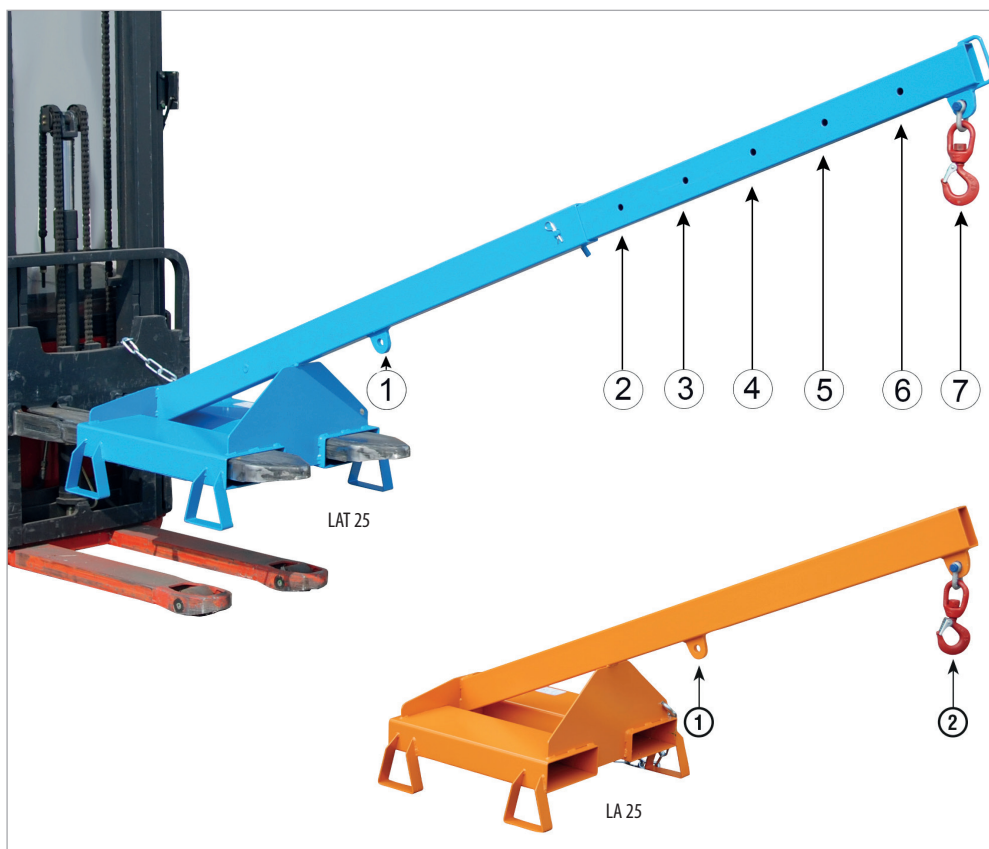
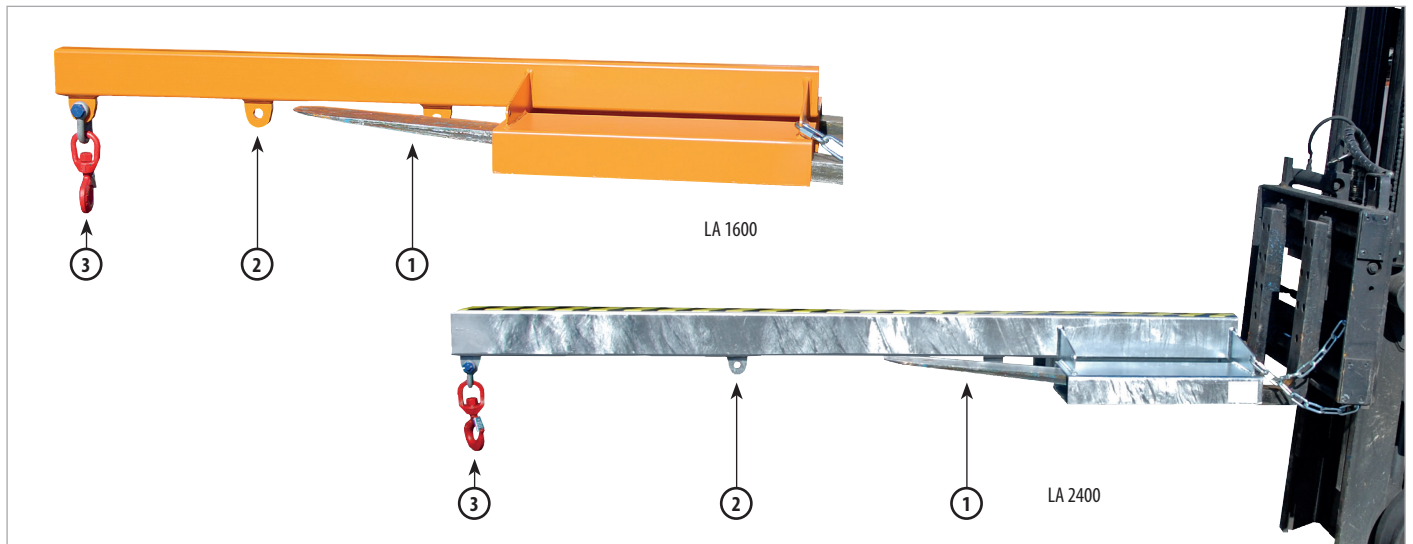


LOADING ARMS TYPE LA / LAT



A loading arm increases the reach of the forklift truck

- steel construction
- fork sleeves for pick-up by a forklift
- also suitable for straddle stackers
- secured by chain to prevent slipping
- 1 swivel hook

Types available

LA 1600/2400

- rigid construction

LA 25

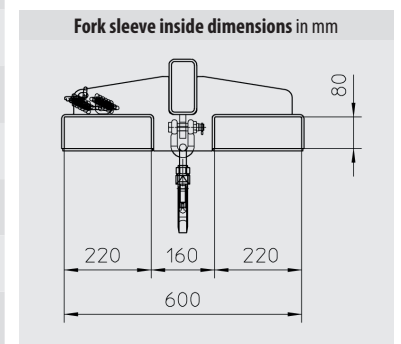
- rigid construction
- inclination 25°
- with support legs, 100 mm ground leeway

LAT 25

- inclination 25°
- extensible, can be fixed in each position using the pin provided
- with support legs, 100 mm ground leeway

	Basic length in mm	Position	①	②	③	④	⑤	⑥	⑦	Weight in kg paint./galv.
LA 1600-1,0	1600	distance in mm	780	1165	1550					46 / 50
		max. load in kg	1000	350	200					
LA 2400-1,0	2400	distance in mm	780	1565	2350					53 / 57
		max. load in kg	1000	200	100					
LA 1600-2,5	1600	distance in mm	780	1165	1550					79 / 85
		max. load in kg	2500	850	500					
LA 2400-2,5	2400	distance in mm	780	1565	2350					94 / 101
		max. load in kg	2500	500	250					
LA 1600-5,0	1600	distance in mm	780	1165	1550					112 / 120
		max. load in kg	5000	1700	1000					
LA 2400-5,0	2400	distance in mm	780	1565	2350					132 / 142
		max. load in kg	5000	1000	500					
LA 25-1,0	1600	distance in mm	875	1600						51 / 54
		max. load in kg	1000	300						
LAT 25-1,0	1600	distance in mm	875	1600	1780	1960	2140	2320	2500	62 / 67
		max. load in kg	1000	300	225	200	175	150	125	

Remember to check the load capacity of the forklift truck in question!



Finish:

RAL 2000

RAL 3000

RAL 5012

RAL 6011

RAL 7005

hot-dip galvanized