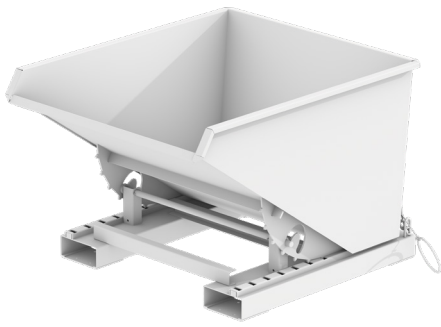


...made by



PRICE LIST 0424 EN-CZ

FORKLIFT TRUCK ATTACHMENTS

WORKSPACE MATERIAL HANDLING

ENVIRONMENT / STORAGE

HAZARDOUS MATERIALS CONTAINERS

INNOVATION – CONSTRUCTION – PRODUCTION

... for more than 55 years

Price List 0424 en-CZ Forklift Truck Attachments

Drum Gripper Type 3P	Category	Price	Freight charges	Price including freight charges
3P, painted	B	910,-	88,-	998,-
3P, hot-dip galvanized	B	956,-	88,-	1044,-

Tilting Container Type 3S	Category	Price	Freight charges	Price including freight charges
3S 300, painted	A	1201,-	122,-	1323,-
Lid, galvanized	A	168,-	18,-	186,-
Castor Set, polyamide, Load capacity 1050 kg / castor set	A	131,-	15,-	146,-
3S 300, hot-dip galvanized	A	1296,-	172,-	1468,-
Lid, galvanized	A	168,-	18,-	186,-
Castor Set, polyamide, Load capacity 1050 kg / castor set	A	131,-	15,-	146,-
3S 600, painted	A	1256,-	172,-	1428,-
Lid, galvanized	A	189,-	22,-	211,-
Castor Set, polyamide, Load capacity 1050 kg / castor set	A	131,-	15,-	146,-
3S 600, hot-dip galvanized	A	1354,-	172,-	1526,-
Lid, galvanized	A	189,-	22,-	211,-
Castor Set, polyamide, Load capacity 1050 kg / castor set	A	131,-	15,-	146,-

Automatic Tilting Container Type 4A	Category	Price	Freight charges	Price including freight charges
4A 600, painted	A	1065,-	122,-	1187,-
Lid, galvanized	A	189,-	22,-	211,-
Skip Body Welded Oil and Watertight	A	75,-	0,-	75,-
4A 600, hot-dip galvanized	A	1207,-	122,-	1329,-
Lid, galvanized	A	189,-	22,-	211,-
Skip Body Welded Oil and Watertight	A	75,-	0,-	75,-
4A 900, painted	A	1197,-	172,-	1369,-
Lid, galvanized	A	215,-	27,-	242,-
Skip Body Welded Oil and Watertight	A	75,-	0,-	75,-
4A 900, hot-dip galvanized	A	1375,-	172,-	1547,-
Lid, galvanized	A	215,-	27,-	242,-
Skip Body Welded Oil and Watertight	A	75,-	0,-	75,-
4A 1200, painted	A	1282,-	172,-	1454,-
Lid, galvanized	A	215,-	26,-	241,-
Skip Body Welded Oil and Watertight	A	116,-	0,-	116,-
4A 1200, hot-dip galvanized	A	1505,-	172,-	1677,-
Lid, galvanized	A	215,-	26,-	241,-
Skip Body Welded Oil and Watertight	A	116,-	0,-	116,-

Drum Gripper Type 4P	Category	Price	Freight charges	Price including freight charges
4P, painted	B	558,-	32,-	590,-
4P, hot-dip galvanized	B	532,-	32,-	564,-

Prices in EUR, valid EXW DE-46354 Südlohn, DE-38820 Halberstadt, unpacked
Freight charges valid CPT Czech Republic, islands and oversea territories excluded

Price List 0424 en-CZ

Forklift Truck Attachments



Drum Gripper Type 4P-D	Category	Price	Freight charges	Price including freight charges
4P-D120, painted	B	558,-	32,-	590,-
4P-D120, hot-dip galvanized	B	532,-	32,-	564,-
4P-D220, painted	B	558,-	32,-	590,-
4P-D220, hot-dip galvanized	B	532,-	32,-	564,-

Tilting Container Type AK	Category	Price	Freight charges	Price including freight charges
AK 50, painted	A	774,-	122,-	896,-
Lid, galvanized	A	135,-	16,-	151,-
Castor Set, polyamide, Load capacity 1050 kg / castor set	A	131,-	15,-	146,-
Skip Body Welded Oil and Watertight	A	75,-	0,-	75,-
AK 50, hot-dip galvanized	A	923,-	122,-	1045,-
Lid, galvanized	A	135,-	16,-	151,-
Castor Set, polyamide, Load capacity 1050 kg / castor set	A	131,-	15,-	146,-
Skip Body Welded Oil and Watertight	A	75,-	0,-	75,-
AK 75, painted	A	866,-	122,-	988,-
Lid, galvanized	A	185,-	21,-	206,-
Castor Set, polyamide, Load capacity 1050 kg / castor set	A	131,-	15,-	146,-
Skip Body Welded Oil and Watertight	A	75,-	0,-	75,-
AK 75, hot-dip galvanized	A	1012,-	172,-	1184,-
Lid, galvanized	A	185,-	21,-	206,-
Castor Set, polyamide, Load capacity 1050 kg / castor set	A	131,-	15,-	146,-
Skip Body Welded Oil and Watertight	A	75,-	0,-	75,-
AK 100, painted	A	937,-	172,-	1109,-
Lid, galvanized	A	210,-	26,-	236,-
Castor Set, polyamide, Load capacity 1050 kg / castor set	A	131,-	15,-	146,-
Skip Body Welded Oil and Watertight	A	116,-	0,-	116,-
AK 100, hot-dip galvanized	A	1094,-	172,-	1266,-
Lid, galvanized	A	210,-	26,-	236,-
Castor Set, polyamide, Load capacity 1050 kg / castor set	A	131,-	15,-	146,-
Skip Body Welded Oil and Watertight	A	116,-	0,-	116,-
AK 150, painted	A	1196,-	172,-	1368,-
Lid, galvanized	A	294,-	28,-	322,-
Castor Set, polyamide, Load capacity 1050 kg / castor set	A	131,-	15,-	146,-
Skip Body Welded Oil and Watertight	A	116,-	0,-	116,-
AK 150, hot-dip galvanized	A	1399,-	172,-	1571,-
Lid, galvanized	A	294,-	28,-	322,-
Castor Set, polyamide, Load capacity 1050 kg / castor set	A	131,-	15,-	146,-
Skip Body Welded Oil and Watertight	A	116,-	0,-	116,-

Container for Building Materials Type BBG	Category	Price	Freight charges	Price including freight charges
BBG 100, painted	A	391,-	122,-	513,-
Lid, galvanized	A	182,-	88,-	270,-
BBG 100, hot-dip galvanized	A	479,-	122,-	601,-
Lid, galvanized	A	182,-	88,-	270,-

Prices in EUR, valid EXW DE-46354 Südlohn, DE-38820 Halberstadt, unpacked
 Freight charges valid CPT Czech Republic, islands and oversea territories excluded

Price List 0424 en-CZ

Forklift Truck Attachments



Container for Building Materials Type BBK	Category	Price	Freight charges	Price including freight charges
BBK 100, painted	A	479,-	122,-	601,-
Lid, galvanized	A	182,-	88,-	270,-
BBK 100, hot-dip galvanized	A	551,-	122,-	673,-
Lid, galvanized	A	182,-	88,-	270,-
Material Container Type BBM	Category	Price	Freight charges	Price including freight charges
BBM 500, painted	A	314,-	88,-	402,-
BBM 500, hot-dip galvanized	A	346,-	88,-	434,-
Container for Building Materials Type BBP	Category	Price	Freight charges	Price including freight charges
BBP 100, painted	A	418,-	88,-	506,-
Lid, galvanized	A	182,-	88,-	270,-
Pick-up cones (pins) and angle iron traverse lock	A	49,-	10,-	59,-
BBP 100, hot-dip galvanized	A	493,-	88,-	581,-
Lid, galvanized	A	182,-	88,-	270,-
Pick-up cones (pins) and angle iron traverse lock	A	49,-	10,-	59,-
Tilting Traverse for Containers for Building Material Containers Type BBT	Category	Price	Freight charges	Price including freight charges
BBT, painted	A	551,-	122,-	673,-
BBT, hot-dip galvanized	A	627,-	122,-	749,-
Building Materials Container Type BC	Category	Price	Freight charges	Price including freight charges
BC 500, painted	B	924,-	122,-	1046,-
Lid, galvanized	B	138,-	16,-	154,-
Castor Set, polyamide, Load capacity 1350 kg / castor set	A	185,-	15,-	200,-
BC 500, hot-dip galvanized	B	1139,-	172,-	1311,-
Lid, galvanized	B	138,-	16,-	154,-
Castor Set, polyamide, Load capacity 1350 kg / castor set	A	185,-	15,-	200,-
BC 500 (brick clamp operated), painted	B	991,-	122,-	1113,-
Lid, galvanized	B	138,-	16,-	154,-
Castor Set, polyamide, Load capacity 1350 kg / castor set	A	185,-	15,-	200,-
BC 500 (brick clamp operated), hot-dip galvanized	B	1207,-	172,-	1379,-
Lid, galvanized	B	138,-	16,-	154,-
Castor Set, polyamide, Load capacity 1350 kg / castor set	A	185,-	15,-	200,-
BC 1000, painted	B	1007,-	172,-	1179,-
Lid, galvanized	B	138,-	16,-	154,-
Castor Set, polyamide, Load capacity 1350 kg / castor set	A	185,-	15,-	200,-
BC 1000, hot-dip galvanized	B	1271,-	172,-	1443,-
Lid, galvanized	B	138,-	16,-	154,-
Castor Set, polyamide, Load capacity 1350 kg / castor set	A	185,-	15,-	200,-
BC 1000 (brick clamp operated), painted	B	1073,-	172,-	1245,-
Lid, galvanized	B	138,-	16,-	154,-
Castor Set, polyamide, Load capacity 1350 kg / castor set	A	185,-	15,-	200,-
BC 1000 (brick clamp operated), hot-dip galvanized	B	1339,-	172,-	1511,-
Lid, galvanized	B	138,-	16,-	154,-

Prices in EUR, valid EXW DE-46354 Südlohn, DE-38820 Halberstadt, unpacked
Freight charges valid CPT Czech Republic, islands and oversea territories excluded

Price List 0424 en-CZ

Forklift Truck Attachments



Building Materials Container Type BC	Category	Price	Freight charges	Price including freight charges
Castor Set, polyamide, Load capacity 1350 kg / castor set	A	185,-	15,-	200,-
Tilting Container Type BK	Category	Price	Freight charges	Price including freight charges
BK 30, painted	A	676,-	122,-	798,-
Lid, galvanized	A	94,-	18,-	112,-
Castor Set, polyamide, Load capacity 1350 kg / castor set	A	185,-	15,-	200,-
Castor Set, polyamide, Load capacity 2550 kg / castor set	A	366,-	15,-	381,-
Skip Body Welded Oil and Watertight	A	75,-	0,-	75,-
BK 30, hot-dip galvanized	A	950,-	122,-	1072,-
Lid, galvanized	A	94,-	18,-	112,-
Castor Set, polyamide, Load capacity 1350 kg / castor set	A	185,-	15,-	200,-
Castor Set, polyamide, Load capacity 2550 kg / castor set	A	366,-	15,-	381,-
Skip Body Welded Oil and Watertight	A	75,-	0,-	75,-
BK 50, painted	A	950,-	122,-	1072,-
Lid, galvanized	A	94,-	20,-	114,-
Castor Set, polyamide, Load capacity 1350 kg / castor set	A	185,-	15,-	200,-
Castor Set, polyamide, Load capacity 2550 kg / castor set	A	366,-	15,-	381,-
Skip Body Welded Oil and Watertight	A	75,-	0,-	75,-
BK 50, hot-dip galvanized	A	1282,-	172,-	1454,-
Lid, galvanized	A	94,-	20,-	114,-
Castor Set, polyamide, Load capacity 1350 kg / castor set	A	185,-	15,-	200,-
Castor Set, polyamide, Load capacity 2550 kg / castor set	A	366,-	15,-	381,-
Skip Body Welded Oil and Watertight	A	75,-	0,-	75,-
BK 80, painted	A	1253,-	172,-	1425,-
Lid, galvanized	A	139,-	22,-	161,-
Castor Set, polyamide, Load capacity 1350 kg / castor set	A	185,-	15,-	200,-
Castor Set, polyamide, Load capacity 2550 kg / castor set	A	366,-	15,-	381,-
Skip Body Welded Oil and Watertight	A	75,-	0,-	75,-
BK 80, hot-dip galvanized	A	1752,-	172,-	1924,-
Lid, galvanized	A	139,-	22,-	161,-
Castor Set, polyamide, Load capacity 1350 kg / castor set	A	185,-	15,-	200,-
Castor Set, polyamide, Load capacity 2550 kg / castor set	A	366,-	15,-	381,-
Skip Body Welded Oil and Watertight	A	75,-	0,-	75,-
BK 100, painted	A	1457,-	172,-	1629,-
Lid, galvanized	A	167,-	27,-	194,-
Castor Set, polyamide, Load capacity 1350 kg / castor set	A	185,-	15,-	200,-
Castor Set, polyamide, Load capacity 2550 kg / castor set	A	366,-	15,-	381,-
Skip Body Welded Oil and Watertight	A	116,-	0,-	116,-
BK 100, hot-dip galvanized	A	2000,-	172,-	2172,-
Lid, galvanized	A	167,-	27,-	194,-
Castor Set, polyamide, Load capacity 1350 kg / castor set	A	185,-	15,-	200,-
Castor Set, polyamide, Load capacity 2550 kg / castor set	A	366,-	15,-	381,-
Skip Body Welded Oil and Watertight	A	116,-	0,-	116,-
BK 120, painted	A	1584,-	172,-	1756,-
Lid, galvanized	A	177,-	32,-	209,-
Castor Set, polyamide, Load capacity 1350 kg / castor set	A	185,-	15,-	200,-

Prices in EUR, valid EXW DE-46354 Südlohn, DE-38820 Halberstadt, unpacked
Freight charges valid CPT Czech Republic, islands and oversea territories excluded

Price List 0424 en-CZ

Forklift Truck Attachments



Tilting Container Type BK	Category	Price	Freight charges	Price including freight charges
Castor Set, polyamide, Load capacity 2550 kg / castor set	A	366,-	15,-	381,-
Skip Body Welded Oil and Watertight	A	116,-	0,-	116,-
BK 120, hot-dip galvanized	A	2159,-	172,-	2331,-
Lid, galvanized	A	177,-	32,-	209,-
Castor Set, polyamide, Load capacity 1350 kg / castor set	A	185,-	15,-	200,-
Castor Set, polyamide, Load capacity 2550 kg / castor set	A	366,-	15,-	381,-
Skip Body Welded Oil and Watertight	A	116,-	0,-	116,-
BK 150, painted	A	1740,-	217,-	1957,-
Lid, galvanized	A	203,-	39,-	242,-
Castor Set, polyamide, Load capacity 1350 kg / castor set	A	185,-	15,-	200,-
Castor Set, polyamide, Load capacity 2550 kg / castor set	A	366,-	15,-	381,-
Skip Body Welded Oil and Watertight	A	116,-	0,-	116,-
BK 150, hot-dip galvanized	A	2361,-	217,-	2578,-
Lid, galvanized	A	203,-	39,-	242,-
Castor Set, polyamide, Load capacity 1350 kg / castor set	A	185,-	15,-	200,-
Castor Set, polyamide, Load capacity 2550 kg / castor set	A	366,-	15,-	381,-
Skip Body Welded Oil and Watertight	A	116,-	0,-	116,-
BK 200, painted	A	2164,-	217,-	2381,-
Lid, galvanized	A	215,-	88,-	303,-
Castor Set, polyamide, Load capacity 1350 kg / castor set	A	185,-	15,-	200,-
Castor Set, polyamide, Load capacity 2550 kg / castor set	A	366,-	15,-	381,-
Skip Body Welded Oil and Watertight	A	116,-	0,-	116,-
BK 200, hot-dip galvanized	A	2948,-	287,-	3235,-
Lid, galvanized	A	215,-	88,-	303,-
Castor Set, polyamide, Load capacity 1350 kg / castor set	A	185,-	15,-	200,-
Castor Set, polyamide, Load capacity 2550 kg / castor set	A	366,-	15,-	381,-
Skip Body Welded Oil and Watertight	A	116,-	0,-	116,-
Container With Drop Away Base Type BKB	Category	Price	Freight charges	Price including freight charges
BKB 500, painted	A	737,-	122,-	859,-
Lid, galvanized	A	189,-	18,-	207,-
Castor Set, polyamide, Load capacity 1350 kg / castor set	A	185,-	15,-	200,-
BKB 500, hot-dip galvanized	A	876,-	122,-	998,-
Lid, galvanized	A	189,-	18,-	207,-
Castor Set, polyamide, Load capacity 1350 kg / castor set	A	185,-	15,-	200,-
BKB 700, painted	A	788,-	122,-	910,-
Lid, galvanized	A	189,-	18,-	207,-
Castor Set, polyamide, Load capacity 1350 kg / castor set	A	185,-	15,-	200,-
BKB 700, hot-dip galvanized	A	927,-	122,-	1049,-
Lid, galvanized	A	189,-	18,-	207,-
Castor Set, polyamide, Load capacity 1350 kg / castor set	A	185,-	15,-	200,-
BKB 1000, painted	A	835,-	122,-	957,-
Lid, galvanized	A	189,-	18,-	207,-
Castor Set, polyamide, Load capacity 1350 kg / castor set	A	185,-	15,-	200,-
BKB 1000, hot-dip galvanized	A	994,-	122,-	1116,-
Lid, galvanized	A	189,-	18,-	207,-

Prices in EUR, valid EXW DE-46354 Südlohn, DE-38820 Halberstadt, unpacked
Freight charges valid CPT Czech Republic, islands and oversea territories excluded

Price List 0424 en-CZ

Forklift Truck Attachments



Container With Drop Away Base Type BKB	Category	Price	Freight charges	Price including freight charges
Castor Set, polyamide, Load capacity 1350 kg / castor set	A	185,-	15,-	200,-

Tilting Container Type BKC	Category	Price	Freight charges	Price including freight charges
BKC 200, painted	A	2229,-	287,-	2516,-
Lid, galvanized	A	434,-	88,-	522,-
Skip Body Welded Oil and Watertight	A	116,-	0,-	116,-
BKC 200, hot-dip galvanized	A	2984,-	287,-	3271,-
Lid, galvanized	A	434,-	88,-	522,-
Skip Body Welded Oil and Watertight	A	116,-	0,-	116,-
BKC 300, painted	A	2471,-	287,-	2758,-
Lid, galvanized	A	434,-	88,-	522,-
Skip Body Welded Oil and Watertight	A	116,-	0,-	116,-
BKC 300, hot-dip galvanized	A	3253,-	287,-	3540,-
Lid, galvanized	A	434,-	88,-	522,-
Skip Body Welded Oil and Watertight	A	116,-	0,-	116,-
BKC 400, painted	A	3043,-	287,-	3330,-
Lid, galvanized	A	434,-	122,-	556,-
Skip Body Welded Oil and Watertight	A	116,-	0,-	116,-
BKC 400, hot-dip galvanized	A	3929,-	374,-	4303,-
Lid, galvanized	A	434,-	122,-	556,-
Skip Body Welded Oil and Watertight	A	116,-	0,-	116,-
BKC 500, painted	A	3535,-	374,-	3909,-
Lid, galvanized	A	434,-	122,-	556,-
Skip Body Welded Oil and Watertight	A	116,-	0,-	116,-
BKC 500, hot-dip galvanized	A	4484,-	374,-	4858,-
Lid, galvanized	A	434,-	122,-	556,-
Skip Body Welded Oil and Watertight	A	116,-	0,-	116,-

Tilting Container Type BKC-H	Category	Price	Freight charges	Price including freight charges
BKC-H 200, painted	A	3306,-	287,-	3593,-
Skip Body Welded Oil and Watertight	A	116,-	0,-	116,-
Lid, galvanized	A	434,-	88,-	522,-
BKC-H 200, hot-dip galvanized	A	4061,-	287,-	4348,-
Lid, galvanized	A	434,-	88,-	522,-
Skip Body Welded Oil and Watertight	A	116,-	0,-	116,-
BKC-H 300, painted	A	3548,-	287,-	3835,-
Skip Body Welded Oil and Watertight	A	116,-	0,-	116,-
Lid, galvanized	A	434,-	88,-	522,-
BKC-H 300, hot-dip galvanized	A	4331,-	287,-	4618,-
Lid, galvanized	A	434,-	88,-	522,-
Skip Body Welded Oil and Watertight	A	116,-	0,-	116,-
BKC-H 400, painted	A	4120,-	287,-	4407,-
Lid, galvanized	A	434,-	122,-	556,-
Skip Body Welded Oil and Watertight	A	116,-	0,-	116,-
BKC-H 400, hot-dip galvanized	A	5006,-	374,-	5380,-

Prices in EUR, valid EXW DE-46354 Südlohn, DE-38820 Halberstadt, unpacked
 Freight charges valid CPT Czech Republic, islands and oversea territories excluded

Price List 0424 en-CZ

Forklift Truck Attachments



Tilting Container Type BKC-H	Category	Price	Freight charges	Price including freight charges
Lid, galvanized	A	434,-	122,-	556,-
Skip Body Welded Oil and Watertight	A	116,-	0,-	116,-
BKC-H 500, painted	A	4612,-	374,-	4986,-
Lid, galvanized	A	434,-	122,-	556,-
Skip Body Welded Oil and Watertight	A	116,-	0,-	116,-
BKC-H 500, hot-dip galvanized	A	5561,-	374,-	5935,-
Skip Body Welded Oil and Watertight	A	116,-	0,-	116,-
Lid, galvanized	A	434,-	122,-	556,-

Tilting Container Type BKM	Category	Price	Freight charges	Price including freight charges
BKM 30, painted	A	676,-	122,-	798,-
Lid, galvanized	A	100,-	18,-	118,-
Castor Set, polyamide, Load capacity 1350 kg / castor set	A	185,-	15,-	200,-
Castor Set, polyamide, Load capacity 2550 kg / castor set	A	366,-	15,-	381,-
Skip Body Welded Oil and Watertight	A	75,-	0,-	75,-
BKM 30, hot-dip galvanized	A	950,-	122,-	1072,-
Lid, galvanized	A	100,-	18,-	118,-
Castor Set, polyamide, Load capacity 1350 kg / castor set	A	185,-	15,-	200,-
Castor Set, polyamide, Load capacity 2550 kg / castor set	A	366,-	15,-	381,-
Skip Body Welded Oil and Watertight	A	75,-	0,-	75,-
BKM 50, painted	A	950,-	122,-	1072,-
Lid, galvanized	A	125,-	21,-	146,-
Castor Set, polyamide, Load capacity 1350 kg / castor set	A	185,-	15,-	200,-
Castor Set, polyamide, Load capacity 2550 kg / castor set	A	366,-	15,-	381,-
Skip Body Welded Oil and Watertight	A	75,-	0,-	75,-
BKM 50, hot-dip galvanized	A	1282,-	122,-	1404,-
Lid, galvanized	A	125,-	21,-	146,-
Castor Set, polyamide, Load capacity 1350 kg / castor set	A	185,-	15,-	200,-
Castor Set, polyamide, Load capacity 2550 kg / castor set	A	366,-	15,-	381,-
Skip Body Welded Oil and Watertight	A	75,-	0,-	75,-
BKM 75, painted	A	1203,-	172,-	1375,-
Lid, galvanized	A	137,-	22,-	159,-
Castor Set, polyamide, Load capacity 1350 kg / castor set	A	185,-	15,-	200,-
Castor Set, polyamide, Load capacity 2550 kg / castor set	A	366,-	15,-	381,-
Skip Body Welded Oil and Watertight	A	75,-	0,-	75,-
BKM 75, hot-dip galvanized	A	1615,-	172,-	1787,-
Lid, galvanized	A	137,-	22,-	159,-
Castor Set, polyamide, Load capacity 1350 kg / castor set	A	185,-	15,-	200,-
Castor Set, polyamide, Load capacity 2550 kg / castor set	A	366,-	15,-	381,-
Skip Body Welded Oil and Watertight	A	75,-	0,-	75,-
BKM 100, painted	A	1457,-	172,-	1629,-
Lid, galvanized	A	178,-	27,-	205,-
Castor Set, polyamide, Load capacity 1350 kg / castor set	A	185,-	15,-	200,-
Castor Set, polyamide, Load capacity 2550 kg / castor set	A	366,-	15,-	381,-
Skip Body Welded Oil and Watertight	A	116,-	0,-	116,-
BKM 100, hot-dip galvanized	A	2000,-	172,-	2172,-

Prices in EUR, valid EXW DE-46354 Südlohn, DE-38820 Halberstadt, unpacked
Freight charges valid CPT Czech Republic, islands and oversea territories excluded

Price List 0424 en-CZ

Forklift Truck Attachments



Tilting Container Type BKM	Category	Price	Freight charges	Price including freight charges
Lid, galvanized	A	178,-	27,-	205,-
Castor Set, polyamide, Load capacity 1350 kg / castor set	A	185,-	15,-	200,-
Castor Set, polyamide, Load capacity 2550 kg / castor set	A	366,-	15,-	381,-
Skip Body Welded Oil and Watertight	A	116,-	0,-	116,-
BKM 150, painted	A	1740,-	217,-	1957,-
Lid, galvanized	A	261,-	36,-	297,-
Castor Set, polyamide, Load capacity 1350 kg / castor set	A	185,-	15,-	200,-
Castor Set, polyamide, Load capacity 2550 kg / castor set	A	366,-	15,-	381,-
Skip Body Welded Oil and Watertight	A	116,-	0,-	116,-
BKM 150, hot-dip galvanized	A	2361,-	217,-	2578,-
Lid, galvanized	A	261,-	36,-	297,-
Castor Set, polyamide, Load capacity 1350 kg / castor set	A	185,-	15,-	200,-
Castor Set, polyamide, Load capacity 2550 kg / castor set	A	366,-	15,-	381,-
Skip Body Welded Oil and Watertight	A	116,-	0,-	116,-
BKM 200, painted	A	2164,-	217,-	2381,-
Lid, galvanized	A	291,-	88,-	379,-
Castor Set, polyamide, Load capacity 1350 kg / castor set	A	185,-	15,-	200,-
Castor Set, polyamide, Load capacity 2550 kg / castor set	A	366,-	15,-	381,-
Skip Body Welded Oil and Watertight	A	116,-	0,-	116,-
BKM 200, hot-dip galvanized	A	2948,-	287,-	3235,-
Lid, galvanized	A	291,-	88,-	379,-
Castor Set, polyamide, Load capacity 1350 kg / castor set	A	185,-	15,-	200,-
Castor Set, polyamide, Load capacity 2550 kg / castor set	A	366,-	15,-	381,-
Skip Body Welded Oil and Watertight	A	116,-	0,-	116,-
Traverse For Stacking Tipper Type BKT	Category	Price	Freight charges	Price including freight charges
BKT 30, painted	A	355,-	122,-	477,-
Traverse Stand Type TS, hot-dip galvanized	A	75,-	8,-	83,-
BKT 55, painted	A	376,-	122,-	498,-
Traverse Stand Type TS, hot-dip galvanized	A	75,-	9,-	84,-
BKT 70, painted	A	376,-	122,-	498,-
Traverse Stand Type TS, hot-dip galvanized	A	75,-	9,-	84,-
BKT 90, painted	A	378,-	122,-	500,-
Traverse Stand Type TS, hot-dip galvanized	A	75,-	9,-	84,-
BKT 150, painted	A	609,-	122,-	731,-
Traverse Stand Type TS, hot-dip galvanized	A	75,-	9,-	84,-
BKT 200, painted	A	672,-	122,-	794,-
Traverse Stand Type TS, hot-dip galvanized	A	75,-	9,-	84,-
Shovel Type BSE	Category	Price	Freight charges	Price including freight charges
BSE 50, painted	A	1435,-	172,-	1607,-
BSE 75, painted	A	1709,-	172,-	1881,-
BSE 100, painted	A	2143,-	217,-	2360,-
BSE 150, painted	A	2422,-	217,-	2639,-
BSE 200, painted	A	2691,-	287,-	2978,-

Prices in EUR, valid EXW DE-46354 Südlohn, DE-38820 Halberstadt, unpacked
Freight charges valid CPT Czech Republic, islands and oversea territories excluded

Price List 0424 en-CZ

Forklift Truck Attachments



Shovel Type BSE	Category	Price	Freight charges	Price including freight charges
BSE 250, painted	A	3316,-	337,-	3653,-
Shovel Type BSI	Category	Price	Freight charges	Price including freight charges
BSI 50, painted	A	1214,-	122,-	1336,-
BSI 75, painted	A	1375,-	172,-	1547,-
BSI 100, painted	A	1725,-	172,-	1897,-
Stacking Tipper Type BSK	Category	Price	Freight charges	Price including freight charges
BSK 30, painted	A	256,-	88,-	344,-
Lid, galvanized	A	66,-	12,-	78,-
Castor Set, polyamide, Load capacity 1350 kg / castor set	A	185,-	15,-	200,-
Skip Body Welded Oil and Watertight	A	75,-	0,-	75,-
Set of 5 self-adhesive stickers with symbols for: glass, paper, plastic, metal, residual waste	A	28,-	on request	on request
BSK 30, hot-dip galvanized	A	309,-	88,-	397,-
Lid, galvanized	A	66,-	12,-	78,-
Castor Set, polyamide, Load capacity 1350 kg / castor set	A	185,-	15,-	200,-
Skip Body Welded Oil and Watertight	A	75,-	0,-	75,-
Set of 5 self-adhesive stickers with symbols for: glass, paper, plastic, metal, residual waste	A	28,-	on request	on request
BSK 55, painted	A	320,-	88,-	408,-
Lid, galvanized	A	94,-	15,-	109,-
Castor Set, polyamide, Load capacity 1350 kg / castor set	A	185,-	15,-	200,-
Skip Body Welded Oil and Watertight	A	75,-	0,-	75,-
Set of 5 self-adhesive stickers with symbols for: glass, paper, plastic, metal, residual waste	A	28,-	on request	on request
BSK 55, hot-dip galvanized	A	391,-	88,-	479,-
Lid, galvanized	A	94,-	15,-	109,-
Castor Set, polyamide, Load capacity 1350 kg / castor set	A	185,-	15,-	200,-
Skip Body Welded Oil and Watertight	A	75,-	0,-	75,-
Set of 5 self-adhesive stickers with symbols for: glass, paper, plastic, metal, residual waste	A	28,-	on request	on request
BSK 70, painted	A	340,-	88,-	428,-
Lid, galvanized	A	117,-	15,-	132,-
Castor Set, polyamide, Load capacity 1350 kg / castor set	A	185,-	15,-	200,-
Skip Body Welded Oil and Watertight	A	75,-	0,-	75,-
Set of 5 self-adhesive stickers with symbols for: glass, paper, plastic, metal, residual waste	A	28,-	on request	on request
BSK 70, hot-dip galvanized	A	441,-	88,-	529,-
Lid, galvanized	A	117,-	15,-	132,-
Castor Set, polyamide, Load capacity 1350 kg / castor set	A	185,-	15,-	200,-
Skip Body Welded Oil and Watertight	A	75,-	0,-	75,-
Set of 5 self-adhesive stickers with symbols for: glass, paper, plastic, metal, residual waste	A	28,-	on request	on request
BSK 90, painted	A	366,-	88,-	454,-
Lid, galvanized	A	160,-	18,-	178,-
Castor Set, polyamide, Load capacity 1350 kg / castor set	A	185,-	15,-	200,-
Skip Body Welded Oil and Watertight	A	75,-	0,-	75,-
Set of 5 self-adhesive stickers with symbols for: glass, paper, plastic, metal, residual waste	A	28,-	on request	on request
BSK 90, hot-dip galvanized	A	470,-	122,-	592,-
Lid, galvanized	A	160,-	18,-	178,-

Prices in EUR, valid EXW DE-46354 Südlohn, DE-38820 Halberstadt, unpacked
Freight charges valid CPT Czech Republic, islands and oversea territories excluded

Price List 0424 en-CZ

Forklift Truck Attachments



Stacking Tipper Type BSK	Category	Price	Freight charges	Price including freight charges
Castor Set, polyamide, Load capacity 1350 kg / castor set	A	185,-	15,-	200,-
Skip Body Welded Oil and Watertight	A	75,-	0,-	75,-
Set of 5 self-adhesive stickers with symbols for: glass, paper, plastic, metal, residual waste	A	28,-	on request	on request
BSK 150, painted	A	841,-	122,-	963,-
Lid, galvanized	A	215,-	21,-	236,-
Castor Set, polyamide, Load capacity 1350 kg / castor set	A	185,-	15,-	200,-
Skip Body Welded Oil and Watertight	A	116,-	0,-	116,-
Set of 5 self-adhesive stickers with symbols for: glass, paper, plastic, metal, residual waste	A	28,-	on request	on request
BSK 150, hot-dip galvanized	A	984,-	122,-	1106,-
Lid, galvanized	A	215,-	21,-	236,-
Castor Set, polyamide, Load capacity 1350 kg / castor set	A	185,-	15,-	200,-
Skip Body Welded Oil and Watertight	A	116,-	0,-	116,-
Set of 5 self-adhesive stickers with symbols for: glass, paper, plastic, metal, residual waste	A	28,-	on request	on request
BSK 200, painted	A	902,-	122,-	1024,-
Lid, galvanized	A	274,-	26,-	300,-
Castor Set, polyamide, Load capacity 1350 kg / castor set	A	185,-	15,-	200,-
Skip Body Welded Oil and Watertight	A	116,-	0,-	116,-
Set of 5 self-adhesive stickers with symbols for: glass, paper, plastic, metal, residual waste	A	28,-	on request	on request
BSK 200, hot-dip galvanized	A	1129,-	122,-	1251,-
Lid, galvanized	A	274,-	26,-	300,-
Castor Set, polyamide, Load capacity 1350 kg / castor set	A	185,-	15,-	200,-
Skip Body Welded Oil and Watertight	A	116,-	0,-	116,-
Set of 5 self-adhesive stickers with symbols for: glass, paper, plastic, metal, residual waste	A	28,-	on request	on request
Lattice Tilting Container Type BSK-G	Category	Price	Freight charges	Price including freight charges
BSK-G 90, painted	A	332,-	88,-	420,-
Lid, galvanized	A	160,-	18,-	178,-
Castor Set, polyamide, Load capacity 1350 kg / castor set	A	185,-	15,-	200,-
BSK-G 90, hot-dip galvanized	A	404,-	88,-	492,-
Lid, galvanized	A	160,-	18,-	178,-
Castor Set, polyamide, Load capacity 1350 kg / castor set	A	185,-	15,-	200,-
Swarf Stacking Tipper Type BSL	Category	Price	Freight charges	Price including freight charges
BSL 30, painted	A	570,-	88,-	658,-
Lid, galvanized	A	66,-	12,-	78,-
Castor Set, polyamide, Load capacity 1350 kg / castor set	A	185,-	15,-	200,-
BSL 30, hot-dip galvanized	A	656,-	88,-	744,-
Lid, galvanized	A	66,-	12,-	78,-
Castor Set, polyamide, Load capacity 1350 kg / castor set	A	185,-	15,-	200,-
BSL 55, painted	A	701,-	122,-	823,-
Lid, galvanized	A	94,-	15,-	109,-
Castor Set, polyamide, Load capacity 1350 kg / castor set	A	185,-	15,-	200,-
BSL 55, hot-dip galvanized	A	823,-	122,-	945,-
Lid, galvanized	A	94,-	15,-	109,-
Castor Set, polyamide, Load capacity 1350 kg / castor set	A	185,-	15,-	200,-

Prices in EUR, valid EXW DE-46354 Südlohn, DE-38820 Halberstadt, unpacked
Freight charges valid CPT Czech Republic, islands and oversea territories excluded

Price List 0424 en-CZ

Forklift Truck Attachments



Swarf Stacking Tipper Type BSL	Category	Price	Freight charges	Price including freight charges
BSL 70, painted	A	737,-	122,-	859,-
Lid, galvanized	A	117,-	15,-	132,-
Castor Set, polyamide, Load capacity 1350 kg / castor set	A	185,-	15,-	200,-
BSL 70, hot-dip galvanized	A	881,-	122,-	1003,-
Lid, galvanized	A	117,-	15,-	132,-
Castor Set, polyamide, Load capacity 1350 kg / castor set	A	185,-	15,-	200,-
BSL 90, painted	A	801,-	122,-	923,-
Lid, galvanized	A	160,-	18,-	178,-
Castor Set, polyamide, Load capacity 1350 kg / castor set	A	185,-	15,-	200,-
BSL 90, hot-dip galvanized	A	970,-	122,-	1092,-
Lid, galvanized	A	160,-	18,-	178,-
Castor Set, polyamide, Load capacity 1350 kg / castor set	A	185,-	15,-	200,-
BSL 150, painted	A	1185,-	122,-	1307,-
Lid, galvanized	A	215,-	21,-	236,-
Castor Set, polyamide, Load capacity 1350 kg / castor set	A	185,-	15,-	200,-
BSL 150, hot-dip galvanized	A	1439,-	172,-	1611,-
Lid, galvanized	A	215,-	21,-	236,-
Castor Set, polyamide, Load capacity 1350 kg / castor set	A	185,-	15,-	200,-
BSL 200, painted	A	1282,-	172,-	1454,-
Lid, galvanized	A	274,-	26,-	300,-
Castor Set, polyamide, Load capacity 1350 kg / castor set	A	185,-	15,-	200,-
BSL 200, hot-dip galvanized	A	1731,-	172,-	1903,-
Lid, galvanized	A	274,-	26,-	300,-
Castor Set, polyamide, Load capacity 1350 kg / castor set	A	185,-	15,-	200,-

Shovel Type BSM	Category	Price	Freight charges	Price including freight charges
BSM 50, painted	A	1435,-	122,-	1557,-
BSM 75, painted	A	1709,-	172,-	1881,-
BSM 100, painted	A	2143,-	217,-	2360,-
BSM 150, painted	A	2422,-	217,-	2639,-
BSM 200, painted	A	2691,-	287,-	2978,-
BSM 250, painted	A	3316,-	337,-	3653,-

Swarf Stacking Tipper Type BSS	Category	Price	Freight charges	Price including freight charges
BSS 30, painted	A	407,-	88,-	495,-
Lid, galvanized	A	66,-	12,-	78,-
Castor Set, polyamide, Load capacity 1350 kg / castor set	A	185,-	15,-	200,-
BSS 30, hot-dip galvanized	A	473,-	88,-	561,-
Lid, galvanized	A	66,-	12,-	78,-
Castor Set, polyamide, Load capacity 1350 kg / castor set	A	185,-	15,-	200,-
BSS 55, painted	A	505,-	88,-	593,-
Lid, galvanized	A	94,-	15,-	109,-
Castor Set, polyamide, Load capacity 1350 kg / castor set	A	185,-	15,-	200,-
BSS 55, hot-dip galvanized	A	626,-	88,-	714,-
Lid, galvanized	A	94,-	15,-	109,-

Prices in EUR, valid EXW DE-46354 Südlohn, DE-38820 Halberstadt, unpacked
 Freight charges valid CPT Czech Republic, islands and oversea territories excluded

Price List 0424 en-CZ

Forklift Truck Attachments



Swarf Stacking Tipper Type BSS	Category	Price	Freight charges	Price including freight charges
Castor Set, polyamide, Load capacity 1350 kg / castor set	A	185,-	15,-	200,-
BSS 70, painted	A	542,-	88,-	630,-
Lid, galvanized	A	117,-	15,-	132,-
Castor Set, polyamide, Load capacity 1350 kg / castor set	A	185,-	15,-	200,-
BSS 70, hot-dip galvanized	A	684,-	122,-	806,-
Lid, galvanized	A	117,-	15,-	132,-
Castor Set, polyamide, Load capacity 1350 kg / castor set	A	185,-	15,-	200,-
BSS 90, painted	A	576,-	122,-	698,-
Lid, galvanized	A	160,-	18,-	178,-
Castor Set, polyamide, Load capacity 1350 kg / castor set	A	185,-	15,-	200,-
BSS 90, hot-dip galvanized	A	739,-	122,-	861,-
Lid, galvanized	A	160,-	18,-	178,-
Castor Set, polyamide, Load capacity 1350 kg / castor set	A	185,-	15,-	200,-
BSS 150, painted	A	876,-	122,-	998,-
Lid, galvanized	A	215,-	21,-	236,-
Castor Set, polyamide, Load capacity 1350 kg / castor set	A	185,-	15,-	200,-
BSS 150, hot-dip galvanized	A	1126,-	122,-	1248,-
Lid, galvanized	A	215,-	21,-	236,-
Castor Set, polyamide, Load capacity 1350 kg / castor set	A	185,-	15,-	200,-
BSS 200, painted	A	989,-	122,-	1111,-
Lid, galvanized	A	274,-	26,-	300,-
Castor Set, polyamide, Load capacity 1350 kg / castor set	A	185,-	15,-	200,-
BSS 200, hot-dip galvanized	A	1324,-	172,-	1496,-
Lid, galvanized	A	274,-	26,-	300,-
Castor Set, polyamide, Load capacity 1350 kg / castor set	A	185,-	15,-	200,-
Traverse For Stacking Tipper Type BST	Category	Price	Freight charges	Price including freight charges
BST 30, painted	A	320,-	88,-	408,-
Traverse Stand Type TS, hot-dip galvanized	A	75,-	8,-	83,-
BST 55, painted	A	342,-	88,-	430,-
Traverse Stand Type TS, hot-dip galvanized	A	75,-	9,-	84,-
BST 70, painted	A	342,-	88,-	430,-
Traverse Stand Type TS, hot-dip galvanized	A	75,-	9,-	84,-
BST 90, painted	A	355,-	88,-	443,-
Traverse Stand Type TS, hot-dip galvanized	A	75,-	9,-	84,-
BST 150, painted	A	532,-	122,-	654,-
Traverse Stand Type TS, hot-dip galvanized	A	75,-	9,-	84,-
BST 200, painted	A	591,-	122,-	713,-
Traverse Stand Type TS, hot-dip galvanized	A	75,-	9,-	84,-
Traverse For Stacking Tipper Type BST-H	Category	Price	Freight charges	Price including freight charges
BST-H 30, painted	A	2055,-	122,-	2177,-
Traverse Stand Type TS, hot-dip galvanized	A	75,-	8,-	83,-
BST-H 55, painted	A	2180,-	122,-	2302,-
Traverse Stand Type TS, hot-dip galvanized	A	75,-	8,-	83,-

Prices in EUR, valid EXW DE-46354 Südlohn, DE-38820 Halberstadt, unpacked
Freight charges valid CPT Czech Republic, islands and oversea territories excluded

Price List 0424 en-CZ

Forklift Truck Attachments



Traverse For Stacking Tipper Type BST-H	Category	Price	Freight charges	Price including freight charges
BST-H 70, painted	A	2180,-	122,-	2302,-
Traverse Stand Type TS, hot-dip galvanized	A	75,-	8,-	83,-
BST-H 90, painted	A	2293,-	122,-	2415,-
Traverse Stand Type TS, hot-dip galvanized	A	75,-	8,-	83,-
BST-H 150, painted	A	2608,-	172,-	2780,-
Traverse Stand Type TS, hot-dip galvanized	A	75,-	9,-	84,-
BST-H 200, painted	A	2871,-	172,-	3043,-
Traverse Stand Type TS, hot-dip galvanized	A	75,-	9,-	84,-

Traverse For Stacking Tipper Type BST-U	Category	Price	Freight charges	Price including freight charges
BST-U 30, painted	A	923,-	122,-	1045,-
BST-U 55, painted	A	985,-	122,-	1107,-
BST-U 70, painted	A	985,-	122,-	1107,-
BST-U 90, painted	A	1011,-	122,-	1133,-

Filling Hopper Type BTM	Category	Price	Freight charges	Price including freight charges
BTM, painted	A	2377,-	217,-	2594,-

Filling Hopper Type BTS	Category	Price	Freight charges	Price including freight charges
BTS, painted	A	2035,-	217,-	2252,-

Bin Type C	Category	Price	Freight charges	Price including freight charges
C 30, painted	A	407,-	88,-	495,-
C 30, hot-dip galvanized	A	447,-	88,-	535,-
C 80, painted	A	586,-	88,-	674,-
C 80, hot-dip galvanized	A	630,-	88,-	718,-

Swarf Bin Type CS	Category	Price	Freight charges	Price including freight charges
CS 30, painted	A	469,-	88,-	557,-
CS 30, hot-dip galvanized	A	514,-	88,-	602,-
CS 80, painted	A	692,-	88,-	780,-
CS 80, hot-dip galvanized	A	740,-	122,-	862,-

Shovel Type DGS	Category	Price	Freight charges	Price including freight charges
DGS 500, painted	A	2565,-	172,-	2737,-
DGS 700, painted	A	2594,-	172,-	2766,-
DGS 950, painted	A	2630,-	217,-	2847,-
DGS 1200, painted	A	2825,-	217,-	3042,-

Tilting Container Type DUO	Category	Price	Freight charges	Price including freight charges
DUO, painted	A	1803,-	172,-	1975,-
Lid, galvanized	A	228,-	27,-	255,-
Castor Set, polyamide, Load capacity 1350 kg / castor set	A	185,-	15,-	200,-
Set of 5 self-adhesive stickers with symbols for: glass, paper, plastic, metal, residual waste	A	28,-	on request	on request

Prices in EUR, valid EXW DE-46354 Südlohn, DE-38820 Halberstadt, unpacked
 Freight charges valid CPT Czech Republic, islands and oversea territories excluded

Price List 0424 en-CZ

Forklift Truck Attachments



Tilting Container Type EXPO®	Category	Price	Freight charges	Price including freight charges
EXPO 150, painted	A	587,-	88,-	675,-
Lid, galvanized	A	168,-	18,-	186,-
Castor Set, polyamide, Load capacity 1050 kg / castor set	A	150,-	15,-	165,-
Skip Body Welded Oil and Watertight	A	75,-	0,-	75,-
EXPO 150, hot-dip galvanized	A	692,-	88,-	780,-
Lid, galvanized	A	168,-	18,-	186,-
Castor Set, polyamide, Load capacity 1050 kg / castor set	A	150,-	15,-	165,-
Skip Body Welded Oil and Watertight	A	75,-	0,-	75,-
EXPO 225, painted	A	639,-	88,-	727,-
Lid, galvanized	A	168,-	18,-	186,-
Castor Set, polyamide, Load capacity 1050 kg / castor set	A	150,-	15,-	165,-
Skip Body Welded Oil and Watertight	A	75,-	0,-	75,-
EXPO 225, hot-dip galvanized	A	758,-	88,-	846,-
Lid, galvanized	A	168,-	18,-	186,-
Castor Set, polyamide, Load capacity 1050 kg / castor set	A	150,-	15,-	165,-
Skip Body Welded Oil and Watertight	A	75,-	0,-	75,-
EXPO 275, painted	A	667,-	88,-	755,-
Lid, galvanized	A	168,-	18,-	186,-
Castor Set, polyamide, Load capacity 1050 kg / castor set	A	150,-	15,-	165,-
Skip Body Welded Oil and Watertight	A	75,-	0,-	75,-
EXPO 275, hot-dip galvanized	A	798,-	88,-	886,-
Lid, galvanized	A	168,-	18,-	186,-
Castor Set, polyamide, Load capacity 1050 kg / castor set	A	150,-	15,-	165,-
Skip Body Welded Oil and Watertight	A	75,-	0,-	75,-
EXPO 300, painted	A	601,-	122,-	723,-
Lid, galvanized	A	168,-	18,-	186,-
Castor Set, polyamide, Load capacity 1350 kg / castor set	A	185,-	15,-	200,-
Skip Body Welded Oil and Watertight	A	75,-	0,-	75,-
EXPO 300, hot-dip galvanized	A	771,-	122,-	893,-
Lid, galvanized	A	168,-	18,-	186,-
Castor Set, polyamide, Load capacity 1350 kg / castor set	A	185,-	15,-	200,-
Skip Body Welded Oil and Watertight	A	75,-	0,-	75,-
EXPO 600, painted	A	708,-	122,-	830,-
Lid, galvanized	A	189,-	22,-	211,-
Castor Set, polyamide, Load capacity 1350 kg / castor set	A	185,-	15,-	200,-
Skip Body Welded Oil and Watertight	A	75,-	0,-	75,-
EXPO 600, hot-dip galvanized	A	849,-	122,-	971,-
Lid, galvanized	A	189,-	22,-	211,-
Castor Set, polyamide, Load capacity 1350 kg / castor set	A	185,-	15,-	200,-
Skip Body Welded Oil and Watertight	A	75,-	0,-	75,-
EXPO 900, painted	A	790,-	122,-	912,-
Lid, galvanized	A	215,-	27,-	242,-
Castor Set, polyamide, Load capacity 1350 kg / castor set	A	185,-	15,-	200,-
Skip Body Welded Oil and Watertight	A	75,-	0,-	75,-
EXPO 900, hot-dip galvanized	A	931,-	122,-	1053,-
Lid, galvanized	A	215,-	27,-	242,-

Prices in EUR, valid EXW DE-46354 Südlohn, DE-38820 Halberstadt, unpacked
Freight charges valid CPT Czech Republic, islands and oversea territories excluded

Price List 0424 en-CZ

Forklift Truck Attachments



Tilting Container Type EXPO®	Category	Price	Freight charges	Price including freight charges
Castor Set, polyamide, Load capacity 1350 kg / castor set	A	185,-	15,-	200,-
Skip Body Welded Oil and Watertight	A	75,-	0,-	75,-
EXPO 1200, painted	A	855,-	172,-	1027,-
Lid, galvanized	A	215,-	26,-	241,-
Castor Set, polyamide, Load capacity 1350 kg / castor set	A	185,-	15,-	200,-
Skip Body Welded Oil and Watertight	A	116,-	0,-	116,-
EXPO 1200, hot-dip galvanized	A	1006,-	172,-	1178,-
Lid, galvanized	A	215,-	26,-	241,-
Castor Set, polyamide, Load capacity 1350 kg / castor set	A	185,-	15,-	200,-
Skip Body Welded Oil and Watertight	A	116,-	0,-	116,-
EXPO 1700, painted	A	1161,-	172,-	1333,-
Lid, galvanized	A	266,-	33,-	299,-
Castor Set, polyamide, Load capacity 1350 kg / castor set	A	185,-	15,-	200,-
Skip Body Welded Oil and Watertight	A	116,-	0,-	116,-
EXPO 1700, hot-dip galvanized	A	1386,-	172,-	1558,-
Lid, galvanized	A	266,-	33,-	299,-
Castor Set, polyamide, Load capacity 1350 kg / castor set	A	185,-	15,-	200,-
Skip Body Welded Oil and Watertight	A	116,-	0,-	116,-
EXPO 2100, painted	A	1280,-	172,-	1452,-
Lid, galvanized	A	347,-	36,-	383,-
Castor Set, polyamide, Load capacity 1350 kg / castor set	A	185,-	15,-	200,-
Skip Body Welded Oil and Watertight	A	116,-	0,-	116,-
EXPO 2100, hot-dip galvanized	A	1551,-	172,-	1723,-
Lid, galvanized	A	347,-	36,-	383,-
Castor Set, polyamide, Load capacity 1350 kg / castor set	A	185,-	15,-	200,-
Skip Body Welded Oil and Watertight	A	116,-	0,-	116,-
Swarf Tilting Container Type EXPO®-E	Category	Price	Freight charges	Price including freight charges
EXPO-E 150, painted	A	704,-	88,-	792,-
Lid, galvanized	A	168,-	18,-	186,-
Castor Set, polyamide, Load capacity 1050 kg / castor set	A	150,-	15,-	165,-
EXPO-E 150, hot-dip galvanized	A	808,-	88,-	896,-
Lid, galvanized	A	168,-	18,-	186,-
Castor Set, polyamide, Load capacity 1050 kg / castor set	A	150,-	15,-	165,-
EXPO-E 225, painted	A	755,-	88,-	843,-
Lid, galvanized	A	168,-	18,-	186,-
Castor Set, polyamide, Load capacity 1050 kg / castor set	A	150,-	15,-	165,-
EXPO-E 225, hot-dip galvanized	A	876,-	88,-	964,-
Lid, galvanized	A	168,-	18,-	186,-
Castor Set, polyamide, Load capacity 1050 kg / castor set	A	150,-	15,-	165,-
EXPO-E 275, painted	A	784,-	88,-	872,-
Lid, galvanized	A	168,-	18,-	186,-
Castor Set, polyamide, Load capacity 1050 kg / castor set	A	150,-	15,-	165,-
EXPO-E 275, hot-dip galvanized	A	912,-	88,-	1000,-
Lid, galvanized	A	168,-	18,-	186,-
Castor Set, polyamide, Load capacity 1050 kg / castor set	A	150,-	15,-	165,-

Prices in EUR, valid EXW DE-46354 Südlohn, DE-38820 Halberstadt, unpacked
Freight charges valid CPT Czech Republic, islands and oversea territories excluded

Price List 0424 en-CZ

Forklift Truck Attachments



Swarf Tilting Container Type EXPO®-E	Category	Price	Freight charges	Price including freight charges
EXPO-E 300, painted	A	718,-	122,-	840,-
Lid, galvanized	A	168,-	18,-	186,-
Castor Set, polyamide, Load capacity 1350 kg / castor set	A	185,-	15,-	200,-
EXPO-E 300, hot-dip galvanized	A	887,-	122,-	1009,-
Lid, galvanized	A	168,-	18,-	186,-
Castor Set, polyamide, Load capacity 1350 kg / castor set	A	185,-	15,-	200,-
EXPO-E 600, painted	A	824,-	122,-	946,-
Lid, galvanized	A	189,-	22,-	211,-
Castor Set, polyamide, Load capacity 1350 kg / castor set	A	185,-	15,-	200,-
EXPO-E 600, hot-dip galvanized	A	965,-	122,-	1087,-
Lid, galvanized	A	189,-	22,-	211,-
Castor Set, polyamide, Load capacity 1350 kg / castor set	A	185,-	15,-	200,-
EXPO-E 900, painted	A	906,-	122,-	1028,-
Lid, galvanized	A	215,-	27,-	242,-
Castor Set, polyamide, Load capacity 1350 kg / castor set	A	185,-	15,-	200,-
EXPO-E 900, hot-dip galvanized	A	1048,-	122,-	1170,-
Lid, galvanized	A	215,-	27,-	242,-
Castor Set, polyamide, Load capacity 1350 kg / castor set	A	185,-	15,-	200,-
EXPO-E 1200, painted	A	1012,-	172,-	1184,-
Lid, galvanized	A	215,-	26,-	241,-
Castor Set, polyamide, Load capacity 1350 kg / castor set	A	185,-	15,-	200,-
EXPO-E 1200, hot-dip galvanized	A	1163,-	172,-	1335,-
Lid, galvanized	A	215,-	26,-	241,-
Castor Set, polyamide, Load capacity 1350 kg / castor set	A	185,-	15,-	200,-
EXPO-E 1700, painted	A	1318,-	172,-	1490,-
Lid, galvanized	A	266,-	33,-	299,-
Castor Set, polyamide, Load capacity 1350 kg / castor set	A	185,-	15,-	200,-
EXPO-E 1700, hot-dip galvanized	A	1543,-	172,-	1715,-
Lid, galvanized	A	266,-	33,-	299,-
Castor Set, polyamide, Load capacity 1350 kg / castor set	A	185,-	15,-	200,-
EXPO-E 2100, painted	A	1437,-	172,-	1609,-
Lid, galvanized	A	347,-	36,-	383,-
Castor Set, polyamide, Load capacity 1350 kg / castor set	A	185,-	15,-	200,-
EXPO-E 2100, hot-dip galvanized	A	1708,-	172,-	1880,-
Lid, galvanized	A	347,-	36,-	383,-
Castor Set, polyamide, Load capacity 1350 kg / castor set	A	185,-	15,-	200,-
Container With Drop Away Base Type FB	Category	Price	Freight charges	Price including freight charges
FB 500, painted	A	781,-	122,-	903,-
Lid, galvanized	A	189,-	15,-	204,-
Castor Set, polyamide, Load capacity 1350 kg / castor set	A	185,-	15,-	200,-
Guiding Plates, galvanized	A	112,-	12,-	124,-
FB 500, hot-dip galvanized	A	960,-	122,-	1082,-
Lid, galvanized	A	189,-	15,-	204,-
Castor Set, polyamide, Load capacity 1350 kg / castor set	A	185,-	15,-	200,-
Guiding Plates, galvanized	A	112,-	12,-	124,-

Prices in EUR, valid EXW DE-46354 Südlohn, DE-38820 Halberstadt, unpacked
Freight charges valid CPT Czech Republic, islands and oversea territories excluded

Price List 0424 en-CZ

Forklift Truck Attachments



Container With Drop Away Base Type FB	Category	Price	Freight charges	Price including freight charges
FB 750, painted	A	850,-	122,-	972,-
Lid, galvanized	A	189,-	15,-	204,-
Castor Set, polyamide, Load capacity 1350 kg / castor set	A	185,-	15,-	200,-
Guiding Plates, galvanized	A	112,-	12,-	124,-
FB 750, hot-dip galvanized	A	1038,-	122,-	1160,-
Lid, galvanized	A	189,-	15,-	204,-
Castor Set, polyamide, Load capacity 1350 kg / castor set	A	185,-	15,-	200,-
Guiding Plates, galvanized	A	112,-	12,-	124,-
FB 1000, painted	A	910,-	122,-	1032,-
Lid, galvanized	A	229,-	18,-	247,-
Castor Set, polyamide, Load capacity 1350 kg / castor set	A	185,-	15,-	200,-
Guiding Plates, galvanized	A	112,-	12,-	124,-
FB 1000, hot-dip galvanized	A	1117,-	122,-	1239,-
Lid, galvanized	A	229,-	18,-	247,-
Castor Set, polyamide, Load capacity 1350 kg / castor set	A	185,-	15,-	200,-
Guiding Plates, galvanized	A	112,-	12,-	124,-
FB 1500, painted	A	1067,-	172,-	1239,-
Lid, galvanized	A	339,-	21,-	360,-
Castor Set, polyamide, Load capacity 1350 kg / castor set	A	185,-	15,-	200,-
Guiding Plates, galvanized	A	112,-	12,-	124,-
FB 1500, hot-dip galvanized	A	1344,-	172,-	1516,-
Lid, galvanized	A	339,-	21,-	360,-
Castor Set, polyamide, Load capacity 1350 kg / castor set	A	185,-	15,-	200,-
Guiding Plates, galvanized	A	112,-	12,-	124,-
FB 2000, painted	A	1151,-	172,-	1323,-
Lid, galvanized	A	339,-	21,-	360,-
Castor Set, polyamide, Load capacity 1350 kg / castor set	A	185,-	15,-	200,-
Guiding Plates, galvanized	A	112,-	12,-	124,-
FB 2000, hot-dip galvanized	A	1460,-	172,-	1632,-
Lid, galvanized	A	339,-	21,-	360,-
Castor Set, polyamide, Load capacity 1350 kg / castor set	A	185,-	15,-	200,-
Guiding Plates, galvanized	A	112,-	12,-	124,-
Drum Tipper Type FD/L-HK	Category	Price	Freight charges	Price including freight charges
FD/L-HK, painted	B	2245,-	122,-	2367,-
FD/L-HK, hot-dip galvanized	B	2671,-	122,-	2793,-
Drum Tipper Type FD/L-K	Category	Price	Freight charges	Price including freight charges
FD/L-K, painted	B	2429,-	122,-	2551,-
FD/L-K, hot-dip galvanized	B	2864,-	122,-	2986,-
Drum Tipper Type FD-H	Category	Price	Freight charges	Price including freight charges
FD-H, painted	B	2505,-	88,-	2593,-
FD-H, hot-dip galvanized	B	2732,-	88,-	2820,-

Prices in EUR, valid EXW DE-46354 Südlohn, DE-38820 Halberstadt, unpacked
Freight charges valid CPT Czech Republic, islands and oversea territories excluded

Price List 0424 en-CZ

Forklift Truck Attachments



Drum Tipper Type FD-HK	Category	Price	Freight charges	Price including freight charges
FD-HK, painted	B	1929,-	88,-	2017,-
FD-HK, hot-dip galvanized	B	2161,-	88,-	2249,-
Drum Tipper Type FD-K	Category	Price	Freight charges	Price including freight charges
FD-K, painted	B	2114,-	88,-	2202,-
FD-K, hot-dip galvanized	B	2354,-	88,-	2442,-
Drum Tipper Type FD-SK	Category	Price	Freight charges	Price including freight charges
FD-SK, painted	B	1929,-	88,-	2017,-
FD-SK, hot-dip galvanized	B	2161,-	88,-	2249,-
Drum Jack Type FH	Category	Price	Freight charges	Price including freight charges
FH-I 120, painted	B	1589,-	88,-	1677,-
FH-I 120, hot-dip galvanized	B	1761,-	88,-	1849,-
FH-I 220, painted	B	1589,-	88,-	1677,-
FH-I 220, hot-dip galvanized	B	1789,-	88,-	1877,-
FH-II 120, painted	B	2320,-	88,-	2408,-
FH-II 120, hot-dip galvanized	B	2582,-	88,-	2670,-
FH-II 220, painted	B	2320,-	88,-	2408,-
FH-II 220, hot-dip galvanized	B	2636,-	88,-	2724,-
Drum Gripper Type FK	Category	Price	Freight charges	Price including freight charges
FK-I, painted	B	1208,-	88,-	1296,-
FK-I, hot-dip galvanized	B	1472,-	88,-	1560,-
FK-II, painted	B	1437,-	122,-	1559,-
FK-II, hot-dip galvanized	B	1818,-	122,-	1940,-
Drum Clamp Type FKL	Category	Price	Freight charges	Price including freight charges
FKL, painted	B	463,-	32,-	495,-
Drum Tipper Type FLEX-HK	Category	Price	Freight charges	Price including freight charges
FLEX-HK, painted	B	2090,-	88,-	2178,-
Shelf Drum Pallet RP, galvanized	B	140,-	32,-	172,-
FLEX-HK, hot-dip galvanized	B	2258,-	88,-	2346,-
Shelf Drum Pallet RP, galvanized	B	140,-	32,-	172,-
Drum Tipper Type FLEX-K	Category	Price	Freight charges	Price including freight charges
FLEX-K, painted	B	2283,-	88,-	2371,-
Shelf Drum Pallet RP, galvanized	B	140,-	32,-	172,-
FLEX-K, hot-dip galvanized	B	2447,-	88,-	2535,-
Shelf Drum Pallet RP, galvanized	B	140,-	32,-	172,-
Drum Traverse Type FT/M	Category	Price	Freight charges	Price including freight charges
FT/M, galvanized	B	305,-	32,-	337,-

Prices in EUR, valid EXW DE-46354 Südlohn, DE-38820 Halberstadt, unpacked
Freight charges valid CPT Czech Republic, islands and oversea territories excluded

Price List 0424 en-CZ

Forklift Truck Attachments



Drum Traverse Type FT/MK	Category	Price	Freight charges	Price including freight charges
FT/MK, galvanized	B	349,-	32,-	381,-
Drum Turner Type FW	Category	Price	Freight charges	Price including freight charges
FW-I, painted	B	1342,-	122,-	1464,-
FW-I, hot-dip galvanized	B	1742,-	122,-	1864,-
FW-II, painted	B	1879,-	122,-	2001,-
FW-II, hot-dip galvanized	B	2447,-	122,-	2569,-
Drum Turning Claw Type FWZ	Category	Price	Freight charges	Price including freight charges
FWZ-60, painted	B	1309,-	88,-	1397,-
FWZ-60, hot-dip galvanized	B	1289,-	88,-	1377,-
FWZ-200, painted	B	1349,-	88,-	1437,-
FWZ-200, hot-dip galvanized	B	1329,-	88,-	1417,-
Fork Extensions Type GG	Category	Price	Freight charges	Price including freight charges
GG 80/40 (1600 mm long), painted	A	522,-	88,-	610,-
GG 80/40 (1800 mm long), painted	A	550,-	88,-	638,-
GG 80/40 (2000 mm long), painted	A	580,-	88,-	668,-
GG 100/40 (1600 mm long), painted	A	522,-	88,-	610,-
GG 100/40 (1800 mm long), painted	A	550,-	88,-	638,-
GG 100/40 (2000 mm long), painted	A	580,-	88,-	668,-
GG 100/45 (1600 mm long), painted	A	522,-	88,-	610,-
GG 100/45 (1800 mm long), painted	A	550,-	88,-	638,-
GG 100/45 (2000 mm long), painted	A	580,-	88,-	668,-
GG 100/50 (1600 mm long), painted	A	522,-	88,-	610,-
GG 100/50 (1800 mm long), painted	A	550,-	88,-	638,-
GG 100/50 (2000 mm long), painted	A	580,-	122,-	702,-
GG 120/40 (1600 mm long), painted	A	550,-	88,-	638,-
GG 120/40 (1800 mm long), painted	A	580,-	122,-	702,-
GG 120/40 (2000 mm long), painted	A	623,-	122,-	745,-
GG 120/50 (1600 mm long), painted	A	550,-	88,-	638,-
GG 120/50 (1800 mm long), painted	A	580,-	122,-	702,-
GG 120/50 (2000 mm long), painted	A	623,-	122,-	745,-
GG 125/45 (1600 mm long), painted	A	550,-	88,-	638,-
GG 125/45 (1800 mm long), painted	A	580,-	122,-	702,-
GG 125/45 (2000 mm long), painted	A	623,-	122,-	745,-
GG 125/50 (1600 mm long), painted	A	550,-	88,-	638,-
GG 125/50 (1800 mm long), painted	A	580,-	122,-	702,-
GG 125/50 (2000 mm long), painted	A	623,-	122,-	745,-
GG 150/50 (1600 mm long), painted	A	612,-	122,-	734,-
GG 150/50 (1800 mm long), painted	A	657,-	122,-	779,-
GG 150/50 (2000 mm long), painted	A	688,-	122,-	810,-
GG 150/70 (1600 mm long), painted	A	612,-	122,-	734,-
GG 150/70 (1800 mm long), painted	A	657,-	122,-	779,-
GG 150/70 (2000 mm long), painted	A	688,-	122,-	810,-

Prices in EUR, valid EXW DE-46354 Südlohn, DE-38820 Halberstadt, unpacked
 Freight charges valid CPT Czech Republic, islands and oversea territories excluded

Price List 0424 en-CZ

Forklift Truck Attachments



Fork Extensions Type GO	Category	Price	Freight charges	Price including freight charges
GO 80/40 (1600 mm long), painted	A	376,-	88,-	464,-
GO 80/40 (1800 mm long), painted	A	382,-	88,-	470,-
GO 80/40 (2000 mm long), painted	A	397,-	88,-	485,-
GO 100/40 (1600 mm long), painted	A	376,-	88,-	464,-
GO 100/40 (1800 mm long), painted	A	382,-	88,-	470,-
GO 100/40 (2000 mm long), painted	A	397,-	88,-	485,-
GO 100/45 (1600 mm long), painted	A	376,-	88,-	464,-
GO 100/45 (1800 mm long), painted	A	382,-	88,-	470,-
GO 100/45 (2000 mm long), painted	A	397,-	88,-	485,-
GO 100/50 (1600 mm long), painted	A	376,-	88,-	464,-
GO 100/50 (1800 mm long), painted	A	382,-	88,-	470,-
GO 100/50 (2000 mm long), painted	A	397,-	88,-	485,-
GO 120/40 (1600 mm long), painted	A	382,-	88,-	470,-
GO 120/40 (1800 mm long), painted	A	403,-	88,-	491,-
GO 120/40 (2000 mm long), painted	A	420,-	88,-	508,-
GO 120/50 (1600 mm long), painted	A	382,-	88,-	470,-
GO 120/50 (1800 mm long), painted	A	403,-	88,-	491,-
GO 120/50 (2000 mm long), painted	A	420,-	88,-	508,-
GO 125/45 (1600 mm long), painted	A	382,-	88,-	470,-
GO 125/45 (1800 mm long), painted	A	403,-	88,-	491,-
GO 125/45 (2000 mm long), painted	A	420,-	88,-	508,-
GO 125/50 (1600 mm long), painted	A	382,-	88,-	470,-
GO 125/50 (1800 mm long), painted	A	403,-	88,-	491,-
GO 125/50 (2000 mm long), painted	A	420,-	88,-	508,-
GO 150/50 (1600 mm long), painted	A	458,-	88,-	546,-
GO 150/50 (1800 mm long), painted	A	498,-	88,-	586,-
GO 150/50 (2000 mm long), painted	A	536,-	88,-	624,-
GO 150/70 (1600 mm long), painted	A	458,-	88,-	546,-
GO 150/70 (1800 mm long), painted	A	498,-	88,-	586,-
GO 150/70 (2000 mm long), painted	A	536,-	88,-	624,-

Tilting Container Type GU	Category	Price	Freight charges	Price including freight charges
GU 300, painted	A	632,-	122,-	754,-
Lid, galvanized	A	94,-	18,-	112,-
Castor Set, polyamide, Load capacity 1350 kg / castor set	A	185,-	15,-	200,-
Skip Body Welded Oil and Watertight	A	75,-	0,-	75,-
Crane lifting eyes for use with a crane	A	102,-	8,-	110,-
Support legs, 100 mm ground leeway	A	67,-	8,-	75,-
GU 300, hot-dip galvanized	A	836,-	122,-	958,-
Lid, galvanized	A	94,-	18,-	112,-
Castor Set, polyamide, Load capacity 1350 kg / castor set	A	185,-	15,-	200,-
Skip Body Welded Oil and Watertight	A	75,-	0,-	75,-
Crane lifting eyes for use with a crane	A	102,-	8,-	110,-
Support legs, 100 mm ground leeway	A	67,-	8,-	75,-
GU 500, painted	A	860,-	122,-	982,-
Lid, galvanized	A	94,-	18,-	112,-

Prices in EUR, valid EXW DE-46354 Südlohn, DE-38820 Halberstadt, unpacked
 Freight charges valid CPT Czech Republic, islands and oversea territories excluded

Price List 0424 en-CZ

Forklift Truck Attachments



Tilting Container Type GU	Category	Price	Freight charges	Price including freight charges
Castor Set, polyamide, Load capacity 1350 kg / castor set	A	185,-	15,-	200,-
Skip Body Welded Oil and Watertight	A	75,-	0,-	75,-
Adjustable dumping brake	A	448,-	10,-	458,-
Crane lifting eyes for use with a crane	A	102,-	8,-	110,-
Support legs, 100 mm ground leeway	A	67,-	8,-	75,-
GU 500, hot-dip galvanized	A	1120,-	122,-	1242,-
Lid, galvanized	A	94,-	18,-	112,-
Castor Set, polyamide, Load capacity 1350 kg / castor set	A	185,-	15,-	200,-
Skip Body Welded Oil and Watertight	A	75,-	0,-	75,-
Adjustable dumping brake	A	448,-	10,-	458,-
Crane lifting eyes for use with a crane	A	102,-	8,-	110,-
Support legs, 100 mm ground leeway	A	67,-	8,-	75,-
GU 750, painted	A	1016,-	122,-	1138,-
Lid, galvanized	A	134,-	26,-	160,-
Castor Set, polyamide, Load capacity 1350 kg / castor set	A	185,-	15,-	200,-
Skip Body Welded Oil and Watertight	A	75,-	0,-	75,-
Adjustable dumping brake	A	448,-	10,-	458,-
Crane lifting eyes for use with a crane	A	102,-	8,-	110,-
Support legs, 100 mm ground leeway	A	67,-	8,-	75,-
GU 750, hot-dip galvanized	A	1324,-	122,-	1446,-
Lid, galvanized	A	134,-	26,-	160,-
Castor Set, polyamide, Load capacity 1350 kg / castor set	A	185,-	15,-	200,-
Skip Body Welded Oil and Watertight	A	75,-	0,-	75,-
Adjustable dumping brake	A	448,-	10,-	458,-
Crane lifting eyes for use with a crane	A	102,-	8,-	110,-
Support legs, 100 mm ground leeway	A	67,-	8,-	75,-
GU 1000, painted	A	1123,-	122,-	1245,-
Lid, galvanized	A	185,-	27,-	212,-
Castor Set, polyamide, Load capacity 1350 kg / castor set	A	185,-	15,-	200,-
Skip Body Welded Oil and Watertight	A	116,-	0,-	116,-
Adjustable dumping brake	A	448,-	10,-	458,-
Crane lifting eyes for use with a crane	A	102,-	8,-	110,-
Support legs, 100 mm ground leeway	A	67,-	8,-	75,-
GU 1000, hot-dip galvanized	A	1591,-	172,-	1763,-
Lid, galvanized	A	185,-	27,-	212,-
Castor Set, polyamide, Load capacity 1350 kg / castor set	A	185,-	15,-	200,-
Skip Body Welded Oil and Watertight	A	116,-	0,-	116,-
Adjustable dumping brake	A	448,-	10,-	458,-
Crane lifting eyes for use with a crane	A	102,-	8,-	110,-
Support legs, 100 mm ground leeway	A	67,-	8,-	75,-
GU 1500, painted	A	1311,-	172,-	1483,-
Lid, galvanized	A	185,-	27,-	212,-
Castor Set, polyamide, Load capacity 1350 kg / castor set	A	185,-	15,-	200,-
Skip Body Welded Oil and Watertight	A	116,-	0,-	116,-
Adjustable dumping brake	A	448,-	10,-	458,-
Crane lifting eyes for use with a crane	A	102,-	8,-	110,-

Prices in EUR, valid EXW DE-46354 Südlohn, DE-38820 Halberstadt, unpacked
Freight charges valid CPT Czech Republic, islands and oversea territories excluded

Price List 0424 en-CZ

Forklift Truck Attachments



Tilting Container Type GU	Category	Price	Freight charges	Price including freight charges
Support legs, 100 mm ground leeway	A	67,-	8,-	75,-
GU 1500, hot-dip galvanized	A	1709,-	172,-	1881,-
Lid, galvanized	A	185,-	27,-	212,-
Castor Set, polyamide, Load capacity 1350 kg / castor set	A	185,-	15,-	200,-
Skip Body Welded Oil and Watertight	A	116,-	0,-	116,-
Adjustable dumping brake	A	448,-	10,-	458,-
Crane lifting eyes for use with a crane	A	102,-	8,-	110,-
Support legs, 100 mm ground leeway	A	67,-	8,-	75,-
GU 2000, painted	A	1618,-	172,-	1790,-
Lid, galvanized	A	218,-	32,-	250,-
Castor Set, polyamide, Load capacity 1350 kg / castor set	A	185,-	15,-	200,-
Skip Body Welded Oil and Watertight	A	116,-	0,-	116,-
Adjustable dumping brake	A	448,-	10,-	458,-
Crane lifting eyes for use with a crane	A	102,-	8,-	110,-
Support legs, 100 mm ground leeway	A	67,-	8,-	75,-
GU 2000, hot-dip galvanized	A	2125,-	172,-	2297,-
Lid, galvanized	A	218,-	32,-	250,-
Castor Set, polyamide, Load capacity 1350 kg / castor set	A	185,-	15,-	200,-
Skip Body Welded Oil and Watertight	A	116,-	0,-	116,-
Adjustable dumping brake	A	448,-	10,-	458,-
Crane lifting eyes for use with a crane	A	102,-	8,-	110,-
Support legs, 100 mm ground leeway	A	67,-	8,-	75,-
Swarf Tilting Container Type GU-E	Category	Price	Freight charges	Price including freight charges
GU-E 300, painted	A	748,-	122,-	870,-
Lid, galvanized	A	94,-	18,-	112,-
Castor Set, polyamide, Load capacity 1350 kg / castor set	A	185,-	15,-	200,-
Crane lifting eyes for use with a crane	A	102,-	8,-	110,-
Support legs, 100 mm ground leeway	A	67,-	8,-	75,-
GU-E 300, hot-dip galvanized	A	952,-	122,-	1074,-
Lid, galvanized	A	94,-	18,-	112,-
Castor Set, polyamide, Load capacity 1350 kg / castor set	A	185,-	15,-	200,-
Crane lifting eyes for use with a crane	A	102,-	8,-	110,-
Support legs, 100 mm ground leeway	A	67,-	8,-	75,-
GU-E 500, painted	A	977,-	122,-	1099,-
Lid, galvanized	A	94,-	18,-	112,-
Castor Set, polyamide, Load capacity 1350 kg / castor set	A	185,-	15,-	200,-
Adjustable dumping brake	A	448,-	10,-	458,-
Crane lifting eyes for use with a crane	A	102,-	8,-	110,-
Support legs, 100 mm ground leeway	A	67,-	8,-	75,-
GU-E 500, hot-dip galvanized	A	1236,-	122,-	1358,-
Lid, galvanized	A	94,-	18,-	112,-
Castor Set, polyamide, Load capacity 1350 kg / castor set	A	185,-	15,-	200,-
Adjustable dumping brake	A	448,-	10,-	458,-
Crane lifting eyes for use with a crane	A	102,-	8,-	110,-
Support legs, 100 mm ground leeway	A	67,-	8,-	75,-

Prices in EUR, valid EXW DE-46354 Südlohn, DE-38820 Halberstadt, unpacked
Freight charges valid CPT Czech Republic, islands and oversea territories excluded

Price List 0424 en-CZ

Forklift Truck Attachments



Swarf Tilting Container Type GU-E	Category	Price	Freight charges	Price including freight charges
GU-E 750, painted	A	1132,-	122,-	1254,-
Lid, galvanized	A	134,-	26,-	160,-
Castor Set, polyamide, Load capacity 1350 kg / castor set	A	185,-	15,-	200,-
Adjustable dumping brake	A	448,-	10,-	458,-
Crane lifting eyes for use with a crane	A	102,-	8,-	110,-
Support legs, 100 mm ground leeway	A	67,-	8,-	75,-
GU-E 750, hot-dip galvanized	A	1440,-	122,-	1562,-
Lid, galvanized	A	134,-	26,-	160,-
Castor Set, polyamide, Load capacity 1350 kg / castor set	A	185,-	15,-	200,-
Adjustable dumping brake	A	448,-	10,-	458,-
Crane lifting eyes for use with a crane	A	102,-	8,-	110,-
Support legs, 100 mm ground leeway	A	67,-	8,-	75,-
GU-E 1000, painted	A	1280,-	122,-	1402,-
Lid, galvanized	A	185,-	27,-	212,-
Castor Set, polyamide, Load capacity 1350 kg / castor set	A	185,-	15,-	200,-
Adjustable dumping brake	A	448,-	10,-	458,-
Crane lifting eyes for use with a crane	A	102,-	8,-	110,-
Support legs, 100 mm ground leeway	A	67,-	8,-	75,-
GU-E 1000, hot-dip galvanized	A	1748,-	172,-	1920,-
Lid, galvanized	A	185,-	27,-	212,-
Castor Set, polyamide, Load capacity 1350 kg / castor set	A	185,-	15,-	200,-
Adjustable dumping brake	A	448,-	10,-	458,-
Crane lifting eyes for use with a crane	A	102,-	8,-	110,-
Support legs, 100 mm ground leeway	A	67,-	8,-	75,-
GU-E 1500, painted	A	1468,-	172,-	1640,-
Lid, galvanized	A	185,-	27,-	212,-
Castor Set, polyamide, Load capacity 1350 kg / castor set	A	185,-	15,-	200,-
Adjustable dumping brake	A	448,-	10,-	458,-
Crane lifting eyes for use with a crane	A	102,-	8,-	110,-
Support legs, 100 mm ground leeway	A	67,-	8,-	75,-
GU-E 1500, hot-dip galvanized	A	1866,-	172,-	2038,-
Lid, galvanized	A	185,-	27,-	212,-
Castor Set, polyamide, Load capacity 1350 kg / castor set	A	185,-	15,-	200,-
Adjustable dumping brake	A	448,-	10,-	458,-
Crane lifting eyes for use with a crane	A	102,-	8,-	110,-
Support legs, 100 mm ground leeway	A	67,-	8,-	75,-
GU-E 2000, painted	A	1775,-	172,-	1947,-
Lid, galvanized	A	218,-	32,-	250,-
Castor Set, polyamide, Load capacity 1350 kg / castor set	A	185,-	15,-	200,-
Adjustable dumping brake	A	448,-	10,-	458,-
Crane lifting eyes for use with a crane	A	102,-	8,-	110,-
Support legs, 100 mm ground leeway	A	67,-	8,-	75,-
GU-E 2000, hot-dip galvanized	A	2282,-	172,-	2454,-
Lid, galvanized	A	218,-	32,-	250,-
Castor Set, polyamide, Load capacity 1350 kg / castor set	A	185,-	15,-	200,-
Adjustable dumping brake	A	448,-	10,-	458,-

Prices in EUR, valid EXW DE-46354 Südlohn, DE-38820 Halberstadt, unpacked
Freight charges valid CPT Czech Republic, islands and oversea territories excluded

Price List 0424 en-CZ

Forklift Truck Attachments



Swarf Tilting Container Type GU-E	Category	Price	Freight charges	Price including freight charges
Crane lifting eyes for use with a crane	A	102,-	8,-	110,-
Support legs, 100 mm ground leeway	A	67,-	8,-	75,-

Tilting Container Type GU-RZ	Category	Price	Freight charges	Price including freight charges
GU-RZ 30, painted	A	675,-	122,-	797,-
Lid, galvanized	A	91,-	18,-	109,-
GU-RZ 30, hot-dip galvanized	A	752,-	122,-	874,-
Lid, galvanized	A	91,-	18,-	109,-
GU-RZ 55, painted	A	899,-	122,-	1021,-
Lid, galvanized	A	91,-	18,-	109,-
GU-RZ 55, hot-dip galvanized	A	991,-	122,-	1113,-
Lid, galvanized	A	91,-	18,-	109,-

Fork Protection Type GZS	Category	Price	Freight charges	Price including freight charges
GZS, painted	F	172,-	32,-	204,-

Container With Drop Away Base Type HKB	Category	Price	Freight charges	Price including freight charges
HKB 60, painted	A	1041,-	122,-	1163,-
HKB 60, hot-dip galvanized	A	1220,-	122,-	1342,-
HKB 70, painted	A	1101,-	122,-	1223,-
HKB 70, hot-dip galvanized	A	1295,-	122,-	1417,-
HKB 90, painted	A	1369,-	122,-	1491,-
HKB 90, hot-dip galvanized	A	1636,-	172,-	1808,-

Shovel Type HVR	Category	Price	Freight charges	Price including freight charges
HVR 50, painted	A	3278,-	172,-	3450,-
HVR 75, painted	A	3841,-	217,-	4058,-
HVR 80 L, painted	A	3956,-	217,-	4173,-
HVR 100, painted	A	4862,-	287,-	5149,-
HVR 150, painted	A	6214,-	287,-	6501,-

Kippomat Type KG-A	Category	Price	Freight charges	Price including freight charges
KG-A, hot-dip galvanized	A	3109,-	172,-	3281,-

Kippomat Type KG-B	Category	Price	Freight charges	Price including freight charges
KG-B, hot-dip galvanized	A	3030,-	172,-	3202,-

Kippomat Type KG-C	Category	Price	Freight charges	Price including freight charges
KG-C, hot-dip galvanized	A	2010,-	122,-	2132,-

Tipping Skip Type KK	Category	Price	Freight charges	Price including freight charges
KK 250, painted	E	467,-	88,-	555,-
Lid, galvanized	E	131,-	15,-	146,-
Castor Set, polyamide, Load capacity 1050 kg / castor set	A	131,-	15,-	146,-

Prices in EUR, valid EXW DE-46354 Südlohn, DE-38820 Halberstadt, unpacked
 Freight charges valid CPT Czech Republic, islands and oversea territories excluded

Price List 0424 en-CZ

Forklift Truck Attachments



Tipping Skip Type KK	Category	Price	Freight charges	Price including freight charges
Castor Set, solid rubber, Load capacity 615 kg / castor set	E	99,-	15,-	114,-
KK 250, hot-dip galvanized	E	515,-	88,-	603,-
Lid, galvanized	E	131,-	15,-	146,-
Castor Set, polyamide, Load capacity 1050 kg / castor set	A	131,-	15,-	146,-
Castor Set, solid rubber, Load capacity 615 kg / castor set	E	99,-	15,-	114,-
KK 400, painted	E	532,-	88,-	620,-
Lid, galvanized	E	150,-	16,-	166,-
Castor Set, polyamide, Load capacity 1050 kg / castor set	A	131,-	15,-	146,-
Castor Set, solid rubber, Load capacity 615 kg / castor set	E	99,-	15,-	114,-
KK 400, hot-dip galvanized	E	579,-	88,-	667,-
Lid, galvanized	E	150,-	16,-	166,-
Castor Set, polyamide, Load capacity 1050 kg / castor set	A	131,-	15,-	146,-
Castor Set, solid rubber, Load capacity 615 kg / castor set	E	99,-	15,-	114,-
KK 600, painted	E	738,-	122,-	860,-
Lid, galvanized	E	167,-	20,-	187,-
Castor Set, polyamide, Load capacity 1050 kg / castor set	A	131,-	15,-	146,-
Castor Set, solid rubber, Load capacity 615 kg / castor set	E	99,-	15,-	114,-
KK 600, hot-dip galvanized	E	835,-	122,-	957,-
Castor Set, solid rubber, Load capacity 615 kg / castor set	E	99,-	15,-	114,-
Lid, galvanized	E	167,-	20,-	187,-
Castor Set, polyamide, Load capacity 1050 kg / castor set	A	131,-	15,-	146,-
KK 800, painted	E	795,-	122,-	917,-
Lid, galvanized	E	174,-	21,-	195,-
Castor Set, polyamide, Load capacity 1050 kg / castor set	A	131,-	15,-	146,-
Castor Set, solid rubber, Load capacity 615 kg / castor set	E	99,-	15,-	114,-
KK 800, hot-dip galvanized	E	898,-	122,-	1020,-
Lid, galvanized	E	174,-	21,-	195,-
Castor Set, polyamide, Load capacity 1050 kg / castor set	A	131,-	15,-	146,-
Castor Set, solid rubber, Load capacity 615 kg / castor set	E	99,-	15,-	114,-
KK 1000, painted	E	851,-	122,-	973,-
Lid, galvanized	E	186,-	22,-	208,-
Castor Set, polyamide, Load capacity 1050 kg / castor set	A	131,-	15,-	146,-
Castor Set, solid rubber, Load capacity 615 kg / castor set	E	99,-	15,-	114,-
KK 1000, hot-dip galvanized	E	979,-	122,-	1101,-
Lid, galvanized	E	186,-	22,-	208,-
Castor Set, polyamide, Load capacity 1050 kg / castor set	A	131,-	15,-	146,-
Castor Set, solid rubber, Load capacity 615 kg / castor set	E	99,-	15,-	114,-
Kippomat Type KM	Category	Price	Freight charges	Price including freight charges
KM, hot-dip galvanized	A	3109,-	122,-	3231,-
Tipping Skip Type KN	Category	Price	Freight charges	Price including freight charges
KN 250, painted	E	467,-	88,-	555,-
Lid, galvanized	E	131,-	15,-	146,-
Castor Set, polyamide, Load capacity 1050 kg / castor set	A	131,-	15,-	146,-

Prices in EUR, valid EXW DE-46354 Südlohn, DE-38820 Halberstadt, unpacked
Freight charges valid CPT Czech Republic, islands and oversea territories excluded

Price List 0424 en-CZ

Forklift Truck Attachments



Tipping Skip Type KN	Category	Price	Freight charges	Price including freight charges
Castor Set, solid rubber, Load capacity 615 kg / castor set	E	99,-	15,-	114,-
KN 250, hot-dip galvanized	E	515,-	88,-	603,-
Lid, galvanized	E	131,-	15,-	146,-
Castor Set, polyamide, Load capacity 1050 kg / castor set	A	131,-	15,-	146,-
Castor Set, solid rubber, Load capacity 615 kg / castor set	E	99,-	15,-	114,-
KN 400, painted	E	532,-	88,-	620,-
Lid, galvanized	E	150,-	16,-	166,-
Castor Set, polyamide, Load capacity 1050 kg / castor set	A	131,-	15,-	146,-
Castor Set, solid rubber, Load capacity 615 kg / castor set	E	99,-	15,-	114,-
KN 400, hot-dip galvanized	E	579,-	88,-	667,-
Lid, galvanized	E	150,-	16,-	166,-
Castor Set, polyamide, Load capacity 1050 kg / castor set	A	131,-	15,-	146,-
Castor Set, solid rubber, Load capacity 615 kg / castor set	E	99,-	15,-	114,-
Tipping Skip Type KS	Category	Price	Freight charges	Price including freight charges
KS 400, painted	E	869,-	122,-	991,-
KS 550, painted	E	931,-	122,-	1053,-
KS 700, painted	E	989,-	122,-	1111,-
Extensible Crane Arm Type KT	Category	Price	Freight charges	Price including freight charges
KT 2,5, painted	A	1399,-	122,-	1521,-
KT 2,5, hot-dip galvanized	A	1703,-	172,-	1875,-
KT 5,0, painted	A	1737,-	172,-	1909,-
KT 5,0, hot-dip galvanized	A	2166,-	172,-	2338,-
Extensible Crane Arm Type KTH	Category	Price	Freight charges	Price including freight charges
KTH 2,5, painted	A	1688,-	172,-	1860,-
KTH 2,5, hot-dip galvanized	A	1998,-	172,-	2170,-
KTH 5,0, painted	A	1943,-	172,-	2115,-
KTH 5,0, hot-dip galvanized	A	2292,-	172,-	2464,-
Extensible Crane Arm Type KTH-K	Category	Price	Freight charges	Price including freight charges
KTH-K 2,5, painted	A	1551,-	122,-	1673,-
KTH-K 2,5, hot-dip galvanized	A	1877,-	122,-	1999,-
KTH-K 5,0, painted	A	1789,-	122,-	1911,-
KTH-K 5,0, hot-dip galvanized	A	2156,-	172,-	2328,-
Extensible Crane Arm Type KT-K	Category	Price	Freight charges	Price including freight charges
KT-K 2,5, painted	A	1247,-	122,-	1369,-
KT-K 2,5, hot-dip galvanized	A	1567,-	122,-	1689,-
KT-K 5,0, painted	A	1570,-	122,-	1692,-
KT-K 5,0, hot-dip galvanized	A	2021,-	122,-	2143,-
Barrow Tipper Type KW-ET	Category	Price	Freight charges	Price including freight charges
KW-ET 250, painted	E	568,-	88,-	656,-

Prices in EUR, valid EXW DE-46354 Südlohn, DE-38820 Halberstadt, unpacked
Freight charges valid CPT Czech Republic, islands and oversea territories excluded

Price List 0424 en-CZ

Forklift Truck Attachments



Barrow Tipper Type KW-ET	Category	Price	Freight charges	Price including freight charges
Lid, galvanized	E	131,-	15,-	146,-
KW-ET 250, hot-dip galvanized	E	869,-	88,-	957,-
Lid, galvanized	E	131,-	15,-	146,-
KW-ET 400, painted	E	626,-	88,-	714,-
Lid, galvanized	E	150,-	16,-	166,-
KW-ET 400, hot-dip galvanized	E	964,-	88,-	1052,-
Lid, galvanized	E	150,-	16,-	166,-
KW-ET 600, painted	E	780,-	122,-	902,-
Lid, galvanized	E	167,-	20,-	187,-
KW-ET 600, hot-dip galvanized	E	1126,-	122,-	1248,-
Lid, galvanized	E	167,-	20,-	187,-
KW-ET 1000, painted	E	963,-	122,-	1085,-
Lid, galvanized	E	186,-	22,-	208,-
KW-ET 1000, hot-dip galvanized	E	1537,-	122,-	1659,-
Lid, galvanized	E	186,-	22,-	208,-

Loading Arm Type LA	Category	Price	Freight charges	Price including freight charges
LA 1600-1,0, painted	A	523,-	88,-	611,-
LA 1600-1,0, hot-dip galvanized	A	561,-	88,-	649,-
LA 1600-2,5, painted	A	759,-	88,-	847,-
LA 1600-2,5, hot-dip galvanized	A	895,-	88,-	983,-
LA 1600-5,0, painted	A	1094,-	122,-	1216,-
LA 1600-5,0, hot-dip galvanized	A	1280,-	122,-	1402,-
LA 2400-1,0, painted	A	549,-	88,-	637,-
LA 2400-1,0, hot-dip galvanized	A	610,-	88,-	698,-
LA 2400-2,5, painted	A	847,-	122,-	969,-
LA 2400-2,5, hot-dip galvanized	A	982,-	122,-	1104,-
LA 2400-5,0, painted	A	1207,-	122,-	1329,-
LA 2400-5,0, hot-dip galvanized	A	1429,-	122,-	1551,-
LA 25-1,0, painted	A	610,-	88,-	698,-
LA 25-1,0, hot-dip galvanized	A	659,-	88,-	747,-

Loading Arm Type LAT	Category	Price	Freight charges	Price including freight charges
LAT 25-1,0, painted	A	740,-	88,-	828,-
LAT 25-1,0, hot-dip galvanized	A	809,-	88,-	897,-

Scissor Gripper Type LG	Category	Price	Freight charges	Price including freight charges
LG 60, painted	B	236,-	32,-	268,-
LG 60, galvanized	B	215,-	32,-	247,-
LG 200, painted	B	236,-	32,-	268,-
LG 200, galvanized	B	215,-	32,-	247,-

Container for Long Material Type LGK	Category	Price	Freight charges	Price including freight charges
LGK, painted	A	1329,-	122,-	1451,-
Castor Set, polyamide, Load capacity 1350 kg / castor set	A	185,-	15,-	200,-

Prices in EUR, valid EXW DE-46354 Südlohn, DE-38820 Halberstadt, unpacked
 Freight charges valid CPT Czech Republic, islands and oversea territories excluded

Price List 0424 en-CZ

Forklift Truck Attachments



Container for Long Material Type LGK	Category	Price	Freight charges	Price including freight charges
LGK, hot-dip galvanized	A	1619,-	122,-	1741,-
Castor Set, polyamide, Load capacity 1350 kg / castor set	A	185,-	15,-	200,-

Long Material Carrier Type LGT	Category	Price	Freight charges	Price including freight charges
LGT 1,5, painted	A	1863,-	172,-	2035,-
LGT 1,5, hot-dip galvanized	A	2186,-	172,-	2358,-
LGT 2,5, painted	A	2090,-	on request	on request
LGT 2,5, hot-dip galvanized	A	2502,-	on request	on request
LGT 3,5, painted	A	2887,-	on request	on request
LGT 3,5, hot-dip galvanized	A	3545,-	on request	on request
LGT 4,5, painted	A	3190,-	on request	on request
LGT 4,5, hot-dip galvanized	A	3933,-	on request	on request

Drum Claw Type LGZ	Category	Price	Freight charges	Price including freight charges
LGZ 60, painted	B	217,-	32,-	249,-
LGZ 60, galvanized	B	203,-	32,-	235,-
LGZ 200, painted	B	217,-	32,-	249,-
LGZ 200, galvanized	B	203,-	32,-	235,-

Crane Hook Type LH	Category	Price	Freight charges	Price including freight charges
LH-I 1,0, painted	A	192,-	32,-	224,-
LH-I 1,0, hot-dip galvanized	A	215,-	32,-	247,-
LH-I 1,5, painted	A	210,-	32,-	242,-
LH-I 1,5, hot-dip galvanized	A	233,-	32,-	265,-
LH-I 2,0, painted	A	221,-	32,-	253,-
LH-I 2,0, hot-dip galvanized	A	245,-	32,-	277,-
LH-I 2,5, painted	A	246,-	32,-	278,-
LH-I 2,5, hot-dip galvanized	A	269,-	32,-	301,-
LH-I 3,0, painted	A	319,-	32,-	351,-
LH-I 3,0, hot-dip galvanized	A	343,-	32,-	375,-
LH-II 1,5, painted	A	317,-	32,-	349,-
LH-II 1,5, hot-dip galvanized	A	365,-	32,-	397,-
LH-II 2,5, painted	A	419,-	32,-	451,-
LH-II 2,5, hot-dip galvanized	A	498,-	32,-	530,-
LH-II 5,0, painted	A	695,-	88,-	783,-
LH-II 5,0, hot-dip galvanized	A	780,-	88,-	868,-
LH-II 7,5, painted	A	827,-	88,-	915,-
LH-II 7,5, hot-dip galvanized	A	916,-	88,-	1004,-

Long Load Handler Type LSL	Category	Price	Freight charges	Price including freight charges
LSL, painted	A	1102,-	122,-	1224,-
LSL, hot-dip galvanized	A	1265,-	122,-	1387,-

Long Material Sidecar Type LSW	Category	Price	Freight charges	Price including freight charges
LSW 1,3, painted	A	920,-	88,-	1008,-

Prices in EUR, valid EXW DE-46354 Südlohn, DE-38820 Halberstadt, unpacked
Freight charges valid CPT Czech Republic, islands and oversea territories excluded

Price List 0424 en-CZ

Forklift Truck Attachments



Long Material Sidecar Type LSW	Category	Price	Freight charges	Price including freight charges
LSW 1,3, hot-dip galvanized	A	982,-	122,-	1104,-
LSW 2,5, painted	A	1093,-	88,-	1181,-
LSW 2,5, hot-dip galvanized	A	1156,-	122,-	1278,-
Access Safety Platform Type MB-B	Category	Price	Freight charges	Price including freight charges
MB-B, painted	A	1048,-	122,-	1170,-
Castor Set, polyamide, Load capacity 1050 kg / castor set	A	131,-	15,-	146,-
Access Safety Platform Type MB-B/L	Category	Price	Freight charges	Price including freight charges
MB-B/L, painted	A	1230,-	122,-	1352,-
Castor Set, polyamide, Load capacity 1050 kg / castor set	A	131,-	15,-	146,-
Access Safety Platform Type MB-D	Category	Price	Freight charges	Price including freight charges
MB-D, painted	A	877,-	122,-	999,-
Castor Set, polyamide, Load capacity 1050 kg / castor set	A	131,-	15,-	146,-
Access Safety Platform Type MB-D/L	Category	Price	Freight charges	Price including freight charges
MB-D/L, painted	A	1058,-	122,-	1180,-
Castor Set, polyamide, Load capacity 1050 kg / castor set	A	131,-	15,-	146,-
Access Safety Platform Type MB-F	Category	Price	Freight charges	Price including freight charges
MB-F, painted	A	1037,-	122,-	1159,-
Castor Set, polyamide, Load capacity 1050 kg / castor set	A	131,-	15,-	146,-
Access Safety Platform Type MB-II	Category	Price	Freight charges	Price including freight charges
MB-II, painted	A	960,-	122,-	1082,-
Castor Set, polyamide, Load capacity 1050 kg / castor set	A	131,-	15,-	146,-
MB-II, hot-dip galvanized	A	1131,-	122,-	1253,-
Castor Set, polyamide, Load capacity 1050 kg / castor set	A	131,-	15,-	146,-
Access Safety Platform Type MB-K-IV	Category	Price	Freight charges	Price including freight charges
MB-K-IV, painted	A	1943,-	172,-	2115,-
Access Safety Platform Type MB-ST	Category	Price	Freight charges	Price including freight charges
MB-ST, painted	A	2488,-	122,-	2610,-
Castor Set, polyamide, Load capacity 1050 kg / castor set	A	131,-	15,-	146,-
Access Safety Platform Type MB-ST/L	Category	Price	Freight charges	Price including freight charges
MB-ST/L, painted	A	2670,-	122,-	2792,-
Castor Set, polyamide, Load capacity 1050 kg / castor set	A	131,-	15,-	146,-
Access Safety Platform Type MB-ST/T	Category	Price	Freight charges	Price including freight charges
MB-ST/T, painted	A	2804,-	122,-	2926,-
Castor Set, polyamide, Load capacity 1050 kg / castor set	A	131,-	15,-	146,-

Prices in EUR, valid EXW DE-46354 Südlohn, DE-38820 Halberstadt, unpacked
 Freight charges valid CPT Czech Republic, islands and oversea territories excluded

Price List 0424 en-CZ

Forklift Truck Attachments



Access Safety Platform Type MB-ST/T/L	Category	Price	Freight charges	Price including freight charges
MB-ST/T/L, painted	A	2987,-	122,-	3109,-
Castor Set, polyamide, Load capacity 1050 kg / castor set	A	131,-	15,-	146,-

Mini Tilting Container Type MGU	Category	Price	Freight charges	Price including freight charges
MGU 230, painted	A	549,-	88,-	637,-
Lid, galvanized	A	126,-	18,-	144,-
Castor Set, polyamide, Load capacity 1050 kg / castor set	A	150,-	15,-	165,-
Skip Body Welded Oil and Watertight	A	75,-	0,-	75,-
MGU 230, hot-dip galvanized	A	632,-	122,-	754,-
Lid, galvanized	A	126,-	18,-	144,-
Castor Set, polyamide, Load capacity 1050 kg / castor set	A	150,-	15,-	165,-
Skip Body Welded Oil and Watertight	A	75,-	0,-	75,-
MGU 270, painted	A	600,-	122,-	722,-
Lid, galvanized	A	126,-	18,-	144,-
Castor Set, polyamide, Load capacity 1050 kg / castor set	A	150,-	15,-	165,-
Skip Body Welded Oil and Watertight	A	75,-	0,-	75,-
MGU 270, hot-dip galvanized	A	704,-	122,-	826,-
Lid, galvanized	A	126,-	18,-	144,-
Castor Set, polyamide, Load capacity 1050 kg / castor set	A	150,-	15,-	165,-
Skip Body Welded Oil and Watertight	A	75,-	0,-	75,-
MGU 460, painted	A	787,-	122,-	909,-
Lid, galvanized	A	163,-	22,-	185,-
Castor Set, polyamide, Load capacity 1050 kg / castor set	A	150,-	15,-	165,-
Skip Body Welded Oil and Watertight	A	75,-	0,-	75,-
MGU 460, hot-dip galvanized	A	934,-	122,-	1056,-
Lid, galvanized	A	163,-	22,-	185,-
Castor Set, polyamide, Load capacity 1050 kg / castor set	A	150,-	15,-	165,-
Skip Body Welded Oil and Watertight	A	75,-	0,-	75,-
MGU 610, painted	A	887,-	122,-	1009,-
Lid, galvanized	A	174,-	26,-	200,-
Castor Set, polyamide, Load capacity 1050 kg / castor set	A	150,-	15,-	165,-
Skip Body Welded Oil and Watertight	A	75,-	0,-	75,-
MGU 610, hot-dip galvanized	A	1052,-	122,-	1174,-
Lid, galvanized	A	174,-	26,-	200,-
Castor Set, polyamide, Load capacity 1050 kg / castor set	A	150,-	15,-	165,-
Skip Body Welded Oil and Watertight	A	75,-	0,-	75,-

Wheelie Bin Jack Type MH	Category	Price	Freight charges	Price including freight charges
MH-I, painted	A	634,-	88,-	722,-
MH-II, painted	A	700,-	88,-	788,-
MH-III, painted	A	757,-	88,-	845,-

Wheelie Bin Tipper Type MK	Category	Price	Freight charges	Price including freight charges
MK 120, painted	A	1229,-	88,-	1317,-
MK 240, painted	A	1229,-	88,-	1317,-

Prices in EUR, valid EXW DE-46354 Südlohn, DE-38820 Halberstadt, unpacked
 Freight charges valid CPT Czech Republic, islands and oversea territories excluded

Price List 0424 en-CZ

Forklift Truck Attachments



Wheellie Bin Tipper Type MK-H	Category	Price	Freight charges	Price including freight charges
MK-H 120, painted	A	1837,-	88,-	1925,-
MK-H 240, painted	A	1837,-	122,-	1959,-

Mini Container With Drop Away Base Type MSB	Category	Price	Freight charges	Price including freight charges
MSB 150, painted	A	614,-	88,-	702,-
Castor Set, polyamide, Load capacity 1050 kg / castor set	A	150,-	15,-	165,-
Guiding Plates, galvanized	A	70,-	12,-	82,-
MSB 150, hot-dip galvanized	A	720,-	88,-	808,-
Castor Set, polyamide, Load capacity 1050 kg / castor set	A	150,-	15,-	165,-
Guiding Plates, galvanized	A	70,-	12,-	82,-
MSB 250, painted	A	666,-	88,-	754,-
Castor Set, polyamide, Load capacity 1050 kg / castor set	A	150,-	15,-	165,-
Guiding Plates, galvanized	A	70,-	12,-	82,-
MSB 250, hot-dip galvanized	A	798,-	88,-	886,-
Castor Set, polyamide, Load capacity 1050 kg / castor set	A	150,-	15,-	165,-
Guiding Plates, galvanized	A	70,-	12,-	82,-
MSB 400, painted	A	821,-	122,-	943,-
Castor Set, polyamide, Load capacity 1050 kg / castor set	A	150,-	15,-	165,-
Guiding Plates, galvanized	A	70,-	12,-	82,-
MSB 400, hot-dip galvanized	A	983,-	122,-	1105,-
Castor Set, polyamide, Load capacity 1050 kg / castor set	A	150,-	15,-	165,-
Guiding Plates, galvanized	A	70,-	12,-	82,-

Tilting Container Type NK	Category	Price	Freight charges	Price including freight charges
NK 30, painted	A	676,-	122,-	798,-
Lid, galvanized	A	94,-	15,-	109,-
Castor Set, polyamide, Load capacity 1350 kg / castor set	A	185,-	15,-	200,-
Skip Body Welded Oil and Watertight	A	75,-	0,-	75,-
NK 30, hot-dip galvanized	A	950,-	122,-	1072,-
Lid, galvanized	A	94,-	15,-	109,-
Castor Set, polyamide, Load capacity 1350 kg / castor set	A	185,-	15,-	200,-
Skip Body Welded Oil and Watertight	A	75,-	0,-	75,-
NK 50, painted	A	950,-	122,-	1072,-
Lid, galvanized	A	94,-	18,-	112,-
Castor Set, polyamide, Load capacity 1350 kg / castor set	A	185,-	15,-	200,-
Skip Body Welded Oil and Watertight	A	75,-	0,-	75,-
NK 50, hot-dip galvanized	A	1282,-	122,-	1404,-
Lid, galvanized	A	94,-	18,-	112,-
Castor Set, polyamide, Load capacity 1350 kg / castor set	A	185,-	15,-	200,-
Skip Body Welded Oil and Watertight	A	75,-	0,-	75,-
NK 75, painted	A	1077,-	172,-	1249,-
Lid, galvanized	A	137,-	22,-	159,-
Castor Set, polyamide, Load capacity 1350 kg / castor set	A	185,-	15,-	200,-
Skip Body Welded Oil and Watertight	A	75,-	0,-	75,-
NK 75, hot-dip galvanized	A	1684,-	172,-	1856,-

Prices in EUR, valid EXW DE-46354 Südlohn, DE-38820 Halberstadt, unpacked
 Freight charges valid CPT Czech Republic, islands and oversea territories excluded

Price List 0424 en-CZ

Forklift Truck Attachments



Tilting Container Type NK	Category	Price	Freight charges	Price including freight charges
Lid, galvanized	A	137,-	22,-	159,-
Castor Set, polyamide, Load capacity 1350 kg / castor set	A	185,-	15,-	200,-
Skip Body Welded Oil and Watertight	A	75,-	0,-	75,-
NK 100, painted	A	1457,-	172,-	1629,-
Lid, galvanized	A	167,-	27,-	194,-
Castor Set, polyamide, Load capacity 1350 kg / castor set	A	185,-	15,-	200,-
Skip Body Welded Oil and Watertight	A	116,-	0,-	116,-
NK 100, hot-dip galvanized	A	2000,-	172,-	2172,-
Lid, galvanized	A	167,-	27,-	194,-
Castor Set, polyamide, Load capacity 1350 kg / castor set	A	185,-	15,-	200,-
Skip Body Welded Oil and Watertight	A	116,-	0,-	116,-
Cylindrical Container Type RB	Category	Price	Freight charges	Price including freight charges
RB 300, painted	A	656,-	88,-	744,-
Lid, aluminium	A	154,-	14,-	168,-
Castor Set, polyamide, Load capacity 1050 kg / castor set	A	150,-	15,-	165,-
RB 300, hot-dip galvanized	A	763,-	88,-	851,-
Lid, aluminium	A	154,-	14,-	168,-
Castor Set, polyamide, Load capacity 1050 kg / castor set	A	150,-	15,-	165,-
RB 450, painted	A	766,-	88,-	854,-
Lid, aluminium	A	154,-	14,-	168,-
Castor Set, polyamide, Load capacity 1050 kg / castor set	A	150,-	15,-	165,-
RB 450, hot-dip galvanized	A	895,-	88,-	983,-
Lid, aluminium	A	154,-	14,-	168,-
Castor Set, polyamide, Load capacity 1050 kg / castor set	A	150,-	15,-	165,-
Tilting Container Type RD	Category	Price	Freight charges	Price including freight charges
RD 750, painted	A	1161,-	172,-	1333,-
Castor Set, polyamide, Load capacity 1350 kg / castor set	A	185,-	15,-	200,-
Skip Body Welded Oil and Watertight	A	75,-	0,-	75,-
RD 750, hot-dip galvanized	A	1547,-	172,-	1719,-
Castor Set, polyamide, Load capacity 1350 kg / castor set	A	185,-	15,-	200,-
Skip Body Welded Oil and Watertight	A	75,-	0,-	75,-
RD 1000, painted	A	1400,-	172,-	1572,-
Castor Set, polyamide, Load capacity 1350 kg / castor set	A	185,-	15,-	200,-
Skip Body Welded Oil and Watertight	A	116,-	0,-	116,-
RD 1000, hot-dip galvanized	A	1867,-	172,-	2039,-
Castor Set, polyamide, Load capacity 1350 kg / castor set	A	185,-	15,-	200,-
Skip Body Welded Oil and Watertight	A	116,-	0,-	116,-
Platform for Off-Cuts Type RGP	Category	Price	Freight charges	Price including freight charges
RGP-1, painted	A	2354,-	on request	on request
RGP-1, hot-dip galvanized	A	3012,-	on request	on request
RGP-2, painted	A	2578,-	on request	on request
RGP-2, hot-dip galvanized	A	3437,-	on request	on request

Prices in EUR, valid EXW DE-46354 Südlohn, DE-38820 Halberstadt, unpacked
Freight charges valid CPT Czech Republic, islands and oversea territories excluded

Price List 0424 en-CZ

Forklift Truck Attachments



Platform for Off-Cuts Type RGP	Category	Price	Freight charges	Price including freight charges
RGP-3, painted	A	2808,-	on request	on request
RGP-3, hot-dip galvanized	A	3783,-	on request	on request
Shunting Aid Type RH	Category	Price	Freight charges	Price including freight charges
RH, painted	A	411,-	32,-	443,-
Shunting Aid Type RH-AC	Category	Price	Freight charges	Price including freight charges
RH-AC, painted	A	2227,-	172,-	2399,-
Shunting Aid Type RH-RA	Category	Price	Freight charges	Price including freight charges
RH-RA, painted	A	1532,-	88,-	1620,-
Shunting Aid Type RH-RAK	Category	Price	Freight charges	Price including freight charges
RH-RAK, painted	A	1633,-	88,-	1721,-
Shunting Aid Type RH-RM	Category	Price	Freight charges	Price including freight charges
RH-RM, painted	A	1138,-	88,-	1226,-
Shunting Aid Type RH-RMK	Category	Price	Freight charges	Price including freight charges
RH-RMK, painted	A	1241,-	88,-	1329,-
Drum Lifter Type RS 60	Category	Price	Freight charges	Price including freight charges
RS 60-I, painted	B	978,-	88,-	1066,-
RS 60-I, hot-dip galvanized	B	1039,-	88,-	1127,-
RS 60-II, painted	B	1655,-	88,-	1743,-
RS 60-II, hot-dip galvanized	B	1737,-	88,-	1825,-
Drum Lifter Type RS	Category	Price	Freight charges	Price including freight charges
RS-I/91, painted	B	1643,-	122,-	1765,-
RS-I/91, hot-dip galvanized	B	1879,-	122,-	2001,-
RS-II/91, painted	B	2848,-	122,-	2970,-
RS-II/91, hot-dip galvanized	B	3207,-	122,-	3329,-
RS-I/M, painted	B	1503,-	88,-	1591,-
RS-I/M, hot-dip galvanized	B	1737,-	122,-	1859,-
RS-II/M, painted	B	2572,-	122,-	2694,-
RS-II/M, hot-dip galvanized	B	2927,-	122,-	3049,-
Drum Lifter Type RS/D 91	Category	Price	Freight charges	Price including freight charges
RS-I/D 91, painted	B	1437,-	122,-	1559,-
RS-I/D 91, hot-dip galvanized	B	1671,-	122,-	1793,-
RS-II/D 91, painted	B	2435,-	122,-	2557,-
RS-II/D 91, hot-dip galvanized	B	2789,-	122,-	2911,-

Prices in EUR, valid EXW DE-46354 Südlohn, DE-38820 Halberstadt, unpacked
Freight charges valid CPT Czech Republic, islands and oversea territories excluded

Price List 0424 en-CZ

Forklift Truck Attachments



Swarf Tilting Container Type S3S	Category	Price	Freight charges	Price including freight charges
S3S 300, painted	A	1311,-	122,-	1433,-
Lid, galvanized	A	168,-	18,-	186,-
Castor Set, polyamide, Load capacity 1050 kg / castor set	A	131,-	15,-	146,-
S3S 300, hot-dip galvanized	A	1404,-	172,-	1576,-
Lid, galvanized	A	168,-	18,-	186,-
Castor Set, polyamide, Load capacity 1050 kg / castor set	A	131,-	15,-	146,-
S3S 600, painted	A	1365,-	172,-	1537,-
Lid, galvanized	A	189,-	22,-	211,-
Castor Set, polyamide, Load capacity 1050 kg / castor set	A	131,-	15,-	146,-
S3S 600, hot-dip galvanized	A	1462,-	172,-	1634,-
Lid, galvanized	A	189,-	22,-	211,-
Castor Set, polyamide, Load capacity 1050 kg / castor set	A	131,-	15,-	146,-
Swarf Tilting Container Type S4A	Category	Price	Freight charges	Price including freight charges
S4A 600, painted	A	1228,-	122,-	1350,-
Lid, galvanized	A	189,-	22,-	211,-
S4A 600, hot-dip galvanized	A	1370,-	122,-	1492,-
Lid, galvanized	A	189,-	22,-	211,-
S4A 900, painted	A	1360,-	172,-	1532,-
Lid, galvanized	A	215,-	27,-	242,-
S4A 900, hot-dip galvanized	A	1541,-	172,-	1713,-
Lid, galvanized	A	215,-	27,-	242,-
S4A 1200, painted	A	1446,-	172,-	1618,-
Lid, galvanized	A	215,-	26,-	241,-
S4A 1200, hot-dip galvanized	A	1671,-	172,-	1843,-
Lid, galvanized	A	215,-	26,-	241,-
Container With Drop Away Base Type SB	Category	Price	Freight charges	Price including freight charges
SB 500, painted	B	966,-	122,-	1088,-
Lid, galvanized	B	138,-	16,-	154,-
Castor Set, polyamide, Load capacity 1350 kg / castor set	A	185,-	15,-	200,-
Castor Set, polyamide, Load capacity 2550 kg / castor set	A	366,-	15,-	381,-
SB 500, hot-dip galvanized	B	1258,-	122,-	1380,-
Lid, galvanized	B	138,-	16,-	154,-
Castor Set, polyamide, Load capacity 1350 kg / castor set	A	185,-	15,-	200,-
Castor Set, polyamide, Load capacity 2550 kg / castor set	A	366,-	15,-	381,-
SB 750, painted	B	1057,-	122,-	1179,-
Lid, galvanized	B	138,-	16,-	154,-
Castor Set, polyamide, Load capacity 1350 kg / castor set	A	185,-	15,-	200,-
Castor Set, polyamide, Load capacity 2550 kg / castor set	A	366,-	15,-	381,-
SB 750, hot-dip galvanized	B	1468,-	172,-	1640,-
Lid, galvanized	B	138,-	16,-	154,-
Castor Set, polyamide, Load capacity 1350 kg / castor set	A	185,-	15,-	200,-
Castor Set, polyamide, Load capacity 2550 kg / castor set	A	366,-	15,-	381,-
SB 1000, painted	B	1251,-	172,-	1423,-

Prices in EUR, valid EXW DE-46354 Südlohn, DE-38820 Halberstadt, unpacked
Freight charges valid CPT Czech Republic, islands and oversea territories excluded

Price List 0424 en-CZ

Forklift Truck Attachments



Container With Drop Away Base Type SB	Category	Price	Freight charges	Price including freight charges
Lid, galvanized	B	138,-	16,-	154,-
Castor Set, polyamide, Load capacity 1350 kg / castor set	A	185,-	15,-	200,-
Castor Set, polyamide, Load capacity 2550 kg / castor set	A	366,-	15,-	381,-
SB 1000, hot-dip galvanized	B	1740,-	172,-	1912,-
Lid, galvanized	B	138,-	16,-	154,-
Castor Set, polyamide, Load capacity 1350 kg / castor set	A	185,-	15,-	200,-
Castor Set, polyamide, Load capacity 2550 kg / castor set	A	366,-	15,-	381,-
SB 1500, painted	B	1695,-	172,-	1867,-
Lid, galvanized	B	245,-	21,-	266,-
Castor Set, polyamide, Load capacity 1350 kg / castor set	A	185,-	15,-	200,-
Castor Set, polyamide, Load capacity 2550 kg / castor set	A	366,-	15,-	381,-
SB 1500, hot-dip galvanized	B	2360,-	217,-	2577,-
Lid, galvanized	B	245,-	21,-	266,-
Castor Set, polyamide, Load capacity 1350 kg / castor set	A	185,-	15,-	200,-
Castor Set, polyamide, Load capacity 2550 kg / castor set	A	366,-	15,-	381,-
SB 2000, painted	B	1742,-	217,-	1959,-
Lid, galvanized	B	245,-	21,-	266,-
Castor Set, polyamide, Load capacity 1350 kg / castor set	A	185,-	15,-	200,-
Castor Set, polyamide, Load capacity 2550 kg / castor set	A	366,-	15,-	381,-
SB 2000, hot-dip galvanized	B	2493,-	217,-	2710,-
Lid, galvanized	B	245,-	21,-	266,-
Castor Set, polyamide, Load capacity 1350 kg / castor set	A	185,-	15,-	200,-
Castor Set, polyamide, Load capacity 2550 kg / castor set	A	366,-	15,-	381,-
Collecting System Type SBS	Category	Price	Freight charges	Price including freight charges
SBS 500, painted	C	385,-	122,-	507,-
Trolley TW 500, hot-dip galvanized	C	249,-	88,-	337,-
SBS 500, hot-dip galvanized	C	456,-	122,-	578,-
Trolley TW 500, hot-dip galvanized	C	249,-	88,-	337,-
SBS 1000, painted	C	491,-	122,-	613,-
Trolley TW 1000, hot-dip galvanized	C	286,-	88,-	374,-
SBS 1000, hot-dip galvanized	C	604,-	172,-	776,-
Trolley TW 1000, hot-dip galvanized	C	286,-	88,-	374,-
SBS 2000, painted	C	779,-	222,-	1001,-
Trolley TW 2000, hot-dip galvanized	C	487,-	88,-	575,-
SBS 2000, hot-dip galvanized	C	935,-	222,-	1157,-
Trolley TW 2000, hot-dip galvanized	C	487,-	88,-	575,-
Filling Hopper Type SBT	Category	Price	Freight charges	Price including freight charges
SBT, painted	A	1614,-	172,-	1786,-
Snowdozer Type SCH-F	Category	Price	Freight charges	Price including freight charges
SCH-F 150, painted	A	2157,-	172,-	2329,-
SCH-F 180, painted	A	2422,-	172,-	2594,-
SCH-F 210, painted	A	2722,-	172,-	2894,-

Prices in EUR, valid EXW DE-46354 Südlohn, DE-38820 Halberstadt, unpacked
Freight charges valid CPT Czech Republic, islands and oversea territories excluded

Price List 0424 en-CZ

Forklift Truck Attachments



Snowdozer Type SCH-F	Category	Price	Freight charges	Price including freight charges
SCH-F 240, painted	A	2990,-	267,-	3257,-
Snowdozer Type SCH-G	Category	Price	Freight charges	Price including freight charges
SCH-G 150, painted	A	1530,-	122,-	1652,-
SCH-G 180, painted	A	1671,-	122,-	1793,-
SCH-G 210, painted	A	1930,-	172,-	2102,-
SCH-G 240, painted	A	2086,-	222,-	2308,-
Snowdozer Type SCH-L	Category	Price	Freight charges	Price including freight charges
SCH-L 1500, painted	A	1142,-	122,-	1264,-
SCH-L 1500, hot-dip galvanized	A	1265,-	122,-	1387,-
SCH-L 1800, painted	A	1333,-	122,-	1455,-
SCH-L 1800, hot-dip galvanized	A	1480,-	122,-	1602,-
Snow Plough Type SCH-P-G	Category	Price	Freight charges	Price including freight charges
SCH-P-G 150, painted	A	2408,-	172,-	2580,-
SCH-P-G 180, painted	A	2586,-	172,-	2758,-
SCH-P-G 210, painted	A	2772,-	172,-	2944,-
SCH-P-G 240, painted	A	3292,-	222,-	3514,-
Snow Plough Type SCH-P-S	Category	Price	Freight charges	Price including freight charges
SCH-P-S 150, painted	A	2239,-	172,-	2411,-
SCH-P-S 180, painted	A	2392,-	172,-	2564,-
SCH-P-S 210, painted	A	2540,-	172,-	2712,-
SCH-P-S 240, painted	A	3022,-	222,-	3244,-
Snow Plough Type SCH-P-V	Category	Price	Freight charges	Price including freight charges
SCH-P-V 150, painted	A	2590,-	172,-	2762,-
SCH-P-V 180, painted	A	2849,-	172,-	3021,-
SCH-P-V 210, painted	A	3091,-	172,-	3263,-
SCH-P-V 240, painted	A	3614,-	222,-	3836,-
Snowdozer Type SCH-S	Category	Price	Freight charges	Price including freight charges
SCH-S 150, painted	A	1359,-	122,-	1481,-
SCH-S 180, painted	A	1476,-	122,-	1598,-
SCH-S 210, painted	A	1700,-	172,-	1872,-
SCH-S 240, painted	A	1816,-	222,-	2038,-
Snow Plough Type SCH-U-G	Category	Price	Freight charges	Price including freight charges
SCH-U-G 150, painted	A	2408,-	172,-	2580,-
SCH-U-G 180, painted	A	2586,-	172,-	2758,-
SCH-U-G 210, painted	A	2772,-	172,-	2944,-
SCH-U-G 240, painted	A	3292,-	222,-	3514,-

Prices in EUR, valid EXW DE-46354 Südlohn, DE-38820 Halberstadt, unpacked
Freight charges valid CPT Czech Republic, islands and oversea territories excluded

Price List 0424 en-CZ

Forklift Truck Attachments



Snow Plough Type SCH-U-S	Category	Price	Freight charges	Price including freight charges
SCH-U-S 150, painted	A	2239,-	172,-	2411,-
SCH-U-S 180, painted	A	2392,-	172,-	2564,-
SCH-U-S 210, painted	A	2540,-	172,-	2712,-
SCH-U-S 240, painted	A	3022,-	222,-	3244,-
Snow Plough Type SCH-U-V	Category	Price	Freight charges	Price including freight charges
SCH-U-V 150, painted	A	2590,-	172,-	2762,-
SCH-U-V 180, painted	A	2849,-	172,-	3021,-
SCH-U-V 210, painted	A	3091,-	172,-	3263,-
SCH-U-V 240, painted	A	3614,-	222,-	3836,-
Snowdozer Type SCH-V	Category	Price	Freight charges	Price including freight charges
SCH-V 150, painted	A	1709,-	122,-	1831,-
SCH-V 180, painted	A	1923,-	122,-	2045,-
SCH-V 210, painted	A	2252,-	172,-	2424,-
SCH-V 240, painted	A	2407,-	222,-	2629,-
Silo Container Type SG	Category	Price	Freight charges	Price including freight charges
SG 375, painted	E	979,-	122,-	1101,-
Lid, galvanized	E	126,-	28,-	154,-
SG 375, hot-dip galvanized	E	1700,-	122,-	1822,-
Lid, galvanized	E	126,-	28,-	154,-
SG 600, painted	E	1168,-	122,-	1290,-
Lid, galvanized	E	126,-	28,-	154,-
SG 600, hot-dip galvanized	E	1885,-	122,-	2007,-
Lid, galvanized	E	126,-	28,-	154,-
Silo Container Type SG-D	Category	Price	Freight charges	Price including freight charges
SG-D 375, painted	E	979,-	88,-	1067,-
Lid, galvanized	E	126,-	28,-	154,-
SG-D 375, hot-dip galvanized	E	1700,-	122,-	1822,-
Lid, galvanized	E	126,-	28,-	154,-
SG-D 600, painted	E	1168,-	122,-	1290,-
Lid, galvanized	E	126,-	28,-	154,-
SG-D 600, hot-dip galvanized	E	1885,-	122,-	2007,-
Lid, galvanized	E	126,-	28,-	154,-
Silo Container Type SGK	Category	Price	Freight charges	Price including freight charges
SGK 50, painted	A	1077,-	122,-	1199,-
SGK 50, hot-dip galvanized	A	1103,-	122,-	1225,-
SGK 75, painted	A	1172,-	122,-	1294,-
SGK 75, hot-dip galvanized	A	1208,-	122,-	1330,-
SGK 100, painted	A	1282,-	122,-	1404,-
SGK 100, hot-dip galvanized	A	1320,-	122,-	1442,-

Prices in EUR, valid EXW DE-46354 Südlohn, DE-38820 Halberstadt, unpacked
Freight charges valid CPT Czech Republic, islands and oversea territories excluded

Price List 0424 en-CZ

Forklift Truck Attachments



Silo Container Type SGS	Category	Price	Freight charges	Price including freight charges
SGS 50, painted	A	855,-	88,-	943,-
SGS 50, hot-dip galvanized	A	871,-	122,-	993,-
SGS 75, painted	A	948,-	122,-	1070,-
SGS 75, hot-dip galvanized	A	980,-	122,-	1102,-
SGS 100, painted	A	1041,-	122,-	1163,-
SGS 100, hot-dip galvanized	A	1072,-	122,-	1194,-

Swarf Tilting Container Type SGU	Category	Price	Freight charges	Price including freight charges
SGU 30, painted	A	908,-	122,-	1030,-
Lid, galvanized	A	94,-	18,-	112,-
Castor Set, polyamide, Load capacity 1350 kg / castor set	A	185,-	15,-	200,-
Crane lifting eyes for use with a crane	A	102,-	8,-	110,-
Support legs, 100 mm ground leeway	A	67,-	8,-	75,-
SGU 30, hot-dip galvanized	A	1079,-	122,-	1201,-
Lid, galvanized	A	94,-	18,-	112,-
Castor Set, polyamide, Load capacity 1350 kg / castor set	A	185,-	15,-	200,-
Crane lifting eyes for use with a crane	A	102,-	8,-	110,-
Support legs, 100 mm ground leeway	A	67,-	8,-	75,-
SGU 50, painted	A	1123,-	122,-	1245,-
Lid, galvanized	A	94,-	18,-	112,-
Castor Set, polyamide, Load capacity 1350 kg / castor set	A	185,-	15,-	200,-
Adjustable dumping brake	A	448,-	10,-	458,-
Crane lifting eyes for use with a crane	A	102,-	8,-	110,-
Support legs, 100 mm ground leeway	A	67,-	8,-	75,-
SGU 50, hot-dip galvanized	A	1359,-	122,-	1481,-
Lid, galvanized	A	94,-	18,-	112,-
Castor Set, polyamide, Load capacity 1350 kg / castor set	A	185,-	15,-	200,-
Adjustable dumping brake	A	448,-	10,-	458,-
Crane lifting eyes for use with a crane	A	102,-	8,-	110,-
Support legs, 100 mm ground leeway	A	67,-	8,-	75,-
SGU 75, painted	A	1267,-	122,-	1389,-
Lid, galvanized	A	134,-	26,-	160,-
Castor Set, polyamide, Load capacity 1350 kg / castor set	A	185,-	15,-	200,-
Adjustable dumping brake	A	448,-	10,-	458,-
Crane lifting eyes for use with a crane	A	102,-	8,-	110,-
Support legs, 100 mm ground leeway	A	67,-	8,-	75,-
SGU 75, hot-dip galvanized	A	1568,-	122,-	1690,-
Lid, galvanized	A	134,-	26,-	160,-
Castor Set, polyamide, Load capacity 1350 kg / castor set	A	185,-	15,-	200,-
Adjustable dumping brake	A	448,-	10,-	458,-
Crane lifting eyes for use with a crane	A	102,-	8,-	110,-
Support legs, 100 mm ground leeway	A	67,-	8,-	75,-
SGU 100, painted	A	1517,-	172,-	1689,-
Lid, galvanized	A	185,-	27,-	212,-
Castor Set, polyamide, Load capacity 1350 kg / castor set	A	185,-	15,-	200,-
Adjustable dumping brake	A	448,-	10,-	458,-

Prices in EUR, valid EXW DE-46354 Südlohn, DE-38820 Halberstadt, unpacked
Freight charges valid CPT Czech Republic, islands and oversea territories excluded

Price List 0424 en-CZ

Forklift Truck Attachments



Swarf Tilting Container Type SGU	Category	Price	Freight charges	Price including freight charges
Crane lifting eyes for use with a crane	A	102,-	8,-	110,-
Support legs, 100 mm ground leeway	A	67,-	8,-	75,-
SGU 100, hot-dip galvanized	A	2048,-	172,-	2220,-
Lid, galvanized	A	185,-	27,-	212,-
Castor Set, polyamide, Load capacity 1350 kg / castor set	A	185,-	15,-	200,-
Adjustable dumping brake	A	448,-	10,-	458,-
Crane lifting eyes for use with a crane	A	102,-	8,-	110,-
Support legs, 100 mm ground leeway	A	67,-	8,-	75,-
SGU 150, painted	A	1704,-	172,-	1876,-
Lid, galvanized	A	185,-	27,-	212,-
Castor Set, polyamide, Load capacity 1350 kg / castor set	A	185,-	15,-	200,-
Adjustable dumping brake	A	448,-	10,-	458,-
Crane lifting eyes for use with a crane	A	102,-	8,-	110,-
Support legs, 100 mm ground leeway	A	67,-	8,-	75,-
SGU 150, hot-dip galvanized	A	2166,-	172,-	2338,-
Lid, galvanized	A	185,-	27,-	212,-
Castor Set, polyamide, Load capacity 1350 kg / castor set	A	185,-	15,-	200,-
Adjustable dumping brake	A	448,-	10,-	458,-
Crane lifting eyes for use with a crane	A	102,-	8,-	110,-
Support legs, 100 mm ground leeway	A	67,-	8,-	75,-
SGU 200, painted	A	2140,-	217,-	2357,-
Lid, galvanized	A	218,-	32,-	250,-
Castor Set, polyamide, Load capacity 1350 kg / castor set	A	185,-	15,-	200,-
Adjustable dumping brake	A	448,-	10,-	458,-
Crane lifting eyes for use with a crane	A	102,-	8,-	110,-
Support legs, 100 mm ground leeway	A	67,-	8,-	75,-
SGU 200, hot-dip galvanized	A	2685,-	217,-	2902,-
Castor Set, polyamide, Load capacity 1350 kg / castor set	A	185,-	15,-	200,-
Lid, galvanized	A	218,-	32,-	250,-
Adjustable dumping brake	A	448,-	10,-	458,-
Crane lifting eyes for use with a crane	A	102,-	8,-	110,-
Support legs, 100 mm ground leeway	A	67,-	8,-	75,-
Swarf Tilting Container Type SGU-RZ	Category	Price	Freight charges	Price including freight charges
SGU-RZ 30, painted	A	939,-	122,-	1061,-
Lid, galvanized	A	91,-	18,-	109,-
SGU-RZ 30, hot-dip galvanized	A	1059,-	122,-	1181,-
Lid, galvanized	A	91,-	18,-	109,-
SGU-RZ 55, painted	A	1161,-	122,-	1283,-
Lid, galvanized	A	91,-	18,-	109,-
SGU-RZ 55, hot-dip galvanized	A	1269,-	122,-	1391,-
Lid, galvanized	A	91,-	18,-	109,-
Gritter Type SH	Category	Price	Freight charges	Price including freight charges
SH, painted	A	3448,-	122,-	3570,-

Prices in EUR, valid EXW DE-46354 Südlohn, DE-38820 Halberstadt, unpacked
Freight charges valid CPT Czech Republic, islands and oversea territories excluded

Price List 0424 en-CZ

Forklift Truck Attachments



Gritter Type SH	Category	Price	Freight charges	Price including freight charges
Tarpaulin	A	117,-	10,-	127,-
Forklift Safety Cage Type SIKO	Category	Price	Freight charges	Price including freight charges
SIKO, painted	A	701,-	88,-	789,-
Castor Set, polyamide, Load capacity 1050 kg / castor set	A	131,-	15,-	146,-
Forklift Safety Cage Type SIKO/L	Category	Price	Freight charges	Price including freight charges
SIKO/L, painted	A	848,-	88,-	936,-
Castor Set, polyamide, Load capacity 1050 kg / castor set	A	131,-	15,-	146,-
Forklift Safety Cage Type SIKO-G	Category	Price	Freight charges	Price including freight charges
SIKO-G, painted	A	634,-	88,-	722,-
Forklift Safety Cage Type SIKO-M	Category	Price	Freight charges	Price including freight charges
SIKO-M, painted	A	511,-	88,-	599,-
Heavy Duty Tilting Container Type SK	Category	Price	Freight charges	Price including freight charges
SK 300, painted	A	1237,-	172,-	1409,-
Lid, galvanized	A	168,-	18,-	186,-
Castor Set, polyamide, Load capacity 2550 kg / castor set	A	366,-	15,-	381,-
Skip Body Welded Oil and Watertight	A	75,-	0,-	75,-
SK 300, hot-dip galvanized	A	1502,-	172,-	1674,-
Lid, galvanized	A	168,-	18,-	186,-
Castor Set, polyamide, Load capacity 2550 kg / castor set	A	366,-	15,-	381,-
Skip Body Welded Oil and Watertight	A	75,-	0,-	75,-
SK 600, painted	A	1339,-	172,-	1511,-
Lid, galvanized	A	189,-	22,-	211,-
Castor Set, polyamide, Load capacity 2550 kg / castor set	A	366,-	15,-	381,-
Skip Body Welded Oil and Watertight	A	75,-	0,-	75,-
SK 600, hot-dip galvanized	A	1665,-	217,-	1882,-
Lid, galvanized	A	189,-	22,-	211,-
Castor Set, polyamide, Load capacity 2550 kg / castor set	A	366,-	15,-	381,-
Skip Body Welded Oil and Watertight	A	75,-	0,-	75,-
SK 900, painted	A	1458,-	217,-	1675,-
Lid, galvanized	A	215,-	27,-	242,-
Castor Set, polyamide, Load capacity 2550 kg / castor set	A	366,-	15,-	381,-
Skip Body Welded Oil and Watertight	A	75,-	0,-	75,-
SK 900, hot-dip galvanized	A	1875,-	217,-	2092,-
Lid, galvanized	A	215,-	27,-	242,-
Castor Set, polyamide, Load capacity 2550 kg / castor set	A	366,-	15,-	381,-
Skip Body Welded Oil and Watertight	A	75,-	0,-	75,-
SK 1200, painted	A	1710,-	217,-	1927,-
Lid, galvanized	A	215,-	26,-	241,-
Castor Set, polyamide, Load capacity 2550 kg / castor set	A	366,-	15,-	381,-
Skip Body Welded Oil and Watertight	A	116,-	0,-	116,-

Prices in EUR, valid EXW DE-46354 Südlohn, DE-38820 Halberstadt, unpacked
Freight charges valid CPT Czech Republic, islands and oversea territories excluded

Price List 0424 en-CZ

Forklift Truck Attachments



Heavy Duty Tilting Container Type SK	Category	Price	Freight charges	Price including freight charges
SK 1200, hot-dip galvanized	A	2200,-	287,-	2487,-
Lid, galvanized	A	215,-	26,-	241,-
Castor Set, polyamide, Load capacity 2550 kg / castor set	A	366,-	15,-	381,-
Skip Body Welded Oil and Watertight	A	116,-	0,-	116,-
SK 1700, painted	A	1799,-	287,-	2086,-
Lid, galvanized	A	266,-	33,-	299,-
Castor Set, polyamide, Load capacity 2550 kg / castor set	A	366,-	15,-	381,-
Skip Body Welded Oil and Watertight	A	116,-	0,-	116,-
SK 1700, hot-dip galvanized	A	2407,-	287,-	2694,-
Lid, galvanized	A	266,-	33,-	299,-
Castor Set, polyamide, Load capacity 2550 kg / castor set	A	366,-	15,-	381,-
Skip Body Welded Oil and Watertight	A	116,-	0,-	116,-
SK 2100, painted	A	1963,-	287,-	2250,-
Lid, galvanized	A	347,-	36,-	383,-
Castor Set, polyamide, Load capacity 2550 kg / castor set	A	366,-	15,-	381,-
Skip Body Welded Oil and Watertight	A	116,-	0,-	116,-
SK 2100, hot-dip galvanized	A	2646,-	287,-	2933,-
Lid, galvanized	A	347,-	36,-	383,-
Castor Set, polyamide, Load capacity 2550 kg / castor set	A	366,-	15,-	381,-
Skip Body Welded Oil and Watertight	A	116,-	0,-	116,-
Broom Type SKB	Category	Price	Freight charges	Price including freight charges
SKB 100, painted	A	925,-	88,-	1013,-
SKB 150, painted	A	1156,-	88,-	1244,-
SKB 200, painted	A	1425,-	88,-	1513,-
Broom Type SKB-0	Category	Price	Freight charges	Price including freight charges
SKB-0 100, painted	A	635,-	88,-	723,-
SKB-0 150, painted	A	867,-	88,-	955,-
SKB-0 200, painted	A	1136,-	88,-	1224,-
Swarf Tipping Skip Type SKK	Category	Price	Freight charges	Price including freight charges
SKK 250, painted	E	515,-	88,-	603,-
Lid, galvanized	E	131,-	15,-	146,-
Castor Set, polyamide, Load capacity 1050 kg / castor set	A	131,-	15,-	146,-
Castor Set, solid rubber, Load capacity 615 kg / castor set	E	99,-	15,-	114,-
SKK 250, hot-dip galvanized	E	563,-	88,-	651,-
Lid, galvanized	E	131,-	15,-	146,-
Castor Set, polyamide, Load capacity 1050 kg / castor set	A	131,-	15,-	146,-
Castor Set, solid rubber, Load capacity 615 kg / castor set	E	99,-	15,-	114,-
SKK 400, painted	E	579,-	88,-	667,-
Lid, galvanized	E	150,-	16,-	166,-
Castor Set, polyamide, Load capacity 1050 kg / castor set	A	131,-	15,-	146,-
Castor Set, solid rubber, Load capacity 615 kg / castor set	E	99,-	15,-	114,-
SKK 400, hot-dip galvanized	E	627,-	88,-	715,-

Prices in EUR, valid EXW DE-46354 Südlohn, DE-38820 Halberstadt, unpacked
Freight charges valid CPT Czech Republic, islands and oversea territories excluded

Price List 0424 en-CZ

Forklift Truck Attachments



Swarf Tipping Skip Type SKK	Category	Price	Freight charges	Price including freight charges
Lid, galvanized	E	150,-	16,-	166,-
Castor Set, polyamide, Load capacity 1050 kg / castor set	A	131,-	15,-	146,-
Castor Set, solid rubber, Load capacity 615 kg / castor set	E	99,-	15,-	114,-
SKK 600, painted	E	787,-	122,-	909,-
Lid, galvanized	E	167,-	20,-	187,-
Castor Set, polyamide, Load capacity 1050 kg / castor set	A	131,-	15,-	146,-
Castor Set, solid rubber, Load capacity 615 kg / castor set	E	99,-	15,-	114,-
SKK 600, hot-dip galvanized	E	883,-	122,-	1005,-
Lid, galvanized	E	167,-	20,-	187,-
Castor Set, polyamide, Load capacity 1050 kg / castor set	A	131,-	15,-	146,-
Castor Set, solid rubber, Load capacity 615 kg / castor set	E	99,-	15,-	114,-
SKK 800, painted	E	842,-	122,-	964,-
Lid, galvanized	E	174,-	21,-	195,-
Castor Set, polyamide, Load capacity 1050 kg / castor set	A	131,-	15,-	146,-
Castor Set, solid rubber, Load capacity 615 kg / castor set	E	99,-	15,-	114,-
SKK 800, hot-dip galvanized	E	946,-	122,-	1068,-
Lid, galvanized	E	174,-	21,-	195,-
Castor Set, polyamide, Load capacity 1050 kg / castor set	A	131,-	15,-	146,-
Castor Set, solid rubber, Load capacity 615 kg / castor set	E	99,-	15,-	114,-
SKK 1000, painted	E	898,-	122,-	1020,-
Lid, galvanized	E	186,-	22,-	208,-
Castor Set, polyamide, Load capacity 1050 kg / castor set	A	131,-	15,-	146,-
Castor Set, solid rubber, Load capacity 615 kg / castor set	E	99,-	15,-	114,-
SKK 1000, hot-dip galvanized	E	1027,-	122,-	1149,-
Lid, galvanized	E	186,-	22,-	208,-
Castor Set, polyamide, Load capacity 1050 kg / castor set	A	131,-	15,-	146,-
Castor Set, solid rubber, Load capacity 615 kg / castor set	E	99,-	15,-	114,-

Swarf Tilting Container Type SKM	Category	Price	Freight charges	Price including freight charges
SKM 30, painted	A	917,-	122,-	1039,-
Lid, galvanized	A	100,-	18,-	118,-
SKM 30, hot-dip galvanized	A	1109,-	122,-	1231,-
Lid, galvanized	A	100,-	18,-	118,-
SKM 50, painted	A	1178,-	122,-	1300,-
Lid, galvanized	A	152,-	28,-	180,-
SKM 50, hot-dip galvanized	A	1428,-	122,-	1550,-
Lid, galvanized	A	152,-	28,-	180,-
SKM 75, painted	A	1419,-	122,-	1541,-
Lid, galvanized	A	169,-	33,-	202,-
SKM 75, hot-dip galvanized	A	1729,-	172,-	1901,-
Lid, galvanized	A	169,-	33,-	202,-

Swarf Tipping Skip Type SKN	Category	Price	Freight charges	Price including freight charges
SKN 250, painted	E	515,-	88,-	603,-
Lid, galvanized	E	131,-	15,-	146,-

Prices in EUR, valid EXW DE-46354 Südlohn, DE-38820 Halberstadt, unpacked
 Freight charges valid CPT Czech Republic, islands and oversea territories excluded

Price List 0424 en-CZ

Forklift Truck Attachments



Swarf Tipping Skip Type SKN	Category	Price	Freight charges	Price including freight charges
Castor Set, polyamide, Load capacity 1050 kg / castor set	A	131,-	15,-	146,-
Castor Set, solid rubber, Load capacity 615 kg / castor set	E	99,-	15,-	114,-
SKN 250, hot-dip galvanized	E	563,-	88,-	651,-
Lid, galvanized	E	131,-	15,-	146,-
Castor Set, polyamide, Load capacity 1050 kg / castor set	A	131,-	15,-	146,-
Castor Set, solid rubber, Load capacity 615 kg / castor set	E	99,-	15,-	114,-
SKN 400, painted	E	579,-	88,-	667,-
Lid, galvanized	E	150,-	16,-	166,-
Castor Set, polyamide, Load capacity 1050 kg / castor set	A	131,-	15,-	146,-
Castor Set, solid rubber, Load capacity 615 kg / castor set	E	99,-	15,-	114,-
SKN 400, hot-dip galvanized	E	627,-	88,-	715,-
Lid, galvanized	E	150,-	16,-	166,-
Castor Set, polyamide, Load capacity 1050 kg / castor set	A	131,-	15,-	146,-
Castor Set, solid rubber, Load capacity 615 kg / castor set	E	99,-	15,-	114,-

Swarf Tipping Skip Type SKS	Category	Price	Freight charges	Price including freight charges
SKS 400, painted	E	914,-	122,-	1036,-
SKS 550, painted	E	978,-	122,-	1100,-
SKS 700, painted	E	1035,-	122,-	1157,-

Swarf Barrow Tipper Type SKW-ET	Category	Price	Freight charges	Price including freight charges
SKW-ET 250, painted	E	616,-	88,-	704,-
Lid, galvanized	E	131,-	15,-	146,-
SKW-ET 250, hot-dip galvanized	E	942,-	88,-	1030,-
Lid, galvanized	E	131,-	15,-	146,-
SKW-ET 400, painted	E	673,-	88,-	761,-
Lid, galvanized	E	150,-	16,-	166,-
SKW-ET 400, hot-dip galvanized	E	1034,-	88,-	1122,-
Lid, galvanized	E	150,-	16,-	166,-
SKW-ET 600, painted	E	822,-	122,-	944,-
Lid, galvanized	E	167,-	20,-	187,-
SKW-ET 600, hot-dip galvanized	E	1191,-	122,-	1313,-
Lid, galvanized	E	167,-	20,-	187,-
SKW-ET 1000, painted	E	997,-	122,-	1119,-
Lid, galvanized	E	186,-	22,-	208,-
SKW-ET 1000, hot-dip galvanized	E	1587,-	122,-	1709,-
Lid, galvanized	E	186,-	22,-	208,-

Mini Swarf Tilting Container Type SMGU	Category	Price	Freight charges	Price including freight charges
SMGU 230, painted	A	665,-	88,-	753,-
Lid, galvanized	A	126,-	18,-	144,-
Castor Set, polyamide, Load capacity 1050 kg / castor set	A	150,-	15,-	165,-
SMGU 230, hot-dip galvanized	A	748,-	122,-	870,-
Lid, galvanized	A	126,-	18,-	144,-
Castor Set, polyamide, Load capacity 1050 kg / castor set	A	150,-	15,-	165,-

Prices in EUR, valid EXW DE-46354 Südlohn, DE-38820 Halberstadt, unpacked
 Freight charges valid CPT Czech Republic, islands and oversea territories excluded

Price List 0424 en-CZ

Forklift Truck Attachments



Mini Swarf Tilting Container Type SMGU	Category	Price	Freight charges	Price including freight charges
SMGU 270, painted	A	718,-	122,-	840,-
Lid, galvanized	A	126,-	18,-	144,-
Castor Set, polyamide, Load capacity 1050 kg / castor set	A	150,-	15,-	165,-
SMGU 270, hot-dip galvanized	A	821,-	122,-	943,-
Lid, galvanized	A	126,-	18,-	144,-
Castor Set, polyamide, Load capacity 1050 kg / castor set	A	150,-	15,-	165,-
SMGU 460, painted	A	903,-	122,-	1025,-
Lid, galvanized	A	163,-	22,-	185,-
Castor Set, polyamide, Load capacity 1050 kg / castor set	A	150,-	15,-	165,-
SMGU 460, hot-dip galvanized	A	1051,-	122,-	1173,-
Lid, galvanized	A	163,-	22,-	185,-
Castor Set, polyamide, Load capacity 1050 kg / castor set	A	150,-	15,-	165,-
SMGU 610, painted	A	1005,-	122,-	1127,-
Lid, galvanized	A	174,-	26,-	200,-
Castor Set, polyamide, Load capacity 1050 kg / castor set	A	150,-	15,-	165,-
SMGU 610, hot-dip galvanized	A	1168,-	122,-	1290,-
Lid, galvanized	A	174,-	26,-	200,-
Castor Set, polyamide, Load capacity 1050 kg / castor set	A	150,-	15,-	165,-

Silo Container Type SR	Category	Price	Freight charges	Price including freight charges
SR 375, painted	E	815,-	88,-	903,-
Lid, galvanized	E	126,-	33,-	159,-
SR 375, hot-dip galvanized	E	1530,-	88,-	1618,-
Lid, galvanized	E	126,-	33,-	159,-
SR 600, painted	E	1012,-	122,-	1134,-
Lid, galvanized	E	126,-	33,-	159,-
SR 600, hot-dip galvanized	E	1740,-	122,-	1862,-
Lid, galvanized	E	126,-	33,-	159,-

Silo Container Type SR-D	Category	Price	Freight charges	Price including freight charges
SR-D 375, painted	E	815,-	88,-	903,-
Lid, galvanized	E	126,-	33,-	159,-
SR-D 375, hot-dip galvanized	E	1530,-	88,-	1618,-
Lid, galvanized	E	126,-	33,-	159,-
SR-D 600, painted	E	1012,-	122,-	1134,-
Lid, galvanized	E	126,-	33,-	159,-
SR-D 600, hot-dip galvanized	E	1740,-	122,-	1862,-
Lid, galvanized	E	126,-	33,-	159,-

Silo Container Type SRE	Category	Price	Freight charges	Price including freight charges
SRE 375, painted	E	929,-	122,-	1051,-
Lid, galvanized	E	126,-	33,-	159,-
SRE 375, hot-dip galvanized	E	1664,-	122,-	1786,-
Lid, galvanized	E	126,-	33,-	159,-
SRE 600, painted	E	1131,-	122,-	1253,-

Prices in EUR, valid EXW DE-46354 Südlohn, DE-38820 Halberstadt, unpacked
 Freight charges valid CPT Czech Republic, islands and oversea territories excluded

Price List 0424 en-CZ

Forklift Truck Attachments



Silo Container Type SRE	Category	Price	Freight charges	Price including freight charges
Lid, galvanized	E	126,-	33,-	159,-
SRE 600, hot-dip galvanized	E	1794,-	122,-	1916,-
Lid, galvanized	E	126,-	33,-	159,-
Silo Container Type SRE-D	Category	Price	Freight charges	Price including freight charges
SRE-D 375, painted	E	929,-	88,-	1017,-
Lid, galvanized	E	126,-	33,-	159,-
SRE-D 375, hot-dip galvanized	E	1664,-	122,-	1786,-
Lid, galvanized	E	126,-	33,-	159,-
SRE-D 600, painted	E	1131,-	122,-	1253,-
Lid, galvanized	E	126,-	33,-	159,-
SRE-D 600, hot-dip galvanized	E	1794,-	122,-	1916,-
Lid, galvanized	E	126,-	33,-	159,-
Forklift Tender System Type STS	Category	Price	Freight charges	Price including freight charges
STS 2,5, painted	C	3726,-	on request	on request
STS 5,0, painted	C	4392,-	on request	on request
Spreader Type STW	Category	Price	Freight charges	Price including freight charges
STW 100, painted	A	1174,-	88,-	1262,-
Tarpaulin	A	112,-	10,-	122,-
STW 260, painted	A	2074,-	88,-	2162,-
Tarpaulin	A	117,-	10,-	127,-
Traverse for Big Bags Type TBB	Category	Price	Freight charges	Price including freight charges
TBB, painted	A	870,-	88,-	958,-
Traverse For Big Bags Type TBB-E	Category	Price	Freight charges	Price including freight charges
TBB-E, painted	A	823,-	88,-	911,-
Traverse For Big Bags Type TBB-W	Category	Price	Freight charges	Price including freight charges
TBB-W, painted	A	1056,-	88,-	1144,-
Mini Lifting Beam Type TM	Category	Price	Freight charges	Price including freight charges
TM 200-500, hot-dip galvanized	F	385,-	32,-	417,-
TM 400-800, hot-dip galvanized	F	414,-	32,-	446,-
TM 800-1200, hot-dip galvanized	F	546,-	32,-	578,-
Tilting Container Type TRIO	Category	Price	Freight charges	Price including freight charges
TRIO, painted	A	2254,-	217,-	2471,-
Lid, galvanized	A	207,-	26,-	233,-
Castor Set, polyamide, Load capacity 1350 kg / castor set	A	185,-	15,-	200,-
Set of 5 self-adhesive stickers with symbols for: glass, paper, plastic, metal, residual waste	A	28,-	on request	on request

Prices in EUR, valid EXW DE-46354 Südlohn, DE-38820 Halberstadt, unpacked
Freight charges valid CPT Czech Republic, islands and oversea territories excluded

Price List 0424 en-CZ

Forklift Truck Attachments



Universal Container Type UC	Category	Price	Freight charges	Price including freight charges
UC 500, painted	A	652,-	88,-	740,-
Lid, galvanized	A	162,-	16,-	178,-
Castor Set, polyamide, Load capacity 1350 kg / castor set	A	185,-	15,-	200,-
Pick-up Profile on Type UC for Traverse Type UCT	A	102,-	0,-	102,-
UC 500, hot-dip galvanized	A	744,-	122,-	866,-
Lid, galvanized	A	162,-	16,-	178,-
Castor Set, polyamide, Load capacity 1350 kg / castor set	A	185,-	15,-	200,-
Pick-up Profile on Type UC for Traverse Type UCT	A	102,-	0,-	102,-
UC 750, painted	A	709,-	122,-	831,-
Lid, galvanized	A	162,-	16,-	178,-
Castor Set, polyamide, Load capacity 1350 kg / castor set	A	185,-	15,-	200,-
Pick-up Profile on Type UC for Traverse Type UCT	A	102,-	0,-	102,-
UC 750, hot-dip galvanized	A	824,-	122,-	946,-
Lid, galvanized	A	162,-	16,-	178,-
Castor Set, polyamide, Load capacity 1350 kg / castor set	A	185,-	15,-	200,-
Pick-up Profile on Type UC for Traverse Type UCT	A	102,-	0,-	102,-
UC 1000, painted	A	744,-	122,-	866,-
Lid, galvanized	A	162,-	16,-	178,-
Castor Set, polyamide, Load capacity 1350 kg / castor set	A	185,-	15,-	200,-
Pick-up Profile on Type UC for Traverse Type UCT	A	102,-	0,-	102,-
UC 1000, hot-dip galvanized	A	863,-	122,-	985,-
Lid, galvanized	A	162,-	16,-	178,-
Castor Set, polyamide, Load capacity 1350 kg / castor set	A	185,-	15,-	200,-
Pick-up Profile on Type UC for Traverse Type UCT	A	102,-	0,-	102,-
Hydraulic Traverse Type UCT	Category	Price	Freight charges	Price including freight charges
UCT, painted	A	2644,-	172,-	2816,-
Tilting Container Type VD	Category	Price	Freight charges	Price including freight charges
VD 500, painted	A	767,-	122,-	889,-
Lid, galvanized	A	139,-	18,-	157,-
Castor Set, polyamide, Load capacity 1350 kg / castor set	A	185,-	15,-	200,-
Skip Body Welded Oil and Watertight	A	75,-	0,-	75,-
VD 500, hot-dip galvanized	A	998,-	122,-	1120,-
Lid, galvanized	A	139,-	18,-	157,-
Castor Set, polyamide, Load capacity 1350 kg / castor set	A	185,-	15,-	200,-
Skip Body Welded Oil and Watertight	A	75,-	0,-	75,-
VD 650, painted	A	838,-	122,-	960,-
Lid, galvanized	A	139,-	18,-	157,-
Castor Set, polyamide, Load capacity 1350 kg / castor set	A	185,-	15,-	200,-
Skip Body Welded Oil and Watertight	A	75,-	0,-	75,-
VD 650, hot-dip galvanized	A	1091,-	122,-	1213,-
Lid, galvanized	A	139,-	18,-	157,-
Castor Set, polyamide, Load capacity 1350 kg / castor set	A	185,-	15,-	200,-
Skip Body Welded Oil and Watertight	A	75,-	0,-	75,-

Prices in EUR, valid EXW DE-46354 Südlohn, DE-38820 Halberstadt, unpacked
Freight charges valid CPT Czech Republic, islands and oversea territories excluded

Price List 0424 en-CZ

Forklift Truck Attachments



Tilting Container Type VD	Category	Price	Freight charges	Price including freight charges
VD 800, painted	A	957,-	122,-	1079,-
Lid, galvanized	A	168,-	22,-	190,-
Castor Set, polyamide, Load capacity 1350 kg / castor set	A	185,-	15,-	200,-
Skip Body Welded Oil and Watertight	A	75,-	0,-	75,-
VD 800, hot-dip galvanized	A	1300,-	122,-	1422,-
Lid, galvanized	A	168,-	22,-	190,-
Castor Set, polyamide, Load capacity 1350 kg / castor set	A	185,-	15,-	200,-
Skip Body Welded Oil and Watertight	A	75,-	0,-	75,-
VD 1000, painted	A	1005,-	122,-	1127,-
Lid, galvanized	A	168,-	22,-	190,-
Castor Set, polyamide, Load capacity 1350 kg / castor set	A	185,-	15,-	200,-
Skip Body Welded Oil and Watertight	A	116,-	0,-	116,-
VD 1000, hot-dip galvanized	A	1419,-	122,-	1541,-
Lid, galvanized	A	168,-	22,-	190,-
Castor Set, polyamide, Load capacity 1350 kg / castor set	A	185,-	15,-	200,-
Skip Body Welded Oil and Watertight	A	116,-	0,-	116,-
Tilting Container Type VG	Category	Price	Freight charges	Price including freight charges
VG 550, painted	A	784,-	122,-	906,-
Lid, galvanized	A	139,-	18,-	157,-
Castor Set, polyamide, Load capacity 1350 kg / castor set	A	185,-	15,-	200,-
Skip Body Welded Oil and Watertight	A	75,-	0,-	75,-
VG 550, hot-dip galvanized	A	1022,-	122,-	1144,-
Lid, galvanized	A	139,-	18,-	157,-
Castor Set, polyamide, Load capacity 1350 kg / castor set	A	185,-	15,-	200,-
Skip Body Welded Oil and Watertight	A	75,-	0,-	75,-
VG 700, painted	A	929,-	122,-	1051,-
Lid, galvanized	A	139,-	18,-	157,-
Castor Set, polyamide, Load capacity 1350 kg / castor set	A	185,-	15,-	200,-
Skip Body Welded Oil and Watertight	A	75,-	0,-	75,-
VG 700, hot-dip galvanized	A	1209,-	122,-	1331,-
Lid, galvanized	A	139,-	18,-	157,-
Castor Set, polyamide, Load capacity 1350 kg / castor set	A	185,-	15,-	200,-
Skip Body Welded Oil and Watertight	A	75,-	0,-	75,-
VG 900, painted	A	1024,-	122,-	1146,-
Lid, galvanized	A	168,-	22,-	190,-
Castor Set, polyamide, Load capacity 1350 kg / castor set	A	185,-	15,-	200,-
Skip Body Welded Oil and Watertight	A	75,-	0,-	75,-
VG 900, hot-dip galvanized	A	1451,-	122,-	1573,-
Lid, galvanized	A	168,-	22,-	190,-
Castor Set, polyamide, Load capacity 1350 kg / castor set	A	185,-	15,-	200,-
Skip Body Welded Oil and Watertight	A	75,-	0,-	75,-
VG 1100, painted	A	1111,-	122,-	1233,-
Lid, galvanized	A	168,-	22,-	190,-
Castor Set, polyamide, Load capacity 1350 kg / castor set	A	185,-	15,-	200,-
Skip Body Welded Oil and Watertight	A	116,-	0,-	116,-

Prices in EUR, valid EXW DE-46354 Südlohn, DE-38820 Halberstadt, unpacked
Freight charges valid CPT Czech Republic, islands and oversea territories excluded

Price List 0424 en-CZ

Forklift Truck Attachments



Tilting Container Type VG	Category	Price	Freight charges	Price including freight charges
VG 1100, hot-dip galvanized	A	1508,-	122,-	1630,-
Lid, galvanized	A	168,-	22,-	190,-
Castor Set, polyamide, Load capacity 1350 kg / castor set	A	185,-	15,-	200,-
Skip Body Welded Oil and Watertight	A	116,-	0,-	116,-

Prices in EUR, valid EXW DE-46354 Südlohn, DE-38820 Halberstadt, unpacked
 Freight charges valid CPT Czech Republic, islands and oversea territories excluded

Price List 0424 en-CZ

Workspace Material Handling

Battery Charging Station Type BL	Category	Price	Freight charges	Price including freight charges
BL 1, painted	A	1373,-	88,-	1461,-
Fire Extinguisher	A	197,-	14,-	211,-
Fixture for water receptacle	A	61,-	13,-	74,-
BL 2, painted	A	1737,-	88,-	1825,-
Fire Extinguisher	A	197,-	14,-	211,-
Fixture for water receptacle	A	61,-	13,-	74,-
BL 3, painted	A	1737,-	88,-	1825,-
Fire Extinguisher	A	197,-	14,-	211,-
Fixture for water receptacle	A	61,-	13,-	74,-
Drum Jack Roller Type FHR	Category	Price	Freight charges	Price including freight charges
FHR 600 F, painted	B	3174,-	172,-	3346,-
FHR 600 F, hot-dip galvanized	B	3517,-	172,-	3689,-
FHR 600 G, painted	B	2528,-	122,-	2650,-
FHR 600 G, hot-dip galvanized	B	2790,-	122,-	2912,-
FHR 600 K, painted	B	2528,-	122,-	2650,-
FHR 600 K, hot-dip galvanized	B	2790,-	122,-	2912,-
Drum Trolley Type FP-L	Category	Price	Freight charges	Price including freight charges
FP-L, galvanized	C	602,-	88,-	690,-
Drum Trolley Type FP-V	Category	Price	Freight charges	Price including freight charges
FP-V, galvanized	C	584,-	88,-	672,-
Drum Dolly Type FRW	Category	Price	Freight charges	Price including freight charges
FRW-I, hot-dip galvanized	A	112,-	32,-	144,-
FRW-II, hot-dip galvanized	A	148,-	32,-	180,-
FRW-III, hot-dip galvanized	A	200,-	88,-	288,-
Dolly Type GRW	Category	Price	Freight charges	Price including freight charges
GRW-I, hot-dip galvanized	F	121,-	32,-	153,-
Handle, galvanized	F	53,-	10,-	63,-
GRW-II, hot-dip galvanized	F	138,-	32,-	170,-
Handle, galvanized	F	53,-	10,-	63,-
GRW-III, hot-dip galvanized	F	172,-	88,-	260,-
Handle, galvanized	F	53,-	10,-	63,-
Gas Cylinder Wall Bracket Type GWH	Category	Price	Freight charges	Price including freight charges
GWH 140-I, hot-dip galvanized	F	25,-	32,-	57,-
GWH 140-II, hot-dip galvanized	F	38,-	32,-	70,-

Prices in EUR, valid EXW DE-46354 Südlohn, DE-38820 Halberstadt, unpacked
Freight charges valid CPT Czech Republic, islands and oversea territories excluded

Price List 0424 en-CZ

Workspace Material Handling



Gas Cylinder Wall Bracket Type GWH	Category	Price	Freight charges	Price including freight charges
GWH 140-III, hot-dip galvanized	F	57,-	32,-	89,-
GWH 230-I, hot-dip galvanized	F	27,-	32,-	59,-
GWH 230-II, hot-dip galvanized	F	41,-	32,-	73,-
GWH 230-III, hot-dip galvanized	F	62,-	32,-	94,-
GWH 320-I, hot-dip galvanized	F	28,-	32,-	60,-
GWH 320-II, hot-dip galvanized	F	46,-	32,-	78,-
GWH 320-III, hot-dip galvanized	F	69,-	32,-	101,-
Fork Lifter Type GZH-A	Category	Price	Freight charges	Price including freight charges
GZH-A, painted	F	110,-	32,-	142,-
Fork Lifter Type GZH-B	Category	Price	Freight charges	Price including freight charges
GZH-B, painted	F	110,-	32,-	142,-
Fork Pallet Type GZP	Category	Price	Freight charges	Price including freight charges
GZP 4, hot-dip galvanized	A	155,-	88,-	243,-
GZP 8, hot-dip galvanized	A	194,-	88,-	282,-
IBC Residue Drainer Type IR	Category	Price	Freight charges	Price including freight charges
IR-1, hot-dip galvanized	A	575,-	88,-	663,-
IR-2, hot-dip galvanized	A	686,-	88,-	774,-
Tilting Canister Stand Type KAH	Category	Price	Freight charges	Price including freight charges
KAH-5, galvanized	A	92,-	32,-	124,-
KAH-25, galvanized	A	105,-	32,-	137,-
KAH-60, galvanized	A	135,-	32,-	167,-
Sheet Metal Storage Units With Trays Type KBR	Category	Price	Freight charges	Price including freight charges
KBR 1, painted	A	5782,-	488,-	6270,-
KBR 2, painted	A	5997,-	on request	on request
KBR 3, painted	A	6441,-	on request	on request
Liftomat Type L/E	Category	Price	Freight charges	Price including freight charges
L/E 1300, painted	B	4742,-	172,-	4914,-
L/E 1300, hot-dip galvanized	B	5389,-	172,-	5561,-
Liftomat Type L/M	Category	Price	Freight charges	Price including freight charges
L/M 600, painted	B	3432,-	122,-	3554,-
L/M 600, hot-dip galvanized	B	3888,-	122,-	4010,-
L/M 1300, painted	B	3851,-	172,-	4023,-
L/M 1300, hot-dip galvanized	B	4414,-	172,-	4586,-
Security Cage for Storage Type LBM	Category	Price	Freight charges	Price including freight charges
LBM 1500, hot-dip galvanized	A	1934,-	172,-	2106,-

Prices in EUR, valid EXW DE-46354 Südlohn, DE-38820 Halberstadt, unpacked
Freight charges valid CPT Czech Republic, islands and oversea territories excluded

Price List 0424 en-CZ

Workspace Material Handling



Security Cage for Storage Type LBM	Category	Price	Freight charges	Price including freight charges
LBM 3000, hot-dip galvanized	A	2654,-	287,-	2941,-
LBM 4500, hot-dip galvanized	A	3373,-	287,-	3660,-
LBM 6000, hot-dip galvanized	A	4088,-	374,-	4462,-
Wheelie Bin Tipping Station Type MKS	Category	Price	Freight charges	Price including freight charges
MKS-12V, painted	A	3618,-	122,-	3740,-
External Charger for 12 V electro-hydraulic constructions	A	194,-	15,-	209,-
MKS-230V, painted	A	3618,-	122,-	3740,-
Wheelie Bin Tipping Station Type MKS-F	Category	Price	Freight charges	Price including freight charges
MKS-F, painted	A	2375,-	122,-	2497,-
Wheelie Bin Tipping Station Type MKS-H	Category	Price	Freight charges	Price including freight charges
MKS-H, painted	A	2375,-	122,-	2497,-
Stillage Transport Cage Type MTP	Category	Price	Freight charges	Price including freight charges
MTP 2000, hot-dip galvanized	A	2121,-	172,-	2293,-
Tension belt	A	46,-	8,-	54,-
MTP 3000, hot-dip galvanized	A	2680,-	217,-	2897,-
Tension belt	A	46,-	8,-	54,-
Two-Wheeled Pallet Picker Type PZ	Category	Price	Freight charges	Price including freight charges
PZ, hot-dip galvanized	F	440,-	32,-	472,-
Tyre Fitting Equipment Type RM	Category	Price	Freight charges	Price including freight charges
RM, painted	F	442,-	32,-	474,-
Surround for Waste Bins Type SECOMAT	Category	Price	Freight charges	Price including freight charges
S 120-D, powder coated	B	626,-	88,-	714,-
S 120-K, powder coated	B	702,-	88,-	790,-
S 240-D, powder coated	B	719,-	88,-	807,-
S 240-K, powder coated	B	787,-	88,-	875,-
S1100, powder-coated	B	727,-	88,-	815,-
S1100-W, powder-coated	B	956,-	122,-	1078,-
S1100-WT, powder-coated	B	1200,-	159,-	1359,-
S1100-WTB, powder-coated	B	1295,-	188,-	1483,-
S4USE, powder coated	C	2138,-	172,-	2310,-
Gas Cylinder Pallet Type SFP	Category	Price	Freight charges	Price including freight charges
SFP 4, hot-dip galvanized	C	334,-	88,-	422,-
SFP 8, hot-dip galvanized	C	444,-	88,-	532,-
Loading Support Type VS	Category	Price	Freight charges	Price including freight charges
VS, painted	C	739,-	122,-	861,-

Prices in EUR, valid EXW DE-46354 Südlohn, DE-38820 Halberstadt, unpacked
Freight charges valid CPT Czech Republic, islands and oversea territories excluded

Price List 0424 en-CZ Environment / Storage

Sump Trays Type SERIES 2000	Category	Price	Freight charges	Price including freight charges
2000, painted	B	241,-	88,-	329,-
2001, hot-dip galvanized	B	278,-	88,-	366,-
2002, painted	B	275,-	88,-	363,-
2003, hot-dip galvanized	B	311,-	88,-	399,-
2008, painted	B	241,-	88,-	329,-
2009, hot-dip galvanized	B	289,-	88,-	377,-
2010, painted	B	290,-	88,-	378,-
Drum Support FA 60-1, hot-dip galvanized	B	105,-	15,-	120,-
Drum Support FA 60-2, hot-dip galvanized	B	114,-	18,-	132,-
Drum Support FA 60-3, hot-dip galvanized	B	133,-	21,-	154,-
Drum Support FA 200-1, hot-dip galvanized	B	114,-	15,-	129,-
Can Shelf Type GR-A, galvanized	B	133,-	32,-	165,-
Can Shelf Type GR-B, galvanized	B	133,-	32,-	165,-
Can Shelf Type GR-C, galvanized	B	133,-	32,-	165,-
2011, hot-dip galvanized	B	339,-	88,-	427,-
Drum Support FA 60-1, hot-dip galvanized	B	105,-	15,-	120,-
Drum Support FA 60-2, hot-dip galvanized	B	114,-	18,-	132,-
Drum Support FA 60-3, hot-dip galvanized	B	133,-	21,-	154,-
Drum Support FA 200-1, hot-dip galvanized	B	114,-	15,-	129,-
Can Shelf Type GR-A, galvanized	B	133,-	32,-	165,-
Can Shelf Type GR-B, galvanized	B	133,-	32,-	165,-
Can Shelf Type GR-C, galvanized	B	133,-	32,-	165,-
2016, painted	B	253,-	88,-	341,-
2017, hot-dip galvanized	B	303,-	88,-	391,-
2018, painted	B	304,-	88,-	392,-
Drum Support FA 60-1, hot-dip galvanized	B	105,-	15,-	120,-
Drum Support FA 60-2, hot-dip galvanized	B	114,-	18,-	132,-
Drum Support FA 60-3, hot-dip galvanized	B	133,-	21,-	154,-
Drum Support FA 200-1, hot-dip galvanized	B	114,-	15,-	129,-
Can Shelf Type GR-A, galvanized	B	133,-	32,-	165,-
Can Shelf Type GR-B, galvanized	B	133,-	32,-	165,-
Can Shelf Type GR-C, galvanized	B	133,-	32,-	165,-
2019, hot-dip galvanized	B	352,-	88,-	440,-
Drum Support FA 60-1, hot-dip galvanized	B	105,-	15,-	120,-
Drum Support FA 60-2, hot-dip galvanized	B	114,-	18,-	132,-
Drum Support FA 60-3, hot-dip galvanized	B	133,-	21,-	154,-
Drum Support FA 200-1, hot-dip galvanized	B	114,-	15,-	129,-
Can Shelf Type GR-A, galvanized	B	133,-	32,-	165,-
Can Shelf Type GR-B, galvanized	B	133,-	32,-	165,-
Can Shelf Type GR-C, galvanized	B	133,-	32,-	165,-
2026, painted	B	253,-	88,-	341,-
2027, hot-dip galvanized	B	299,-	88,-	387,-

Prices in EUR, valid EXW DE-46354 Südlohn, DE-38820 Halberstadt, unpacked
Freight charges valid CPT Czech Republic, islands and oversea territories excluded

Price List 0424 en-CZ

Environment / Storage



Sump Trays Type SERIES 2000	Category	Price	Freight charges	Price including freight charges
2028, painted	B	353,-	88,-	441,-
Drum Support FA 60-1, hot-dip galvanized	B	105,-	15,-	120,-
Drum Support FA 60-2, hot-dip galvanized	B	114,-	18,-	132,-
Drum Support FA 60-3, hot-dip galvanized	B	133,-	21,-	154,-
Drum Support FA 200-1, hot-dip galvanized	B	114,-	15,-	129,-
Drum Support FA 200-2, hot-dip galvanized	B	133,-	22,-	155,-
Can Shelf Type GR-A, galvanized	B	133,-	32,-	165,-
Can Shelf Type GR-B, galvanized	B	133,-	32,-	165,-
Can Shelf Type GR-C, galvanized	B	133,-	32,-	165,-
2029, hot-dip galvanized	B	398,-	88,-	486,-
Drum Support FA 60-1, hot-dip galvanized	B	105,-	15,-	120,-
Drum Support FA 60-2, hot-dip galvanized	B	114,-	18,-	132,-
Drum Support FA 60-3, hot-dip galvanized	B	133,-	21,-	154,-
Drum Support FA 200-1, hot-dip galvanized	B	114,-	15,-	129,-
Drum Support FA 200-2, hot-dip galvanized	B	133,-	22,-	155,-
Can Shelf Type GR-A, galvanized	B	133,-	32,-	165,-
Can Shelf Type GR-B, galvanized	B	133,-	32,-	165,-
Can Shelf Type GR-C, galvanized	B	133,-	32,-	165,-
2030, painted	B	265,-	88,-	353,-
2031, hot-dip galvanized	B	310,-	88,-	398,-
2032, painted	B	365,-	88,-	453,-
Drum Support FA 60-1, hot-dip galvanized	B	105,-	15,-	120,-
Drum Support FA 60-2, hot-dip galvanized	B	114,-	18,-	132,-
Drum Support FA 60-3, hot-dip galvanized	B	133,-	21,-	154,-
Drum Support FA 200-1, hot-dip galvanized	B	114,-	15,-	129,-
Drum Support FA 200-2, hot-dip galvanized	B	133,-	22,-	155,-
Can Shelf Type GR-A, galvanized	B	133,-	32,-	165,-
Can Shelf Type GR-B, galvanized	B	133,-	32,-	165,-
Can Shelf Type GR-C, galvanized	B	133,-	32,-	165,-
2033, hot-dip galvanized	B	411,-	88,-	499,-
Drum Support FA 60-1, hot-dip galvanized	B	105,-	15,-	120,-
Drum Support FA 60-2, hot-dip galvanized	B	114,-	18,-	132,-
Drum Support FA 60-3, hot-dip galvanized	B	133,-	21,-	154,-
Drum Support FA 200-1, hot-dip galvanized	B	114,-	15,-	129,-
Drum Support FA 200-2, hot-dip galvanized	B	133,-	22,-	155,-
Can Shelf Type GR-A, galvanized	B	133,-	32,-	165,-
Can Shelf Type GR-B, galvanized	B	133,-	32,-	165,-
Can Shelf Type GR-C, galvanized	B	133,-	32,-	165,-
2040, painted	B	339,-	88,-	427,-
2041, hot-dip galvanized	B	411,-	88,-	499,-
2042, painted	B	439,-	122,-	561,-
Drum Support FA 60-1, hot-dip galvanized	B	105,-	15,-	120,-
Drum Support FA 60-2, hot-dip galvanized	B	114,-	18,-	132,-
Drum Support FA 60-3, hot-dip galvanized	B	133,-	21,-	154,-
Can Shelf Type GR-A, galvanized	B	133,-	32,-	165,-
Can Shelf Type GR-B, galvanized	B	133,-	32,-	165,-

Prices in EUR, valid EXW DE-46354 Südlohn, DE-38820 Halberstadt, unpacked
Freight charges valid CPT Czech Republic, islands and oversea territories excluded

Price List 0424 en-CZ

Environment / Storage



Sump Trays Type SERIES 2000	Category	Price	Freight charges	Price including freight charges
Can Shelf Type GR-C, galvanized	B	133,-	32,-	165,-
2043, hot-dip galvanized	B	511,-	122,-	633,-
Drum Support FA 60-1, hot-dip galvanized	B	105,-	15,-	120,-
Drum Support FA 60-2, hot-dip galvanized	B	114,-	18,-	132,-
Drum Support FA 60-3, hot-dip galvanized	B	133,-	21,-	154,-
Can Shelf Type GR-A, galvanized	B	133,-	32,-	165,-
Can Shelf Type GR-B, galvanized	B	133,-	32,-	165,-
Can Shelf Type GR-C, galvanized	B	133,-	32,-	165,-
2048, painted	B	261,-	88,-	349,-
2049, hot-dip galvanized	B	305,-	88,-	393,-
2050, painted	B	356,-	88,-	444,-
Drum Support FA 60-1, hot-dip galvanized	B	105,-	15,-	120,-
Drum Support FA 60-2, hot-dip galvanized	B	114,-	18,-	132,-
Drum Support FA 60-3, hot-dip galvanized	B	133,-	21,-	154,-
Can Shelf Type GR-A, galvanized	B	133,-	32,-	165,-
Can Shelf Type GR-B, galvanized	B	133,-	32,-	165,-
Can Shelf Type GR-C, galvanized	B	133,-	32,-	165,-
2051, hot-dip galvanized	B	400,-	88,-	488,-
Drum Support FA 60-1, hot-dip galvanized	B	105,-	15,-	120,-
Drum Support FA 60-2, hot-dip galvanized	B	114,-	18,-	132,-
Drum Support FA 60-3, hot-dip galvanized	B	133,-	21,-	154,-
Can Shelf Type GR-A, galvanized	B	133,-	32,-	165,-
Can Shelf Type GR-B, galvanized	B	133,-	32,-	165,-
Can Shelf Type GR-C, galvanized	B	133,-	32,-	165,-
Sump Trays Type SERIES 2000/SW	Category	Price	Freight charges	Price including freight charges
2002/SW, painted	B	412,-	88,-	500,-
2003/SW, hot-dip galvanized	B	448,-	88,-	536,-
2018/SW, painted	B	452,-	122,-	574,-
Drum Support FA 60-1, hot-dip galvanized	B	105,-	15,-	120,-
Drum Support FA 60-2, hot-dip galvanized	B	114,-	18,-	132,-
Drum Support FA 60-3, hot-dip galvanized	B	133,-	21,-	154,-
Drum Support FA 200-1, hot-dip galvanized	B	114,-	15,-	129,-
Can Shelf Type GR-A, galvanized	B	133,-	32,-	165,-
Can Shelf Type GR-B, galvanized	B	133,-	32,-	165,-
Can Shelf Type GR-C, galvanized	B	133,-	32,-	165,-
2019/SW, hot-dip galvanized	B	499,-	122,-	621,-
Drum Support FA 60-1, hot-dip galvanized	B	105,-	15,-	120,-
Drum Support FA 60-2, hot-dip galvanized	B	114,-	18,-	132,-
Drum Support FA 60-3, hot-dip galvanized	B	133,-	21,-	154,-
Drum Support FA 200-1, hot-dip galvanized	B	114,-	15,-	129,-
Can Shelf Type GR-A, galvanized	B	133,-	32,-	165,-
Can Shelf Type GR-B, galvanized	B	133,-	32,-	165,-
Can Shelf Type GR-C, galvanized	B	133,-	32,-	165,-
2032/SW, painted	B	533,-	122,-	655,-
Drum Support FA 60-1, hot-dip galvanized	B	105,-	15,-	120,-

Prices in EUR, valid EXW DE-46354 Südlohn, DE-38820 Halberstadt, unpacked
Freight charges valid CPT Czech Republic, islands and oversea territories excluded

Price List 0424 en-CZ

Environment / Storage



Sump Trays Type SERIES 2000/SW	Category	Price	Freight charges	Price including freight charges
Drum Support FA 60-2, hot-dip galvanized	B	114,-	18,-	132,-
Drum Support FA 60-3, hot-dip galvanized	B	133,-	21,-	154,-
Drum Support FA 200-1, hot-dip galvanized	B	114,-	15,-	129,-
Drum Support FA 200-2, hot-dip galvanized	B	133,-	22,-	155,-
Can Shelf Type GR-A, galvanized	B	133,-	32,-	165,-
Can Shelf Type GR-B, galvanized	B	133,-	32,-	165,-
Can Shelf Type GR-C, galvanized	B	133,-	32,-	165,-
2033/SW, hot-dip galvanized	B	579,-	122,-	701,-
Drum Support FA 60-1, hot-dip galvanized	B	105,-	15,-	120,-
Drum Support FA 60-2, hot-dip galvanized	B	114,-	18,-	132,-
Drum Support FA 60-3, hot-dip galvanized	B	133,-	21,-	154,-
Drum Support FA 200-1, hot-dip galvanized	B	114,-	15,-	129,-
Drum Support FA 200-2, hot-dip galvanized	B	133,-	22,-	155,-
Can Shelf Type GR-A, galvanized	B	133,-	32,-	165,-
Can Shelf Type GR-B, galvanized	B	133,-	32,-	165,-
Can Shelf Type GR-C, galvanized	B	133,-	32,-	165,-
2042/SW, painted	B	661,-	172,-	833,-
Drum Support FA 60-1, hot-dip galvanized	B	105,-	15,-	120,-
Drum Support FA 60-2, hot-dip galvanized	B	114,-	18,-	132,-
Drum Support FA 60-3, hot-dip galvanized	B	133,-	21,-	154,-
Can Shelf Type GR-A, galvanized	B	133,-	32,-	165,-
Can Shelf Type GR-B, galvanized	B	133,-	32,-	165,-
Can Shelf Type GR-C, galvanized	B	133,-	32,-	165,-
2043/SW, hot-dip galvanized	B	734,-	172,-	906,-
Drum Support FA 60-1, hot-dip galvanized	B	105,-	15,-	120,-
Drum Support FA 60-2, hot-dip galvanized	B	114,-	18,-	132,-
Drum Support FA 60-3, hot-dip galvanized	B	133,-	21,-	154,-
Can Shelf Type GR-A, galvanized	B	133,-	32,-	165,-
Can Shelf Type GR-B, galvanized	B	133,-	32,-	165,-
Can Shelf Type GR-C, galvanized	B	133,-	32,-	165,-
Mobile Sump Trays Type SERIES 2000	Category	Price	Freight charges	Price including freight charges
2004, painted	B	570,-	88,-	658,-
Fixture and Tension Belt for 1 x 200 Litre Drum	B	46,-	9,-	55,-
2005, hot-dip galvanized	B	634,-	88,-	722,-
Fixture and Tension Belt for 1 x 200 Litre Drum	B	46,-	9,-	55,-
2020, painted	B	633,-	88,-	721,-
Fixture and Tension Belt for 2 x 200 Litre Drums	B	46,-	9,-	55,-
2021, hot-dip galvanized	B	692,-	88,-	780,-
Fixture and Tension Belt for 2 x 200 Litre Drums	B	46,-	9,-	55,-
2050 SR, painted	B	685,-	88,-	773,-
Fixture and Tension Belt for 3 x 200 Litre Drums	B	46,-	9,-	55,-
2051 SR, hot-dip galvanized	B	740,-	122,-	862,-
Fixture and Tension Belt for 3 x 200 Litre Drums	B	46,-	9,-	55,-

Prices in EUR, valid EXW DE-46354 Südlohn, DE-38820 Halberstadt, unpacked
Freight charges valid CPT Czech Republic, islands and oversea territories excluded

Price List 0424 en-CZ

Environment / Storage



Drum Shelves with Sump Trays Type SERIES 3000	Category	Price	Freight charges	Price including freight charges
3000, hot-dip galvanized	B	1054,-	122,-	1176,-
Retainer Bar	B	46,-	12,-	58,-
Rotating Support RA 200, hot-dip galvanized	B	93,-	10,-	103,-
Can Stand Type GS, hot-dip galvanized	B	62,-	18,-	80,-
Crash Guard	B	54,-	9,-	63,-
3001, hot-dip galvanized	B	887,-	122,-	1009,-
Retainer Bar	B	46,-	12,-	58,-
Rotating Support RA 200, hot-dip galvanized	B	93,-	10,-	103,-
Can Stand Type GS, hot-dip galvanized	B	62,-	18,-	80,-
Crash Guard	B	54,-	9,-	63,-
3002, hot-dip galvanized	B	1255,-	172,-	1427,-
Retainer Bar	B	46,-	12,-	58,-
Rotating Support RA 200, hot-dip galvanized	B	93,-	10,-	103,-
Can Stand Type GS, hot-dip galvanized	B	62,-	18,-	80,-
Crash Guard	B	54,-	9,-	63,-
3003, hot-dip galvanized	B	1063,-	172,-	1235,-
Retainer Bar	B	46,-	12,-	58,-
Rotating Support RA 200, hot-dip galvanized	B	93,-	10,-	103,-
Can Stand Type GS, hot-dip galvanized	B	62,-	18,-	80,-
Crash Guard	B	54,-	9,-	63,-
3004, hot-dip galvanized	B	1298,-	122,-	1420,-
Retainer Bar	B	46,-	12,-	58,-
Rotating Support RA 60, hot-dip galvanized	B	93,-	9,-	102,-
Can Stand Type GS, hot-dip galvanized	B	62,-	18,-	80,-
Crash Guard	B	54,-	9,-	63,-
3005, hot-dip galvanized	B	1174,-	122,-	1296,-
Retainer Bar	B	46,-	12,-	58,-
Rotating Support RA 60, hot-dip galvanized	B	93,-	9,-	102,-
Can Stand Type GS, hot-dip galvanized	B	62,-	18,-	80,-
Crash Guard	B	54,-	9,-	63,-
3006, hot-dip galvanized	B	1639,-	222,-	1861,-
Retainer Bar	B	46,-	12,-	58,-
Rotating Support RA 60, hot-dip galvanized	B	93,-	9,-	102,-
Can Stand Type GS, hot-dip galvanized	B	62,-	18,-	80,-
Crash Guard	B	54,-	9,-	63,-
3007, hot-dip galvanized	B	1400,-	172,-	1572,-
Retainer Bar	B	46,-	12,-	58,-
Rotating Support RA 60, hot-dip galvanized	B	93,-	9,-	102,-
Can Stand Type GS, hot-dip galvanized	B	62,-	18,-	80,-
Crash Guard	B	54,-	9,-	63,-
3010, hot-dip galvanized	B	1244,-	172,-	1416,-
Retainer Bar	B	46,-	12,-	58,-
Rotating Support RA 200, hot-dip galvanized	B	93,-	10,-	103,-
Can Stand Type GS, hot-dip galvanized	B	62,-	18,-	80,-
Crash Guard	B	54,-	9,-	63,-
3011, hot-dip galvanized	B	1034,-	172,-	1206,-

Prices in EUR, valid EXW DE-46354 Südlohn, DE-38820 Halberstadt, unpacked
Freight charges valid CPT Czech Republic, islands and oversea territories excluded

Price List 0424 en-CZ

Environment / Storage



Drum Shelves with Sump Trays Type SERIES 3000	Category	Price	Freight charges	Price including freight charges
Retainer Bar	B	46,-	12,-	58,-
Rotating Support RA 200, hot-dip galvanized	B	93,-	10,-	103,-
Can Stand Type GS, hot-dip galvanized	B	62,-	18,-	80,-
Crash Guard	B	54,-	9,-	63,-

Small Can Shelves with Sumps Type SERIES 3000	Category	Price	Freight charges	Price including freight charges
3017-4E, galvanized	B	461,-	88,-	549,-
Grid Storage Level, hot dip-galvanized	B	59,-	10,-	69,-
Spill Tray, galvanized	B	96,-	10,-	106,-
Storage level for Drum Shelves	B	33,-	9,-	42,-
3018-4E, galvanized	B	383,-	88,-	471,-
Grid Storage Level, hot dip-galvanized	B	59,-	10,-	69,-
Spill Tray, galvanized	B	96,-	10,-	106,-
Storage level for Drum Shelves	B	33,-	9,-	42,-
3019-4E, galvanized	B	556,-	122,-	678,-
Grid Storage Level, hot dip-galvanized	B	59,-	10,-	69,-
Spill Tray, galvanized	B	96,-	10,-	106,-
Storage level for Drum Shelves	B	33,-	9,-	42,-
3020-4E, galvanized	B	476,-	122,-	598,-
Grid Storage Level, hot dip-galvanized	B	59,-	10,-	69,-
Spill Tray, galvanized	B	96,-	10,-	106,-
Storage level for Drum Shelves	B	33,-	9,-	42,-
3021-4E, galvanized	B	694,-	122,-	816,-
Grid Storage Level, hot dip-galvanized	B	59,-	10,-	69,-
Spill Tray, galvanized	B	96,-	10,-	106,-
Storage level for Drum Shelves	B	33,-	9,-	42,-
3022-4E, galvanized	B	604,-	88,-	692,-
Grid Storage Level, hot dip-galvanized	B	59,-	10,-	69,-
Spill Tray, galvanized	B	96,-	10,-	106,-
Storage level for Drum Shelves	B	33,-	9,-	42,-
3023-4E, galvanized	B	1122,-	172,-	1294,-
Grid Storage Level, hot dip-galvanized	B	59,-	10,-	69,-
Spill Tray, galvanized	B	96,-	10,-	106,-
Storage level for Drum Shelves	B	33,-	9,-	42,-
3024-4E, galvanized	B	935,-	172,-	1107,-
Grid Storage Level, hot dip-galvanized	B	59,-	10,-	69,-
Spill Tray, galvanized	B	96,-	10,-	106,-
Storage level for Drum Shelves	B	33,-	9,-	42,-

Shelves Type AG	Category	Price	Freight charges	Price including freight charges
AG 60-1, hot-dip galvanized	B	108,-	12,-	120,-
AG 60-2, hot-dip galvanized	B	113,-	14,-	127,-
AG 60-3, hot-dip galvanized	B	121,-	15,-	136,-

Prices in EUR, valid EXW DE-46354 Südlohn, DE-38820 Halberstadt, unpacked
 Freight charges valid CPT Czech Republic, islands and oversea territories excluded

Price List 0424 en-CZ

Environment / Storage



Sump Tray Type AM	Category	Price	Freight charges	Price including freight charges
AM-1, painted	B	323,-	88,-	411,-
AM-1, hot-dip galvanized	B	366,-	88,-	454,-
AM-2, painted	B	357,-	88,-	445,-
Drum Support FA 60-1, hot-dip galvanized	B	105,-	15,-	120,-
Drum Support FA 60-2, hot-dip galvanized	B	114,-	18,-	132,-
Drum Support FA 60-3, hot-dip galvanized	B	133,-	21,-	154,-
Drum Support FA 200-1, hot-dip galvanized	B	114,-	15,-	129,-
Can Shelf Type GR-A, galvanized	B	133,-	32,-	165,-
Can Shelf Type GR-B, galvanized	B	133,-	32,-	165,-
Can Shelf Type GR-C, galvanized	B	133,-	32,-	165,-
AM-2, hot-dip galvanized	B	412,-	88,-	500,-
Drum Support FA 60-1, hot-dip galvanized	B	105,-	15,-	120,-
Drum Support FA 60-2, hot-dip galvanized	B	114,-	18,-	132,-
Drum Support FA 60-3, hot-dip galvanized	B	133,-	21,-	154,-
Drum Support FA 200-1, hot-dip galvanized	B	114,-	15,-	129,-
Can Shelf Type GR-A, galvanized	B	133,-	32,-	165,-
Can Shelf Type GR-B, galvanized	B	133,-	32,-	165,-
Can Shelf Type GR-C, galvanized	B	133,-	32,-	165,-
AM-4/A, painted	B	428,-	88,-	516,-
Drum Support FA 60-1, hot-dip galvanized	B	105,-	15,-	120,-
Drum Support FA 60-2, hot-dip galvanized	B	114,-	18,-	132,-
Drum Support FA 60-3, hot-dip galvanized	B	133,-	21,-	154,-
Drum Support FA 200-1, hot-dip galvanized	B	114,-	15,-	129,-
Drum Support FA 200-2, hot-dip galvanized	B	133,-	22,-	155,-
Can Shelf Type GR-A, galvanized	B	133,-	32,-	165,-
Can Shelf Type GR-B, galvanized	B	133,-	32,-	165,-
Can Shelf Type GR-C, galvanized	B	133,-	32,-	165,-
AM-4/A, hot-dip galvanized	B	482,-	122,-	604,-
Drum Support FA 60-1, hot-dip galvanized	B	105,-	15,-	120,-
Drum Support FA 60-2, hot-dip galvanized	B	114,-	18,-	132,-
Drum Support FA 60-3, hot-dip galvanized	B	133,-	21,-	154,-
Drum Support FA 200-1, hot-dip galvanized	B	114,-	15,-	129,-
Drum Support FA 200-2, hot-dip galvanized	B	133,-	22,-	155,-
Can Shelf Type GR-A, galvanized	B	133,-	32,-	165,-
Can Shelf Type GR-B, galvanized	B	133,-	32,-	165,-
Can Shelf Type GR-C, galvanized	B	133,-	32,-	165,-
AM-4/B, painted	B	514,-	122,-	636,-
Drum Support FA 60-1, hot-dip galvanized	B	105,-	15,-	120,-
Drum Support FA 60-2, hot-dip galvanized	B	114,-	18,-	132,-
Drum Support FA 60-3, hot-dip galvanized	B	133,-	21,-	154,-
Can Shelf Type GR-A, galvanized	B	133,-	32,-	165,-
Can Shelf Type GR-B, galvanized	B	133,-	32,-	165,-
Can Shelf Type GR-C, galvanized	B	133,-	32,-	165,-
AM-4/B, hot-dip galvanized	B	602,-	122,-	724,-
Drum Support FA 60-1, hot-dip galvanized	B	105,-	15,-	120,-
Drum Support FA 60-2, hot-dip galvanized	B	114,-	18,-	132,-

Prices in EUR, valid EXW DE-46354 Südlohn, DE-38820 Halberstadt, unpacked
Freight charges valid CPT Czech Republic, islands and oversea territories excluded

Price List 0424 en-CZ

Environment / Storage



Sump Tray Type AM	Category	Price	Freight charges	Price including freight charges
Drum Support FA 60-3, hot-dip galvanized	B	133,-	21,-	154,-
Can Shelf Type GR-A, galvanized	B	133,-	32,-	165,-
Can Shelf Type GR-B, galvanized	B	133,-	32,-	165,-
Can Shelf Type GR-C, galvanized	B	133,-	32,-	165,-

Sump Tray Type AO	Category	Price	Freight charges	Price including freight charges
AO-1, painted	B	282,-	88,-	370,-
AO-1, hot-dip galvanized	B	325,-	88,-	413,-
AO-2, painted	B	299,-	88,-	387,-
AO-2, hot-dip galvanized	B	354,-	88,-	442,-
AO-4/A, painted	B	311,-	88,-	399,-
AO-4/A, hot-dip galvanized	B	365,-	88,-	453,-
AO-4/B, painted	B	398,-	88,-	486,-
AO-4/B, hot-dip galvanized	B	483,-	88,-	571,-

Sump Tray Type AW	Category	Price	Freight charges	Price including freight charges
AW 450, painted	B	619,-	122,-	741,-
AW 450, hot-dip galvanized	B	768,-	122,-	890,-
AW 800, painted	B	644,-	122,-	766,-
AW 800, hot-dip galvanized	B	802,-	122,-	924,-
AW 1000, painted	B	649,-	122,-	771,-
AW 1000, hot-dip galvanized	B	809,-	122,-	931,-
AW 1000-2, painted	B	831,-	222,-	1053,-
AW 1000-2, hot-dip galvanized	B	933,-	222,-	1155,-
AW 1000-3, hot-dip galvanized	B	1585,-	267,-	1852,-
AW 1000-3, painted	B	1472,-	222,-	1694,-
AW 1000-10F, painted	B	997,-	222,-	1219,-
AW 1000-10F, hot-dip galvanized	B	1154,-	222,-	1376,-

Sump Tray Type AW/SW	Category	Price	Freight charges	Price including freight charges
AW 450/SW, painted	B	815,-	122,-	937,-
AW 450/SW, hot-dip galvanized	B	964,-	172,-	1136,-
AW 800/SW, painted	B	839,-	172,-	1011,-
AW 800/SW, hot-dip galvanized	B	997,-	172,-	1169,-
AW 1000/SW, painted	B	844,-	172,-	1016,-
AW 1000/SW, hot-dip galvanized	B	1006,-	172,-	1178,-
AW 1000-2/SW, painted	B	1054,-	222,-	1276,-
AW 1000-2/SW, hot-dip galvanized	B	1155,-	267,-	1422,-
AW 1000-3/SW, painted	B	1726,-	267,-	1993,-
AW 1000-3/SW, hot-dip galvanized	B	2049,-	337,-	2386,-
AW 1000-10F/SW, painted	B	1340,-	267,-	1607,-
AW 1000-10F/SW, hot-dip galvanized	B	1495,-	267,-	1762,-

Mobile Sump Tray AW 60-1 SR	Category	Price	Freight charges	Price including freight charges
AW 60-1 SR, painted	B	314,-	88,-	402,-

Prices in EUR, valid EXW DE-46354 Südlohn, DE-38820 Halberstadt, unpacked
Freight charges valid CPT Czech Republic, islands and oversea territories excluded

Price List 0424 en-CZ

Environment / Storage



Mobile Sump Tray AW 60-1 SR	Category	Price	Freight charges	Price including freight charges
Fixture and Tension belt for 2 x 60 Litre Drums	B	43,-	8,-	51,-
AW 60-1 SR, hot-dip galvanized	B	333,-	88,-	421,-
Fixture and Tension belt for 2 x 60 Litre Drums	B	43,-	8,-	51,-
Mobile Sump Tray AW 60-1 SRF	Category	Price	Freight charges	Price including freight charges
AW 60-1 SRF, painted	B	414,-	88,-	502,-
AW 60-1 SRF, hot-dip galvanized	B	435,-	88,-	523,-
Sump Tray Type AW 60	Category	Price	Freight charges	Price including freight charges
AW 60-1, painted	B	170,-	32,-	202,-
Grid GR 60-1, hot-dip galvanized	B	22,-	8,-	30,-
Drum Support FA 60-A for Drum Shelf AG 60, galvanized	B	24,-	8,-	32,-
Rotating Support RA 60-A, hot-dip galvanized	B	93,-	9,-	102,-
Canister Stand AB, galvanized	B	18,-	8,-	26,-
AG 60-1, hot-dip galvanized	B	108,-	12,-	120,-
Castor Set, polyamide, Load capacity 375 kg / castor set	B	83,-	15,-	98,-
AW 60-1, hot-dip galvanized	B	182,-	32,-	214,-
Grid GR 60-1, hot-dip galvanized	B	22,-	8,-	30,-
Drum Support FA 60-A for Drum Shelf AG 60, galvanized	B	24,-	8,-	32,-
Rotating Support RA 60-A, hot-dip galvanized	B	93,-	9,-	102,-
AG 60-1, hot-dip galvanized	B	108,-	12,-	120,-
Canister Stand AB, galvanized	B	18,-	8,-	26,-
Castor Set, polyamide, Load capacity 375 kg / castor set	B	83,-	15,-	98,-
AW 60-2, painted	B	171,-	88,-	259,-
Grid GR 60-2, hot-dip galvanized	B	26,-	12,-	38,-
Drum Support FA 60-A for Drum Shelf AG 60, galvanized	B	24,-	8,-	32,-
Rotating Support RA 60-A, hot-dip galvanized	B	93,-	9,-	102,-
AG 60-2, hot-dip galvanized	B	113,-	14,-	127,-
Canister Stand AB, galvanized	B	18,-	8,-	26,-
Castor Set, polyamide, Load capacity 375 kg / castor set	B	83,-	15,-	98,-
AW 60-2, hot-dip galvanized	B	188,-	88,-	276,-
Grid GR 60-2, hot-dip galvanized	B	26,-	12,-	38,-
Drum Support FA 60-A for Drum Shelf AG 60, galvanized	B	24,-	8,-	32,-
Rotating Support RA 60-A, hot-dip galvanized	B	93,-	9,-	102,-
AG 60-2, hot-dip galvanized	B	113,-	14,-	127,-
Canister Stand AB, galvanized	B	18,-	8,-	26,-
Castor Set, polyamide, Load capacity 375 kg / castor set	B	83,-	15,-	98,-
AW 60-3, painted	B	186,-	88,-	274,-
Grid GR 60-3, hot-dip galvanized	B	38,-	14,-	52,-
Drum Support FA 60-A for Drum Shelf AG 60, galvanized	B	24,-	8,-	32,-
Rotating Support RA 60-A, hot-dip galvanized	B	93,-	9,-	102,-
AG 60-3, hot-dip galvanized	B	121,-	15,-	136,-
Canister Stand AB, galvanized	B	18,-	8,-	26,-
Castor Set, polyamide, Load capacity 375 kg / castor set	B	83,-	15,-	98,-
AW 60-3, hot-dip galvanized	B	209,-	88,-	297,-

Prices in EUR, valid EXW DE-46354 Südlohn, DE-38820 Halberstadt, unpacked
Freight charges valid CPT Czech Republic, islands and oversea territories excluded

Price List 0424 en-CZ

Environment / Storage



Sump Tray Type AW 60	Category	Price	Freight charges	Price including freight charges
Grid GR 60-3, hot-dip galvanized	B	38,-	14,-	52,-
Drum Support FA 60-A for Drum Shelf AG 60, galvanized	B	24,-	8,-	32,-
Rotating Support RA 60-A, hot-dip galvanized	B	93,-	9,-	102,-
AG 60-3, hot-dip galvanized	B	121,-	15,-	136,-
Canister Stand AB, galvanized	B	18,-	8,-	26,-
Castor Set, polyamide, Load capacity 375 kg / castor set	B	83,-	15,-	98,-

Sump Tray Type AW 60/M	Category	Price	Freight charges	Price including freight charges
AW 60-1/M, painted	B	189,-	88,-	277,-
Drum Support FA 60-A for Drum Shelf AG 60, galvanized	B	24,-	8,-	32,-
Rotating Support RA 60-A, hot-dip galvanized	B	93,-	9,-	102,-
AG 60-1, hot-dip galvanized	B	108,-	12,-	120,-
Canister Stand AB, galvanized	B	18,-	8,-	26,-
Castor Set, polyamide, Load capacity 375 kg / castor set	B	83,-	15,-	98,-
AW 60-1/M, hot-dip galvanized	B	203,-	88,-	291,-
Drum Support FA 60-A for Drum Shelf AG 60, galvanized	B	24,-	8,-	32,-
Rotating Support RA 60-A, hot-dip galvanized	B	93,-	9,-	102,-
AG 60-1, hot-dip galvanized	B	108,-	12,-	120,-
Canister Stand AB, galvanized	B	18,-	8,-	26,-
Castor Set, polyamide, Load capacity 375 kg / castor set	B	83,-	15,-	98,-
AW 60-2/M, painted	B	196,-	88,-	284,-
Drum Support FA 60-A for Drum Shelf AG 60, galvanized	B	24,-	8,-	32,-
Drum Support FA 60-2, hot-dip galvanized	B	114,-	18,-	132,-
Rotating Support RA 60-A, hot-dip galvanized	B	93,-	9,-	102,-
AG 60-2, hot-dip galvanized	B	113,-	14,-	127,-
Canister Stand AB, galvanized	B	18,-	8,-	26,-
Castor Set, polyamide, Load capacity 375 kg / castor set	B	83,-	15,-	98,-
AW 60-2/M, hot-dip galvanized	B	213,-	88,-	301,-
Drum Support FA 60-A for Drum Shelf AG 60, galvanized	B	24,-	8,-	32,-
Drum Support FA 60-2, hot-dip galvanized	B	114,-	18,-	132,-
Rotating Support RA 60-A, hot-dip galvanized	B	93,-	9,-	102,-
AG 60-2, hot-dip galvanized	B	113,-	14,-	127,-
Canister Stand AB, galvanized	B	18,-	8,-	26,-
Castor Set, polyamide, Load capacity 375 kg / castor set	B	83,-	15,-	98,-
AW 60-3/M, painted	B	224,-	88,-	312,-
Drum Support FA 60-A for Drum Shelf AG 60, galvanized	B	24,-	8,-	32,-
Drum Support FA 60-2, hot-dip galvanized	B	114,-	18,-	132,-
Drum Support FA 60-3, hot-dip galvanized	B	133,-	21,-	154,-
Rotating Support RA 60-A, hot-dip galvanized	B	93,-	9,-	102,-
AG 60-3, hot-dip galvanized	B	121,-	15,-	136,-
Canister Stand AB, galvanized	B	18,-	8,-	26,-
Castor Set, polyamide, Load capacity 375 kg / castor set	B	83,-	15,-	98,-
AW 60-3/M, hot-dip galvanized	B	245,-	88,-	333,-
Drum Support FA 60-A for Drum Shelf AG 60, galvanized	B	24,-	8,-	32,-
Drum Support FA 60-2, hot-dip galvanized	B	114,-	18,-	132,-
Drum Support FA 60-3, hot-dip galvanized	B	133,-	21,-	154,-

Prices in EUR, valid EXW DE-46354 Südlohn, DE-38820 Halberstadt, unpacked
Freight charges valid CPT Czech Republic, islands and oversea territories excluded

Price List 0424 en-CZ

Environment / Storage



Sump Tray Type AW 60/M	Category	Price	Freight charges	Price including freight charges
Rotating Support RA 60-A, hot-dip galvanized	B	93,-	9,-	102,-
AG 60-3, hot-dip galvanized	B	121,-	15,-	136,-
Canister Stand AB, galvanized	B	18,-	8,-	26,-
Castor Set, polyamide, Load capacity 375 kg / castor set	B	83,-	15,-	98,-

Sump Tray Type AW/PE	Category	Price	Freight charges	Price including freight charges
AW-1/PE, painted	B	635,-	88,-	723,-
AW-1/PE, hot-dip galvanized	B	664,-	88,-	752,-
AW-2/PE, painted	B	696,-	88,-	784,-
Drum Support FA 60-1, hot-dip galvanized	B	105,-	15,-	120,-
Drum Support FA 60-2, hot-dip galvanized	B	114,-	18,-	132,-
Drum Support FA 60-3, hot-dip galvanized	B	133,-	21,-	154,-
Drum Support FA 200-1, hot-dip galvanized	B	114,-	15,-	129,-
Can Shelf Type GR-A, galvanized	B	133,-	32,-	165,-
Can Shelf Type GR-B, galvanized	B	133,-	32,-	165,-
Can Shelf Type GR-C, galvanized	B	133,-	32,-	165,-
AW-2/PE, hot-dip galvanized	B	731,-	88,-	819,-
Drum Support FA 60-1, hot-dip galvanized	B	105,-	15,-	120,-
Drum Support FA 60-2, hot-dip galvanized	B	114,-	18,-	132,-
Drum Support FA 60-3, hot-dip galvanized	B	133,-	21,-	154,-
Drum Support FA 200-1, hot-dip galvanized	B	114,-	15,-	129,-
Can Shelf Type GR-A, galvanized	B	133,-	32,-	165,-
Can Shelf Type GR-B, galvanized	B	133,-	32,-	165,-
Can Shelf Type GR-C, galvanized	B	133,-	32,-	165,-
AW-4/A/PE, painted	B	790,-	122,-	912,-
Drum Support FA 60-1, hot-dip galvanized	B	105,-	15,-	120,-
Drum Support FA 60-2, hot-dip galvanized	B	114,-	18,-	132,-
Drum Support FA 60-3, hot-dip galvanized	B	133,-	21,-	154,-
Drum Support FA 200-1, hot-dip galvanized	B	114,-	15,-	129,-
Drum Support FA 200-2, hot-dip galvanized	B	133,-	22,-	155,-
Can Shelf Type GR-A, galvanized	B	133,-	32,-	165,-
Can Shelf Type GR-B, galvanized	B	133,-	32,-	165,-
Can Shelf Type GR-C, galvanized	B	133,-	32,-	165,-
AW-4/A/PE, hot-dip galvanized	B	829,-	122,-	951,-
Drum Support FA 60-1, hot-dip galvanized	B	105,-	15,-	120,-
Drum Support FA 60-2, hot-dip galvanized	B	114,-	18,-	132,-
Drum Support FA 60-3, hot-dip galvanized	B	133,-	21,-	154,-
Drum Support FA 200-1, hot-dip galvanized	B	114,-	15,-	129,-
Drum Support FA 200-2, hot-dip galvanized	B	133,-	22,-	155,-
Can Shelf Type GR-A, galvanized	B	133,-	32,-	165,-
Can Shelf Type GR-B, galvanized	B	133,-	32,-	165,-
Can Shelf Type GR-C, galvanized	B	133,-	32,-	165,-
AW-4/B/PE, painted	B	986,-	172,-	1158,-
Drum Support FA 60-1, hot-dip galvanized	B	105,-	15,-	120,-
Drum Support FA 60-2, hot-dip galvanized	B	114,-	18,-	132,-
Drum Support FA 60-3, hot-dip galvanized	B	133,-	21,-	154,-

Prices in EUR, valid EXW DE-46354 Südlohn, DE-38820 Halberstadt, unpacked
Freight charges valid CPT Czech Republic, islands and oversea territories excluded

Price List 0424 en-CZ

Environment / Storage



Sump Tray Type AW/PE	Category	Price	Freight charges	Price including freight charges
Can Shelf Type GR-A, galvanized	B	133,-	32,-	165,-
Can Shelf Type GR-B, galvanized	B	133,-	32,-	165,-
Can Shelf Type GR-C, galvanized	B	133,-	32,-	165,-
AW-4/B/PE, hot-dip galvanized	B	1058,-	172,-	1230,-
Drum Support FA 60-1, hot-dip galvanized	B	105,-	15,-	120,-
Drum Support FA 60-2, hot-dip galvanized	B	114,-	18,-	132,-
Drum Support FA 60-3, hot-dip galvanized	B	133,-	21,-	154,-
Can Shelf Type GR-A, galvanized	B	133,-	32,-	165,-
Can Shelf Type GR-B, galvanized	B	133,-	32,-	165,-
Can Shelf Type GR-C, galvanized	B	133,-	32,-	165,-
AW 1000/PE, painted	B	1339,-	172,-	1511,-
AW 1000/PE, hot-dip galvanized	B	1521,-	172,-	1693,-
AW 1000-2/PE, painted	B	1642,-	222,-	1864,-
AW 1000-2/PE, hot-dip galvanized	B	1756,-	222,-	1978,-

Sump Trays AW 8-12	Category	Price	Freight charges	Price including freight charges
AW-8, painted	B	707,-	172,-	879,-
AW-8, hot-dip galvanized	B	787,-	222,-	1009,-
AW-10, painted	B	873,-	222,-	1095,-
AW-10, hot-dip galvanized	B	1197,-	222,-	1419,-
AW-12, painted	B	1000,-	222,-	1222,-
AW-12, hot-dip galvanized	B	1382,-	222,-	1604,-

Sump Tray Type AWA	Category	Price	Freight charges	Price including freight charges
AWA 1000, painted	B	834,-	122,-	956,-
AWA 1000, hot-dip galvanized	B	1009,-	172,-	1181,-
AWA 1000-2, painted	B	1197,-	222,-	1419,-
AWA 1000-2, hot-dip galvanized	B	1327,-	222,-	1549,-
AWA 1000-3, painted	B	2177,-	267,-	2444,-
AWA 1000-3, hot-dip galvanized	B	2304,-	337,-	2641,-
AWA 21, painted	B	1012,-	222,-	1234,-
AWA 21, hot-dip galvanized	B	1142,-	222,-	1364,-
AWA 31, painted	B	1889,-	267,-	2156,-
AWA 31, hot-dip galvanized	B	2006,-	267,-	2273,-
AWA 32, painted	B	2055,-	267,-	2322,-
AWA 32, hot-dip galvanized	B	2173,-	267,-	2440,-

Sump Tray Type AWA/SW	Category	Price	Freight charges	Price including freight charges
AWA 1000/SW, painted	B	1028,-	172,-	1200,-
AWA 1000/SW, hot-dip galvanized	B	1203,-	172,-	1375,-
AWA 1000-2/SW, painted	B	1422,-	267,-	1689,-
AWA 1000-2/SW, hot-dip galvanized	B	1550,-	267,-	1817,-
AWA 1000-3/SW, painted	B	2432,-	337,-	2769,-
AWA 1000-3/SW, hot-dip galvanized	B	2558,-	337,-	2895,-
AWA 21/SW, painted	B	1234,-	267,-	1501,-

Prices in EUR, valid EXW DE-46354 Südlohn, DE-38820 Halberstadt, unpacked
Freight charges valid CPT Czech Republic, islands and oversea territories excluded

Price List 0424 en-CZ

Environment / Storage



Sump Tray Type AWA/SW	Category	Price	Freight charges	Price including freight charges
AWA 21/SW, hot-dip galvanized	B	1365,-	267,-	1632,-
AWA 31/SW, painted	B	2142,-	337,-	2479,-
AWA 31/SW, hot-dip galvanized	B	2259,-	337,-	2596,-
AWA 32/SW, painted	B	2307,-	337,-	2644,-
AWA 32/SW, hot-dip galvanized	B	2427,-	337,-	2764,-

Sump Tray Type AW-F	Category	Price	Freight charges	Price including freight charges
AW-F 1, painted	B	634,-	88,-	722,-
Fixture and Tension Belt for 1 x 200 Litre Drum	B	46,-	9,-	55,-
AW-F 1, hot-dip galvanized	B	753,-	88,-	841,-
Fixture and Tension Belt for 1 x 200 Litre Drum	B	46,-	9,-	55,-
AW-F 2, painted	B	664,-	88,-	752,-
Fixture and Tension Belt for 2 x 200 Litre Drums	B	46,-	9,-	55,-
AW-F 2, hot-dip galvanized	B	813,-	88,-	901,-
Fixture and Tension Belt for 2 x 200 Litre Drums	B	46,-	9,-	55,-

Ground Protection Spill Tray Type BSW	Category	Price	Freight charges	Price including freight charges
BSW 21, galvanized	B	433,-	122,-	555,-
Access Ramp AR 21, galvanized	B	160,-	22,-	182,-
Access Corner Piece AE 24, galvanized	B	125,-	10,-	135,-
Cross-Shaped Connector KV 24, galvanized	B	19,-	8,-	27,-
Tray Connecting Strip WV 21, galvanized	B	21,-	8,-	29,-
BSW 22, galvanized	B	570,-	122,-	692,-
Access Ramp AR 21, galvanized	B	160,-	22,-	182,-
Access Ramp AR 22, galvanized	B	203,-	32,-	235,-
Access Corner Piece AE 24, galvanized	B	125,-	10,-	135,-
Cross-Shaped Connector KV 24, galvanized	B	19,-	8,-	27,-
Tray Connecting Strip WV 21, galvanized	B	21,-	8,-	29,-
Tray Connecting Strip WV 22, galvanized	B	23,-	8,-	31,-
BSW 23, galvanized	B	738,-	159,-	897,-
Access Ramp AR 23, galvanized	B	289,-	137,-	426,-
Access Ramp AR 21, galvanized	B	160,-	22,-	182,-
Access Corner Piece AE 24, galvanized	B	125,-	10,-	135,-
Cross-Shaped Connector KV 24, galvanized	B	19,-	8,-	27,-
Tray Connecting Strip WV 21, galvanized	B	21,-	8,-	29,-
Tray Connecting Strip WV 23, galvanized	B	35,-	9,-	44,-
BSW 24, galvanized	B	1295,-	197,-	1492,-
Access Ramp AR 23, galvanized	B	289,-	137,-	426,-
Access Ramp AR 22, galvanized	B	203,-	32,-	235,-
Access Corner Piece AE 24, galvanized	B	125,-	10,-	135,-
Cross-Shaped Connector KV 24, galvanized	B	19,-	8,-	27,-
Tray Connecting Strip WV 22, galvanized	B	23,-	8,-	31,-
Tray Connecting Strip WV 23, galvanized	B	35,-	9,-	44,-
BSW 121, galvanized	B	192,-	32,-	224,-
Access Ramp AR 121, galvanized	B	157,-	22,-	179,-

Prices in EUR, valid EXW DE-46354 Südlohn, DE-38820 Halberstadt, unpacked
 Freight charges valid CPT Czech Republic, islands and oversea territories excluded

Price List 0424 en-CZ

Environment / Storage



Ground Protection Spill Tray Type BSW	Category	Price	Freight charges	Price including freight charges
Cross-Shaped Connector KV 24, galvanized	B	19,-	8,-	27,-
Tray Connecting Strip WV 121, galvanized	B	20,-	9,-	29,-
BSW 122, galvanized	B	234,-	88,-	322,-
Access Ramp AR 121, galvanized	B	157,-	22,-	179,-
Access Ramp AR 122, galvanized	B	265,-	36,-	301,-
Access Corner Piece AE 124, galvanized	B	252,-	21,-	273,-
Cross-Shaped Connector KV 24, galvanized	B	19,-	8,-	27,-
Tray Connecting Strip WV 121, galvanized	B	20,-	9,-	29,-
Tray Connecting Strip WV 122, galvanized	B	25,-	9,-	34,-
BSW 123, galvanized	B	327,-	88,-	415,-
Access Ramp AR 122, galvanized	B	265,-	36,-	301,-
Access Corner Piece AE 124, galvanized	B	252,-	21,-	273,-
Cross-Shaped Connector KV 24, galvanized	B	19,-	8,-	27,-
Tray Connecting Strip WV 122, galvanized	B	25,-	9,-	34,-
BSW 124, galvanized	B	534,-	122,-	656,-
Access Ramp AR 122, galvanized	B	265,-	36,-	301,-
Access Ramp AR 123, galvanized	B	326,-	122,-	448,-
Access Corner Piece AE 124, galvanized	B	252,-	21,-	273,-
Cross-Shaped Connector KV 24, galvanized	B	19,-	8,-	27,-
Tray Connecting Strip WV 122, galvanized	B	25,-	9,-	34,-
Tray Connecting Strip WV 123, galvanized	B	34,-	9,-	43,-
BSW 125, galvanized	B	411,-	172,-	583,-
Access Ramp AR 121, galvanized	B	157,-	22,-	179,-
Access Ramp AR 124, galvanized	B	378,-	172,-	550,-
Access Corner Piece AE 124, galvanized	B	252,-	21,-	273,-
Cross-Shaped Connector KV 24, galvanized	B	19,-	8,-	27,-
Tray Connecting Strip WV 121, galvanized	B	20,-	9,-	29,-
Tray Connecting Strip WV 124, galvanized	B	47,-	9,-	56,-
BSW 126, galvanized	B	645,-	222,-	867,-
Access Ramp AR 122, galvanized	B	265,-	36,-	301,-
Access Ramp AR 124, galvanized	B	378,-	172,-	550,-
Access Corner Piece AE 124, galvanized	B	252,-	21,-	273,-
Cross-Shaped Connector KV 24, galvanized	B	19,-	8,-	27,-
Tray Connecting Strip WV 122, galvanized	B	25,-	9,-	34,-
Tray Connecting Strip WV 124, galvanized	B	47,-	9,-	56,-
Polyethylene Bunded Spill Flooring Type BWP-PE	Category	Price	Freight charges	Price including freight charges
BWP-PE 150, made of robust polyethylene	B	305,-	88,-	393,-
Ramp Type BWR, robust polyethylene, black	B	214,-	12,-	226,-
Joining Element BWV 2, stainless steel 1.4301	B	28,-	9,-	37,-
BWP-PE 300, made of robust polyethylene	B	619,-	88,-	707,-
Ramp Type BWR, robust polyethylene, black	B	214,-	12,-	226,-
Joining Element BWV 4, stainless steel 1.4301	B	36,-	10,-	46,-

Prices in EUR, valid EXW DE-46354 Südlohn, DE-38820 Halberstadt, unpacked
Freight charges valid CPT Czech Republic, islands and oversea territories excluded

Price List 0424 en-CZ

Environment / Storage



Polyethylene Bunded Spill Flooring Type BWPS-PE	Category	Price	Freight charges	Price including freight charges
BWPS-PE 300, made of robust polyethylene	B	759,-	138,-	897,-
Ramp Type BWR, robust polyethylene, black	B	214,-	12,-	226,-
Joining Element BWV 2, stainless steel 1.4301	B	28,-	9,-	37,-

Shelf Container Type CEH	Category	Price	Freight charges	Price including freight charges
CEH 29-2, painted	C	8832,-	on request	on request
CEH 29-2 IBC, painted	C	9735,-	on request	on request
CEH 36-2 IBC, painted	C	11330,-	on request	on request
CEH 38-2, painted	C	11322,-	on request	on request
CEH 59-2, painted	C	16765,-	on request	on request
CEH 59-2 IBC, painted	C	17999,-	on request	on request
CEH 75-2 IBC, painted	C	21334,-	on request	on request
CEH 81-2, painted	C	21762,-	on request	on request

Shelf Container Type CEN	Category	Price	Freight charges	Price including freight charges
CEN 29-2, painted	C	7453,-	on request	on request
Potential equalisation	C	177,-	0,-	177,-
CEN 29-2 IBC, painted	C	8136,-	on request	on request
Potential equalisation	C	177,-	0,-	177,-
CEN 29-2b, painted	C	12990,-	on request	on request
Potential equalisation	C	353,-	0,-	353,-
CEN 29-2b IBC, painted	C	13892,-	on request	on request
Potential equalisation	C	353,-	0,-	353,-
CEN 29-3, painted	C	11729,-	on request	on request
Potential equalisation	C	264,-	0,-	264,-
CEN 29-3 IBC, painted	C	12480,-	on request	on request
Potential equalisation	C	264,-	0,-	264,-
CEN 29-3b, painted	C	19088,-	on request	on request
Potential equalisation	C	527,-	0,-	527,-
CEN 29-3b IBC, painted	C	20156,-	on request	on request
Potential equalisation	C	527,-	0,-	527,-
CEN 33-2 IBC, painted	C	9075,-	on request	on request
Potential equalisation	C	177,-	0,-	177,-
CEN 33-2b IBC, painted	C	15207,-	on request	on request
Potential equalisation	C	353,-	0,-	353,-
CEN 33-3 IBC, painted	C	13380,-	on request	on request
Potential equalisation	C	264,-	0,-	264,-
CEN 33-3b IBC, painted	C	21273,-	on request	on request
Potential equalisation	C	527,-	0,-	527,-
CEN 36-2, painted	C	9149,-	on request	on request
Potential equalisation	C	177,-	0,-	177,-
CEN 36-2b, painted	C	15565,-	on request	on request
Potential equalisation	C	353,-	0,-	353,-
CEN 36-3, painted	C	13571,-	on request	on request
Potential equalisation	C	264,-	0,-	264,-

Prices in EUR, valid EXW DE-46354 Südlohn, DE-38820 Halberstadt, unpacked
 Freight charges valid CPT Czech Republic, islands and oversea territories excluded

Price List 0424 en-CZ

Environment / Storage



Shelf Container Type CEN	Category	Price	Freight charges	Price including freight charges
CEN 36-3b, painted	C	21925,-	on request	on request
Potential equalisation	C	527,-	0,-	527,-
CEN 59-2, painted	C	12340,-	on request	on request
Potential equalisation	C	352,-	0,-	352,-
CEN 59-2 IBC, painted	C	13446,-	on request	on request
Potential equalisation	C	352,-	0,-	352,-
CEN 59-2b, painted	C	21238,-	on request	on request
Potential equalisation	C	704,-	0,-	704,-
CEN 59-2b IBC, painted	C	21984,-	on request	on request
Potential equalisation	C	704,-	0,-	704,-
CEN 59-3, painted	C	18998,-	on request	on request
Potential equalisation	C	526,-	0,-	526,-
CEN 59-3 IBC, painted	C	20108,-	on request	on request
Potential equalisation	C	526,-	0,-	526,-
CEN 59-3b, painted	C	30667,-	on request	on request
Potential equalisation	C	1052,-	0,-	1052,-
CEN 59-3b IBC, painted	C	32274,-	on request	on request
Potential equalisation	C	1052,-	0,-	1052,-
CEN 65-2 IBC, painted	C	14494,-	on request	on request
Potential equalisation	C	352,-	0,-	352,-
CEN 65-2b IBC, painted	C	24443,-	on request	on request
Potential equalisation	C	704,-	0,-	704,-
CEN 65-3 IBC, painted	C	21255,-	on request	on request
Potential equalisation	C	526,-	0,-	526,-
CEN 65-3b IBC, painted	C	34704,-	on request	on request
Potential equalisation	C	1052,-	0,-	1052,-
CEN 75-2, painted	C	15462,-	on request	on request
Potential equalisation	C	352,-	0,-	352,-
CEN 75-2b, painted	C	25589,-	on request	on request
Potential equalisation	C	704,-	0,-	704,-
CEN 75-3, painted	C	22305,-	on request	on request
Potential equalisation	C	526,-	0,-	526,-
CEN 75-3b, painted	C	36212,-	on request	on request
Potential equalisation	C	1052,-	0,-	1052,-
CEN 81-2, painted	C	16220,-	on request	on request
Potential equalisation	C	352,-	0,-	352,-
CEN 81-2b, painted	C	26755,-	on request	on request
Potential equalisation	C	704,-	0,-	704,-
CEN 81-3, painted	C	23356,-	on request	on request
Potential equalisation	C	526,-	0,-	526,-
CEN 81-3b, painted	C	37796,-	on request	on request
Potential equalisation	C	1052,-	0,-	1052,-
Sump Tray for Skips Type CW	Category	Price	Freight charges	Price including freight charges
CW 1, painted	B	2852,-	on request	on request
CW 2, painted	B	3116,-	on request	on request

Prices in EUR, valid EXW DE-46354 Südlohn, DE-38820 Halberstadt, unpacked
 Freight charges valid CPT Czech Republic, islands and oversea territories excluded

Price List 0424 en-CZ

Environment / Storage



Sump Tray for Skips Type CW	Category	Price	Freight charges	Price including freight charges
CW 3, painted	B	3596,-	on request	on request

Sump Tray Type ECO	Category	Price	Freight charges	Price including freight charges
ECO 1/200, painted	B	237,-	88,-	325,-
ECO 1/200, hot-dip galvanized	B	247,-	88,-	335,-
ECO 2/200, painted	B	252,-	88,-	340,-
ECO 2/200, hot-dip galvanized	B	260,-	88,-	348,-
ECO 4/200, painted	B	275,-	88,-	363,-
ECO 4/200, hot-dip galvanized	B	286,-	88,-	374,-
ECO 4/400, painted	B	342,-	88,-	430,-
ECO 4/400, hot-dip galvanized	B	357,-	88,-	445,-
ECO 1/1000, painted	B	610,-	122,-	732,-
ECO 1/1000, hot-dip galvanized	B	733,-	122,-	855,-
ECO 2/1000, painted	B	798,-	172,-	970,-
ECO 2/1000, hot-dip galvanized	B	884,-	172,-	1056,-

Sump Tray Type ECO-A	Category	Price	Freight charges	Price including freight charges
ECO-A 1/1000, painted	B	802,-	122,-	924,-
ECO-A 1/1000, hot-dip galvanized	B	938,-	122,-	1060,-
ECO-A 2/1000, painted	B	1179,-	222,-	1401,-
ECO-A 2/1000, hot-dip galvanized	B	1295,-	222,-	1517,-

Sump Tray Type ECO-S	Category	Price	Freight charges	Price including freight charges
ECO-S 2/200, hot-dip galvanized	B	3330,-	315,-	3645,-
ECO-S 4/200, hot-dip galvanized	B	3915,-	465,-	4380,-
ECO-S 4/400, hot-dip galvanized	B	4830,-	465,-	5295,-

Suspended Sump with Polyethylene Inlay Type EHW PE	Category	Price	Freight charges	Price including freight charges
EHW 1800 PE, painted	B	878,-	122,-	1000,-
EHW 1800 PE, hot-dip galvanized	B	890,-	122,-	1012,-
EHW 2200 PE, painted	B	953,-	122,-	1075,-
EHW 2200 PE, hot-dip galvanized	B	993,-	122,-	1115,-
EHW 2700 PE, painted	B	1105,-	222,-	1327,-
EHW 2700 PE, hot-dip galvanized	B	1170,-	222,-	1392,-
EHW 3300 PE, painted	B	1597,-	222,-	1819,-
EHW 3300 PE, hot-dip galvanized	B	1668,-	222,-	1890,-

Suspended Sump Type EHW	Category	Price	Freight charges	Price including freight charges
EHW 1800, painted	B	491,-	122,-	613,-
EHW 1800, hot-dip galvanized	B	503,-	122,-	625,-
EHW 2200, painted	B	544,-	122,-	666,-
EHW 2200, hot-dip galvanized	B	584,-	122,-	706,-
EHW 2700, painted	B	626,-	172,-	798,-
EHW 2700, hot-dip galvanized	B	692,-	172,-	864,-
EHW 3300, painted	B	968,-	222,-	1190,-

Prices in EUR, valid EXW DE-46354 Südlohn, DE-38820 Halberstadt, unpacked
Freight charges valid CPT Czech Republic, islands and oversea territories excluded

Price List 0424 en-CZ

Environment / Storage



Suspended Sump Type EHW	Category	Price	Freight charges	Price including freight charges
EHW 3300, hot-dip galvanized	B	1039,-	222,-	1261,-
EHW 3600, painted	B	1014,-	222,-	1236,-
EHW 3600, hot-dip galvanized	B	1092,-	222,-	1314,-
Drum Pallet Type FP	Category	Price	Freight charges	Price including freight charges
FP 2, hot-dip galvanized	B	88,-	88,-	176,-
Drum Shelve Type FR	Category	Price	Freight charges	Price including freight charges
FR-1, hot-dip galvanized	B	283,-	88,-	371,-
Can Stand Type GS, hot-dip galvanized	B	62,-	18,-	80,-
Clip-on Rotating Support, galvanized	B	82,-	10,-	92,-
FR-2, hot-dip galvanized	B	362,-	88,-	450,-
Can Stand Type GS, hot-dip galvanized	B	62,-	18,-	80,-
Clip-on Rotating Support, galvanized	B	82,-	10,-	92,-
FR-3, hot-dip galvanized	B	404,-	88,-	492,-
Can Stand Type GS, hot-dip galvanized	B	62,-	18,-	80,-
Rotating Support RA 60, hot-dip galvanized	B	93,-	9,-	102,-
Sump Tray Type FRA	Category	Price	Freight charges	Price including freight charges
FRA-1, painted	B	299,-	88,-	387,-
Grid, hot-dip galvanized	B	64,-	16,-	80,-
FRA-1, hot-dip galvanized	B	354,-	88,-	442,-
Grid, hot-dip galvanized	B	64,-	16,-	80,-
FRA-2, painted	B	311,-	88,-	399,-
Grid, hot-dip galvanized	B	127,-	24,-	151,-
FRA-2, hot-dip galvanized	B	365,-	88,-	453,-
Grid, hot-dip galvanized	B	127,-	24,-	151,-
FRA-3, painted	B	311,-	88,-	399,-
Grid, hot-dip galvanized	B	127,-	24,-	151,-
FRA-3, hot-dip galvanized	B	365,-	88,-	453,-
Grid, hot-dip galvanized	B	127,-	24,-	151,-
Drum Shelf Type FRE/M	Category	Price	Freight charges	Price including freight charges
FRE-1/M, hot-dip galvanized	B	217,-	21,-	238,-
Clip-on Rotating Support, galvanized	B	82,-	10,-	92,-
Can Stand Type GS, hot-dip galvanized	B	62,-	18,-	80,-
FRE-2/M, hot-dip galvanized	B	252,-	22,-	274,-
Clip-on Rotating Support, galvanized	B	82,-	10,-	92,-
Can Stand Type GS, hot-dip galvanized	B	62,-	18,-	80,-
FRE-3/M, hot-dip galvanized	B	269,-	27,-	296,-
Rotating Support RA 60, hot-dip galvanized	B	93,-	9,-	102,-
Can Stand Type GS, hot-dip galvanized	B	62,-	18,-	80,-
Can Shelf Type FRE-G/M	Category	Price	Freight charges	Price including freight charges
FRE-G1/M, hot-dip galvanized	B	228,-	27,-	255,-

Prices in EUR, valid EXW DE-46354 Südlohn, DE-38820 Halberstadt, unpacked
Freight charges valid CPT Czech Republic, islands and oversea territories excluded

Price List 0424 en-CZ

Environment / Storage



Can Shelf Type FRE-G/M	Category	Price	Freight charges	Price including freight charges
FRE-G2/M, hot-dip galvanized	B	264,-	32,-	296,-

Can Shelf for Small Cans Type FRG	Category	Price	Freight charges	Price including freight charges
FRG, hot-dip galvanized	B	368,-	88,-	456,-

Drum Stacking Pallet Type FSP-D	Category	Price	Freight charges	Price including freight charges
FSP-1 D, lackiert	B	816,-	122,-	938,-
FSP-1 D, hot-dip galvanized	B	1068,-	122,-	1190,-
FSP-2 D, lackiert	B	870,-	122,-	992,-
FSP-2 D, hot-dip galvanized	B	1180,-	122,-	1302,-
FSP-4 D, lackiert	B	1130,-	122,-	1252,-
FSP-4 D, hot-dip galvanized	B	1560,-	122,-	1682,-

Drum Stacking Pallet Type FSP-G	Category	Price	Freight charges	Price including freight charges
FSP-1 G, lackiert	B	793,-	122,-	915,-
FSP-1 G, hot-dip galvanized	B	1052,-	122,-	1174,-
FSP-2 G, painted	B	849,-	122,-	971,-
FSP-2 G, hot-dip galvanized	B	1156,-	122,-	1278,-
FSP-4 G, painted	B	1109,-	172,-	1281,-
FSP-4 G, hot-dip galvanized	B	1533,-	172,-	1705,-

Drum Stacking Pallet Type FSP	Category	Price	Freight charges	Price including freight charges
FSP-1, painted	B	467,-	88,-	555,-
FSP-1, hot-dip galvanized	B	702,-	122,-	824,-
FSP-2, painted	B	632,-	122,-	754,-
FSP-2, hot-dip galvanized	B	882,-	122,-	1004,-
FSP-4, painted	B	720,-	122,-	842,-
FSP-4, hot-dip galvanized	B	1112,-	122,-	1234,-

Hazardous Materials Depot Type GD-A	Category	Price	Freight charges	Price including freight charges
GD-A, painted	C	736,-	122,-	858,-
Drum Support FA 60-1, hot-dip galvanized	B	105,-	15,-	120,-
Drum Support FA 60-2, hot-dip galvanized	B	114,-	18,-	132,-
Drum Support FA 60-3, hot-dip galvanized	B	133,-	21,-	154,-
Can Shelf Type GR-A, galvanized	B	133,-	32,-	165,-
Can Shelf Type GR-B, galvanized	B	133,-	32,-	165,-
Can Shelf Type GR-C, galvanized	B	133,-	32,-	165,-
GD-A, hot-dip galvanized	C	927,-	122,-	1049,-
Drum Support FA 60-1, hot-dip galvanized	B	105,-	15,-	120,-
Drum Support FA 60-2, hot-dip galvanized	B	114,-	18,-	132,-
Drum Support FA 60-3, hot-dip galvanized	B	133,-	21,-	154,-
Can Shelf Type GR-A, galvanized	B	133,-	32,-	165,-
Can Shelf Type GR-B, galvanized	B	133,-	32,-	165,-
Can Shelf Type GR-C, galvanized	B	133,-	32,-	165,-

Prices in EUR, valid EXW DE-46354 Südlohn, DE-38820 Halberstadt, unpacked
 Freight charges valid CPT Czech Republic, islands and oversea territories excluded

Price List 0424 en-CZ

Environment / Storage



Hazardous Materials Depot Type GD-B	Category	Price	Freight charges	Price including freight charges
GD-B, painted	C	1316,-	122,-	1438,-
Drum Support FA 60-1, hot-dip galvanized	B	105,-	15,-	120,-
Drum Support FA 60-2, hot-dip galvanized	B	114,-	18,-	132,-
Drum Support FA 60-3, hot-dip galvanized	B	133,-	21,-	154,-
Can Shelf Type GR-A, galvanized	B	133,-	32,-	165,-
Can Shelf Type GR-B, galvanized	B	133,-	32,-	165,-
Can Shelf Type GR-C, galvanized	B	133,-	32,-	165,-
GD-B, hot-dip galvanized	C	1570,-	122,-	1692,-
Drum Support FA 60-1, hot-dip galvanized	B	105,-	15,-	120,-
Drum Support FA 60-2, hot-dip galvanized	B	114,-	18,-	132,-
Drum Support FA 60-3, hot-dip galvanized	B	133,-	21,-	154,-
Can Shelf Type GR-A, galvanized	B	133,-	32,-	165,-
Can Shelf Type GR-B, galvanized	B	133,-	32,-	165,-
Can Shelf Type GR-C, galvanized	B	133,-	32,-	165,-
Hazardous Materials Depot Type GD-C	Category	Price	Freight charges	Price including freight charges
GD-C, painted	C	1123,-	122,-	1245,-
Drum Support FA 60-1, hot-dip galvanized	B	105,-	15,-	120,-
Drum Support FA 60-2, hot-dip galvanized	B	114,-	18,-	132,-
Drum Support FA 60-3, hot-dip galvanized	B	133,-	21,-	154,-
Can Shelf Type GR-A, galvanized	B	133,-	32,-	165,-
Can Shelf Type GR-B, galvanized	B	133,-	32,-	165,-
Can Shelf Type GR-C, galvanized	B	133,-	32,-	165,-
GD-C, hot-dip galvanized	C	1269,-	122,-	1391,-
Drum Support FA 60-1, hot-dip galvanized	B	105,-	15,-	120,-
Drum Support FA 60-2, hot-dip galvanized	B	114,-	18,-	132,-
Drum Support FA 60-3, hot-dip galvanized	B	133,-	21,-	154,-
Can Shelf Type GR-A, galvanized	B	133,-	32,-	165,-
Can Shelf Type GR-B, galvanized	B	133,-	32,-	165,-
Can Shelf Type GR-C, galvanized	B	133,-	32,-	165,-
Hazardous Materials Depot Type GD-E	Category	Price	Freight charges	Price including freight charges
GD-E 2, galvanized	C	1509,-	172,-	1681,-
Drum Support FA 60-1, hot-dip galvanized	B	105,-	15,-	120,-
Drum Support FA 60-2, hot-dip galvanized	B	114,-	18,-	132,-
Drum Support FA 60-3, hot-dip galvanized	B	133,-	21,-	154,-
Can Shelf Type GR-A, galvanized	B	133,-	32,-	165,-
Can Shelf Type GR-B, galvanized	B	133,-	32,-	165,-
Can Shelf Type GR-C, galvanized	B	133,-	32,-	165,-
GD-E 4, galvanized	C	1842,-	217,-	2059,-
Drum Support FA 60-1, hot-dip galvanized	B	105,-	15,-	120,-
Drum Support FA 60-2, hot-dip galvanized	B	114,-	18,-	132,-
Drum Support FA 60-3, hot-dip galvanized	B	133,-	21,-	154,-
Can Shelf Type GR-A, galvanized	B	133,-	32,-	165,-
Can Shelf Type GR-B, galvanized	B	133,-	32,-	165,-

Prices in EUR, valid EXW DE-46354 Südlohn, DE-38820 Halberstadt, unpacked
Freight charges valid CPT Czech Republic, islands and oversea territories excluded

Price List 0424 en-CZ

Environment / Storage



Hazardous Materials Depot Type GD-E	Category	Price	Freight charges	Price including freight charges
Can Shelf Type GR-C, galvanized	B	133,-	32,-	165,-

Hazardous Materials Depot Type GD-E/IBC	Category	Price	Freight charges	Price including freight charges
GD-E/IBC, galvanized	C	2286,-	576,-	2862,-
GD-E/IBC-2, galvanized	C	3431,-	405,-	3836,-

Hazardous Materials Depot Type GD-N	Category	Price	Freight charges	Price including freight charges
GD-N 2, galvanized	C	1315,-	172,-	1487,-
Intermediate Storage Level ZB, galvanized, for Hazardous Materials Depot	C	102,-	18,-	120,-
Drum Support FA 60-1, hot-dip galvanized	B	105,-	15,-	120,-
Can Shelf Type GR-A, galvanized	B	133,-	32,-	165,-
Can Shelf Type GR-B, galvanized	B	133,-	32,-	165,-
Can Shelf Type GR-C, galvanized	B	133,-	32,-	165,-
GD-N 4, galvanized	C	1639,-	172,-	1811,-
Intermediate Storage Level ZB, galvanized, for Hazardous Materials Depot	C	102,-	18,-	120,-
Drum Support FA 60-1, hot-dip galvanized	B	105,-	15,-	120,-
Drum Support FA 60-2, hot-dip galvanized	B	114,-	18,-	132,-
Drum Support FA 200-1, hot-dip galvanized	B	114,-	15,-	129,-
Drum Support FA 200-2, hot-dip galvanized	B	133,-	22,-	155,-
Can Shelf Type GR-A, galvanized	B	133,-	32,-	165,-
Can Shelf Type GR-B, galvanized	B	133,-	32,-	165,-
Can Shelf Type GR-C, galvanized	B	133,-	32,-	165,-

Hazardous Materials Depot Type GD-N/R	Category	Price	Freight charges	Price including freight charges
GD-N/R 2, galvanized	C	1509,-	172,-	1681,-
Intermediate Storage Level ZB, galvanized, for Hazardous Materials Depot	C	102,-	18,-	120,-
Drum Support FA 60-1, hot-dip galvanized	B	105,-	15,-	120,-
Can Shelf Type GR-A, galvanized	B	133,-	32,-	165,-
Can Shelf Type GR-B, galvanized	B	133,-	32,-	165,-
Can Shelf Type GR-C, galvanized	B	133,-	32,-	165,-
GD-N/R 4, galvanized	C	1836,-	172,-	2008,-
Intermediate Storage Level ZB, galvanized, for Hazardous Materials Depot	C	102,-	18,-	120,-
Drum Support FA 60-1, hot-dip galvanized	B	105,-	15,-	120,-
Drum Support FA 60-2, hot-dip galvanized	B	114,-	18,-	132,-
Drum Support FA 200-1, hot-dip galvanized	B	114,-	15,-	129,-
Drum Support FA 200-2, hot-dip galvanized	B	133,-	22,-	155,-
Can Shelf Type GR-A, galvanized	B	133,-	32,-	165,-
Can Shelf Type GR-B, galvanized	B	133,-	32,-	165,-
Can Shelf Type GR-C, galvanized	B	133,-	32,-	165,-

Gas Cylinder Containers Type GFC	Category	Price	Freight charges	Price including freight charges
GFC-1 (grid floor), painted	B	4596,-	on request	on request
Access Ramp for Gas Cylinder Container GFC, hot-dip galvanized	B	157,-	22,-	179,-
GFC-2 (stud plate floor), painted	B	4665,-	on request	on request
Access Ramp for Gas Cylinder Container GFC, hot-dip galvanized	B	157,-	22,-	179,-

Prices in EUR, valid EXW DE-46354 Südlohn, DE-38820 Halberstadt, unpacked
 Freight charges valid CPT Czech Republic, islands and oversea territories excluded

Price List 0424 en-CZ

Environment / Storage



Gas Cylinder Containers Type GFC-B	Category	Price	Freight charges	Price including freight charges
GFC-B M0, painted	B	3290,-	576,-	3866,-
Fixture with Safety Chain to Secure Gas Cylinders, hot-dip galvanized	B	69,-	12,-	81,-
GFC-B M1, painted	B	3815,-	633,-	4448,-
Fixture with Safety Chain to Secure Gas Cylinders, hot-dip galvanized	B	69,-	12,-	81,-
GFC-B M2, painted	B	3974,-	633,-	4607,-
Fixture with Safety Chain to Secure Gas Cylinders, hot-dip galvanized	B	69,-	12,-	81,-
Rack for Gas Cylinders Type GFG, galvanized	B	197,-	88,-	285,-
GFC-B M3, painted	B	4600,-	633,-	5233,-
Fixture with Safety Chain to Secure Gas Cylinders, hot-dip galvanized	B	69,-	12,-	81,-
Rack for Gas Cylinders Type GFG, galvanized	B	197,-	88,-	285,-
GFC-B M4, painted	B	5173,-	681,-	5854,-
Fixture with Safety Chain to Secure Gas Cylinders, hot-dip galvanized	B	69,-	12,-	81,-
Rack for Gas Cylinders Type GFG, galvanized	B	197,-	88,-	285,-
GFC-B M5, painted	B	7187,-	840,-	8027,-
Fixture with Safety Chain to Secure Gas Cylinders, hot-dip galvanized	B	69,-	12,-	81,-
Rack for Gas Cylinders Type GFG, galvanized	B	197,-	88,-	285,-

Gas Cylinder Containers Type GFC-B/W	Category	Price	Freight charges	Price including freight charges
GFC-B/W M1, painted	B	4073,-	633,-	4706,-
Fixture with Safety Chain to Secure Gas Cylinders, hot-dip galvanized	B	69,-	12,-	81,-
GFC-B/W M2, painted	B	4271,-	633,-	4904,-
Fixture with Safety Chain to Secure Gas Cylinders, hot-dip galvanized	B	69,-	12,-	81,-
GFC-B/W M3, painted	B	4904,-	633,-	5537,-
Fixture with Safety Chain to Secure Gas Cylinders, hot-dip galvanized	B	69,-	12,-	81,-
GFC-B/W M4, painted	B	5483,-	681,-	6164,-
Fixture with Safety Chain to Secure Gas Cylinders, hot-dip galvanized	B	69,-	12,-	81,-
Rack for Gas Cylinders Type GFG, galvanized	B	197,-	88,-	285,-
GFC-B/W M5, painted	B	7578,-	876,-	8454,-
Fixture with Safety Chain to Secure Gas Cylinders, hot-dip galvanized	B	69,-	12,-	81,-
Rack for Gas Cylinders Type GFG, galvanized	B	197,-	88,-	285,-

Gas Cylinder Containers Type GFC-E/G	Category	Price	Freight charges	Price including freight charges
GFC-E/G M0, hot-dip galvanized	B	1487,-	175,-	1662,-
Fixture with Safety Chain to Secure Gas Cylinders, hot-dip galvanized	B	38,-	12,-	50,-
GFC-E/G M1, hot-dip galvanized	B	2116,-	633,-	2749,-
Fixture with Safety Chain to Secure Gas Cylinders, hot-dip galvanized	B	38,-	12,-	50,-
Rack for Gas Cylinders Type GFG, galvanized	B	197,-	88,-	285,-
Access Ramp AR, galvanized	B	157,-	22,-	179,-
Central Dividing Wall, galvanized	B	84,-	22,-	106,-
GFC-E/G M2, hot-dip galvanized	B	2319,-	633,-	2952,-
Fixture with Safety Chain to Secure Gas Cylinders, hot-dip galvanized	B	38,-	12,-	50,-
Rack for Gas Cylinders Type GFG, galvanized	B	197,-	88,-	285,-
Access Ramp AR, galvanized	B	157,-	22,-	179,-
Central Dividing Wall, galvanized	B	124,-	32,-	156,-
GFC-E/G M3, hot-dip galvanized	B	2580,-	633,-	3213,-

Prices in EUR, valid EXW DE-46354 Südlohn, DE-38820 Halberstadt, unpacked
 Freight charges valid CPT Czech Republic, islands and oversea territories excluded

Price List 0424 en-CZ

Environment / Storage



Gas Cylinder Containers Type GFC-E/G	Category	Price	Freight charges	Price including freight charges
Fixture with Safety Chain to Secure Gas Cylinders, hot-dip galvanized	B	38,-	12,-	50,-
Rack for Gas Cylinders Type GFG, galvanized	B	197,-	88,-	285,-
Access Ramp AR, galvanized	B	157,-	22,-	179,-
Central Dividing Wall, galvanized	B	124,-	32,-	156,-
GFC-E/G M4, hot-dip galvanized	B	2797,-	681,-	3478,-
Fixture with Safety Chain to Secure Gas Cylinders, hot-dip galvanized	B	38,-	12,-	50,-
Rack for Gas Cylinders Type GFG, galvanized	B	197,-	88,-	285,-
Access Ramp AR, galvanized	B	157,-	22,-	179,-
Central Dividing Wall, galvanized	B	124,-	32,-	156,-
GFC-E/G M5, hot-dip galvanized	B	3465,-	681,-	4146,-
Fixture with Safety Chain to Secure Gas Cylinders, hot-dip galvanized	B	38,-	12,-	50,-
Rack for Gas Cylinders Type GFG, galvanized	B	197,-	88,-	285,-
Access Ramp AR, galvanized	B	157,-	22,-	179,-
Central Dividing Wall, galvanized	B	184,-	40,-	224,-

Gas Cylinder Containers Type GFC-E/T	Category	Price	Freight charges	Price including freight charges
GFC-E/T M0, hot-dip galvanized	B	1507,-	175,-	1682,-
Fixture with Safety Chain to Secure Gas Cylinders, hot-dip galvanized	B	38,-	12,-	50,-
GFC-E/T M1, hot-dip galvanized	B	2153,-	633,-	2786,-
Fixture with Safety Chain to Secure Gas Cylinders, hot-dip galvanized	B	38,-	12,-	50,-
Rack for Gas Cylinders Type GFG, galvanized	B	197,-	88,-	285,-
Access Ramp AR, galvanized	B	157,-	22,-	179,-
Central Dividing Wall, galvanized	B	84,-	22,-	106,-
GFC-E/T M2, hot-dip galvanized	B	2365,-	633,-	2998,-
Fixture with Safety Chain to Secure Gas Cylinders, hot-dip galvanized	B	38,-	12,-	50,-
Rack for Gas Cylinders Type GFG, galvanized	B	197,-	88,-	285,-
Access Ramp AR, galvanized	B	157,-	22,-	179,-
Central Dividing Wall, galvanized	B	124,-	32,-	156,-
GFC-E/T M3, hot-dip galvanized	B	2644,-	633,-	3277,-
Fixture with Safety Chain to Secure Gas Cylinders, hot-dip galvanized	B	38,-	12,-	50,-
Rack for Gas Cylinders Type GFG, galvanized	B	197,-	88,-	285,-
Access Ramp AR, galvanized	B	157,-	22,-	179,-
Central Dividing Wall, galvanized	B	124,-	32,-	156,-
GFC-E/T M4, hot-dip galvanized	B	2859,-	681,-	3540,-
Fixture with Safety Chain to Secure Gas Cylinders, hot-dip galvanized	B	38,-	12,-	50,-
Rack for Gas Cylinders Type GFG, galvanized	B	197,-	88,-	285,-
Access Ramp AR, galvanized	B	157,-	22,-	179,-
Central Dividing Wall, galvanized	B	124,-	32,-	156,-
GFC-E/T M5, hot-dip galvanized	B	3553,-	681,-	4234,-
Fixture with Safety Chain to Secure Gas Cylinders, hot-dip galvanized	B	38,-	12,-	50,-
Rack for Gas Cylinders Type GFG, galvanized	B	197,-	88,-	285,-
Access Ramp AR, galvanized	B	157,-	22,-	179,-
Central Dividing Wall, galvanized	B	184,-	40,-	224,-

Prices in EUR, valid EXW DE-46354 Südlohn, DE-38820 Halberstadt, unpacked
Freight charges valid CPT Czech Republic, islands and oversea territories excluded

Price List 0424 en-CZ

Environment / Storage



Gas Cylinder Containers Type GFC-M/D	Category	Price	Freight charges	Price including freight charges
GFC-M0/D, hot-dip galvanized	B	993,-	122,-	1115,-
Grid Floor for Gas Cylinder Container GFC-M0, hot-dip galvanized	B	146,-	27,-	173,-
Fixture with Safety Chain to Secure Gas Cylinders, hot-dip galvanized	B	38,-	12,-	50,-
GFC-M1/D, hot-dip galvanized	B	1204,-	172,-	1376,-
Grid Floor for Gas Cylinder Container GFC-M1, hot-dip galvanized	B	264,-	88,-	352,-
Fixture with Safety Chain to Secure Gas Cylinders, hot-dip galvanized	B	38,-	12,-	50,-
Rack for Gas Cylinders Type GFG, galvanized	B	197,-	88,-	285,-
GFC-M2/D, hot-dip galvanized	B	1282,-	172,-	1454,-
Grid Floor for Gas Cylinder Container GFC-M2, hot-dip galvanized	B	362,-	88,-	450,-
Fixture with Safety Chain to Secure Gas Cylinders, hot-dip galvanized	B	38,-	12,-	50,-
Rack for Gas Cylinders Type GFG, galvanized	B	197,-	88,-	285,-
GFC-M3/D, hot-dip galvanized	B	1447,-	172,-	1619,-
Grid Floor for Gas Cylinder Container GFC-M3, hot-dip galvanized	B	492,-	122,-	614,-
Fixture with Safety Chain to Secure Gas Cylinders, hot-dip galvanized	B	38,-	12,-	50,-
Rack for Gas Cylinders Type GFG, galvanized	B	197,-	88,-	285,-
GFC-M4/D, hot-dip galvanized	B	1546,-	172,-	1718,-
Grid Floor for Gas Cylinder Container GFC-M4, hot-dip galvanized	B	605,-	122,-	727,-
Fixture with Safety Chain to Secure Gas Cylinders, hot-dip galvanized	B	38,-	12,-	50,-
Rack for Gas Cylinders Type GFG, galvanized	B	197,-	88,-	285,-
GFC-M5/D, hot-dip galvanized	B	1838,-	217,-	2055,-
Grid Floor for Gas Cylinder Container GFC-M5, hot-dip galvanized	B	739,-	122,-	861,-
Fixture with Safety Chain to Secure Gas Cylinders, hot-dip galvanized	B	38,-	12,-	50,-
Rack for Gas Cylinders Type GFG, galvanized	B	197,-	88,-	285,-
Gas Cylinder Containers Type GFC-M	Category	Price	Freight charges	Price including freight charges
GFC-M1, hot-dip galvanized	B	1063,-	122,-	1185,-
Grid Floor for Gas Cylinder Container GFC-M1, hot-dip galvanized	B	264,-	88,-	352,-
Fixture with Safety Chain to Secure Gas Cylinders, hot-dip galvanized	B	38,-	12,-	50,-
Rack for Gas Cylinders Type GFG, galvanized	B	197,-	88,-	285,-
GFC-M2, hot-dip galvanized	B	1129,-	172,-	1301,-
Grid Floor for Gas Cylinder Container GFC-M2, hot-dip galvanized	B	362,-	88,-	450,-
Fixture with Safety Chain to Secure Gas Cylinders, hot-dip galvanized	B	38,-	12,-	50,-
Rack for Gas Cylinders Type GFG, galvanized	B	197,-	88,-	285,-
GFC-M3, hot-dip galvanized	B	1267,-	172,-	1439,-
Grid Floor for Gas Cylinder Container GFC-M3, hot-dip galvanized	B	492,-	122,-	614,-
Fixture with Safety Chain to Secure Gas Cylinders, hot-dip galvanized	B	38,-	12,-	50,-
Rack for Gas Cylinders Type GFG, galvanized	B	197,-	88,-	285,-
GFC-M4, hot-dip galvanized	B	1333,-	172,-	1505,-
Grid Floor for Gas Cylinder Container GFC-M4, hot-dip galvanized	B	605,-	122,-	727,-
Fixture with Safety Chain to Secure Gas Cylinders, hot-dip galvanized	B	38,-	12,-	50,-
Rack for Gas Cylinders Type GFG, galvanized	B	197,-	88,-	285,-
GFC-M5, hot-dip galvanized	B	1547,-	172,-	1719,-
Grid Floor for Gas Cylinder Container GFC-M5, hot-dip galvanized	B	739,-	122,-	861,-
Fixture with Safety Chain to Secure Gas Cylinders, hot-dip galvanized	B	38,-	12,-	50,-
Rack for Gas Cylinders Type GFG, galvanized	B	197,-	88,-	285,-

Prices in EUR, valid EXW DE-46354 Südlohn, DE-38820 Halberstadt, unpacked
Freight charges valid CPT Czech Republic, islands and oversea territories excluded

Price List 0424 en-CZ

Environment / Storage



Gas Cylinder Containers Type GFC-M/D-DF	Category	Price	Freight charges	Price including freight charges
GFC-M1/D-DF, hot-dip galvanized	B	1375,-	172,-	1547,-
Grid Floor for Gas Cylinder Container GFC-M1, hot-dip galvanized	B	264,-	88,-	352,-
Fixture with Safety Chain to Secure Gas Cylinders, hot-dip galvanized	B	38,-	12,-	50,-
Rack for Gas Cylinders Type GFG, galvanized	B	197,-	88,-	285,-
GFC-M2/D-DF, hot-dip galvanized	B	1452,-	172,-	1624,-
Grid Floor for Gas Cylinder Container GFC-M2, hot-dip galvanized	B	362,-	88,-	450,-
Fixture with Safety Chain to Secure Gas Cylinders, hot-dip galvanized	B	38,-	12,-	50,-
Rack for Gas Cylinders Type GFG, galvanized	B	197,-	88,-	285,-
GFC-M3/D-DF, hot-dip galvanized	B	1618,-	172,-	1790,-
Grid Floor for Gas Cylinder Container GFC-M3, hot-dip galvanized	B	492,-	122,-	614,-
Fixture with Safety Chain to Secure Gas Cylinders, hot-dip galvanized	B	38,-	12,-	50,-
Rack for Gas Cylinders Type GFG, galvanized	B	197,-	88,-	285,-
GFC-M4/D-DF, hot-dip galvanized	B	1748,-	217,-	1965,-
Grid Floor for Gas Cylinder Container GFC-M4, hot-dip galvanized	B	605,-	122,-	727,-
Fixture with Safety Chain to Secure Gas Cylinders, hot-dip galvanized	B	38,-	12,-	50,-
Rack for Gas Cylinders Type GFG, galvanized	B	197,-	88,-	285,-
GFC-M5/D-DF, hot-dip galvanized	B	2040,-	217,-	2257,-
Grid Floor for Gas Cylinder Container GFC-M5, hot-dip galvanized	B	739,-	122,-	861,-
Fixture with Safety Chain to Secure Gas Cylinders, hot-dip galvanized	B	38,-	12,-	50,-
Rack for Gas Cylinders Type GFG, galvanized	B	197,-	88,-	285,-
Gas Cylinder Containers Type GFC-M-DF	Category	Price	Freight charges	Price including freight charges
GFC-M1-DF, hot-dip galvanized	B	1232,-	122,-	1354,-
Grid Floor for Gas Cylinder Container GFC-M1, hot-dip galvanized	B	264,-	88,-	352,-
Fixture with Safety Chain to Secure Gas Cylinders, hot-dip galvanized	B	38,-	12,-	50,-
Rack for Gas Cylinders Type GFG, galvanized	B	197,-	88,-	285,-
GFC-M2-DF, hot-dip galvanized	B	1300,-	172,-	1472,-
Grid Floor for Gas Cylinder Container GFC-M2, hot-dip galvanized	B	362,-	88,-	450,-
Fixture with Safety Chain to Secure Gas Cylinders, hot-dip galvanized	B	38,-	12,-	50,-
Rack for Gas Cylinders Type GFG, galvanized	B	197,-	88,-	285,-
GFC-M3-DF, hot-dip galvanized	B	1439,-	172,-	1611,-
Grid Floor for Gas Cylinder Container GFC-M3, hot-dip galvanized	B	492,-	122,-	614,-
Fixture with Safety Chain to Secure Gas Cylinders, hot-dip galvanized	B	38,-	12,-	50,-
Rack for Gas Cylinders Type GFG, galvanized	B	197,-	88,-	285,-
GFC-M4-DF, hot-dip galvanized	B	1537,-	172,-	1709,-
Grid Floor for Gas Cylinder Container GFC-M4, hot-dip galvanized	B	605,-	122,-	727,-
Fixture with Safety Chain to Secure Gas Cylinders, hot-dip galvanized	B	38,-	12,-	50,-
Rack for Gas Cylinders Type GFG, galvanized	B	197,-	88,-	285,-
GFC-M5-DF, hot-dip galvanized	B	1750,-	217,-	1967,-
Grid Floor for Gas Cylinder Container GFC-M5, hot-dip galvanized	B	739,-	122,-	861,-
Fixture with Safety Chain to Secure Gas Cylinders, hot-dip galvanized	B	38,-	12,-	50,-
Rack for Gas Cylinders Type GFG, galvanized	B	197,-	88,-	285,-
Gas Cylinder Depot Type GFD-G	Category	Price	Freight charges	Price including freight charges
GFD-G 1, galvanized	B	414,-	122,-	536,-

Prices in EUR, valid EXW DE-46354 Südlohn, DE-38820 Halberstadt, unpacked
Freight charges valid CPT Czech Republic, islands and oversea territories excluded

Price List 0424 en-CZ

Environment / Storage



Gas Cylinder Depot Type GFD-G	Category	Price	Freight charges	Price including freight charges
GFD-G 2, galvanized	B	763,-	122,-	885,-
Gas Cylinder Depot Type GFD-L	Category	Price	Freight charges	Price including freight charges
GFD-L 1, galvanized	B	446,-	88,-	534,-
GFD-L 2, galvanized	B	850,-	122,-	972,-
Gas Cylinder Depot Type GFD-R	Category	Price	Freight charges	Price including freight charges
GFD-R 2, painted	B	747,-	88,-	835,-
GFD-R 2, hot-dip galvanized	B	771,-	88,-	859,-
GFD-R 4, painted	B	849,-	88,-	937,-
GFD-R 4, hot-dip galvanized	B	878,-	88,-	966,-
Hazardous Materials Cabinet Type GS	Category	Price	Freight charges	Price including freight charges
GS-1, painted	B	762,-	122,-	884,-
Intermediate Storage Level, galvanized	B	86,-	14,-	100,-
GS-1, hot-dip galvanized	B	820,-	122,-	942,-
Intermediate Storage Level, galvanized	B	86,-	14,-	100,-
GS-2, painted	B	1013,-	172,-	1185,-
Intermediate Storage Level, galvanized	B	86,-	14,-	100,-
GS-2, hot-dip galvanized	B	1100,-	172,-	1272,-
Intermediate Storage Level, galvanized	B	86,-	14,-	100,-
GS-3, painted	B	2070,-	217,-	2287,-
GS-3, hot-dip galvanized	B	2217,-	217,-	2434,-
GS-4, painted	B	2081,-	576,-	2657,-
GS-4, hot-dip galvanized	B	2260,-	576,-	2836,-
Gas Cylinder Wall Bracket Type GWH	Category	Price	Freight charges	Price including freight charges
GWH 140-I, hot-dip galvanized	F	25,-	32,-	57,-
GWH 140-II, hot-dip galvanized	F	38,-	32,-	70,-
GWH 140-III, hot-dip galvanized	F	57,-	32,-	89,-
GWH 230-I, hot-dip galvanized	F	27,-	32,-	59,-
GWH 230-II, hot-dip galvanized	F	41,-	32,-	73,-
GWH 230-III, hot-dip galvanized	F	62,-	32,-	94,-
GWH 320-I, hot-dip galvanized	F	28,-	32,-	60,-
GWH 320-II, hot-dip galvanized	F	46,-	32,-	78,-
GWH 320-III, hot-dip galvanized	F	69,-	32,-	101,-
Tilting Canister Stand Type KAH	Category	Price	Freight charges	Price including freight charges
KAH-5, galvanized	A	92,-	32,-	124,-
KAH-25, galvanized	A	105,-	32,-	137,-
KAH-60, galvanized	A	135,-	32,-	167,-
Spill Tray for Canisters/Small Cans Type KGW	Category	Price	Freight charges	Price including freight charges
KGW 1, galvanized	B	88,-	32,-	120,-
KGW 1 V4A, stainless steel 1.4571	B	270,-	32,-	302,-

Prices in EUR, valid EXW DE-46354 Südlohn, DE-38820 Halberstadt, unpacked
Freight charges valid CPT Czech Republic, islands and oversea territories excluded

Price List 0424 en-CZ

Environment / Storage



Spill Tray for Canisters/Small Cans Type KGW	Category	Price	Freight charges	Price including freight charges
KGW 2, galvanized	B	92,-	32,-	124,-
KGW 2 V4A, stainless steel 1.4571	B	311,-	32,-	343,-
KGW 3, galvanized	B	96,-	32,-	128,-
KGW 3 V4A, stainless steel 1.4571	B	386,-	32,-	418,-
KGW 4, galvanized	B	113,-	88,-	201,-
KGW 4 V4A, stainless steel 1.4571	B	456,-	88,-	544,-
KGW 5, galvanized	B	155,-	88,-	243,-
KGW 5 V4A, stainless steel 1.4571	B	593,-	88,-	681,-

Spill Tray for Canisters/Small Cans Type KGW/M	Category	Price	Freight charges	Price including freight charges
KGW 1/M, galvanized	B	124,-	32,-	156,-
KGW 1/M V4A, stainless steel 1.4571	B	406,-	32,-	438,-
KGW 2/M, galvanized	B	132,-	32,-	164,-
KGW 2/M V4A, stainless steel 1.4571	B	468,-	32,-	500,-
KGW 3/M, galvanized	B	151,-	32,-	183,-
KGW 3/M V4A, stainless steel 1.4571	B	589,-	32,-	621,-
KGW 4/M, galvanized	B	175,-	88,-	263,-
KGW 4/M V4A, stainless steel 1.4571	B	705,-	88,-	793,-
KGW 5/M, galvanized	B	227,-	88,-	315,-
KGW 5/M V4A, stainless steel 1.4571	B	929,-	88,-	1017,-

Spill Tray for Canisters/Small Cans on Pallets Type KGW-P	Category	Price	Freight charges	Price including freight charges
KGW-P 1, galvanized	B	94,-	32,-	126,-
KGW-P 1 V4A, stainless steel 1.4571	B	266,-	32,-	298,-
KGW-P 2, galvanized	B	142,-	32,-	174,-
KGW-P 2 V4A, stainless steel 1.4571	B	382,-	32,-	414,-
KGW-P 3, galvanized	B	178,-	88,-	266,-
KGW-P 3 V4A, stainless steel 1.4571	B	586,-	32,-	618,-
KGW-P 4, galvanized	B	169,-	32,-	201,-
KGW-P 4 V4A, stainless steel 1.4571	B	450,-	32,-	482,-

Spill Tray for Canisters/Small Cans on Pallets Type KGW-P/M	Category	Price	Freight charges	Price including freight charges
KGW-P 1/M, galvanized	B	137,-	32,-	169,-
KGW-P 1/M V4A, stainless steel 1.4571	B	385,-	32,-	417,-
KGW-P 2/M, galvanized	B	210,-	32,-	242,-
KGW-P 2/M V4A, stainless steel 1.4571	B	559,-	32,-	591,-
KGW-P 3/M, galvanized	B	256,-	88,-	344,-
KGW-P 3/M V4A, stainless steel 1.4571	B	864,-	88,-	952,-
KGW-P 4/M, galvanized	B	241,-	32,-	273,-
KGW-P 4/M V4A, stainless steel 1.4571	B	694,-	32,-	726,-

Diesel Filling Point Type KPS	Category	Price	Freight charges	Price including freight charges
KPS 1, painted	B	2865,-	on request	on request
KPS 2, painted	B	3723,-	on request	on request
KPS 3, painted	B	5248,-	on request	on request

Prices in EUR, valid EXW DE-46354 Südlohn, DE-38820 Halberstadt, unpacked
Freight charges valid CPT Czech Republic, islands and oversea territories excluded

Price List 0424 en-CZ

Environment / Storage



Polyethylene Sump Tray for Pallets Type KWP-P	Category	Price	Freight charges	Price including freight charges
KWP-P 20, made of robust polyethylene	B	46,-	32,-	78,-
Deck with Punched Holes LR-PE 20, robust polyethylene, black	B	61,-	14,-	75,-
KWP-P 30, made of robust polyethylene	B	56,-	32,-	88,-
Deck with Punched Holes LR-PE 30, robust polyethylene, black	B	63,-	14,-	77,-
KWP-P 40, made of robust polyethylene	B	62,-	32,-	94,-
Deck with Punched Holes LR-PE 40, robust polyethylene, black	B	67,-	14,-	81,-
KWP-P 60, made of robust polyethylene	B	99,-	32,-	131,-
Deck with punched holes LR-PE 60, robust polyethylene, black	B	70,-	14,-	84,-
KWP-P 100, made of robust polyethylene	B	113,-	88,-	201,-
Deck with punched holes LR-PE 100, robust polyethylene, black	B	86,-	16,-	102,-

Mobile Sump Tray with Perforated Panel Type LPW	Category	Price	Freight charges	Price including freight charges
LPW 60-1, painted	B	605,-	88,-	693,-
Tool Deposit for Sump Trays with Perforated Panel Type LPW	B	30,-	16,-	46,-
Drip Tray for Sump Trays with Perforated Panel Type LPW	B	48,-	16,-	64,-
LPW 60-1, hot-dip galvanized	B	623,-	88,-	711,-
Tool Deposit for Sump Trays with Perforated Panel Type LPW	B	30,-	16,-	46,-
Drip Tray for Sump Trays with Perforated Panel Type LPW	B	48,-	16,-	64,-
LPW 60-2, painted	B	618,-	88,-	706,-
Tool Deposit for Sump Trays with Perforated Panel Type LPW	B	30,-	16,-	46,-
Drip Tray for Sump Trays with Perforated Panel Type LPW	B	48,-	16,-	64,-
LPW 60-2, hot-dip galvanized	B	638,-	88,-	726,-
Tool Deposit for Sump Trays with Perforated Panel Type LPW	B	30,-	16,-	46,-
Drip Tray for Sump Trays with Perforated Panel Type LPW	B	48,-	16,-	64,-
LPW 60-3, painted	B	624,-	88,-	712,-
Tool Deposit for Sump Trays with Perforated Panel Type LPW	B	30,-	16,-	46,-
Drip Tray for Sump Trays with Perforated Panel Type LPW	B	48,-	16,-	64,-
LPW 60-3, hot-dip galvanized	B	644,-	88,-	732,-
Tool Deposit for Sump Trays with Perforated Panel Type LPW	B	30,-	16,-	46,-
Drip Tray for Sump Trays with Perforated Panel Type LPW	B	48,-	16,-	64,-
LPW 200-1, painted	B	794,-	122,-	916,-
Tool Deposit for Sump Trays with Perforated Panel Type LPW	B	30,-	16,-	46,-
Drip Tray for Sump Trays with Perforated Panel Type LPW	B	48,-	16,-	64,-
LPW 200-1, hot-dip galvanized	B	827,-	122,-	949,-
Tool Deposit for Sump Trays with Perforated Panel Type LPW	B	30,-	16,-	46,-
Drip Tray for Sump Trays with Perforated Panel Type LPW	B	48,-	16,-	64,-
LPW 200-2, painted	B	833,-	122,-	955,-
Tool Deposit for Sump Trays with Perforated Panel Type LPW	B	30,-	16,-	46,-
Drip Tray for Sump Trays with Perforated Panel Type LPW	B	48,-	16,-	64,-
LPW 200-2, hot-dip galvanized	B	868,-	122,-	990,-
Tool Deposit for Sump Trays with Perforated Panel Type LPW	B	30,-	16,-	46,-
Drip Tray for Sump Trays with Perforated Panel Type LPW	B	48,-	16,-	64,-
LPW 200-3, painted	B	848,-	122,-	970,-
Tool Deposit for Sump Trays with Perforated Panel Type LPW	B	30,-	16,-	46,-
Drip Tray for Sump Trays with Perforated Panel Type LPW	B	48,-	16,-	64,-
LPW 200-3, hot-dip galvanized	B	883,-	122,-	1005,-

Prices in EUR, valid EXW DE-46354 Südlohn, DE-38820 Halberstadt, unpacked
Freight charges valid CPT Czech Republic, islands and oversea territories excluded

Price List 0424 en-CZ

Environment / Storage



Mobile Sump Tray with Perforated Panel Type LPW	Category	Price	Freight charges	Price including freight charges
Tool Deposit for Sump Trays with Perforated Panel Type LPW	B	30,-	16,-	46,-
Drip Tray for Sump Trays with Perforated Panel Type LPW	B	48,-	16,-	64,-
LPW 200-4, painted	B	1019,-	122,-	1141,-
LPW 200-4, hot-dip galvanized	B	1049,-	122,-	1171,-

Modular Sump Tray Type MAW	Category	Price	Freight charges	Price including freight charges
MAW, painted	B	324,-	88,-	412,-
MAW, hot-dip galvanized	B	353,-	88,-	441,-
Element No. 1: grid grate incl. supportS, painted	B	75,-	18,-	93,-
Element No. 2: galvanized handle + castors	B	133,-	19,-	152,-
Element No. 3: runners, painted	B	99,-	15,-	114,-
Element No. 3: runners, hot-dip galvanized	B	63,-	15,-	78,-
Element No. 6: surround, galvanized	B	580,-	88,-	668,-

Spline Sump Type PW	Category	Price	Freight charges	Price including freight charges
PW 200-2, painted	B	236,-	88,-	324,-
PW 200-2, hot-dip galvanized	B	227,-	88,-	315,-
PW 200-4, painted	B	261,-	88,-	349,-
PW 200-4, hot-dip galvanized	B	252,-	88,-	340,-
PW 400-4, painted	B	337,-	88,-	425,-
PW 400-4, hot-dip galvanized	B	320,-	88,-	408,-

Spline Sump Type PWE	Category	Price	Freight charges	Price including freight charges
PWE 200-2, painted	B	209,-	88,-	297,-
PWE 200-2, hot-dip galvanized	B	200,-	88,-	288,-
PWE 200-4, painted	B	228,-	88,-	316,-
PWE 200-4, hot-dip galvanized	B	220,-	88,-	308,-
PWE 400-4, painted	B	278,-	88,-	366,-
PWE 400-4, hot-dip galvanized	B	268,-	88,-	356,-

Hazardous Materials Cabinet with Roller Shutter Door Type RSG	Category	Price	Freight charges	Price including freight charges
RSG-1, painted	B	1841,-	122,-	1963,-
Set of 4 Feet, height adjustable	B	77,-	9,-	86,-
RSG-2, painted	B	1855,-	122,-	1977,-
Set of 4 Feet, height adjustable	B	77,-	9,-	86,-
RSG-3, painted	B	1904,-	122,-	2026,-
Set of 4 Feet, height adjustable	B	77,-	9,-	86,-
RSG-4, painted	B	2037,-	172,-	2209,-
Set of 4 Feet, height adjustable	B	77,-	9,-	86,-

Shelf Sump with Polyethylene Inlay Type RW PE	Category	Price	Freight charges	Price including freight charges
RW 1800 PE, painted	B	1008,-	122,-	1130,-
RW 1800 PE, hot-dip galvanized	B	1062,-	122,-	1184,-
RW 2200-1 PE, painted	B	1052,-	122,-	1174,-
RW 2200-1 PE, hot-dip galvanized	B	1108,-	122,-	1230,-

Prices in EUR, valid EXW DE-46354 Südlohn, DE-38820 Halberstadt, unpacked
 Freight charges valid CPT Czech Republic, islands and oversea territories excluded

Price List 0424 en-CZ

Environment / Storage



Shelf Sump with Polyethylene Inlay Type RW PE	Category	Price	Freight charges	Price including freight charges
RW 2200-2 PE, painted	B	1232,-	122,-	1354,-
RW 2200-2 PE, hot-dip galvanized	B	1295,-	122,-	1417,-
RW 2700-1 PE, painted	B	1070,-	172,-	1242,-
RW 2700-1 PE, hot-dip galvanized	B	1151,-	172,-	1323,-
RW 2700-2 PE, painted	B	1223,-	172,-	1395,-
RW 2700-2 PE, hot-dip galvanized	B	1318,-	172,-	1490,-
RW 2700-3 PE, painted	B	1416,-	172,-	1588,-
RW 2700-3 PE, hot-dip galvanized	B	1538,-	172,-	1710,-
RW 3300-1 PE, painted	B	1369,-	172,-	1541,-
RW 3300-1 PE, hot-dip galvanized	B	1458,-	172,-	1630,-
RW 3300-2 PE, painted	B	1483,-	172,-	1655,-
RW 3300-2 PE, hot-dip galvanized	B	1581,-	172,-	1753,-
RW 3300-3 PE, painted	B	1679,-	222,-	1901,-
RW 3300-3 PE, hot-dip galvanized	B	1787,-	222,-	2009,-

Shelf Sump Type RW	Category	Price	Freight charges	Price including freight charges
RW 1800, painted	B	489,-	88,-	577,-
RW 1800, hot-dip galvanized	B	542,-	88,-	630,-
RW 2200-1, painted	B	501,-	88,-	589,-
RW 2200-1, hot-dip galvanized	B	557,-	88,-	645,-
RW 2200-2, painted	B	514,-	122,-	636,-
RW 2200-2, hot-dip galvanized	B	576,-	122,-	698,-
RW 2700-1, painted	B	510,-	172,-	682,-
RW 2700-1, hot-dip galvanized	B	590,-	172,-	762,-
RW 2700-2, painted	B	586,-	172,-	758,-
RW 2700-2, hot-dip galvanized	B	682,-	172,-	854,-
RW 2700-3, painted	B	634,-	172,-	806,-
RW 2700-3, hot-dip galvanized	B	754,-	172,-	926,-
RW 3300-1, painted	B	657,-	172,-	829,-
RW 3300-1, hot-dip galvanized	B	747,-	172,-	919,-
RW 3300-2, painted	B	722,-	172,-	894,-
RW 3300-2, hot-dip galvanized	B	821,-	172,-	993,-
RW 3300-3, painted	B	805,-	172,-	977,-
RW 3300-3, hot-dip galvanized	B	913,-	172,-	1085,-

Shelf Sump with Polyethylene Inlay Type RW-GR PE	Category	Price	Freight charges	Price including freight charges
RW-GR 1800 PE, painted	B	1138,-	122,-	1260,-
RW-GR 1800 PE, hot-dip galvanized	B	1189,-	122,-	1311,-
RW-GR 2200-1 PE, painted	B	1212,-	122,-	1334,-
RW-GR 2200-1 PE, hot-dip galvanized	B	1268,-	122,-	1390,-
RW-GR 2200-2 PE, painted	B	1394,-	172,-	1566,-
RW-GR 2200-2 PE, hot-dip galvanized	B	1454,-	172,-	1626,-
RW-GR 2700-1 PE, painted	B	1268,-	222,-	1490,-
RW-GR 2700-1 PE, hot-dip galvanized	B	1347,-	222,-	1569,-
RW-GR 2700-2 PE, painted	B	1419,-	222,-	1641,-

Prices in EUR, valid EXW DE-46354 Südlohn, DE-38820 Halberstadt, unpacked
Freight charges valid CPT Czech Republic, islands and oversea territories excluded

Price List 0424 en-CZ

Environment / Storage



Shelf Sump with Polyethylene Inlay Type RW-GR PE	Category	Price	Freight charges	Price including freight charges
RW-GR 2700-2 PE, hot-dip galvanized	B	1516,-	222,-	1738,-
RW-GR 2700-3 PE, painted	B	1614,-	222,-	1836,-
RW-GR 2700-3 PE, hot-dip galvanized	B	1715,-	222,-	1937,-
RW-GR 3300-1 PE, painted	B	1729,-	222,-	1951,-
RW-GR 3300-1 PE, hot-dip galvanized	B	1818,-	222,-	2040,-
RW-GR 3300-2 PE, painted	B	1841,-	222,-	2063,-
RW-GR 3300-2 PE, hot-dip galvanized	B	1949,-	222,-	2171,-
RW-GR 3300-3 PE, painted	B	2038,-	267,-	2305,-
RW-GR 3300-3 PE, hot-dip galvanized	B	2146,-	267,-	2413,-

Shelf Sump Type RW-GR	Category	Price	Freight charges	Price including freight charges
RW-GR 1800, painted	B	619,-	122,-	741,-
RW-GR 1800, hot-dip galvanized	B	672,-	122,-	794,-
RW-GR 2200-1, painted	B	662,-	122,-	784,-
RW-GR 2200-1, hot-dip galvanized	B	719,-	122,-	841,-
RW-GR 2200-2, painted	B	676,-	172,-	848,-
RW-GR 2200-2, hot-dip galvanized	B	735,-	172,-	907,-
RW-GR 2700-1, painted	B	707,-	172,-	879,-
RW-GR 2700-1, hot-dip galvanized	B	787,-	222,-	1009,-
RW-GR 2700-2, painted	B	783,-	222,-	1005,-
RW-GR 2700-2, hot-dip galvanized	B	880,-	222,-	1102,-
RW-GR 2700-3, painted	B	831,-	222,-	1053,-
RW-GR 2700-3, hot-dip galvanized	B	933,-	222,-	1155,-
RW-GR 3300-1, painted	B	1016,-	222,-	1238,-
RW-GR 3300-1, hot-dip galvanized	B	1107,-	222,-	1329,-
RW-GR 3300-2, painted	B	1081,-	222,-	1303,-
RW-GR 3300-2, hot-dip galvanized	B	1188,-	222,-	1410,-
RW-GR 3300-3, painted	B	1165,-	222,-	1387,-
RW-GR 3300-3, hot-dip galvanized	B	1272,-	222,-	1494,-
RW-GR 3600-3, painted	B	1285,-	222,-	1507,-
RW-GR 3600-3, hot-dip galvanized	B	1432,-	222,-	1654,-

Safety Cabinet Type SIW	Category	Price	Freight charges	Price including freight charges
SIW 1005	B	575,-	88,-	663,-
SIW 2005	B	725,-	122,-	847,-

Diesel Filling Point Type TAW	Category	Price	Freight charges	Price including freight charges
TAW 1, painted	B	2365,-	on request	on request
TAW 2, painted	B	3086,-	on request	on request
TAW 3, painted	B	4447,-	on request	on request

Stainless Steel Sump Tray Type VAW	Category	Price	Freight charges	Price including freight charges
VAW-1, stainless steel 1.4571	B	956,-	88,-	1044,-
Grid, stainless steel 1.4571	B	477,-	14,-	491,-
Grid, hot-dip galvanized	B	68,-	14,-	82,-

Prices in EUR, valid EXW DE-46354 Südlohn, DE-38820 Halberstadt, unpacked
Freight charges valid CPT Czech Republic, islands and oversea territories excluded

Price List 0424 en-CZ

Environment / Storage



Stainless Steel Sump Tray Type VAW	Category	Price	Freight charges	Price including freight charges
VAW-2, stainless steel 1.4571	B	1042,-	88,-	1130,-
Grid, stainless steel 1.4571	B	706,-	16,-	722,-
Grid, hot-dip galvanized	B	91,-	38,-	129,-
VAW-4/A, stainless steel 1.4571	B	1194,-	88,-	1282,-
Grid, stainless steel 1.4571	B	1025,-	22,-	1047,-
Grid, hot-dip galvanized	B	119,-	22,-	141,-
VAW-4/B, stainless steel 1.4571	B	1459,-	88,-	1547,-
Grid, stainless steel 1.4571	B	1411,-	27,-	1438,-
Grid, hot-dip galvanized	B	163,-	27,-	190,-
VAW 1000, stainless steel 1.4571	B	2633,-	122,-	2755,-
Grid, stainless steel 1.4571	B	1143,-	28,-	1171,-
Grid, hot-dip galvanized	B	138,-	28,-	166,-
VAW 1000-2, stainless steel 1.4571	B	3216,-	172,-	3388,-
Grid, stainless steel 1.4571	B	2070,-	88,-	2158,-
Grid, hot-dip galvanized	B	224,-	88,-	312,-

Heating Chamber Type WK	Category	Price	Freight charges	Price including freight charges
WK 29-2 E65, painted	C	29650,-	on request	on request
WK 29-2 E85, painted	C	29815,-	on request	on request
WK 57-2 E65, painted	C	41623,-	on request	on request
WK 57-2 E85, painted	C	44000,-	on request	on request

Sump Tray Type WM	Category	Price	Freight charges	Price including freight charges
WM-2/200, hot-dip galvanized	B	280,-	88,-	368,-
Drum Support FA 60-1, hot-dip galvanized	B	105,-	15,-	120,-
Drum Support FA 60-2, hot-dip galvanized	B	114,-	18,-	132,-
Drum Support FA 60-3, hot-dip galvanized	B	133,-	21,-	154,-
Drum Support FA 200-1, hot-dip galvanized	B	114,-	15,-	129,-
Can Shelf Type GR-A, galvanized	B	133,-	32,-	165,-
Can Shelf Type GR-B, galvanized	B	133,-	32,-	165,-
Can Shelf Type GR-C, galvanized	B	133,-	32,-	165,-
WM-4/200, hot-dip galvanized	B	318,-	88,-	406,-
Drum Support FA 60-1, hot-dip galvanized	B	105,-	15,-	120,-
Drum Support FA 60-2, hot-dip galvanized	B	114,-	18,-	132,-
Drum Support FA 60-3, hot-dip galvanized	B	133,-	21,-	154,-
Drum Support FA 200-1, hot-dip galvanized	B	114,-	15,-	129,-
Drum Support FA 200-2, hot-dip galvanized	B	133,-	22,-	155,-
Can Shelf Type GR-A, galvanized	B	133,-	32,-	165,-
Can Shelf Type GR-B, galvanized	B	133,-	32,-	165,-
Can Shelf Type GR-C, galvanized	B	133,-	32,-	165,-
WM-4/400, hot-dip galvanized	B	382,-	122,-	504,-

Sump Tray Type WO	Category	Price	Freight charges	Price including freight charges
WO-2/200, hot-dip galvanized	B	213,-	88,-	301,-
WO-4/200, hot-dip galvanized	B	231,-	88,-	319,-

Prices in EUR, valid EXW DE-46354 Südlohn, DE-38820 Halberstadt, unpacked
 Freight charges valid CPT Czech Republic, islands and oversea territories excluded

Price List 0424 en-CZ

Environment / Storage



Sump Tray Type WO	Category	Price	Freight charges	Price including freight charges
WO-4/400, hot-dip galvanized	B	298,-	88,-	386,-
Polyethylene Sump Pallet Type WP	Category	Price	Freight charges	Price including freight charges
WP 1/11, made of robust polyethylene	B	1052,-	88,-	1140,-
WP 2/11, made of robust polyethylene	B	1330,-	88,-	1418,-
Dispensing Tray VB 2, robust polyethylene, blue	B	152,-	32,-	184,-
Polyethylene Sump Pallet Type WPA-PE	Category	Price	Freight charges	Price including freight charges
WPA-PE 2/2, made of robust polyethylene	B	313,-	88,-	401,-
WPA-PE 4/2, made of robust polyethylene	B	494,-	88,-	582,-
Polyethylene Sump Pallet Type WP-PE	Category	Price	Freight charges	Price including freight charges
WP-PE 1/11, made of robust polyethylene	B	1139,-	88,-	1227,-
Dispensing Tray VB 1, robust polyethylene, blue	B	163,-	32,-	195,-
WP-PE 2/11, made of robust polyethylene	B	1507,-	172,-	1679,-
Dispensing Tray VB 2, robust polyethylene, blue	B	152,-	32,-	184,-
WP-PE 2/2, made of robust polyethylene	B	290,-	88,-	378,-
WP-PE 4/2, made of robust polyethylene	B	453,-	88,-	541,-
WP-PE 4/4, made of robust polyethylene	B	470,-	88,-	558,-
WP-PE 8/11, made of robust polyethylene	B	1507,-	172,-	1679,-
Mobile Polyethylene Sump Tray Type WPT	Category	Price	Freight charges	Price including freight charges
WPT 230, made of robust polyethylene	B	519,-	88,-	607,-

Prices in EUR, valid EXW DE-46354 Südlohn, DE-38820 Halberstadt, unpacked
Freight charges valid CPT Czech Republic, islands and oversea territories excluded

Price List 0424 en-CZ

Hazardous Materials Containers

Fluorescent Tube Box Type AL-D	Category	Price	Freight charges	Price including freight charges
AL-D 150, aluminium	C	500,-	88,-	588,-
AL-D 200, aluminium	C	551,-	88,-	639,-
Collecting Container Type ASB	Category	Price	Freight charges	Price including freight charges
ASB 250, hot-dip galvanized	C	1969,-	172,-	2141,-
ASB 450-I, hot-dip galvanized	C	2082,-	172,-	2254,-
Special Waste Container Type ASK	Category	Price	Freight charges	Price including freight charges
ASK 540-4, hot-dip galvanized	C	on request	on request	on request
Duo-Container Type DC	Category	Price	Freight charges	Price including freight charges
DC 450, hot-dip galvanized	C	2267,-	on request	on request
Stainless steel strainer	D	113,-	9,-	122,-
Wing nut spanner for M12, hot-dip galvanized	F	33,-	15,-	48,-
DC 1000, hot-dip galvanized	C	2408,-	on request	on request
Stainless steel strainer	D	113,-	9,-	122,-
Wing nut spanner for M12, hot-dip galvanized	F	33,-	15,-	48,-
Lithium-Ion Storage Container Type LIL	Category	Price	Freight charges	Price including freight charges
LIL 30, hot-dip galvanized	B	1871,-	88,-	1959,-
LIL 90, hot-dip galvanized	B	2720,-	122,-	2842,-
Castor Set, polyamide, Load capacity 1050 kg / castor set	A	150,-	15,-	165,-
LIL 220, hot-dip galvanized	B	4699,-	172,-	4871,-
Castor Set, polyamide, Load capacity 1050 kg / castor set	A	150,-	15,-	165,-
LIL 280, hot-dip galvanized	B	5685,-	172,-	5857,-
Castor Set, polyamide, Load capacity 1050 kg / castor set	A	150,-	15,-	165,-
MobiCont Type M 800	Category	Price	Freight charges	Price including freight charges
M 800, painted	C	1342,-	172,-	1514,-
Level Indicator	C	212,-	9,-	221,-
Funnel for filling, PP	D	65,-	9,-	74,-
Filling/Extraction lid	C	65,-	9,-	74,-
Lid, galvanized, without a lock	C	188,-	15,-	203,-
Lid, galvanized, with square lock	C	233,-	18,-	251,-
Lid, galvanized, with cylinder lock	C	233,-	18,-	251,-
Castor Set, polyamide, Load capacity 1350 kg / castor set	A	185,-	15,-	200,-
Hand Pump K 10 C, connects to drum thread, suitable for fuels and heating fuel	C	91,-	14,-	105,-
Hose Kit (1.5 m) for Hand Pump Type K 10 C, suitable for diesel and fuel	C	65,-	14,-	79,-
Hose Kit (3 m) for Hand Pump Type K 10 C, suitable for diesel and fuel	C	92,-	15,-	107,-
Hose Kit (4 m) for Hand Pump Type K 10 C, suitable for diesel and fuel	C	105,-	15,-	120,-
Electric Pump TecPump 400 DC 12V	C	492,-	15,-	507,-

Prices in EUR, valid EXW DE-46354 Südlohn, DE-38820 Halberstadt, unpacked
Freight charges valid CPT Czech Republic, islands and oversea territories excluded

Price List 0424 en-CZ

Hazardous Materials Containers



MobiCont Type M 800	Category	Price	Freight charges	Price including freight charges
Electric Pump TecPump 400 DC 24V	C	492,-	15,-	507,-
Electric Pump TecPump 600 AC 230V	C	492,-	15,-	507,-
M 800, hot-dip galvanized	C	1432,-	172,-	1604,-
Level Indicator	C	212,-	9,-	221,-
Funnel for filling, PP	D	65,-	9,-	74,-
Filling/Extraction lid	C	65,-	9,-	74,-
Lid, galvanized, without a lock	C	188,-	15,-	203,-
Lid, galvanized, with square lock	C	233,-	18,-	251,-
Lid, galvanized, with cylinder lock	C	233,-	18,-	251,-
Castor Set, polyamide, Load capacity 1350 kg / castor set	A	185,-	15,-	200,-
Hand Pump K 10 C, connects to drum thread, suitable for fuels and heating fuel	C	91,-	14,-	105,-
Hose Kit (1.5 m) for Hand Pump Type K 10 C, suitable for diesel and fuel	C	65,-	14,-	79,-
Hose Kit (3 m) for Hand Pump Type K 10 C, suitable for diesel and fuel	C	92,-	15,-	107,-
Hose Kit (4 m) for Hand Pump Type K 10 C, suitable for diesel and fuel	C	105,-	15,-	120,-
Electric Pump TecPump 400 DC 12V	C	492,-	15,-	507,-
Electric Pump TecPump 400 DC 24V	C	492,-	15,-	507,-
Electric Pump TecPump 600 AC 230V	C	492,-	15,-	507,-

MobiCont Type MD	Category	Price	Freight charges	Price including freight charges
MD 800, painted	C	1868,-	172,-	2040,-
Level Indicator	C	212,-	9,-	221,-
Hand Pump K 10 C, connects to drum thread, suitable for fuels and heating fuel	C	91,-	14,-	105,-
Hose Kit (1.5 m) for Hand Pump Type K 10 C, suitable for diesel and fuel	C	65,-	14,-	79,-
Hose Kit (3 m) for Hand Pump Type K 10 C, suitable for diesel and fuel	C	92,-	15,-	107,-
Hose Kit (4 m) for Hand Pump Type K 10 C, suitable for diesel and fuel	C	105,-	15,-	120,-
Electric Pump TecPump 400 DC 12V	C	492,-	15,-	507,-
Electric Pump TecPump 400 DC 24V	C	492,-	15,-	507,-
Electric Pump TecPump 600 AC 230V	C	492,-	15,-	507,-
MD 800, hot-dip galvanized	C	1956,-	172,-	2128,-
Level Indicator	C	212,-	9,-	221,-
Hand Pump K 10 C, connects to drum thread, suitable for fuels and heating fuel	C	91,-	14,-	105,-
Hose Kit (1.5 m) for Hand Pump Type K 10 C, suitable for diesel and fuel	C	65,-	14,-	79,-
Hose Kit (3 m) for Hand Pump Type K 10 C, suitable for diesel and fuel	C	92,-	15,-	107,-
Hose Kit (4 m) for Hand Pump Type K 10 C, suitable for diesel and fuel	C	105,-	15,-	120,-
Electric Pump TecPump 400 DC 12V	C	492,-	15,-	507,-
Electric Pump TecPump 400 DC 24V	C	492,-	15,-	507,-
Electric Pump TecPump 600 AC 230V	C	492,-	15,-	507,-

MobiCont Type MO	Category	Price	Freight charges	Price including freight charges
MO 800, painted	C	on request	on request	on request
Level Indicator	C	212,-	9,-	221,-
MO 800, hot-dip galvanized	C	on request	on request	on request
Level Indicator	C	212,-	9,-	221,-

Prices in EUR, valid EXW DE-46354 Südlohn, DE-38820 Halberstadt, unpacked
 Freight charges valid CPT Czech Republic, islands and oversea territories excluded

Price List 0424 en-CZ

Hazardous Materials Containers



Fuel Container Type MT	Category	Price	Freight charges	Price including freight charges
MT 450, hot-dip galvanized	C	2147,-	172,-	2319,-
Level Indicator	C	212,-	9,-	221,-
Hand Pump K 10 C, connects to drum thread, suitable for fuels and heating fuel	C	91,-	14,-	105,-
Digital Flow Counter FMT 3 with screwed joints	C	309,-	9,-	318,-
Electric Pump TecPump 400 DC 12V	C	492,-	12,-	504,-
Electric Pump TecPump 400 DC 24V	C	492,-	12,-	504,-
Electric Pump TecPump 600 AC 230V	C	492,-	12,-	504,-
Counter Z 400, Retrofit Kit for Electric Pumps TecPump 400 DC 12V, 400 DC 24V and 600 AC 230V	C	153,-	9,-	162,-
MT 600, hot-dip galvanized	C	2554,-	172,-	2726,-
Level Indicator	C	212,-	9,-	221,-
Hand Pump K 10 C, connects to drum thread, suitable for fuels and heating fuel	C	91,-	14,-	105,-
Digital Flow Counter FMT 3 with screwed joints	C	309,-	9,-	318,-
Electric Pump TecPump 400 DC 12V	C	492,-	12,-	504,-
Electric Pump TecPump 400 DC 24V	C	492,-	12,-	504,-
Electric Pump TecPump 600 AC 230V	C	492,-	12,-	504,-
Counter Z 400, Retrofit Kit for Electric Pumps TecPump 400 DC 12V, 400 DC 24V and 600 AC 230V	C	153,-	9,-	162,-
MT 1000, hot-dip galvanized	C	2761,-	217,-	2978,-
Level Indicator	C	212,-	9,-	221,-
Hand Pump K 10 C, connects to drum thread, suitable for fuels and heating fuel	C	91,-	14,-	105,-
Digital Flow Counter FMT 3 with screwed joints	C	309,-	9,-	318,-
Electric Pump TecPump 400 DC 12V	C	492,-	12,-	504,-
Electric Pump TecPump 400 DC 24V	C	492,-	12,-	504,-
Electric Pump TecPump 600 AC 230V	C	492,-	12,-	504,-
Counter Z 400, Retrofit Kit for Electric Pumps TecPump 400 DC 12V, 400 DC 24V and 600 AC 230V	C	153,-	9,-	162,-
MobiCont Type MW	Category	Price	Freight charges	Price including freight charges
MW 800, painted	C	1722,-	172,-	1894,-
Level Indicator	C	212,-	9,-	221,-
Filling coupling	C	51,-	8,-	59,-
Tank heating, 220 W	C	371,-	12,-	383,-
Tank fitting	B	64,-	9,-	73,-
Anti-siphon valve	D	68,-	8,-	76,-
Aeration/Vent valve	C	26,-	8,-	34,-
MW 800, hot-dip galvanized	C	1813,-	172,-	1985,-
Level Indicator	C	212,-	9,-	221,-
Filling coupling	C	51,-	8,-	59,-
Tank heating, 220 W	C	371,-	12,-	383,-
Tank fitting	B	64,-	9,-	73,-
Anti-siphon valve	D	68,-	8,-	76,-
Aeration/Vent valve	C	26,-	8,-	34,-
Special Waste Container Type SAF	Category	Price	Freight charges	Price including freight charges
SAF 450, hot-dip galvanized	C	on request	on request	on request
SAF 600, hot-dip galvanized	C	on request	on request	on request
SAF 1000, hot-dip galvanized	C	on request	on request	on request

Prices in EUR, valid EXW DE-46354 Südlohn, DE-38820 Halberstadt, unpacked
Freight charges valid CPT Czech Republic, islands and oversea territories excluded

Price List 0424 en-CZ

Hazardous Materials Containers



Large Salvage Packaging Type SAG	Category	Price	Freight charges	Price including freight charges
SAG 800, hot-dip galvanized	C	1102,-	172,-	1274,-
SAG 1500, hot-dip galvanized	C	2078,-	on request	on request
Polyethylene sacks, 25 pieces on roll	C	180,-	39,-	219,-
SAG 2100, hot-dip galvanized	C	2180,-	on request	on request
Polyethylene sacks, 25 pieces on roll	C	180,-	39,-	219,-
SAG 2700, hot-dip galvanized	C	2252,-	on request	on request
Polyethylene sacks, 25 pieces on roll	C	180,-	39,-	219,-
Special Waste Container Type SAP	Category	Price	Freight charges	Price including freight charges
SAP 450, hot-dip galvanized	C	on request	on request	on request
Polyethylene sacks, 50 pieces on roll - 0,085 mm	C	134,-	59,-	193,-
SAP 600, hot-dip galvanized	C	on request	on request	on request
Polyethylene sacks, 50 pieces on roll - 0,085 mm	C	134,-	59,-	193,-
SAP 800, hot-dip galvanized	C	on request	on request	on request
Polyethylene sacks, 50 pieces on roll - 0,085 mm	C	134,-	59,-	193,-
Special Waste Container Type SAP-1	Category	Price	Freight charges	Price including freight charges
SAP 450-1, hot-dip galvanized	C	on request	on request	on request
Polyethylene sacks, 50 pieces on roll - 0,085 mm	C	134,-	59,-	193,-
SAP 600-1, hot-dip galvanized	C	on request	on request	on request
Polyethylene sacks, 50 pieces on roll - 0,085 mm	C	134,-	59,-	193,-
SAP 800-1, hot-dip galvanized	C	on request	on request	on request
Polyethylene sacks, 50 pieces on roll - 0,085 mm	C	134,-	59,-	193,-
SAP 800-3, hot-dip galvanized	C	on request	on request	on request
Polyethylene sacks, 50 pieces on roll - 0,085 mm	C	134,-	59,-	193,-
Used Battery Container Type SAP 600 K	Category	Price	Freight charges	Price including freight charges
SAP 600 K, hot-dip galvanized	C	on request	on request	on request
Used Battery Container Type SAP 601 K	Category	Price	Freight charges	Price including freight charges
SAP 601 K, hot-dip galvanized	C	on request	on request	on request
Special Waste Container Type SAS	Category	Price	Freight charges	Price including freight charges
SAS 800, hot-dip galvanized	C	on request	on request	on request
Hazardous Materials Container Type SF	Category	Price	Freight charges	Price including freight charges
SF 240, hot-dip galvanized	C	on request	on request	on request
Fluorescent Tube Box Type SL	Category	Price	Freight charges	Price including freight charges
SL 150, painted	C	664,-	122,-	786,-
SL 150, hot-dip galvanized	C	794,-	122,-	916,-
SL 200, painted	C	740,-	122,-	862,-
SL 200, hot-dip galvanized	C	871,-	172,-	1043,-

Prices in EUR, valid EXW DE-46354 Südlohn, DE-38820 Halberstadt, unpacked
Freight charges valid CPT Czech Republic, islands and oversea territories excluded

Price List 0424 en-CZ

Hazardous Materials Containers



Fluorescent Tube Box Type SL-D	Category	Price	Freight charges	Price including freight charges
SL-D 150, painted	C	731,-	122,-	853,-
Removable Tray, galvanized	C	84,-	10,-	94,-
SL-D 150, hot-dip galvanized	C	850,-	122,-	972,-
Removable Tray, galvanized	C	84,-	10,-	94,-
SL-D 200, painted	C	808,-	122,-	930,-
Removable Tray, galvanized	C	84,-	10,-	94,-
SL-D 200, hot-dip galvanized	C	940,-	122,-	1062,-
Removable Tray, galvanized	C	84,-	10,-	94,-

Fluorescent Tube Box Type SL-N	Category	Price	Freight charges	Price including freight charges
SL-N 220, painted	C	831,-	122,-	953,-
SL-N 220, hot-dip galvanized	C	969,-	122,-	1091,-

Special Waste Container Type SP	Category	Price	Freight charges	Price including freight charges
SP 100, hot-dip galvanized	C	on request	on request	on request
SP 240, hot-dip galvanized	C	on request	on request	on request

Transport Box for Aerosol Cans Type STB	Category	Price	Freight charges	Price including freight charges
STB 1000, hot-dip galvanized	C	on request	on request	on request
Polyethylene sacks, 50 pieces on roll	C	185,-	59,-	244,-
Absorbent felt, 100 pieces	C	353,-	32,-	385,-

Prices in EUR, valid EXW DE-46354 Südlohn, DE-38820 Halberstadt, unpacked
 Freight charges valid CPT Czech Republic, islands and oversea territories excluded