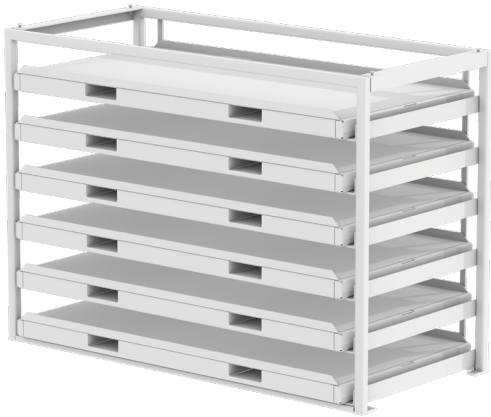
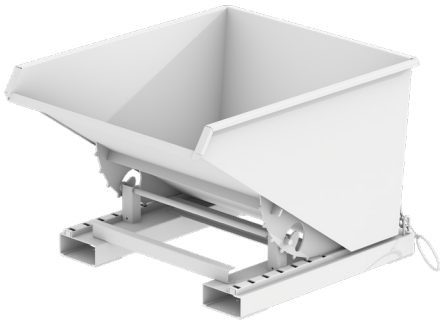


...made by



PRICE LIST 0424 EN-ES

FORKLIFT TRUCK ATTACHMENTS

WORKSPACE MATERIAL HANDLING

ENVIRONMENT / STORAGE

HAZARDOUS MATERIALS CONTAINERS

INNOVATION – CONSTRUCTION – PRODUCTION

... for more than 55 years

Price List 0424 en-ES Forklift Truck Attachments

Drum Gripper Type 3P	Category	Price	Freight charges	Price including freight charges
3P, painted	B	910,-	123,-	1033,-
3P, hot-dip galvanized	B	956,-	123,-	1079,-

Tilting Container Type 3S	Category	Price	Freight charges	Price including freight charges
3S 300, painted	A	1201,-	191,-	1392,-
Lid, galvanized	A	168,-	18,-	186,-
Castor Set, polyamide, Load capacity 1050 kg / castor set	A	131,-	15,-	146,-
3S 300, hot-dip galvanized	A	1296,-	277,-	1573,-
Lid, galvanized	A	168,-	18,-	186,-
Castor Set, polyamide, Load capacity 1050 kg / castor set	A	131,-	15,-	146,-
3S 600, painted	A	1256,-	277,-	1533,-
Lid, galvanized	A	189,-	22,-	211,-
Castor Set, polyamide, Load capacity 1050 kg / castor set	A	131,-	15,-	146,-
3S 600, hot-dip galvanized	A	1354,-	277,-	1631,-
Lid, galvanized	A	189,-	22,-	211,-
Castor Set, polyamide, Load capacity 1050 kg / castor set	A	131,-	15,-	146,-

Automatic Tilting Container Type 4A	Category	Price	Freight charges	Price including freight charges
4A 600, painted	A	1065,-	191,-	1256,-
Lid, galvanized	A	189,-	22,-	211,-
Skip Body Welded Oil and Watertight	A	75,-	0,-	75,-
4A 600, hot-dip galvanized	A	1207,-	191,-	1398,-
Lid, galvanized	A	189,-	22,-	211,-
Skip Body Welded Oil and Watertight	A	75,-	0,-	75,-
4A 900, painted	A	1197,-	277,-	1474,-
Lid, galvanized	A	215,-	27,-	242,-
Skip Body Welded Oil and Watertight	A	75,-	0,-	75,-
4A 900, hot-dip galvanized	A	1375,-	277,-	1652,-
Lid, galvanized	A	215,-	27,-	242,-
Skip Body Welded Oil and Watertight	A	75,-	0,-	75,-
4A 1200, painted	A	1282,-	277,-	1559,-
Lid, galvanized	A	215,-	26,-	241,-
Skip Body Welded Oil and Watertight	A	116,-	0,-	116,-
4A 1200, hot-dip galvanized	A	1505,-	277,-	1782,-
Lid, galvanized	A	215,-	26,-	241,-
Skip Body Welded Oil and Watertight	A	116,-	0,-	116,-

Drum Gripper Type 4P	Category	Price	Freight charges	Price including freight charges
4P, painted	B	558,-	60,-	618,-
4P, hot-dip galvanized	B	532,-	60,-	592,-

Prices in EUR, valid EXW DE-46354 Südlohn, DE-38820 Halberstadt, unpacked
Freight charges valid CPT Spain, islands and oversea territories excluded

Price List 0424 en-ES

Forklift Truck Attachments



Drum Gripper Type 4P-D	Category	Price	Freight charges	Price including freight charges
4P-D120, painted	B	558,-	60,-	618,-
4P-D120, hot-dip galvanized	B	532,-	60,-	592,-
4P-D220, painted	B	558,-	60,-	618,-
4P-D220, hot-dip galvanized	B	532,-	60,-	592,-

Tilting Container Type AK	Category	Price	Freight charges	Price including freight charges
AK 50, painted	A	774,-	191,-	965,-
Lid, galvanized	A	135,-	16,-	151,-
Castor Set, polyamide, Load capacity 1050 kg / castor set	A	131,-	15,-	146,-
Skip Body Welded Oil and Watertight	A	75,-	0,-	75,-
AK 50, hot-dip galvanized	A	923,-	191,-	1114,-
Lid, galvanized	A	135,-	16,-	151,-
Castor Set, polyamide, Load capacity 1050 kg / castor set	A	131,-	15,-	146,-
Skip Body Welded Oil and Watertight	A	75,-	0,-	75,-
AK 75, painted	A	866,-	191,-	1057,-
Lid, galvanized	A	185,-	21,-	206,-
Castor Set, polyamide, Load capacity 1050 kg / castor set	A	131,-	15,-	146,-
Skip Body Welded Oil and Watertight	A	75,-	0,-	75,-
AK 75, hot-dip galvanized	A	1012,-	277,-	1289,-
Lid, galvanized	A	185,-	21,-	206,-
Castor Set, polyamide, Load capacity 1050 kg / castor set	A	131,-	15,-	146,-
Skip Body Welded Oil and Watertight	A	75,-	0,-	75,-
AK 100, painted	A	937,-	277,-	1214,-
Lid, galvanized	A	210,-	26,-	236,-
Castor Set, polyamide, Load capacity 1050 kg / castor set	A	131,-	15,-	146,-
Skip Body Welded Oil and Watertight	A	116,-	0,-	116,-
AK 100, hot-dip galvanized	A	1094,-	277,-	1371,-
Lid, galvanized	A	210,-	26,-	236,-
Castor Set, polyamide, Load capacity 1050 kg / castor set	A	131,-	15,-	146,-
Skip Body Welded Oil and Watertight	A	116,-	0,-	116,-
AK 150, painted	A	1196,-	277,-	1473,-
Lid, galvanized	A	294,-	28,-	322,-
Castor Set, polyamide, Load capacity 1050 kg / castor set	A	131,-	15,-	146,-
Skip Body Welded Oil and Watertight	A	116,-	0,-	116,-
AK 150, hot-dip galvanized	A	1399,-	277,-	1676,-
Lid, galvanized	A	294,-	28,-	322,-
Castor Set, polyamide, Load capacity 1050 kg / castor set	A	131,-	15,-	146,-
Skip Body Welded Oil and Watertight	A	116,-	0,-	116,-

Container for Building Materials Type BBG	Category	Price	Freight charges	Price including freight charges
BBG 100, painted	A	391,-	191,-	582,-
Lid, galvanized	A	182,-	123,-	305,-
BBG 100, hot-dip galvanized	A	479,-	191,-	670,-
Lid, galvanized	A	182,-	123,-	305,-

Prices in EUR, valid EXW DE-46354 Südlohn, DE-38820 Halberstadt, unpacked
 Freight charges valid CPT Spain, islands and oversea territories excluded

Price List 0424 en-ES

Forklift Truck Attachments



Container for Building Materials Type BBK	Category	Price	Freight charges	Price including freight charges
BBK 100, painted	A	479,-	191,-	670,-
Lid, galvanized	A	182,-	123,-	305,-
BBK 100, hot-dip galvanized	A	551,-	191,-	742,-
Lid, galvanized	A	182,-	123,-	305,-
Material Container Type BBM	Category	Price	Freight charges	Price including freight charges
BBM 500, painted	A	314,-	123,-	437,-
BBM 500, hot-dip galvanized	A	346,-	123,-	469,-
Container for Building Materials Type BBP	Category	Price	Freight charges	Price including freight charges
BBP 100, painted	A	418,-	123,-	541,-
Lid, galvanized	A	182,-	123,-	305,-
Pick-up cones (pins) and angle iron traverse lock	A	49,-	10,-	59,-
BBP 100, hot-dip galvanized	A	493,-	123,-	616,-
Lid, galvanized	A	182,-	123,-	305,-
Pick-up cones (pins) and angle iron traverse lock	A	49,-	10,-	59,-
Tilting Traverse for Containers for Building Material Containers Type BBT	Category	Price	Freight charges	Price including freight charges
BBT, painted	A	551,-	191,-	742,-
BBT, hot-dip galvanized	A	627,-	191,-	818,-
Building Materials Container Type BC	Category	Price	Freight charges	Price including freight charges
BC 500, painted	B	924,-	191,-	1115,-
Lid, galvanized	B	138,-	16,-	154,-
Castor Set, polyamide, Load capacity 1350 kg / castor set	A	185,-	15,-	200,-
BC 500, hot-dip galvanized	B	1139,-	277,-	1416,-
Lid, galvanized	B	138,-	16,-	154,-
Castor Set, polyamide, Load capacity 1350 kg / castor set	A	185,-	15,-	200,-
BC 500 (brick clamp operated), painted	B	991,-	191,-	1182,-
Lid, galvanized	B	138,-	16,-	154,-
Castor Set, polyamide, Load capacity 1350 kg / castor set	A	185,-	15,-	200,-
BC 500 (brick clamp operated), hot-dip galvanized	B	1207,-	277,-	1484,-
Lid, galvanized	B	138,-	16,-	154,-
Castor Set, polyamide, Load capacity 1350 kg / castor set	A	185,-	15,-	200,-
BC 1000, painted	B	1007,-	277,-	1284,-
Lid, galvanized	B	138,-	16,-	154,-
Castor Set, polyamide, Load capacity 1350 kg / castor set	A	185,-	15,-	200,-
BC 1000, hot-dip galvanized	B	1271,-	277,-	1548,-
Lid, galvanized	B	138,-	16,-	154,-
Castor Set, polyamide, Load capacity 1350 kg / castor set	A	185,-	15,-	200,-
BC 1000 (brick clamp operated), painted	B	1073,-	277,-	1350,-
Lid, galvanized	B	138,-	16,-	154,-
Castor Set, polyamide, Load capacity 1350 kg / castor set	A	185,-	15,-	200,-
BC 1000 (brick clamp operated), hot-dip galvanized	B	1339,-	277,-	1616,-
Lid, galvanized	B	138,-	16,-	154,-

Prices in EUR, valid EXW DE-46354 Südlohn, DE-38820 Halberstadt, unpacked
Freight charges valid CPT Spain, islands and oversea territories excluded

Price List 0424 en-ES

Forklift Truck Attachments



Building Materials Container Type BC	Category	Price	Freight charges	Price including freight charges
Castor Set, polyamide, Load capacity 1350 kg / castor set	A	185,-	15,-	200,-
Tilting Container Type BK	Category	Price	Freight charges	Price including freight charges
BK 30, painted	A	676,-	191,-	867,-
Lid, galvanized	A	94,-	18,-	112,-
Castor Set, polyamide, Load capacity 1350 kg / castor set	A	185,-	15,-	200,-
Castor Set, polyamide, Load capacity 2550 kg / castor set	A	366,-	15,-	381,-
Skip Body Welded Oil and Watertight	A	75,-	0,-	75,-
BK 30, hot-dip galvanized	A	950,-	191,-	1141,-
Lid, galvanized	A	94,-	18,-	112,-
Castor Set, polyamide, Load capacity 1350 kg / castor set	A	185,-	15,-	200,-
Castor Set, polyamide, Load capacity 2550 kg / castor set	A	366,-	15,-	381,-
Skip Body Welded Oil and Watertight	A	75,-	0,-	75,-
BK 50, painted	A	950,-	191,-	1141,-
Lid, galvanized	A	94,-	20,-	114,-
Castor Set, polyamide, Load capacity 1350 kg / castor set	A	185,-	15,-	200,-
Castor Set, polyamide, Load capacity 2550 kg / castor set	A	366,-	15,-	381,-
Skip Body Welded Oil and Watertight	A	75,-	0,-	75,-
BK 50, hot-dip galvanized	A	1282,-	277,-	1559,-
Lid, galvanized	A	94,-	20,-	114,-
Castor Set, polyamide, Load capacity 1350 kg / castor set	A	185,-	15,-	200,-
Castor Set, polyamide, Load capacity 2550 kg / castor set	A	366,-	15,-	381,-
Skip Body Welded Oil and Watertight	A	75,-	0,-	75,-
BK 80, painted	A	1253,-	277,-	1530,-
Lid, galvanized	A	139,-	22,-	161,-
Castor Set, polyamide, Load capacity 1350 kg / castor set	A	185,-	15,-	200,-
Castor Set, polyamide, Load capacity 2550 kg / castor set	A	366,-	15,-	381,-
Skip Body Welded Oil and Watertight	A	75,-	0,-	75,-
BK 80, hot-dip galvanized	A	1752,-	277,-	2029,-
Lid, galvanized	A	139,-	22,-	161,-
Castor Set, polyamide, Load capacity 1350 kg / castor set	A	185,-	15,-	200,-
Castor Set, polyamide, Load capacity 2550 kg / castor set	A	366,-	15,-	381,-
Skip Body Welded Oil and Watertight	A	75,-	0,-	75,-
BK 100, painted	A	1457,-	277,-	1734,-
Lid, galvanized	A	167,-	27,-	194,-
Castor Set, polyamide, Load capacity 1350 kg / castor set	A	185,-	15,-	200,-
Castor Set, polyamide, Load capacity 2550 kg / castor set	A	366,-	15,-	381,-
Skip Body Welded Oil and Watertight	A	116,-	0,-	116,-
BK 100, hot-dip galvanized	A	2000,-	277,-	2277,-
Lid, galvanized	A	167,-	27,-	194,-
Castor Set, polyamide, Load capacity 1350 kg / castor set	A	185,-	15,-	200,-
Castor Set, polyamide, Load capacity 2550 kg / castor set	A	366,-	15,-	381,-
Skip Body Welded Oil and Watertight	A	116,-	0,-	116,-
BK 120, painted	A	1584,-	277,-	1861,-
Lid, galvanized	A	177,-	32,-	209,-
Castor Set, polyamide, Load capacity 1350 kg / castor set	A	185,-	15,-	200,-

Prices in EUR, valid EXW DE-46354 Südlohn, DE-38820 Halberstadt, unpacked
Freight charges valid CPT Spain, islands and oversea territories excluded

Price List 0424 en-ES

Forklift Truck Attachments



Tilting Container Type BK	Category	Price	Freight charges	Price including freight charges
Castor Set, polyamide, Load capacity 2550 kg / castor set	A	366,-	15,-	381,-
Skip Body Welded Oil and Watertight	A	116,-	0,-	116,-
BK 120, hot-dip galvanized	A	2159,-	277,-	2436,-
Lid, galvanized	A	177,-	32,-	209,-
Castor Set, polyamide, Load capacity 1350 kg / castor set	A	185,-	15,-	200,-
Castor Set, polyamide, Load capacity 2550 kg / castor set	A	366,-	15,-	381,-
Skip Body Welded Oil and Watertight	A	116,-	0,-	116,-
BK 150, painted	A	1740,-	340,-	2080,-
Lid, galvanized	A	203,-	39,-	242,-
Castor Set, polyamide, Load capacity 1350 kg / castor set	A	185,-	15,-	200,-
Castor Set, polyamide, Load capacity 2550 kg / castor set	A	366,-	15,-	381,-
Skip Body Welded Oil and Watertight	A	116,-	0,-	116,-
BK 150, hot-dip galvanized	A	2361,-	340,-	2701,-
Lid, galvanized	A	203,-	39,-	242,-
Castor Set, polyamide, Load capacity 1350 kg / castor set	A	185,-	15,-	200,-
Castor Set, polyamide, Load capacity 2550 kg / castor set	A	366,-	15,-	381,-
Skip Body Welded Oil and Watertight	A	116,-	0,-	116,-
BK 200, painted	A	2164,-	340,-	2504,-
Lid, galvanized	A	215,-	123,-	338,-
Castor Set, polyamide, Load capacity 1350 kg / castor set	A	185,-	15,-	200,-
Castor Set, polyamide, Load capacity 2550 kg / castor set	A	366,-	15,-	381,-
Skip Body Welded Oil and Watertight	A	116,-	0,-	116,-
BK 200, hot-dip galvanized	A	2948,-	476,-	3424,-
Lid, galvanized	A	215,-	123,-	338,-
Castor Set, polyamide, Load capacity 1350 kg / castor set	A	185,-	15,-	200,-
Castor Set, polyamide, Load capacity 2550 kg / castor set	A	366,-	15,-	381,-
Skip Body Welded Oil and Watertight	A	116,-	0,-	116,-
Container With Drop Away Base Type BKB	Category	Price	Freight charges	Price including freight charges
BKB 500, painted	A	737,-	191,-	928,-
Lid, galvanized	A	189,-	18,-	207,-
Castor Set, polyamide, Load capacity 1350 kg / castor set	A	185,-	15,-	200,-
BKB 500, hot-dip galvanized	A	876,-	191,-	1067,-
Lid, galvanized	A	189,-	18,-	207,-
Castor Set, polyamide, Load capacity 1350 kg / castor set	A	185,-	15,-	200,-
BKB 700, painted	A	788,-	191,-	979,-
Lid, galvanized	A	189,-	18,-	207,-
Castor Set, polyamide, Load capacity 1350 kg / castor set	A	185,-	15,-	200,-
BKB 700, hot-dip galvanized	A	927,-	191,-	1118,-
Lid, galvanized	A	189,-	18,-	207,-
Castor Set, polyamide, Load capacity 1350 kg / castor set	A	185,-	15,-	200,-
BKB 1000, painted	A	835,-	191,-	1026,-
Lid, galvanized	A	189,-	18,-	207,-
Castor Set, polyamide, Load capacity 1350 kg / castor set	A	185,-	15,-	200,-
BKB 1000, hot-dip galvanized	A	994,-	191,-	1185,-
Lid, galvanized	A	189,-	18,-	207,-

Prices in EUR, valid EXW DE-46354 Südlohn, DE-38820 Halberstadt, unpacked
Freight charges valid CPT Spain, islands and oversea territories excluded

Price List 0424 en-ES

Forklift Truck Attachments



Container With Drop Away Base Type BKB	Category	Price	Freight charges	Price including freight charges
Castor Set, polyamide, Load capacity 1350 kg / castor set	A	185,-	15,-	200,-

Tilting Container Type BKC	Category	Price	Freight charges	Price including freight charges
BKC 200, painted	A	2229,-	476,-	2705,-
Lid, galvanized	A	434,-	123,-	557,-
Skip Body Welded Oil and Watertight	A	116,-	0,-	116,-
BKC 200, hot-dip galvanized	A	2984,-	476,-	3460,-
Lid, galvanized	A	434,-	123,-	557,-
Skip Body Welded Oil and Watertight	A	116,-	0,-	116,-
BKC 300, painted	A	2471,-	476,-	2947,-
Lid, galvanized	A	434,-	123,-	557,-
Skip Body Welded Oil and Watertight	A	116,-	0,-	116,-
BKC 300, hot-dip galvanized	A	3253,-	476,-	3729,-
Lid, galvanized	A	434,-	123,-	557,-
Skip Body Welded Oil and Watertight	A	116,-	0,-	116,-
BKC 400, painted	A	3043,-	476,-	3519,-
Lid, galvanized	A	434,-	191,-	625,-
Skip Body Welded Oil and Watertight	A	116,-	0,-	116,-
BKC 400, hot-dip galvanized	A	3929,-	614,-	4543,-
Lid, galvanized	A	434,-	191,-	625,-
Skip Body Welded Oil and Watertight	A	116,-	0,-	116,-
BKC 500, painted	A	3535,-	614,-	4149,-
Lid, galvanized	A	434,-	191,-	625,-
Skip Body Welded Oil and Watertight	A	116,-	0,-	116,-
BKC 500, hot-dip galvanized	A	4484,-	614,-	5098,-
Lid, galvanized	A	434,-	191,-	625,-
Skip Body Welded Oil and Watertight	A	116,-	0,-	116,-

Tilting Container Type BKC-H	Category	Price	Freight charges	Price including freight charges
BKC-H 200, painted	A	3306,-	476,-	3782,-
Skip Body Welded Oil and Watertight	A	116,-	0,-	116,-
Lid, galvanized	A	434,-	123,-	557,-
BKC-H 200, hot-dip galvanized	A	4061,-	476,-	4537,-
Lid, galvanized	A	434,-	123,-	557,-
Skip Body Welded Oil and Watertight	A	116,-	0,-	116,-
BKC-H 300, painted	A	3548,-	476,-	4024,-
Skip Body Welded Oil and Watertight	A	116,-	0,-	116,-
Lid, galvanized	A	434,-	123,-	557,-
BKC-H 300, hot-dip galvanized	A	4331,-	476,-	4807,-
Lid, galvanized	A	434,-	123,-	557,-
Skip Body Welded Oil and Watertight	A	116,-	0,-	116,-
BKC-H 400, painted	A	4120,-	476,-	4596,-
Lid, galvanized	A	434,-	191,-	625,-
Skip Body Welded Oil and Watertight	A	116,-	0,-	116,-
BKC-H 400, hot-dip galvanized	A	5006,-	614,-	5620,-

Prices in EUR, valid EXW DE-46354 Südlohn, DE-38820 Halberstadt, unpacked
Freight charges valid CPT Spain, islands and oversea territories excluded

Price List 0424 en-ES

Forklift Truck Attachments



Tilting Container Type BKC-H	Category	Price	Freight charges	Price including freight charges
Lid, galvanized	A	434,-	191,-	625,-
Skip Body Welded Oil and Watertight	A	116,-	0,-	116,-
BKC-H 500, painted	A	4612,-	614,-	5226,-
Lid, galvanized	A	434,-	191,-	625,-
Skip Body Welded Oil and Watertight	A	116,-	0,-	116,-
BKC-H 500, hot-dip galvanized	A	5561,-	614,-	6175,-
Skip Body Welded Oil and Watertight	A	116,-	0,-	116,-
Lid, galvanized	A	434,-	191,-	625,-

Tilting Container Type BKM	Category	Price	Freight charges	Price including freight charges
BKM 30, painted	A	676,-	191,-	867,-
Lid, galvanized	A	100,-	18,-	118,-
Castor Set, polyamide, Load capacity 1350 kg / castor set	A	185,-	15,-	200,-
Castor Set, polyamide, Load capacity 2550 kg / castor set	A	366,-	15,-	381,-
Skip Body Welded Oil and Watertight	A	75,-	0,-	75,-
BKM 30, hot-dip galvanized	A	950,-	191,-	1141,-
Lid, galvanized	A	100,-	18,-	118,-
Castor Set, polyamide, Load capacity 1350 kg / castor set	A	185,-	15,-	200,-
Castor Set, polyamide, Load capacity 2550 kg / castor set	A	366,-	15,-	381,-
Skip Body Welded Oil and Watertight	A	75,-	0,-	75,-
BKM 50, painted	A	950,-	191,-	1141,-
Lid, galvanized	A	125,-	21,-	146,-
Castor Set, polyamide, Load capacity 1350 kg / castor set	A	185,-	15,-	200,-
Castor Set, polyamide, Load capacity 2550 kg / castor set	A	366,-	15,-	381,-
Skip Body Welded Oil and Watertight	A	75,-	0,-	75,-
BKM 50, hot-dip galvanized	A	1282,-	191,-	1473,-
Lid, galvanized	A	125,-	21,-	146,-
Castor Set, polyamide, Load capacity 1350 kg / castor set	A	185,-	15,-	200,-
Castor Set, polyamide, Load capacity 2550 kg / castor set	A	366,-	15,-	381,-
Skip Body Welded Oil and Watertight	A	75,-	0,-	75,-
BKM 75, painted	A	1203,-	277,-	1480,-
Lid, galvanized	A	137,-	22,-	159,-
Castor Set, polyamide, Load capacity 1350 kg / castor set	A	185,-	15,-	200,-
Castor Set, polyamide, Load capacity 2550 kg / castor set	A	366,-	15,-	381,-
Skip Body Welded Oil and Watertight	A	75,-	0,-	75,-
BKM 75, hot-dip galvanized	A	1615,-	277,-	1892,-
Lid, galvanized	A	137,-	22,-	159,-
Castor Set, polyamide, Load capacity 1350 kg / castor set	A	185,-	15,-	200,-
Castor Set, polyamide, Load capacity 2550 kg / castor set	A	366,-	15,-	381,-
Skip Body Welded Oil and Watertight	A	75,-	0,-	75,-
BKM 100, painted	A	1457,-	277,-	1734,-
Lid, galvanized	A	178,-	27,-	205,-
Castor Set, polyamide, Load capacity 1350 kg / castor set	A	185,-	15,-	200,-
Castor Set, polyamide, Load capacity 2550 kg / castor set	A	366,-	15,-	381,-
Skip Body Welded Oil and Watertight	A	116,-	0,-	116,-
BKM 100, hot-dip galvanized	A	2000,-	277,-	2277,-

Prices in EUR, valid EXW DE-46354 Südlohn, DE-38820 Halberstadt, unpacked
Freight charges valid CPT Spain, islands and oversea territories excluded

Price List 0424 en-ES

Forklift Truck Attachments



Tilting Container Type BKM	Category	Price	Freight charges	Price including freight charges
Lid, galvanized	A	178,-	27,-	205,-
Castor Set, polyamide, Load capacity 1350 kg / castor set	A	185,-	15,-	200,-
Castor Set, polyamide, Load capacity 2550 kg / castor set	A	366,-	15,-	381,-
Skip Body Welded Oil and Watertight	A	116,-	0,-	116,-
BKM 150, painted	A	1740,-	340,-	2080,-
Lid, galvanized	A	261,-	36,-	297,-
Castor Set, polyamide, Load capacity 1350 kg / castor set	A	185,-	15,-	200,-
Castor Set, polyamide, Load capacity 2550 kg / castor set	A	366,-	15,-	381,-
Skip Body Welded Oil and Watertight	A	116,-	0,-	116,-
BKM 150, hot-dip galvanized	A	2361,-	340,-	2701,-
Lid, galvanized	A	261,-	36,-	297,-
Castor Set, polyamide, Load capacity 1350 kg / castor set	A	185,-	15,-	200,-
Castor Set, polyamide, Load capacity 2550 kg / castor set	A	366,-	15,-	381,-
Skip Body Welded Oil and Watertight	A	116,-	0,-	116,-
BKM 200, painted	A	2164,-	340,-	2504,-
Lid, galvanized	A	291,-	123,-	414,-
Castor Set, polyamide, Load capacity 1350 kg / castor set	A	185,-	15,-	200,-
Castor Set, polyamide, Load capacity 2550 kg / castor set	A	366,-	15,-	381,-
Skip Body Welded Oil and Watertight	A	116,-	0,-	116,-
BKM 200, hot-dip galvanized	A	2948,-	476,-	3424,-
Lid, galvanized	A	291,-	123,-	414,-
Castor Set, polyamide, Load capacity 1350 kg / castor set	A	185,-	15,-	200,-
Castor Set, polyamide, Load capacity 2550 kg / castor set	A	366,-	15,-	381,-
Skip Body Welded Oil and Watertight	A	116,-	0,-	116,-
Traverse For Stacking Tipper Type BKT	Category	Price	Freight charges	Price including freight charges
BKT 30, painted	A	355,-	191,-	546,-
Traverse Stand Type TS, hot-dip galvanized	A	75,-	8,-	83,-
BKT 55, painted	A	376,-	191,-	567,-
Traverse Stand Type TS, hot-dip galvanized	A	75,-	9,-	84,-
BKT 70, painted	A	376,-	191,-	567,-
Traverse Stand Type TS, hot-dip galvanized	A	75,-	9,-	84,-
BKT 90, painted	A	378,-	191,-	569,-
Traverse Stand Type TS, hot-dip galvanized	A	75,-	9,-	84,-
BKT 150, painted	A	609,-	191,-	800,-
Traverse Stand Type TS, hot-dip galvanized	A	75,-	9,-	84,-
BKT 200, painted	A	672,-	191,-	863,-
Traverse Stand Type TS, hot-dip galvanized	A	75,-	9,-	84,-
Shovel Type BSE	Category	Price	Freight charges	Price including freight charges
BSE 50, painted	A	1435,-	277,-	1712,-
BSE 75, painted	A	1709,-	277,-	1986,-
BSE 100, painted	A	2143,-	340,-	2483,-
BSE 150, painted	A	2422,-	340,-	2762,-
BSE 200, painted	A	2691,-	476,-	3167,-

Prices in EUR, valid EXW DE-46354 Südlohn, DE-38820 Halberstadt, unpacked
Freight charges valid CPT Spain, islands and oversea territories excluded

Price List 0424 en-ES

Forklift Truck Attachments



Shovel Type BSE	Category	Price	Freight charges	Price including freight charges
BSE 250, painted	A	3316,-	526,-	3842,-
Shovel Type BSI	Category	Price	Freight charges	Price including freight charges
BSI 50, painted	A	1214,-	191,-	1405,-
BSI 75, painted	A	1375,-	277,-	1652,-
BSI 100, painted	A	1725,-	277,-	2002,-
Stacking Tipper Type BSK	Category	Price	Freight charges	Price including freight charges
BSK 30, painted	A	256,-	123,-	379,-
Lid, galvanized	A	66,-	12,-	78,-
Castor Set, polyamide, Load capacity 1350 kg / castor set	A	185,-	15,-	200,-
Skip Body Welded Oil and Watertight	A	75,-	0,-	75,-
Set of 5 self-adhesive stickers with symbols for: glass, paper, plastic, metal, residual waste	A	28,-	on request	on request
BSK 30, hot-dip galvanized	A	309,-	123,-	432,-
Lid, galvanized	A	66,-	12,-	78,-
Castor Set, polyamide, Load capacity 1350 kg / castor set	A	185,-	15,-	200,-
Skip Body Welded Oil and Watertight	A	75,-	0,-	75,-
Set of 5 self-adhesive stickers with symbols for: glass, paper, plastic, metal, residual waste	A	28,-	on request	on request
BSK 55, painted	A	320,-	123,-	443,-
Lid, galvanized	A	94,-	15,-	109,-
Castor Set, polyamide, Load capacity 1350 kg / castor set	A	185,-	15,-	200,-
Skip Body Welded Oil and Watertight	A	75,-	0,-	75,-
Set of 5 self-adhesive stickers with symbols for: glass, paper, plastic, metal, residual waste	A	28,-	on request	on request
BSK 55, hot-dip galvanized	A	391,-	123,-	514,-
Lid, galvanized	A	94,-	15,-	109,-
Castor Set, polyamide, Load capacity 1350 kg / castor set	A	185,-	15,-	200,-
Skip Body Welded Oil and Watertight	A	75,-	0,-	75,-
Set of 5 self-adhesive stickers with symbols for: glass, paper, plastic, metal, residual waste	A	28,-	on request	on request
BSK 70, painted	A	340,-	123,-	463,-
Lid, galvanized	A	117,-	15,-	132,-
Castor Set, polyamide, Load capacity 1350 kg / castor set	A	185,-	15,-	200,-
Skip Body Welded Oil and Watertight	A	75,-	0,-	75,-
Set of 5 self-adhesive stickers with symbols for: glass, paper, plastic, metal, residual waste	A	28,-	on request	on request
BSK 70, hot-dip galvanized	A	441,-	123,-	564,-
Lid, galvanized	A	117,-	15,-	132,-
Castor Set, polyamide, Load capacity 1350 kg / castor set	A	185,-	15,-	200,-
Skip Body Welded Oil and Watertight	A	75,-	0,-	75,-
Set of 5 self-adhesive stickers with symbols for: glass, paper, plastic, metal, residual waste	A	28,-	on request	on request
BSK 90, painted	A	366,-	123,-	489,-
Lid, galvanized	A	160,-	18,-	178,-
Castor Set, polyamide, Load capacity 1350 kg / castor set	A	185,-	15,-	200,-
Skip Body Welded Oil and Watertight	A	75,-	0,-	75,-
Set of 5 self-adhesive stickers with symbols for: glass, paper, plastic, metal, residual waste	A	28,-	on request	on request
BSK 90, hot-dip galvanized	A	470,-	191,-	661,-
Lid, galvanized	A	160,-	18,-	178,-

Prices in EUR, valid EXW DE-46354 Südlohn, DE-38820 Halberstadt, unpacked
Freight charges valid CPT Spain, islands and oversea territories excluded

Price List 0424 en-ES

Forklift Truck Attachments



Stacking Tipper Type BSK	Category	Price	Freight charges	Price including freight charges
Castor Set, polyamide, Load capacity 1350 kg / castor set	A	185,-	15,-	200,-
Skip Body Welded Oil and Watertight	A	75,-	0,-	75,-
Set of 5 self-adhesive stickers with symbols for: glass, paper, plastic, metal, residual waste	A	28,-	on request	on request
BSK 150, painted	A	841,-	191,-	1032,-
Lid, galvanized	A	215,-	21,-	236,-
Castor Set, polyamide, Load capacity 1350 kg / castor set	A	185,-	15,-	200,-
Skip Body Welded Oil and Watertight	A	116,-	0,-	116,-
Set of 5 self-adhesive stickers with symbols for: glass, paper, plastic, metal, residual waste	A	28,-	on request	on request
BSK 150, hot-dip galvanized	A	984,-	191,-	1175,-
Lid, galvanized	A	215,-	21,-	236,-
Castor Set, polyamide, Load capacity 1350 kg / castor set	A	185,-	15,-	200,-
Skip Body Welded Oil and Watertight	A	116,-	0,-	116,-
Set of 5 self-adhesive stickers with symbols for: glass, paper, plastic, metal, residual waste	A	28,-	on request	on request
BSK 200, painted	A	902,-	191,-	1093,-
Lid, galvanized	A	274,-	26,-	300,-
Castor Set, polyamide, Load capacity 1350 kg / castor set	A	185,-	15,-	200,-
Skip Body Welded Oil and Watertight	A	116,-	0,-	116,-
Set of 5 self-adhesive stickers with symbols for: glass, paper, plastic, metal, residual waste	A	28,-	on request	on request
BSK 200, hot-dip galvanized	A	1129,-	191,-	1320,-
Lid, galvanized	A	274,-	26,-	300,-
Castor Set, polyamide, Load capacity 1350 kg / castor set	A	185,-	15,-	200,-
Skip Body Welded Oil and Watertight	A	116,-	0,-	116,-
Set of 5 self-adhesive stickers with symbols for: glass, paper, plastic, metal, residual waste	A	28,-	on request	on request
Lattice Tilting Container Type BSK-G	Category	Price	Freight charges	Price including freight charges
BSK-G 90, painted	A	332,-	123,-	455,-
Lid, galvanized	A	160,-	18,-	178,-
Castor Set, polyamide, Load capacity 1350 kg / castor set	A	185,-	15,-	200,-
BSK-G 90, hot-dip galvanized	A	404,-	123,-	527,-
Lid, galvanized	A	160,-	18,-	178,-
Castor Set, polyamide, Load capacity 1350 kg / castor set	A	185,-	15,-	200,-
Swarf Stacking Tipper Type BSL	Category	Price	Freight charges	Price including freight charges
BSL 30, painted	A	570,-	123,-	693,-
Lid, galvanized	A	66,-	12,-	78,-
Castor Set, polyamide, Load capacity 1350 kg / castor set	A	185,-	15,-	200,-
BSL 30, hot-dip galvanized	A	656,-	123,-	779,-
Lid, galvanized	A	66,-	12,-	78,-
Castor Set, polyamide, Load capacity 1350 kg / castor set	A	185,-	15,-	200,-
BSL 55, painted	A	701,-	191,-	892,-
Lid, galvanized	A	94,-	15,-	109,-
Castor Set, polyamide, Load capacity 1350 kg / castor set	A	185,-	15,-	200,-
BSL 55, hot-dip galvanized	A	823,-	191,-	1014,-
Lid, galvanized	A	94,-	15,-	109,-
Castor Set, polyamide, Load capacity 1350 kg / castor set	A	185,-	15,-	200,-

Prices in EUR, valid EXW DE-46354 Südlohn, DE-38820 Halberstadt, unpacked
Freight charges valid CPT Spain, islands and oversea territories excluded

Price List 0424 en-ES

Forklift Truck Attachments



Swarf Stacking Tipper Type BSL	Category	Price	Freight charges	Price including freight charges
BSL 70, painted	A	737,-	191,-	928,-
Lid, galvanized	A	117,-	15,-	132,-
Castor Set, polyamide, Load capacity 1350 kg / castor set	A	185,-	15,-	200,-
BSL 70, hot-dip galvanized	A	881,-	191,-	1072,-
Lid, galvanized	A	117,-	15,-	132,-
Castor Set, polyamide, Load capacity 1350 kg / castor set	A	185,-	15,-	200,-
BSL 90, painted	A	801,-	191,-	992,-
Lid, galvanized	A	160,-	18,-	178,-
Castor Set, polyamide, Load capacity 1350 kg / castor set	A	185,-	15,-	200,-
BSL 90, hot-dip galvanized	A	970,-	191,-	1161,-
Lid, galvanized	A	160,-	18,-	178,-
Castor Set, polyamide, Load capacity 1350 kg / castor set	A	185,-	15,-	200,-
BSL 150, painted	A	1185,-	191,-	1376,-
Lid, galvanized	A	215,-	21,-	236,-
Castor Set, polyamide, Load capacity 1350 kg / castor set	A	185,-	15,-	200,-
BSL 150, hot-dip galvanized	A	1439,-	277,-	1716,-
Lid, galvanized	A	215,-	21,-	236,-
Castor Set, polyamide, Load capacity 1350 kg / castor set	A	185,-	15,-	200,-
BSL 200, painted	A	1282,-	277,-	1559,-
Lid, galvanized	A	274,-	26,-	300,-
Castor Set, polyamide, Load capacity 1350 kg / castor set	A	185,-	15,-	200,-
BSL 200, hot-dip galvanized	A	1731,-	277,-	2008,-
Lid, galvanized	A	274,-	26,-	300,-
Castor Set, polyamide, Load capacity 1350 kg / castor set	A	185,-	15,-	200,-
Shovel Type BSM	Category	Price	Freight charges	Price including freight charges
BSM 50, painted	A	1435,-	191,-	1626,-
BSM 75, painted	A	1709,-	277,-	1986,-
BSM 100, painted	A	2143,-	340,-	2483,-
BSM 150, painted	A	2422,-	340,-	2762,-
BSM 200, painted	A	2691,-	476,-	3167,-
BSM 250, painted	A	3316,-	526,-	3842,-
Swarf Stacking Tipper Type BSS	Category	Price	Freight charges	Price including freight charges
BSS 30, painted	A	407,-	123,-	530,-
Lid, galvanized	A	66,-	12,-	78,-
Castor Set, polyamide, Load capacity 1350 kg / castor set	A	185,-	15,-	200,-
BSS 30, hot-dip galvanized	A	473,-	123,-	596,-
Lid, galvanized	A	66,-	12,-	78,-
Castor Set, polyamide, Load capacity 1350 kg / castor set	A	185,-	15,-	200,-
BSS 55, painted	A	505,-	123,-	628,-
Lid, galvanized	A	94,-	15,-	109,-
Castor Set, polyamide, Load capacity 1350 kg / castor set	A	185,-	15,-	200,-
BSS 55, hot-dip galvanized	A	626,-	123,-	749,-
Lid, galvanized	A	94,-	15,-	109,-

Prices in EUR, valid EXW DE-46354 Südlohn, DE-38820 Halberstadt, unpacked
Freight charges valid CPT Spain, islands and oversea territories excluded

Price List 0424 en-ES

Forklift Truck Attachments



Swarf Stacking Tipper Type BSS	Category	Price	Freight charges	Price including freight charges
Castor Set, polyamide, Load capacity 1350 kg / castor set	A	185,-	15,-	200,-
BSS 70, painted	A	542,-	123,-	665,-
Lid, galvanized	A	117,-	15,-	132,-
Castor Set, polyamide, Load capacity 1350 kg / castor set	A	185,-	15,-	200,-
BSS 70, hot-dip galvanized	A	684,-	191,-	875,-
Lid, galvanized	A	117,-	15,-	132,-
Castor Set, polyamide, Load capacity 1350 kg / castor set	A	185,-	15,-	200,-
BSS 90, painted	A	576,-	191,-	767,-
Lid, galvanized	A	160,-	18,-	178,-
Castor Set, polyamide, Load capacity 1350 kg / castor set	A	185,-	15,-	200,-
BSS 90, hot-dip galvanized	A	739,-	191,-	930,-
Lid, galvanized	A	160,-	18,-	178,-
Castor Set, polyamide, Load capacity 1350 kg / castor set	A	185,-	15,-	200,-
BSS 150, painted	A	876,-	191,-	1067,-
Lid, galvanized	A	215,-	21,-	236,-
Castor Set, polyamide, Load capacity 1350 kg / castor set	A	185,-	15,-	200,-
BSS 150, hot-dip galvanized	A	1126,-	191,-	1317,-
Lid, galvanized	A	215,-	21,-	236,-
Castor Set, polyamide, Load capacity 1350 kg / castor set	A	185,-	15,-	200,-
BSS 200, painted	A	989,-	191,-	1180,-
Lid, galvanized	A	274,-	26,-	300,-
Castor Set, polyamide, Load capacity 1350 kg / castor set	A	185,-	15,-	200,-
BSS 200, hot-dip galvanized	A	1324,-	277,-	1601,-
Lid, galvanized	A	274,-	26,-	300,-
Castor Set, polyamide, Load capacity 1350 kg / castor set	A	185,-	15,-	200,-
Traverse For Stacking Tipper Type BST	Category	Price	Freight charges	Price including freight charges
BST 30, painted	A	320,-	123,-	443,-
Traverse Stand Type TS, hot-dip galvanized	A	75,-	8,-	83,-
BST 55, painted	A	342,-	123,-	465,-
Traverse Stand Type TS, hot-dip galvanized	A	75,-	9,-	84,-
BST 70, painted	A	342,-	123,-	465,-
Traverse Stand Type TS, hot-dip galvanized	A	75,-	9,-	84,-
BST 90, painted	A	355,-	123,-	478,-
Traverse Stand Type TS, hot-dip galvanized	A	75,-	9,-	84,-
BST 150, painted	A	532,-	191,-	723,-
Traverse Stand Type TS, hot-dip galvanized	A	75,-	9,-	84,-
BST 200, painted	A	591,-	191,-	782,-
Traverse Stand Type TS, hot-dip galvanized	A	75,-	9,-	84,-
Traverse For Stacking Tipper Type BST-H	Category	Price	Freight charges	Price including freight charges
BST-H 30, painted	A	2055,-	191,-	2246,-
Traverse Stand Type TS, hot-dip galvanized	A	75,-	8,-	83,-
BST-H 55, painted	A	2180,-	191,-	2371,-
Traverse Stand Type TS, hot-dip galvanized	A	75,-	8,-	83,-

Prices in EUR, valid EXW DE-46354 Südlohn, DE-38820 Halberstadt, unpacked
Freight charges valid CPT Spain, islands and oversea territories excluded

Price List 0424 en-ES

Forklift Truck Attachments



Traverse For Stacking Tipplers Type BST-H	Category	Price	Freight charges	Price including freight charges
BST-H 70, painted	A	2180,-	191,-	2371,-
Traverse Stand Type TS, hot-dip galvanized	A	75,-	8,-	83,-
BST-H 90, painted	A	2293,-	191,-	2484,-
Traverse Stand Type TS, hot-dip galvanized	A	75,-	8,-	83,-
BST-H 150, painted	A	2608,-	277,-	2885,-
Traverse Stand Type TS, hot-dip galvanized	A	75,-	9,-	84,-
BST-H 200, painted	A	2871,-	277,-	3148,-
Traverse Stand Type TS, hot-dip galvanized	A	75,-	9,-	84,-

Traverse For Stacking Tipplers Type BST-U	Category	Price	Freight charges	Price including freight charges
BST-U 30, painted	A	923,-	191,-	1114,-
BST-U 55, painted	A	985,-	191,-	1176,-
BST-U 70, painted	A	985,-	191,-	1176,-
BST-U 90, painted	A	1011,-	191,-	1202,-

Filling Hopper Type BTM	Category	Price	Freight charges	Price including freight charges
BTM, painted	A	2377,-	340,-	2717,-

Filling Hopper Type BTS	Category	Price	Freight charges	Price including freight charges
BTS, painted	A	2035,-	340,-	2375,-

Bin Type C	Category	Price	Freight charges	Price including freight charges
C 30, painted	A	407,-	123,-	530,-
C 30, hot-dip galvanized	A	447,-	123,-	570,-
C 80, painted	A	586,-	123,-	709,-
C 80, hot-dip galvanized	A	630,-	123,-	753,-

Swarf Bin Type CS	Category	Price	Freight charges	Price including freight charges
CS 30, painted	A	469,-	123,-	592,-
CS 30, hot-dip galvanized	A	514,-	123,-	637,-
CS 80, painted	A	692,-	123,-	815,-
CS 80, hot-dip galvanized	A	740,-	191,-	931,-

Shovel Type DGS	Category	Price	Freight charges	Price including freight charges
DGS 500, painted	A	2565,-	277,-	2842,-
DGS 700, painted	A	2594,-	277,-	2871,-
DGS 950, painted	A	2630,-	340,-	2970,-
DGS 1200, painted	A	2825,-	340,-	3165,-

Tilting Container Type DUO	Category	Price	Freight charges	Price including freight charges
DUO, painted	A	1803,-	277,-	2080,-
Lid, galvanized	A	228,-	27,-	255,-
Castor Set, polyamide, Load capacity 1350 kg / castor set	A	185,-	15,-	200,-
Set of 5 self-adhesive stickers with symbols for: glass, paper, plastic, metal, residual waste	A	28,-	on request	on request

Prices in EUR, valid EXW DE-46354 Südlohn, DE-38820 Halberstadt, unpacked
 Freight charges valid CPT Spain, islands and oversea territories excluded

Price List 0424 en-ES

Forklift Truck Attachments



Tilting Container Type EXPO®	Category	Price	Freight charges	Price including freight charges
EXPO 150, painted	A	587,-	123,-	710,-
Lid, galvanized	A	168,-	18,-	186,-
Castor Set, polyamide, Load capacity 1050 kg / castor set	A	150,-	15,-	165,-
Skip Body Welded Oil and Watertight	A	75,-	0,-	75,-
EXPO 150, hot-dip galvanized	A	692,-	123,-	815,-
Lid, galvanized	A	168,-	18,-	186,-
Castor Set, polyamide, Load capacity 1050 kg / castor set	A	150,-	15,-	165,-
Skip Body Welded Oil and Watertight	A	75,-	0,-	75,-
EXPO 225, painted	A	639,-	123,-	762,-
Lid, galvanized	A	168,-	18,-	186,-
Castor Set, polyamide, Load capacity 1050 kg / castor set	A	150,-	15,-	165,-
Skip Body Welded Oil and Watertight	A	75,-	0,-	75,-
EXPO 225, hot-dip galvanized	A	758,-	123,-	881,-
Lid, galvanized	A	168,-	18,-	186,-
Castor Set, polyamide, Load capacity 1050 kg / castor set	A	150,-	15,-	165,-
Skip Body Welded Oil and Watertight	A	75,-	0,-	75,-
EXPO 275, painted	A	667,-	123,-	790,-
Lid, galvanized	A	168,-	18,-	186,-
Castor Set, polyamide, Load capacity 1050 kg / castor set	A	150,-	15,-	165,-
Skip Body Welded Oil and Watertight	A	75,-	0,-	75,-
EXPO 275, hot-dip galvanized	A	798,-	123,-	921,-
Lid, galvanized	A	168,-	18,-	186,-
Castor Set, polyamide, Load capacity 1050 kg / castor set	A	150,-	15,-	165,-
Skip Body Welded Oil and Watertight	A	75,-	0,-	75,-
EXPO 300, painted	A	601,-	191,-	792,-
Lid, galvanized	A	168,-	18,-	186,-
Castor Set, polyamide, Load capacity 1350 kg / castor set	A	185,-	15,-	200,-
Skip Body Welded Oil and Watertight	A	75,-	0,-	75,-
EXPO 300, hot-dip galvanized	A	771,-	191,-	962,-
Lid, galvanized	A	168,-	18,-	186,-
Castor Set, polyamide, Load capacity 1350 kg / castor set	A	185,-	15,-	200,-
Skip Body Welded Oil and Watertight	A	75,-	0,-	75,-
EXPO 600, painted	A	708,-	191,-	899,-
Lid, galvanized	A	189,-	22,-	211,-
Castor Set, polyamide, Load capacity 1350 kg / castor set	A	185,-	15,-	200,-
Skip Body Welded Oil and Watertight	A	75,-	0,-	75,-
EXPO 600, hot-dip galvanized	A	849,-	191,-	1040,-
Lid, galvanized	A	189,-	22,-	211,-
Castor Set, polyamide, Load capacity 1350 kg / castor set	A	185,-	15,-	200,-
Skip Body Welded Oil and Watertight	A	75,-	0,-	75,-
EXPO 900, painted	A	790,-	191,-	981,-
Lid, galvanized	A	215,-	27,-	242,-
Castor Set, polyamide, Load capacity 1350 kg / castor set	A	185,-	15,-	200,-
Skip Body Welded Oil and Watertight	A	75,-	0,-	75,-
EXPO 900, hot-dip galvanized	A	931,-	191,-	1122,-
Lid, galvanized	A	215,-	27,-	242,-

Prices in EUR, valid EXW DE-46354 Südlohn, DE-38820 Halberstadt, unpacked
Freight charges valid CPT Spain, islands and oversea territories excluded

Price List 0424 en-ES

Forklift Truck Attachments



Tilting Container Type EXPO®	Category	Price	Freight charges	Price including freight charges
Castor Set, polyamide, Load capacity 1350 kg / castor set	A	185,-	15,-	200,-
Skip Body Welded Oil and Watertight	A	75,-	0,-	75,-
EXPO 1200, painted	A	855,-	277,-	1132,-
Lid, galvanized	A	215,-	26,-	241,-
Castor Set, polyamide, Load capacity 1350 kg / castor set	A	185,-	15,-	200,-
Skip Body Welded Oil and Watertight	A	116,-	0,-	116,-
EXPO 1200, hot-dip galvanized	A	1006,-	277,-	1283,-
Lid, galvanized	A	215,-	26,-	241,-
Castor Set, polyamide, Load capacity 1350 kg / castor set	A	185,-	15,-	200,-
Skip Body Welded Oil and Watertight	A	116,-	0,-	116,-
EXPO 1700, painted	A	1161,-	277,-	1438,-
Lid, galvanized	A	266,-	33,-	299,-
Castor Set, polyamide, Load capacity 1350 kg / castor set	A	185,-	15,-	200,-
Skip Body Welded Oil and Watertight	A	116,-	0,-	116,-
EXPO 1700, hot-dip galvanized	A	1386,-	277,-	1663,-
Lid, galvanized	A	266,-	33,-	299,-
Castor Set, polyamide, Load capacity 1350 kg / castor set	A	185,-	15,-	200,-
Skip Body Welded Oil and Watertight	A	116,-	0,-	116,-
EXPO 2100, painted	A	1280,-	277,-	1557,-
Lid, galvanized	A	347,-	36,-	383,-
Castor Set, polyamide, Load capacity 1350 kg / castor set	A	185,-	15,-	200,-
Skip Body Welded Oil and Watertight	A	116,-	0,-	116,-
EXPO 2100, hot-dip galvanized	A	1551,-	277,-	1828,-
Lid, galvanized	A	347,-	36,-	383,-
Castor Set, polyamide, Load capacity 1350 kg / castor set	A	185,-	15,-	200,-
Skip Body Welded Oil and Watertight	A	116,-	0,-	116,-
Swarf Tilting Container Type EXPO®-E	Category	Price	Freight charges	Price including freight charges
EXPO-E 150, painted	A	704,-	123,-	827,-
Lid, galvanized	A	168,-	18,-	186,-
Castor Set, polyamide, Load capacity 1050 kg / castor set	A	150,-	15,-	165,-
EXPO-E 150, hot-dip galvanized	A	808,-	123,-	931,-
Lid, galvanized	A	168,-	18,-	186,-
Castor Set, polyamide, Load capacity 1050 kg / castor set	A	150,-	15,-	165,-
EXPO-E 225, painted	A	755,-	123,-	878,-
Lid, galvanized	A	168,-	18,-	186,-
Castor Set, polyamide, Load capacity 1050 kg / castor set	A	150,-	15,-	165,-
EXPO-E 225, hot-dip galvanized	A	876,-	123,-	999,-
Lid, galvanized	A	168,-	18,-	186,-
Castor Set, polyamide, Load capacity 1050 kg / castor set	A	150,-	15,-	165,-
EXPO-E 275, painted	A	784,-	123,-	907,-
Lid, galvanized	A	168,-	18,-	186,-
Castor Set, polyamide, Load capacity 1050 kg / castor set	A	150,-	15,-	165,-
EXPO-E 275, hot-dip galvanized	A	912,-	123,-	1035,-
Lid, galvanized	A	168,-	18,-	186,-
Castor Set, polyamide, Load capacity 1050 kg / castor set	A	150,-	15,-	165,-

Prices in EUR, valid EXW DE-46354 Südlohn, DE-38820 Halberstadt, unpacked
Freight charges valid CPT Spain, islands and oversea territories excluded

Price List 0424 en-ES

Forklift Truck Attachments



Swarf Tilting Container Type EXPO®-E	Category	Price	Freight charges	Price including freight charges
EXPO-E 300, painted	A	718,-	191,-	909,-
Lid, galvanized	A	168,-	18,-	186,-
Castor Set, polyamide, Load capacity 1350 kg / castor set	A	185,-	15,-	200,-
EXPO-E 300, hot-dip galvanized	A	887,-	191,-	1078,-
Lid, galvanized	A	168,-	18,-	186,-
Castor Set, polyamide, Load capacity 1350 kg / castor set	A	185,-	15,-	200,-
EXPO-E 600, painted	A	824,-	191,-	1015,-
Lid, galvanized	A	189,-	22,-	211,-
Castor Set, polyamide, Load capacity 1350 kg / castor set	A	185,-	15,-	200,-
EXPO-E 600, hot-dip galvanized	A	965,-	191,-	1156,-
Lid, galvanized	A	189,-	22,-	211,-
Castor Set, polyamide, Load capacity 1350 kg / castor set	A	185,-	15,-	200,-
EXPO-E 900, painted	A	906,-	191,-	1097,-
Lid, galvanized	A	215,-	27,-	242,-
Castor Set, polyamide, Load capacity 1350 kg / castor set	A	185,-	15,-	200,-
EXPO-E 900, hot-dip galvanized	A	1048,-	191,-	1239,-
Lid, galvanized	A	215,-	27,-	242,-
Castor Set, polyamide, Load capacity 1350 kg / castor set	A	185,-	15,-	200,-
EXPO-E 1200, painted	A	1012,-	277,-	1289,-
Lid, galvanized	A	215,-	26,-	241,-
Castor Set, polyamide, Load capacity 1350 kg / castor set	A	185,-	15,-	200,-
EXPO-E 1200, hot-dip galvanized	A	1163,-	277,-	1440,-
Lid, galvanized	A	215,-	26,-	241,-
Castor Set, polyamide, Load capacity 1350 kg / castor set	A	185,-	15,-	200,-
EXPO-E 1700, painted	A	1318,-	277,-	1595,-
Lid, galvanized	A	266,-	33,-	299,-
Castor Set, polyamide, Load capacity 1350 kg / castor set	A	185,-	15,-	200,-
EXPO-E 1700, hot-dip galvanized	A	1543,-	277,-	1820,-
Lid, galvanized	A	266,-	33,-	299,-
Castor Set, polyamide, Load capacity 1350 kg / castor set	A	185,-	15,-	200,-
EXPO-E 2100, painted	A	1437,-	277,-	1714,-
Lid, galvanized	A	347,-	36,-	383,-
Castor Set, polyamide, Load capacity 1350 kg / castor set	A	185,-	15,-	200,-
EXPO-E 2100, hot-dip galvanized	A	1708,-	277,-	1985,-
Lid, galvanized	A	347,-	36,-	383,-
Castor Set, polyamide, Load capacity 1350 kg / castor set	A	185,-	15,-	200,-

Container With Drop Away Base Type FB	Category	Price	Freight charges	Price including freight charges
FB 500, painted	A	781,-	191,-	972,-
Lid, galvanized	A	189,-	15,-	204,-
Castor Set, polyamide, Load capacity 1350 kg / castor set	A	185,-	15,-	200,-
Guiding Plates, galvanized	A	112,-	12,-	124,-
FB 500, hot-dip galvanized	A	960,-	191,-	1151,-
Lid, galvanized	A	189,-	15,-	204,-
Castor Set, polyamide, Load capacity 1350 kg / castor set	A	185,-	15,-	200,-
Guiding Plates, galvanized	A	112,-	12,-	124,-

Prices in EUR, valid EXW DE-46354 Südlohn, DE-38820 Halberstadt, unpacked
 Freight charges valid CPT Spain, islands and oversea territories excluded

Price List 0424 en-ES

Forklift Truck Attachments



Container With Drop Away Base Type FB	Category	Price	Freight charges	Price including freight charges
FB 750, painted	A	850,-	191,-	1041,-
Lid, galvanized	A	189,-	15,-	204,-
Castor Set, polyamide, Load capacity 1350 kg / castor set	A	185,-	15,-	200,-
Guiding Plates, galvanized	A	112,-	12,-	124,-
FB 750, hot-dip galvanized	A	1038,-	191,-	1229,-
Lid, galvanized	A	189,-	15,-	204,-
Castor Set, polyamide, Load capacity 1350 kg / castor set	A	185,-	15,-	200,-
Guiding Plates, galvanized	A	112,-	12,-	124,-
FB 1000, painted	A	910,-	191,-	1101,-
Lid, galvanized	A	229,-	18,-	247,-
Castor Set, polyamide, Load capacity 1350 kg / castor set	A	185,-	15,-	200,-
Guiding Plates, galvanized	A	112,-	12,-	124,-
FB 1000, hot-dip galvanized	A	1117,-	191,-	1308,-
Lid, galvanized	A	229,-	18,-	247,-
Castor Set, polyamide, Load capacity 1350 kg / castor set	A	185,-	15,-	200,-
Guiding Plates, galvanized	A	112,-	12,-	124,-
FB 1500, painted	A	1067,-	277,-	1344,-
Lid, galvanized	A	339,-	21,-	360,-
Castor Set, polyamide, Load capacity 1350 kg / castor set	A	185,-	15,-	200,-
Guiding Plates, galvanized	A	112,-	12,-	124,-
FB 1500, hot-dip galvanized	A	1344,-	277,-	1621,-
Lid, galvanized	A	339,-	21,-	360,-
Castor Set, polyamide, Load capacity 1350 kg / castor set	A	185,-	15,-	200,-
Guiding Plates, galvanized	A	112,-	12,-	124,-
FB 2000, painted	A	1151,-	277,-	1428,-
Lid, galvanized	A	339,-	21,-	360,-
Castor Set, polyamide, Load capacity 1350 kg / castor set	A	185,-	15,-	200,-
Guiding Plates, galvanized	A	112,-	12,-	124,-
FB 2000, hot-dip galvanized	A	1460,-	277,-	1737,-
Lid, galvanized	A	339,-	21,-	360,-
Castor Set, polyamide, Load capacity 1350 kg / castor set	A	185,-	15,-	200,-
Guiding Plates, galvanized	A	112,-	12,-	124,-
Drum Tipper Type FD/L-HK	Category	Price	Freight charges	Price including freight charges
FD/L-HK, painted	B	2245,-	191,-	2436,-
FD/L-HK, hot-dip galvanized	B	2671,-	191,-	2862,-
Drum Tipper Type FD/L-K	Category	Price	Freight charges	Price including freight charges
FD/L-K, painted	B	2429,-	191,-	2620,-
FD/L-K, hot-dip galvanized	B	2864,-	191,-	3055,-
Drum Tipper Type FD-H	Category	Price	Freight charges	Price including freight charges
FD-H, painted	B	2505,-	123,-	2628,-
FD-H, hot-dip galvanized	B	2732,-	123,-	2855,-

Prices in EUR, valid EXW DE-46354 Südlohn, DE-38820 Halberstadt, unpacked
Freight charges valid CPT Spain, islands and oversea territories excluded

Price List 0424 en-ES

Forklift Truck Attachments



Drum Tipper Type FD-HK	Category	Price	Freight charges	Price including freight charges
FD-HK, painted	B	1929,-	123,-	2052,-
FD-HK, hot-dip galvanized	B	2161,-	123,-	2284,-
Drum Tipper Type FD-K	Category	Price	Freight charges	Price including freight charges
FD-K, painted	B	2114,-	123,-	2237,-
FD-K, hot-dip galvanized	B	2354,-	123,-	2477,-
Drum Tipper Type FD-SK	Category	Price	Freight charges	Price including freight charges
FD-SK, painted	B	1929,-	123,-	2052,-
FD-SK, hot-dip galvanized	B	2161,-	123,-	2284,-
Drum Jack Type FH	Category	Price	Freight charges	Price including freight charges
FH-I 120, painted	B	1589,-	123,-	1712,-
FH-I 120, hot-dip galvanized	B	1761,-	123,-	1884,-
FH-I 220, painted	B	1589,-	123,-	1712,-
FH-I 220, hot-dip galvanized	B	1789,-	123,-	1912,-
FH-II 120, painted	B	2320,-	123,-	2443,-
FH-II 120, hot-dip galvanized	B	2582,-	123,-	2705,-
FH-II 220, painted	B	2320,-	123,-	2443,-
FH-II 220, hot-dip galvanized	B	2636,-	123,-	2759,-
Drum Gripper Type FK	Category	Price	Freight charges	Price including freight charges
FK-I, painted	B	1208,-	123,-	1331,-
FK-I, hot-dip galvanized	B	1472,-	123,-	1595,-
FK-II, painted	B	1437,-	191,-	1628,-
FK-II, hot-dip galvanized	B	1818,-	191,-	2009,-
Drum Clamp Type FKL	Category	Price	Freight charges	Price including freight charges
FKL, painted	B	463,-	60,-	523,-
Drum Tipper Type FLEX-HK	Category	Price	Freight charges	Price including freight charges
FLEX-HK, painted	B	2090,-	123,-	2213,-
Shelf Drum Pallet RP, galvanized	B	140,-	60,-	200,-
FLEX-HK, hot-dip galvanized	B	2258,-	123,-	2381,-
Shelf Drum Pallet RP, galvanized	B	140,-	60,-	200,-
Drum Tipper Type FLEX-K	Category	Price	Freight charges	Price including freight charges
FLEX-K, painted	B	2283,-	123,-	2406,-
Shelf Drum Pallet RP, galvanized	B	140,-	60,-	200,-
FLEX-K, hot-dip galvanized	B	2447,-	123,-	2570,-
Shelf Drum Pallet RP, galvanized	B	140,-	60,-	200,-
Drum Traverse Type FT/M	Category	Price	Freight charges	Price including freight charges
FT/M, galvanized	B	305,-	60,-	365,-

Prices in EUR, valid EXW DE-46354 Südlohn, DE-38820 Halberstadt, unpacked
Freight charges valid CPT Spain, islands and oversea territories excluded

Price List 0424 en-ES

Forklift Truck Attachments



Drum Traverse Type FT/MK	Category	Price	Freight charges	Price including freight charges
FT/MK, galvanized	B	349,-	60,-	409,-
Drum Turner Type FW	Category	Price	Freight charges	Price including freight charges
FW-I, painted	B	1342,-	191,-	1533,-
FW-I, hot-dip galvanized	B	1742,-	191,-	1933,-
FW-II, painted	B	1879,-	191,-	2070,-
FW-II, hot-dip galvanized	B	2447,-	191,-	2638,-
Drum Turning Claw Type FWZ	Category	Price	Freight charges	Price including freight charges
FWZ-60, painted	B	1309,-	123,-	1432,-
FWZ-60, hot-dip galvanized	B	1289,-	123,-	1412,-
FWZ-200, painted	B	1349,-	123,-	1472,-
FWZ-200, hot-dip galvanized	B	1329,-	123,-	1452,-
Fork Extensions Type GG	Category	Price	Freight charges	Price including freight charges
GG 80/40 (1600 mm long), painted	A	522,-	123,-	645,-
GG 80/40 (1800 mm long), painted	A	550,-	123,-	673,-
GG 80/40 (2000 mm long), painted	A	580,-	123,-	703,-
GG 100/40 (1600 mm long), painted	A	522,-	123,-	645,-
GG 100/40 (1800 mm long), painted	A	550,-	123,-	673,-
GG 100/40 (2000 mm long), painted	A	580,-	123,-	703,-
GG 100/45 (1600 mm long), painted	A	522,-	123,-	645,-
GG 100/45 (1800 mm long), painted	A	550,-	123,-	673,-
GG 100/45 (2000 mm long), painted	A	580,-	123,-	703,-
GG 100/50 (1600 mm long), painted	A	522,-	123,-	645,-
GG 100/50 (1800 mm long), painted	A	550,-	123,-	673,-
GG 100/50 (2000 mm long), painted	A	580,-	191,-	771,-
GG 120/40 (1600 mm long), painted	A	550,-	123,-	673,-
GG 120/40 (1800 mm long), painted	A	580,-	191,-	771,-
GG 120/40 (2000 mm long), painted	A	623,-	191,-	814,-
GG 120/50 (1600 mm long), painted	A	550,-	123,-	673,-
GG 120/50 (1800 mm long), painted	A	580,-	191,-	771,-
GG 120/50 (2000 mm long), painted	A	623,-	191,-	814,-
GG 125/45 (1600 mm long), painted	A	550,-	123,-	673,-
GG 125/45 (1800 mm long), painted	A	580,-	191,-	771,-
GG 125/45 (2000 mm long), painted	A	623,-	191,-	814,-
GG 125/50 (1600 mm long), painted	A	550,-	123,-	673,-
GG 125/50 (1800 mm long), painted	A	580,-	191,-	771,-
GG 125/50 (2000 mm long), painted	A	623,-	191,-	814,-
GG 150/50 (1600 mm long), painted	A	612,-	191,-	803,-
GG 150/50 (1800 mm long), painted	A	657,-	191,-	848,-
GG 150/50 (2000 mm long), painted	A	688,-	191,-	879,-
GG 150/70 (1600 mm long), painted	A	612,-	191,-	803,-
GG 150/70 (1800 mm long), painted	A	657,-	191,-	848,-
GG 150/70 (2000 mm long), painted	A	688,-	191,-	879,-

Prices in EUR, valid EXW DE-46354 Südlohn, DE-38820 Halberstadt, unpacked
Freight charges valid CPT Spain, islands and oversea territories excluded

Price List 0424 en-ES

Forklift Truck Attachments



Fork Extensions Type GO	Category	Price	Freight charges	Price including freight charges
GO 80/40 (1600 mm long), painted	A	376,-	123,-	499,-
GO 80/40 (1800 mm long), painted	A	382,-	123,-	505,-
GO 80/40 (2000 mm long), painted	A	397,-	123,-	520,-
GO 100/40 (1600 mm long), painted	A	376,-	123,-	499,-
GO 100/40 (1800 mm long), painted	A	382,-	123,-	505,-
GO 100/40 (2000 mm long), painted	A	397,-	123,-	520,-
GO 100/45 (1600 mm long), painted	A	376,-	123,-	499,-
GO 100/45 (1800 mm long), painted	A	382,-	123,-	505,-
GO 100/45 (2000 mm long), painted	A	397,-	123,-	520,-
GO 100/50 (1600 mm long), painted	A	376,-	123,-	499,-
GO 100/50 (1800 mm long), painted	A	382,-	123,-	505,-
GO 100/50 (2000 mm long), painted	A	397,-	123,-	520,-
GO 120/40 (1600 mm long), painted	A	382,-	123,-	505,-
GO 120/40 (1800 mm long), painted	A	403,-	123,-	526,-
GO 120/40 (2000 mm long), painted	A	420,-	123,-	543,-
GO 120/50 (1600 mm long), painted	A	382,-	123,-	505,-
GO 120/50 (1800 mm long), painted	A	403,-	123,-	526,-
GO 120/50 (2000 mm long), painted	A	420,-	123,-	543,-
GO 125/45 (1600 mm long), painted	A	382,-	123,-	505,-
GO 125/45 (1800 mm long), painted	A	403,-	123,-	526,-
GO 125/45 (2000 mm long), painted	A	420,-	123,-	543,-
GO 125/50 (1600 mm long), painted	A	382,-	123,-	505,-
GO 125/50 (1800 mm long), painted	A	403,-	123,-	526,-
GO 125/50 (2000 mm long), painted	A	420,-	123,-	543,-
GO 150/50 (1600 mm long), painted	A	458,-	123,-	581,-
GO 150/50 (1800 mm long), painted	A	498,-	123,-	621,-
GO 150/50 (2000 mm long), painted	A	536,-	123,-	659,-
GO 150/70 (1600 mm long), painted	A	458,-	123,-	581,-
GO 150/70 (1800 mm long), painted	A	498,-	123,-	621,-
GO 150/70 (2000 mm long), painted	A	536,-	123,-	659,-

Tilting Container Type GU	Category	Price	Freight charges	Price including freight charges
GU 300, painted	A	632,-	191,-	823,-
Lid, galvanized	A	94,-	18,-	112,-
Castor Set, polyamide, Load capacity 1350 kg / castor set	A	185,-	15,-	200,-
Skip Body Welded Oil and Watertight	A	75,-	0,-	75,-
Crane lifting eyes for use with a crane	A	102,-	8,-	110,-
Support legs, 100 mm ground leeway	A	67,-	8,-	75,-
GU 300, hot-dip galvanized	A	836,-	191,-	1027,-
Lid, galvanized	A	94,-	18,-	112,-
Castor Set, polyamide, Load capacity 1350 kg / castor set	A	185,-	15,-	200,-
Skip Body Welded Oil and Watertight	A	75,-	0,-	75,-
Crane lifting eyes for use with a crane	A	102,-	8,-	110,-
Support legs, 100 mm ground leeway	A	67,-	8,-	75,-
GU 500, painted	A	860,-	191,-	1051,-
Lid, galvanized	A	94,-	18,-	112,-

Prices in EUR, valid EXW DE-46354 Südlohn, DE-38820 Halberstadt, unpacked
 Freight charges valid CPT Spain, islands and oversea territories excluded

Price List 0424 en-ES

Forklift Truck Attachments



Tilting Container Type GU	Category	Price	Freight charges	Price including freight charges
Castor Set, polyamide, Load capacity 1350 kg / castor set	A	185,-	15,-	200,-
Skip Body Welded Oil and Watertight	A	75,-	0,-	75,-
Adjustable dumping brake	A	448,-	10,-	458,-
Crane lifting eyes for use with a crane	A	102,-	8,-	110,-
Support legs, 100 mm ground leeway	A	67,-	8,-	75,-
GU 500, hot-dip galvanized	A	1120,-	191,-	1311,-
Lid, galvanized	A	94,-	18,-	112,-
Castor Set, polyamide, Load capacity 1350 kg / castor set	A	185,-	15,-	200,-
Skip Body Welded Oil and Watertight	A	75,-	0,-	75,-
Adjustable dumping brake	A	448,-	10,-	458,-
Crane lifting eyes for use with a crane	A	102,-	8,-	110,-
Support legs, 100 mm ground leeway	A	67,-	8,-	75,-
GU 750, painted	A	1016,-	191,-	1207,-
Lid, galvanized	A	134,-	26,-	160,-
Castor Set, polyamide, Load capacity 1350 kg / castor set	A	185,-	15,-	200,-
Skip Body Welded Oil and Watertight	A	75,-	0,-	75,-
Adjustable dumping brake	A	448,-	10,-	458,-
Crane lifting eyes for use with a crane	A	102,-	8,-	110,-
Support legs, 100 mm ground leeway	A	67,-	8,-	75,-
GU 750, hot-dip galvanized	A	1324,-	191,-	1515,-
Lid, galvanized	A	134,-	26,-	160,-
Castor Set, polyamide, Load capacity 1350 kg / castor set	A	185,-	15,-	200,-
Skip Body Welded Oil and Watertight	A	75,-	0,-	75,-
Adjustable dumping brake	A	448,-	10,-	458,-
Crane lifting eyes for use with a crane	A	102,-	8,-	110,-
Support legs, 100 mm ground leeway	A	67,-	8,-	75,-
GU 1000, painted	A	1123,-	191,-	1314,-
Lid, galvanized	A	185,-	27,-	212,-
Castor Set, polyamide, Load capacity 1350 kg / castor set	A	185,-	15,-	200,-
Skip Body Welded Oil and Watertight	A	116,-	0,-	116,-
Adjustable dumping brake	A	448,-	10,-	458,-
Crane lifting eyes for use with a crane	A	102,-	8,-	110,-
Support legs, 100 mm ground leeway	A	67,-	8,-	75,-
GU 1000, hot-dip galvanized	A	1591,-	277,-	1868,-
Lid, galvanized	A	185,-	27,-	212,-
Castor Set, polyamide, Load capacity 1350 kg / castor set	A	185,-	15,-	200,-
Skip Body Welded Oil and Watertight	A	116,-	0,-	116,-
Adjustable dumping brake	A	448,-	10,-	458,-
Crane lifting eyes for use with a crane	A	102,-	8,-	110,-
Support legs, 100 mm ground leeway	A	67,-	8,-	75,-
GU 1500, painted	A	1311,-	277,-	1588,-
Lid, galvanized	A	185,-	27,-	212,-
Castor Set, polyamide, Load capacity 1350 kg / castor set	A	185,-	15,-	200,-
Skip Body Welded Oil and Watertight	A	116,-	0,-	116,-
Adjustable dumping brake	A	448,-	10,-	458,-
Crane lifting eyes for use with a crane	A	102,-	8,-	110,-

Prices in EUR, valid EXW DE-46354 Südlohn, DE-38820 Halberstadt, unpacked
Freight charges valid CPT Spain, islands and oversea territories excluded

Price List 0424 en-ES

Forklift Truck Attachments



Tilting Container Type GU	Category	Price	Freight charges	Price including freight charges
Support legs, 100 mm ground leeway	A	67,-	8,-	75,-
GU 1500, hot-dip galvanized	A	1709,-	277,-	1986,-
Lid, galvanized	A	185,-	27,-	212,-
Castor Set, polyamide, Load capacity 1350 kg / castor set	A	185,-	15,-	200,-
Skip Body Welded Oil and Watertight	A	116,-	0,-	116,-
Adjustable dumping brake	A	448,-	10,-	458,-
Crane lifting eyes for use with a crane	A	102,-	8,-	110,-
Support legs, 100 mm ground leeway	A	67,-	8,-	75,-
GU 2000, painted	A	1618,-	277,-	1895,-
Lid, galvanized	A	218,-	32,-	250,-
Castor Set, polyamide, Load capacity 1350 kg / castor set	A	185,-	15,-	200,-
Skip Body Welded Oil and Watertight	A	116,-	0,-	116,-
Adjustable dumping brake	A	448,-	10,-	458,-
Crane lifting eyes for use with a crane	A	102,-	8,-	110,-
Support legs, 100 mm ground leeway	A	67,-	8,-	75,-
GU 2000, hot-dip galvanized	A	2125,-	277,-	2402,-
Lid, galvanized	A	218,-	32,-	250,-
Castor Set, polyamide, Load capacity 1350 kg / castor set	A	185,-	15,-	200,-
Skip Body Welded Oil and Watertight	A	116,-	0,-	116,-
Adjustable dumping brake	A	448,-	10,-	458,-
Crane lifting eyes for use with a crane	A	102,-	8,-	110,-
Support legs, 100 mm ground leeway	A	67,-	8,-	75,-
Swarf Tilting Container Type GU-E	Category	Price	Freight charges	Price including freight charges
GU-E 300, painted	A	748,-	191,-	939,-
Lid, galvanized	A	94,-	18,-	112,-
Castor Set, polyamide, Load capacity 1350 kg / castor set	A	185,-	15,-	200,-
Crane lifting eyes for use with a crane	A	102,-	8,-	110,-
Support legs, 100 mm ground leeway	A	67,-	8,-	75,-
GU-E 300, hot-dip galvanized	A	952,-	191,-	1143,-
Lid, galvanized	A	94,-	18,-	112,-
Castor Set, polyamide, Load capacity 1350 kg / castor set	A	185,-	15,-	200,-
Crane lifting eyes for use with a crane	A	102,-	8,-	110,-
Support legs, 100 mm ground leeway	A	67,-	8,-	75,-
GU-E 500, painted	A	977,-	191,-	1168,-
Lid, galvanized	A	94,-	18,-	112,-
Castor Set, polyamide, Load capacity 1350 kg / castor set	A	185,-	15,-	200,-
Adjustable dumping brake	A	448,-	10,-	458,-
Crane lifting eyes for use with a crane	A	102,-	8,-	110,-
Support legs, 100 mm ground leeway	A	67,-	8,-	75,-
GU-E 500, hot-dip galvanized	A	1236,-	191,-	1427,-
Lid, galvanized	A	94,-	18,-	112,-
Castor Set, polyamide, Load capacity 1350 kg / castor set	A	185,-	15,-	200,-
Adjustable dumping brake	A	448,-	10,-	458,-
Crane lifting eyes for use with a crane	A	102,-	8,-	110,-
Support legs, 100 mm ground leeway	A	67,-	8,-	75,-

Prices in EUR, valid EXW DE-46354 Südlohn, DE-38820 Halberstadt, unpacked
Freight charges valid CPT Spain, islands and oversea territories excluded

Price List 0424 en-ES

Forklift Truck Attachments



Swarf Tilting Container Type GU-E	Category	Price	Freight charges	Price including freight charges
GU-E 750, painted	A	1132,-	191,-	1323,-
Lid, galvanized	A	134,-	26,-	160,-
Castor Set, polyamide, Load capacity 1350 kg / castor set	A	185,-	15,-	200,-
Adjustable dumping brake	A	448,-	10,-	458,-
Crane lifting eyes for use with a crane	A	102,-	8,-	110,-
Support legs, 100 mm ground leeway	A	67,-	8,-	75,-
GU-E 750, hot-dip galvanized	A	1440,-	191,-	1631,-
Lid, galvanized	A	134,-	26,-	160,-
Castor Set, polyamide, Load capacity 1350 kg / castor set	A	185,-	15,-	200,-
Adjustable dumping brake	A	448,-	10,-	458,-
Crane lifting eyes for use with a crane	A	102,-	8,-	110,-
Support legs, 100 mm ground leeway	A	67,-	8,-	75,-
GU-E 1000, painted	A	1280,-	191,-	1471,-
Lid, galvanized	A	185,-	27,-	212,-
Castor Set, polyamide, Load capacity 1350 kg / castor set	A	185,-	15,-	200,-
Adjustable dumping brake	A	448,-	10,-	458,-
Crane lifting eyes for use with a crane	A	102,-	8,-	110,-
Support legs, 100 mm ground leeway	A	67,-	8,-	75,-
GU-E 1000, hot-dip galvanized	A	1748,-	277,-	2025,-
Lid, galvanized	A	185,-	27,-	212,-
Castor Set, polyamide, Load capacity 1350 kg / castor set	A	185,-	15,-	200,-
Adjustable dumping brake	A	448,-	10,-	458,-
Crane lifting eyes for use with a crane	A	102,-	8,-	110,-
Support legs, 100 mm ground leeway	A	67,-	8,-	75,-
GU-E 1500, painted	A	1468,-	277,-	1745,-
Lid, galvanized	A	185,-	27,-	212,-
Castor Set, polyamide, Load capacity 1350 kg / castor set	A	185,-	15,-	200,-
Adjustable dumping brake	A	448,-	10,-	458,-
Crane lifting eyes for use with a crane	A	102,-	8,-	110,-
Support legs, 100 mm ground leeway	A	67,-	8,-	75,-
GU-E 1500, hot-dip galvanized	A	1866,-	277,-	2143,-
Lid, galvanized	A	185,-	27,-	212,-
Castor Set, polyamide, Load capacity 1350 kg / castor set	A	185,-	15,-	200,-
Adjustable dumping brake	A	448,-	10,-	458,-
Crane lifting eyes for use with a crane	A	102,-	8,-	110,-
Support legs, 100 mm ground leeway	A	67,-	8,-	75,-
GU-E 2000, painted	A	1775,-	277,-	2052,-
Lid, galvanized	A	218,-	32,-	250,-
Castor Set, polyamide, Load capacity 1350 kg / castor set	A	185,-	15,-	200,-
Adjustable dumping brake	A	448,-	10,-	458,-
Crane lifting eyes for use with a crane	A	102,-	8,-	110,-
Support legs, 100 mm ground leeway	A	67,-	8,-	75,-
GU-E 2000, hot-dip galvanized	A	2282,-	277,-	2559,-
Lid, galvanized	A	218,-	32,-	250,-
Castor Set, polyamide, Load capacity 1350 kg / castor set	A	185,-	15,-	200,-
Adjustable dumping brake	A	448,-	10,-	458,-

Prices in EUR, valid EXW DE-46354 Südlohn, DE-38820 Halberstadt, unpacked
Freight charges valid CPT Spain, islands and oversea territories excluded

Price List 0424 en-ES

Forklift Truck Attachments



Swarf Tilting Container Type GU-E	Category	Price	Freight charges	Price including freight charges
Crane lifting eyes for use with a crane	A	102,-	8,-	110,-
Support legs, 100 mm ground leeway	A	67,-	8,-	75,-
Tilting Container Type GU-RZ	Category	Price	Freight charges	Price including freight charges
GU-RZ 30, painted	A	675,-	191,-	866,-
Lid, galvanized	A	91,-	18,-	109,-
GU-RZ 30, hot-dip galvanized	A	752,-	191,-	943,-
Lid, galvanized	A	91,-	18,-	109,-
GU-RZ 55, painted	A	899,-	191,-	1090,-
Lid, galvanized	A	91,-	18,-	109,-
GU-RZ 55, hot-dip galvanized	A	991,-	191,-	1182,-
Lid, galvanized	A	91,-	18,-	109,-
Fork Protection Type GZS	Category	Price	Freight charges	Price including freight charges
GZS, painted	F	172,-	60,-	232,-
Container With Drop Away Base Type HKB	Category	Price	Freight charges	Price including freight charges
HKB 60, painted	A	1041,-	191,-	1232,-
HKB 60, hot-dip galvanized	A	1220,-	191,-	1411,-
HKB 70, painted	A	1101,-	191,-	1292,-
HKB 70, hot-dip galvanized	A	1295,-	191,-	1486,-
HKB 90, painted	A	1369,-	191,-	1560,-
HKB 90, hot-dip galvanized	A	1636,-	277,-	1913,-
Shovel Type HVR	Category	Price	Freight charges	Price including freight charges
HVR 50, painted	A	3278,-	277,-	3555,-
HVR 75, painted	A	3841,-	340,-	4181,-
HVR 80 L, painted	A	3956,-	340,-	4296,-
HVR 100, painted	A	4862,-	476,-	5338,-
HVR 150, painted	A	6214,-	476,-	6690,-
Kippomat Type KG-A	Category	Price	Freight charges	Price including freight charges
KG-A, hot-dip galvanized	A	3109,-	277,-	3386,-
Kippomat Type KG-B	Category	Price	Freight charges	Price including freight charges
KG-B, hot-dip galvanized	A	3030,-	277,-	3307,-
Kippomat Type KG-C	Category	Price	Freight charges	Price including freight charges
KG-C, hot-dip galvanized	A	2010,-	191,-	2201,-
Tipping Skip Type KK	Category	Price	Freight charges	Price including freight charges
KK 250, painted	E	467,-	123,-	590,-
Lid, galvanized	E	131,-	15,-	146,-
Castor Set, polyamide, Load capacity 1050 kg / castor set	A	131,-	15,-	146,-

Prices in EUR, valid EXW DE-46354 Südlohn, DE-38820 Halberstadt, unpacked
Freight charges valid CPT Spain, islands and oversea territories excluded

Price List 0424 en-ES

Forklift Truck Attachments



Tipping Skip Type KK	Category	Price	Freight charges	Price including freight charges
Castor Set, solid rubber, Load capacity 615 kg / castor set	E	99,-	15,-	114,-
KK 250, hot-dip galvanized	E	515,-	123,-	638,-
Lid, galvanized	E	131,-	15,-	146,-
Castor Set, polyamide, Load capacity 1050 kg / castor set	A	131,-	15,-	146,-
Castor Set, solid rubber, Load capacity 615 kg / castor set	E	99,-	15,-	114,-
KK 400, painted	E	532,-	123,-	655,-
Lid, galvanized	E	150,-	16,-	166,-
Castor Set, polyamide, Load capacity 1050 kg / castor set	A	131,-	15,-	146,-
Castor Set, solid rubber, Load capacity 615 kg / castor set	E	99,-	15,-	114,-
KK 400, hot-dip galvanized	E	579,-	123,-	702,-
Lid, galvanized	E	150,-	16,-	166,-
Castor Set, polyamide, Load capacity 1050 kg / castor set	A	131,-	15,-	146,-
Castor Set, solid rubber, Load capacity 615 kg / castor set	E	99,-	15,-	114,-
KK 600, painted	E	738,-	191,-	929,-
Lid, galvanized	E	167,-	20,-	187,-
Castor Set, polyamide, Load capacity 1050 kg / castor set	A	131,-	15,-	146,-
Castor Set, solid rubber, Load capacity 615 kg / castor set	E	99,-	15,-	114,-
KK 600, hot-dip galvanized	E	835,-	191,-	1026,-
Castor Set, solid rubber, Load capacity 615 kg / castor set	E	99,-	15,-	114,-
Lid, galvanized	E	167,-	20,-	187,-
Castor Set, polyamide, Load capacity 1050 kg / castor set	A	131,-	15,-	146,-
KK 800, painted	E	795,-	191,-	986,-
Lid, galvanized	E	174,-	21,-	195,-
Castor Set, polyamide, Load capacity 1050 kg / castor set	A	131,-	15,-	146,-
Castor Set, solid rubber, Load capacity 615 kg / castor set	E	99,-	15,-	114,-
KK 800, hot-dip galvanized	E	898,-	191,-	1089,-
Lid, galvanized	E	174,-	21,-	195,-
Castor Set, polyamide, Load capacity 1050 kg / castor set	A	131,-	15,-	146,-
Castor Set, solid rubber, Load capacity 615 kg / castor set	E	99,-	15,-	114,-
KK 1000, painted	E	851,-	191,-	1042,-
Lid, galvanized	E	186,-	22,-	208,-
Castor Set, polyamide, Load capacity 1050 kg / castor set	A	131,-	15,-	146,-
Castor Set, solid rubber, Load capacity 615 kg / castor set	E	99,-	15,-	114,-
KK 1000, hot-dip galvanized	E	979,-	191,-	1170,-
Lid, galvanized	E	186,-	22,-	208,-
Castor Set, polyamide, Load capacity 1050 kg / castor set	A	131,-	15,-	146,-
Castor Set, solid rubber, Load capacity 615 kg / castor set	E	99,-	15,-	114,-
Kippomat Type KM	Category	Price	Freight charges	Price including freight charges
KM, hot-dip galvanized	A	3109,-	191,-	3300,-
Tipping Skip Type KN	Category	Price	Freight charges	Price including freight charges
KN 250, painted	E	467,-	123,-	590,-
Lid, galvanized	E	131,-	15,-	146,-
Castor Set, polyamide, Load capacity 1050 kg / castor set	A	131,-	15,-	146,-

Prices in EUR, valid EXW DE-46354 Südlohn, DE-38820 Halberstadt, unpacked
Freight charges valid CPT Spain, islands and oversea territories excluded

Price List 0424 en-ES

Forklift Truck Attachments



Tipping Skip Type KN	Category	Price	Freight charges	Price including freight charges
Castor Set, solid rubber, Load capacity 615 kg / castor set	E	99,-	15,-	114,-
KN 250, hot-dip galvanized	E	515,-	123,-	638,-
Lid, galvanized	E	131,-	15,-	146,-
Castor Set, polyamide, Load capacity 1050 kg / castor set	A	131,-	15,-	146,-
Castor Set, solid rubber, Load capacity 615 kg / castor set	E	99,-	15,-	114,-
KN 400, painted	E	532,-	123,-	655,-
Lid, galvanized	E	150,-	16,-	166,-
Castor Set, polyamide, Load capacity 1050 kg / castor set	A	131,-	15,-	146,-
Castor Set, solid rubber, Load capacity 615 kg / castor set	E	99,-	15,-	114,-
KN 400, hot-dip galvanized	E	579,-	123,-	702,-
Lid, galvanized	E	150,-	16,-	166,-
Castor Set, polyamide, Load capacity 1050 kg / castor set	A	131,-	15,-	146,-
Castor Set, solid rubber, Load capacity 615 kg / castor set	E	99,-	15,-	114,-
Tipping Skip Type KS	Category	Price	Freight charges	Price including freight charges
KS 400, painted	E	869,-	191,-	1060,-
KS 550, painted	E	931,-	191,-	1122,-
KS 700, painted	E	989,-	191,-	1180,-
Extensible Crane Arm Type KT	Category	Price	Freight charges	Price including freight charges
KT 2,5, painted	A	1399,-	191,-	1590,-
KT 2,5, hot-dip galvanized	A	1703,-	277,-	1980,-
KT 5,0, painted	A	1737,-	277,-	2014,-
KT 5,0, hot-dip galvanized	A	2166,-	277,-	2443,-
Extensible Crane Arm Type KTH	Category	Price	Freight charges	Price including freight charges
KTH 2,5, painted	A	1688,-	277,-	1965,-
KTH 2,5, hot-dip galvanized	A	1998,-	277,-	2275,-
KTH 5,0, painted	A	1943,-	277,-	2220,-
KTH 5,0, hot-dip galvanized	A	2292,-	277,-	2569,-
Extensible Crane Arm Type KTH-K	Category	Price	Freight charges	Price including freight charges
KTH-K 2,5, painted	A	1551,-	191,-	1742,-
KTH-K 2,5, hot-dip galvanized	A	1877,-	191,-	2068,-
KTH-K 5,0, painted	A	1789,-	191,-	1980,-
KTH-K 5,0, hot-dip galvanized	A	2156,-	277,-	2433,-
Extensible Crane Arm Type KT-K	Category	Price	Freight charges	Price including freight charges
KT-K 2,5, painted	A	1247,-	191,-	1438,-
KT-K 2,5, hot-dip galvanized	A	1567,-	191,-	1758,-
KT-K 5,0, painted	A	1570,-	191,-	1761,-
KT-K 5,0, hot-dip galvanized	A	2021,-	191,-	2212,-
Barrow Tipper Type KW-ET	Category	Price	Freight charges	Price including freight charges
KW-ET 250, painted	E	568,-	123,-	691,-

Prices in EUR, valid EXW DE-46354 Südlohn, DE-38820 Halberstadt, unpacked
Freight charges valid CPT Spain, islands and oversea territories excluded

Price List 0424 en-ES

Forklift Truck Attachments



Barrow Tipper Type KW-ET	Category	Price	Freight charges	Price including freight charges
Lid, galvanized	E	131,-	15,-	146,-
KW-ET 250, hot-dip galvanized	E	869,-	123,-	992,-
Lid, galvanized	E	131,-	15,-	146,-
KW-ET 400, painted	E	626,-	123,-	749,-
Lid, galvanized	E	150,-	16,-	166,-
KW-ET 400, hot-dip galvanized	E	964,-	123,-	1087,-
Lid, galvanized	E	150,-	16,-	166,-
KW-ET 600, painted	E	780,-	191,-	971,-
Lid, galvanized	E	167,-	20,-	187,-
KW-ET 600, hot-dip galvanized	E	1126,-	191,-	1317,-
Lid, galvanized	E	167,-	20,-	187,-
KW-ET 1000, painted	E	963,-	191,-	1154,-
Lid, galvanized	E	186,-	22,-	208,-
KW-ET 1000, hot-dip galvanized	E	1537,-	191,-	1728,-
Lid, galvanized	E	186,-	22,-	208,-

Loading Arm Type LA	Category	Price	Freight charges	Price including freight charges
LA 1600-1,0, painted	A	523,-	123,-	646,-
LA 1600-1,0, hot-dip galvanized	A	561,-	123,-	684,-
LA 1600-2,5, painted	A	759,-	123,-	882,-
LA 1600-2,5, hot-dip galvanized	A	895,-	123,-	1018,-
LA 1600-5,0, painted	A	1094,-	191,-	1285,-
LA 1600-5,0, hot-dip galvanized	A	1280,-	191,-	1471,-
LA 2400-1,0, painted	A	549,-	123,-	672,-
LA 2400-1,0, hot-dip galvanized	A	610,-	123,-	733,-
LA 2400-2,5, painted	A	847,-	191,-	1038,-
LA 2400-2,5, hot-dip galvanized	A	982,-	191,-	1173,-
LA 2400-5,0, painted	A	1207,-	191,-	1398,-
LA 2400-5,0, hot-dip galvanized	A	1429,-	191,-	1620,-
LA 25-1,0, painted	A	610,-	123,-	733,-
LA 25-1,0, hot-dip galvanized	A	659,-	123,-	782,-

Loading Arm Type LAT	Category	Price	Freight charges	Price including freight charges
LAT 25-1,0, painted	A	740,-	123,-	863,-
LAT 25-1,0, hot-dip galvanized	A	809,-	123,-	932,-

Scissor Gripper Type LG	Category	Price	Freight charges	Price including freight charges
LG 60, painted	B	236,-	60,-	296,-
LG 60, galvanized	B	215,-	60,-	275,-
LG 200, painted	B	236,-	60,-	296,-
LG 200, galvanized	B	215,-	60,-	275,-

Container for Long Material Type LGK	Category	Price	Freight charges	Price including freight charges
LGK, painted	A	1329,-	191,-	1520,-
Castor Set, polyamide, Load capacity 1350 kg / castor set	A	185,-	15,-	200,-

Prices in EUR, valid EXW DE-46354 Südlohn, DE-38820 Halberstadt, unpacked
Freight charges valid CPT Spain, islands and oversea territories excluded

Price List 0424 en-ES

Forklift Truck Attachments



Container for Long Material Type LGK	Category	Price	Freight charges	Price including freight charges
LGK, hot-dip galvanized	A	1619,-	191,-	1810,-
Castor Set, polyamide, Load capacity 1350 kg / castor set	A	185,-	15,-	200,-

Long Material Carrier Type LGT	Category	Price	Freight charges	Price including freight charges
LGT 1,5, painted	A	1863,-	277,-	2140,-
LGT 1,5, hot-dip galvanized	A	2186,-	277,-	2463,-
LGT 2,5, painted	A	2090,-	on request	on request
LGT 2,5, hot-dip galvanized	A	2502,-	on request	on request
LGT 3,5, painted	A	2887,-	on request	on request
LGT 3,5, hot-dip galvanized	A	3545,-	on request	on request
LGT 4,5, painted	A	3190,-	on request	on request
LGT 4,5, hot-dip galvanized	A	3933,-	on request	on request

Drum Claw Type LGZ	Category	Price	Freight charges	Price including freight charges
LGZ 60, painted	B	217,-	60,-	277,-
LGZ 60, galvanized	B	203,-	60,-	263,-
LGZ 200, painted	B	217,-	60,-	277,-
LGZ 200, galvanized	B	203,-	60,-	263,-

Crane Hook Type LH	Category	Price	Freight charges	Price including freight charges
LH-I 1,0, painted	A	192,-	60,-	252,-
LH-I 1,0, hot-dip galvanized	A	215,-	60,-	275,-
LH-I 1,5, painted	A	210,-	60,-	270,-
LH-I 1,5, hot-dip galvanized	A	233,-	60,-	293,-
LH-I 2,0, painted	A	221,-	60,-	281,-
LH-I 2,0, hot-dip galvanized	A	245,-	60,-	305,-
LH-I 2,5, painted	A	246,-	60,-	306,-
LH-I 2,5, hot-dip galvanized	A	269,-	60,-	329,-
LH-I 3,0, painted	A	319,-	60,-	379,-
LH-I 3,0, hot-dip galvanized	A	343,-	60,-	403,-
LH-II 1,5, painted	A	317,-	60,-	377,-
LH-II 1,5, hot-dip galvanized	A	365,-	60,-	425,-
LH-II 2,5, painted	A	419,-	60,-	479,-
LH-II 2,5, hot-dip galvanized	A	498,-	60,-	558,-
LH-II 5,0, painted	A	695,-	123,-	818,-
LH-II 5,0, hot-dip galvanized	A	780,-	123,-	903,-
LH-II 7,5, painted	A	827,-	123,-	950,-
LH-II 7,5, hot-dip galvanized	A	916,-	123,-	1039,-

Long Load Handler Type LSL	Category	Price	Freight charges	Price including freight charges
LSL, painted	A	1102,-	191,-	1293,-
LSL, hot-dip galvanized	A	1265,-	191,-	1456,-

Long Material Sidecar Type LSW	Category	Price	Freight charges	Price including freight charges
LSW 1,3, painted	A	920,-	123,-	1043,-

Prices in EUR, valid EXW DE-46354 Südlohn, DE-38820 Halberstadt, unpacked
 Freight charges valid CPT Spain, islands and oversea territories excluded

Price List 0424 en-ES

Forklift Truck Attachments



Long Material Sidecar Type LSW	Category	Price	Freight charges	Price including freight charges
LSW 1,3, hot-dip galvanized	A	982,-	191,-	1173,-
LSW 2,5, painted	A	1093,-	123,-	1216,-
LSW 2,5, hot-dip galvanized	A	1156,-	191,-	1347,-
Access Safety Platform Type MB-B	Category	Price	Freight charges	Price including freight charges
MB-B, painted	A	1048,-	191,-	1239,-
Castor Set, polyamide, Load capacity 1050 kg / castor set	A	131,-	15,-	146,-
Access Safety Platform Type MB-B/L	Category	Price	Freight charges	Price including freight charges
MB-B/L, painted	A	1230,-	191,-	1421,-
Castor Set, polyamide, Load capacity 1050 kg / castor set	A	131,-	15,-	146,-
Access Safety Platform Type MB-D	Category	Price	Freight charges	Price including freight charges
MB-D, painted	A	877,-	191,-	1068,-
Castor Set, polyamide, Load capacity 1050 kg / castor set	A	131,-	15,-	146,-
Access Safety Platform Type MB-D/L	Category	Price	Freight charges	Price including freight charges
MB-D/L, painted	A	1058,-	191,-	1249,-
Castor Set, polyamide, Load capacity 1050 kg / castor set	A	131,-	15,-	146,-
Access Safety Platform Type MB-F	Category	Price	Freight charges	Price including freight charges
MB-F, painted	A	1037,-	191,-	1228,-
Castor Set, polyamide, Load capacity 1050 kg / castor set	A	131,-	15,-	146,-
Access Safety Platform Type MB-II	Category	Price	Freight charges	Price including freight charges
MB-II, painted	A	960,-	191,-	1151,-
Castor Set, polyamide, Load capacity 1050 kg / castor set	A	131,-	15,-	146,-
MB-II, hot-dip galvanized	A	1131,-	191,-	1322,-
Castor Set, polyamide, Load capacity 1050 kg / castor set	A	131,-	15,-	146,-
Access Safety Platform Type MB-K-IV	Category	Price	Freight charges	Price including freight charges
MB-K-IV, painted	A	1943,-	241,-	2184,-
Access Safety Platform Type MB-ST	Category	Price	Freight charges	Price including freight charges
MB-ST, painted	A	2488,-	191,-	2679,-
Castor Set, polyamide, Load capacity 1050 kg / castor set	A	131,-	15,-	146,-
Access Safety Platform Type MB-ST/L	Category	Price	Freight charges	Price including freight charges
MB-ST/L, painted	A	2670,-	191,-	2861,-
Castor Set, polyamide, Load capacity 1050 kg / castor set	A	131,-	15,-	146,-
Access Safety Platform Type MB-ST/T	Category	Price	Freight charges	Price including freight charges
MB-ST/T, painted	A	2804,-	191,-	2995,-
Castor Set, polyamide, Load capacity 1050 kg / castor set	A	131,-	15,-	146,-

Prices in EUR, valid EXW DE-46354 Südlohn, DE-38820 Halberstadt, unpacked
Freight charges valid CPT Spain, islands and oversea territories excluded

Price List 0424 en-ES

Forklift Truck Attachments



Access Safety Platform Type MB-ST/T/L	Category	Price	Freight charges	Price including freight charges
MB-ST/T/L, painted	A	2987,-	191,-	3178,-
Castor Set, polyamide, Load capacity 1050 kg / castor set	A	131,-	15,-	146,-

Mini Tilting Container Type MGU	Category	Price	Freight charges	Price including freight charges
MGU 230, painted	A	549,-	123,-	672,-
Lid, galvanized	A	126,-	18,-	144,-
Castor Set, polyamide, Load capacity 1050 kg / castor set	A	150,-	15,-	165,-
Skip Body Welded Oil and Watertight	A	75,-	0,-	75,-
MGU 230, hot-dip galvanized	A	632,-	191,-	823,-
Lid, galvanized	A	126,-	18,-	144,-
Castor Set, polyamide, Load capacity 1050 kg / castor set	A	150,-	15,-	165,-
Skip Body Welded Oil and Watertight	A	75,-	0,-	75,-
MGU 270, painted	A	600,-	191,-	791,-
Lid, galvanized	A	126,-	18,-	144,-
Castor Set, polyamide, Load capacity 1050 kg / castor set	A	150,-	15,-	165,-
Skip Body Welded Oil and Watertight	A	75,-	0,-	75,-
MGU 270, hot-dip galvanized	A	704,-	191,-	895,-
Lid, galvanized	A	126,-	18,-	144,-
Castor Set, polyamide, Load capacity 1050 kg / castor set	A	150,-	15,-	165,-
Skip Body Welded Oil and Watertight	A	75,-	0,-	75,-
MGU 460, painted	A	787,-	191,-	978,-
Lid, galvanized	A	163,-	22,-	185,-
Castor Set, polyamide, Load capacity 1050 kg / castor set	A	150,-	15,-	165,-
Skip Body Welded Oil and Watertight	A	75,-	0,-	75,-
MGU 460, hot-dip galvanized	A	934,-	191,-	1125,-
Lid, galvanized	A	163,-	22,-	185,-
Castor Set, polyamide, Load capacity 1050 kg / castor set	A	150,-	15,-	165,-
Skip Body Welded Oil and Watertight	A	75,-	0,-	75,-
MGU 610, painted	A	887,-	191,-	1078,-
Lid, galvanized	A	174,-	26,-	200,-
Castor Set, polyamide, Load capacity 1050 kg / castor set	A	150,-	15,-	165,-
Skip Body Welded Oil and Watertight	A	75,-	0,-	75,-
MGU 610, hot-dip galvanized	A	1052,-	191,-	1243,-
Lid, galvanized	A	174,-	26,-	200,-
Castor Set, polyamide, Load capacity 1050 kg / castor set	A	150,-	15,-	165,-
Skip Body Welded Oil and Watertight	A	75,-	0,-	75,-

Wheelie Bin Jack Type MH	Category	Price	Freight charges	Price including freight charges
MH-I, painted	A	634,-	123,-	757,-
MH-II, painted	A	700,-	123,-	823,-
MH-III, painted	A	757,-	123,-	880,-

Wheelie Bin Tipper Type MK	Category	Price	Freight charges	Price including freight charges
MK 120, painted	A	1229,-	123,-	1352,-
MK 240, painted	A	1229,-	123,-	1352,-

Prices in EUR, valid EXW DE-46354 Südlohn, DE-38820 Halberstadt, unpacked
 Freight charges valid CPT Spain, islands and oversea territories excluded

Price List 0424 en-ES

Forklift Truck Attachments



Wheeler Bin Tipper Type MK-H	Category	Price	Freight charges	Price including freight charges
MK-H 120, painted	A	1837,-	123,-	1960,-
MK-H 240, painted	A	1837,-	191,-	2028,-

Mini Container With Drop Away Base Type MSB	Category	Price	Freight charges	Price including freight charges
MSB 150, painted	A	614,-	123,-	737,-
Castor Set, polyamide, Load capacity 1050 kg / castor set	A	150,-	15,-	165,-
Guiding Plates, galvanized	A	70,-	12,-	82,-
MSB 150, hot-dip galvanized	A	720,-	123,-	843,-
Castor Set, polyamide, Load capacity 1050 kg / castor set	A	150,-	15,-	165,-
Guiding Plates, galvanized	A	70,-	12,-	82,-
MSB 250, painted	A	666,-	123,-	789,-
Castor Set, polyamide, Load capacity 1050 kg / castor set	A	150,-	15,-	165,-
Guiding Plates, galvanized	A	70,-	12,-	82,-
MSB 250, hot-dip galvanized	A	798,-	123,-	921,-
Castor Set, polyamide, Load capacity 1050 kg / castor set	A	150,-	15,-	165,-
Guiding Plates, galvanized	A	70,-	12,-	82,-
MSB 400, painted	A	821,-	191,-	1012,-
Castor Set, polyamide, Load capacity 1050 kg / castor set	A	150,-	15,-	165,-
Guiding Plates, galvanized	A	70,-	12,-	82,-
MSB 400, hot-dip galvanized	A	983,-	191,-	1174,-
Castor Set, polyamide, Load capacity 1050 kg / castor set	A	150,-	15,-	165,-
Guiding Plates, galvanized	A	70,-	12,-	82,-

Tilting Container Type NK	Category	Price	Freight charges	Price including freight charges
NK 30, painted	A	676,-	191,-	867,-
Lid, galvanized	A	94,-	15,-	109,-
Castor Set, polyamide, Load capacity 1350 kg / castor set	A	185,-	15,-	200,-
Skip Body Welded Oil and Watertight	A	75,-	0,-	75,-
NK 30, hot-dip galvanized	A	950,-	191,-	1141,-
Lid, galvanized	A	94,-	15,-	109,-
Castor Set, polyamide, Load capacity 1350 kg / castor set	A	185,-	15,-	200,-
Skip Body Welded Oil and Watertight	A	75,-	0,-	75,-
NK 50, painted	A	950,-	191,-	1141,-
Lid, galvanized	A	94,-	18,-	112,-
Castor Set, polyamide, Load capacity 1350 kg / castor set	A	185,-	15,-	200,-
Skip Body Welded Oil and Watertight	A	75,-	0,-	75,-
NK 50, hot-dip galvanized	A	1282,-	191,-	1473,-
Lid, galvanized	A	94,-	18,-	112,-
Castor Set, polyamide, Load capacity 1350 kg / castor set	A	185,-	15,-	200,-
Skip Body Welded Oil and Watertight	A	75,-	0,-	75,-
NK 75, painted	A	1077,-	277,-	1354,-
Lid, galvanized	A	137,-	22,-	159,-
Castor Set, polyamide, Load capacity 1350 kg / castor set	A	185,-	15,-	200,-
Skip Body Welded Oil and Watertight	A	75,-	0,-	75,-
NK 75, hot-dip galvanized	A	1684,-	277,-	1961,-

Prices in EUR, valid EXW DE-46354 Südlohn, DE-38820 Halberstadt, unpacked
Freight charges valid CPT Spain, islands and oversea territories excluded

Price List 0424 en-ES

Forklift Truck Attachments



Tilting Container Type NK	Category	Price	Freight charges	Price including freight charges
Lid, galvanized	A	137,-	22,-	159,-
Castor Set, polyamide, Load capacity 1350 kg / castor set	A	185,-	15,-	200,-
Skip Body Welded Oil and Watertight	A	75,-	0,-	75,-
NK 100, painted	A	1457,-	277,-	1734,-
Lid, galvanized	A	167,-	27,-	194,-
Castor Set, polyamide, Load capacity 1350 kg / castor set	A	185,-	15,-	200,-
Skip Body Welded Oil and Watertight	A	116,-	0,-	116,-
NK 100, hot-dip galvanized	A	2000,-	277,-	2277,-
Lid, galvanized	A	167,-	27,-	194,-
Castor Set, polyamide, Load capacity 1350 kg / castor set	A	185,-	15,-	200,-
Skip Body Welded Oil and Watertight	A	116,-	0,-	116,-

Cylindrical Container Type RB	Category	Price	Freight charges	Price including freight charges
RB 300, painted	A	656,-	123,-	779,-
Lid, aluminium	A	154,-	14,-	168,-
Castor Set, polyamide, Load capacity 1050 kg / castor set	A	150,-	15,-	165,-
RB 300, hot-dip galvanized	A	763,-	123,-	886,-
Lid, aluminium	A	154,-	14,-	168,-
Castor Set, polyamide, Load capacity 1050 kg / castor set	A	150,-	15,-	165,-
RB 450, painted	A	766,-	123,-	889,-
Lid, aluminium	A	154,-	14,-	168,-
Castor Set, polyamide, Load capacity 1050 kg / castor set	A	150,-	15,-	165,-
RB 450, hot-dip galvanized	A	895,-	123,-	1018,-
Lid, aluminium	A	154,-	14,-	168,-
Castor Set, polyamide, Load capacity 1050 kg / castor set	A	150,-	15,-	165,-

Tilting Container Type RD	Category	Price	Freight charges	Price including freight charges
RD 750, painted	A	1161,-	277,-	1438,-
Castor Set, polyamide, Load capacity 1350 kg / castor set	A	185,-	15,-	200,-
Skip Body Welded Oil and Watertight	A	75,-	0,-	75,-
RD 750, hot-dip galvanized	A	1547,-	277,-	1824,-
Castor Set, polyamide, Load capacity 1350 kg / castor set	A	185,-	15,-	200,-
Skip Body Welded Oil and Watertight	A	75,-	0,-	75,-
RD 1000, painted	A	1400,-	277,-	1677,-
Castor Set, polyamide, Load capacity 1350 kg / castor set	A	185,-	15,-	200,-
Skip Body Welded Oil and Watertight	A	116,-	0,-	116,-
RD 1000, hot-dip galvanized	A	1867,-	277,-	2144,-
Castor Set, polyamide, Load capacity 1350 kg / castor set	A	185,-	15,-	200,-
Skip Body Welded Oil and Watertight	A	116,-	0,-	116,-

Platform for Off-Cuts Type RGP	Category	Price	Freight charges	Price including freight charges
RGP-1, painted	A	2354,-	on request	on request
RGP-1, hot-dip galvanized	A	3012,-	on request	on request
RGP-2, painted	A	2578,-	on request	on request
RGP-2, hot-dip galvanized	A	3437,-	on request	on request

Prices in EUR, valid EXW DE-46354 Südlohn, DE-38820 Halberstadt, unpacked
Freight charges valid CPT Spain, islands and oversea territories excluded

Price List 0424 en-ES

Forklift Truck Attachments



Platform for Off-Cuts Type RGP	Category	Price	Freight charges	Price including freight charges
RGP-3, painted	A	2808,-	on request	on request
RGP-3, hot-dip galvanized	A	3783,-	on request	on request
Shunting Aid Type RH	Category	Price	Freight charges	Price including freight charges
RH, painted	A	411,-	60,-	471,-
Shunting Aid Type RH-AC	Category	Price	Freight charges	Price including freight charges
RH-AC, painted	A	2227,-	277,-	2504,-
Shunting Aid Type RH-RA	Category	Price	Freight charges	Price including freight charges
RH-RA, painted	A	1532,-	123,-	1655,-
Shunting Aid Type RH-RAK	Category	Price	Freight charges	Price including freight charges
RH-RAK, painted	A	1633,-	123,-	1756,-
Shunting Aid Type RH-RM	Category	Price	Freight charges	Price including freight charges
RH-RM, painted	A	1138,-	123,-	1261,-
Shunting Aid Type RH-RMK	Category	Price	Freight charges	Price including freight charges
RH-RMK, painted	A	1241,-	123,-	1364,-
Drum Lifter Type RS 60	Category	Price	Freight charges	Price including freight charges
RS 60-I, painted	B	978,-	123,-	1101,-
RS 60-I, hot-dip galvanized	B	1039,-	123,-	1162,-
RS 60-II, painted	B	1655,-	123,-	1778,-
RS 60-II, hot-dip galvanized	B	1737,-	123,-	1860,-
Drum Lifter Type RS	Category	Price	Freight charges	Price including freight charges
RS-I/91, painted	B	1643,-	191,-	1834,-
RS-I/91, hot-dip galvanized	B	1879,-	191,-	2070,-
RS-II/91, painted	B	2848,-	191,-	3039,-
RS-II/91, hot-dip galvanized	B	3207,-	191,-	3398,-
RS-I/M, painted	B	1503,-	123,-	1626,-
RS-I/M, hot-dip galvanized	B	1737,-	191,-	1928,-
RS-II/M, painted	B	2572,-	191,-	2763,-
RS-II/M, hot-dip galvanized	B	2927,-	191,-	3118,-
Drum Lifter Type RS/D 91	Category	Price	Freight charges	Price including freight charges
RS-I/D 91, painted	B	1437,-	191,-	1628,-
RS-I/D 91, hot-dip galvanized	B	1671,-	191,-	1862,-
RS-II/D 91, painted	B	2435,-	191,-	2626,-
RS-II/D 91, hot-dip galvanized	B	2789,-	191,-	2980,-

Prices in EUR, valid EXW DE-46354 Südlohn, DE-38820 Halberstadt, unpacked
Freight charges valid CPT Spain, islands and oversea territories excluded

Price List 0424 en-ES

Forklift Truck Attachments



Swarf Tilting Container Type S3S	Category	Price	Freight charges	Price including freight charges
S3S 300, painted	A	1311,-	191,-	1502,-
Lid, galvanized	A	168,-	18,-	186,-
Castor Set, polyamide, Load capacity 1050 kg / castor set	A	131,-	15,-	146,-
S3S 300, hot-dip galvanized	A	1404,-	277,-	1681,-
Lid, galvanized	A	168,-	18,-	186,-
Castor Set, polyamide, Load capacity 1050 kg / castor set	A	131,-	15,-	146,-
S3S 600, painted	A	1365,-	277,-	1642,-
Lid, galvanized	A	189,-	22,-	211,-
Castor Set, polyamide, Load capacity 1050 kg / castor set	A	131,-	15,-	146,-
S3S 600, hot-dip galvanized	A	1462,-	277,-	1739,-
Lid, galvanized	A	189,-	22,-	211,-
Castor Set, polyamide, Load capacity 1050 kg / castor set	A	131,-	15,-	146,-
Swarf Tilting Container Type S4A	Category	Price	Freight charges	Price including freight charges
S4A 600, painted	A	1228,-	191,-	1419,-
Lid, galvanized	A	189,-	22,-	211,-
S4A 600, hot-dip galvanized	A	1370,-	191,-	1561,-
Lid, galvanized	A	189,-	22,-	211,-
S4A 900, painted	A	1360,-	277,-	1637,-
Lid, galvanized	A	215,-	27,-	242,-
S4A 900, hot-dip galvanized	A	1541,-	277,-	1818,-
Lid, galvanized	A	215,-	27,-	242,-
S4A 1200, painted	A	1446,-	277,-	1723,-
Lid, galvanized	A	215,-	26,-	241,-
S4A 1200, hot-dip galvanized	A	1671,-	277,-	1948,-
Lid, galvanized	A	215,-	26,-	241,-
Container With Drop Away Base Type SB	Category	Price	Freight charges	Price including freight charges
SB 500, painted	B	966,-	191,-	1157,-
Lid, galvanized	B	138,-	16,-	154,-
Castor Set, polyamide, Load capacity 1350 kg / castor set	A	185,-	15,-	200,-
Castor Set, polyamide, Load capacity 2550 kg / castor set	A	366,-	15,-	381,-
SB 500, hot-dip galvanized	B	1258,-	191,-	1449,-
Lid, galvanized	B	138,-	16,-	154,-
Castor Set, polyamide, Load capacity 1350 kg / castor set	A	185,-	15,-	200,-
Castor Set, polyamide, Load capacity 2550 kg / castor set	A	366,-	15,-	381,-
SB 750, painted	B	1057,-	191,-	1248,-
Lid, galvanized	B	138,-	16,-	154,-
Castor Set, polyamide, Load capacity 1350 kg / castor set	A	185,-	15,-	200,-
Castor Set, polyamide, Load capacity 2550 kg / castor set	A	366,-	15,-	381,-
SB 750, hot-dip galvanized	B	1468,-	277,-	1745,-
Lid, galvanized	B	138,-	16,-	154,-
Castor Set, polyamide, Load capacity 1350 kg / castor set	A	185,-	15,-	200,-
Castor Set, polyamide, Load capacity 2550 kg / castor set	A	366,-	15,-	381,-
SB 1000, painted	B	1251,-	277,-	1528,-

Prices in EUR, valid EXW DE-46354 Südlohn, DE-38820 Halberstadt, unpacked
Freight charges valid CPT Spain, islands and oversea territories excluded

Price List 0424 en-ES

Forklift Truck Attachments



Container With Drop Away Base Type SB	Category	Price	Freight charges	Price including freight charges
Lid, galvanized	B	138,-	16,-	154,-
Castor Set, polyamide, Load capacity 1350 kg / castor set	A	185,-	15,-	200,-
Castor Set, polyamide, Load capacity 2550 kg / castor set	A	366,-	15,-	381,-
SB 1000, hot-dip galvanized	B	1740,-	277,-	2017,-
Lid, galvanized	B	138,-	16,-	154,-
Castor Set, polyamide, Load capacity 1350 kg / castor set	A	185,-	15,-	200,-
Castor Set, polyamide, Load capacity 2550 kg / castor set	A	366,-	15,-	381,-
SB 1500, painted	B	1695,-	277,-	1972,-
Lid, galvanized	B	245,-	21,-	266,-
Castor Set, polyamide, Load capacity 1350 kg / castor set	A	185,-	15,-	200,-
Castor Set, polyamide, Load capacity 2550 kg / castor set	A	366,-	15,-	381,-
SB 1500, hot-dip galvanized	B	2360,-	340,-	2700,-
Lid, galvanized	B	245,-	21,-	266,-
Castor Set, polyamide, Load capacity 1350 kg / castor set	A	185,-	15,-	200,-
Castor Set, polyamide, Load capacity 2550 kg / castor set	A	366,-	15,-	381,-
SB 2000, painted	B	1742,-	340,-	2082,-
Lid, galvanized	B	245,-	21,-	266,-
Castor Set, polyamide, Load capacity 1350 kg / castor set	A	185,-	15,-	200,-
Castor Set, polyamide, Load capacity 2550 kg / castor set	A	366,-	15,-	381,-
SB 2000, hot-dip galvanized	B	2493,-	340,-	2833,-
Lid, galvanized	B	245,-	21,-	266,-
Castor Set, polyamide, Load capacity 1350 kg / castor set	A	185,-	15,-	200,-
Castor Set, polyamide, Load capacity 2550 kg / castor set	A	366,-	15,-	381,-
Collecting System Type SBS	Category	Price	Freight charges	Price including freight charges
SBS 500, painted	C	385,-	191,-	576,-
Trolley TW 500, hot-dip galvanized	C	249,-	123,-	372,-
SBS 500, hot-dip galvanized	C	456,-	191,-	647,-
Trolley TW 500, hot-dip galvanized	C	249,-	123,-	372,-
SBS 1000, painted	C	491,-	191,-	682,-
Trolley TW 1000, hot-dip galvanized	C	286,-	123,-	409,-
SBS 1000, hot-dip galvanized	C	604,-	277,-	881,-
Trolley TW 1000, hot-dip galvanized	C	286,-	123,-	409,-
SBS 2000, painted	C	779,-	327,-	1106,-
Trolley TW 2000, hot-dip galvanized	C	487,-	123,-	610,-
SBS 2000, hot-dip galvanized	C	935,-	327,-	1262,-
Trolley TW 2000, hot-dip galvanized	C	487,-	123,-	610,-
Filling Hopper Type SBT	Category	Price	Freight charges	Price including freight charges
SBT, painted	A	1614,-	277,-	1891,-
Snowdozer Type SCH-F	Category	Price	Freight charges	Price including freight charges
SCH-F 150, painted	A	2157,-	277,-	2434,-
SCH-F 180, painted	A	2422,-	277,-	2699,-
SCH-F 210, painted	A	2722,-	277,-	2999,-

Prices in EUR, valid EXW DE-46354 Südlohn, DE-38820 Halberstadt, unpacked
Freight charges valid CPT Spain, islands and oversea territories excluded

Price List 0424 en-ES

Forklift Truck Attachments



Snowdozer Type SCH-F	Category	Price	Freight charges	Price including freight charges
SCH-F 240, painted	A	2990,-	390,-	3380,-
Snowdozer Type SCH-G	Category	Price	Freight charges	Price including freight charges
SCH-G 150, painted	A	1530,-	191,-	1721,-
SCH-G 180, painted	A	1671,-	191,-	1862,-
SCH-G 210, painted	A	1930,-	277,-	2207,-
SCH-G 240, painted	A	2086,-	327,-	2413,-
Snowdozer Type SCH-L	Category	Price	Freight charges	Price including freight charges
SCH-L 1500, painted	A	1142,-	191,-	1333,-
SCH-L 1500, hot-dip galvanized	A	1265,-	191,-	1456,-
SCH-L 1800, painted	A	1333,-	191,-	1524,-
SCH-L 1800, hot-dip galvanized	A	1480,-	191,-	1671,-
Snow Plough Type SCH-P-G	Category	Price	Freight charges	Price including freight charges
SCH-P-G 150, painted	A	2408,-	277,-	2685,-
SCH-P-G 180, painted	A	2586,-	277,-	2863,-
SCH-P-G 210, painted	A	2772,-	277,-	3049,-
SCH-P-G 240, painted	A	3292,-	327,-	3619,-
Snow Plough Type SCH-P-S	Category	Price	Freight charges	Price including freight charges
SCH-P-S 150, painted	A	2239,-	277,-	2516,-
SCH-P-S 180, painted	A	2392,-	277,-	2669,-
SCH-P-S 210, painted	A	2540,-	277,-	2817,-
SCH-P-S 240, painted	A	3022,-	327,-	3349,-
Snow Plough Type SCH-P-V	Category	Price	Freight charges	Price including freight charges
SCH-P-V 150, painted	A	2590,-	277,-	2867,-
SCH-P-V 180, painted	A	2849,-	277,-	3126,-
SCH-P-V 210, painted	A	3091,-	277,-	3368,-
SCH-P-V 240, painted	A	3614,-	327,-	3941,-
Snowdozer Type SCH-S	Category	Price	Freight charges	Price including freight charges
SCH-S 150, painted	A	1359,-	191,-	1550,-
SCH-S 180, painted	A	1476,-	191,-	1667,-
SCH-S 210, painted	A	1700,-	277,-	1977,-
SCH-S 240, painted	A	1816,-	327,-	2143,-
Snow Plough Type SCH-U-G	Category	Price	Freight charges	Price including freight charges
SCH-U-G 150, painted	A	2408,-	277,-	2685,-
SCH-U-G 180, painted	A	2586,-	277,-	2863,-
SCH-U-G 210, painted	A	2772,-	277,-	3049,-
SCH-U-G 240, painted	A	3292,-	327,-	3619,-

Prices in EUR, valid EXW DE-46354 Südlohn, DE-38820 Halberstadt, unpacked
Freight charges valid CPT Spain, islands and oversea territories excluded

Price List 0424 en-ES

Forklift Truck Attachments



Snow Plough Type SCH-U-S	Category	Price	Freight charges	Price including freight charges
SCH-U-S 150, painted	A	2239,-	277,-	2516,-
SCH-U-S 180, painted	A	2392,-	277,-	2669,-
SCH-U-S 210, painted	A	2540,-	277,-	2817,-
SCH-U-S 240, painted	A	3022,-	327,-	3349,-

Snow Plough Type SCH-U-V	Category	Price	Freight charges	Price including freight charges
SCH-U-V 150, painted	A	2590,-	277,-	2867,-
SCH-U-V 180, painted	A	2849,-	277,-	3126,-
SCH-U-V 210, painted	A	3091,-	277,-	3368,-
SCH-U-V 240, painted	A	3614,-	327,-	3941,-

Snowdozer Type SCH-V	Category	Price	Freight charges	Price including freight charges
SCH-V 150, painted	A	1709,-	191,-	1900,-
SCH-V 180, painted	A	1923,-	191,-	2114,-
SCH-V 210, painted	A	2252,-	277,-	2529,-
SCH-V 240, painted	A	2407,-	327,-	2734,-

Silo Container Type SG	Category	Price	Freight charges	Price including freight charges
SG 375, painted	E	979,-	191,-	1170,-
Lid, galvanized	E	126,-	28,-	154,-
SG 375, hot-dip galvanized	E	1700,-	191,-	1891,-
Lid, galvanized	E	126,-	28,-	154,-
SG 600, painted	E	1168,-	191,-	1359,-
Lid, galvanized	E	126,-	28,-	154,-
SG 600, hot-dip galvanized	E	1885,-	191,-	2076,-
Lid, galvanized	E	126,-	28,-	154,-

Silo Container Type SG-D	Category	Price	Freight charges	Price including freight charges
SG-D 375, painted	E	979,-	123,-	1102,-
Lid, galvanized	E	126,-	28,-	154,-
SG-D 375, hot-dip galvanized	E	1700,-	191,-	1891,-
Lid, galvanized	E	126,-	28,-	154,-
SG-D 600, painted	E	1168,-	191,-	1359,-
Lid, galvanized	E	126,-	28,-	154,-
SG-D 600, hot-dip galvanized	E	1885,-	191,-	2076,-
Lid, galvanized	E	126,-	28,-	154,-

Silo Container Type SGK	Category	Price	Freight charges	Price including freight charges
SGK 50, painted	A	1077,-	191,-	1268,-
SGK 50, hot-dip galvanized	A	1103,-	191,-	1294,-
SGK 75, painted	A	1172,-	191,-	1363,-
SGK 75, hot-dip galvanized	A	1208,-	191,-	1399,-
SGK 100, painted	A	1282,-	191,-	1473,-
SGK 100, hot-dip galvanized	A	1320,-	191,-	1511,-

Prices in EUR, valid EXW DE-46354 Südlohn, DE-38820 Halberstadt, unpacked
Freight charges valid CPT Spain, islands and oversea territories excluded

Price List 0424 en-ES

Forklift Truck Attachments



Silo Container Type SGS	Category	Price	Freight charges	Price including freight charges
SGS 50, painted	A	855,-	123,-	978,-
SGS 50, hot-dip galvanized	A	871,-	191,-	1062,-
SGS 75, painted	A	948,-	191,-	1139,-
SGS 75, hot-dip galvanized	A	980,-	191,-	1171,-
SGS 100, painted	A	1041,-	191,-	1232,-
SGS 100, hot-dip galvanized	A	1072,-	191,-	1263,-
Swarf Tilting Container Type SGU	Category	Price	Freight charges	Price including freight charges
SGU 30, painted	A	908,-	191,-	1099,-
Lid, galvanized	A	94,-	18,-	112,-
Castor Set, polyamide, Load capacity 1350 kg / castor set	A	185,-	15,-	200,-
Crane lifting eyes for use with a crane	A	102,-	8,-	110,-
Support legs, 100 mm ground leeway	A	67,-	8,-	75,-
SGU 30, hot-dip galvanized	A	1079,-	191,-	1270,-
Lid, galvanized	A	94,-	18,-	112,-
Castor Set, polyamide, Load capacity 1350 kg / castor set	A	185,-	15,-	200,-
Crane lifting eyes for use with a crane	A	102,-	8,-	110,-
Support legs, 100 mm ground leeway	A	67,-	8,-	75,-
SGU 50, painted	A	1123,-	191,-	1314,-
Lid, galvanized	A	94,-	18,-	112,-
Castor Set, polyamide, Load capacity 1350 kg / castor set	A	185,-	15,-	200,-
Adjustable dumping brake	A	448,-	10,-	458,-
Crane lifting eyes for use with a crane	A	102,-	8,-	110,-
Support legs, 100 mm ground leeway	A	67,-	8,-	75,-
SGU 50, hot-dip galvanized	A	1359,-	191,-	1550,-
Lid, galvanized	A	94,-	18,-	112,-
Castor Set, polyamide, Load capacity 1350 kg / castor set	A	185,-	15,-	200,-
Adjustable dumping brake	A	448,-	10,-	458,-
Crane lifting eyes for use with a crane	A	102,-	8,-	110,-
Support legs, 100 mm ground leeway	A	67,-	8,-	75,-
SGU 75, painted	A	1267,-	191,-	1458,-
Lid, galvanized	A	134,-	26,-	160,-
Castor Set, polyamide, Load capacity 1350 kg / castor set	A	185,-	15,-	200,-
Adjustable dumping brake	A	448,-	10,-	458,-
Crane lifting eyes for use with a crane	A	102,-	8,-	110,-
Support legs, 100 mm ground leeway	A	67,-	8,-	75,-
SGU 75, hot-dip galvanized	A	1568,-	191,-	1759,-
Lid, galvanized	A	134,-	26,-	160,-
Castor Set, polyamide, Load capacity 1350 kg / castor set	A	185,-	15,-	200,-
Adjustable dumping brake	A	448,-	10,-	458,-
Crane lifting eyes for use with a crane	A	102,-	8,-	110,-
Support legs, 100 mm ground leeway	A	67,-	8,-	75,-
SGU 100, painted	A	1517,-	277,-	1794,-
Lid, galvanized	A	185,-	27,-	212,-
Castor Set, polyamide, Load capacity 1350 kg / castor set	A	185,-	15,-	200,-
Adjustable dumping brake	A	448,-	10,-	458,-

Prices in EUR, valid EXW DE-46354 Südlohn, DE-38820 Halberstadt, unpacked
Freight charges valid CPT Spain, islands and oversea territories excluded

Price List 0424 en-ES

Forklift Truck Attachments



Swarf Tilting Container Type SGU	Category	Price	Freight charges	Price including freight charges
Crane lifting eyes for use with a crane	A	102,-	8,-	110,-
Support legs, 100 mm ground leeway	A	67,-	8,-	75,-
SGU 100, hot-dip galvanized	A	2048,-	277,-	2325,-
Lid, galvanized	A	185,-	27,-	212,-
Castor Set, polyamide, Load capacity 1350 kg / castor set	A	185,-	15,-	200,-
Adjustable dumping brake	A	448,-	10,-	458,-
Crane lifting eyes for use with a crane	A	102,-	8,-	110,-
Support legs, 100 mm ground leeway	A	67,-	8,-	75,-
SGU 150, painted	A	1704,-	277,-	1981,-
Lid, galvanized	A	185,-	27,-	212,-
Castor Set, polyamide, Load capacity 1350 kg / castor set	A	185,-	15,-	200,-
Adjustable dumping brake	A	448,-	10,-	458,-
Crane lifting eyes for use with a crane	A	102,-	8,-	110,-
Support legs, 100 mm ground leeway	A	67,-	8,-	75,-
SGU 150, hot-dip galvanized	A	2166,-	277,-	2443,-
Lid, galvanized	A	185,-	27,-	212,-
Castor Set, polyamide, Load capacity 1350 kg / castor set	A	185,-	15,-	200,-
Adjustable dumping brake	A	448,-	10,-	458,-
Crane lifting eyes for use with a crane	A	102,-	8,-	110,-
Support legs, 100 mm ground leeway	A	67,-	8,-	75,-
SGU 200, painted	A	2140,-	340,-	2480,-
Lid, galvanized	A	218,-	32,-	250,-
Castor Set, polyamide, Load capacity 1350 kg / castor set	A	185,-	15,-	200,-
Adjustable dumping brake	A	448,-	10,-	458,-
Crane lifting eyes for use with a crane	A	102,-	8,-	110,-
Support legs, 100 mm ground leeway	A	67,-	8,-	75,-
SGU 200, hot-dip galvanized	A	2685,-	340,-	3025,-
Castor Set, polyamide, Load capacity 1350 kg / castor set	A	185,-	15,-	200,-
Lid, galvanized	A	218,-	32,-	250,-
Adjustable dumping brake	A	448,-	10,-	458,-
Crane lifting eyes for use with a crane	A	102,-	8,-	110,-
Support legs, 100 mm ground leeway	A	67,-	8,-	75,-
Swarf Tilting Container Type SGU-RZ	Category	Price	Freight charges	Price including freight charges
SGU-RZ 30, painted	A	939,-	191,-	1130,-
Lid, galvanized	A	91,-	18,-	109,-
SGU-RZ 30, hot-dip galvanized	A	1059,-	191,-	1250,-
Lid, galvanized	A	91,-	18,-	109,-
SGU-RZ 55, painted	A	1161,-	191,-	1352,-
Lid, galvanized	A	91,-	18,-	109,-
SGU-RZ 55, hot-dip galvanized	A	1269,-	191,-	1460,-
Lid, galvanized	A	91,-	18,-	109,-
Gritter Type SH	Category	Price	Freight charges	Price including freight charges
SH, painted	A	3448,-	191,-	3639,-

Prices in EUR, valid EXW DE-46354 Südlohn, DE-38820 Halberstadt, unpacked
Freight charges valid CPT Spain, islands and oversea territories excluded

Price List 0424 en-ES

Forklift Truck Attachments



Gritter Type SH	Category	Price	Freight charges	Price including freight charges
Tarpaulin	A	117,-	10,-	127,-
Forklift Safety Cage Type SIKO	Category	Price	Freight charges	Price including freight charges
SIKO, painted	A	701,-	123,-	824,-
Castor Set, polyamide, Load capacity 1050 kg / castor set	A	131,-	15,-	146,-
Forklift Safety Cage Type SIKO/L	Category	Price	Freight charges	Price including freight charges
SIKO/L, painted	A	848,-	123,-	971,-
Castor Set, polyamide, Load capacity 1050 kg / castor set	A	131,-	15,-	146,-
Forklift Safety Cage Type SIKO-G	Category	Price	Freight charges	Price including freight charges
SIKO-G, painted	A	634,-	123,-	757,-
Forklift Safety Cage Type SIKO-M	Category	Price	Freight charges	Price including freight charges
SIKO-M, painted	A	511,-	123,-	634,-
Heavy Duty Tilting Container Type SK	Category	Price	Freight charges	Price including freight charges
SK 300, painted	A	1237,-	277,-	1514,-
Lid, galvanized	A	168,-	18,-	186,-
Castor Set, polyamide, Load capacity 2550 kg / castor set	A	366,-	15,-	381,-
Skip Body Welded Oil and Watertight	A	75,-	0,-	75,-
SK 300, hot-dip galvanized	A	1502,-	277,-	1779,-
Lid, galvanized	A	168,-	18,-	186,-
Castor Set, polyamide, Load capacity 2550 kg / castor set	A	366,-	15,-	381,-
Skip Body Welded Oil and Watertight	A	75,-	0,-	75,-
SK 600, painted	A	1339,-	277,-	1616,-
Lid, galvanized	A	189,-	22,-	211,-
Castor Set, polyamide, Load capacity 2550 kg / castor set	A	366,-	15,-	381,-
Skip Body Welded Oil and Watertight	A	75,-	0,-	75,-
SK 600, hot-dip galvanized	A	1665,-	340,-	2005,-
Lid, galvanized	A	189,-	22,-	211,-
Castor Set, polyamide, Load capacity 2550 kg / castor set	A	366,-	15,-	381,-
Skip Body Welded Oil and Watertight	A	75,-	0,-	75,-
SK 900, painted	A	1458,-	340,-	1798,-
Lid, galvanized	A	215,-	27,-	242,-
Castor Set, polyamide, Load capacity 2550 kg / castor set	A	366,-	15,-	381,-
Skip Body Welded Oil and Watertight	A	75,-	0,-	75,-
SK 900, hot-dip galvanized	A	1875,-	340,-	2215,-
Lid, galvanized	A	215,-	27,-	242,-
Castor Set, polyamide, Load capacity 2550 kg / castor set	A	366,-	15,-	381,-
Skip Body Welded Oil and Watertight	A	75,-	0,-	75,-
SK 1200, painted	A	1710,-	340,-	2050,-
Lid, galvanized	A	215,-	26,-	241,-
Castor Set, polyamide, Load capacity 2550 kg / castor set	A	366,-	15,-	381,-
Skip Body Welded Oil and Watertight	A	116,-	0,-	116,-

Prices in EUR, valid EXW DE-46354 Südlohn, DE-38820 Halberstadt, unpacked
Freight charges valid CPT Spain, islands and oversea territories excluded

Price List 0424 en-ES

Forklift Truck Attachments



Heavy Duty Tilting Container Type SK	Category	Price	Freight charges	Price including freight charges
SK 1200, hot-dip galvanized	A	2200,-	476,-	2676,-
Lid, galvanized	A	215,-	26,-	241,-
Castor Set, polyamide, Load capacity 2550 kg / castor set	A	366,-	15,-	381,-
Skip Body Welded Oil and Watertight	A	116,-	0,-	116,-
SK 1700, painted	A	1799,-	476,-	2275,-
Lid, galvanized	A	266,-	33,-	299,-
Castor Set, polyamide, Load capacity 2550 kg / castor set	A	366,-	15,-	381,-
Skip Body Welded Oil and Watertight	A	116,-	0,-	116,-
SK 1700, hot-dip galvanized	A	2407,-	476,-	2883,-
Lid, galvanized	A	266,-	33,-	299,-
Castor Set, polyamide, Load capacity 2550 kg / castor set	A	366,-	15,-	381,-
Skip Body Welded Oil and Watertight	A	116,-	0,-	116,-
SK 2100, painted	A	1963,-	476,-	2439,-
Lid, galvanized	A	347,-	36,-	383,-
Castor Set, polyamide, Load capacity 2550 kg / castor set	A	366,-	15,-	381,-
Skip Body Welded Oil and Watertight	A	116,-	0,-	116,-
SK 2100, hot-dip galvanized	A	2646,-	476,-	3122,-
Lid, galvanized	A	347,-	36,-	383,-
Castor Set, polyamide, Load capacity 2550 kg / castor set	A	366,-	15,-	381,-
Skip Body Welded Oil and Watertight	A	116,-	0,-	116,-
Broom Type SKB	Category	Price	Freight charges	Price including freight charges
SKB 100, painted	A	925,-	123,-	1048,-
SKB 150, painted	A	1156,-	123,-	1279,-
SKB 200, painted	A	1425,-	123,-	1548,-
Broom Type SKB-0	Category	Price	Freight charges	Price including freight charges
SKB-0 100, painted	A	635,-	123,-	758,-
SKB-0 150, painted	A	867,-	123,-	990,-
SKB-0 200, painted	A	1136,-	123,-	1259,-
Swarf Tipping Skip Type SKK	Category	Price	Freight charges	Price including freight charges
SKK 250, painted	E	515,-	123,-	638,-
Lid, galvanized	E	131,-	15,-	146,-
Castor Set, polyamide, Load capacity 1050 kg / castor set	A	131,-	15,-	146,-
Castor Set, solid rubber, Load capacity 615 kg / castor set	E	99,-	15,-	114,-
SKK 250, hot-dip galvanized	E	563,-	123,-	686,-
Lid, galvanized	E	131,-	15,-	146,-
Castor Set, polyamide, Load capacity 1050 kg / castor set	A	131,-	15,-	146,-
Castor Set, solid rubber, Load capacity 615 kg / castor set	E	99,-	15,-	114,-
SKK 400, painted	E	579,-	123,-	702,-
Lid, galvanized	E	150,-	16,-	166,-
Castor Set, polyamide, Load capacity 1050 kg / castor set	A	131,-	15,-	146,-
Castor Set, solid rubber, Load capacity 615 kg / castor set	E	99,-	15,-	114,-
SKK 400, hot-dip galvanized	E	627,-	123,-	750,-

Prices in EUR, valid EXW DE-46354 Südlohn, DE-38820 Halberstadt, unpacked
Freight charges valid CPT Spain, islands and oversea territories excluded

Price List 0424 en-ES

Forklift Truck Attachments



Swarf Tipping Skip Type SKK	Category	Price	Freight charges	Price including freight charges
Lid, galvanized	E	150,-	16,-	166,-
Castor Set, polyamide, Load capacity 1050 kg / castor set	A	131,-	15,-	146,-
Castor Set, solid rubber, Load capacity 615 kg / castor set	E	99,-	15,-	114,-
SKK 600, painted	E	787,-	191,-	978,-
Lid, galvanized	E	167,-	20,-	187,-
Castor Set, polyamide, Load capacity 1050 kg / castor set	A	131,-	15,-	146,-
Castor Set, solid rubber, Load capacity 615 kg / castor set	E	99,-	15,-	114,-
SKK 600, hot-dip galvanized	E	883,-	191,-	1074,-
Lid, galvanized	E	167,-	20,-	187,-
Castor Set, polyamide, Load capacity 1050 kg / castor set	A	131,-	15,-	146,-
Castor Set, solid rubber, Load capacity 615 kg / castor set	E	99,-	15,-	114,-
SKK 800, painted	E	842,-	191,-	1033,-
Lid, galvanized	E	174,-	21,-	195,-
Castor Set, polyamide, Load capacity 1050 kg / castor set	A	131,-	15,-	146,-
Castor Set, solid rubber, Load capacity 615 kg / castor set	E	99,-	15,-	114,-
SKK 800, hot-dip galvanized	E	946,-	191,-	1137,-
Lid, galvanized	E	174,-	21,-	195,-
Castor Set, polyamide, Load capacity 1050 kg / castor set	A	131,-	15,-	146,-
Castor Set, solid rubber, Load capacity 615 kg / castor set	E	99,-	15,-	114,-
SKK 1000, painted	E	898,-	191,-	1089,-
Lid, galvanized	E	186,-	22,-	208,-
Castor Set, polyamide, Load capacity 1050 kg / castor set	A	131,-	15,-	146,-
Castor Set, solid rubber, Load capacity 615 kg / castor set	E	99,-	15,-	114,-
SKK 1000, hot-dip galvanized	E	1027,-	191,-	1218,-
Lid, galvanized	E	186,-	22,-	208,-
Castor Set, polyamide, Load capacity 1050 kg / castor set	A	131,-	15,-	146,-
Castor Set, solid rubber, Load capacity 615 kg / castor set	E	99,-	15,-	114,-

Swarf Tilting Container Type SKM	Category	Price	Freight charges	Price including freight charges
SKM 30, painted	A	917,-	191,-	1108,-
Lid, galvanized	A	100,-	18,-	118,-
SKM 30, hot-dip galvanized	A	1109,-	191,-	1300,-
Lid, galvanized	A	100,-	18,-	118,-
SKM 50, painted	A	1178,-	191,-	1369,-
Lid, galvanized	A	152,-	28,-	180,-
SKM 50, hot-dip galvanized	A	1428,-	191,-	1619,-
Lid, galvanized	A	152,-	28,-	180,-
SKM 75, painted	A	1419,-	191,-	1610,-
Lid, galvanized	A	169,-	33,-	202,-
SKM 75, hot-dip galvanized	A	1729,-	277,-	2006,-
Lid, galvanized	A	169,-	33,-	202,-

Swarf Tipping Skip Type SKN	Category	Price	Freight charges	Price including freight charges
SKN 250, painted	E	515,-	123,-	638,-
Lid, galvanized	E	131,-	15,-	146,-

Prices in EUR, valid EXW DE-46354 Südlohn, DE-38820 Halberstadt, unpacked
 Freight charges valid CPT Spain, islands and oversea territories excluded

Price List 0424 en-ES

Forklift Truck Attachments



Swarf Tipping Skip Type SKN	Category	Price	Freight charges	Price including freight charges
Castor Set, polyamide, Load capacity 1050 kg / castor set	A	131,-	15,-	146,-
Castor Set, solid rubber, Load capacity 615 kg / castor set	E	99,-	15,-	114,-
SKN 250, hot-dip galvanized	E	563,-	123,-	686,-
Lid, galvanized	E	131,-	15,-	146,-
Castor Set, polyamide, Load capacity 1050 kg / castor set	A	131,-	15,-	146,-
Castor Set, solid rubber, Load capacity 615 kg / castor set	E	99,-	15,-	114,-
SKN 400, painted	E	579,-	123,-	702,-
Lid, galvanized	E	150,-	16,-	166,-
Castor Set, polyamide, Load capacity 1050 kg / castor set	A	131,-	15,-	146,-
Castor Set, solid rubber, Load capacity 615 kg / castor set	E	99,-	15,-	114,-
SKN 400, hot-dip galvanized	E	627,-	123,-	750,-
Lid, galvanized	E	150,-	16,-	166,-
Castor Set, polyamide, Load capacity 1050 kg / castor set	A	131,-	15,-	146,-
Castor Set, solid rubber, Load capacity 615 kg / castor set	E	99,-	15,-	114,-
Swarf Tipping Skip Type SKS	Category	Price	Freight charges	Price including freight charges
SKS 400, painted	E	914,-	191,-	1105,-
SKS 550, painted	E	978,-	191,-	1169,-
SKS 700, painted	E	1035,-	191,-	1226,-
Swarf Barrow Tipper Type SKW-ET	Category	Price	Freight charges	Price including freight charges
SKW-ET 250, painted	E	616,-	123,-	739,-
Lid, galvanized	E	131,-	15,-	146,-
SKW-ET 250, hot-dip galvanized	E	942,-	123,-	1065,-
Lid, galvanized	E	131,-	15,-	146,-
SKW-ET 400, painted	E	673,-	123,-	796,-
Lid, galvanized	E	150,-	16,-	166,-
SKW-ET 400, hot-dip galvanized	E	1034,-	123,-	1157,-
Lid, galvanized	E	150,-	16,-	166,-
SKW-ET 600, painted	E	822,-	191,-	1013,-
Lid, galvanized	E	167,-	20,-	187,-
SKW-ET 600, hot-dip galvanized	E	1191,-	191,-	1382,-
Lid, galvanized	E	167,-	20,-	187,-
SKW-ET 1000, painted	E	997,-	191,-	1188,-
Lid, galvanized	E	186,-	22,-	208,-
SKW-ET 1000, hot-dip galvanized	E	1587,-	191,-	1778,-
Lid, galvanized	E	186,-	22,-	208,-
Mini Swarf Tilting Container Type SMGU	Category	Price	Freight charges	Price including freight charges
SMGU 230, painted	A	665,-	123,-	788,-
Lid, galvanized	A	126,-	18,-	144,-
Castor Set, polyamide, Load capacity 1050 kg / castor set	A	150,-	15,-	165,-
SMGU 230, hot-dip galvanized	A	748,-	191,-	939,-
Lid, galvanized	A	126,-	18,-	144,-
Castor Set, polyamide, Load capacity 1050 kg / castor set	A	150,-	15,-	165,-

Prices in EUR, valid EXW DE-46354 Südlohn, DE-38820 Halberstadt, unpacked
Freight charges valid CPT Spain, islands and oversea territories excluded

Price List 0424 en-ES

Forklift Truck Attachments



Mini Swarf Tilting Container Type SMGU	Category	Price	Freight charges	Price including freight charges
SMGU 270, painted	A	718,-	191,-	909,-
Lid, galvanized	A	126,-	18,-	144,-
Castor Set, polyamide, Load capacity 1050 kg / castor set	A	150,-	15,-	165,-
SMGU 270, hot-dip galvanized	A	821,-	191,-	1012,-
Lid, galvanized	A	126,-	18,-	144,-
Castor Set, polyamide, Load capacity 1050 kg / castor set	A	150,-	15,-	165,-
SMGU 460, painted	A	903,-	191,-	1094,-
Lid, galvanized	A	163,-	22,-	185,-
Castor Set, polyamide, Load capacity 1050 kg / castor set	A	150,-	15,-	165,-
SMGU 460, hot-dip galvanized	A	1051,-	191,-	1242,-
Lid, galvanized	A	163,-	22,-	185,-
Castor Set, polyamide, Load capacity 1050 kg / castor set	A	150,-	15,-	165,-
SMGU 610, painted	A	1005,-	191,-	1196,-
Lid, galvanized	A	174,-	26,-	200,-
Castor Set, polyamide, Load capacity 1050 kg / castor set	A	150,-	15,-	165,-
SMGU 610, hot-dip galvanized	A	1168,-	191,-	1359,-
Lid, galvanized	A	174,-	26,-	200,-
Castor Set, polyamide, Load capacity 1050 kg / castor set	A	150,-	15,-	165,-

Silo Container Type SR	Category	Price	Freight charges	Price including freight charges
SR 375, painted	E	815,-	123,-	938,-
Lid, galvanized	E	126,-	33,-	159,-
SR 375, hot-dip galvanized	E	1530,-	123,-	1653,-
Lid, galvanized	E	126,-	33,-	159,-
SR 600, painted	E	1012,-	191,-	1203,-
Lid, galvanized	E	126,-	33,-	159,-
SR 600, hot-dip galvanized	E	1740,-	191,-	1931,-
Lid, galvanized	E	126,-	33,-	159,-

Silo Container Type SR-D	Category	Price	Freight charges	Price including freight charges
SR-D 375, painted	E	815,-	123,-	938,-
Lid, galvanized	E	126,-	33,-	159,-
SR-D 375, hot-dip galvanized	E	1530,-	123,-	1653,-
Lid, galvanized	E	126,-	33,-	159,-
SR-D 600, painted	E	1012,-	191,-	1203,-
Lid, galvanized	E	126,-	33,-	159,-
SR-D 600, hot-dip galvanized	E	1740,-	191,-	1931,-
Lid, galvanized	E	126,-	33,-	159,-

Silo Container Type SRE	Category	Price	Freight charges	Price including freight charges
SRE 375, painted	E	929,-	191,-	1120,-
Lid, galvanized	E	126,-	33,-	159,-
SRE 375, hot-dip galvanized	E	1664,-	191,-	1855,-
Lid, galvanized	E	126,-	33,-	159,-
SRE 600, painted	E	1131,-	191,-	1322,-

Prices in EUR, valid EXW DE-46354 Südlohn, DE-38820 Halberstadt, unpacked
 Freight charges valid CPT Spain, islands and oversea territories excluded

Price List 0424 en-ES

Forklift Truck Attachments



Silo Container Type SRE	Category	Price	Freight charges	Price including freight charges
Lid, galvanized	E	126,-	33,-	159,-
SRE 600, hot-dip galvanized	E	1794,-	191,-	1985,-
Lid, galvanized	E	126,-	33,-	159,-
Silo Container Type SRE-D	Category	Price	Freight charges	Price including freight charges
SRE-D 375, painted	E	929,-	123,-	1052,-
Lid, galvanized	E	126,-	33,-	159,-
SRE-D 375, hot-dip galvanized	E	1664,-	191,-	1855,-
Lid, galvanized	E	126,-	33,-	159,-
SRE-D 600, painted	E	1131,-	191,-	1322,-
Lid, galvanized	E	126,-	33,-	159,-
SRE-D 600, hot-dip galvanized	E	1794,-	191,-	1985,-
Lid, galvanized	E	126,-	33,-	159,-
Forklift Tender System Type STS	Category	Price	Freight charges	Price including freight charges
STS 2,5, painted	C	3726,-	on request	on request
STS 5,0, painted	C	4392,-	on request	on request
Spreader Type STW	Category	Price	Freight charges	Price including freight charges
STW 100, painted	A	1174,-	123,-	1297,-
Tarpaulin	A	112,-	10,-	122,-
STW 260, painted	A	2074,-	123,-	2197,-
Tarpaulin	A	117,-	10,-	127,-
Traverse for Big Bags Type TBB	Category	Price	Freight charges	Price including freight charges
TBB, painted	A	870,-	123,-	993,-
Traverse For Big Bags Type TBB-E	Category	Price	Freight charges	Price including freight charges
TBB-E, painted	A	823,-	123,-	946,-
Traverse For Big Bags Type TBB-W	Category	Price	Freight charges	Price including freight charges
TBB-W, painted	A	1056,-	123,-	1179,-
Mini Lifting Beam Type TM	Category	Price	Freight charges	Price including freight charges
TM 200-500, hot-dip galvanized	F	385,-	60,-	445,-
TM 400-800, hot-dip galvanized	F	414,-	60,-	474,-
TM 800-1200, hot-dip galvanized	F	546,-	60,-	606,-
Tilting Container Type TRIO	Category	Price	Freight charges	Price including freight charges
TRIO, painted	A	2254,-	340,-	2594,-
Lid, galvanized	A	207,-	26,-	233,-
Castor Set, polyamide, Load capacity 1350 kg / castor set	A	185,-	15,-	200,-
Set of 5 self-adhesive stickers with symbols for: glass, paper, plastic, metal, residual waste	A	28,-	on request	on request

Prices in EUR, valid EXW DE-46354 Südlohn, DE-38820 Halberstadt, unpacked
Freight charges valid CPT Spain, islands and oversea territories excluded

Price List 0424 en-ES

Forklift Truck Attachments



Universal Container Type UC	Category	Price	Freight charges	Price including freight charges
UC 500, painted	A	652,-	123,-	775,-
Lid, galvanized	A	162,-	16,-	178,-
Castor Set, polyamide, Load capacity 1350 kg / castor set	A	185,-	15,-	200,-
Pick-up Profile on Type UC for Traverse Type UCT	A	102,-	0,-	102,-
UC 500, hot-dip galvanized	A	744,-	191,-	935,-
Lid, galvanized	A	162,-	16,-	178,-
Castor Set, polyamide, Load capacity 1350 kg / castor set	A	185,-	15,-	200,-
Pick-up Profile on Type UC for Traverse Type UCT	A	102,-	0,-	102,-
UC 750, painted	A	709,-	191,-	900,-
Lid, galvanized	A	162,-	16,-	178,-
Castor Set, polyamide, Load capacity 1350 kg / castor set	A	185,-	15,-	200,-
Pick-up Profile on Type UC for Traverse Type UCT	A	102,-	0,-	102,-
UC 750, hot-dip galvanized	A	824,-	191,-	1015,-
Lid, galvanized	A	162,-	16,-	178,-
Castor Set, polyamide, Load capacity 1350 kg / castor set	A	185,-	15,-	200,-
Pick-up Profile on Type UC for Traverse Type UCT	A	102,-	0,-	102,-
UC 1000, painted	A	744,-	191,-	935,-
Lid, galvanized	A	162,-	16,-	178,-
Castor Set, polyamide, Load capacity 1350 kg / castor set	A	185,-	15,-	200,-
Pick-up Profile on Type UC for Traverse Type UCT	A	102,-	0,-	102,-
UC 1000, hot-dip galvanized	A	863,-	191,-	1054,-
Lid, galvanized	A	162,-	16,-	178,-
Castor Set, polyamide, Load capacity 1350 kg / castor set	A	185,-	15,-	200,-
Pick-up Profile on Type UC for Traverse Type UCT	A	102,-	0,-	102,-
Hydraulic Traverse Type UCT	Category	Price	Freight charges	Price including freight charges
UCT, painted	A	2644,-	277,-	2921,-
Tilting Container Type VD	Category	Price	Freight charges	Price including freight charges
VD 500, painted	A	767,-	191,-	958,-
Lid, galvanized	A	139,-	18,-	157,-
Castor Set, polyamide, Load capacity 1350 kg / castor set	A	185,-	15,-	200,-
Skip Body Welded Oil and Watertight	A	75,-	0,-	75,-
VD 500, hot-dip galvanized	A	998,-	191,-	1189,-
Lid, galvanized	A	139,-	18,-	157,-
Castor Set, polyamide, Load capacity 1350 kg / castor set	A	185,-	15,-	200,-
Skip Body Welded Oil and Watertight	A	75,-	0,-	75,-
VD 650, painted	A	838,-	191,-	1029,-
Lid, galvanized	A	139,-	18,-	157,-
Castor Set, polyamide, Load capacity 1350 kg / castor set	A	185,-	15,-	200,-
Skip Body Welded Oil and Watertight	A	75,-	0,-	75,-
VD 650, hot-dip galvanized	A	1091,-	191,-	1282,-
Lid, galvanized	A	139,-	18,-	157,-
Castor Set, polyamide, Load capacity 1350 kg / castor set	A	185,-	15,-	200,-
Skip Body Welded Oil and Watertight	A	75,-	0,-	75,-

Prices in EUR, valid EXW DE-46354 Südlohn, DE-38820 Halberstadt, unpacked
Freight charges valid CPT Spain, islands and oversea territories excluded

Price List 0424 en-ES

Forklift Truck Attachments



Tilting Container Type VD	Category	Price	Freight charges	Price including freight charges
VD 800, painted	A	957,-	191,-	1148,-
Lid, galvanized	A	168,-	22,-	190,-
Castor Set, polyamide, Load capacity 1350 kg / castor set	A	185,-	15,-	200,-
Skip Body Welded Oil and Watertight	A	75,-	0,-	75,-
VD 800, hot-dip galvanized	A	1300,-	191,-	1491,-
Lid, galvanized	A	168,-	22,-	190,-
Castor Set, polyamide, Load capacity 1350 kg / castor set	A	185,-	15,-	200,-
Skip Body Welded Oil and Watertight	A	75,-	0,-	75,-
VD 1000, painted	A	1005,-	191,-	1196,-
Lid, galvanized	A	168,-	22,-	190,-
Castor Set, polyamide, Load capacity 1350 kg / castor set	A	185,-	15,-	200,-
Skip Body Welded Oil and Watertight	A	116,-	0,-	116,-
VD 1000, hot-dip galvanized	A	1419,-	191,-	1610,-
Lid, galvanized	A	168,-	22,-	190,-
Castor Set, polyamide, Load capacity 1350 kg / castor set	A	185,-	15,-	200,-
Skip Body Welded Oil and Watertight	A	116,-	0,-	116,-

Tilting Container Type VG	Category	Price	Freight charges	Price including freight charges
VG 550, painted	A	784,-	191,-	975,-
Lid, galvanized	A	139,-	18,-	157,-
Castor Set, polyamide, Load capacity 1350 kg / castor set	A	185,-	15,-	200,-
Skip Body Welded Oil and Watertight	A	75,-	0,-	75,-
VG 550, hot-dip galvanized	A	1022,-	191,-	1213,-
Lid, galvanized	A	139,-	18,-	157,-
Castor Set, polyamide, Load capacity 1350 kg / castor set	A	185,-	15,-	200,-
Skip Body Welded Oil and Watertight	A	75,-	0,-	75,-
VG 700, painted	A	929,-	191,-	1120,-
Lid, galvanized	A	139,-	18,-	157,-
Castor Set, polyamide, Load capacity 1350 kg / castor set	A	185,-	15,-	200,-
Skip Body Welded Oil and Watertight	A	75,-	0,-	75,-
VG 700, hot-dip galvanized	A	1209,-	191,-	1400,-
Lid, galvanized	A	139,-	18,-	157,-
Castor Set, polyamide, Load capacity 1350 kg / castor set	A	185,-	15,-	200,-
Skip Body Welded Oil and Watertight	A	75,-	0,-	75,-
VG 900, painted	A	1024,-	191,-	1215,-
Lid, galvanized	A	168,-	22,-	190,-
Castor Set, polyamide, Load capacity 1350 kg / castor set	A	185,-	15,-	200,-
Skip Body Welded Oil and Watertight	A	75,-	0,-	75,-
VG 900, hot-dip galvanized	A	1451,-	191,-	1642,-
Lid, galvanized	A	168,-	22,-	190,-
Castor Set, polyamide, Load capacity 1350 kg / castor set	A	185,-	15,-	200,-
Skip Body Welded Oil and Watertight	A	75,-	0,-	75,-
VG 1100, painted	A	1111,-	191,-	1302,-
Lid, galvanized	A	168,-	22,-	190,-
Castor Set, polyamide, Load capacity 1350 kg / castor set	A	185,-	15,-	200,-
Skip Body Welded Oil and Watertight	A	116,-	0,-	116,-

Prices in EUR, valid EXW DE-46354 Südlohn, DE-38820 Halberstadt, unpacked
Freight charges valid CPT Spain, islands and oversea territories excluded

Price List 0424 en-ES

Forklift Truck Attachments



Tilting Container Type VG	Category	Price	Freight charges	Price including freight charges
VG 1100, hot-dip galvanized	A	1508,-	191,-	1699,-
Lid, galvanized	A	168,-	22,-	190,-
Castor Set, polyamide, Load capacity 1350 kg / castor set	A	185,-	15,-	200,-
Skip Body Welded Oil and Watertight	A	116,-	0,-	116,-

Prices in EUR, valid EXW DE-46354 Südlohn, DE-38820 Halberstadt, unpacked
 Freight charges valid CPT Spain, islands and oversea territories excluded

Price List 0424 en-ES

Workspace Material Handling

Battery Charging Station Type BL	Category	Price	Freight charges	Price including freight charges
BL 1, painted	A	1373,-	123,-	1496,-
Fire Extinguisher	A	197,-	14,-	211,-
Fixture for water receptacle	A	61,-	13,-	74,-
BL 2, painted	A	1737,-	123,-	1860,-
Fire Extinguisher	A	197,-	14,-	211,-
Fixture for water receptacle	A	61,-	13,-	74,-
BL 3, painted	A	1737,-	123,-	1860,-
Fire Extinguisher	A	197,-	14,-	211,-
Fixture for water receptacle	A	61,-	13,-	74,-
Drum Jack Roller Type FHR	Category	Price	Freight charges	Price including freight charges
FHR 600 F, painted	B	3174,-	277,-	3451,-
FHR 600 F, hot-dip galvanized	B	3517,-	277,-	3794,-
FHR 600 G, painted	B	2528,-	191,-	2719,-
FHR 600 G, hot-dip galvanized	B	2790,-	191,-	2981,-
FHR 600 K, painted	B	2528,-	191,-	2719,-
FHR 600 K, hot-dip galvanized	B	2790,-	191,-	2981,-
Drum Trolley Type FP-L	Category	Price	Freight charges	Price including freight charges
FP-L, galvanized	C	602,-	123,-	725,-
Drum Trolley Type FP-V	Category	Price	Freight charges	Price including freight charges
FP-V, galvanized	C	584,-	123,-	707,-
Drum Dolly Type FRW	Category	Price	Freight charges	Price including freight charges
FRW-I, hot-dip galvanized	A	112,-	60,-	172,-
FRW-II, hot-dip galvanized	A	148,-	60,-	208,-
FRW-III, hot-dip galvanized	A	200,-	123,-	323,-
Dolly Type GRW	Category	Price	Freight charges	Price including freight charges
GRW-I, hot-dip galvanized	F	121,-	60,-	181,-
Handle, galvanized	F	53,-	10,-	63,-
GRW-II, hot-dip galvanized	F	138,-	60,-	198,-
Handle, galvanized	F	53,-	10,-	63,-
GRW-III, hot-dip galvanized	F	172,-	123,-	295,-
Handle, galvanized	F	53,-	10,-	63,-
Gas Cylinder Wall Bracket Type GWH	Category	Price	Freight charges	Price including freight charges
GWH 140-I, hot-dip galvanized	F	25,-	60,-	85,-
GWH 140-II, hot-dip galvanized	F	38,-	60,-	98,-

Prices in EUR, valid EXW DE-46354 Südlohn, DE-38820 Halberstadt, unpacked
Freight charges valid CPT Spain, islands and oversea territories excluded

Price List 0424 en-ES

Workspace Material Handling



Gas Cylinder Wall Bracket Type GWH	Category	Price	Freight charges	Price including freight charges
GWH 140-III, hot-dip galvanized	F	57,-	60,-	117,-
GWH 230-I, hot-dip galvanized	F	27,-	60,-	87,-
GWH 230-II, hot-dip galvanized	F	41,-	60,-	101,-
GWH 230-III, hot-dip galvanized	F	62,-	60,-	122,-
GWH 320-I, hot-dip galvanized	F	28,-	60,-	88,-
GWH 320-II, hot-dip galvanized	F	46,-	60,-	106,-
GWH 320-III, hot-dip galvanized	F	69,-	60,-	129,-
Fork Lifter Type GZH-A	Category	Price	Freight charges	Price including freight charges
GZH-A, painted	F	110,-	60,-	170,-
Fork Lifter Type GZH-B	Category	Price	Freight charges	Price including freight charges
GZH-B, painted	F	110,-	60,-	170,-
Fork Pallet Type GZP	Category	Price	Freight charges	Price including freight charges
GZP 4, hot-dip galvanized	A	155,-	123,-	278,-
GZP 8, hot-dip galvanized	A	194,-	123,-	317,-
IBC Residue Drainer Type IR	Category	Price	Freight charges	Price including freight charges
IR-1, hot-dip galvanized	A	575,-	123,-	698,-
IR-2, hot-dip galvanized	A	686,-	123,-	809,-
Tilting Canister Stand Type KAH	Category	Price	Freight charges	Price including freight charges
KAH-5, galvanized	A	92,-	60,-	152,-
KAH-25, galvanized	A	105,-	60,-	165,-
KAH-60, galvanized	A	135,-	60,-	195,-
Sheet Metal Storage Units With Trays Type KBR	Category	Price	Freight charges	Price including freight charges
KBR 1, painted	A	5782,-	762,-	6544,-
KBR 2, painted	A	5997,-	on request	on request
KBR 3, painted	A	6441,-	on request	on request
Liftomat Type L/E	Category	Price	Freight charges	Price including freight charges
L/E 1300, painted	B	4742,-	277,-	5019,-
L/E 1300, hot-dip galvanized	B	5389,-	277,-	5666,-
Liftomat Type L/M	Category	Price	Freight charges	Price including freight charges
L/M 600, painted	B	3432,-	191,-	3623,-
L/M 600, hot-dip galvanized	B	3888,-	191,-	4079,-
L/M 1300, painted	B	3851,-	277,-	4128,-
L/M 1300, hot-dip galvanized	B	4414,-	277,-	4691,-
Security Cage for Storage Type LBM	Category	Price	Freight charges	Price including freight charges
LBM 1500, hot-dip galvanized	A	1934,-	277,-	2211,-

Prices in EUR, valid EXW DE-46354 Südlohn, DE-38820 Halberstadt, unpacked
Freight charges valid CPT Spain, islands and oversea territories excluded

Price List 0424 en-ES

Workspace Material Handling



Security Cage for Storage Type LBM	Category	Price	Freight charges	Price including freight charges
LBM 3000, hot-dip galvanized	A	2654,-	476,-	3130,-
LBM 4500, hot-dip galvanized	A	3373,-	476,-	3849,-
LBM 6000, hot-dip galvanized	A	4088,-	614,-	4702,-
Wheelie Bin Tipping Station Type MKS	Category	Price	Freight charges	Price including freight charges
MKS-12V, painted	A	3618,-	191,-	3809,-
External Charger for 12 V electro-hydraulic constructions	A	194,-	15,-	209,-
MKS-230V, painted	A	3618,-	191,-	3809,-
Wheelie Bin Tipping Station Type MKS-F	Category	Price	Freight charges	Price including freight charges
MKS-F, painted	A	2375,-	191,-	2566,-
Wheelie Bin Tipping Station Type MKS-H	Category	Price	Freight charges	Price including freight charges
MKS-H, painted	A	2375,-	191,-	2566,-
Stillage Transport Cage Type MTP	Category	Price	Freight charges	Price including freight charges
MTP 2000, hot-dip galvanized	A	2121,-	277,-	2398,-
Tension belt	A	46,-	8,-	54,-
MTP 3000, hot-dip galvanized	A	2680,-	340,-	3020,-
Tension belt	A	46,-	8,-	54,-
Two-Wheeled Pallet Picker Type PZ	Category	Price	Freight charges	Price including freight charges
PZ, hot-dip galvanized	F	440,-	60,-	500,-
Tyre Fitting Equipment Type RM	Category	Price	Freight charges	Price including freight charges
RM, painted	F	442,-	60,-	502,-
Surround for Waste Bins Type SECOMAT	Category	Price	Freight charges	Price including freight charges
S 120-D, powder coated	B	626,-	123,-	749,-
S 120-K, powder coated	B	702,-	123,-	825,-
S 240-D, powder coated	B	719,-	123,-	842,-
S 240-K, powder coated	B	787,-	123,-	910,-
S1100, powder-coated	B	727,-	123,-	850,-
S1100-W, powder-coated	B	956,-	191,-	1147,-
S1100-WT, powder-coated	B	1200,-	191,-	1391,-
S1100-WTB, powder-coated	B	1295,-	191,-	1486,-
S4USE, powder coated	C	2138,-	277,-	2415,-
Gas Cylinder Pallet Type SFP	Category	Price	Freight charges	Price including freight charges
SFP 4, hot-dip galvanized	C	334,-	123,-	457,-
SFP 8, hot-dip galvanized	C	444,-	123,-	567,-
Loading Support Type VS	Category	Price	Freight charges	Price including freight charges
VS, painted	C	739,-	191,-	930,-

Prices in EUR, valid EXW DE-46354 Südlohn, DE-38820 Halberstadt, unpacked
Freight charges valid CPT Spain, islands and oversea territories excluded

Price List 0424 en-ES Environment / Storage

Sump Trays Type SERIES 2000	Category	Price	Freight charges	Price including freight charges
2000, painted	B	241,-	123,-	364,-
2001, hot-dip galvanized	B	278,-	123,-	401,-
2002, painted	B	275,-	123,-	398,-
2003, hot-dip galvanized	B	311,-	123,-	434,-
2008, painted	B	241,-	123,-	364,-
2009, hot-dip galvanized	B	289,-	123,-	412,-
2010, painted	B	290,-	123,-	413,-
Drum Support FA 60-1, hot-dip galvanized	B	105,-	15,-	120,-
Drum Support FA 60-2, hot-dip galvanized	B	114,-	18,-	132,-
Drum Support FA 60-3, hot-dip galvanized	B	133,-	21,-	154,-
Drum Support FA 200-1, hot-dip galvanized	B	114,-	15,-	129,-
Can Shelf Type GR-A, galvanized	B	133,-	60,-	193,-
Can Shelf Type GR-B, galvanized	B	133,-	60,-	193,-
Can Shelf Type GR-C, galvanized	B	133,-	60,-	193,-
2011, hot-dip galvanized	B	339,-	123,-	462,-
Drum Support FA 60-1, hot-dip galvanized	B	105,-	15,-	120,-
Drum Support FA 60-2, hot-dip galvanized	B	114,-	18,-	132,-
Drum Support FA 60-3, hot-dip galvanized	B	133,-	21,-	154,-
Drum Support FA 200-1, hot-dip galvanized	B	114,-	15,-	129,-
Can Shelf Type GR-A, galvanized	B	133,-	60,-	193,-
Can Shelf Type GR-B, galvanized	B	133,-	60,-	193,-
Can Shelf Type GR-C, galvanized	B	133,-	60,-	193,-
2016, painted	B	253,-	123,-	376,-
2017, hot-dip galvanized	B	303,-	123,-	426,-
2018, painted	B	304,-	123,-	427,-
Drum Support FA 60-1, hot-dip galvanized	B	105,-	15,-	120,-
Drum Support FA 60-2, hot-dip galvanized	B	114,-	18,-	132,-
Drum Support FA 60-3, hot-dip galvanized	B	133,-	21,-	154,-
Drum Support FA 200-1, hot-dip galvanized	B	114,-	15,-	129,-
Can Shelf Type GR-A, galvanized	B	133,-	60,-	193,-
Can Shelf Type GR-B, galvanized	B	133,-	60,-	193,-
Can Shelf Type GR-C, galvanized	B	133,-	60,-	193,-
2019, hot-dip galvanized	B	352,-	123,-	475,-
Drum Support FA 60-1, hot-dip galvanized	B	105,-	15,-	120,-
Drum Support FA 60-2, hot-dip galvanized	B	114,-	18,-	132,-
Drum Support FA 60-3, hot-dip galvanized	B	133,-	21,-	154,-
Drum Support FA 200-1, hot-dip galvanized	B	114,-	15,-	129,-
Can Shelf Type GR-A, galvanized	B	133,-	60,-	193,-
Can Shelf Type GR-B, galvanized	B	133,-	60,-	193,-
Can Shelf Type GR-C, galvanized	B	133,-	60,-	193,-
2026, painted	B	253,-	123,-	376,-
2027, hot-dip galvanized	B	299,-	123,-	422,-

Prices in EUR, valid EXW DE-46354 Südlohn, DE-38820 Halberstadt, unpacked
Freight charges valid CPT Spain, islands and oversea territories excluded

Price List 0424 en-ES

Environment / Storage



Sump Trays Type SERIES 2000	Category	Price	Freight charges	Price including freight charges
2028, painted	B	353,-	123,-	476,-
Drum Support FA 60-1, hot-dip galvanized	B	105,-	15,-	120,-
Drum Support FA 60-2, hot-dip galvanized	B	114,-	18,-	132,-
Drum Support FA 60-3, hot-dip galvanized	B	133,-	21,-	154,-
Drum Support FA 200-1, hot-dip galvanized	B	114,-	15,-	129,-
Drum Support FA 200-2, hot-dip galvanized	B	133,-	22,-	155,-
Can Shelf Type GR-A, galvanized	B	133,-	60,-	193,-
Can Shelf Type GR-B, galvanized	B	133,-	60,-	193,-
Can Shelf Type GR-C, galvanized	B	133,-	60,-	193,-
2029, hot-dip galvanized	B	398,-	123,-	521,-
Drum Support FA 60-1, hot-dip galvanized	B	105,-	15,-	120,-
Drum Support FA 60-2, hot-dip galvanized	B	114,-	18,-	132,-
Drum Support FA 60-3, hot-dip galvanized	B	133,-	21,-	154,-
Drum Support FA 200-1, hot-dip galvanized	B	114,-	15,-	129,-
Drum Support FA 200-2, hot-dip galvanized	B	133,-	22,-	155,-
Can Shelf Type GR-A, galvanized	B	133,-	60,-	193,-
Can Shelf Type GR-B, galvanized	B	133,-	60,-	193,-
Can Shelf Type GR-C, galvanized	B	133,-	60,-	193,-
2030, painted	B	265,-	123,-	388,-
2031, hot-dip galvanized	B	310,-	123,-	433,-
2032, painted	B	365,-	123,-	488,-
Drum Support FA 60-1, hot-dip galvanized	B	105,-	15,-	120,-
Drum Support FA 60-2, hot-dip galvanized	B	114,-	18,-	132,-
Drum Support FA 60-3, hot-dip galvanized	B	133,-	21,-	154,-
Drum Support FA 200-1, hot-dip galvanized	B	114,-	15,-	129,-
Drum Support FA 200-2, hot-dip galvanized	B	133,-	22,-	155,-
Can Shelf Type GR-A, galvanized	B	133,-	60,-	193,-
Can Shelf Type GR-B, galvanized	B	133,-	60,-	193,-
Can Shelf Type GR-C, galvanized	B	133,-	60,-	193,-
2033, hot-dip galvanized	B	411,-	123,-	534,-
Drum Support FA 60-1, hot-dip galvanized	B	105,-	15,-	120,-
Drum Support FA 60-2, hot-dip galvanized	B	114,-	18,-	132,-
Drum Support FA 60-3, hot-dip galvanized	B	133,-	21,-	154,-
Drum Support FA 200-1, hot-dip galvanized	B	114,-	15,-	129,-
Drum Support FA 200-2, hot-dip galvanized	B	133,-	22,-	155,-
Can Shelf Type GR-A, galvanized	B	133,-	60,-	193,-
Can Shelf Type GR-B, galvanized	B	133,-	60,-	193,-
Can Shelf Type GR-C, galvanized	B	133,-	60,-	193,-
2040, painted	B	339,-	123,-	462,-
2041, hot-dip galvanized	B	411,-	123,-	534,-
2042, painted	B	439,-	191,-	630,-
Drum Support FA 60-1, hot-dip galvanized	B	105,-	15,-	120,-
Drum Support FA 60-2, hot-dip galvanized	B	114,-	18,-	132,-
Drum Support FA 60-3, hot-dip galvanized	B	133,-	21,-	154,-
Can Shelf Type GR-A, galvanized	B	133,-	60,-	193,-
Can Shelf Type GR-B, galvanized	B	133,-	60,-	193,-

Prices in EUR, valid EXW DE-46354 Südlohn, DE-38820 Halberstadt, unpacked
Freight charges valid CPT Spain, islands and oversea territories excluded

Price List 0424 en-ES

Environment / Storage



Sump Trays Type SERIES 2000	Category	Price	Freight charges	Price including freight charges
Can Shelf Type GR-C, galvanized	B	133,-	60,-	193,-
2043, hot-dip galvanized	B	511,-	191,-	702,-
Drum Support FA 60-1, hot-dip galvanized	B	105,-	15,-	120,-
Drum Support FA 60-2, hot-dip galvanized	B	114,-	18,-	132,-
Drum Support FA 60-3, hot-dip galvanized	B	133,-	21,-	154,-
Can Shelf Type GR-A, galvanized	B	133,-	60,-	193,-
Can Shelf Type GR-B, galvanized	B	133,-	60,-	193,-
Can Shelf Type GR-C, galvanized	B	133,-	60,-	193,-
2048, painted	B	261,-	123,-	384,-
2049, hot-dip galvanized	B	305,-	123,-	428,-
2050, painted	B	356,-	123,-	479,-
Drum Support FA 60-1, hot-dip galvanized	B	105,-	15,-	120,-
Drum Support FA 60-2, hot-dip galvanized	B	114,-	18,-	132,-
Drum Support FA 60-3, hot-dip galvanized	B	133,-	21,-	154,-
Can Shelf Type GR-A, galvanized	B	133,-	60,-	193,-
Can Shelf Type GR-B, galvanized	B	133,-	60,-	193,-
Can Shelf Type GR-C, galvanized	B	133,-	60,-	193,-
2051, hot-dip galvanized	B	400,-	123,-	523,-
Drum Support FA 60-1, hot-dip galvanized	B	105,-	15,-	120,-
Drum Support FA 60-2, hot-dip galvanized	B	114,-	18,-	132,-
Drum Support FA 60-3, hot-dip galvanized	B	133,-	21,-	154,-
Can Shelf Type GR-A, galvanized	B	133,-	60,-	193,-
Can Shelf Type GR-B, galvanized	B	133,-	60,-	193,-
Can Shelf Type GR-C, galvanized	B	133,-	60,-	193,-
Sump Trays Type SERIES 2000/SW	Category	Price	Freight charges	Price including freight charges
2002/SW, painted	B	412,-	123,-	535,-
2003/SW, hot-dip galvanized	B	448,-	123,-	571,-
2018/SW, painted	B	452,-	191,-	643,-
Drum Support FA 60-1, hot-dip galvanized	B	105,-	15,-	120,-
Drum Support FA 60-2, hot-dip galvanized	B	114,-	18,-	132,-
Drum Support FA 60-3, hot-dip galvanized	B	133,-	21,-	154,-
Drum Support FA 200-1, hot-dip galvanized	B	114,-	15,-	129,-
Can Shelf Type GR-A, galvanized	B	133,-	60,-	193,-
Can Shelf Type GR-B, galvanized	B	133,-	60,-	193,-
Can Shelf Type GR-C, galvanized	B	133,-	60,-	193,-
2019/SW, hot-dip galvanized	B	499,-	191,-	690,-
Drum Support FA 60-1, hot-dip galvanized	B	105,-	15,-	120,-
Drum Support FA 60-2, hot-dip galvanized	B	114,-	18,-	132,-
Drum Support FA 60-3, hot-dip galvanized	B	133,-	21,-	154,-
Drum Support FA 200-1, hot-dip galvanized	B	114,-	15,-	129,-
Can Shelf Type GR-A, galvanized	B	133,-	60,-	193,-
Can Shelf Type GR-B, galvanized	B	133,-	60,-	193,-
Can Shelf Type GR-C, galvanized	B	133,-	60,-	193,-
2032/SW, painted	B	533,-	191,-	724,-
Drum Support FA 60-1, hot-dip galvanized	B	105,-	15,-	120,-

Prices in EUR, valid EXW DE-46354 Südlohn, DE-38820 Halberstadt, unpacked
Freight charges valid CPT Spain, islands and oversea territories excluded

Price List 0424 en-ES

Environment / Storage



Sump Trays Type SERIES 2000/SW	Category	Price	Freight charges	Price including freight charges
Drum Support FA 60-2, hot-dip galvanized	B	114,-	18,-	132,-
Drum Support FA 60-3, hot-dip galvanized	B	133,-	21,-	154,-
Drum Support FA 200-1, hot-dip galvanized	B	114,-	15,-	129,-
Drum Support FA 200-2, hot-dip galvanized	B	133,-	22,-	155,-
Can Shelf Type GR-A, galvanized	B	133,-	60,-	193,-
Can Shelf Type GR-B, galvanized	B	133,-	60,-	193,-
Can Shelf Type GR-C, galvanized	B	133,-	60,-	193,-
2033/SW, hot-dip galvanized	B	579,-	191,-	770,-
Drum Support FA 60-1, hot-dip galvanized	B	105,-	15,-	120,-
Drum Support FA 60-2, hot-dip galvanized	B	114,-	18,-	132,-
Drum Support FA 60-3, hot-dip galvanized	B	133,-	21,-	154,-
Drum Support FA 200-1, hot-dip galvanized	B	114,-	15,-	129,-
Drum Support FA 200-2, hot-dip galvanized	B	133,-	22,-	155,-
Can Shelf Type GR-A, galvanized	B	133,-	60,-	193,-
Can Shelf Type GR-B, galvanized	B	133,-	60,-	193,-
Can Shelf Type GR-C, galvanized	B	133,-	60,-	193,-
2042/SW, painted	B	661,-	241,-	902,-
Drum Support FA 60-1, hot-dip galvanized	B	105,-	15,-	120,-
Drum Support FA 60-2, hot-dip galvanized	B	114,-	18,-	132,-
Drum Support FA 60-3, hot-dip galvanized	B	133,-	21,-	154,-
Can Shelf Type GR-A, galvanized	B	133,-	60,-	193,-
Can Shelf Type GR-B, galvanized	B	133,-	60,-	193,-
Can Shelf Type GR-C, galvanized	B	133,-	60,-	193,-
2043/SW, hot-dip galvanized	B	734,-	241,-	975,-
Drum Support FA 60-1, hot-dip galvanized	B	105,-	15,-	120,-
Drum Support FA 60-2, hot-dip galvanized	B	114,-	18,-	132,-
Drum Support FA 60-3, hot-dip galvanized	B	133,-	21,-	154,-
Can Shelf Type GR-A, galvanized	B	133,-	60,-	193,-
Can Shelf Type GR-B, galvanized	B	133,-	60,-	193,-
Can Shelf Type GR-C, galvanized	B	133,-	60,-	193,-
Mobile Sump Trays Type SERIES 2000	Category	Price	Freight charges	Price including freight charges
2004, painted	B	570,-	123,-	693,-
Fixture and Tension Belt for 1 x 200 Litre Drum	B	46,-	9,-	55,-
2005, hot-dip galvanized	B	634,-	123,-	757,-
Fixture and Tension Belt for 1 x 200 Litre Drum	B	46,-	9,-	55,-
2020, painted	B	633,-	123,-	756,-
Fixture and Tension Belt for 2 x 200 Litre Drums	B	46,-	9,-	55,-
2021, hot-dip galvanized	B	692,-	123,-	815,-
Fixture and Tension Belt for 2 x 200 Litre Drums	B	46,-	9,-	55,-
2050 SR, painted	B	685,-	123,-	808,-
Fixture and Tension Belt for 3 x 200 Litre Drums	B	46,-	9,-	55,-
2051 SR, hot-dip galvanized	B	740,-	191,-	931,-
Fixture and Tension Belt for 3 x 200 Litre Drums	B	46,-	9,-	55,-

Prices in EUR, valid EXW DE-46354 Südlohn, DE-38820 Halberstadt, unpacked
Freight charges valid CPT Spain, islands and oversea territories excluded

Price List 0424 en-ES

Environment / Storage



Drum Shelves with Sump Trays Type SERIES 3000	Category	Price	Freight charges	Price including freight charges
3000, hot-dip galvanized	B	1054,-	191,-	1245,-
Retainer Bar	B	46,-	12,-	58,-
Rotating Support RA 200, hot-dip galvanized	B	93,-	10,-	103,-
Can Stand Type GS, hot-dip galvanized	B	62,-	18,-	80,-
Crash Guard	B	54,-	9,-	63,-
3001, hot-dip galvanized	B	887,-	191,-	1078,-
Retainer Bar	B	46,-	12,-	58,-
Rotating Support RA 200, hot-dip galvanized	B	93,-	10,-	103,-
Can Stand Type GS, hot-dip galvanized	B	62,-	18,-	80,-
Crash Guard	B	54,-	9,-	63,-
3002, hot-dip galvanized	B	1255,-	241,-	1496,-
Retainer Bar	B	46,-	12,-	58,-
Rotating Support RA 200, hot-dip galvanized	B	93,-	10,-	103,-
Can Stand Type GS, hot-dip galvanized	B	62,-	18,-	80,-
Crash Guard	B	54,-	9,-	63,-
3003, hot-dip galvanized	B	1063,-	241,-	1304,-
Retainer Bar	B	46,-	12,-	58,-
Rotating Support RA 200, hot-dip galvanized	B	93,-	10,-	103,-
Can Stand Type GS, hot-dip galvanized	B	62,-	18,-	80,-
Crash Guard	B	54,-	9,-	63,-
3004, hot-dip galvanized	B	1298,-	191,-	1489,-
Retainer Bar	B	46,-	12,-	58,-
Rotating Support RA 60, hot-dip galvanized	B	93,-	9,-	102,-
Can Stand Type GS, hot-dip galvanized	B	62,-	18,-	80,-
Crash Guard	B	54,-	9,-	63,-
3005, hot-dip galvanized	B	1174,-	191,-	1365,-
Retainer Bar	B	46,-	12,-	58,-
Rotating Support RA 60, hot-dip galvanized	B	93,-	9,-	102,-
Can Stand Type GS, hot-dip galvanized	B	62,-	18,-	80,-
Crash Guard	B	54,-	9,-	63,-
3006, hot-dip galvanized	B	1639,-	327,-	1966,-
Retainer Bar	B	46,-	12,-	58,-
Rotating Support RA 60, hot-dip galvanized	B	93,-	9,-	102,-
Can Stand Type GS, hot-dip galvanized	B	62,-	18,-	80,-
Crash Guard	B	54,-	9,-	63,-
3007, hot-dip galvanized	B	1400,-	241,-	1641,-
Retainer Bar	B	46,-	12,-	58,-
Rotating Support RA 60, hot-dip galvanized	B	93,-	9,-	102,-
Can Stand Type GS, hot-dip galvanized	B	62,-	18,-	80,-
Crash Guard	B	54,-	9,-	63,-
3010, hot-dip galvanized	B	1244,-	241,-	1485,-
Retainer Bar	B	46,-	12,-	58,-
Rotating Support RA 200, hot-dip galvanized	B	93,-	10,-	103,-
Can Stand Type GS, hot-dip galvanized	B	62,-	18,-	80,-
Crash Guard	B	54,-	9,-	63,-
3011, hot-dip galvanized	B	1034,-	241,-	1275,-

Prices in EUR, valid EXW DE-46354 Südlohn, DE-38820 Halberstadt, unpacked
Freight charges valid CPT Spain, islands and oversea territories excluded

Price List 0424 en-ES

Environment / Storage



Drum Shelves with Sump Trays Type SERIES 3000	Category	Price	Freight charges	Price including freight charges
Retainer Bar	B	46,-	12,-	58,-
Rotating Support RA 200, hot-dip galvanized	B	93,-	10,-	103,-
Can Stand Type GS, hot-dip galvanized	B	62,-	18,-	80,-
Crash Guard	B	54,-	9,-	63,-

Small Can Shelves with Sumps Type SERIES 3000	Category	Price	Freight charges	Price including freight charges
3017-4E, galvanized	B	461,-	123,-	584,-
Grid Storage Level, hot dip-galvanized	B	59,-	10,-	69,-
Spill Tray, galvanized	B	96,-	10,-	106,-
Storage level for Drum Shelves	B	33,-	9,-	42,-
3018-4E, galvanized	B	383,-	123,-	506,-
Grid Storage Level, hot dip-galvanized	B	59,-	10,-	69,-
Spill Tray, galvanized	B	96,-	10,-	106,-
Storage level for Drum Shelves	B	33,-	9,-	42,-
3019-4E, galvanized	B	556,-	191,-	747,-
Grid Storage Level, hot dip-galvanized	B	59,-	10,-	69,-
Spill Tray, galvanized	B	96,-	10,-	106,-
Storage level for Drum Shelves	B	33,-	9,-	42,-
3020-4E, galvanized	B	476,-	191,-	667,-
Grid Storage Level, hot dip-galvanized	B	59,-	10,-	69,-
Spill Tray, galvanized	B	96,-	10,-	106,-
Storage level for Drum Shelves	B	33,-	9,-	42,-
3021-4E, galvanized	B	694,-	191,-	885,-
Grid Storage Level, hot dip-galvanized	B	59,-	10,-	69,-
Spill Tray, galvanized	B	96,-	10,-	106,-
Storage level for Drum Shelves	B	33,-	9,-	42,-
3022-4E, galvanized	B	604,-	123,-	727,-
Grid Storage Level, hot dip-galvanized	B	59,-	10,-	69,-
Spill Tray, galvanized	B	96,-	10,-	106,-
Storage level for Drum Shelves	B	33,-	9,-	42,-
3023-4E, galvanized	B	1122,-	241,-	1363,-
Grid Storage Level, hot dip-galvanized	B	59,-	10,-	69,-
Spill Tray, galvanized	B	96,-	10,-	106,-
Storage level for Drum Shelves	B	33,-	9,-	42,-
3024-4E, galvanized	B	935,-	241,-	1176,-
Grid Storage Level, hot dip-galvanized	B	59,-	10,-	69,-
Spill Tray, galvanized	B	96,-	10,-	106,-
Storage level for Drum Shelves	B	33,-	9,-	42,-

Shelves Type AG	Category	Price	Freight charges	Price including freight charges
AG 60-1, hot-dip galvanized	B	108,-	12,-	120,-
AG 60-2, hot-dip galvanized	B	113,-	14,-	127,-
AG 60-3, hot-dip galvanized	B	121,-	15,-	136,-

Prices in EUR, valid EXW DE-46354 Südlohn, DE-38820 Halberstadt, unpacked
Freight charges valid CPT Spain, islands and oversea territories excluded

Price List 0424 en-ES

Environment / Storage



Sump Tray Type AM	Category	Price	Freight charges	Price including freight charges
AM-1, painted	B	323,-	123,-	446,-
AM-1, hot-dip galvanized	B	366,-	123,-	489,-
AM-2, painted	B	357,-	123,-	480,-
Drum Support FA 60-1, hot-dip galvanized	B	105,-	15,-	120,-
Drum Support FA 60-2, hot-dip galvanized	B	114,-	18,-	132,-
Drum Support FA 60-3, hot-dip galvanized	B	133,-	21,-	154,-
Drum Support FA 200-1, hot-dip galvanized	B	114,-	15,-	129,-
Can Shelf Type GR-A, galvanized	B	133,-	60,-	193,-
Can Shelf Type GR-B, galvanized	B	133,-	60,-	193,-
Can Shelf Type GR-C, galvanized	B	133,-	60,-	193,-
AM-2, hot-dip galvanized	B	412,-	123,-	535,-
Drum Support FA 60-1, hot-dip galvanized	B	105,-	15,-	120,-
Drum Support FA 60-2, hot-dip galvanized	B	114,-	18,-	132,-
Drum Support FA 60-3, hot-dip galvanized	B	133,-	21,-	154,-
Drum Support FA 200-1, hot-dip galvanized	B	114,-	15,-	129,-
Can Shelf Type GR-A, galvanized	B	133,-	60,-	193,-
Can Shelf Type GR-B, galvanized	B	133,-	60,-	193,-
Can Shelf Type GR-C, galvanized	B	133,-	60,-	193,-
AM-4/A, painted	B	428,-	123,-	551,-
Drum Support FA 60-1, hot-dip galvanized	B	105,-	15,-	120,-
Drum Support FA 60-2, hot-dip galvanized	B	114,-	18,-	132,-
Drum Support FA 60-3, hot-dip galvanized	B	133,-	21,-	154,-
Drum Support FA 200-1, hot-dip galvanized	B	114,-	15,-	129,-
Drum Support FA 200-2, hot-dip galvanized	B	133,-	22,-	155,-
Can Shelf Type GR-A, galvanized	B	133,-	60,-	193,-
Can Shelf Type GR-B, galvanized	B	133,-	60,-	193,-
Can Shelf Type GR-C, galvanized	B	133,-	60,-	193,-
AM-4/A, hot-dip galvanized	B	482,-	191,-	673,-
Drum Support FA 60-1, hot-dip galvanized	B	105,-	15,-	120,-
Drum Support FA 60-2, hot-dip galvanized	B	114,-	18,-	132,-
Drum Support FA 60-3, hot-dip galvanized	B	133,-	21,-	154,-
Drum Support FA 200-1, hot-dip galvanized	B	114,-	15,-	129,-
Drum Support FA 200-2, hot-dip galvanized	B	133,-	22,-	155,-
Can Shelf Type GR-A, galvanized	B	133,-	60,-	193,-
Can Shelf Type GR-B, galvanized	B	133,-	60,-	193,-
Can Shelf Type GR-C, galvanized	B	133,-	60,-	193,-
AM-4/B, painted	B	514,-	191,-	705,-
Drum Support FA 60-1, hot-dip galvanized	B	105,-	15,-	120,-
Drum Support FA 60-2, hot-dip galvanized	B	114,-	18,-	132,-
Drum Support FA 60-3, hot-dip galvanized	B	133,-	21,-	154,-
Can Shelf Type GR-A, galvanized	B	133,-	60,-	193,-
Can Shelf Type GR-B, galvanized	B	133,-	60,-	193,-
Can Shelf Type GR-C, galvanized	B	133,-	60,-	193,-
AM-4/B, hot-dip galvanized	B	602,-	191,-	793,-
Drum Support FA 60-1, hot-dip galvanized	B	105,-	15,-	120,-
Drum Support FA 60-2, hot-dip galvanized	B	114,-	18,-	132,-

Prices in EUR, valid EXW DE-46354 Südlohn, DE-38820 Halberstadt, unpacked
Freight charges valid CPT Spain, islands and oversea territories excluded

Price List 0424 en-ES

Environment / Storage



Sump Tray Type AM	Category	Price	Freight charges	Price including freight charges
Drum Support FA 60-3, hot-dip galvanized	B	133,-	21,-	154,-
Can Shelf Type GR-A, galvanized	B	133,-	60,-	193,-
Can Shelf Type GR-B, galvanized	B	133,-	60,-	193,-
Can Shelf Type GR-C, galvanized	B	133,-	60,-	193,-

Sump Tray Type AO	Category	Price	Freight charges	Price including freight charges
AO-1, painted	B	282,-	123,-	405,-
AO-1, hot-dip galvanized	B	325,-	123,-	448,-
AO-2, painted	B	299,-	123,-	422,-
AO-2, hot-dip galvanized	B	354,-	123,-	477,-
AO-4/A, painted	B	311,-	123,-	434,-
AO-4/A, hot-dip galvanized	B	365,-	123,-	488,-
AO-4/B, painted	B	398,-	123,-	521,-
AO-4/B, hot-dip galvanized	B	483,-	123,-	606,-

Sump Tray Type AW	Category	Price	Freight charges	Price including freight charges
AW 450, painted	B	619,-	191,-	810,-
AW 450, hot-dip galvanized	B	768,-	191,-	959,-
AW 800, painted	B	644,-	191,-	835,-
AW 800, hot-dip galvanized	B	802,-	191,-	993,-
AW 1000, painted	B	649,-	191,-	840,-
AW 1000, hot-dip galvanized	B	809,-	191,-	1000,-
AW 1000-2, painted	B	831,-	327,-	1158,-
AW 1000-2, hot-dip galvanized	B	933,-	327,-	1260,-
AW 1000-3, hot-dip galvanized	B	1585,-	390,-	1975,-
AW 1000-3, painted	B	1472,-	327,-	1799,-
AW 1000-10F, painted	B	997,-	327,-	1324,-
AW 1000-10F, hot-dip galvanized	B	1154,-	327,-	1481,-

Sump Tray Type AW/SW	Category	Price	Freight charges	Price including freight charges
AW 450/SW, painted	B	815,-	191,-	1006,-
AW 450/SW, hot-dip galvanized	B	964,-	277,-	1241,-
AW 800/SW, painted	B	839,-	277,-	1116,-
AW 800/SW, hot-dip galvanized	B	997,-	277,-	1274,-
AW 1000/SW, painted	B	844,-	277,-	1121,-
AW 1000/SW, hot-dip galvanized	B	1006,-	277,-	1283,-
AW 1000-2/SW, painted	B	1054,-	327,-	1381,-
AW 1000-2/SW, hot-dip galvanized	B	1155,-	390,-	1545,-
AW 1000-3/SW, painted	B	1726,-	390,-	2116,-
AW 1000-3/SW, hot-dip galvanized	B	2049,-	526,-	2575,-
AW 1000-10F/SW, painted	B	1340,-	390,-	1730,-
AW 1000-10F/SW, hot-dip galvanized	B	1495,-	390,-	1885,-

Mobile Sump Tray AW 60-1 SR	Category	Price	Freight charges	Price including freight charges
AW 60-1 SR, painted	B	314,-	123,-	437,-

Prices in EUR, valid EXW DE-46354 Südlohn, DE-38820 Halberstadt, unpacked
Freight charges valid CPT Spain, islands and oversea territories excluded

Price List 0424 en-ES

Environment / Storage



Mobile Sump Tray AW 60-1 SR	Category	Price	Freight charges	Price including freight charges
Fixture and Tension belt for 2 x 60 Litre Drums	B	43,-	8,-	51,-
AW 60-1 SR, hot-dip galvanized	B	333,-	123,-	456,-
Fixture and Tension belt for 2 x 60 Litre Drums	B	43,-	8,-	51,-
Mobile Sump Tray AW 60-1 SRF	Category	Price	Freight charges	Price including freight charges
AW 60-1 SRF, painted	B	414,-	123,-	537,-
AW 60-1 SRF, hot-dip galvanized	B	435,-	123,-	558,-
Sump Tray Type AW 60	Category	Price	Freight charges	Price including freight charges
AW 60-1, painted	B	170,-	60,-	230,-
Grid GR 60-1, hot-dip galvanized	B	22,-	8,-	30,-
Drum Support FA 60-A for Drum Shelf AG 60, galvanized	B	24,-	8,-	32,-
Rotating Support RA 60-A, hot-dip galvanized	B	93,-	9,-	102,-
AG 60-1, hot-dip galvanized	B	108,-	12,-	120,-
Canister Stand AB, galvanized	B	18,-	8,-	26,-
Castor Set, polyamide, Load capacity 375 kg / castor set	B	83,-	15,-	98,-
AW 60-1, hot-dip galvanized	B	182,-	60,-	242,-
Grid GR 60-1, hot-dip galvanized	B	22,-	8,-	30,-
Drum Support FA 60-A for Drum Shelf AG 60, galvanized	B	24,-	8,-	32,-
Rotating Support RA 60-A, hot-dip galvanized	B	93,-	9,-	102,-
AG 60-1, hot-dip galvanized	B	108,-	12,-	120,-
Canister Stand AB, galvanized	B	18,-	8,-	26,-
Castor Set, polyamide, Load capacity 375 kg / castor set	B	83,-	15,-	98,-
AW 60-2, painted	B	171,-	123,-	294,-
Grid GR 60-2, hot-dip galvanized	B	26,-	12,-	38,-
Drum Support FA 60-A for Drum Shelf AG 60, galvanized	B	24,-	8,-	32,-
Rotating Support RA 60-A, hot-dip galvanized	B	93,-	9,-	102,-
AG 60-2, hot-dip galvanized	B	113,-	14,-	127,-
Canister Stand AB, galvanized	B	18,-	8,-	26,-
Castor Set, polyamide, Load capacity 375 kg / castor set	B	83,-	15,-	98,-
AW 60-2, hot-dip galvanized	B	188,-	123,-	311,-
Grid GR 60-2, hot-dip galvanized	B	26,-	12,-	38,-
Drum Support FA 60-A for Drum Shelf AG 60, galvanized	B	24,-	8,-	32,-
Rotating Support RA 60-A, hot-dip galvanized	B	93,-	9,-	102,-
AG 60-2, hot-dip galvanized	B	113,-	14,-	127,-
Canister Stand AB, galvanized	B	18,-	8,-	26,-
Castor Set, polyamide, Load capacity 375 kg / castor set	B	83,-	15,-	98,-
AW 60-3, painted	B	186,-	123,-	309,-
Grid GR 60-3, hot-dip galvanized	B	38,-	14,-	52,-
Drum Support FA 60-A for Drum Shelf AG 60, galvanized	B	24,-	8,-	32,-
Rotating Support RA 60-A, hot-dip galvanized	B	93,-	9,-	102,-
AG 60-3, hot-dip galvanized	B	121,-	15,-	136,-
Canister Stand AB, galvanized	B	18,-	8,-	26,-
Castor Set, polyamide, Load capacity 375 kg / castor set	B	83,-	15,-	98,-
AW 60-3, hot-dip galvanized	B	209,-	123,-	332,-

Prices in EUR, valid EXW DE-46354 Südlohn, DE-38820 Halberstadt, unpacked
Freight charges valid CPT Spain, islands and oversea territories excluded

Price List 0424 en-ES

Environment / Storage



Sump Tray Type AW 60	Category	Price	Freight charges	Price including freight charges
Grid GR 60-3, hot-dip galvanized	B	38,-	14,-	52,-
Drum Support FA 60-A for Drum Shelf AG 60, galvanized	B	24,-	8,-	32,-
Rotating Support RA 60-A, hot-dip galvanized	B	93,-	9,-	102,-
AG 60-3, hot-dip galvanized	B	121,-	15,-	136,-
Canister Stand AB, galvanized	B	18,-	8,-	26,-
Castor Set, polyamide, Load capacity 375 kg / castor set	B	83,-	15,-	98,-
Sump Tray Type AW 60/M	Category	Price	Freight charges	Price including freight charges
AW 60-1/M, painted	B	189,-	123,-	312,-
Drum Support FA 60-A for Drum Shelf AG 60, galvanized	B	24,-	8,-	32,-
Rotating Support RA 60-A, hot-dip galvanized	B	93,-	9,-	102,-
AG 60-1, hot-dip galvanized	B	108,-	12,-	120,-
Canister Stand AB, galvanized	B	18,-	8,-	26,-
Castor Set, polyamide, Load capacity 375 kg / castor set	B	83,-	15,-	98,-
AW 60-1/M, hot-dip galvanized	B	203,-	123,-	326,-
Drum Support FA 60-A for Drum Shelf AG 60, galvanized	B	24,-	8,-	32,-
Rotating Support RA 60-A, hot-dip galvanized	B	93,-	9,-	102,-
AG 60-1, hot-dip galvanized	B	108,-	12,-	120,-
Canister Stand AB, galvanized	B	18,-	8,-	26,-
Castor Set, polyamide, Load capacity 375 kg / castor set	B	83,-	15,-	98,-
AW 60-2/M, painted	B	196,-	123,-	319,-
Drum Support FA 60-A for Drum Shelf AG 60, galvanized	B	24,-	8,-	32,-
Drum Support FA 60-2, hot-dip galvanized	B	114,-	18,-	132,-
Rotating Support RA 60-A, hot-dip galvanized	B	93,-	9,-	102,-
AG 60-2, hot-dip galvanized	B	113,-	14,-	127,-
Canister Stand AB, galvanized	B	18,-	8,-	26,-
Castor Set, polyamide, Load capacity 375 kg / castor set	B	83,-	15,-	98,-
AW 60-2/M, hot-dip galvanized	B	213,-	123,-	336,-
Drum Support FA 60-A for Drum Shelf AG 60, galvanized	B	24,-	8,-	32,-
Drum Support FA 60-2, hot-dip galvanized	B	114,-	18,-	132,-
Rotating Support RA 60-A, hot-dip galvanized	B	93,-	9,-	102,-
AG 60-2, hot-dip galvanized	B	113,-	14,-	127,-
Canister Stand AB, galvanized	B	18,-	8,-	26,-
Castor Set, polyamide, Load capacity 375 kg / castor set	B	83,-	15,-	98,-
AW 60-3/M, painted	B	224,-	123,-	347,-
Drum Support FA 60-A for Drum Shelf AG 60, galvanized	B	24,-	8,-	32,-
Drum Support FA 60-2, hot-dip galvanized	B	114,-	18,-	132,-
Drum Support FA 60-3, hot-dip galvanized	B	133,-	21,-	154,-
Rotating Support RA 60-A, hot-dip galvanized	B	93,-	9,-	102,-
AG 60-3, hot-dip galvanized	B	121,-	15,-	136,-
Canister Stand AB, galvanized	B	18,-	8,-	26,-
Castor Set, polyamide, Load capacity 375 kg / castor set	B	83,-	15,-	98,-
AW 60-3/M, hot-dip galvanized	B	245,-	123,-	368,-
Drum Support FA 60-A for Drum Shelf AG 60, galvanized	B	24,-	8,-	32,-
Drum Support FA 60-2, hot-dip galvanized	B	114,-	18,-	132,-
Drum Support FA 60-3, hot-dip galvanized	B	133,-	21,-	154,-

Prices in EUR, valid EXW DE-46354 Südlohn, DE-38820 Halberstadt, unpacked
Freight charges valid CPT Spain, islands and oversea territories excluded

Price List 0424 en-ES

Environment / Storage



Sump Tray Type AW 60/M	Category	Price	Freight charges	Price including freight charges
Rotating Support RA 60-A, hot-dip galvanized	B	93,-	9,-	102,-
AG 60-3, hot-dip galvanized	B	121,-	15,-	136,-
Canister Stand AB, galvanized	B	18,-	8,-	26,-
Castor Set, polyamide, Load capacity 375 kg / castor set	B	83,-	15,-	98,-

Sump Tray Type AW/PE	Category	Price	Freight charges	Price including freight charges
AW-1/PE, painted	B	635,-	123,-	758,-
AW-1/PE, hot-dip galvanized	B	664,-	123,-	787,-
AW-2/PE, painted	B	696,-	123,-	819,-
Drum Support FA 60-1, hot-dip galvanized	B	105,-	15,-	120,-
Drum Support FA 60-2, hot-dip galvanized	B	114,-	18,-	132,-
Drum Support FA 60-3, hot-dip galvanized	B	133,-	21,-	154,-
Drum Support FA 200-1, hot-dip galvanized	B	114,-	15,-	129,-
Can Shelf Type GR-A, galvanized	B	133,-	60,-	193,-
Can Shelf Type GR-B, galvanized	B	133,-	60,-	193,-
Can Shelf Type GR-C, galvanized	B	133,-	60,-	193,-
AW-2/PE, hot-dip galvanized	B	731,-	123,-	854,-
Drum Support FA 60-1, hot-dip galvanized	B	105,-	15,-	120,-
Drum Support FA 60-2, hot-dip galvanized	B	114,-	18,-	132,-
Drum Support FA 60-3, hot-dip galvanized	B	133,-	21,-	154,-
Drum Support FA 200-1, hot-dip galvanized	B	114,-	15,-	129,-
Can Shelf Type GR-A, galvanized	B	133,-	60,-	193,-
Can Shelf Type GR-B, galvanized	B	133,-	60,-	193,-
Can Shelf Type GR-C, galvanized	B	133,-	60,-	193,-
AW-4/A/PE, painted	B	790,-	191,-	981,-
Drum Support FA 60-1, hot-dip galvanized	B	105,-	15,-	120,-
Drum Support FA 60-2, hot-dip galvanized	B	114,-	18,-	132,-
Drum Support FA 60-3, hot-dip galvanized	B	133,-	21,-	154,-
Drum Support FA 200-1, hot-dip galvanized	B	114,-	15,-	129,-
Drum Support FA 200-2, hot-dip galvanized	B	133,-	22,-	155,-
Can Shelf Type GR-A, galvanized	B	133,-	60,-	193,-
Can Shelf Type GR-B, galvanized	B	133,-	60,-	193,-
Can Shelf Type GR-C, galvanized	B	133,-	60,-	193,-
AW-4/A/PE, hot-dip galvanized	B	829,-	191,-	1020,-
Drum Support FA 60-1, hot-dip galvanized	B	105,-	15,-	120,-
Drum Support FA 60-2, hot-dip galvanized	B	114,-	18,-	132,-
Drum Support FA 60-3, hot-dip galvanized	B	133,-	21,-	154,-
Drum Support FA 200-1, hot-dip galvanized	B	114,-	15,-	129,-
Drum Support FA 200-2, hot-dip galvanized	B	133,-	22,-	155,-
Can Shelf Type GR-A, galvanized	B	133,-	60,-	193,-
Can Shelf Type GR-B, galvanized	B	133,-	60,-	193,-
Can Shelf Type GR-C, galvanized	B	133,-	60,-	193,-
AW-4/B/PE, painted	B	986,-	241,-	1227,-
Drum Support FA 60-1, hot-dip galvanized	B	105,-	15,-	120,-
Drum Support FA 60-2, hot-dip galvanized	B	114,-	18,-	132,-
Drum Support FA 60-3, hot-dip galvanized	B	133,-	21,-	154,-

Prices in EUR, valid EXW DE-46354 Südlohn, DE-38820 Halberstadt, unpacked
Freight charges valid CPT Spain, islands and oversea territories excluded

Price List 0424 en-ES

Environment / Storage



Sump Tray Type AW/PE	Category	Price	Freight charges	Price including freight charges
Can Shelf Type GR-A, galvanized	B	133,-	60,-	193,-
Can Shelf Type GR-B, galvanized	B	133,-	60,-	193,-
Can Shelf Type GR-C, galvanized	B	133,-	60,-	193,-
AW-4/B/PE, hot-dip galvanized	B	1058,-	241,-	1299,-
Drum Support FA 60-1, hot-dip galvanized	B	105,-	15,-	120,-
Drum Support FA 60-2, hot-dip galvanized	B	114,-	18,-	132,-
Drum Support FA 60-3, hot-dip galvanized	B	133,-	21,-	154,-
Can Shelf Type GR-A, galvanized	B	133,-	60,-	193,-
Can Shelf Type GR-B, galvanized	B	133,-	60,-	193,-
Can Shelf Type GR-C, galvanized	B	133,-	60,-	193,-
AW 1000/PE, painted	B	1339,-	277,-	1616,-
AW 1000/PE, hot-dip galvanized	B	1521,-	277,-	1798,-
AW 1000-2/PE, painted	B	1642,-	327,-	1969,-
AW 1000-2/PE, hot-dip galvanized	B	1756,-	327,-	2083,-

Sump Trays AW 8-12	Category	Price	Freight charges	Price including freight charges
AW-8, painted	B	707,-	241,-	948,-
AW-8, hot-dip galvanized	B	787,-	327,-	1114,-
AW-10, painted	B	873,-	327,-	1200,-
AW-10, hot-dip galvanized	B	1197,-	327,-	1524,-
AW-12, painted	B	1000,-	327,-	1327,-
AW-12, hot-dip galvanized	B	1382,-	327,-	1709,-

Sump Tray Type AWA	Category	Price	Freight charges	Price including freight charges
AWA 1000, painted	B	834,-	191,-	1025,-
AWA 1000, hot-dip galvanized	B	1009,-	277,-	1286,-
AWA 1000-2, painted	B	1197,-	327,-	1524,-
AWA 1000-2, hot-dip galvanized	B	1327,-	327,-	1654,-
AWA 1000-3, painted	B	2177,-	390,-	2567,-
AWA 1000-3, hot-dip galvanized	B	2304,-	526,-	2830,-
AWA 21, painted	B	1012,-	327,-	1339,-
AWA 21, hot-dip galvanized	B	1142,-	327,-	1469,-
AWA 31, painted	B	1889,-	390,-	2279,-
AWA 31, hot-dip galvanized	B	2006,-	390,-	2396,-
AWA 32, painted	B	2055,-	390,-	2445,-
AWA 32, hot-dip galvanized	B	2173,-	390,-	2563,-

Sump Tray Type AWA/SW	Category	Price	Freight charges	Price including freight charges
AWA 1000/SW, painted	B	1028,-	277,-	1305,-
AWA 1000/SW, hot-dip galvanized	B	1203,-	277,-	1480,-
AWA 1000-2/SW, painted	B	1422,-	390,-	1812,-
AWA 1000-2/SW, hot-dip galvanized	B	1550,-	390,-	1940,-
AWA 1000-3/SW, painted	B	2432,-	526,-	2958,-
AWA 1000-3/SW, hot-dip galvanized	B	2558,-	526,-	3084,-
AWA 21/SW, painted	B	1234,-	390,-	1624,-

Prices in EUR, valid EXW DE-46354 Südlohn, DE-38820 Halberstadt, unpacked
 Freight charges valid CPT Spain, islands and oversea territories excluded

Price List 0424 en-ES

Environment / Storage



Sump Tray Type AWA/SW	Category	Price	Freight charges	Price including freight charges
AWA 21/SW, hot-dip galvanized	B	1365,-	390,-	1755,-
AWA 31/SW, painted	B	2142,-	526,-	2668,-
AWA 31/SW, hot-dip galvanized	B	2259,-	526,-	2785,-
AWA 32/SW, painted	B	2307,-	526,-	2833,-
AWA 32/SW, hot-dip galvanized	B	2427,-	526,-	2953,-

Sump Tray Type AW-F	Category	Price	Freight charges	Price including freight charges
AW-F 1, painted	B	634,-	123,-	757,-
Fixture and Tension Belt for 1 x 200 Litre Drum	B	46,-	9,-	55,-
AW-F 1, hot-dip galvanized	B	753,-	123,-	876,-
Fixture and Tension Belt for 1 x 200 Litre Drum	B	46,-	9,-	55,-
AW-F 2, painted	B	664,-	123,-	787,-
Fixture and Tension Belt for 2 x 200 Litre Drums	B	46,-	9,-	55,-
AW-F 2, hot-dip galvanized	B	813,-	123,-	936,-
Fixture and Tension Belt for 2 x 200 Litre Drums	B	46,-	9,-	55,-

Ground Protection Spill Tray Type BSW	Category	Price	Freight charges	Price including freight charges
BSW 21, galvanized	B	433,-	191,-	624,-
Access Ramp AR 21, galvanized	B	160,-	22,-	182,-
Access Corner Piece AE 24, galvanized	B	125,-	10,-	135,-
Cross-Shaped Connector KV 24, galvanized	B	19,-	8,-	27,-
Tray Connecting Strip WV 21, galvanized	B	21,-	8,-	29,-
BSW 22, galvanized	B	570,-	191,-	761,-
Access Ramp AR 21, galvanized	B	160,-	22,-	182,-
Access Ramp AR 22, galvanized	B	203,-	32,-	235,-
Access Corner Piece AE 24, galvanized	B	125,-	10,-	135,-
Cross-Shaped Connector KV 24, galvanized	B	19,-	8,-	27,-
Tray Connecting Strip WV 21, galvanized	B	21,-	8,-	29,-
Tray Connecting Strip WV 22, galvanized	B	23,-	8,-	31,-
BSW 23, galvanized	B	738,-	299,-	1037,-
Access Ramp AR 23, galvanized	B	289,-	173,-	462,-
Access Ramp AR 21, galvanized	B	160,-	22,-	182,-
Access Corner Piece AE 24, galvanized	B	125,-	10,-	135,-
Cross-Shaped Connector KV 24, galvanized	B	19,-	8,-	27,-
Tray Connecting Strip WV 21, galvanized	B	21,-	8,-	29,-
Tray Connecting Strip WV 23, galvanized	B	35,-	9,-	44,-
BSW 24, galvanized	B	1295,-	378,-	1673,-
Access Ramp AR 23, galvanized	B	289,-	173,-	462,-
Access Ramp AR 22, galvanized	B	203,-	32,-	235,-
Access Corner Piece AE 24, galvanized	B	125,-	10,-	135,-
Cross-Shaped Connector KV 24, galvanized	B	19,-	8,-	27,-
Tray Connecting Strip WV 22, galvanized	B	23,-	8,-	31,-
Tray Connecting Strip WV 23, galvanized	B	35,-	9,-	44,-
BSW 121, galvanized	B	192,-	60,-	252,-
Access Ramp AR 121, galvanized	B	157,-	22,-	179,-

Prices in EUR, valid EXW DE-46354 Südlohn, DE-38820 Halberstadt, unpacked
Freight charges valid CPT Spain, islands and oversea territories excluded

Price List 0424 en-ES

Environment / Storage



Ground Protection Spill Tray Type BSW	Category	Price	Freight charges	Price including freight charges
Cross-Shaped Connector KV 24, galvanized	B	19,-	8,-	27,-
Tray Connecting Strip WV 121, galvanized	B	20,-	9,-	29,-
BSW 122, galvanized	B	234,-	123,-	357,-
Access Ramp AR 121, galvanized	B	157,-	22,-	179,-
Access Ramp AR 122, galvanized	B	265,-	36,-	301,-
Access Corner Piece AE 124, galvanized	B	252,-	21,-	273,-
Cross-Shaped Connector KV 24, galvanized	B	19,-	8,-	27,-
Tray Connecting Strip WV 121, galvanized	B	20,-	9,-	29,-
Tray Connecting Strip WV 122, galvanized	B	25,-	9,-	34,-
BSW 123, galvanized	B	327,-	123,-	450,-
Access Ramp AR 122, galvanized	B	265,-	36,-	301,-
Access Corner Piece AE 124, galvanized	B	252,-	21,-	273,-
Cross-Shaped Connector KV 24, galvanized	B	19,-	8,-	27,-
Tray Connecting Strip WV 122, galvanized	B	25,-	9,-	34,-
BSW 124, galvanized	B	534,-	191,-	725,-
Access Ramp AR 122, galvanized	B	265,-	36,-	301,-
Access Ramp AR 123, galvanized	B	326,-	191,-	517,-
Access Corner Piece AE 124, galvanized	B	252,-	21,-	273,-
Cross-Shaped Connector KV 24, galvanized	B	19,-	8,-	27,-
Tray Connecting Strip WV 122, galvanized	B	25,-	9,-	34,-
Tray Connecting Strip WV 123, galvanized	B	34,-	9,-	43,-
BSW 125, galvanized	B	411,-	241,-	652,-
Access Ramp AR 121, galvanized	B	157,-	22,-	179,-
Access Ramp AR 124, galvanized	B	378,-	241,-	619,-
Access Corner Piece AE 124, galvanized	B	252,-	21,-	273,-
Cross-Shaped Connector KV 24, galvanized	B	19,-	8,-	27,-
Tray Connecting Strip WV 121, galvanized	B	20,-	9,-	29,-
Tray Connecting Strip WV 124, galvanized	B	47,-	9,-	56,-
BSW 126, galvanized	B	645,-	327,-	972,-
Access Ramp AR 122, galvanized	B	265,-	36,-	301,-
Access Ramp AR 124, galvanized	B	378,-	241,-	619,-
Access Corner Piece AE 124, galvanized	B	252,-	21,-	273,-
Cross-Shaped Connector KV 24, galvanized	B	19,-	8,-	27,-
Tray Connecting Strip WV 122, galvanized	B	25,-	9,-	34,-
Tray Connecting Strip WV 124, galvanized	B	47,-	9,-	56,-
Polyethylene Bunded Spill Flooring Type BWP-PE	Category	Price	Freight charges	Price including freight charges
BWP-PE 150, made of robust polyethylene	B	305,-	123,-	428,-
Ramp Type BWR, robust polyethylene, black	B	214,-	12,-	226,-
Joining Element BWV 2, stainless steel 1.4301	B	28,-	9,-	37,-
BWP-PE 300, made of robust polyethylene	B	619,-	123,-	742,-
Ramp Type BWR, robust polyethylene, black	B	214,-	12,-	226,-
Joining Element BWV 4, stainless steel 1.4301	B	36,-	10,-	46,-

Prices in EUR, valid EXW DE-46354 Südlohn, DE-38820 Halberstadt, unpacked
Freight charges valid CPT Spain, islands and oversea territories excluded

Price List 0424 en-ES

Environment / Storage



Polyethylene Bunded Spill Flooring Type BWPS-PE	Category	Price	Freight charges	Price including freight charges
BWPS-PE 300, made of robust polyethylene	B	759,-	173,-	932,-
Ramp Type BWR, robust polyethylene, black	B	214,-	12,-	226,-
Joining Element BWV 2, stainless steel 1.4301	B	28,-	9,-	37,-

Shelf Container Type CEH	Category	Price	Freight charges	Price including freight charges
CEH 29-2, painted	C	8832,-	on request	on request
CEH 29-2 IBC, painted	C	9735,-	on request	on request
CEH 36-2 IBC, painted	C	11330,-	on request	on request
CEH 38-2, painted	C	11322,-	on request	on request
CEH 59-2, painted	C	16765,-	on request	on request
CEH 59-2 IBC, painted	C	17999,-	on request	on request
CEH 75-2 IBC, painted	C	21334,-	on request	on request
CEH 81-2, painted	C	21762,-	on request	on request

Shelf Container Type CEN	Category	Price	Freight charges	Price including freight charges
CEN 29-2, painted	C	7453,-	on request	on request
Potential equalisation	C	177,-	0,-	177,-
CEN 29-2 IBC, painted	C	8136,-	on request	on request
Potential equalisation	C	177,-	0,-	177,-
CEN 29-2b, painted	C	12990,-	on request	on request
Potential equalisation	C	353,-	0,-	353,-
CEN 29-2b IBC, painted	C	13892,-	on request	on request
Potential equalisation	C	353,-	0,-	353,-
CEN 29-3, painted	C	11729,-	on request	on request
Potential equalisation	C	264,-	0,-	264,-
CEN 29-3 IBC, painted	C	12480,-	on request	on request
Potential equalisation	C	264,-	0,-	264,-
CEN 29-3b, painted	C	19088,-	on request	on request
Potential equalisation	C	527,-	0,-	527,-
CEN 29-3b IBC, painted	C	20156,-	on request	on request
Potential equalisation	C	527,-	0,-	527,-
CEN 33-2 IBC, painted	C	9075,-	on request	on request
Potential equalisation	C	177,-	0,-	177,-
CEN 33-2b IBC, painted	C	15207,-	on request	on request
Potential equalisation	C	353,-	0,-	353,-
CEN 33-3 IBC, painted	C	13380,-	on request	on request
Potential equalisation	C	264,-	0,-	264,-
CEN 33-3b IBC, painted	C	21273,-	on request	on request
Potential equalisation	C	527,-	0,-	527,-
CEN 36-2, painted	C	9149,-	on request	on request
Potential equalisation	C	177,-	0,-	177,-
CEN 36-2b, painted	C	15565,-	on request	on request
Potential equalisation	C	353,-	0,-	353,-
CEN 36-3, painted	C	13571,-	on request	on request
Potential equalisation	C	264,-	0,-	264,-

Prices in EUR, valid EXW DE-46354 Südlohn, DE-38820 Halberstadt, unpacked
Freight charges valid CPT Spain, islands and oversea territories excluded

Price List 0424 en-ES

Environment / Storage



Shelf Container Type CEN	Category	Price	Freight charges	Price including freight charges
CEN 36-3b, painted	C	21925,-	on request	on request
Potential equalisation	C	527,-	0,-	527,-
CEN 59-2, painted	C	12340,-	on request	on request
Potential equalisation	C	352,-	0,-	352,-
CEN 59-2 IBC, painted	C	13446,-	on request	on request
Potential equalisation	C	352,-	0,-	352,-
CEN 59-2b, painted	C	21238,-	on request	on request
Potential equalisation	C	704,-	0,-	704,-
CEN 59-2b IBC, painted	C	21984,-	on request	on request
Potential equalisation	C	704,-	0,-	704,-
CEN 59-3, painted	C	18998,-	on request	on request
Potential equalisation	C	526,-	0,-	526,-
CEN 59-3 IBC, painted	C	20108,-	on request	on request
Potential equalisation	C	526,-	0,-	526,-
CEN 59-3b, painted	C	30667,-	on request	on request
Potential equalisation	C	1052,-	0,-	1052,-
CEN 59-3b IBC, painted	C	32274,-	on request	on request
Potential equalisation	C	1052,-	0,-	1052,-
CEN 65-2 IBC, painted	C	14494,-	on request	on request
Potential equalisation	C	352,-	0,-	352,-
CEN 65-2b IBC, painted	C	24443,-	on request	on request
Potential equalisation	C	704,-	0,-	704,-
CEN 65-3 IBC, painted	C	21255,-	on request	on request
Potential equalisation	C	526,-	0,-	526,-
CEN 65-3b IBC, painted	C	34704,-	on request	on request
Potential equalisation	C	1052,-	0,-	1052,-
CEN 75-2, painted	C	15462,-	on request	on request
Potential equalisation	C	352,-	0,-	352,-
CEN 75-2b, painted	C	25589,-	on request	on request
Potential equalisation	C	704,-	0,-	704,-
CEN 75-3, painted	C	22305,-	on request	on request
Potential equalisation	C	526,-	0,-	526,-
CEN 75-3b, painted	C	36212,-	on request	on request
Potential equalisation	C	1052,-	0,-	1052,-
CEN 81-2, painted	C	16220,-	on request	on request
Potential equalisation	C	352,-	0,-	352,-
CEN 81-2b, painted	C	26755,-	on request	on request
Potential equalisation	C	704,-	0,-	704,-
CEN 81-3, painted	C	23356,-	on request	on request
Potential equalisation	C	526,-	0,-	526,-
CEN 81-3b, painted	C	37796,-	on request	on request
Potential equalisation	C	1052,-	0,-	1052,-
Sump Tray for Skips Type CW	Category	Price	Freight charges	Price including freight charges
CW 1, painted	B	2852,-	on request	on request
CW 2, painted	B	3116,-	on request	on request

Prices in EUR, valid EXW DE-46354 Südlohn, DE-38820 Halberstadt, unpacked
Freight charges valid CPT Spain, islands and oversea territories excluded

Price List 0424 en-ES

Environment / Storage



Sump Tray for Skips Type CW	Category	Price	Freight charges	Price including freight charges
CW 3, painted	B	3596,-	on request	on request

Sump Tray Type ECO	Category	Price	Freight charges	Price including freight charges
ECO 1/200, painted	B	237,-	123,-	360,-
ECO 1/200, hot-dip galvanized	B	247,-	123,-	370,-
ECO 2/200, painted	B	252,-	123,-	375,-
ECO 2/200, hot-dip galvanized	B	260,-	123,-	383,-
ECO 4/200, painted	B	275,-	123,-	398,-
ECO 4/200, hot-dip galvanized	B	286,-	123,-	409,-
ECO 4/400, painted	B	342,-	123,-	465,-
ECO 4/400, hot-dip galvanized	B	357,-	123,-	480,-
ECO 1/1000, painted	B	610,-	191,-	801,-
ECO 1/1000, hot-dip galvanized	B	733,-	191,-	924,-
ECO 2/1000, painted	B	798,-	241,-	1039,-
ECO 2/1000, hot-dip galvanized	B	884,-	241,-	1125,-

Sump Tray Type ECO-A	Category	Price	Freight charges	Price including freight charges
ECO-A 1/1000, painted	B	802,-	191,-	993,-
ECO-A 1/1000, hot-dip galvanized	B	938,-	191,-	1129,-
ECO-A 2/1000, painted	B	1179,-	327,-	1506,-
ECO-A 2/1000, hot-dip galvanized	B	1295,-	327,-	1622,-

Sump Tray Type ECO-S	Category	Price	Freight charges	Price including freight charges
ECO-S 2/200, hot-dip galvanized	B	3330,-	495,-	3825,-
ECO-S 4/200, hot-dip galvanized	B	3915,-	765,-	4680,-
ECO-S 4/400, hot-dip galvanized	B	4830,-	765,-	5595,-

Suspended Sump with Polyethylene Inlay Type EHW PE	Category	Price	Freight charges	Price including freight charges
EHW 1800 PE, painted	B	878,-	191,-	1069,-
EHW 1800 PE, hot-dip galvanized	B	890,-	191,-	1081,-
EHW 2200 PE, painted	B	953,-	191,-	1144,-
EHW 2200 PE, hot-dip galvanized	B	993,-	191,-	1184,-
EHW 2700 PE, painted	B	1105,-	327,-	1432,-
EHW 2700 PE, hot-dip galvanized	B	1170,-	327,-	1497,-
EHW 3300 PE, painted	B	1597,-	327,-	1924,-
EHW 3300 PE, hot-dip galvanized	B	1668,-	327,-	1995,-

Suspended Sump Type EHW	Category	Price	Freight charges	Price including freight charges
EHW 1800, painted	B	491,-	191,-	682,-
EHW 1800, hot-dip galvanized	B	503,-	191,-	694,-
EHW 2200, painted	B	544,-	191,-	735,-
EHW 2200, hot-dip galvanized	B	584,-	191,-	775,-
EHW 2700, painted	B	626,-	241,-	867,-
EHW 2700, hot-dip galvanized	B	692,-	241,-	933,-
EHW 3300, painted	B	968,-	329,-	1297,-

Prices in EUR, valid EXW DE-46354 Südlohn, DE-38820 Halberstadt, unpacked
Freight charges valid CPT Spain, islands and oversea territories excluded

Price List 0424 en-ES

Environment / Storage



Suspended Sump Type EHW	Category	Price	Freight charges	Price including freight charges
EHW 3300, hot-dip galvanized	B	1039,-	329,-	1368,-
EHW 3600, painted	B	1014,-	329,-	1343,-
EHW 3600, hot-dip galvanized	B	1092,-	329,-	1421,-
Drum Pallet Type FP	Category	Price	Freight charges	Price including freight charges
FP 2, hot-dip galvanized	B	88,-	123,-	211,-
Drum Shelve Type FR	Category	Price	Freight charges	Price including freight charges
FR-1, hot-dip galvanized	B	283,-	123,-	406,-
Can Stand Type GS, hot-dip galvanized	B	62,-	18,-	80,-
Clip-on Rotating Support, galvanized	B	82,-	10,-	92,-
FR-2, hot-dip galvanized	B	362,-	123,-	485,-
Can Stand Type GS, hot-dip galvanized	B	62,-	18,-	80,-
Clip-on Rotating Support, galvanized	B	82,-	10,-	92,-
FR-3, hot-dip galvanized	B	404,-	123,-	527,-
Can Stand Type GS, hot-dip galvanized	B	62,-	18,-	80,-
Rotating Support RA 60, hot-dip galvanized	B	93,-	9,-	102,-
Sump Tray Type FRA	Category	Price	Freight charges	Price including freight charges
FRA-1, painted	B	299,-	123,-	422,-
Grid, hot-dip galvanized	B	64,-	16,-	80,-
FRA-1, hot-dip galvanized	B	354,-	123,-	477,-
Grid, hot-dip galvanized	B	64,-	16,-	80,-
FRA-2, painted	B	311,-	123,-	434,-
Grid, hot-dip galvanized	B	127,-	24,-	151,-
FRA-2, hot-dip galvanized	B	365,-	123,-	488,-
Grid, hot-dip galvanized	B	127,-	24,-	151,-
FRA-3, painted	B	311,-	123,-	434,-
Grid, hot-dip galvanized	B	127,-	24,-	151,-
FRA-3, hot-dip galvanized	B	365,-	123,-	488,-
Grid, hot-dip galvanized	B	127,-	24,-	151,-
Drum Shelf Type FRE/M	Category	Price	Freight charges	Price including freight charges
FRE-1/M, hot-dip galvanized	B	217,-	21,-	238,-
Clip-on Rotating Support, galvanized	B	82,-	10,-	92,-
Can Stand Type GS, hot-dip galvanized	B	62,-	18,-	80,-
FRE-2/M, hot-dip galvanized	B	252,-	22,-	274,-
Clip-on Rotating Support, galvanized	B	82,-	10,-	92,-
Can Stand Type GS, hot-dip galvanized	B	62,-	18,-	80,-
FRE-3/M, hot-dip galvanized	B	269,-	27,-	296,-
Rotating Support RA 60, hot-dip galvanized	B	93,-	9,-	102,-
Can Stand Type GS, hot-dip galvanized	B	62,-	18,-	80,-
Can Shelf Type FRE-G/M	Category	Price	Freight charges	Price including freight charges
FRE-G1/M, hot-dip galvanized	B	228,-	27,-	255,-

Prices in EUR, valid EXW DE-46354 Südlohn, DE-38820 Halberstadt, unpacked
Freight charges valid CPT Spain, islands and oversea territories excluded

Price List 0424 en-ES

Environment / Storage



Can Shelf Type FRE-G/M	Category	Price	Freight charges	Price including freight charges
FRE-G2/M, hot-dip galvanized	B	264,-	32,-	296,-

Can Shelf for Small Cans Type FRG	Category	Price	Freight charges	Price including freight charges
FRG, hot-dip galvanized	B	368,-	123,-	491,-

Drum Stacking Pallet Type FSP-D	Category	Price	Freight charges	Price including freight charges
FSP-1 D, lackiert	B	816,-	191,-	1007,-
FSP-1 D, hot-dip galvanized	B	1068,-	191,-	1259,-
FSP-2 D, lackiert	B	870,-	191,-	1061,-
FSP-2 D, hot-dip galvanized	B	1180,-	191,-	1371,-
FSP-4 D, lackiert	B	1130,-	191,-	1321,-
FSP-4 D, hot-dip galvanized	B	1560,-	191,-	1751,-

Drum Stacking Pallet Type FSP-G	Category	Price	Freight charges	Price including freight charges
FSP-1 G, lackiert	B	793,-	191,-	984,-
FSP-1 G, hot-dip galvanized	B	1052,-	191,-	1243,-
FSP-2 G, painted	B	849,-	191,-	1040,-
FSP-2 G, hot-dip galvanized	B	1156,-	191,-	1347,-
FSP-4 G, painted	B	1109,-	277,-	1386,-
FSP-4 G, hot-dip galvanized	B	1533,-	277,-	1810,-

Drum Stacking Pallet Type FSP	Category	Price	Freight charges	Price including freight charges
FSP-1, painted	B	467,-	123,-	590,-
FSP-1, hot-dip galvanized	B	702,-	191,-	893,-
FSP-2, painted	B	632,-	191,-	823,-
FSP-2, hot-dip galvanized	B	882,-	191,-	1073,-
FSP-4, painted	B	720,-	191,-	911,-
FSP-4, hot-dip galvanized	B	1112,-	191,-	1303,-

Hazardous Materials Depot Type GD-A	Category	Price	Freight charges	Price including freight charges
GD-A, painted	C	736,-	191,-	927,-
Drum Support FA 60-1, hot-dip galvanized	B	105,-	15,-	120,-
Drum Support FA 60-2, hot-dip galvanized	B	114,-	18,-	132,-
Drum Support FA 60-3, hot-dip galvanized	B	133,-	21,-	154,-
Can Shelf Type GR-A, galvanized	B	133,-	60,-	193,-
Can Shelf Type GR-B, galvanized	B	133,-	60,-	193,-
Can Shelf Type GR-C, galvanized	B	133,-	60,-	193,-
GD-A, hot-dip galvanized	C	927,-	191,-	1118,-
Drum Support FA 60-1, hot-dip galvanized	B	105,-	15,-	120,-
Drum Support FA 60-2, hot-dip galvanized	B	114,-	18,-	132,-
Drum Support FA 60-3, hot-dip galvanized	B	133,-	21,-	154,-
Can Shelf Type GR-A, galvanized	B	133,-	60,-	193,-
Can Shelf Type GR-B, galvanized	B	133,-	60,-	193,-
Can Shelf Type GR-C, galvanized	B	133,-	60,-	193,-

Prices in EUR, valid EXW DE-46354 Südlohn, DE-38820 Halberstadt, unpacked
Freight charges valid CPT Spain, islands and oversea territories excluded

Price List 0424 en-ES

Environment / Storage



Hazardous Materials Depot Type GD-B	Category	Price	Freight charges	Price including freight charges
GD-B, painted	C	1316,-	191,-	1507,-
Drum Support FA 60-1, hot-dip galvanized	B	105,-	15,-	120,-
Drum Support FA 60-2, hot-dip galvanized	B	114,-	18,-	132,-
Drum Support FA 60-3, hot-dip galvanized	B	133,-	21,-	154,-
Can Shelf Type GR-A, galvanized	B	133,-	60,-	193,-
Can Shelf Type GR-B, galvanized	B	133,-	60,-	193,-
Can Shelf Type GR-C, galvanized	B	133,-	60,-	193,-
GD-B, hot-dip galvanized	C	1570,-	191,-	1761,-
Drum Support FA 60-1, hot-dip galvanized	B	105,-	15,-	120,-
Drum Support FA 60-2, hot-dip galvanized	B	114,-	18,-	132,-
Drum Support FA 60-3, hot-dip galvanized	B	133,-	21,-	154,-
Can Shelf Type GR-A, galvanized	B	133,-	60,-	193,-
Can Shelf Type GR-B, galvanized	B	133,-	60,-	193,-
Can Shelf Type GR-C, galvanized	B	133,-	60,-	193,-
Hazardous Materials Depot Type GD-C	Category	Price	Freight charges	Price including freight charges
GD-C, painted	C	1123,-	191,-	1314,-
Drum Support FA 60-1, hot-dip galvanized	B	105,-	15,-	120,-
Drum Support FA 60-2, hot-dip galvanized	B	114,-	18,-	132,-
Drum Support FA 60-3, hot-dip galvanized	B	133,-	21,-	154,-
Can Shelf Type GR-A, galvanized	B	133,-	60,-	193,-
Can Shelf Type GR-B, galvanized	B	133,-	60,-	193,-
Can Shelf Type GR-C, galvanized	B	133,-	60,-	193,-
GD-C, hot-dip galvanized	C	1269,-	191,-	1460,-
Drum Support FA 60-1, hot-dip galvanized	B	105,-	15,-	120,-
Drum Support FA 60-2, hot-dip galvanized	B	114,-	18,-	132,-
Drum Support FA 60-3, hot-dip galvanized	B	133,-	21,-	154,-
Can Shelf Type GR-A, galvanized	B	133,-	60,-	193,-
Can Shelf Type GR-B, galvanized	B	133,-	60,-	193,-
Can Shelf Type GR-C, galvanized	B	133,-	60,-	193,-
Hazardous Materials Depot Type GD-E	Category	Price	Freight charges	Price including freight charges
GD-E 2, galvanized	C	1509,-	277,-	1786,-
Drum Support FA 60-1, hot-dip galvanized	B	105,-	15,-	120,-
Drum Support FA 60-2, hot-dip galvanized	B	114,-	18,-	132,-
Drum Support FA 60-3, hot-dip galvanized	B	133,-	21,-	154,-
Can Shelf Type GR-A, galvanized	B	133,-	60,-	193,-
Can Shelf Type GR-B, galvanized	B	133,-	60,-	193,-
Can Shelf Type GR-C, galvanized	B	133,-	60,-	193,-
GD-E 4, galvanized	C	1842,-	340,-	2182,-
Drum Support FA 60-1, hot-dip galvanized	B	105,-	15,-	120,-
Drum Support FA 60-2, hot-dip galvanized	B	114,-	18,-	132,-
Drum Support FA 60-3, hot-dip galvanized	B	133,-	21,-	154,-
Can Shelf Type GR-A, galvanized	B	133,-	60,-	193,-
Can Shelf Type GR-B, galvanized	B	133,-	60,-	193,-

Prices in EUR, valid EXW DE-46354 Südlohn, DE-38820 Halberstadt, unpacked
Freight charges valid CPT Spain, islands and oversea territories excluded

Price List 0424 en-ES

Environment / Storage



Hazardous Materials Depot Type GD-E	Category	Price	Freight charges	Price including freight charges
Can Shelf Type GR-C, galvanized	B	133,-	60,-	193,-

Hazardous Materials Depot Type GD-E/IBC	Category	Price	Freight charges	Price including freight charges
GD-E/IBC, galvanized	C	2286,-	947,-	3233,-
GD-E/IBC-2, galvanized	C	3431,-	405,-	3836,-

Hazardous Materials Depot Type GD-N	Category	Price	Freight charges	Price including freight charges
GD-N 2, galvanized	C	1315,-	277,-	1592,-
Intermediate Storage Level ZB, galvanized, for Hazardous Materials Depot	C	102,-	18,-	120,-
Drum Support FA 60-1, hot-dip galvanized	B	105,-	15,-	120,-
Can Shelf Type GR-A, galvanized	B	133,-	60,-	193,-
Can Shelf Type GR-B, galvanized	B	133,-	60,-	193,-
Can Shelf Type GR-C, galvanized	B	133,-	60,-	193,-
GD-N 4, galvanized	C	1639,-	277,-	1916,-
Intermediate Storage Level ZB, galvanized, for Hazardous Materials Depot	C	102,-	18,-	120,-
Drum Support FA 60-1, hot-dip galvanized	B	105,-	15,-	120,-
Drum Support FA 60-2, hot-dip galvanized	B	114,-	18,-	132,-
Drum Support FA 200-1, hot-dip galvanized	B	114,-	15,-	129,-
Drum Support FA 200-2, hot-dip galvanized	B	133,-	22,-	155,-
Can Shelf Type GR-A, galvanized	B	133,-	60,-	193,-
Can Shelf Type GR-B, galvanized	B	133,-	60,-	193,-
Can Shelf Type GR-C, galvanized	B	133,-	60,-	193,-

Hazardous Materials Depot Type GD-N/R	Category	Price	Freight charges	Price including freight charges
GD-N/R 2, galvanized	C	1509,-	277,-	1786,-
Intermediate Storage Level ZB, galvanized, for Hazardous Materials Depot	C	102,-	18,-	120,-
Drum Support FA 60-1, hot-dip galvanized	B	105,-	15,-	120,-
Can Shelf Type GR-A, galvanized	B	133,-	60,-	193,-
Can Shelf Type GR-B, galvanized	B	133,-	60,-	193,-
Can Shelf Type GR-C, galvanized	B	133,-	60,-	193,-
GD-N/R 4, galvanized	C	1836,-	277,-	2113,-
Intermediate Storage Level ZB, galvanized, for Hazardous Materials Depot	C	102,-	18,-	120,-
Drum Support FA 60-1, hot-dip galvanized	B	105,-	15,-	120,-
Drum Support FA 60-2, hot-dip galvanized	B	114,-	18,-	132,-
Drum Support FA 200-1, hot-dip galvanized	B	114,-	15,-	129,-
Drum Support FA 200-2, hot-dip galvanized	B	133,-	22,-	155,-
Can Shelf Type GR-A, galvanized	B	133,-	60,-	193,-
Can Shelf Type GR-B, galvanized	B	133,-	60,-	193,-
Can Shelf Type GR-C, galvanized	B	133,-	60,-	193,-

Gas Cylinder Containers Type GFC	Category	Price	Freight charges	Price including freight charges
GFC-1 (grid floor), painted	B	4596,-	on request	on request
Access Ramp for Gas Cylinder Container GFC, hot-dip galvanized	B	157,-	22,-	179,-
GFC-2 (stud plate floor), painted	B	4665,-	on request	on request
Access Ramp for Gas Cylinder Container GFC, hot-dip galvanized	B	157,-	22,-	179,-

Prices in EUR, valid EXW DE-46354 Südlohn, DE-38820 Halberstadt, unpacked
Freight charges valid CPT Spain, islands and oversea territories excluded

Price List 0424 en-ES

Environment / Storage



Gas Cylinder Containers Type GFC-B	Category	Price	Freight charges	Price including freight charges
GFC-B M0, painted	B	3290,-	947,-	4237,-
Fixture with Safety Chain to Secure Gas Cylinders, hot-dip galvanized	B	69,-	12,-	81,-
GFC-B M1, painted	B	3815,-	1125,-	4940,-
Fixture with Safety Chain to Secure Gas Cylinders, hot-dip galvanized	B	69,-	12,-	81,-
GFC-B M2, painted	B	3974,-	1125,-	5099,-
Fixture with Safety Chain to Secure Gas Cylinders, hot-dip galvanized	B	69,-	12,-	81,-
Rack for Gas Cylinders Type GFG, galvanized	B	197,-	123,-	320,-
GFC-B M3, painted	B	4600,-	1125,-	5725,-
Fixture with Safety Chain to Secure Gas Cylinders, hot-dip galvanized	B	69,-	12,-	81,-
Rack for Gas Cylinders Type GFG, galvanized	B	197,-	123,-	320,-
GFC-B M4, painted	B	5173,-	1281,-	6454,-
Fixture with Safety Chain to Secure Gas Cylinders, hot-dip galvanized	B	69,-	12,-	81,-
Rack for Gas Cylinders Type GFG, galvanized	B	197,-	123,-	320,-
GFC-B M5, painted	B	7187,-	1281,-	8468,-
Fixture with Safety Chain to Secure Gas Cylinders, hot-dip galvanized	B	69,-	12,-	81,-
Rack for Gas Cylinders Type GFG, galvanized	B	197,-	123,-	320,-
Gas Cylinder Containers Type GFC-B/W	Category	Price	Freight charges	Price including freight charges
GFC-B/W M1, painted	B	4073,-	1125,-	5198,-
Fixture with Safety Chain to Secure Gas Cylinders, hot-dip galvanized	B	69,-	12,-	81,-
GFC-B/W M2, painted	B	4271,-	1125,-	5396,-
Fixture with Safety Chain to Secure Gas Cylinders, hot-dip galvanized	B	69,-	12,-	81,-
GFC-B/W M3, painted	B	4904,-	1125,-	6029,-
Fixture with Safety Chain to Secure Gas Cylinders, hot-dip galvanized	B	69,-	12,-	81,-
GFC-B/W M4, painted	B	5483,-	1281,-	6764,-
Fixture with Safety Chain to Secure Gas Cylinders, hot-dip galvanized	B	69,-	12,-	81,-
Rack for Gas Cylinders Type GFG, galvanized	B	197,-	123,-	320,-
GFC-B/W M5, painted	B	7578,-	1281,-	8859,-
Fixture with Safety Chain to Secure Gas Cylinders, hot-dip galvanized	B	69,-	12,-	81,-
Rack for Gas Cylinders Type GFG, galvanized	B	197,-	123,-	320,-
Gas Cylinder Containers Type GFC-E/G	Category	Price	Freight charges	Price including freight charges
GFC-E/G M0, hot-dip galvanized	B	1487,-	277,-	1764,-
Fixture with Safety Chain to Secure Gas Cylinders, hot-dip galvanized	B	38,-	12,-	50,-
GFC-E/G M1, hot-dip galvanized	B	2116,-	1125,-	3241,-
Fixture with Safety Chain to Secure Gas Cylinders, hot-dip galvanized	B	38,-	12,-	50,-
Rack for Gas Cylinders Type GFG, galvanized	B	197,-	123,-	320,-
Access Ramp AR, galvanized	B	157,-	22,-	179,-
Central Dividing Wall, galvanized	B	84,-	22,-	106,-
GFC-E/G M2, hot-dip galvanized	B	2319,-	1125,-	3444,-
Fixture with Safety Chain to Secure Gas Cylinders, hot-dip galvanized	B	38,-	12,-	50,-
Rack for Gas Cylinders Type GFG, galvanized	B	197,-	123,-	320,-
Access Ramp AR, galvanized	B	157,-	22,-	179,-
Central Dividing Wall, galvanized	B	124,-	32,-	156,-
GFC-E/G M3, hot-dip galvanized	B	2580,-	1125,-	3705,-

Prices in EUR, valid EXW DE-46354 Südlohn, DE-38820 Halberstadt, unpacked
Freight charges valid CPT Spain, islands and oversea territories excluded

Price List 0424 en-ES

Environment / Storage



Gas Cylinder Containers Type GFC-E/G	Category	Price	Freight charges	Price including freight charges
Fixture with Safety Chain to Secure Gas Cylinders, hot-dip galvanized	B	38,-	12,-	50,-
Rack for Gas Cylinders Type GFG, galvanized	B	197,-	123,-	320,-
Access Ramp AR, galvanized	B	157,-	22,-	179,-
Central Dividing Wall, galvanized	B	124,-	32,-	156,-
GFC-E/G M4, hot-dip galvanized	B	2797,-	1281,-	4078,-
Fixture with Safety Chain to Secure Gas Cylinders, hot-dip galvanized	B	38,-	12,-	50,-
Rack for Gas Cylinders Type GFG, galvanized	B	197,-	123,-	320,-
Access Ramp AR, galvanized	B	157,-	22,-	179,-
Central Dividing Wall, galvanized	B	124,-	32,-	156,-
GFC-E/G M5, hot-dip galvanized	B	3465,-	1281,-	4746,-
Fixture with Safety Chain to Secure Gas Cylinders, hot-dip galvanized	B	38,-	12,-	50,-
Rack for Gas Cylinders Type GFG, galvanized	B	197,-	123,-	320,-
Access Ramp AR, galvanized	B	157,-	22,-	179,-
Central Dividing Wall, galvanized	B	184,-	40,-	224,-

Gas Cylinder Containers Type GFC-E/T	Category	Price	Freight charges	Price including freight charges
GFC-E/T M0, hot-dip galvanized	B	1507,-	277,-	1784,-
Fixture with Safety Chain to Secure Gas Cylinders, hot-dip galvanized	B	38,-	12,-	50,-
GFC-E/T M1, hot-dip galvanized	B	2153,-	1125,-	3278,-
Fixture with Safety Chain to Secure Gas Cylinders, hot-dip galvanized	B	38,-	12,-	50,-
Rack for Gas Cylinders Type GFG, galvanized	B	197,-	123,-	320,-
Access Ramp AR, galvanized	B	157,-	22,-	179,-
Central Dividing Wall, galvanized	B	84,-	22,-	106,-
GFC-E/T M2, hot-dip galvanized	B	2365,-	1125,-	3490,-
Fixture with Safety Chain to Secure Gas Cylinders, hot-dip galvanized	B	38,-	12,-	50,-
Rack for Gas Cylinders Type GFG, galvanized	B	197,-	123,-	320,-
Access Ramp AR, galvanized	B	157,-	22,-	179,-
Central Dividing Wall, galvanized	B	124,-	32,-	156,-
GFC-E/T M3, hot-dip galvanized	B	2644,-	1125,-	3769,-
Fixture with Safety Chain to Secure Gas Cylinders, hot-dip galvanized	B	38,-	12,-	50,-
Rack for Gas Cylinders Type GFG, galvanized	B	197,-	123,-	320,-
Access Ramp AR, galvanized	B	157,-	22,-	179,-
Central Dividing Wall, galvanized	B	124,-	32,-	156,-
GFC-E/T M4, hot-dip galvanized	B	2859,-	1281,-	4140,-
Fixture with Safety Chain to Secure Gas Cylinders, hot-dip galvanized	B	38,-	12,-	50,-
Rack for Gas Cylinders Type GFG, galvanized	B	197,-	123,-	320,-
Access Ramp AR, galvanized	B	157,-	22,-	179,-
Central Dividing Wall, galvanized	B	124,-	32,-	156,-
GFC-E/T M5, hot-dip galvanized	B	3553,-	1281,-	4834,-
Fixture with Safety Chain to Secure Gas Cylinders, hot-dip galvanized	B	38,-	12,-	50,-
Rack for Gas Cylinders Type GFG, galvanized	B	197,-	123,-	320,-
Access Ramp AR, galvanized	B	157,-	22,-	179,-
Central Dividing Wall, galvanized	B	184,-	40,-	224,-

Prices in EUR, valid EXW DE-46354 Südlohn, DE-38820 Halberstadt, unpacked
Freight charges valid CPT Spain, islands and oversea territories excluded

Price List 0424 en-ES

Environment / Storage



Gas Cylinder Containers Type GFC-M/D	Category	Price	Freight charges	Price including freight charges
GFC-M0/D, hot-dip galvanized	B	993,-	191,-	1184,-
Grid Floor for Gas Cylinder Container GFC-M0, hot-dip galvanized	B	146,-	72,-	218,-
Fixture with Safety Chain to Secure Gas Cylinders, hot-dip galvanized	B	38,-	12,-	50,-
GFC-M1/D, hot-dip galvanized	B	1204,-	277,-	1481,-
Grid Floor for Gas Cylinder Container GFC-M1, hot-dip galvanized	B	264,-	123,-	387,-
Fixture with Safety Chain to Secure Gas Cylinders, hot-dip galvanized	B	38,-	12,-	50,-
Rack for Gas Cylinders Type GFG, galvanized	B	197,-	123,-	320,-
GFC-M2/D, hot-dip galvanized	B	1282,-	277,-	1559,-
Grid Floor for Gas Cylinder Container GFC-M2, hot-dip galvanized	B	362,-	123,-	485,-
Fixture with Safety Chain to Secure Gas Cylinders, hot-dip galvanized	B	38,-	12,-	50,-
Rack for Gas Cylinders Type GFG, galvanized	B	197,-	123,-	320,-
GFC-M3/D, hot-dip galvanized	B	1447,-	277,-	1724,-
Grid Floor for Gas Cylinder Container GFC-M3, hot-dip galvanized	B	492,-	191,-	683,-
Fixture with Safety Chain to Secure Gas Cylinders, hot-dip galvanized	B	38,-	12,-	50,-
Rack for Gas Cylinders Type GFG, galvanized	B	197,-	123,-	320,-
GFC-M4/D, hot-dip galvanized	B	1546,-	277,-	1823,-
Grid Floor for Gas Cylinder Container GFC-M4, hot-dip galvanized	B	605,-	191,-	796,-
Fixture with Safety Chain to Secure Gas Cylinders, hot-dip galvanized	B	38,-	12,-	50,-
Rack for Gas Cylinders Type GFG, galvanized	B	197,-	123,-	320,-
GFC-M5/D, hot-dip galvanized	B	1838,-	340,-	2178,-
Grid Floor for Gas Cylinder Container GFC-M5, hot-dip galvanized	B	739,-	191,-	930,-
Fixture with Safety Chain to Secure Gas Cylinders, hot-dip galvanized	B	38,-	12,-	50,-
Rack for Gas Cylinders Type GFG, galvanized	B	197,-	123,-	320,-
Gas Cylinder Containers Type GFC-M	Category	Price	Freight charges	Price including freight charges
GFC-M1, hot-dip galvanized	B	1063,-	191,-	1254,-
Grid Floor for Gas Cylinder Container GFC-M1, hot-dip galvanized	B	264,-	123,-	387,-
Fixture with Safety Chain to Secure Gas Cylinders, hot-dip galvanized	B	38,-	12,-	50,-
Rack for Gas Cylinders Type GFG, galvanized	B	197,-	123,-	320,-
GFC-M2, hot-dip galvanized	B	1129,-	277,-	1406,-
Grid Floor for Gas Cylinder Container GFC-M2, hot-dip galvanized	B	362,-	123,-	485,-
Fixture with Safety Chain to Secure Gas Cylinders, hot-dip galvanized	B	38,-	12,-	50,-
Rack for Gas Cylinders Type GFG, galvanized	B	197,-	123,-	320,-
GFC-M3, hot-dip galvanized	B	1267,-	277,-	1544,-
Grid Floor for Gas Cylinder Container GFC-M3, hot-dip galvanized	B	492,-	191,-	683,-
Fixture with Safety Chain to Secure Gas Cylinders, hot-dip galvanized	B	38,-	12,-	50,-
Rack for Gas Cylinders Type GFG, galvanized	B	197,-	123,-	320,-
GFC-M4, hot-dip galvanized	B	1333,-	277,-	1610,-
Grid Floor for Gas Cylinder Container GFC-M4, hot-dip galvanized	B	605,-	191,-	796,-
Fixture with Safety Chain to Secure Gas Cylinders, hot-dip galvanized	B	38,-	12,-	50,-
Rack for Gas Cylinders Type GFG, galvanized	B	197,-	123,-	320,-
GFC-M5, hot-dip galvanized	B	1547,-	277,-	1824,-
Grid Floor for Gas Cylinder Container GFC-M5, hot-dip galvanized	B	739,-	191,-	930,-
Fixture with Safety Chain to Secure Gas Cylinders, hot-dip galvanized	B	38,-	12,-	50,-
Rack for Gas Cylinders Type GFG, galvanized	B	197,-	123,-	320,-

Prices in EUR, valid EXW DE-46354 Südlohn, DE-38820 Halberstadt, unpacked
Freight charges valid CPT Spain, islands and oversea territories excluded

Price List 0424 en-ES

Environment / Storage



Gas Cylinder Containers Type GFC-M/D-DF	Category	Price	Freight charges	Price including freight charges
GFC-M1/D-DF, hot-dip galvanized	B	1375,-	277,-	1652,-
Grid Floor for Gas Cylinder Container GFC-M1, hot-dip galvanized	B	264,-	123,-	387,-
Fixture with Safety Chain to Secure Gas Cylinders, hot-dip galvanized	B	38,-	12,-	50,-
Rack for Gas Cylinders Type GFG, galvanized	B	197,-	123,-	320,-
GFC-M2/D-DF, hot-dip galvanized	B	1452,-	277,-	1729,-
Grid Floor for Gas Cylinder Container GFC-M2, hot-dip galvanized	B	362,-	123,-	485,-
Fixture with Safety Chain to Secure Gas Cylinders, hot-dip galvanized	B	38,-	12,-	50,-
Rack for Gas Cylinders Type GFG, galvanized	B	197,-	123,-	320,-
GFC-M3/D-DF, hot-dip galvanized	B	1618,-	277,-	1895,-
Grid Floor for Gas Cylinder Container GFC-M3, hot-dip galvanized	B	492,-	191,-	683,-
Fixture with Safety Chain to Secure Gas Cylinders, hot-dip galvanized	B	38,-	12,-	50,-
Rack for Gas Cylinders Type GFG, galvanized	B	197,-	123,-	320,-
GFC-M4/D-DF, hot-dip galvanized	B	1748,-	340,-	2088,-
Grid Floor for Gas Cylinder Container GFC-M4, hot-dip galvanized	B	605,-	191,-	796,-
Fixture with Safety Chain to Secure Gas Cylinders, hot-dip galvanized	B	38,-	12,-	50,-
Rack for Gas Cylinders Type GFG, galvanized	B	197,-	123,-	320,-
GFC-M5/D-DF, hot-dip galvanized	B	2040,-	340,-	2380,-
Grid Floor for Gas Cylinder Container GFC-M5, hot-dip galvanized	B	739,-	191,-	930,-
Fixture with Safety Chain to Secure Gas Cylinders, hot-dip galvanized	B	38,-	12,-	50,-
Rack for Gas Cylinders Type GFG, galvanized	B	197,-	123,-	320,-
Gas Cylinder Containers Type GFC-M-DF	Category	Price	Freight charges	Price including freight charges
GFC-M1-DF, hot-dip galvanized	B	1232,-	191,-	1423,-
Grid Floor for Gas Cylinder Container GFC-M1, hot-dip galvanized	B	264,-	123,-	387,-
Fixture with Safety Chain to Secure Gas Cylinders, hot-dip galvanized	B	38,-	12,-	50,-
Rack for Gas Cylinders Type GFG, galvanized	B	197,-	123,-	320,-
GFC-M2-DF, hot-dip galvanized	B	1300,-	277,-	1577,-
Grid Floor for Gas Cylinder Container GFC-M2, hot-dip galvanized	B	362,-	123,-	485,-
Fixture with Safety Chain to Secure Gas Cylinders, hot-dip galvanized	B	38,-	12,-	50,-
Rack for Gas Cylinders Type GFG, galvanized	B	197,-	123,-	320,-
GFC-M3-DF, hot-dip galvanized	B	1439,-	277,-	1716,-
Grid Floor for Gas Cylinder Container GFC-M3, hot-dip galvanized	B	492,-	191,-	683,-
Fixture with Safety Chain to Secure Gas Cylinders, hot-dip galvanized	B	38,-	12,-	50,-
Rack for Gas Cylinders Type GFG, galvanized	B	197,-	123,-	320,-
GFC-M4-DF, hot-dip galvanized	B	1537,-	277,-	1814,-
Grid Floor for Gas Cylinder Container GFC-M4, hot-dip galvanized	B	605,-	191,-	796,-
Fixture with Safety Chain to Secure Gas Cylinders, hot-dip galvanized	B	38,-	12,-	50,-
Rack for Gas Cylinders Type GFG, galvanized	B	197,-	123,-	320,-
GFC-M5-DF, hot-dip galvanized	B	1750,-	340,-	2090,-
Grid Floor for Gas Cylinder Container GFC-M5, hot-dip galvanized	B	739,-	191,-	930,-
Fixture with Safety Chain to Secure Gas Cylinders, hot-dip galvanized	B	38,-	12,-	50,-
Rack for Gas Cylinders Type GFG, galvanized	B	197,-	123,-	320,-
Gas Cylinder Depot Type GFD-G	Category	Price	Freight charges	Price including freight charges
GFD-G 1, galvanized	B	414,-	191,-	605,-

Prices in EUR, valid EXW DE-46354 Südlohn, DE-38820 Halberstadt, unpacked
Freight charges valid CPT Spain, islands and oversea territories excluded

Price List 0424 en-ES

Environment / Storage



Gas Cylinder Depot Type GFD-G	Category	Price	Freight charges	Price including freight charges
GFD-G 2, galvanized	B	763,-	191,-	954,-
Gas Cylinder Depot Type GFD-L	Category	Price	Freight charges	Price including freight charges
GFD-L 1, galvanized	B	446,-	123,-	569,-
GFD-L 2, galvanized	B	850,-	191,-	1041,-
Gas Cylinder Depot Type GFD-R	Category	Price	Freight charges	Price including freight charges
GFD-R 2, painted	B	747,-	123,-	870,-
GFD-R 2, hot-dip galvanized	B	771,-	123,-	894,-
GFD-R 4, painted	B	849,-	123,-	972,-
GFD-R 4, hot-dip galvanized	B	878,-	123,-	1001,-
Hazardous Materials Cabinet Type GS	Category	Price	Freight charges	Price including freight charges
GS-1, painted	B	762,-	191,-	953,-
Intermediate Storage Level, galvanized	B	86,-	14,-	100,-
GS-1, hot-dip galvanized	B	820,-	191,-	1011,-
Intermediate Storage Level, galvanized	B	86,-	14,-	100,-
GS-2, painted	B	1013,-	277,-	1290,-
Intermediate Storage Level, galvanized	B	86,-	14,-	100,-
GS-2, hot-dip galvanized	B	1100,-	277,-	1377,-
Intermediate Storage Level, galvanized	B	86,-	14,-	100,-
GS-3, painted	B	2070,-	340,-	2410,-
GS-3, hot-dip galvanized	B	2217,-	340,-	2557,-
GS-4, painted	B	2081,-	947,-	3028,-
GS-4, hot-dip galvanized	B	2260,-	947,-	3207,-
Gas Cylinder Wall Bracket Type GWH	Category	Price	Freight charges	Price including freight charges
GWH 140-I, hot-dip galvanized	F	25,-	60,-	85,-
GWH 140-II, hot-dip galvanized	F	38,-	60,-	98,-
GWH 140-III, hot-dip galvanized	F	57,-	60,-	117,-
GWH 230-I, hot-dip galvanized	F	27,-	60,-	87,-
GWH 230-II, hot-dip galvanized	F	41,-	60,-	101,-
GWH 230-III, hot-dip galvanized	F	62,-	60,-	122,-
GWH 320-I, hot-dip galvanized	F	28,-	60,-	88,-
GWH 320-II, hot-dip galvanized	F	46,-	60,-	106,-
GWH 320-III, hot-dip galvanized	F	69,-	60,-	129,-
Tilting Canister Stand Type KAH	Category	Price	Freight charges	Price including freight charges
KAH-5, galvanized	A	92,-	60,-	152,-
KAH-25, galvanized	A	105,-	60,-	165,-
KAH-60, galvanized	A	135,-	60,-	195,-
Spill Tray for Canisters/Small Cans Type KGW	Category	Price	Freight charges	Price including freight charges
KGW 1, galvanized	B	88,-	60,-	148,-
KGW 1 V4A, stainless steel 1.4571	B	270,-	60,-	330,-

Prices in EUR, valid EXW DE-46354 Südlohn, DE-38820 Halberstadt, unpacked
Freight charges valid CPT Spain, islands and oversea territories excluded

Price List 0424 en-ES

Environment / Storage



Spill Tray for Canisters/Small Cans Type KGW	Category	Price	Freight charges	Price including freight charges
KGW 2, galvanized	B	92,-	60,-	152,-
KGW 2 V4A, stainless steel 1.4571	B	311,-	60,-	371,-
KGW 3, galvanized	B	96,-	60,-	156,-
KGW 3 V4A, stainless steel 1.4571	B	386,-	60,-	446,-
KGW 4, galvanized	B	113,-	123,-	236,-
KGW 4 V4A, stainless steel 1.4571	B	456,-	123,-	579,-
KGW 5, galvanized	B	155,-	123,-	278,-
KGW 5 V4A, stainless steel 1.4571	B	593,-	123,-	716,-

Spill Tray for Canisters/Small Cans Type KGW/M	Category	Price	Freight charges	Price including freight charges
KGW 1/M, galvanized	B	124,-	60,-	184,-
KGW 1/M V4A, stainless steel 1.4571	B	406,-	60,-	466,-
KGW 2/M, galvanized	B	132,-	60,-	192,-
KGW 2/M V4A, stainless steel 1.4571	B	468,-	60,-	528,-
KGW 3/M, galvanized	B	151,-	60,-	211,-
KGW 3/M V4A, stainless steel 1.4571	B	589,-	60,-	649,-
KGW 4/M, galvanized	B	175,-	123,-	298,-
KGW 4/M V4A, stainless steel 1.4571	B	705,-	123,-	828,-
KGW 5/M, galvanized	B	227,-	123,-	350,-
KGW 5/M V4A, stainless steel 1.4571	B	929,-	123,-	1052,-

Spill Tray for Canisters/Small Cans on Pallets Type KGW-P	Category	Price	Freight charges	Price including freight charges
KGW-P 1, galvanized	B	94,-	60,-	154,-
KGW-P 1 V4A, stainless steel 1.4571	B	266,-	60,-	326,-
KGW-P 2, galvanized	B	142,-	60,-	202,-
KGW-P 2 V4A, stainless steel 1.4571	B	382,-	60,-	442,-
KGW-P 3, galvanized	B	178,-	123,-	301,-
KGW-P 3 V4A, stainless steel 1.4571	B	586,-	60,-	646,-
KGW-P 4, galvanized	B	169,-	60,-	229,-
KGW-P 4 V4A, stainless steel 1.4571	B	450,-	60,-	510,-

Spill Tray for Canisters/Small Cans on Pallets Type KGW-P/M	Category	Price	Freight charges	Price including freight charges
KGW-P 1/M, galvanized	B	137,-	60,-	197,-
KGW-P 1/M V4A, stainless steel 1.4571	B	385,-	60,-	445,-
KGW-P 2/M, galvanized	B	210,-	60,-	270,-
KGW-P 2/M V4A, stainless steel 1.4571	B	559,-	60,-	619,-
KGW-P 3/M, galvanized	B	256,-	123,-	379,-
KGW-P 3/M V4A, stainless steel 1.4571	B	864,-	123,-	987,-
KGW-P 4/M, galvanized	B	241,-	60,-	301,-
KGW-P 4/M V4A, stainless steel 1.4571	B	694,-	60,-	754,-

Diesel Filling Point Type KPS	Category	Price	Freight charges	Price including freight charges
KPS 1, painted	B	2865,-	on request	on request
KPS 2, painted	B	3723,-	on request	on request
KPS 3, painted	B	5248,-	on request	on request

Prices in EUR, valid EXW DE-46354 Südlohn, DE-38820 Halberstadt, unpacked
Freight charges valid CPT Spain, islands and oversea territories excluded

Price List 0424 en-ES

Environment / Storage



Polyethylene Sump Tray for Pallets Type KWP-P	Category	Price	Freight charges	Price including freight charges
KWP-P 20, made of robust polyethylene	B	46,-	60,-	106,-
Deck with Punched Holes LR-PE 20, robust polyethylene, black	B	61,-	14,-	75,-
KWP-P 30, made of robust polyethylene	B	56,-	60,-	116,-
Deck with Punched Holes LR-PE 30, robust polyethylene, black	B	63,-	14,-	77,-
KWP-P 40, made of robust polyethylene	B	62,-	60,-	122,-
Deck with Punched Holes LR-PE 40, robust polyethylene, black	B	67,-	14,-	81,-
KWP-P 60, made of robust polyethylene	B	99,-	60,-	159,-
Deck with punched holes LR-PE 60, robust polyethylene, black	B	70,-	14,-	84,-
KWP-P 100, made of robust polyethylene	B	113,-	123,-	236,-
Deck with punched holes LR-PE 100, robust polyethylene, black	B	86,-	16,-	102,-

Mobile Sump Tray with Perforated Panel Type LPW	Category	Price	Freight charges	Price including freight charges
LPW 60-1, painted	B	605,-	123,-	728,-
Tool Deposit for Sump Trays with Perforated Panel Type LPW	B	30,-	16,-	46,-
Drip Tray for Sump Trays with Perforated Panel Type LPW	B	48,-	16,-	64,-
LPW 60-1, hot-dip galvanized	B	623,-	123,-	746,-
Tool Deposit for Sump Trays with Perforated Panel Type LPW	B	30,-	16,-	46,-
Drip Tray for Sump Trays with Perforated Panel Type LPW	B	48,-	16,-	64,-
LPW 60-2, painted	B	618,-	123,-	741,-
Tool Deposit for Sump Trays with Perforated Panel Type LPW	B	30,-	16,-	46,-
Drip Tray for Sump Trays with Perforated Panel Type LPW	B	48,-	16,-	64,-
LPW 60-2, hot-dip galvanized	B	638,-	123,-	761,-
Tool Deposit for Sump Trays with Perforated Panel Type LPW	B	30,-	16,-	46,-
Drip Tray for Sump Trays with Perforated Panel Type LPW	B	48,-	16,-	64,-
LPW 60-3, painted	B	624,-	123,-	747,-
Tool Deposit for Sump Trays with Perforated Panel Type LPW	B	30,-	16,-	46,-
Drip Tray for Sump Trays with Perforated Panel Type LPW	B	48,-	16,-	64,-
LPW 60-3, hot-dip galvanized	B	644,-	123,-	767,-
Tool Deposit for Sump Trays with Perforated Panel Type LPW	B	30,-	16,-	46,-
Drip Tray for Sump Trays with Perforated Panel Type LPW	B	48,-	16,-	64,-
LPW 200-1, painted	B	794,-	191,-	985,-
Tool Deposit for Sump Trays with Perforated Panel Type LPW	B	30,-	16,-	46,-
Drip Tray for Sump Trays with Perforated Panel Type LPW	B	48,-	16,-	64,-
LPW 200-1, hot-dip galvanized	B	827,-	191,-	1018,-
Tool Deposit for Sump Trays with Perforated Panel Type LPW	B	30,-	16,-	46,-
Drip Tray for Sump Trays with Perforated Panel Type LPW	B	48,-	16,-	64,-
LPW 200-2, painted	B	833,-	191,-	1024,-
Tool Deposit for Sump Trays with Perforated Panel Type LPW	B	30,-	16,-	46,-
Drip Tray for Sump Trays with Perforated Panel Type LPW	B	48,-	16,-	64,-
LPW 200-2, hot-dip galvanized	B	868,-	191,-	1059,-
Tool Deposit for Sump Trays with Perforated Panel Type LPW	B	30,-	16,-	46,-
Drip Tray for Sump Trays with Perforated Panel Type LPW	B	48,-	16,-	64,-
LPW 200-3, painted	B	848,-	191,-	1039,-
Tool Deposit for Sump Trays with Perforated Panel Type LPW	B	30,-	16,-	46,-
Drip Tray for Sump Trays with Perforated Panel Type LPW	B	48,-	16,-	64,-
LPW 200-3, hot-dip galvanized	B	883,-	191,-	1074,-

Prices in EUR, valid EXW DE-46354 Südlohn, DE-38820 Halberstadt, unpacked
Freight charges valid CPT Spain, islands and oversea territories excluded

Price List 0424 en-ES

Environment / Storage



Mobile Sump Tray with Perforated Panel Type LPW	Category	Price	Freight charges	Price including freight charges
Tool Deposit for Sump Trays with Perforated Panel Type LPW	B	30,-	16,-	46,-
Drip Tray for Sump Trays with Perforated Panel Type LPW	B	48,-	16,-	64,-
LPW 200-4, painted	B	1019,-	191,-	1210,-
LPW 200-4, hot-dip galvanized	B	1049,-	191,-	1240,-
Modular Sump Tray Type MAW	Category	Price	Freight charges	Price including freight charges
MAW, painted	B	324,-	123,-	447,-
MAW, hot-dip galvanized	B	353,-	123,-	476,-
Element No. 1: grid grate incl. supportS, painted	B	75,-	18,-	93,-
Element No. 2: galvanized handle + castors	B	133,-	19,-	152,-
Element No. 3: runners, painted	B	99,-	15,-	114,-
Element No. 3: runners, hot-dip galvanized	B	63,-	15,-	78,-
Element No. 6: surround, galvanized	B	580,-	123,-	703,-
Spline Sump Type PW	Category	Price	Freight charges	Price including freight charges
PW 200-2, painted	B	236,-	123,-	359,-
PW 200-2, hot-dip galvanized	B	227,-	123,-	350,-
PW 200-4, painted	B	261,-	123,-	384,-
PW 200-4, hot-dip galvanized	B	252,-	123,-	375,-
PW 400-4, painted	B	337,-	123,-	460,-
PW 400-4, hot-dip galvanized	B	320,-	123,-	443,-
Spline Sump Type PWE	Category	Price	Freight charges	Price including freight charges
PWE 200-2, painted	B	209,-	123,-	332,-
PWE 200-2, hot-dip galvanized	B	200,-	123,-	323,-
PWE 200-4, painted	B	228,-	123,-	351,-
PWE 200-4, hot-dip galvanized	B	220,-	123,-	343,-
PWE 400-4, painted	B	278,-	123,-	401,-
PWE 400-4, hot-dip galvanized	B	268,-	123,-	391,-
Hazardous Materials Cabinet with Roller Shutter Door Type RSG	Category	Price	Freight charges	Price including freight charges
RSG-1, painted	B	1841,-	191,-	2032,-
Set of 4 Feet, height adjustable	B	77,-	9,-	86,-
RSG-2, painted	B	1855,-	191,-	2046,-
Set of 4 Feet, height adjustable	B	77,-	9,-	86,-
RSG-3, painted	B	1904,-	191,-	2095,-
Set of 4 Feet, height adjustable	B	77,-	9,-	86,-
RSG-4, painted	B	2037,-	277,-	2314,-
Set of 4 Feet, height adjustable	B	77,-	9,-	86,-
Shelf Sump with Polyethylene Inlay Type RW PE	Category	Price	Freight charges	Price including freight charges
RW 1800 PE, painted	B	1008,-	191,-	1199,-
RW 1800 PE, hot-dip galvanized	B	1062,-	191,-	1253,-
RW 2200-1 PE, painted	B	1052,-	191,-	1243,-
RW 2200-1 PE, hot-dip galvanized	B	1108,-	191,-	1299,-

Prices in EUR, valid EXW DE-46354 Südlohn, DE-38820 Halberstadt, unpacked
Freight charges valid CPT Spain, islands and oversea territories excluded

Price List 0424 en-ES

Environment / Storage



Shelf Sump with Polyethylene Inlay Type RW PE	Category	Price	Freight charges	Price including freight charges
RW 2200-2 PE, painted	B	1232,-	191,-	1423,-
RW 2200-2 PE, hot-dip galvanized	B	1295,-	191,-	1486,-
RW 2700-1 PE, painted	B	1070,-	241,-	1311,-
RW 2700-1 PE, hot-dip galvanized	B	1151,-	241,-	1392,-
RW 2700-2 PE, painted	B	1223,-	241,-	1464,-
RW 2700-2 PE, hot-dip galvanized	B	1318,-	241,-	1559,-
RW 2700-3 PE, painted	B	1416,-	241,-	1657,-
RW 2700-3 PE, hot-dip galvanized	B	1538,-	241,-	1779,-
RW 3300-1 PE, painted	B	1369,-	241,-	1610,-
RW 3300-1 PE, hot-dip galvanized	B	1458,-	241,-	1699,-
RW 3300-2 PE, painted	B	1483,-	241,-	1724,-
RW 3300-2 PE, hot-dip galvanized	B	1581,-	241,-	1822,-
RW 3300-3 PE, painted	B	1679,-	327,-	2006,-
RW 3300-3 PE, hot-dip galvanized	B	1787,-	327,-	2114,-

Shelf Sump Type RW	Category	Price	Freight charges	Price including freight charges
RW 1800, painted	B	489,-	123,-	612,-
RW 1800, hot-dip galvanized	B	542,-	123,-	665,-
RW 2200-1, painted	B	501,-	123,-	624,-
RW 2200-1, hot-dip galvanized	B	557,-	123,-	680,-
RW 2200-2, painted	B	514,-	191,-	705,-
RW 2200-2, hot-dip galvanized	B	576,-	191,-	767,-
RW 2700-1, painted	B	510,-	241,-	751,-
RW 2700-1, hot-dip galvanized	B	590,-	241,-	831,-
RW 2700-2, painted	B	586,-	241,-	827,-
RW 2700-2, hot-dip galvanized	B	682,-	241,-	923,-
RW 2700-3, painted	B	634,-	241,-	875,-
RW 2700-3, hot-dip galvanized	B	754,-	241,-	995,-
RW 3300-1, painted	B	657,-	241,-	898,-
RW 3300-1, hot-dip galvanized	B	747,-	241,-	988,-
RW 3300-2, painted	B	722,-	241,-	963,-
RW 3300-2, hot-dip galvanized	B	821,-	241,-	1062,-
RW 3300-3, painted	B	805,-	241,-	1046,-
RW 3300-3, hot-dip galvanized	B	913,-	241,-	1154,-

Shelf Sump with Polyethylene Inlay Type RW-GR PE	Category	Price	Freight charges	Price including freight charges
RW-GR 1800 PE, painted	B	1138,-	191,-	1329,-
RW-GR 1800 PE, hot-dip galvanized	B	1189,-	191,-	1380,-
RW-GR 2200-1 PE, painted	B	1212,-	191,-	1403,-
RW-GR 2200-1 PE, hot-dip galvanized	B	1268,-	191,-	1459,-
RW-GR 2200-2 PE, painted	B	1394,-	277,-	1671,-
RW-GR 2200-2 PE, hot-dip galvanized	B	1454,-	277,-	1731,-
RW-GR 2700-1 PE, painted	B	1268,-	327,-	1595,-
RW-GR 2700-1 PE, hot-dip galvanized	B	1347,-	327,-	1674,-
RW-GR 2700-2 PE, painted	B	1419,-	327,-	1746,-

Prices in EUR, valid EXW DE-46354 Südlohn, DE-38820 Halberstadt, unpacked
Freight charges valid CPT Spain, islands and oversea territories excluded

Price List 0424 en-ES

Environment / Storage



Shelf Sump with Polyethylene Inlay Type RW-GR PE	Category	Price	Freight charges	Price including freight charges
RW-GR 2700-2 PE, hot-dip galvanized	B	1516,-	327,-	1843,-
RW-GR 2700-3 PE, painted	B	1614,-	327,-	1941,-
RW-GR 2700-3 PE, hot-dip galvanized	B	1715,-	327,-	2042,-
RW-GR 3300-1 PE, painted	B	1729,-	327,-	2056,-
RW-GR 3300-1 PE, hot-dip galvanized	B	1818,-	327,-	2145,-
RW-GR 3300-2 PE, painted	B	1841,-	327,-	2168,-
RW-GR 3300-2 PE, hot-dip galvanized	B	1949,-	327,-	2276,-
RW-GR 3300-3 PE, painted	B	2038,-	390,-	2428,-
RW-GR 3300-3 PE, hot-dip galvanized	B	2146,-	390,-	2536,-

Shelf Sump Type RW-GR	Category	Price	Freight charges	Price including freight charges
RW-GR 1800, painted	B	619,-	191,-	810,-
RW-GR 1800, hot-dip galvanized	B	672,-	191,-	863,-
RW-GR 2200-1, painted	B	662,-	191,-	853,-
RW-GR 2200-1, hot-dip galvanized	B	719,-	191,-	910,-
RW-GR 2200-2, painted	B	676,-	277,-	953,-
RW-GR 2200-2, hot-dip galvanized	B	735,-	277,-	1012,-
RW-GR 2700-1, painted	B	707,-	241,-	948,-
RW-GR 2700-1, hot-dip galvanized	B	787,-	327,-	1114,-
RW-GR 2700-2, painted	B	783,-	327,-	1110,-
RW-GR 2700-2, hot-dip galvanized	B	880,-	327,-	1207,-
RW-GR 2700-3, painted	B	831,-	327,-	1158,-
RW-GR 2700-3, hot-dip galvanized	B	933,-	327,-	1260,-
RW-GR 3300-1, painted	B	1016,-	327,-	1343,-
RW-GR 3300-1, hot-dip galvanized	B	1107,-	327,-	1434,-
RW-GR 3300-2, painted	B	1081,-	327,-	1408,-
RW-GR 3300-2, hot-dip galvanized	B	1188,-	327,-	1515,-
RW-GR 3300-3, painted	B	1165,-	327,-	1492,-
RW-GR 3300-3, hot-dip galvanized	B	1272,-	327,-	1599,-
RW-GR 3600-3, painted	B	1285,-	327,-	1612,-
RW-GR 3600-3, hot-dip galvanized	B	1432,-	327,-	1759,-

Safety Cabinet Type SIW	Category	Price	Freight charges	Price including freight charges
SIW 1005	B	575,-	123,-	698,-
SIW 2005	B	725,-	191,-	916,-

Diesel Filling Point Type TAW	Category	Price	Freight charges	Price including freight charges
TAW 1, painted	B	2365,-	on request	on request
TAW 2, painted	B	3086,-	on request	on request
TAW 3, painted	B	4447,-	on request	on request

Stainless Steel Sump Tray Type VAW	Category	Price	Freight charges	Price including freight charges
VAW-1, stainless steel 1.4571	B	956,-	123,-	1079,-
Grid, stainless steel 1.4571	B	477,-	14,-	491,-
Grid, hot-dip galvanized	B	68,-	14,-	82,-

Prices in EUR, valid EXW DE-46354 Südlohn, DE-38820 Halberstadt, unpacked
Freight charges valid CPT Spain, islands and oversea territories excluded

Price List 0424 en-ES

Environment / Storage



Stainless Steel Sump Tray Type VAW	Category	Price	Freight charges	Price including freight charges
VAW-2, stainless steel 1.4571	B	1042,-	123,-	1165,-
Grid, stainless steel 1.4571	B	706,-	16,-	722,-
Grid, hot-dip galvanized	B	91,-	38,-	129,-
VAW-4/A, stainless steel 1.4571	B	1194,-	123,-	1317,-
Grid, stainless steel 1.4571	B	1025,-	22,-	1047,-
Grid, hot-dip galvanized	B	119,-	22,-	141,-
VAW-4/B, stainless steel 1.4571	B	1459,-	123,-	1582,-
Grid, stainless steel 1.4571	B	1411,-	27,-	1438,-
Grid, hot-dip galvanized	B	163,-	27,-	190,-
VAW 1000, stainless steel 1.4571	B	2633,-	191,-	2824,-
Grid, stainless steel 1.4571	B	1143,-	28,-	1171,-
Grid, hot-dip galvanized	B	138,-	28,-	166,-
VAW 1000-2, stainless steel 1.4571	B	3216,-	241,-	3457,-
Grid, stainless steel 1.4571	B	2070,-	123,-	2193,-
Grid, hot-dip galvanized	B	224,-	123,-	347,-

Heating Chamber Type WK	Category	Price	Freight charges	Price including freight charges
WK 29-2 E65, painted	C	29650,-	on request	on request
WK 29-2 E85, painted	C	29815,-	on request	on request
WK 57-2 E65, painted	C	41623,-	on request	on request
WK 57-2 E85, painted	C	44000,-	on request	on request

Sump Tray Type WM	Category	Price	Freight charges	Price including freight charges
WM-2/200, hot-dip galvanized	B	280,-	123,-	403,-
Drum Support FA 60-1, hot-dip galvanized	B	105,-	15,-	120,-
Drum Support FA 60-2, hot-dip galvanized	B	114,-	18,-	132,-
Drum Support FA 60-3, hot-dip galvanized	B	133,-	21,-	154,-
Drum Support FA 200-1, hot-dip galvanized	B	114,-	15,-	129,-
Can Shelf Type GR-A, galvanized	B	133,-	60,-	193,-
Can Shelf Type GR-B, galvanized	B	133,-	60,-	193,-
Can Shelf Type GR-C, galvanized	B	133,-	60,-	193,-
WM-4/200, hot-dip galvanized	B	318,-	123,-	441,-
Drum Support FA 60-1, hot-dip galvanized	B	105,-	15,-	120,-
Drum Support FA 60-2, hot-dip galvanized	B	114,-	18,-	132,-
Drum Support FA 60-3, hot-dip galvanized	B	133,-	21,-	154,-
Drum Support FA 200-1, hot-dip galvanized	B	114,-	15,-	129,-
Drum Support FA 200-2, hot-dip galvanized	B	133,-	22,-	155,-
Can Shelf Type GR-A, galvanized	B	133,-	60,-	193,-
Can Shelf Type GR-B, galvanized	B	133,-	60,-	193,-
Can Shelf Type GR-C, galvanized	B	133,-	60,-	193,-
WM-4/400, hot-dip galvanized	B	382,-	191,-	573,-

Sump Tray Type WO	Category	Price	Freight charges	Price including freight charges
WO-2/200, hot-dip galvanized	B	213,-	123,-	336,-
WO-4/200, hot-dip galvanized	B	231,-	123,-	354,-

Prices in EUR, valid EXW DE-46354 Südlohn, DE-38820 Halberstadt, unpacked
 Freight charges valid CPT Spain, islands and oversea territories excluded

Price List 0424 en-ES

Environment / Storage



Sump Tray Type WO	Category	Price	Freight charges	Price including freight charges
WO-4/400, hot-dip galvanized	B	298,-	123,-	421,-
Polyethylene Sump Pallet Type WP	Category	Price	Freight charges	Price including freight charges
WP 1/11, made of robust polyethylene	B	1052,-	123,-	1175,-
WP 2/11, made of robust polyethylene	B	1330,-	123,-	1453,-
Dispensing Tray VB 2, robust polyethylene, blue	B	152,-	60,-	212,-
Polyethylene Sump Pallet Type WPA-PE	Category	Price	Freight charges	Price including freight charges
WPA-PE 2/2, made of robust polyethylene	B	313,-	123,-	436,-
WPA-PE 4/2, made of robust polyethylene	B	494,-	123,-	617,-
Polyethylene Sump Pallet Type WP-PE	Category	Price	Freight charges	Price including freight charges
WP-PE 1/11, made of robust polyethylene	B	1139,-	123,-	1262,-
Dispensing Tray VB 1, robust polyethylene, blue	B	163,-	60,-	223,-
WP-PE 2/11, made of robust polyethylene	B	1507,-	241,-	1748,-
Dispensing Tray VB 2, robust polyethylene, blue	B	152,-	60,-	212,-
WP-PE 2/2, made of robust polyethylene	B	290,-	123,-	413,-
WP-PE 4/2, made of robust polyethylene	B	453,-	123,-	576,-
WP-PE 4/4, made of robust polyethylene	B	470,-	123,-	593,-
WP-PE 8/11, made of robust polyethylene	B	1507,-	241,-	1748,-
Mobile Polyethylene Sump Tray Type WPT	Category	Price	Freight charges	Price including freight charges
WPT 230, made of robust polyethylene	B	519,-	123,-	642,-

Prices in EUR, valid EXW DE-46354 Südlohn, DE-38820 Halberstadt, unpacked
Freight charges valid CPT Spain, islands and oversea territories excluded

Price List 0424 en-ES

Hazardous Materials Containers

Fluorescent Tube Box Type AL-D	Category	Price	Freight charges	Price including freight charges
AL-D 150, aluminium	C	500,-	123,-	623,-
AL-D 200, aluminium	C	551,-	123,-	674,-
Collecting Container Type ASB	Category	Price	Freight charges	Price including freight charges
ASB 250, hot-dip galvanized	C	1969,-	277,-	2246,-
ASB 450-I, hot-dip galvanized	C	2082,-	277,-	2359,-
Special Waste Container Type ASK	Category	Price	Freight charges	Price including freight charges
ASK 540-4, hot-dip galvanized	C	on request	on request	on request
Duo-Container Type DC	Category	Price	Freight charges	Price including freight charges
DC 450, hot-dip galvanized	C	2267,-	on request	on request
Stainless steel strainer	D	113,-	9,-	122,-
Wing nut spanner for M12, hot-dip galvanized	F	33,-	15,-	48,-
DC 1000, hot-dip galvanized	C	2408,-	on request	on request
Stainless steel strainer	D	113,-	9,-	122,-
Wing nut spanner for M12, hot-dip galvanized	F	33,-	15,-	48,-
Lithium-Ion Storage Container Type LIL	Category	Price	Freight charges	Price including freight charges
LIL 30, hot-dip galvanized	B	1871,-	123,-	1994,-
LIL 90, hot-dip galvanized	B	2720,-	191,-	2911,-
Castor Set, polyamide, Load capacity 1050 kg / castor set	A	150,-	15,-	165,-
LIL 220, hot-dip galvanized	B	4699,-	277,-	4976,-
Castor Set, polyamide, Load capacity 1050 kg / castor set	A	150,-	15,-	165,-
LIL 280, hot-dip galvanized	B	5685,-	277,-	5962,-
Castor Set, polyamide, Load capacity 1050 kg / castor set	A	150,-	15,-	165,-
MobiCont Type M 800	Category	Price	Freight charges	Price including freight charges
M 800, painted	C	1342,-	277,-	1619,-
Level Indicator	C	212,-	9,-	221,-
Funnel for filling, PP	D	65,-	9,-	74,-
Filling/Extraction lid	C	65,-	9,-	74,-
Lid, galvanized, without a lock	C	188,-	15,-	203,-
Lid, galvanized, with square lock	C	233,-	18,-	251,-
Lid, galvanized, with cylinder lock	C	233,-	18,-	251,-
Castor Set, polyamide, Load capacity 1350 kg / castor set	A	185,-	15,-	200,-
Hand Pump K 10 C, connects to drum thread, suitable for fuels and heating fuel	C	91,-	14,-	105,-
Hose Kit (1.5 m) for Hand Pump Type K 10 C, suitable for diesel and fuel	C	65,-	14,-	79,-
Hose Kit (3 m) for Hand Pump Type K 10 C, suitable for diesel and fuel	C	92,-	15,-	107,-
Hose Kit (4 m) for Hand Pump Type K 10 C, suitable for diesel and fuel	C	105,-	15,-	120,-
Electric Pump TecPump 400 DC 12V	C	492,-	15,-	507,-

Prices in EUR, valid EXW DE-46354 Südlohn, DE-38820 Halberstadt, unpacked
Freight charges valid CPT Spain, islands and oversea territories excluded

Price List 0424 en-ES

Hazardous Materials Containers



MobiCont Type M 800	Category	Price	Freight charges	Price including freight charges
Electric Pump TecPump 400 DC 24V	C	492,-	15,-	507,-
Electric Pump TecPump 600 AC 230V	C	492,-	15,-	507,-
M 800, hot-dip galvanized	C	1432,-	277,-	1709,-
Level Indicator	C	212,-	9,-	221,-
Funnel for filling, PP	D	65,-	9,-	74,-
Filling/Extraction lid	C	65,-	9,-	74,-
Lid, galvanized, without a lock	C	188,-	15,-	203,-
Lid, galvanized, with square lock	C	233,-	18,-	251,-
Lid, galvanized, with cylinder lock	C	233,-	18,-	251,-
Castor Set, polyamide, Load capacity 1350 kg / castor set	A	185,-	15,-	200,-
Hand Pump K 10 C, connects to drum thread, suitable for fuels and heating fuel	C	91,-	14,-	105,-
Hose Kit (1.5 m) for Hand Pump Type K 10 C, suitable for diesel and fuel	C	65,-	14,-	79,-
Hose Kit (3 m) for Hand Pump Type K 10 C, suitable for diesel and fuel	C	92,-	15,-	107,-
Hose Kit (4 m) for Hand Pump Type K 10 C, suitable for diesel and fuel	C	105,-	15,-	120,-
Electric Pump TecPump 400 DC 12V	C	492,-	15,-	507,-
Electric Pump TecPump 400 DC 24V	C	492,-	15,-	507,-
Electric Pump TecPump 600 AC 230V	C	492,-	15,-	507,-

MobiCont Type MD	Category	Price	Freight charges	Price including freight charges
MD 800, painted	C	1868,-	277,-	2145,-
Level Indicator	C	212,-	9,-	221,-
Hand Pump K 10 C, connects to drum thread, suitable for fuels and heating fuel	C	91,-	14,-	105,-
Hose Kit (1.5 m) for Hand Pump Type K 10 C, suitable for diesel and fuel	C	65,-	14,-	79,-
Hose Kit (3 m) for Hand Pump Type K 10 C, suitable for diesel and fuel	C	92,-	15,-	107,-
Hose Kit (4 m) for Hand Pump Type K 10 C, suitable for diesel and fuel	C	105,-	15,-	120,-
Electric Pump TecPump 400 DC 12V	C	492,-	15,-	507,-
Electric Pump TecPump 400 DC 24V	C	492,-	15,-	507,-
Electric Pump TecPump 600 AC 230V	C	492,-	15,-	507,-
MD 800, hot-dip galvanized	C	1956,-	277,-	2233,-
Level Indicator	C	212,-	9,-	221,-
Hand Pump K 10 C, connects to drum thread, suitable for fuels and heating fuel	C	91,-	14,-	105,-
Hose Kit (1.5 m) for Hand Pump Type K 10 C, suitable for diesel and fuel	C	65,-	14,-	79,-
Hose Kit (3 m) for Hand Pump Type K 10 C, suitable for diesel and fuel	C	92,-	15,-	107,-
Hose Kit (4 m) for Hand Pump Type K 10 C, suitable for diesel and fuel	C	105,-	15,-	120,-
Electric Pump TecPump 400 DC 12V	C	492,-	15,-	507,-
Electric Pump TecPump 400 DC 24V	C	492,-	15,-	507,-
Electric Pump TecPump 600 AC 230V	C	492,-	15,-	507,-

MobiCont Type MO	Category	Price	Freight charges	Price including freight charges
MO 800, painted	C	on request	on request	on request
Level Indicator	C	212,-	9,-	221,-
MO 800, hot-dip galvanized	C	on request	on request	on request
Level Indicator	C	212,-	9,-	221,-

Prices in EUR, valid EXW DE-46354 Südlohn, DE-38820 Halberstadt, unpacked
 Freight charges valid CPT Spain, islands and oversea territories excluded

Price List 0424 en-ES

Hazardous Materials Containers



Fuel Container Type MT	Category	Price	Freight charges	Price including freight charges
MT 450, hot-dip galvanized	C	2147,-	277,-	2424,-
Level Indicator	C	212,-	9,-	221,-
Hand Pump K 10 C, connects to drum thread, suitable for fuels and heating fuel	C	91,-	14,-	105,-
Digital Flow Counter FMT 3 with screwed joints	C	309,-	9,-	318,-
Electric Pump TecPump 400 DC 12V	C	492,-	12,-	504,-
Electric Pump TecPump 400 DC 24V	C	492,-	12,-	504,-
Electric Pump TecPump 600 AC 230V	C	492,-	12,-	504,-
Counter Z 400, Retrofit Kit for Electric Pumps TecPump 400 DC 12V, 400 DC 24V and 600 AC 230V	C	153,-	9,-	162,-
MT 600, hot-dip galvanized	C	2554,-	277,-	2831,-
Level Indicator	C	212,-	9,-	221,-
Hand Pump K 10 C, connects to drum thread, suitable for fuels and heating fuel	C	91,-	14,-	105,-
Digital Flow Counter FMT 3 with screwed joints	C	309,-	9,-	318,-
Electric Pump TecPump 400 DC 12V	C	492,-	12,-	504,-
Electric Pump TecPump 400 DC 24V	C	492,-	12,-	504,-
Electric Pump TecPump 600 AC 230V	C	492,-	12,-	504,-
Counter Z 400, Retrofit Kit for Electric Pumps TecPump 400 DC 12V, 400 DC 24V and 600 AC 230V	C	153,-	9,-	162,-
MT 1000, hot-dip galvanized	C	2761,-	340,-	3101,-
Level Indicator	C	212,-	9,-	221,-
Hand Pump K 10 C, connects to drum thread, suitable for fuels and heating fuel	C	91,-	14,-	105,-
Digital Flow Counter FMT 3 with screwed joints	C	309,-	9,-	318,-
Electric Pump TecPump 400 DC 12V	C	492,-	12,-	504,-
Electric Pump TecPump 400 DC 24V	C	492,-	12,-	504,-
Electric Pump TecPump 600 AC 230V	C	492,-	12,-	504,-
Counter Z 400, Retrofit Kit for Electric Pumps TecPump 400 DC 12V, 400 DC 24V and 600 AC 230V	C	153,-	9,-	162,-

MobiCont Type MW	Category	Price	Freight charges	Price including freight charges
MW 800, painted	C	1722,-	277,-	1999,-
Level Indicator	C	212,-	9,-	221,-
Filling coupling	C	51,-	8,-	59,-
Tank heating, 220 W	C	371,-	12,-	383,-
Tank fitting	B	64,-	9,-	73,-
Anti-siphon valve	D	68,-	8,-	76,-
Aeration/Vent valve	C	26,-	8,-	34,-
MW 800, hot-dip galvanized	C	1813,-	277,-	2090,-
Level Indicator	C	212,-	9,-	221,-
Filling coupling	C	51,-	8,-	59,-
Tank heating, 220 W	C	371,-	12,-	383,-
Tank fitting	B	64,-	9,-	73,-
Anti-siphon valve	D	68,-	8,-	76,-
Aeration/Vent valve	C	26,-	8,-	34,-

Special Waste Container Type SAF	Category	Price	Freight charges	Price including freight charges
SAF 450, hot-dip galvanized	C	on request	on request	on request
SAF 600, hot-dip galvanized	C	on request	on request	on request
SAF 1000, hot-dip galvanized	C	on request	on request	on request

Prices in EUR, valid EXW DE-46354 Südlohn, DE-38820 Halberstadt, unpacked
 Freight charges valid CPT Spain, islands and oversea territories excluded

Price List 0424 en-ES

Hazardous Materials Containers



Large Salvage Packaging Type SAG	Category	Price	Freight charges	Price including freight charges
SAG 800, hot-dip galvanized	C	1102,-	277,-	1379,-
SAG 1500, hot-dip galvanized	C	2078,-	on request	on request
Polyethylene sacks, 25 pieces on roll	C	180,-	39,-	219,-
SAG 2100, hot-dip galvanized	C	2180,-	on request	on request
Polyethylene sacks, 25 pieces on roll	C	180,-	39,-	219,-
SAG 2700, hot-dip galvanized	C	2252,-	on request	on request
Polyethylene sacks, 25 pieces on roll	C	180,-	39,-	219,-

Special Waste Container Type SAP	Category	Price	Freight charges	Price including freight charges
SAP 450, hot-dip galvanized	C	on request	on request	on request
Polyethylene sacks, 50 pieces on roll - 0,085 mm	C	134,-	59,-	193,-
SAP 600, hot-dip galvanized	C	on request	on request	on request
Polyethylene sacks, 50 pieces on roll - 0,085 mm	C	134,-	59,-	193,-
SAP 800, hot-dip galvanized	C	on request	on request	on request
Polyethylene sacks, 50 pieces on roll - 0,085 mm	C	134,-	59,-	193,-

Special Waste Container Type SAP-1	Category	Price	Freight charges	Price including freight charges
SAP 450-1, hot-dip galvanized	C	on request	on request	on request
Polyethylene sacks, 50 pieces on roll - 0,085 mm	C	134,-	59,-	193,-
SAP 600-1, hot-dip galvanized	C	on request	on request	on request
Polyethylene sacks, 50 pieces on roll - 0,085 mm	C	134,-	59,-	193,-
SAP 800-1, hot-dip galvanized	C	on request	on request	on request
Polyethylene sacks, 50 pieces on roll - 0,085 mm	C	134,-	59,-	193,-
SAP 800-3, hot-dip galvanized	C	on request	on request	on request
Polyethylene sacks, 50 pieces on roll - 0,085 mm	C	134,-	59,-	193,-

Used Battery Container Type SAP 600 K	Category	Price	Freight charges	Price including freight charges
SAP 600 K, hot-dip galvanized	C	on request	on request	on request

Used Battery Container Type SAP 601 K	Category	Price	Freight charges	Price including freight charges
SAP 601 K, hot-dip galvanized	C	on request	on request	on request

Special Waste Container Type SAS	Category	Price	Freight charges	Price including freight charges
SAS 800, hot-dip galvanized	C	on request	on request	on request

Hazardous Materials Container Type SF	Category	Price	Freight charges	Price including freight charges
SF 240, hot-dip galvanized	C	on request	on request	on request

Fluorescent Tube Box Type SL	Category	Price	Freight charges	Price including freight charges
SL 150, painted	C	664,-	191,-	855,-
SL 150, hot-dip galvanized	C	794,-	191,-	985,-
SL 200, painted	C	740,-	191,-	931,-
SL 200, hot-dip galvanized	C	871,-	277,-	1148,-

Prices in EUR, valid EXW DE-46354 Südlohn, DE-38820 Halberstadt, unpacked
Freight charges valid CPT Spain, islands and oversea territories excluded

Price List 0424 en-ES

Hazardous Materials Containers



Fluorescent Tube Box Type SL-D	Category	Price	Freight charges	Price including freight charges
SL-D 150, painted	C	731,-	191,-	922,-
Removable Tray, galvanized	C	84,-	10,-	94,-
SL-D 150, hot-dip galvanized	C	850,-	191,-	1041,-
Removable Tray, galvanized	C	84,-	10,-	94,-
SL-D 200, painted	C	808,-	191,-	999,-
Removable Tray, galvanized	C	84,-	10,-	94,-
SL-D 200, hot-dip galvanized	C	940,-	191,-	1131,-
Removable Tray, galvanized	C	84,-	10,-	94,-

Fluorescent Tube Box Type SL-N	Category	Price	Freight charges	Price including freight charges
SL-N 220, painted	C	831,-	191,-	1022,-
SL-N 220, hot-dip galvanized	C	969,-	191,-	1160,-

Special Waste Container Type SP	Category	Price	Freight charges	Price including freight charges
SP 100, hot-dip galvanized	C	on request	on request	on request
SP 240, hot-dip galvanized	C	on request	on request	on request

Transport Box for Aerosol Cans Type STB	Category	Price	Freight charges	Price including freight charges
STB 1000, hot-dip galvanized	C	on request	on request	on request
Polyethylene sacks, 50 pieces on roll	C	185,-	59,-	244,-
Absorbent felt, 100 pieces	C	353,-	60,-	413,-

Prices in EUR, valid EXW DE-46354 Südlohn, DE-38820 Halberstadt, unpacked
Freight charges valid CPT Spain, islands and oversea territories excluded