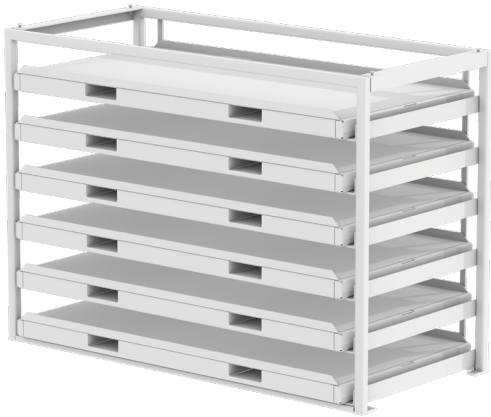
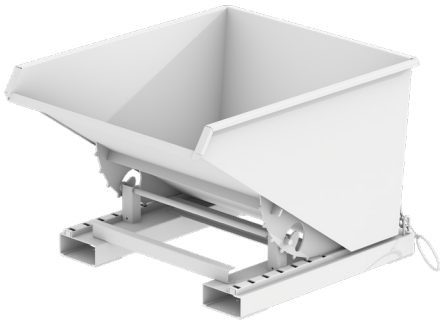


...made by



PRICE LIST 0424 EN-FI

FORKLIFT TRUCK ATTACHMENTS

WORKSPACE MATERIAL HANDLING

ENVIRONMENT / STORAGE

HAZARDOUS MATERIALS CONTAINERS

INNOVATION – CONSTRUCTION – PRODUCTION

... for more than 55 years

Price List 0424 en-FI Forklift Truck Attachments

Drum Gripper Type 3P	Category	Price	Freight charges	Price including freight charges
3P, painted	B	910,-	127,-	1037,-
3P, hot-dip galvanized	B	956,-	127,-	1083,-

Tilting Container Type 3S	Category	Price	Freight charges	Price including freight charges
3S 300, painted	A	1201,-	179,-	1380,-
Lid, galvanized	A	168,-	18,-	186,-
Castor Set, polyamide, Load capacity 1050 kg / castor set	A	131,-	15,-	146,-
3S 300, hot-dip galvanized	A	1296,-	258,-	1554,-
Lid, galvanized	A	168,-	18,-	186,-
Castor Set, polyamide, Load capacity 1050 kg / castor set	A	131,-	15,-	146,-
3S 600, painted	A	1256,-	258,-	1514,-
Lid, galvanized	A	189,-	22,-	211,-
Castor Set, polyamide, Load capacity 1050 kg / castor set	A	131,-	15,-	146,-
3S 600, hot-dip galvanized	A	1354,-	258,-	1612,-
Lid, galvanized	A	189,-	22,-	211,-
Castor Set, polyamide, Load capacity 1050 kg / castor set	A	131,-	15,-	146,-

Automatic Tilting Container Type 4A	Category	Price	Freight charges	Price including freight charges
4A 600, painted	A	1065,-	179,-	1244,-
Lid, galvanized	A	189,-	22,-	211,-
Skip Body Welded Oil and Watertight	A	75,-	0,-	75,-
4A 600, hot-dip galvanized	A	1207,-	179,-	1386,-
Lid, galvanized	A	189,-	22,-	211,-
Skip Body Welded Oil and Watertight	A	75,-	0,-	75,-
4A 900, painted	A	1197,-	258,-	1455,-
Lid, galvanized	A	215,-	27,-	242,-
Skip Body Welded Oil and Watertight	A	75,-	0,-	75,-
4A 900, hot-dip galvanized	A	1375,-	258,-	1633,-
Lid, galvanized	A	215,-	27,-	242,-
Skip Body Welded Oil and Watertight	A	75,-	0,-	75,-
4A 1200, painted	A	1282,-	258,-	1540,-
Lid, galvanized	A	215,-	26,-	241,-
Skip Body Welded Oil and Watertight	A	116,-	0,-	116,-
4A 1200, hot-dip galvanized	A	1505,-	258,-	1763,-
Lid, galvanized	A	215,-	26,-	241,-
Skip Body Welded Oil and Watertight	A	116,-	0,-	116,-

Drum Gripper Type 4P	Category	Price	Freight charges	Price including freight charges
4P, painted	B	558,-	70,-	628,-
4P, hot-dip galvanized	B	532,-	70,-	602,-

Prices in EUR, valid EXW DE-46354 Südlohn, DE-38820 Halberstadt, unpacked
Freight charges valid CPT Finland, islands and oversea territories excluded

Price List 0424 en-FI

Forklift Truck Attachments



Drum Gripper Type 4P-D	Category	Price	Freight charges	Price including freight charges
4P-D120, painted	B	558,-	70,-	628,-
4P-D120, hot-dip galvanized	B	532,-	70,-	602,-
4P-D220, painted	B	558,-	70,-	628,-
4P-D220, hot-dip galvanized	B	532,-	70,-	602,-

Tilting Container Type AK	Category	Price	Freight charges	Price including freight charges
AK 50, painted	A	774,-	179,-	953,-
Lid, galvanized	A	135,-	16,-	151,-
Castor Set, polyamide, Load capacity 1050 kg / castor set	A	131,-	15,-	146,-
Skip Body Welded Oil and Watertight	A	75,-	0,-	75,-
AK 50, hot-dip galvanized	A	923,-	179,-	1102,-
Lid, galvanized	A	135,-	16,-	151,-
Castor Set, polyamide, Load capacity 1050 kg / castor set	A	131,-	15,-	146,-
Skip Body Welded Oil and Watertight	A	75,-	0,-	75,-
AK 75, painted	A	866,-	179,-	1045,-
Lid, galvanized	A	185,-	21,-	206,-
Castor Set, polyamide, Load capacity 1050 kg / castor set	A	131,-	15,-	146,-
Skip Body Welded Oil and Watertight	A	75,-	0,-	75,-
AK 75, hot-dip galvanized	A	1012,-	258,-	1270,-
Lid, galvanized	A	185,-	21,-	206,-
Castor Set, polyamide, Load capacity 1050 kg / castor set	A	131,-	15,-	146,-
Skip Body Welded Oil and Watertight	A	75,-	0,-	75,-
AK 100, painted	A	937,-	258,-	1195,-
Lid, galvanized	A	210,-	26,-	236,-
Castor Set, polyamide, Load capacity 1050 kg / castor set	A	131,-	15,-	146,-
Skip Body Welded Oil and Watertight	A	116,-	0,-	116,-
AK 100, hot-dip galvanized	A	1094,-	258,-	1352,-
Lid, galvanized	A	210,-	26,-	236,-
Castor Set, polyamide, Load capacity 1050 kg / castor set	A	131,-	15,-	146,-
Skip Body Welded Oil and Watertight	A	116,-	0,-	116,-
AK 150, painted	A	1196,-	258,-	1454,-
Lid, galvanized	A	294,-	28,-	322,-
Castor Set, polyamide, Load capacity 1050 kg / castor set	A	131,-	15,-	146,-
Skip Body Welded Oil and Watertight	A	116,-	0,-	116,-
AK 150, hot-dip galvanized	A	1399,-	258,-	1657,-
Lid, galvanized	A	294,-	28,-	322,-
Castor Set, polyamide, Load capacity 1050 kg / castor set	A	131,-	15,-	146,-
Skip Body Welded Oil and Watertight	A	116,-	0,-	116,-

Container for Building Materials Type BBG	Category	Price	Freight charges	Price including freight charges
BBG 100, painted	A	391,-	179,-	570,-
Lid, galvanized	A	182,-	127,-	309,-
BBG 100, hot-dip galvanized	A	479,-	179,-	658,-
Lid, galvanized	A	182,-	127,-	309,-

Prices in EUR, valid EXW DE-46354 Südlohn, DE-38820 Halberstadt, unpacked
Freight charges valid CPT Finland, islands and oversea territories excluded

Price List 0424 en-FI

Forklift Truck Attachments



Container for Building Materials Type BBK	Category	Price	Freight charges	Price including freight charges
BBK 100, painted	A	479,-	179,-	658,-
Lid, galvanized	A	182,-	127,-	309,-
BBK 100, hot-dip galvanized	A	551,-	179,-	730,-
Lid, galvanized	A	182,-	127,-	309,-
Material Container Type BBM	Category	Price	Freight charges	Price including freight charges
BBM 500, painted	A	314,-	127,-	441,-
BBM 500, hot-dip galvanized	A	346,-	127,-	473,-
Container for Building Materials Type BBP	Category	Price	Freight charges	Price including freight charges
BBP 100, painted	A	418,-	127,-	545,-
Lid, galvanized	A	182,-	127,-	309,-
Pick-up cones (pins) and angle iron traverse lock	A	49,-	10,-	59,-
BBP 100, hot-dip galvanized	A	493,-	127,-	620,-
Lid, galvanized	A	182,-	127,-	309,-
Pick-up cones (pins) and angle iron traverse lock	A	49,-	10,-	59,-
Tilting Traverse for Containers for Building Material Containers Type BBT	Category	Price	Freight charges	Price including freight charges
BBT, painted	A	551,-	179,-	730,-
BBT, hot-dip galvanized	A	627,-	179,-	806,-
Building Materials Container Type BC	Category	Price	Freight charges	Price including freight charges
BC 500, painted	B	924,-	179,-	1103,-
Lid, galvanized	B	138,-	16,-	154,-
Castor Set, polyamide, Load capacity 1350 kg / castor set	A	185,-	15,-	200,-
BC 500, hot-dip galvanized	B	1139,-	258,-	1397,-
Lid, galvanized	B	138,-	16,-	154,-
Castor Set, polyamide, Load capacity 1350 kg / castor set	A	185,-	15,-	200,-
BC 500 (brick clamp operated), painted	B	991,-	179,-	1170,-
Lid, galvanized	B	138,-	16,-	154,-
Castor Set, polyamide, Load capacity 1350 kg / castor set	A	185,-	15,-	200,-
BC 500 (brick clamp operated), hot-dip galvanized	B	1207,-	258,-	1465,-
Lid, galvanized	B	138,-	16,-	154,-
Castor Set, polyamide, Load capacity 1350 kg / castor set	A	185,-	15,-	200,-
BC 1000, painted	B	1007,-	258,-	1265,-
Lid, galvanized	B	138,-	16,-	154,-
Castor Set, polyamide, Load capacity 1350 kg / castor set	A	185,-	15,-	200,-
BC 1000, hot-dip galvanized	B	1271,-	258,-	1529,-
Lid, galvanized	B	138,-	16,-	154,-
Castor Set, polyamide, Load capacity 1350 kg / castor set	A	185,-	15,-	200,-
BC 1000 (brick clamp operated), painted	B	1073,-	258,-	1331,-
Lid, galvanized	B	138,-	16,-	154,-
Castor Set, polyamide, Load capacity 1350 kg / castor set	A	185,-	15,-	200,-
BC 1000 (brick clamp operated), hot-dip galvanized	B	1339,-	258,-	1597,-
Lid, galvanized	B	138,-	16,-	154,-

Prices in EUR, valid EXW DE-46354 Südlohn, DE-38820 Halberstadt, unpacked
Freight charges valid CPT Finland, islands and oversea territories excluded

Price List 0424 en-FI

Forklift Truck Attachments



Building Materials Container Type BC	Category	Price	Freight charges	Price including freight charges
Castor Set, polyamide, Load capacity 1350 kg / castor set	A	185,-	15,-	200,-
Tilting Container Type BK	Category	Price	Freight charges	Price including freight charges
BK 30, painted	A	676,-	179,-	855,-
Lid, galvanized	A	94,-	18,-	112,-
Castor Set, polyamide, Load capacity 1350 kg / castor set	A	185,-	15,-	200,-
Castor Set, polyamide, Load capacity 2550 kg / castor set	A	366,-	15,-	381,-
Skip Body Welded Oil and Watertight	A	75,-	0,-	75,-
BK 30, hot-dip galvanized	A	950,-	179,-	1129,-
Lid, galvanized	A	94,-	18,-	112,-
Castor Set, polyamide, Load capacity 1350 kg / castor set	A	185,-	15,-	200,-
Castor Set, polyamide, Load capacity 2550 kg / castor set	A	366,-	15,-	381,-
Skip Body Welded Oil and Watertight	A	75,-	0,-	75,-
BK 50, painted	A	950,-	179,-	1129,-
Lid, galvanized	A	94,-	20,-	114,-
Castor Set, polyamide, Load capacity 1350 kg / castor set	A	185,-	15,-	200,-
Castor Set, polyamide, Load capacity 2550 kg / castor set	A	366,-	15,-	381,-
Skip Body Welded Oil and Watertight	A	75,-	0,-	75,-
BK 50, hot-dip galvanized	A	1282,-	258,-	1540,-
Lid, galvanized	A	94,-	20,-	114,-
Castor Set, polyamide, Load capacity 1350 kg / castor set	A	185,-	15,-	200,-
Castor Set, polyamide, Load capacity 2550 kg / castor set	A	366,-	15,-	381,-
Skip Body Welded Oil and Watertight	A	75,-	0,-	75,-
BK 80, painted	A	1253,-	258,-	1511,-
Lid, galvanized	A	139,-	22,-	161,-
Castor Set, polyamide, Load capacity 1350 kg / castor set	A	185,-	15,-	200,-
Castor Set, polyamide, Load capacity 2550 kg / castor set	A	366,-	15,-	381,-
Skip Body Welded Oil and Watertight	A	75,-	0,-	75,-
BK 80, hot-dip galvanized	A	1752,-	258,-	2010,-
Lid, galvanized	A	139,-	22,-	161,-
Castor Set, polyamide, Load capacity 1350 kg / castor set	A	185,-	15,-	200,-
Castor Set, polyamide, Load capacity 2550 kg / castor set	A	366,-	15,-	381,-
Skip Body Welded Oil and Watertight	A	75,-	0,-	75,-
BK 100, painted	A	1457,-	258,-	1715,-
Lid, galvanized	A	167,-	27,-	194,-
Castor Set, polyamide, Load capacity 1350 kg / castor set	A	185,-	15,-	200,-
Castor Set, polyamide, Load capacity 2550 kg / castor set	A	366,-	15,-	381,-
Skip Body Welded Oil and Watertight	A	116,-	0,-	116,-
BK 100, hot-dip galvanized	A	2000,-	258,-	2258,-
Lid, galvanized	A	167,-	27,-	194,-
Castor Set, polyamide, Load capacity 1350 kg / castor set	A	185,-	15,-	200,-
Castor Set, polyamide, Load capacity 2550 kg / castor set	A	366,-	15,-	381,-
Skip Body Welded Oil and Watertight	A	116,-	0,-	116,-
BK 120, painted	A	1584,-	258,-	1842,-
Lid, galvanized	A	177,-	32,-	209,-
Castor Set, polyamide, Load capacity 1350 kg / castor set	A	185,-	15,-	200,-

Prices in EUR, valid EXW DE-46354 Südlohn, DE-38820 Halberstadt, unpacked
Freight charges valid CPT Finland, islands and oversea territories excluded

Price List 0424 en-FI

Forklift Truck Attachments



Tilting Container Type BK	Category	Price	Freight charges	Price including freight charges
Castor Set, polyamide, Load capacity 2550 kg / castor set	A	366,-	15,-	381,-
Skip Body Welded Oil and Watertight	A	116,-	0,-	116,-
BK 120, hot-dip galvanized	A	2159,-	258,-	2417,-
Lid, galvanized	A	177,-	32,-	209,-
Castor Set, polyamide, Load capacity 1350 kg / castor set	A	185,-	15,-	200,-
Castor Set, polyamide, Load capacity 2550 kg / castor set	A	366,-	15,-	381,-
Skip Body Welded Oil and Watertight	A	116,-	0,-	116,-
BK 150, painted	A	1740,-	331,-	2071,-
Lid, galvanized	A	203,-	39,-	242,-
Castor Set, polyamide, Load capacity 1350 kg / castor set	A	185,-	15,-	200,-
Castor Set, polyamide, Load capacity 2550 kg / castor set	A	366,-	15,-	381,-
Skip Body Welded Oil and Watertight	A	116,-	0,-	116,-
BK 150, hot-dip galvanized	A	2361,-	331,-	2692,-
Lid, galvanized	A	203,-	39,-	242,-
Castor Set, polyamide, Load capacity 1350 kg / castor set	A	185,-	15,-	200,-
Castor Set, polyamide, Load capacity 2550 kg / castor set	A	366,-	15,-	381,-
Skip Body Welded Oil and Watertight	A	116,-	0,-	116,-
BK 200, painted	A	2164,-	331,-	2495,-
Lid, galvanized	A	215,-	127,-	342,-
Castor Set, polyamide, Load capacity 1350 kg / castor set	A	185,-	15,-	200,-
Castor Set, polyamide, Load capacity 2550 kg / castor set	A	366,-	15,-	381,-
Skip Body Welded Oil and Watertight	A	116,-	0,-	116,-
BK 200, hot-dip galvanized	A	2948,-	461,-	3409,-
Lid, galvanized	A	215,-	127,-	342,-
Castor Set, polyamide, Load capacity 1350 kg / castor set	A	185,-	15,-	200,-
Castor Set, polyamide, Load capacity 2550 kg / castor set	A	366,-	15,-	381,-
Skip Body Welded Oil and Watertight	A	116,-	0,-	116,-
Container With Drop Away Base Type BKB	Category	Price	Freight charges	Price including freight charges
BKB 500, painted	A	737,-	179,-	916,-
Lid, galvanized	A	189,-	18,-	207,-
Castor Set, polyamide, Load capacity 1350 kg / castor set	A	185,-	15,-	200,-
BKB 500, hot-dip galvanized	A	876,-	179,-	1055,-
Lid, galvanized	A	189,-	18,-	207,-
Castor Set, polyamide, Load capacity 1350 kg / castor set	A	185,-	15,-	200,-
BKB 700, painted	A	788,-	179,-	967,-
Lid, galvanized	A	189,-	18,-	207,-
Castor Set, polyamide, Load capacity 1350 kg / castor set	A	185,-	15,-	200,-
BKB 700, hot-dip galvanized	A	927,-	179,-	1106,-
Lid, galvanized	A	189,-	18,-	207,-
Castor Set, polyamide, Load capacity 1350 kg / castor set	A	185,-	15,-	200,-
BKB 1000, painted	A	835,-	179,-	1014,-
Lid, galvanized	A	189,-	18,-	207,-
Castor Set, polyamide, Load capacity 1350 kg / castor set	A	185,-	15,-	200,-
BKB 1000, hot-dip galvanized	A	994,-	179,-	1173,-
Lid, galvanized	A	189,-	18,-	207,-

Prices in EUR, valid EXW DE-46354 Südlohn, DE-38820 Halberstadt, unpacked
Freight charges valid CPT Finland, islands and oversea territories excluded

Price List 0424 en-FI

Forklift Truck Attachments



Container With Drop Away Base Type BKB	Category	Price	Freight charges	Price including freight charges
Castor Set, polyamide, Load capacity 1350 kg / castor set	A	185,-	15,-	200,-

Tilting Container Type BKC	Category	Price	Freight charges	Price including freight charges
BKC 200, painted	A	2229,-	461,-	2690,-
Lid, galvanized	A	434,-	127,-	561,-
Skip Body Welded Oil and Watertight	A	116,-	0,-	116,-
BKC 200, hot-dip galvanized	A	2984,-	461,-	3445,-
Lid, galvanized	A	434,-	127,-	561,-
Skip Body Welded Oil and Watertight	A	116,-	0,-	116,-
BKC 300, painted	A	2471,-	461,-	2932,-
Lid, galvanized	A	434,-	127,-	561,-
Skip Body Welded Oil and Watertight	A	116,-	0,-	116,-
BKC 300, hot-dip galvanized	A	3253,-	461,-	3714,-
Lid, galvanized	A	434,-	127,-	561,-
Skip Body Welded Oil and Watertight	A	116,-	0,-	116,-
BKC 400, painted	A	3043,-	461,-	3504,-
Lid, galvanized	A	434,-	179,-	613,-
Skip Body Welded Oil and Watertight	A	116,-	0,-	116,-
BKC 400, hot-dip galvanized	A	3929,-	593,-	4522,-
Lid, galvanized	A	434,-	179,-	613,-
Skip Body Welded Oil and Watertight	A	116,-	0,-	116,-
BKC 500, painted	A	3535,-	593,-	4128,-
Lid, galvanized	A	434,-	179,-	613,-
Skip Body Welded Oil and Watertight	A	116,-	0,-	116,-
BKC 500, hot-dip galvanized	A	4484,-	593,-	5077,-
Lid, galvanized	A	434,-	179,-	613,-
Skip Body Welded Oil and Watertight	A	116,-	0,-	116,-

Tilting Container Type BKC-H	Category	Price	Freight charges	Price including freight charges
BKC-H 200, painted	A	3306,-	461,-	3767,-
Skip Body Welded Oil and Watertight	A	116,-	0,-	116,-
Lid, galvanized	A	434,-	127,-	561,-
BKC-H 200, hot-dip galvanized	A	4061,-	461,-	4522,-
Lid, galvanized	A	434,-	127,-	561,-
Skip Body Welded Oil and Watertight	A	116,-	0,-	116,-
BKC-H 300, painted	A	3548,-	461,-	4009,-
Skip Body Welded Oil and Watertight	A	116,-	0,-	116,-
Lid, galvanized	A	434,-	127,-	561,-
BKC-H 300, hot-dip galvanized	A	4331,-	461,-	4792,-
Lid, galvanized	A	434,-	127,-	561,-
Skip Body Welded Oil and Watertight	A	116,-	0,-	116,-
BKC-H 400, painted	A	4120,-	461,-	4581,-
Lid, galvanized	A	434,-	179,-	613,-
Skip Body Welded Oil and Watertight	A	116,-	0,-	116,-
BKC-H 400, hot-dip galvanized	A	5006,-	593,-	5599,-

Prices in EUR, valid EXW DE-46354 Südlohn, DE-38820 Halberstadt, unpacked
Freight charges valid CPT Finland, islands and oversea territories excluded

Price List 0424 en-FI

Forklift Truck Attachments



Tilting Container Type BKC-H	Category	Price	Freight charges	Price including freight charges
Lid, galvanized	A	434,-	179,-	613,-
Skip Body Welded Oil and Watertight	A	116,-	0,-	116,-
BKC-H 500, painted	A	4612,-	593,-	5205,-
Lid, galvanized	A	434,-	179,-	613,-
Skip Body Welded Oil and Watertight	A	116,-	0,-	116,-
BKC-H 500, hot-dip galvanized	A	5561,-	593,-	6154,-
Skip Body Welded Oil and Watertight	A	116,-	0,-	116,-
Lid, galvanized	A	434,-	179,-	613,-

Tilting Container Type BKM	Category	Price	Freight charges	Price including freight charges
BKM 30, painted	A	676,-	179,-	855,-
Lid, galvanized	A	100,-	18,-	118,-
Castor Set, polyamide, Load capacity 1350 kg / castor set	A	185,-	15,-	200,-
Castor Set, polyamide, Load capacity 2550 kg / castor set	A	366,-	15,-	381,-
Skip Body Welded Oil and Watertight	A	75,-	0,-	75,-
BKM 30, hot-dip galvanized	A	950,-	179,-	1129,-
Lid, galvanized	A	100,-	18,-	118,-
Castor Set, polyamide, Load capacity 1350 kg / castor set	A	185,-	15,-	200,-
Castor Set, polyamide, Load capacity 2550 kg / castor set	A	366,-	15,-	381,-
Skip Body Welded Oil and Watertight	A	75,-	0,-	75,-
BKM 50, painted	A	950,-	179,-	1129,-
Lid, galvanized	A	125,-	21,-	146,-
Castor Set, polyamide, Load capacity 1350 kg / castor set	A	185,-	15,-	200,-
Castor Set, polyamide, Load capacity 2550 kg / castor set	A	366,-	15,-	381,-
Skip Body Welded Oil and Watertight	A	75,-	0,-	75,-
BKM 50, hot-dip galvanized	A	1282,-	179,-	1461,-
Lid, galvanized	A	125,-	21,-	146,-
Castor Set, polyamide, Load capacity 1350 kg / castor set	A	185,-	15,-	200,-
Castor Set, polyamide, Load capacity 2550 kg / castor set	A	366,-	15,-	381,-
Skip Body Welded Oil and Watertight	A	75,-	0,-	75,-
BKM 75, painted	A	1203,-	258,-	1461,-
Lid, galvanized	A	137,-	22,-	159,-
Castor Set, polyamide, Load capacity 1350 kg / castor set	A	185,-	15,-	200,-
Castor Set, polyamide, Load capacity 2550 kg / castor set	A	366,-	15,-	381,-
Skip Body Welded Oil and Watertight	A	75,-	0,-	75,-
BKM 75, hot-dip galvanized	A	1615,-	258,-	1873,-
Lid, galvanized	A	137,-	22,-	159,-
Castor Set, polyamide, Load capacity 1350 kg / castor set	A	185,-	15,-	200,-
Castor Set, polyamide, Load capacity 2550 kg / castor set	A	366,-	15,-	381,-
Skip Body Welded Oil and Watertight	A	75,-	0,-	75,-
BKM 100, painted	A	1457,-	258,-	1715,-
Lid, galvanized	A	178,-	27,-	205,-
Castor Set, polyamide, Load capacity 1350 kg / castor set	A	185,-	15,-	200,-
Castor Set, polyamide, Load capacity 2550 kg / castor set	A	366,-	15,-	381,-
Skip Body Welded Oil and Watertight	A	116,-	0,-	116,-
BKM 100, hot-dip galvanized	A	2000,-	258,-	2258,-

Prices in EUR, valid EXW DE-46354 Südlohn, DE-38820 Halberstadt, unpacked
Freight charges valid CPT Finland, islands and oversea territories excluded

Price List 0424 en-FI

Forklift Truck Attachments



Tilting Container Type BKM	Category	Price	Freight charges	Price including freight charges
Lid, galvanized	A	178,-	27,-	205,-
Castor Set, polyamide, Load capacity 1350 kg / castor set	A	185,-	15,-	200,-
Castor Set, polyamide, Load capacity 2550 kg / castor set	A	366,-	15,-	381,-
Skip Body Welded Oil and Watertight	A	116,-	0,-	116,-
BKM 150, painted	A	1740,-	331,-	2071,-
Lid, galvanized	A	261,-	36,-	297,-
Castor Set, polyamide, Load capacity 1350 kg / castor set	A	185,-	15,-	200,-
Castor Set, polyamide, Load capacity 2550 kg / castor set	A	366,-	15,-	381,-
Skip Body Welded Oil and Watertight	A	116,-	0,-	116,-
BKM 150, hot-dip galvanized	A	2361,-	331,-	2692,-
Lid, galvanized	A	261,-	36,-	297,-
Castor Set, polyamide, Load capacity 1350 kg / castor set	A	185,-	15,-	200,-
Castor Set, polyamide, Load capacity 2550 kg / castor set	A	366,-	15,-	381,-
Skip Body Welded Oil and Watertight	A	116,-	0,-	116,-
BKM 200, painted	A	2164,-	331,-	2495,-
Lid, galvanized	A	291,-	127,-	418,-
Castor Set, polyamide, Load capacity 1350 kg / castor set	A	185,-	15,-	200,-
Castor Set, polyamide, Load capacity 2550 kg / castor set	A	366,-	15,-	381,-
Skip Body Welded Oil and Watertight	A	116,-	0,-	116,-
BKM 200, hot-dip galvanized	A	2948,-	461,-	3409,-
Lid, galvanized	A	291,-	127,-	418,-
Castor Set, polyamide, Load capacity 1350 kg / castor set	A	185,-	15,-	200,-
Castor Set, polyamide, Load capacity 2550 kg / castor set	A	366,-	15,-	381,-
Skip Body Welded Oil and Watertight	A	116,-	0,-	116,-
Traverse For Stacking Tipper Type BKT	Category	Price	Freight charges	Price including freight charges
BKT 30, painted	A	355,-	179,-	534,-
Traverse Stand Type TS, hot-dip galvanized	A	75,-	8,-	83,-
BKT 55, painted	A	376,-	179,-	555,-
Traverse Stand Type TS, hot-dip galvanized	A	75,-	9,-	84,-
BKT 70, painted	A	376,-	179,-	555,-
Traverse Stand Type TS, hot-dip galvanized	A	75,-	9,-	84,-
BKT 90, painted	A	378,-	179,-	557,-
Traverse Stand Type TS, hot-dip galvanized	A	75,-	9,-	84,-
BKT 150, painted	A	609,-	179,-	788,-
Traverse Stand Type TS, hot-dip galvanized	A	75,-	9,-	84,-
BKT 200, painted	A	672,-	179,-	851,-
Traverse Stand Type TS, hot-dip galvanized	A	75,-	9,-	84,-
Shovel Type BSE	Category	Price	Freight charges	Price including freight charges
BSE 50, painted	A	1435,-	258,-	1693,-
BSE 75, painted	A	1709,-	258,-	1967,-
BSE 100, painted	A	2143,-	331,-	2474,-
BSE 150, painted	A	2422,-	331,-	2753,-
BSE 200, painted	A	2691,-	461,-	3152,-

Prices in EUR, valid EXW DE-46354 Südlohn, DE-38820 Halberstadt, unpacked
Freight charges valid CPT Finland, islands and oversea territories excluded

Price List 0424 en-FI

Forklift Truck Attachments



Shovel Type BSE	Category	Price	Freight charges	Price including freight charges
BSE 250, painted	A	3316,-	511,-	3827,-
Shovel Type BSI	Category	Price	Freight charges	Price including freight charges
BSI 50, painted	A	1214,-	179,-	1393,-
BSI 75, painted	A	1375,-	258,-	1633,-
BSI 100, painted	A	1725,-	258,-	1983,-
Stacking Tipper Type BSK	Category	Price	Freight charges	Price including freight charges
BSK 30, painted	A	256,-	127,-	383,-
Lid, galvanized	A	66,-	12,-	78,-
Castor Set, polyamide, Load capacity 1350 kg / castor set	A	185,-	15,-	200,-
Skip Body Welded Oil and Watertight	A	75,-	0,-	75,-
Set of 5 self-adhesive stickers with symbols for: glass, paper, plastic, metal, residual waste	A	28,-	on request	on request
BSK 30, hot-dip galvanized	A	309,-	127,-	436,-
Lid, galvanized	A	66,-	12,-	78,-
Castor Set, polyamide, Load capacity 1350 kg / castor set	A	185,-	15,-	200,-
Skip Body Welded Oil and Watertight	A	75,-	0,-	75,-
Set of 5 self-adhesive stickers with symbols for: glass, paper, plastic, metal, residual waste	A	28,-	on request	on request
BSK 55, painted	A	320,-	127,-	447,-
Lid, galvanized	A	94,-	15,-	109,-
Castor Set, polyamide, Load capacity 1350 kg / castor set	A	185,-	15,-	200,-
Skip Body Welded Oil and Watertight	A	75,-	0,-	75,-
Set of 5 self-adhesive stickers with symbols for: glass, paper, plastic, metal, residual waste	A	28,-	on request	on request
BSK 55, hot-dip galvanized	A	391,-	127,-	518,-
Lid, galvanized	A	94,-	15,-	109,-
Castor Set, polyamide, Load capacity 1350 kg / castor set	A	185,-	15,-	200,-
Skip Body Welded Oil and Watertight	A	75,-	0,-	75,-
Set of 5 self-adhesive stickers with symbols for: glass, paper, plastic, metal, residual waste	A	28,-	on request	on request
BSK 70, painted	A	340,-	127,-	467,-
Lid, galvanized	A	117,-	15,-	132,-
Castor Set, polyamide, Load capacity 1350 kg / castor set	A	185,-	15,-	200,-
Skip Body Welded Oil and Watertight	A	75,-	0,-	75,-
Set of 5 self-adhesive stickers with symbols for: glass, paper, plastic, metal, residual waste	A	28,-	on request	on request
BSK 70, hot-dip galvanized	A	441,-	127,-	568,-
Lid, galvanized	A	117,-	15,-	132,-
Castor Set, polyamide, Load capacity 1350 kg / castor set	A	185,-	15,-	200,-
Skip Body Welded Oil and Watertight	A	75,-	0,-	75,-
Set of 5 self-adhesive stickers with symbols for: glass, paper, plastic, metal, residual waste	A	28,-	on request	on request
BSK 90, painted	A	366,-	127,-	493,-
Lid, galvanized	A	160,-	18,-	178,-
Castor Set, polyamide, Load capacity 1350 kg / castor set	A	185,-	15,-	200,-
Skip Body Welded Oil and Watertight	A	75,-	0,-	75,-
Set of 5 self-adhesive stickers with symbols for: glass, paper, plastic, metal, residual waste	A	28,-	on request	on request
BSK 90, hot-dip galvanized	A	470,-	179,-	649,-
Lid, galvanized	A	160,-	18,-	178,-

Prices in EUR, valid EXW DE-46354 Südlohn, DE-38820 Halberstadt, unpacked
Freight charges valid CPT Finland, islands and oversea territories excluded

Price List 0424 en-FI

Forklift Truck Attachments



Stacking Tipper Type BSK	Category	Price	Freight charges	Price including freight charges
Castor Set, polyamide, Load capacity 1350 kg / castor set	A	185,-	15,-	200,-
Skip Body Welded Oil and Watertight	A	75,-	0,-	75,-
Set of 5 self-adhesive stickers with symbols for: glass, paper, plastic, metal, residual waste	A	28,-	on request	on request
BSK 150, painted	A	841,-	179,-	1020,-
Lid, galvanized	A	215,-	21,-	236,-
Castor Set, polyamide, Load capacity 1350 kg / castor set	A	185,-	15,-	200,-
Skip Body Welded Oil and Watertight	A	116,-	0,-	116,-
Set of 5 self-adhesive stickers with symbols for: glass, paper, plastic, metal, residual waste	A	28,-	on request	on request
BSK 150, hot-dip galvanized	A	984,-	179,-	1163,-
Lid, galvanized	A	215,-	21,-	236,-
Castor Set, polyamide, Load capacity 1350 kg / castor set	A	185,-	15,-	200,-
Skip Body Welded Oil and Watertight	A	116,-	0,-	116,-
Set of 5 self-adhesive stickers with symbols for: glass, paper, plastic, metal, residual waste	A	28,-	on request	on request
BSK 200, painted	A	902,-	179,-	1081,-
Lid, galvanized	A	274,-	26,-	300,-
Castor Set, polyamide, Load capacity 1350 kg / castor set	A	185,-	15,-	200,-
Skip Body Welded Oil and Watertight	A	116,-	0,-	116,-
Set of 5 self-adhesive stickers with symbols for: glass, paper, plastic, metal, residual waste	A	28,-	on request	on request
BSK 200, hot-dip galvanized	A	1129,-	179,-	1308,-
Lid, galvanized	A	274,-	26,-	300,-
Castor Set, polyamide, Load capacity 1350 kg / castor set	A	185,-	15,-	200,-
Skip Body Welded Oil and Watertight	A	116,-	0,-	116,-
Set of 5 self-adhesive stickers with symbols for: glass, paper, plastic, metal, residual waste	A	28,-	on request	on request
Lattice Tilting Container Type BSK-G	Category	Price	Freight charges	Price including freight charges
BSK-G 90, painted	A	332,-	127,-	459,-
Lid, galvanized	A	160,-	18,-	178,-
Castor Set, polyamide, Load capacity 1350 kg / castor set	A	185,-	15,-	200,-
BSK-G 90, hot-dip galvanized	A	404,-	127,-	531,-
Lid, galvanized	A	160,-	18,-	178,-
Castor Set, polyamide, Load capacity 1350 kg / castor set	A	185,-	15,-	200,-
Swarf Stacking Tipper Type BSL	Category	Price	Freight charges	Price including freight charges
BSL 30, painted	A	570,-	127,-	697,-
Lid, galvanized	A	66,-	12,-	78,-
Castor Set, polyamide, Load capacity 1350 kg / castor set	A	185,-	15,-	200,-
BSL 30, hot-dip galvanized	A	656,-	127,-	783,-
Lid, galvanized	A	66,-	12,-	78,-
Castor Set, polyamide, Load capacity 1350 kg / castor set	A	185,-	15,-	200,-
BSL 55, painted	A	701,-	179,-	880,-
Lid, galvanized	A	94,-	15,-	109,-
Castor Set, polyamide, Load capacity 1350 kg / castor set	A	185,-	15,-	200,-
BSL 55, hot-dip galvanized	A	823,-	179,-	1002,-
Lid, galvanized	A	94,-	15,-	109,-
Castor Set, polyamide, Load capacity 1350 kg / castor set	A	185,-	15,-	200,-

Prices in EUR, valid EXW DE-46354 Südlohn, DE-38820 Halberstadt, unpacked
Freight charges valid CPT Finland, islands and oversea territories excluded

Price List 0424 en-FI

Forklift Truck Attachments



Swarf Stacking Tipper Type BSL	Category	Price	Freight charges	Price including freight charges
BSL 70, painted	A	737,-	179,-	916,-
Lid, galvanized	A	117,-	15,-	132,-
Castor Set, polyamide, Load capacity 1350 kg / castor set	A	185,-	15,-	200,-
BSL 70, hot-dip galvanized	A	881,-	179,-	1060,-
Lid, galvanized	A	117,-	15,-	132,-
Castor Set, polyamide, Load capacity 1350 kg / castor set	A	185,-	15,-	200,-
BSL 90, painted	A	801,-	179,-	980,-
Lid, galvanized	A	160,-	18,-	178,-
Castor Set, polyamide, Load capacity 1350 kg / castor set	A	185,-	15,-	200,-
BSL 90, hot-dip galvanized	A	970,-	179,-	1149,-
Lid, galvanized	A	160,-	18,-	178,-
Castor Set, polyamide, Load capacity 1350 kg / castor set	A	185,-	15,-	200,-
BSL 150, painted	A	1185,-	179,-	1364,-
Lid, galvanized	A	215,-	21,-	236,-
Castor Set, polyamide, Load capacity 1350 kg / castor set	A	185,-	15,-	200,-
BSL 150, hot-dip galvanized	A	1439,-	258,-	1697,-
Lid, galvanized	A	215,-	21,-	236,-
Castor Set, polyamide, Load capacity 1350 kg / castor set	A	185,-	15,-	200,-
BSL 200, painted	A	1282,-	258,-	1540,-
Lid, galvanized	A	274,-	26,-	300,-
Castor Set, polyamide, Load capacity 1350 kg / castor set	A	185,-	15,-	200,-
BSL 200, hot-dip galvanized	A	1731,-	258,-	1989,-
Lid, galvanized	A	274,-	26,-	300,-
Castor Set, polyamide, Load capacity 1350 kg / castor set	A	185,-	15,-	200,-
Shovel Type BSM	Category	Price	Freight charges	Price including freight charges
BSM 50, painted	A	1435,-	179,-	1614,-
BSM 75, painted	A	1709,-	258,-	1967,-
BSM 100, painted	A	2143,-	331,-	2474,-
BSM 150, painted	A	2422,-	331,-	2753,-
BSM 200, painted	A	2691,-	461,-	3152,-
BSM 250, painted	A	3316,-	511,-	3827,-
Swarf Stacking Tipper Type BSS	Category	Price	Freight charges	Price including freight charges
BSS 30, painted	A	407,-	127,-	534,-
Lid, galvanized	A	66,-	12,-	78,-
Castor Set, polyamide, Load capacity 1350 kg / castor set	A	185,-	15,-	200,-
BSS 30, hot-dip galvanized	A	473,-	127,-	600,-
Lid, galvanized	A	66,-	12,-	78,-
Castor Set, polyamide, Load capacity 1350 kg / castor set	A	185,-	15,-	200,-
BSS 55, painted	A	505,-	127,-	632,-
Lid, galvanized	A	94,-	15,-	109,-
Castor Set, polyamide, Load capacity 1350 kg / castor set	A	185,-	15,-	200,-
BSS 55, hot-dip galvanized	A	626,-	127,-	753,-
Lid, galvanized	A	94,-	15,-	109,-

Prices in EUR, valid EXW DE-46354 Südlohn, DE-38820 Halberstadt, unpacked
Freight charges valid CPT Finland, islands and oversea territories excluded

Price List 0424 en-FI

Forklift Truck Attachments



Swarf Stacking Tipper Type BSS	Category	Price	Freight charges	Price including freight charges
Castor Set, polyamide, Load capacity 1350 kg / castor set	A	185,-	15,-	200,-
BSS 70, painted	A	542,-	127,-	669,-
Lid, galvanized	A	117,-	15,-	132,-
Castor Set, polyamide, Load capacity 1350 kg / castor set	A	185,-	15,-	200,-
BSS 70, hot-dip galvanized	A	684,-	179,-	863,-
Lid, galvanized	A	117,-	15,-	132,-
Castor Set, polyamide, Load capacity 1350 kg / castor set	A	185,-	15,-	200,-
BSS 90, painted	A	576,-	179,-	755,-
Lid, galvanized	A	160,-	18,-	178,-
Castor Set, polyamide, Load capacity 1350 kg / castor set	A	185,-	15,-	200,-
BSS 90, hot-dip galvanized	A	739,-	179,-	918,-
Lid, galvanized	A	160,-	18,-	178,-
Castor Set, polyamide, Load capacity 1350 kg / castor set	A	185,-	15,-	200,-
BSS 150, painted	A	876,-	179,-	1055,-
Lid, galvanized	A	215,-	21,-	236,-
Castor Set, polyamide, Load capacity 1350 kg / castor set	A	185,-	15,-	200,-
BSS 150, hot-dip galvanized	A	1126,-	179,-	1305,-
Lid, galvanized	A	215,-	21,-	236,-
Castor Set, polyamide, Load capacity 1350 kg / castor set	A	185,-	15,-	200,-
BSS 200, painted	A	989,-	179,-	1168,-
Lid, galvanized	A	274,-	26,-	300,-
Castor Set, polyamide, Load capacity 1350 kg / castor set	A	185,-	15,-	200,-
BSS 200, hot-dip galvanized	A	1324,-	258,-	1582,-
Lid, galvanized	A	274,-	26,-	300,-
Castor Set, polyamide, Load capacity 1350 kg / castor set	A	185,-	15,-	200,-
Traverse For Stacking Tipper Type BST	Category	Price	Freight charges	Price including freight charges
BST 30, painted	A	320,-	127,-	447,-
Traverse Stand Type TS, hot-dip galvanized	A	75,-	8,-	83,-
BST 55, painted	A	342,-	127,-	469,-
Traverse Stand Type TS, hot-dip galvanized	A	75,-	9,-	84,-
BST 70, painted	A	342,-	127,-	469,-
Traverse Stand Type TS, hot-dip galvanized	A	75,-	9,-	84,-
BST 90, painted	A	355,-	127,-	482,-
Traverse Stand Type TS, hot-dip galvanized	A	75,-	9,-	84,-
BST 150, painted	A	532,-	179,-	711,-
Traverse Stand Type TS, hot-dip galvanized	A	75,-	9,-	84,-
BST 200, painted	A	591,-	179,-	770,-
Traverse Stand Type TS, hot-dip galvanized	A	75,-	9,-	84,-
Traverse For Stacking Tipper Type BST-H	Category	Price	Freight charges	Price including freight charges
BST-H 30, painted	A	2055,-	179,-	2234,-
Traverse Stand Type TS, hot-dip galvanized	A	75,-	8,-	83,-
BST-H 55, painted	A	2180,-	179,-	2359,-
Traverse Stand Type TS, hot-dip galvanized	A	75,-	8,-	83,-

Prices in EUR, valid EXW DE-46354 Südlohn, DE-38820 Halberstadt, unpacked
Freight charges valid CPT Finland, islands and oversea territories excluded

Price List 0424 en-FI

Forklift Truck Attachments



Traverse For Stacking Tipper Type BST-H	Category	Price	Freight charges	Price including freight charges
BST-H 70, painted	A	2180,-	179,-	2359,-
Traverse Stand Type TS, hot-dip galvanized	A	75,-	8,-	83,-
BST-H 90, painted	A	2293,-	179,-	2472,-
Traverse Stand Type TS, hot-dip galvanized	A	75,-	8,-	83,-
BST-H 150, painted	A	2608,-	258,-	2866,-
Traverse Stand Type TS, hot-dip galvanized	A	75,-	9,-	84,-
BST-H 200, painted	A	2871,-	258,-	3129,-
Traverse Stand Type TS, hot-dip galvanized	A	75,-	9,-	84,-

Traverse For Stacking Tipper Type BST-U	Category	Price	Freight charges	Price including freight charges
BST-U 30, painted	A	923,-	179,-	1102,-
BST-U 55, painted	A	985,-	179,-	1164,-
BST-U 70, painted	A	985,-	179,-	1164,-
BST-U 90, painted	A	1011,-	179,-	1190,-

Filling Hopper Type BTM	Category	Price	Freight charges	Price including freight charges
BTM, painted	A	2377,-	331,-	2708,-

Filling Hopper Type BTS	Category	Price	Freight charges	Price including freight charges
BTS, painted	A	2035,-	331,-	2366,-

Bin Type C	Category	Price	Freight charges	Price including freight charges
C 30, painted	A	407,-	127,-	534,-
C 30, hot-dip galvanized	A	447,-	127,-	574,-
C 80, painted	A	586,-	127,-	713,-
C 80, hot-dip galvanized	A	630,-	127,-	757,-

Swarf Bin Type CS	Category	Price	Freight charges	Price including freight charges
CS 30, painted	A	469,-	127,-	596,-
CS 30, hot-dip galvanized	A	514,-	127,-	641,-
CS 80, painted	A	692,-	127,-	819,-
CS 80, hot-dip galvanized	A	740,-	179,-	919,-

Shovel Type DGS	Category	Price	Freight charges	Price including freight charges
DGS 500, painted	A	2565,-	258,-	2823,-
DGS 700, painted	A	2594,-	258,-	2852,-
DGS 950, painted	A	2630,-	331,-	2961,-
DGS 1200, painted	A	2825,-	331,-	3156,-

Tilting Container Type DUO	Category	Price	Freight charges	Price including freight charges
DUO, painted	A	1803,-	258,-	2061,-
Lid, galvanized	A	228,-	27,-	255,-
Castor Set, polyamide, Load capacity 1350 kg / castor set	A	185,-	15,-	200,-
Set of 5 self-adhesive stickers with symbols for: glass, paper, plastic, metal, residual waste	A	28,-	on request	on request

Prices in EUR, valid EXW DE-46354 Südlohn, DE-38820 Halberstadt, unpacked
 Freight charges valid CPT Finland, islands and oversea territories excluded

Price List 0424 en-FI

Forklift Truck Attachments



Tilting Container Type EXPO®	Category	Price	Freight charges	Price including freight charges
EXPO 150, painted	A	587,-	127,-	714,-
Lid, galvanized	A	168,-	18,-	186,-
Castor Set, polyamide, Load capacity 1050 kg / castor set	A	150,-	15,-	165,-
Skip Body Welded Oil and Watertight	A	75,-	0,-	75,-
EXPO 150, hot-dip galvanized	A	692,-	127,-	819,-
Lid, galvanized	A	168,-	18,-	186,-
Castor Set, polyamide, Load capacity 1050 kg / castor set	A	150,-	15,-	165,-
Skip Body Welded Oil and Watertight	A	75,-	0,-	75,-
EXPO 225, painted	A	639,-	127,-	766,-
Lid, galvanized	A	168,-	18,-	186,-
Castor Set, polyamide, Load capacity 1050 kg / castor set	A	150,-	15,-	165,-
Skip Body Welded Oil and Watertight	A	75,-	0,-	75,-
EXPO 225, hot-dip galvanized	A	758,-	127,-	885,-
Lid, galvanized	A	168,-	18,-	186,-
Castor Set, polyamide, Load capacity 1050 kg / castor set	A	150,-	15,-	165,-
Skip Body Welded Oil and Watertight	A	75,-	0,-	75,-
EXPO 275, painted	A	667,-	127,-	794,-
Lid, galvanized	A	168,-	18,-	186,-
Castor Set, polyamide, Load capacity 1050 kg / castor set	A	150,-	15,-	165,-
Skip Body Welded Oil and Watertight	A	75,-	0,-	75,-
EXPO 275, hot-dip galvanized	A	798,-	127,-	925,-
Lid, galvanized	A	168,-	18,-	186,-
Castor Set, polyamide, Load capacity 1050 kg / castor set	A	150,-	15,-	165,-
Skip Body Welded Oil and Watertight	A	75,-	0,-	75,-
EXPO 300, painted	A	601,-	179,-	780,-
Lid, galvanized	A	168,-	18,-	186,-
Castor Set, polyamide, Load capacity 1350 kg / castor set	A	185,-	15,-	200,-
Skip Body Welded Oil and Watertight	A	75,-	0,-	75,-
EXPO 300, hot-dip galvanized	A	771,-	179,-	950,-
Lid, galvanized	A	168,-	18,-	186,-
Castor Set, polyamide, Load capacity 1350 kg / castor set	A	185,-	15,-	200,-
Skip Body Welded Oil and Watertight	A	75,-	0,-	75,-
EXPO 600, painted	A	708,-	179,-	887,-
Lid, galvanized	A	189,-	22,-	211,-
Castor Set, polyamide, Load capacity 1350 kg / castor set	A	185,-	15,-	200,-
Skip Body Welded Oil and Watertight	A	75,-	0,-	75,-
EXPO 600, hot-dip galvanized	A	849,-	179,-	1028,-
Lid, galvanized	A	189,-	22,-	211,-
Castor Set, polyamide, Load capacity 1350 kg / castor set	A	185,-	15,-	200,-
Skip Body Welded Oil and Watertight	A	75,-	0,-	75,-
EXPO 900, painted	A	790,-	179,-	969,-
Lid, galvanized	A	215,-	27,-	242,-
Castor Set, polyamide, Load capacity 1350 kg / castor set	A	185,-	15,-	200,-
Skip Body Welded Oil and Watertight	A	75,-	0,-	75,-
EXPO 900, hot-dip galvanized	A	931,-	179,-	1110,-
Lid, galvanized	A	215,-	27,-	242,-

Prices in EUR, valid EXW DE-46354 Südlohn, DE-38820 Halberstadt, unpacked
Freight charges valid CPT Finland, islands and oversea territories excluded

Price List 0424 en-FI

Forklift Truck Attachments



Tilting Container Type EXPO®	Category	Price	Freight charges	Price including freight charges
Castor Set, polyamide, Load capacity 1350 kg / castor set	A	185,-	15,-	200,-
Skip Body Welded Oil and Watertight	A	75,-	0,-	75,-
EXPO 1200, painted	A	855,-	258,-	1113,-
Lid, galvanized	A	215,-	26,-	241,-
Castor Set, polyamide, Load capacity 1350 kg / castor set	A	185,-	15,-	200,-
Skip Body Welded Oil and Watertight	A	116,-	0,-	116,-
EXPO 1200, hot-dip galvanized	A	1006,-	258,-	1264,-
Lid, galvanized	A	215,-	26,-	241,-
Castor Set, polyamide, Load capacity 1350 kg / castor set	A	185,-	15,-	200,-
Skip Body Welded Oil and Watertight	A	116,-	0,-	116,-
EXPO 1700, painted	A	1161,-	258,-	1419,-
Lid, galvanized	A	266,-	33,-	299,-
Castor Set, polyamide, Load capacity 1350 kg / castor set	A	185,-	15,-	200,-
Skip Body Welded Oil and Watertight	A	116,-	0,-	116,-
EXPO 1700, hot-dip galvanized	A	1386,-	258,-	1644,-
Lid, galvanized	A	266,-	33,-	299,-
Castor Set, polyamide, Load capacity 1350 kg / castor set	A	185,-	15,-	200,-
Skip Body Welded Oil and Watertight	A	116,-	0,-	116,-
EXPO 2100, painted	A	1280,-	258,-	1538,-
Lid, galvanized	A	347,-	36,-	383,-
Castor Set, polyamide, Load capacity 1350 kg / castor set	A	185,-	15,-	200,-
Skip Body Welded Oil and Watertight	A	116,-	0,-	116,-
EXPO 2100, hot-dip galvanized	A	1551,-	258,-	1809,-
Lid, galvanized	A	347,-	36,-	383,-
Castor Set, polyamide, Load capacity 1350 kg / castor set	A	185,-	15,-	200,-
Skip Body Welded Oil and Watertight	A	116,-	0,-	116,-
Swarf Tilting Container Type EXPO®-E	Category	Price	Freight charges	Price including freight charges
EXPO-E 150, painted	A	704,-	127,-	831,-
Lid, galvanized	A	168,-	18,-	186,-
Castor Set, polyamide, Load capacity 1050 kg / castor set	A	150,-	15,-	165,-
EXPO-E 150, hot-dip galvanized	A	808,-	127,-	935,-
Lid, galvanized	A	168,-	18,-	186,-
Castor Set, polyamide, Load capacity 1050 kg / castor set	A	150,-	15,-	165,-
EXPO-E 225, painted	A	755,-	127,-	882,-
Lid, galvanized	A	168,-	18,-	186,-
Castor Set, polyamide, Load capacity 1050 kg / castor set	A	150,-	15,-	165,-
EXPO-E 225, hot-dip galvanized	A	876,-	127,-	1003,-
Lid, galvanized	A	168,-	18,-	186,-
Castor Set, polyamide, Load capacity 1050 kg / castor set	A	150,-	15,-	165,-
EXPO-E 275, painted	A	784,-	127,-	911,-
Lid, galvanized	A	168,-	18,-	186,-
Castor Set, polyamide, Load capacity 1050 kg / castor set	A	150,-	15,-	165,-
EXPO-E 275, hot-dip galvanized	A	912,-	127,-	1039,-
Lid, galvanized	A	168,-	18,-	186,-
Castor Set, polyamide, Load capacity 1050 kg / castor set	A	150,-	15,-	165,-

Prices in EUR, valid EXW DE-46354 Südlohn, DE-38820 Halberstadt, unpacked
Freight charges valid CPT Finland, islands and oversea territories excluded

Price List 0424 en-FI

Forklift Truck Attachments



Swarf Tilting Container Type EXPO®-E	Category	Price	Freight charges	Price including freight charges
EXPO-E 300, painted	A	718,-	179,-	897,-
Lid, galvanized	A	168,-	18,-	186,-
Castor Set, polyamide, Load capacity 1350 kg / castor set	A	185,-	15,-	200,-
EXPO-E 300, hot-dip galvanized	A	887,-	179,-	1066,-
Lid, galvanized	A	168,-	18,-	186,-
Castor Set, polyamide, Load capacity 1350 kg / castor set	A	185,-	15,-	200,-
EXPO-E 600, painted	A	824,-	179,-	1003,-
Lid, galvanized	A	189,-	22,-	211,-
Castor Set, polyamide, Load capacity 1350 kg / castor set	A	185,-	15,-	200,-
EXPO-E 600, hot-dip galvanized	A	965,-	179,-	1144,-
Lid, galvanized	A	189,-	22,-	211,-
Castor Set, polyamide, Load capacity 1350 kg / castor set	A	185,-	15,-	200,-
EXPO-E 900, painted	A	906,-	179,-	1085,-
Lid, galvanized	A	215,-	27,-	242,-
Castor Set, polyamide, Load capacity 1350 kg / castor set	A	185,-	15,-	200,-
EXPO-E 900, hot-dip galvanized	A	1048,-	179,-	1227,-
Lid, galvanized	A	215,-	27,-	242,-
Castor Set, polyamide, Load capacity 1350 kg / castor set	A	185,-	15,-	200,-
EXPO-E 1200, painted	A	1012,-	258,-	1270,-
Lid, galvanized	A	215,-	26,-	241,-
Castor Set, polyamide, Load capacity 1350 kg / castor set	A	185,-	15,-	200,-
EXPO-E 1200, hot-dip galvanized	A	1163,-	258,-	1421,-
Lid, galvanized	A	215,-	26,-	241,-
Castor Set, polyamide, Load capacity 1350 kg / castor set	A	185,-	15,-	200,-
EXPO-E 1700, painted	A	1318,-	258,-	1576,-
Lid, galvanized	A	266,-	33,-	299,-
Castor Set, polyamide, Load capacity 1350 kg / castor set	A	185,-	15,-	200,-
EXPO-E 1700, hot-dip galvanized	A	1543,-	258,-	1801,-
Lid, galvanized	A	266,-	33,-	299,-
Castor Set, polyamide, Load capacity 1350 kg / castor set	A	185,-	15,-	200,-
EXPO-E 2100, painted	A	1437,-	258,-	1695,-
Lid, galvanized	A	347,-	36,-	383,-
Castor Set, polyamide, Load capacity 1350 kg / castor set	A	185,-	15,-	200,-
EXPO-E 2100, hot-dip galvanized	A	1708,-	258,-	1966,-
Lid, galvanized	A	347,-	36,-	383,-
Castor Set, polyamide, Load capacity 1350 kg / castor set	A	185,-	15,-	200,-

Container With Drop Away Base Type FB	Category	Price	Freight charges	Price including freight charges
FB 500, painted	A	781,-	179,-	960,-
Lid, galvanized	A	189,-	15,-	204,-
Castor Set, polyamide, Load capacity 1350 kg / castor set	A	185,-	15,-	200,-
Guiding Plates, galvanized	A	112,-	12,-	124,-
FB 500, hot-dip galvanized	A	960,-	179,-	1139,-
Lid, galvanized	A	189,-	15,-	204,-
Castor Set, polyamide, Load capacity 1350 kg / castor set	A	185,-	15,-	200,-
Guiding Plates, galvanized	A	112,-	12,-	124,-

Prices in EUR, valid EXW DE-46354 Südlohn, DE-38820 Halberstadt, unpacked
Freight charges valid CPT Finland, islands and oversea territories excluded

Price List 0424 en-FI

Forklift Truck Attachments



Container With Drop Away Base Type FB	Category	Price	Freight charges	Price including freight charges
FB 750, painted	A	850,-	179,-	1029,-
Lid, galvanized	A	189,-	15,-	204,-
Castor Set, polyamide, Load capacity 1350 kg / castor set	A	185,-	15,-	200,-
Guiding Plates, galvanized	A	112,-	12,-	124,-
FB 750, hot-dip galvanized	A	1038,-	179,-	1217,-
Lid, galvanized	A	189,-	15,-	204,-
Castor Set, polyamide, Load capacity 1350 kg / castor set	A	185,-	15,-	200,-
Guiding Plates, galvanized	A	112,-	12,-	124,-
FB 1000, painted	A	910,-	179,-	1089,-
Lid, galvanized	A	229,-	18,-	247,-
Castor Set, polyamide, Load capacity 1350 kg / castor set	A	185,-	15,-	200,-
Guiding Plates, galvanized	A	112,-	12,-	124,-
FB 1000, hot-dip galvanized	A	1117,-	179,-	1296,-
Lid, galvanized	A	229,-	18,-	247,-
Castor Set, polyamide, Load capacity 1350 kg / castor set	A	185,-	15,-	200,-
Guiding Plates, galvanized	A	112,-	12,-	124,-
FB 1500, painted	A	1067,-	258,-	1325,-
Lid, galvanized	A	339,-	21,-	360,-
Castor Set, polyamide, Load capacity 1350 kg / castor set	A	185,-	15,-	200,-
Guiding Plates, galvanized	A	112,-	12,-	124,-
FB 1500, hot-dip galvanized	A	1344,-	258,-	1602,-
Lid, galvanized	A	339,-	21,-	360,-
Castor Set, polyamide, Load capacity 1350 kg / castor set	A	185,-	15,-	200,-
Guiding Plates, galvanized	A	112,-	12,-	124,-
FB 2000, painted	A	1151,-	258,-	1409,-
Lid, galvanized	A	339,-	21,-	360,-
Castor Set, polyamide, Load capacity 1350 kg / castor set	A	185,-	15,-	200,-
Guiding Plates, galvanized	A	112,-	12,-	124,-
FB 2000, hot-dip galvanized	A	1460,-	258,-	1718,-
Lid, galvanized	A	339,-	21,-	360,-
Castor Set, polyamide, Load capacity 1350 kg / castor set	A	185,-	15,-	200,-
Guiding Plates, galvanized	A	112,-	12,-	124,-
Drum Tipper Type FD/L-HK	Category	Price	Freight charges	Price including freight charges
FD/L-HK, painted	B	2245,-	179,-	2424,-
FD/L-HK, hot-dip galvanized	B	2671,-	179,-	2850,-
Drum Tipper Type FD/L-K	Category	Price	Freight charges	Price including freight charges
FD/L-K, painted	B	2429,-	179,-	2608,-
FD/L-K, hot-dip galvanized	B	2864,-	179,-	3043,-
Drum Tipper Type FD-H	Category	Price	Freight charges	Price including freight charges
FD-H, painted	B	2505,-	127,-	2632,-
FD-H, hot-dip galvanized	B	2732,-	127,-	2859,-

Prices in EUR, valid EXW DE-46354 Südlohn, DE-38820 Halberstadt, unpacked
Freight charges valid CPT Finland, islands and oversea territories excluded

Price List 0424 en-FI

Forklift Truck Attachments



Drum Tipper Type FD-HK	Category	Price	Freight charges	Price including freight charges
FD-HK, painted	B	1929,-	127,-	2056,-
FD-HK, hot-dip galvanized	B	2161,-	127,-	2288,-
Drum Tipper Type FD-K	Category	Price	Freight charges	Price including freight charges
FD-K, painted	B	2114,-	127,-	2241,-
FD-K, hot-dip galvanized	B	2354,-	127,-	2481,-
Drum Tipper Type FD-SK	Category	Price	Freight charges	Price including freight charges
FD-SK, painted	B	1929,-	127,-	2056,-
FD-SK, hot-dip galvanized	B	2161,-	127,-	2288,-
Drum Jack Type FH	Category	Price	Freight charges	Price including freight charges
FH-I 120, painted	B	1589,-	127,-	1716,-
FH-I 120, hot-dip galvanized	B	1761,-	127,-	1888,-
FH-I 220, painted	B	1589,-	127,-	1716,-
FH-I 220, hot-dip galvanized	B	1789,-	127,-	1916,-
FH-II 120, painted	B	2320,-	127,-	2447,-
FH-II 120, hot-dip galvanized	B	2582,-	127,-	2709,-
FH-II 220, painted	B	2320,-	127,-	2447,-
FH-II 220, hot-dip galvanized	B	2636,-	127,-	2763,-
Drum Gripper Type FK	Category	Price	Freight charges	Price including freight charges
FK-I, painted	B	1208,-	127,-	1335,-
FK-I, hot-dip galvanized	B	1472,-	127,-	1599,-
FK-II, painted	B	1437,-	179,-	1616,-
FK-II, hot-dip galvanized	B	1818,-	179,-	1997,-
Drum Clamp Type FKL	Category	Price	Freight charges	Price including freight charges
FKL, painted	B	463,-	70,-	533,-
Drum Tipper Type FLEX-HK	Category	Price	Freight charges	Price including freight charges
FLEX-HK, painted	B	2090,-	127,-	2217,-
Shelf Drum Pallet RP, galvanized	B	140,-	70,-	210,-
FLEX-HK, hot-dip galvanized	B	2258,-	127,-	2385,-
Shelf Drum Pallet RP, galvanized	B	140,-	70,-	210,-
Drum Tipper Type FLEX-K	Category	Price	Freight charges	Price including freight charges
FLEX-K, painted	B	2283,-	127,-	2410,-
Shelf Drum Pallet RP, galvanized	B	140,-	70,-	210,-
FLEX-K, hot-dip galvanized	B	2447,-	127,-	2574,-
Shelf Drum Pallet RP, galvanized	B	140,-	70,-	210,-
Drum Traverse Type FT/M	Category	Price	Freight charges	Price including freight charges
FT/M, galvanized	B	305,-	70,-	375,-

Prices in EUR, valid EXW DE-46354 Südlohn, DE-38820 Halberstadt, unpacked
Freight charges valid CPT Finland, islands and oversea territories excluded

Price List 0424 en-FI

Forklift Truck Attachments



Drum Traverse Type FT/MK	Category	Price	Freight charges	Price including freight charges
FT/MK, galvanized	B	349,-	70,-	419,-
Drum Turner Type FW	Category	Price	Freight charges	Price including freight charges
FW-I, painted	B	1342,-	179,-	1521,-
FW-I, hot-dip galvanized	B	1742,-	179,-	1921,-
FW-II, painted	B	1879,-	179,-	2058,-
FW-II, hot-dip galvanized	B	2447,-	179,-	2626,-
Drum Turning Claw Type FWZ	Category	Price	Freight charges	Price including freight charges
FWZ-60, painted	B	1309,-	127,-	1436,-
FWZ-60, hot-dip galvanized	B	1289,-	127,-	1416,-
FWZ-200, painted	B	1349,-	127,-	1476,-
FWZ-200, hot-dip galvanized	B	1329,-	127,-	1456,-
Fork Extensions Type GG	Category	Price	Freight charges	Price including freight charges
GG 80/40 (1600 mm long), painted	A	522,-	127,-	649,-
GG 80/40 (1800 mm long), painted	A	550,-	127,-	677,-
GG 80/40 (2000 mm long), painted	A	580,-	127,-	707,-
GG 100/40 (1600 mm long), painted	A	522,-	127,-	649,-
GG 100/40 (1800 mm long), painted	A	550,-	127,-	677,-
GG 100/40 (2000 mm long), painted	A	580,-	127,-	707,-
GG 100/45 (1600 mm long), painted	A	522,-	127,-	649,-
GG 100/45 (1800 mm long), painted	A	550,-	127,-	677,-
GG 100/45 (2000 mm long), painted	A	580,-	127,-	707,-
GG 100/50 (1600 mm long), painted	A	522,-	127,-	649,-
GG 100/50 (1800 mm long), painted	A	550,-	127,-	677,-
GG 100/50 (2000 mm long), painted	A	580,-	179,-	759,-
GG 120/40 (1600 mm long), painted	A	550,-	127,-	677,-
GG 120/40 (1800 mm long), painted	A	580,-	179,-	759,-
GG 120/40 (2000 mm long), painted	A	623,-	179,-	802,-
GG 120/50 (1600 mm long), painted	A	550,-	127,-	677,-
GG 120/50 (1800 mm long), painted	A	580,-	179,-	759,-
GG 120/50 (2000 mm long), painted	A	623,-	179,-	802,-
GG 125/45 (1600 mm long), painted	A	550,-	127,-	677,-
GG 125/45 (1800 mm long), painted	A	580,-	179,-	759,-
GG 125/45 (2000 mm long), painted	A	623,-	179,-	802,-
GG 125/50 (1600 mm long), painted	A	550,-	127,-	677,-
GG 125/50 (1800 mm long), painted	A	580,-	179,-	759,-
GG 125/50 (2000 mm long), painted	A	623,-	179,-	802,-
GG 150/50 (1600 mm long), painted	A	612,-	179,-	791,-
GG 150/50 (1800 mm long), painted	A	657,-	179,-	836,-
GG 150/50 (2000 mm long), painted	A	688,-	179,-	867,-
GG 150/70 (1600 mm long), painted	A	612,-	179,-	791,-
GG 150/70 (1800 mm long), painted	A	657,-	179,-	836,-
GG 150/70 (2000 mm long), painted	A	688,-	179,-	867,-

Prices in EUR, valid EXW DE-46354 Südlohn, DE-38820 Halberstadt, unpacked
 Freight charges valid CPT Finland, islands and oversea territories excluded

Price List 0424 en-FI

Forklift Truck Attachments



Fork Extensions Type GO	Category	Price	Freight charges	Price including freight charges
GO 80/40 (1600 mm long), painted	A	376,-	127,-	503,-
GO 80/40 (1800 mm long), painted	A	382,-	127,-	509,-
GO 80/40 (2000 mm long), painted	A	397,-	127,-	524,-
GO 100/40 (1600 mm long), painted	A	376,-	127,-	503,-
GO 100/40 (1800 mm long), painted	A	382,-	127,-	509,-
GO 100/40 (2000 mm long), painted	A	397,-	127,-	524,-
GO 100/45 (1600 mm long), painted	A	376,-	127,-	503,-
GO 100/45 (1800 mm long), painted	A	382,-	127,-	509,-
GO 100/45 (2000 mm long), painted	A	397,-	127,-	524,-
GO 100/50 (1600 mm long), painted	A	376,-	127,-	503,-
GO 100/50 (1800 mm long), painted	A	382,-	127,-	509,-
GO 100/50 (2000 mm long), painted	A	397,-	127,-	524,-
GO 120/40 (1600 mm long), painted	A	382,-	127,-	509,-
GO 120/40 (1800 mm long), painted	A	403,-	127,-	530,-
GO 120/40 (2000 mm long), painted	A	420,-	127,-	547,-
GO 120/50 (1600 mm long), painted	A	382,-	127,-	509,-
GO 120/50 (1800 mm long), painted	A	403,-	127,-	530,-
GO 120/50 (2000 mm long), painted	A	420,-	127,-	547,-
GO 125/45 (1600 mm long), painted	A	382,-	127,-	509,-
GO 125/45 (1800 mm long), painted	A	403,-	127,-	530,-
GO 125/45 (2000 mm long), painted	A	420,-	127,-	547,-
GO 125/50 (1600 mm long), painted	A	382,-	127,-	509,-
GO 125/50 (1800 mm long), painted	A	403,-	127,-	530,-
GO 125/50 (2000 mm long), painted	A	420,-	127,-	547,-
GO 150/50 (1600 mm long), painted	A	458,-	127,-	585,-
GO 150/50 (1800 mm long), painted	A	498,-	127,-	625,-
GO 150/50 (2000 mm long), painted	A	536,-	127,-	663,-
GO 150/70 (1600 mm long), painted	A	458,-	127,-	585,-
GO 150/70 (1800 mm long), painted	A	498,-	127,-	625,-
GO 150/70 (2000 mm long), painted	A	536,-	127,-	663,-

Tilting Container Type GU	Category	Price	Freight charges	Price including freight charges
GU 300, painted	A	632,-	179,-	811,-
Lid, galvanized	A	94,-	18,-	112,-
Castor Set, polyamide, Load capacity 1350 kg / castor set	A	185,-	15,-	200,-
Skip Body Welded Oil and Watertight	A	75,-	0,-	75,-
Crane lifting eyes for use with a crane	A	102,-	8,-	110,-
Support legs, 100 mm ground leeway	A	67,-	8,-	75,-
GU 300, hot-dip galvanized	A	836,-	179,-	1015,-
Lid, galvanized	A	94,-	18,-	112,-
Castor Set, polyamide, Load capacity 1350 kg / castor set	A	185,-	15,-	200,-
Skip Body Welded Oil and Watertight	A	75,-	0,-	75,-
Crane lifting eyes for use with a crane	A	102,-	8,-	110,-
Support legs, 100 mm ground leeway	A	67,-	8,-	75,-
GU 500, painted	A	860,-	179,-	1039,-
Lid, galvanized	A	94,-	18,-	112,-

Prices in EUR, valid EXW DE-46354 Südlohn, DE-38820 Halberstadt, unpacked
 Freight charges valid CPT Finland, islands and oversea territories excluded

Price List 0424 en-FI

Forklift Truck Attachments



Tilting Container Type GU	Category	Price	Freight charges	Price including freight charges
Castor Set, polyamide, Load capacity 1350 kg / castor set	A	185,-	15,-	200,-
Skip Body Welded Oil and Watertight	A	75,-	0,-	75,-
Adjustable dumping brake	A	448,-	10,-	458,-
Crane lifting eyes for use with a crane	A	102,-	8,-	110,-
Support legs, 100 mm ground leeway	A	67,-	8,-	75,-
GU 500, hot-dip galvanized	A	1120,-	179,-	1299,-
Lid, galvanized	A	94,-	18,-	112,-
Castor Set, polyamide, Load capacity 1350 kg / castor set	A	185,-	15,-	200,-
Skip Body Welded Oil and Watertight	A	75,-	0,-	75,-
Adjustable dumping brake	A	448,-	10,-	458,-
Crane lifting eyes for use with a crane	A	102,-	8,-	110,-
Support legs, 100 mm ground leeway	A	67,-	8,-	75,-
GU 750, painted	A	1016,-	179,-	1195,-
Lid, galvanized	A	134,-	26,-	160,-
Castor Set, polyamide, Load capacity 1350 kg / castor set	A	185,-	15,-	200,-
Skip Body Welded Oil and Watertight	A	75,-	0,-	75,-
Adjustable dumping brake	A	448,-	10,-	458,-
Crane lifting eyes for use with a crane	A	102,-	8,-	110,-
Support legs, 100 mm ground leeway	A	67,-	8,-	75,-
GU 750, hot-dip galvanized	A	1324,-	179,-	1503,-
Lid, galvanized	A	134,-	26,-	160,-
Castor Set, polyamide, Load capacity 1350 kg / castor set	A	185,-	15,-	200,-
Skip Body Welded Oil and Watertight	A	75,-	0,-	75,-
Adjustable dumping brake	A	448,-	10,-	458,-
Crane lifting eyes for use with a crane	A	102,-	8,-	110,-
Support legs, 100 mm ground leeway	A	67,-	8,-	75,-
GU 1000, painted	A	1123,-	179,-	1302,-
Lid, galvanized	A	185,-	27,-	212,-
Castor Set, polyamide, Load capacity 1350 kg / castor set	A	185,-	15,-	200,-
Skip Body Welded Oil and Watertight	A	116,-	0,-	116,-
Adjustable dumping brake	A	448,-	10,-	458,-
Crane lifting eyes for use with a crane	A	102,-	8,-	110,-
Support legs, 100 mm ground leeway	A	67,-	8,-	75,-
GU 1000, hot-dip galvanized	A	1591,-	258,-	1849,-
Lid, galvanized	A	185,-	27,-	212,-
Castor Set, polyamide, Load capacity 1350 kg / castor set	A	185,-	15,-	200,-
Skip Body Welded Oil and Watertight	A	116,-	0,-	116,-
Adjustable dumping brake	A	448,-	10,-	458,-
Crane lifting eyes for use with a crane	A	102,-	8,-	110,-
Support legs, 100 mm ground leeway	A	67,-	8,-	75,-
GU 1500, painted	A	1311,-	258,-	1569,-
Lid, galvanized	A	185,-	27,-	212,-
Castor Set, polyamide, Load capacity 1350 kg / castor set	A	185,-	15,-	200,-
Skip Body Welded Oil and Watertight	A	116,-	0,-	116,-
Adjustable dumping brake	A	448,-	10,-	458,-
Crane lifting eyes for use with a crane	A	102,-	8,-	110,-

Prices in EUR, valid EXW DE-46354 Südlohn, DE-38820 Halberstadt, unpacked
Freight charges valid CPT Finland, islands and oversea territories excluded

Price List 0424 en-FI

Forklift Truck Attachments



Tilting Container Type GU	Category	Price	Freight charges	Price including freight charges
Support legs, 100 mm ground leeway	A	67,-	8,-	75,-
GU 1500, hot-dip galvanized	A	1709,-	258,-	1967,-
Lid, galvanized	A	185,-	27,-	212,-
Castor Set, polyamide, Load capacity 1350 kg / castor set	A	185,-	15,-	200,-
Skip Body Welded Oil and Watertight	A	116,-	0,-	116,-
Adjustable dumping brake	A	448,-	10,-	458,-
Crane lifting eyes for use with a crane	A	102,-	8,-	110,-
Support legs, 100 mm ground leeway	A	67,-	8,-	75,-
GU 2000, painted	A	1618,-	258,-	1876,-
Lid, galvanized	A	218,-	32,-	250,-
Castor Set, polyamide, Load capacity 1350 kg / castor set	A	185,-	15,-	200,-
Skip Body Welded Oil and Watertight	A	116,-	0,-	116,-
Adjustable dumping brake	A	448,-	10,-	458,-
Crane lifting eyes for use with a crane	A	102,-	8,-	110,-
Support legs, 100 mm ground leeway	A	67,-	8,-	75,-
GU 2000, hot-dip galvanized	A	2125,-	258,-	2383,-
Lid, galvanized	A	218,-	32,-	250,-
Castor Set, polyamide, Load capacity 1350 kg / castor set	A	185,-	15,-	200,-
Skip Body Welded Oil and Watertight	A	116,-	0,-	116,-
Adjustable dumping brake	A	448,-	10,-	458,-
Crane lifting eyes for use with a crane	A	102,-	8,-	110,-
Support legs, 100 mm ground leeway	A	67,-	8,-	75,-
Swarf Tilting Container Type GU-E	Category	Price	Freight charges	Price including freight charges
GU-E 300, painted	A	748,-	179,-	927,-
Lid, galvanized	A	94,-	18,-	112,-
Castor Set, polyamide, Load capacity 1350 kg / castor set	A	185,-	15,-	200,-
Crane lifting eyes for use with a crane	A	102,-	8,-	110,-
Support legs, 100 mm ground leeway	A	67,-	8,-	75,-
GU-E 300, hot-dip galvanized	A	952,-	179,-	1131,-
Lid, galvanized	A	94,-	18,-	112,-
Castor Set, polyamide, Load capacity 1350 kg / castor set	A	185,-	15,-	200,-
Crane lifting eyes for use with a crane	A	102,-	8,-	110,-
Support legs, 100 mm ground leeway	A	67,-	8,-	75,-
GU-E 500, painted	A	977,-	179,-	1156,-
Lid, galvanized	A	94,-	18,-	112,-
Castor Set, polyamide, Load capacity 1350 kg / castor set	A	185,-	15,-	200,-
Adjustable dumping brake	A	448,-	10,-	458,-
Crane lifting eyes for use with a crane	A	102,-	8,-	110,-
Support legs, 100 mm ground leeway	A	67,-	8,-	75,-
GU-E 500, hot-dip galvanized	A	1236,-	179,-	1415,-
Lid, galvanized	A	94,-	18,-	112,-
Castor Set, polyamide, Load capacity 1350 kg / castor set	A	185,-	15,-	200,-
Adjustable dumping brake	A	448,-	10,-	458,-
Crane lifting eyes for use with a crane	A	102,-	8,-	110,-
Support legs, 100 mm ground leeway	A	67,-	8,-	75,-

Prices in EUR, valid EXW DE-46354 Südlohn, DE-38820 Halberstadt, unpacked
Freight charges valid CPT Finland, islands and oversea territories excluded

Price List 0424 en-FI

Forklift Truck Attachments



Swarf Tilting Container Type GU-E	Category	Price	Freight charges	Price including freight charges
GU-E 750, painted	A	1132,-	179,-	1311,-
Lid, galvanized	A	134,-	26,-	160,-
Castor Set, polyamide, Load capacity 1350 kg / castor set	A	185,-	15,-	200,-
Adjustable dumping brake	A	448,-	10,-	458,-
Crane lifting eyes for use with a crane	A	102,-	8,-	110,-
Support legs, 100 mm ground leeway	A	67,-	8,-	75,-
GU-E 750, hot-dip galvanized	A	1440,-	179,-	1619,-
Lid, galvanized	A	134,-	26,-	160,-
Castor Set, polyamide, Load capacity 1350 kg / castor set	A	185,-	15,-	200,-
Adjustable dumping brake	A	448,-	10,-	458,-
Crane lifting eyes for use with a crane	A	102,-	8,-	110,-
Support legs, 100 mm ground leeway	A	67,-	8,-	75,-
GU-E 1000, painted	A	1280,-	179,-	1459,-
Lid, galvanized	A	185,-	27,-	212,-
Castor Set, polyamide, Load capacity 1350 kg / castor set	A	185,-	15,-	200,-
Adjustable dumping brake	A	448,-	10,-	458,-
Crane lifting eyes for use with a crane	A	102,-	8,-	110,-
Support legs, 100 mm ground leeway	A	67,-	8,-	75,-
GU-E 1000, hot-dip galvanized	A	1748,-	258,-	2006,-
Lid, galvanized	A	185,-	27,-	212,-
Castor Set, polyamide, Load capacity 1350 kg / castor set	A	185,-	15,-	200,-
Adjustable dumping brake	A	448,-	10,-	458,-
Crane lifting eyes for use with a crane	A	102,-	8,-	110,-
Support legs, 100 mm ground leeway	A	67,-	8,-	75,-
GU-E 1500, painted	A	1468,-	258,-	1726,-
Lid, galvanized	A	185,-	27,-	212,-
Castor Set, polyamide, Load capacity 1350 kg / castor set	A	185,-	15,-	200,-
Adjustable dumping brake	A	448,-	10,-	458,-
Crane lifting eyes for use with a crane	A	102,-	8,-	110,-
Support legs, 100 mm ground leeway	A	67,-	8,-	75,-
GU-E 1500, hot-dip galvanized	A	1866,-	258,-	2124,-
Lid, galvanized	A	185,-	27,-	212,-
Castor Set, polyamide, Load capacity 1350 kg / castor set	A	185,-	15,-	200,-
Adjustable dumping brake	A	448,-	10,-	458,-
Crane lifting eyes for use with a crane	A	102,-	8,-	110,-
Support legs, 100 mm ground leeway	A	67,-	8,-	75,-
GU-E 2000, painted	A	1775,-	258,-	2033,-
Lid, galvanized	A	218,-	32,-	250,-
Castor Set, polyamide, Load capacity 1350 kg / castor set	A	185,-	15,-	200,-
Adjustable dumping brake	A	448,-	10,-	458,-
Crane lifting eyes for use with a crane	A	102,-	8,-	110,-
Support legs, 100 mm ground leeway	A	67,-	8,-	75,-
GU-E 2000, hot-dip galvanized	A	2282,-	258,-	2540,-
Lid, galvanized	A	218,-	32,-	250,-
Castor Set, polyamide, Load capacity 1350 kg / castor set	A	185,-	15,-	200,-
Adjustable dumping brake	A	448,-	10,-	458,-

Prices in EUR, valid EXW DE-46354 Südlohn, DE-38820 Halberstadt, unpacked
Freight charges valid CPT Finland, islands and oversea territories excluded

Price List 0424 en-FI

Forklift Truck Attachments



Swarf Tilting Container Type GU-E	Category	Price	Freight charges	Price including freight charges
Crane lifting eyes for use with a crane	A	102,-	8,-	110,-
Support legs, 100 mm ground leeway	A	67,-	8,-	75,-

Tilting Container Type GU-RZ	Category	Price	Freight charges	Price including freight charges
GU-RZ 30, painted	A	675,-	179,-	854,-
Lid, galvanized	A	91,-	18,-	109,-
GU-RZ 30, hot-dip galvanized	A	752,-	179,-	931,-
Lid, galvanized	A	91,-	18,-	109,-
GU-RZ 55, painted	A	899,-	179,-	1078,-
Lid, galvanized	A	91,-	18,-	109,-
GU-RZ 55, hot-dip galvanized	A	991,-	179,-	1170,-
Lid, galvanized	A	91,-	18,-	109,-

Fork Protection Type GZS	Category	Price	Freight charges	Price including freight charges
GZS, painted	F	172,-	70,-	242,-

Container With Drop Away Base Type HKB	Category	Price	Freight charges	Price including freight charges
HKB 60, painted	A	1041,-	179,-	1220,-
HKB 60, hot-dip galvanized	A	1220,-	179,-	1399,-
HKB 70, painted	A	1101,-	179,-	1280,-
HKB 70, hot-dip galvanized	A	1295,-	179,-	1474,-
HKB 90, painted	A	1369,-	179,-	1548,-
HKB 90, hot-dip galvanized	A	1636,-	258,-	1894,-

Shovel Type HVR	Category	Price	Freight charges	Price including freight charges
HVR 50, painted	A	3278,-	258,-	3536,-
HVR 75, painted	A	3841,-	331,-	4172,-
HVR 80 L, painted	A	3956,-	331,-	4287,-
HVR 100, painted	A	4862,-	461,-	5323,-
HVR 150, painted	A	6214,-	461,-	6675,-

Kippomat Type KG-A	Category	Price	Freight charges	Price including freight charges
KG-A, hot-dip galvanized	A	3109,-	258,-	3367,-

Kippomat Type KG-B	Category	Price	Freight charges	Price including freight charges
KG-B, hot-dip galvanized	A	3030,-	258,-	3288,-

Kippomat Type KG-C	Category	Price	Freight charges	Price including freight charges
KG-C, hot-dip galvanized	A	2010,-	179,-	2189,-

Tipping Skip Type KK	Category	Price	Freight charges	Price including freight charges
KK 250, painted	E	467,-	127,-	594,-
Lid, galvanized	E	131,-	15,-	146,-
Castor Set, polyamide, Load capacity 1050 kg / castor set	A	131,-	15,-	146,-

Prices in EUR, valid EXW DE-46354 Südlohn, DE-38820 Halberstadt, unpacked
 Freight charges valid CPT Finland, islands and oversea territories excluded

Price List 0424 en-FI

Forklift Truck Attachments



Tipping Skip Type KK	Category	Price	Freight charges	Price including freight charges
Castor Set, solid rubber, Load capacity 615 kg / castor set	E	99,-	15,-	114,-
KK 250, hot-dip galvanized	E	515,-	127,-	642,-
Lid, galvanized	E	131,-	15,-	146,-
Castor Set, polyamide, Load capacity 1050 kg / castor set	A	131,-	15,-	146,-
Castor Set, solid rubber, Load capacity 615 kg / castor set	E	99,-	15,-	114,-
KK 400, painted	E	532,-	127,-	659,-
Lid, galvanized	E	150,-	16,-	166,-
Castor Set, polyamide, Load capacity 1050 kg / castor set	A	131,-	15,-	146,-
Castor Set, solid rubber, Load capacity 615 kg / castor set	E	99,-	15,-	114,-
KK 400, hot-dip galvanized	E	579,-	127,-	706,-
Lid, galvanized	E	150,-	16,-	166,-
Castor Set, polyamide, Load capacity 1050 kg / castor set	A	131,-	15,-	146,-
Castor Set, solid rubber, Load capacity 615 kg / castor set	E	99,-	15,-	114,-
KK 600, painted	E	738,-	179,-	917,-
Lid, galvanized	E	167,-	20,-	187,-
Castor Set, polyamide, Load capacity 1050 kg / castor set	A	131,-	15,-	146,-
Castor Set, solid rubber, Load capacity 615 kg / castor set	E	99,-	15,-	114,-
KK 600, hot-dip galvanized	E	835,-	179,-	1014,-
Castor Set, solid rubber, Load capacity 615 kg / castor set	E	99,-	15,-	114,-
Lid, galvanized	E	167,-	20,-	187,-
Castor Set, polyamide, Load capacity 1050 kg / castor set	A	131,-	15,-	146,-
KK 800, painted	E	795,-	179,-	974,-
Lid, galvanized	E	174,-	21,-	195,-
Castor Set, polyamide, Load capacity 1050 kg / castor set	A	131,-	15,-	146,-
Castor Set, solid rubber, Load capacity 615 kg / castor set	E	99,-	15,-	114,-
KK 800, hot-dip galvanized	E	898,-	179,-	1077,-
Lid, galvanized	E	174,-	21,-	195,-
Castor Set, polyamide, Load capacity 1050 kg / castor set	A	131,-	15,-	146,-
Castor Set, solid rubber, Load capacity 615 kg / castor set	E	99,-	15,-	114,-
KK 1000, painted	E	851,-	179,-	1030,-
Lid, galvanized	E	186,-	22,-	208,-
Castor Set, polyamide, Load capacity 1050 kg / castor set	A	131,-	15,-	146,-
Castor Set, solid rubber, Load capacity 615 kg / castor set	E	99,-	15,-	114,-
KK 1000, hot-dip galvanized	E	979,-	179,-	1158,-
Lid, galvanized	E	186,-	22,-	208,-
Castor Set, polyamide, Load capacity 1050 kg / castor set	A	131,-	15,-	146,-
Castor Set, solid rubber, Load capacity 615 kg / castor set	E	99,-	15,-	114,-
Kippomat Type KM	Category	Price	Freight charges	Price including freight charges
KM, hot-dip galvanized	A	3109,-	179,-	3288,-
Tipping Skip Type KN	Category	Price	Freight charges	Price including freight charges
KN 250, painted	E	467,-	127,-	594,-
Lid, galvanized	E	131,-	15,-	146,-
Castor Set, polyamide, Load capacity 1050 kg / castor set	A	131,-	15,-	146,-

Prices in EUR, valid EXW DE-46354 Südlohn, DE-38820 Halberstadt, unpacked
Freight charges valid CPT Finland, islands and oversea territories excluded

Price List 0424 en-FI

Forklift Truck Attachments



Tipping Skip Type KN	Category	Price	Freight charges	Price including freight charges
Castor Set, solid rubber, Load capacity 615 kg / castor set	E	99,-	15,-	114,-
KN 250, hot-dip galvanized	E	515,-	127,-	642,-
Lid, galvanized	E	131,-	15,-	146,-
Castor Set, polyamide, Load capacity 1050 kg / castor set	A	131,-	15,-	146,-
Castor Set, solid rubber, Load capacity 615 kg / castor set	E	99,-	15,-	114,-
KN 400, painted	E	532,-	127,-	659,-
Lid, galvanized	E	150,-	16,-	166,-
Castor Set, polyamide, Load capacity 1050 kg / castor set	A	131,-	15,-	146,-
Castor Set, solid rubber, Load capacity 615 kg / castor set	E	99,-	15,-	114,-
KN 400, hot-dip galvanized	E	579,-	127,-	706,-
Lid, galvanized	E	150,-	16,-	166,-
Castor Set, polyamide, Load capacity 1050 kg / castor set	A	131,-	15,-	146,-
Castor Set, solid rubber, Load capacity 615 kg / castor set	E	99,-	15,-	114,-

Tipping Skip Type KS	Category	Price	Freight charges	Price including freight charges
KS 400, painted	E	869,-	179,-	1048,-
KS 550, painted	E	931,-	179,-	1110,-
KS 700, painted	E	989,-	179,-	1168,-

Extensible Crane Arm Type KT	Category	Price	Freight charges	Price including freight charges
KT 2,5, painted	A	1399,-	179,-	1578,-
KT 2,5, hot-dip galvanized	A	1703,-	258,-	1961,-
KT 5,0, painted	A	1737,-	258,-	1995,-
KT 5,0, hot-dip galvanized	A	2166,-	258,-	2424,-

Extensible Crane Arm Type KTH	Category	Price	Freight charges	Price including freight charges
KTH 2,5, painted	A	1688,-	258,-	1946,-
KTH 2,5, hot-dip galvanized	A	1998,-	258,-	2256,-
KTH 5,0, painted	A	1943,-	258,-	2201,-
KTH 5,0, hot-dip galvanized	A	2292,-	258,-	2550,-

Extensible Crane Arm Type KTH-K	Category	Price	Freight charges	Price including freight charges
KTH-K 2,5, painted	A	1551,-	179,-	1730,-
KTH-K 2,5, hot-dip galvanized	A	1877,-	179,-	2056,-
KTH-K 5,0, painted	A	1789,-	179,-	1968,-
KTH-K 5,0, hot-dip galvanized	A	2156,-	258,-	2414,-

Extensible Crane Arm Type KT-K	Category	Price	Freight charges	Price including freight charges
KT-K 2,5, painted	A	1247,-	179,-	1426,-
KT-K 2,5, hot-dip galvanized	A	1567,-	179,-	1746,-
KT-K 5,0, painted	A	1570,-	179,-	1749,-
KT-K 5,0, hot-dip galvanized	A	2021,-	179,-	2200,-

Barrow Tipper Type KW-ET	Category	Price	Freight charges	Price including freight charges
KW-ET 250, painted	E	568,-	127,-	695,-

Prices in EUR, valid EXW DE-46354 Südlohn, DE-38820 Halberstadt, unpacked
Freight charges valid CPT Finland, islands and oversea territories excluded

Price List 0424 en-FI

Forklift Truck Attachments



Barrow Tipper Type KW-ET	Category	Price	Freight charges	Price including freight charges
Lid, galvanized	E	131,-	15,-	146,-
KW-ET 250, hot-dip galvanized	E	869,-	127,-	996,-
Lid, galvanized	E	131,-	15,-	146,-
KW-ET 400, painted	E	626,-	127,-	753,-
Lid, galvanized	E	150,-	16,-	166,-
KW-ET 400, hot-dip galvanized	E	964,-	127,-	1091,-
Lid, galvanized	E	150,-	16,-	166,-
KW-ET 600, painted	E	780,-	179,-	959,-
Lid, galvanized	E	167,-	20,-	187,-
KW-ET 600, hot-dip galvanized	E	1126,-	179,-	1305,-
Lid, galvanized	E	167,-	20,-	187,-
KW-ET 1000, painted	E	963,-	179,-	1142,-
Lid, galvanized	E	186,-	22,-	208,-
KW-ET 1000, hot-dip galvanized	E	1537,-	179,-	1716,-
Lid, galvanized	E	186,-	22,-	208,-

Loading Arm Type LA	Category	Price	Freight charges	Price including freight charges
LA 1600-1,0, painted	A	523,-	127,-	650,-
LA 1600-1,0, hot-dip galvanized	A	561,-	127,-	688,-
LA 1600-2,5, painted	A	759,-	127,-	886,-
LA 1600-2,5, hot-dip galvanized	A	895,-	127,-	1022,-
LA 1600-5,0, painted	A	1094,-	179,-	1273,-
LA 1600-5,0, hot-dip galvanized	A	1280,-	179,-	1459,-
LA 2400-1,0, painted	A	549,-	127,-	676,-
LA 2400-1,0, hot-dip galvanized	A	610,-	127,-	737,-
LA 2400-2,5, painted	A	847,-	179,-	1026,-
LA 2400-2,5, hot-dip galvanized	A	982,-	179,-	1161,-
LA 2400-5,0, painted	A	1207,-	179,-	1386,-
LA 2400-5,0, hot-dip galvanized	A	1429,-	179,-	1608,-
LA 25-1,0, painted	A	610,-	127,-	737,-
LA 25-1,0, hot-dip galvanized	A	659,-	127,-	786,-

Loading Arm Type LAT	Category	Price	Freight charges	Price including freight charges
LAT 25-1,0, painted	A	740,-	127,-	867,-
LAT 25-1,0, hot-dip galvanized	A	809,-	127,-	936,-

Scissor Gripper Type LG	Category	Price	Freight charges	Price including freight charges
LG 60, painted	B	236,-	70,-	306,-
LG 60, galvanized	B	215,-	70,-	285,-
LG 200, painted	B	236,-	70,-	306,-
LG 200, galvanized	B	215,-	70,-	285,-

Container for Long Material Type LGK	Category	Price	Freight charges	Price including freight charges
LGK, painted	A	1329,-	179,-	1508,-
Castor Set, polyamide, Load capacity 1350 kg / castor set	A	185,-	15,-	200,-

Prices in EUR, valid EXW DE-46354 Südlohn, DE-38820 Halberstadt, unpacked
 Freight charges valid CPT Finland, islands and oversea territories excluded

Price List 0424 en-FI

Forklift Truck Attachments



Container for Long Material Type LGK	Category	Price	Freight charges	Price including freight charges
LGK, hot-dip galvanized	A	1619,-	179,-	1798,-
Castor Set, polyamide, Load capacity 1350 kg / castor set	A	185,-	15,-	200,-

Long Material Carrier Type LGT	Category	Price	Freight charges	Price including freight charges
LGT 1,5, painted	A	1863,-	258,-	2121,-
LGT 1,5, hot-dip galvanized	A	2186,-	258,-	2444,-
LGT 2,5, painted	A	2090,-	on request	on request
LGT 2,5, hot-dip galvanized	A	2502,-	on request	on request
LGT 3,5, painted	A	2887,-	on request	on request
LGT 3,5, hot-dip galvanized	A	3545,-	on request	on request
LGT 4,5, painted	A	3190,-	on request	on request
LGT 4,5, hot-dip galvanized	A	3933,-	on request	on request

Drum Claw Type LGZ	Category	Price	Freight charges	Price including freight charges
LGZ 60, painted	B	217,-	70,-	287,-
LGZ 60, galvanized	B	203,-	70,-	273,-
LGZ 200, painted	B	217,-	70,-	287,-
LGZ 200, galvanized	B	203,-	70,-	273,-

Crane Hook Type LH	Category	Price	Freight charges	Price including freight charges
LH-I 1,0, painted	A	192,-	70,-	262,-
LH-I 1,0, hot-dip galvanized	A	215,-	70,-	285,-
LH-I 1,5, painted	A	210,-	70,-	280,-
LH-I 1,5, hot-dip galvanized	A	233,-	70,-	303,-
LH-I 2,0, painted	A	221,-	70,-	291,-
LH-I 2,0, hot-dip galvanized	A	245,-	70,-	315,-
LH-I 2,5, painted	A	246,-	70,-	316,-
LH-I 2,5, hot-dip galvanized	A	269,-	70,-	339,-
LH-I 3,0, painted	A	319,-	70,-	389,-
LH-I 3,0, hot-dip galvanized	A	343,-	70,-	413,-
LH-II 1,5, painted	A	317,-	70,-	387,-
LH-II 1,5, hot-dip galvanized	A	365,-	70,-	435,-
LH-II 2,5, painted	A	419,-	70,-	489,-
LH-II 2,5, hot-dip galvanized	A	498,-	70,-	568,-
LH-II 5,0, painted	A	695,-	127,-	822,-
LH-II 5,0, hot-dip galvanized	A	780,-	127,-	907,-
LH-II 7,5, painted	A	827,-	127,-	954,-
LH-II 7,5, hot-dip galvanized	A	916,-	127,-	1043,-

Long Load Handler Type LSL	Category	Price	Freight charges	Price including freight charges
LSL, painted	A	1102,-	179,-	1281,-
LSL, hot-dip galvanized	A	1265,-	179,-	1444,-

Long Material Sidecar Type LSW	Category	Price	Freight charges	Price including freight charges
LSW 1,3, painted	A	920,-	127,-	1047,-

Prices in EUR, valid EXW DE-46354 Südlohn, DE-38820 Halberstadt, unpacked
Freight charges valid CPT Finland, islands and oversea territories excluded

Price List 0424 en-FI

Forklift Truck Attachments



Long Material Sidecar Type LSW	Category	Price	Freight charges	Price including freight charges
LSW 1,3, hot-dip galvanized	A	982,-	179,-	1161,-
LSW 2,5, painted	A	1093,-	127,-	1220,-
LSW 2,5, hot-dip galvanized	A	1156,-	179,-	1335,-
Access Safety Platform Type MB-B	Category	Price	Freight charges	Price including freight charges
MB-B, painted	A	1048,-	179,-	1227,-
Castor Set, polyamide, Load capacity 1050 kg / castor set	A	131,-	15,-	146,-
Access Safety Platform Type MB-B/L	Category	Price	Freight charges	Price including freight charges
MB-B/L, painted	A	1230,-	179,-	1409,-
Castor Set, polyamide, Load capacity 1050 kg / castor set	A	131,-	15,-	146,-
Access Safety Platform Type MB-D	Category	Price	Freight charges	Price including freight charges
MB-D, painted	A	877,-	179,-	1056,-
Castor Set, polyamide, Load capacity 1050 kg / castor set	A	131,-	15,-	146,-
Access Safety Platform Type MB-D/L	Category	Price	Freight charges	Price including freight charges
MB-D/L, painted	A	1058,-	179,-	1237,-
Castor Set, polyamide, Load capacity 1050 kg / castor set	A	131,-	15,-	146,-
Access Safety Platform Type MB-F	Category	Price	Freight charges	Price including freight charges
MB-F, painted	A	1037,-	179,-	1216,-
Castor Set, polyamide, Load capacity 1050 kg / castor set	A	131,-	15,-	146,-
Access Safety Platform Type MB-II	Category	Price	Freight charges	Price including freight charges
MB-II, painted	A	960,-	179,-	1139,-
Castor Set, polyamide, Load capacity 1050 kg / castor set	A	131,-	15,-	146,-
MB-II, hot-dip galvanized	A	1131,-	179,-	1310,-
Castor Set, polyamide, Load capacity 1050 kg / castor set	A	131,-	15,-	146,-
Access Safety Platform Type MB-K-IV	Category	Price	Freight charges	Price including freight charges
MB-K-IV, painted	A	1943,-	229,-	2172,-
Access Safety Platform Type MB-ST	Category	Price	Freight charges	Price including freight charges
MB-ST, painted	A	2488,-	179,-	2667,-
Castor Set, polyamide, Load capacity 1050 kg / castor set	A	131,-	15,-	146,-
Access Safety Platform Type MB-ST/L	Category	Price	Freight charges	Price including freight charges
MB-ST/L, painted	A	2670,-	179,-	2849,-
Castor Set, polyamide, Load capacity 1050 kg / castor set	A	131,-	15,-	146,-
Access Safety Platform Type MB-ST/T	Category	Price	Freight charges	Price including freight charges
MB-ST/T, painted	A	2804,-	179,-	2983,-
Castor Set, polyamide, Load capacity 1050 kg / castor set	A	131,-	15,-	146,-

Prices in EUR, valid EXW DE-46354 Südlohn, DE-38820 Halberstadt, unpacked
Freight charges valid CPT Finland, islands and oversea territories excluded

Price List 0424 en-FI

Forklift Truck Attachments



Access Safety Platform Type MB-ST/T/L	Category	Price	Freight charges	Price including freight charges
MB-ST/T/L, painted	A	2987,-	179,-	3166,-
Castor Set, polyamide, Load capacity 1050 kg / castor set	A	131,-	15,-	146,-
Mini Tilting Container Type MGU	Category	Price	Freight charges	Price including freight charges
MGU 230, painted	A	549,-	127,-	676,-
Lid, galvanized	A	126,-	18,-	144,-
Castor Set, polyamide, Load capacity 1050 kg / castor set	A	150,-	15,-	165,-
Skip Body Welded Oil and Watertight	A	75,-	0,-	75,-
MGU 230, hot-dip galvanized	A	632,-	179,-	811,-
Lid, galvanized	A	126,-	18,-	144,-
Castor Set, polyamide, Load capacity 1050 kg / castor set	A	150,-	15,-	165,-
Skip Body Welded Oil and Watertight	A	75,-	0,-	75,-
MGU 270, painted	A	600,-	179,-	779,-
Lid, galvanized	A	126,-	18,-	144,-
Castor Set, polyamide, Load capacity 1050 kg / castor set	A	150,-	15,-	165,-
Skip Body Welded Oil and Watertight	A	75,-	0,-	75,-
MGU 270, hot-dip galvanized	A	704,-	179,-	883,-
Lid, galvanized	A	126,-	18,-	144,-
Castor Set, polyamide, Load capacity 1050 kg / castor set	A	150,-	15,-	165,-
Skip Body Welded Oil and Watertight	A	75,-	0,-	75,-
MGU 460, painted	A	787,-	179,-	966,-
Lid, galvanized	A	163,-	22,-	185,-
Castor Set, polyamide, Load capacity 1050 kg / castor set	A	150,-	15,-	165,-
Skip Body Welded Oil and Watertight	A	75,-	0,-	75,-
MGU 460, hot-dip galvanized	A	934,-	179,-	1113,-
Lid, galvanized	A	163,-	22,-	185,-
Castor Set, polyamide, Load capacity 1050 kg / castor set	A	150,-	15,-	165,-
Skip Body Welded Oil and Watertight	A	75,-	0,-	75,-
MGU 610, painted	A	887,-	179,-	1066,-
Lid, galvanized	A	174,-	26,-	200,-
Castor Set, polyamide, Load capacity 1050 kg / castor set	A	150,-	15,-	165,-
Skip Body Welded Oil and Watertight	A	75,-	0,-	75,-
MGU 610, hot-dip galvanized	A	1052,-	179,-	1231,-
Lid, galvanized	A	174,-	26,-	200,-
Castor Set, polyamide, Load capacity 1050 kg / castor set	A	150,-	15,-	165,-
Skip Body Welded Oil and Watertight	A	75,-	0,-	75,-
Wheelie Bin Jack Type MH	Category	Price	Freight charges	Price including freight charges
MH-I, painted	A	634,-	127,-	761,-
MH-II, painted	A	700,-	127,-	827,-
MH-III, painted	A	757,-	127,-	884,-
Wheelie Bin Tipper Type MK	Category	Price	Freight charges	Price including freight charges
MK 120, painted	A	1229,-	127,-	1356,-
MK 240, painted	A	1229,-	127,-	1356,-

Prices in EUR, valid EXW DE-46354 Südlohn, DE-38820 Halberstadt, unpacked
Freight charges valid CPT Finland, islands and oversea territories excluded

Price List 0424 en-FI

Forklift Truck Attachments



Wheellie Bin Tipper Type MK-H	Category	Price	Freight charges	Price including freight charges
MK-H 120, painted	A	1837,-	127,-	1964,-
MK-H 240, painted	A	1837,-	179,-	2016,-

Mini Container With Drop Away Base Type MSB	Category	Price	Freight charges	Price including freight charges
MSB 150, painted	A	614,-	127,-	741,-
Castor Set, polyamide, Load capacity 1050 kg / castor set	A	150,-	15,-	165,-
Guiding Plates, galvanized	A	70,-	12,-	82,-
MSB 150, hot-dip galvanized	A	720,-	127,-	847,-
Castor Set, polyamide, Load capacity 1050 kg / castor set	A	150,-	15,-	165,-
Guiding Plates, galvanized	A	70,-	12,-	82,-
MSB 250, painted	A	666,-	127,-	793,-
Castor Set, polyamide, Load capacity 1050 kg / castor set	A	150,-	15,-	165,-
Guiding Plates, galvanized	A	70,-	12,-	82,-
MSB 250, hot-dip galvanized	A	798,-	127,-	925,-
Castor Set, polyamide, Load capacity 1050 kg / castor set	A	150,-	15,-	165,-
Guiding Plates, galvanized	A	70,-	12,-	82,-
MSB 400, painted	A	821,-	179,-	1000,-
Castor Set, polyamide, Load capacity 1050 kg / castor set	A	150,-	15,-	165,-
Guiding Plates, galvanized	A	70,-	12,-	82,-
MSB 400, hot-dip galvanized	A	983,-	179,-	1162,-
Castor Set, polyamide, Load capacity 1050 kg / castor set	A	150,-	15,-	165,-
Guiding Plates, galvanized	A	70,-	12,-	82,-

Tilting Container Type NK	Category	Price	Freight charges	Price including freight charges
NK 30, painted	A	676,-	179,-	855,-
Lid, galvanized	A	94,-	15,-	109,-
Castor Set, polyamide, Load capacity 1350 kg / castor set	A	185,-	15,-	200,-
Skip Body Welded Oil and Watertight	A	75,-	0,-	75,-
NK 30, hot-dip galvanized	A	950,-	179,-	1129,-
Lid, galvanized	A	94,-	15,-	109,-
Castor Set, polyamide, Load capacity 1350 kg / castor set	A	185,-	15,-	200,-
Skip Body Welded Oil and Watertight	A	75,-	0,-	75,-
NK 50, painted	A	950,-	179,-	1129,-
Lid, galvanized	A	94,-	18,-	112,-
Castor Set, polyamide, Load capacity 1350 kg / castor set	A	185,-	15,-	200,-
Skip Body Welded Oil and Watertight	A	75,-	0,-	75,-
NK 50, hot-dip galvanized	A	1282,-	179,-	1461,-
Lid, galvanized	A	94,-	18,-	112,-
Castor Set, polyamide, Load capacity 1350 kg / castor set	A	185,-	15,-	200,-
Skip Body Welded Oil and Watertight	A	75,-	0,-	75,-
NK 75, painted	A	1077,-	258,-	1335,-
Lid, galvanized	A	137,-	22,-	159,-
Castor Set, polyamide, Load capacity 1350 kg / castor set	A	185,-	15,-	200,-
Skip Body Welded Oil and Watertight	A	75,-	0,-	75,-
NK 75, hot-dip galvanized	A	1684,-	258,-	1942,-

Prices in EUR, valid EXW DE-46354 Südlohn, DE-38820 Halberstadt, unpacked
Freight charges valid CPT Finland, islands and oversea territories excluded

Price List 0424 en-FI

Forklift Truck Attachments



Tilting Container Type NK	Category	Price	Freight charges	Price including freight charges
Lid, galvanized	A	137,-	22,-	159,-
Castor Set, polyamide, Load capacity 1350 kg / castor set	A	185,-	15,-	200,-
Skip Body Welded Oil and Watertight	A	75,-	0,-	75,-
NK 100, painted	A	1457,-	258,-	1715,-
Lid, galvanized	A	167,-	27,-	194,-
Castor Set, polyamide, Load capacity 1350 kg / castor set	A	185,-	15,-	200,-
Skip Body Welded Oil and Watertight	A	116,-	0,-	116,-
NK 100, hot-dip galvanized	A	2000,-	258,-	2258,-
Lid, galvanized	A	167,-	27,-	194,-
Castor Set, polyamide, Load capacity 1350 kg / castor set	A	185,-	15,-	200,-
Skip Body Welded Oil and Watertight	A	116,-	0,-	116,-
Cylindrical Container Type RB	Category	Price	Freight charges	Price including freight charges
RB 300, painted	A	656,-	127,-	783,-
Lid, aluminium	A	154,-	14,-	168,-
Castor Set, polyamide, Load capacity 1050 kg / castor set	A	150,-	15,-	165,-
RB 300, hot-dip galvanized	A	763,-	127,-	890,-
Lid, aluminium	A	154,-	14,-	168,-
Castor Set, polyamide, Load capacity 1050 kg / castor set	A	150,-	15,-	165,-
RB 450, painted	A	766,-	127,-	893,-
Lid, aluminium	A	154,-	14,-	168,-
Castor Set, polyamide, Load capacity 1050 kg / castor set	A	150,-	15,-	165,-
RB 450, hot-dip galvanized	A	895,-	127,-	1022,-
Lid, aluminium	A	154,-	14,-	168,-
Castor Set, polyamide, Load capacity 1050 kg / castor set	A	150,-	15,-	165,-
Tilting Container Type RD	Category	Price	Freight charges	Price including freight charges
RD 750, painted	A	1161,-	258,-	1419,-
Castor Set, polyamide, Load capacity 1350 kg / castor set	A	185,-	15,-	200,-
Skip Body Welded Oil and Watertight	A	75,-	0,-	75,-
RD 750, hot-dip galvanized	A	1547,-	258,-	1805,-
Castor Set, polyamide, Load capacity 1350 kg / castor set	A	185,-	15,-	200,-
Skip Body Welded Oil and Watertight	A	75,-	0,-	75,-
RD 1000, painted	A	1400,-	258,-	1658,-
Castor Set, polyamide, Load capacity 1350 kg / castor set	A	185,-	15,-	200,-
Skip Body Welded Oil and Watertight	A	116,-	0,-	116,-
RD 1000, hot-dip galvanized	A	1867,-	258,-	2125,-
Castor Set, polyamide, Load capacity 1350 kg / castor set	A	185,-	15,-	200,-
Skip Body Welded Oil and Watertight	A	116,-	0,-	116,-
Platform for Off-Cuts Type RGP	Category	Price	Freight charges	Price including freight charges
RGP-1, painted	A	2354,-	on request	on request
RGP-1, hot-dip galvanized	A	3012,-	on request	on request
RGP-2, painted	A	2578,-	on request	on request
RGP-2, hot-dip galvanized	A	3437,-	on request	on request

Prices in EUR, valid EXW DE-46354 Südlohn, DE-38820 Halberstadt, unpacked
Freight charges valid CPT Finland, islands and oversea territories excluded

Price List 0424 en-FI

Forklift Truck Attachments



Platform for Off-Cuts Type RGP	Category	Price	Freight charges	Price including freight charges
RGP-3, painted	A	2808,-	on request	on request
RGP-3, hot-dip galvanized	A	3783,-	on request	on request
Shunting Aid Type RH	Category	Price	Freight charges	Price including freight charges
RH, painted	A	411,-	70,-	481,-
Shunting Aid Type RH-AC	Category	Price	Freight charges	Price including freight charges
RH-AC, painted	A	2227,-	258,-	2485,-
Shunting Aid Type RH-RA	Category	Price	Freight charges	Price including freight charges
RH-RA, painted	A	1532,-	127,-	1659,-
Shunting Aid Type RH-RAK	Category	Price	Freight charges	Price including freight charges
RH-RAK, painted	A	1633,-	127,-	1760,-
Shunting Aid Type RH-RM	Category	Price	Freight charges	Price including freight charges
RH-RM, painted	A	1138,-	127,-	1265,-
Shunting Aid Type RH-RMK	Category	Price	Freight charges	Price including freight charges
RH-RMK, painted	A	1241,-	127,-	1368,-
Drum Lifter Type RS 60	Category	Price	Freight charges	Price including freight charges
RS 60-I, painted	B	978,-	127,-	1105,-
RS 60-I, hot-dip galvanized	B	1039,-	127,-	1166,-
RS 60-II, painted	B	1655,-	127,-	1782,-
RS 60-II, hot-dip galvanized	B	1737,-	127,-	1864,-
Drum Lifter Type RS	Category	Price	Freight charges	Price including freight charges
RS-I/91, painted	B	1643,-	179,-	1822,-
RS-I/91, hot-dip galvanized	B	1879,-	179,-	2058,-
RS-II/91, painted	B	2848,-	179,-	3027,-
RS-II/91, hot-dip galvanized	B	3207,-	179,-	3386,-
RS-I/M, painted	B	1503,-	127,-	1630,-
RS-I/M, hot-dip galvanized	B	1737,-	179,-	1916,-
RS-II/M, painted	B	2572,-	179,-	2751,-
RS-II/M, hot-dip galvanized	B	2927,-	179,-	3106,-
Drum Lifter Type RS/D 91	Category	Price	Freight charges	Price including freight charges
RS-I/D 91, painted	B	1437,-	179,-	1616,-
RS-I/D 91, hot-dip galvanized	B	1671,-	179,-	1850,-
RS-II/D 91, painted	B	2435,-	179,-	2614,-
RS-II/D 91, hot-dip galvanized	B	2789,-	179,-	2968,-

Prices in EUR, valid EXW DE-46354 Südlohn, DE-38820 Halberstadt, unpacked
Freight charges valid CPT Finland, islands and oversea territories excluded

Price List 0424 en-FI

Forklift Truck Attachments



Swarf Tilting Container Type S3S	Category	Price	Freight charges	Price including freight charges
S3S 300, painted	A	1311,-	179,-	1490,-
Lid, galvanized	A	168,-	18,-	186,-
Castor Set, polyamide, Load capacity 1050 kg / castor set	A	131,-	15,-	146,-
S3S 300, hot-dip galvanized	A	1404,-	258,-	1662,-
Lid, galvanized	A	168,-	18,-	186,-
Castor Set, polyamide, Load capacity 1050 kg / castor set	A	131,-	15,-	146,-
S3S 600, painted	A	1365,-	258,-	1623,-
Lid, galvanized	A	189,-	22,-	211,-
Castor Set, polyamide, Load capacity 1050 kg / castor set	A	131,-	15,-	146,-
S3S 600, hot-dip galvanized	A	1462,-	258,-	1720,-
Lid, galvanized	A	189,-	22,-	211,-
Castor Set, polyamide, Load capacity 1050 kg / castor set	A	131,-	15,-	146,-
Swarf Tilting Container Type S4A	Category	Price	Freight charges	Price including freight charges
S4A 600, painted	A	1228,-	179,-	1407,-
Lid, galvanized	A	189,-	22,-	211,-
S4A 600, hot-dip galvanized	A	1370,-	179,-	1549,-
Lid, galvanized	A	189,-	22,-	211,-
S4A 900, painted	A	1360,-	258,-	1618,-
Lid, galvanized	A	215,-	27,-	242,-
S4A 900, hot-dip galvanized	A	1541,-	258,-	1799,-
Lid, galvanized	A	215,-	27,-	242,-
S4A 1200, painted	A	1446,-	258,-	1704,-
Lid, galvanized	A	215,-	26,-	241,-
S4A 1200, hot-dip galvanized	A	1671,-	258,-	1929,-
Lid, galvanized	A	215,-	26,-	241,-
Container With Drop Away Base Type SB	Category	Price	Freight charges	Price including freight charges
SB 500, painted	B	966,-	179,-	1145,-
Lid, galvanized	B	138,-	16,-	154,-
Castor Set, polyamide, Load capacity 1350 kg / castor set	A	185,-	15,-	200,-
Castor Set, polyamide, Load capacity 2550 kg / castor set	A	366,-	15,-	381,-
SB 500, hot-dip galvanized	B	1258,-	179,-	1437,-
Lid, galvanized	B	138,-	16,-	154,-
Castor Set, polyamide, Load capacity 1350 kg / castor set	A	185,-	15,-	200,-
Castor Set, polyamide, Load capacity 2550 kg / castor set	A	366,-	15,-	381,-
SB 750, painted	B	1057,-	179,-	1236,-
Lid, galvanized	B	138,-	16,-	154,-
Castor Set, polyamide, Load capacity 1350 kg / castor set	A	185,-	15,-	200,-
Castor Set, polyamide, Load capacity 2550 kg / castor set	A	366,-	15,-	381,-
SB 750, hot-dip galvanized	B	1468,-	258,-	1726,-
Lid, galvanized	B	138,-	16,-	154,-
Castor Set, polyamide, Load capacity 1350 kg / castor set	A	185,-	15,-	200,-
Castor Set, polyamide, Load capacity 2550 kg / castor set	A	366,-	15,-	381,-
SB 1000, painted	B	1251,-	258,-	1509,-

Prices in EUR, valid EXW DE-46354 Südlohn, DE-38820 Halberstadt, unpacked
Freight charges valid CPT Finland, islands and oversea territories excluded

Price List 0424 en-FI

Forklift Truck Attachments



Container With Drop Away Base Type SB	Category	Price	Freight charges	Price including freight charges
Lid, galvanized	B	138,-	16,-	154,-
Castor Set, polyamide, Load capacity 1350 kg / castor set	A	185,-	15,-	200,-
Castor Set, polyamide, Load capacity 2550 kg / castor set	A	366,-	15,-	381,-
SB 1000, hot-dip galvanized	B	1740,-	258,-	1998,-
Lid, galvanized	B	138,-	16,-	154,-
Castor Set, polyamide, Load capacity 1350 kg / castor set	A	185,-	15,-	200,-
Castor Set, polyamide, Load capacity 2550 kg / castor set	A	366,-	15,-	381,-
SB 1500, painted	B	1695,-	258,-	1953,-
Lid, galvanized	B	245,-	21,-	266,-
Castor Set, polyamide, Load capacity 1350 kg / castor set	A	185,-	15,-	200,-
Castor Set, polyamide, Load capacity 2550 kg / castor set	A	366,-	15,-	381,-
SB 1500, hot-dip galvanized	B	2360,-	331,-	2691,-
Lid, galvanized	B	245,-	21,-	266,-
Castor Set, polyamide, Load capacity 1350 kg / castor set	A	185,-	15,-	200,-
Castor Set, polyamide, Load capacity 2550 kg / castor set	A	366,-	15,-	381,-
SB 2000, painted	B	1742,-	331,-	2073,-
Lid, galvanized	B	245,-	21,-	266,-
Castor Set, polyamide, Load capacity 1350 kg / castor set	A	185,-	15,-	200,-
Castor Set, polyamide, Load capacity 2550 kg / castor set	A	366,-	15,-	381,-
SB 2000, hot-dip galvanized	B	2493,-	331,-	2824,-
Lid, galvanized	B	245,-	21,-	266,-
Castor Set, polyamide, Load capacity 1350 kg / castor set	A	185,-	15,-	200,-
Castor Set, polyamide, Load capacity 2550 kg / castor set	A	366,-	15,-	381,-
Collecting System Type SBS	Category	Price	Freight charges	Price including freight charges
SBS 500, painted	C	385,-	179,-	564,-
Trolley TW 500, hot-dip galvanized	C	249,-	127,-	376,-
SBS 500, hot-dip galvanized	C	456,-	179,-	635,-
Trolley TW 500, hot-dip galvanized	C	249,-	127,-	376,-
SBS 1000, painted	C	491,-	179,-	670,-
Trolley TW 1000, hot-dip galvanized	C	286,-	127,-	413,-
SBS 1000, hot-dip galvanized	C	604,-	258,-	862,-
Trolley TW 1000, hot-dip galvanized	C	286,-	127,-	413,-
SBS 2000, painted	C	779,-	308,-	1087,-
Trolley TW 2000, hot-dip galvanized	C	487,-	127,-	614,-
SBS 2000, hot-dip galvanized	C	935,-	308,-	1243,-
Trolley TW 2000, hot-dip galvanized	C	487,-	127,-	614,-
Filling Hopper Type SBT	Category	Price	Freight charges	Price including freight charges
SBT, painted	A	1614,-	258,-	1872,-
Snowdozer Type SCH-F	Category	Price	Freight charges	Price including freight charges
SCH-F 150, painted	A	2157,-	258,-	2415,-
SCH-F 180, painted	A	2422,-	258,-	2680,-
SCH-F 210, painted	A	2722,-	258,-	2980,-

Prices in EUR, valid EXW DE-46354 Südlohn, DE-38820 Halberstadt, unpacked
Freight charges valid CPT Finland, islands and oversea territories excluded

Price List 0424 en-FI

Forklift Truck Attachments



Snowdozer Type SCH-F	Category	Price	Freight charges	Price including freight charges
SCH-F 240, painted	A	2990,-	381,-	3371,-
Snowdozer Type SCH-G	Category	Price	Freight charges	Price including freight charges
SCH-G 150, painted	A	1530,-	179,-	1709,-
SCH-G 180, painted	A	1671,-	179,-	1850,-
SCH-G 210, painted	A	1930,-	258,-	2188,-
SCH-G 240, painted	A	2086,-	308,-	2394,-
Snowdozer Type SCH-L	Category	Price	Freight charges	Price including freight charges
SCH-L 1500, painted	A	1142,-	179,-	1321,-
SCH-L 1500, hot-dip galvanized	A	1265,-	179,-	1444,-
SCH-L 1800, painted	A	1333,-	179,-	1512,-
SCH-L 1800, hot-dip galvanized	A	1480,-	179,-	1659,-
Snow Plough Type SCH-P-G	Category	Price	Freight charges	Price including freight charges
SCH-P-G 150, painted	A	2408,-	258,-	2666,-
SCH-P-G 180, painted	A	2586,-	258,-	2844,-
SCH-P-G 210, painted	A	2772,-	258,-	3030,-
SCH-P-G 240, painted	A	3292,-	308,-	3600,-
Snow Plough Type SCH-P-S	Category	Price	Freight charges	Price including freight charges
SCH-P-S 150, painted	A	2239,-	258,-	2497,-
SCH-P-S 180, painted	A	2392,-	258,-	2650,-
SCH-P-S 210, painted	A	2540,-	258,-	2798,-
SCH-P-S 240, painted	A	3022,-	308,-	3330,-
Snow Plough Type SCH-P-V	Category	Price	Freight charges	Price including freight charges
SCH-P-V 150, painted	A	2590,-	258,-	2848,-
SCH-P-V 180, painted	A	2849,-	258,-	3107,-
SCH-P-V 210, painted	A	3091,-	258,-	3349,-
SCH-P-V 240, painted	A	3614,-	308,-	3922,-
Snowdozer Type SCH-S	Category	Price	Freight charges	Price including freight charges
SCH-S 150, painted	A	1359,-	179,-	1538,-
SCH-S 180, painted	A	1476,-	179,-	1655,-
SCH-S 210, painted	A	1700,-	258,-	1958,-
SCH-S 240, painted	A	1816,-	308,-	2124,-
Snow Plough Type SCH-U-G	Category	Price	Freight charges	Price including freight charges
SCH-U-G 150, painted	A	2408,-	258,-	2666,-
SCH-U-G 180, painted	A	2586,-	258,-	2844,-
SCH-U-G 210, painted	A	2772,-	258,-	3030,-
SCH-U-G 240, painted	A	3292,-	308,-	3600,-

Prices in EUR, valid EXW DE-46354 Südlohn, DE-38820 Halberstadt, unpacked
Freight charges valid CPT Finland, islands and oversea territories excluded

Price List 0424 en-FI

Forklift Truck Attachments



Snow Plough Type SCH-U-S	Category	Price	Freight charges	Price including freight charges
SCH-U-S 150, painted	A	2239,-	258,-	2497,-
SCH-U-S 180, painted	A	2392,-	258,-	2650,-
SCH-U-S 210, painted	A	2540,-	258,-	2798,-
SCH-U-S 240, painted	A	3022,-	308,-	3330,-

Snow Plough Type SCH-U-V	Category	Price	Freight charges	Price including freight charges
SCH-U-V 150, painted	A	2590,-	258,-	2848,-
SCH-U-V 180, painted	A	2849,-	258,-	3107,-
SCH-U-V 210, painted	A	3091,-	258,-	3349,-
SCH-U-V 240, painted	A	3614,-	308,-	3922,-

Snowdozer Type SCH-V	Category	Price	Freight charges	Price including freight charges
SCH-V 150, painted	A	1709,-	179,-	1888,-
SCH-V 180, painted	A	1923,-	179,-	2102,-
SCH-V 210, painted	A	2252,-	258,-	2510,-
SCH-V 240, painted	A	2407,-	308,-	2715,-

Silo Container Type SG	Category	Price	Freight charges	Price including freight charges
SG 375, painted	E	979,-	179,-	1158,-
Lid, galvanized	E	126,-	28,-	154,-
SG 375, hot-dip galvanized	E	1700,-	179,-	1879,-
Lid, galvanized	E	126,-	28,-	154,-
SG 600, painted	E	1168,-	179,-	1347,-
Lid, galvanized	E	126,-	28,-	154,-
SG 600, hot-dip galvanized	E	1885,-	179,-	2064,-
Lid, galvanized	E	126,-	28,-	154,-

Silo Container Type SG-D	Category	Price	Freight charges	Price including freight charges
SG-D 375, painted	E	979,-	127,-	1106,-
Lid, galvanized	E	126,-	28,-	154,-
SG-D 375, hot-dip galvanized	E	1700,-	179,-	1879,-
Lid, galvanized	E	126,-	28,-	154,-
SG-D 600, painted	E	1168,-	179,-	1347,-
Lid, galvanized	E	126,-	28,-	154,-
SG-D 600, hot-dip galvanized	E	1885,-	179,-	2064,-
Lid, galvanized	E	126,-	28,-	154,-

Silo Container Type SGK	Category	Price	Freight charges	Price including freight charges
SGK 50, painted	A	1077,-	179,-	1256,-
SGK 50, hot-dip galvanized	A	1103,-	179,-	1282,-
SGK 75, painted	A	1172,-	179,-	1351,-
SGK 75, hot-dip galvanized	A	1208,-	179,-	1387,-
SGK 100, painted	A	1282,-	179,-	1461,-
SGK 100, hot-dip galvanized	A	1320,-	179,-	1499,-

Prices in EUR, valid EXW DE-46354 Südlohn, DE-38820 Halberstadt, unpacked
Freight charges valid CPT Finland, islands and oversea territories excluded

Price List 0424 en-FI

Forklift Truck Attachments



Silo Container Type SGS	Category	Price	Freight charges	Price including freight charges
SGS 50, painted	A	855,-	127,-	982,-
SGS 50, hot-dip galvanized	A	871,-	179,-	1050,-
SGS 75, painted	A	948,-	179,-	1127,-
SGS 75, hot-dip galvanized	A	980,-	179,-	1159,-
SGS 100, painted	A	1041,-	179,-	1220,-
SGS 100, hot-dip galvanized	A	1072,-	179,-	1251,-

Swarf Tilting Container Type SGU	Category	Price	Freight charges	Price including freight charges
SGU 30, painted	A	908,-	179,-	1087,-
Lid, galvanized	A	94,-	18,-	112,-
Castor Set, polyamide, Load capacity 1350 kg / castor set	A	185,-	15,-	200,-
Crane lifting eyes for use with a crane	A	102,-	8,-	110,-
Support legs, 100 mm ground leeway	A	67,-	8,-	75,-
SGU 30, hot-dip galvanized	A	1079,-	179,-	1258,-
Lid, galvanized	A	94,-	18,-	112,-
Castor Set, polyamide, Load capacity 1350 kg / castor set	A	185,-	15,-	200,-
Crane lifting eyes for use with a crane	A	102,-	8,-	110,-
Support legs, 100 mm ground leeway	A	67,-	8,-	75,-
SGU 50, painted	A	1123,-	179,-	1302,-
Lid, galvanized	A	94,-	18,-	112,-
Castor Set, polyamide, Load capacity 1350 kg / castor set	A	185,-	15,-	200,-
Adjustable dumping brake	A	448,-	10,-	458,-
Crane lifting eyes for use with a crane	A	102,-	8,-	110,-
Support legs, 100 mm ground leeway	A	67,-	8,-	75,-
SGU 50, hot-dip galvanized	A	1359,-	179,-	1538,-
Lid, galvanized	A	94,-	18,-	112,-
Castor Set, polyamide, Load capacity 1350 kg / castor set	A	185,-	15,-	200,-
Adjustable dumping brake	A	448,-	10,-	458,-
Crane lifting eyes for use with a crane	A	102,-	8,-	110,-
Support legs, 100 mm ground leeway	A	67,-	8,-	75,-
SGU 75, painted	A	1267,-	179,-	1446,-
Lid, galvanized	A	134,-	26,-	160,-
Castor Set, polyamide, Load capacity 1350 kg / castor set	A	185,-	15,-	200,-
Adjustable dumping brake	A	448,-	10,-	458,-
Crane lifting eyes for use with a crane	A	102,-	8,-	110,-
Support legs, 100 mm ground leeway	A	67,-	8,-	75,-
SGU 75, hot-dip galvanized	A	1568,-	179,-	1747,-
Lid, galvanized	A	134,-	26,-	160,-
Castor Set, polyamide, Load capacity 1350 kg / castor set	A	185,-	15,-	200,-
Adjustable dumping brake	A	448,-	10,-	458,-
Crane lifting eyes for use with a crane	A	102,-	8,-	110,-
Support legs, 100 mm ground leeway	A	67,-	8,-	75,-
SGU 100, painted	A	1517,-	258,-	1775,-
Lid, galvanized	A	185,-	27,-	212,-
Castor Set, polyamide, Load capacity 1350 kg / castor set	A	185,-	15,-	200,-
Adjustable dumping brake	A	448,-	10,-	458,-

Prices in EUR, valid EXW DE-46354 Südlohn, DE-38820 Halberstadt, unpacked
Freight charges valid CPT Finland, islands and oversea territories excluded

Price List 0424 en-FI

Forklift Truck Attachments



Swarf Tilting Container Type SGU	Category	Price	Freight charges	Price including freight charges
Crane lifting eyes for use with a crane	A	102,-	8,-	110,-
Support legs, 100 mm ground leeway	A	67,-	8,-	75,-
SGU 100, hot-dip galvanized	A	2048,-	258,-	2306,-
Lid, galvanized	A	185,-	27,-	212,-
Castor Set, polyamide, Load capacity 1350 kg / castor set	A	185,-	15,-	200,-
Adjustable dumping brake	A	448,-	10,-	458,-
Crane lifting eyes for use with a crane	A	102,-	8,-	110,-
Support legs, 100 mm ground leeway	A	67,-	8,-	75,-
SGU 150, painted	A	1704,-	258,-	1962,-
Lid, galvanized	A	185,-	27,-	212,-
Castor Set, polyamide, Load capacity 1350 kg / castor set	A	185,-	15,-	200,-
Adjustable dumping brake	A	448,-	10,-	458,-
Crane lifting eyes for use with a crane	A	102,-	8,-	110,-
Support legs, 100 mm ground leeway	A	67,-	8,-	75,-
SGU 150, hot-dip galvanized	A	2166,-	258,-	2424,-
Lid, galvanized	A	185,-	27,-	212,-
Castor Set, polyamide, Load capacity 1350 kg / castor set	A	185,-	15,-	200,-
Adjustable dumping brake	A	448,-	10,-	458,-
Crane lifting eyes for use with a crane	A	102,-	8,-	110,-
Support legs, 100 mm ground leeway	A	67,-	8,-	75,-
SGU 200, painted	A	2140,-	331,-	2471,-
Lid, galvanized	A	218,-	32,-	250,-
Castor Set, polyamide, Load capacity 1350 kg / castor set	A	185,-	15,-	200,-
Adjustable dumping brake	A	448,-	10,-	458,-
Crane lifting eyes for use with a crane	A	102,-	8,-	110,-
Support legs, 100 mm ground leeway	A	67,-	8,-	75,-
SGU 200, hot-dip galvanized	A	2685,-	331,-	3016,-
Castor Set, polyamide, Load capacity 1350 kg / castor set	A	185,-	15,-	200,-
Lid, galvanized	A	218,-	32,-	250,-
Adjustable dumping brake	A	448,-	10,-	458,-
Crane lifting eyes for use with a crane	A	102,-	8,-	110,-
Support legs, 100 mm ground leeway	A	67,-	8,-	75,-
Swarf Tilting Container Type SGU-RZ	Category	Price	Freight charges	Price including freight charges
SGU-RZ 30, painted	A	939,-	179,-	1118,-
Lid, galvanized	A	91,-	18,-	109,-
SGU-RZ 30, hot-dip galvanized	A	1059,-	179,-	1238,-
Lid, galvanized	A	91,-	18,-	109,-
SGU-RZ 55, painted	A	1161,-	179,-	1340,-
Lid, galvanized	A	91,-	18,-	109,-
SGU-RZ 55, hot-dip galvanized	A	1269,-	179,-	1448,-
Lid, galvanized	A	91,-	18,-	109,-
Gritter Type SH	Category	Price	Freight charges	Price including freight charges
SH, painted	A	3448,-	179,-	3627,-

Prices in EUR, valid EXW DE-46354 Südlohn, DE-38820 Halberstadt, unpacked
Freight charges valid CPT Finland, islands and oversea territories excluded

Price List 0424 en-FI

Forklift Truck Attachments



Gritter Type SH	Category	Price	Freight charges	Price including freight charges
Tarpaulin	A	117,-	10,-	127,-
Forklift Safety Cage Type SIKO	Category	Price	Freight charges	Price including freight charges
SIKO, painted	A	701,-	127,-	828,-
Castor Set, polyamide, Load capacity 1050 kg / castor set	A	131,-	15,-	146,-
Forklift Safety Cage Type SIKO/L	Category	Price	Freight charges	Price including freight charges
SIKO/L, painted	A	848,-	127,-	975,-
Castor Set, polyamide, Load capacity 1050 kg / castor set	A	131,-	15,-	146,-
Forklift Safety Cage Type SIKO-G	Category	Price	Freight charges	Price including freight charges
SIKO-G, painted	A	634,-	127,-	761,-
Forklift Safety Cage Type SIKO-M	Category	Price	Freight charges	Price including freight charges
SIKO-M, painted	A	511,-	127,-	638,-
Heavy Duty Tilting Container Type SK	Category	Price	Freight charges	Price including freight charges
SK 300, painted	A	1237,-	258,-	1495,-
Lid, galvanized	A	168,-	18,-	186,-
Castor Set, polyamide, Load capacity 2550 kg / castor set	A	366,-	15,-	381,-
Skip Body Welded Oil and Watertight	A	75,-	0,-	75,-
SK 300, hot-dip galvanized	A	1502,-	258,-	1760,-
Lid, galvanized	A	168,-	18,-	186,-
Castor Set, polyamide, Load capacity 2550 kg / castor set	A	366,-	15,-	381,-
Skip Body Welded Oil and Watertight	A	75,-	0,-	75,-
SK 600, painted	A	1339,-	258,-	1597,-
Lid, galvanized	A	189,-	22,-	211,-
Castor Set, polyamide, Load capacity 2550 kg / castor set	A	366,-	15,-	381,-
Skip Body Welded Oil and Watertight	A	75,-	0,-	75,-
SK 600, hot-dip galvanized	A	1665,-	331,-	1996,-
Lid, galvanized	A	189,-	22,-	211,-
Castor Set, polyamide, Load capacity 2550 kg / castor set	A	366,-	15,-	381,-
Skip Body Welded Oil and Watertight	A	75,-	0,-	75,-
SK 900, painted	A	1458,-	331,-	1789,-
Lid, galvanized	A	215,-	27,-	242,-
Castor Set, polyamide, Load capacity 2550 kg / castor set	A	366,-	15,-	381,-
Skip Body Welded Oil and Watertight	A	75,-	0,-	75,-
SK 900, hot-dip galvanized	A	1875,-	331,-	2206,-
Lid, galvanized	A	215,-	27,-	242,-
Castor Set, polyamide, Load capacity 2550 kg / castor set	A	366,-	15,-	381,-
Skip Body Welded Oil and Watertight	A	75,-	0,-	75,-
SK 1200, painted	A	1710,-	331,-	2041,-
Lid, galvanized	A	215,-	26,-	241,-
Castor Set, polyamide, Load capacity 2550 kg / castor set	A	366,-	15,-	381,-
Skip Body Welded Oil and Watertight	A	116,-	0,-	116,-

Prices in EUR, valid EXW DE-46354 Südlohn, DE-38820 Halberstadt, unpacked
Freight charges valid CPT Finland, islands and oversea territories excluded

Price List 0424 en-FI

Forklift Truck Attachments



Heavy Duty Tilting Container Type SK	Category	Price	Freight charges	Price including freight charges
SK 1200, hot-dip galvanized	A	2200,-	461,-	2661,-
Lid, galvanized	A	215,-	26,-	241,-
Castor Set, polyamide, Load capacity 2550 kg / castor set	A	366,-	15,-	381,-
Skip Body Welded Oil and Watertight	A	116,-	0,-	116,-
SK 1700, painted	A	1799,-	461,-	2260,-
Lid, galvanized	A	266,-	33,-	299,-
Castor Set, polyamide, Load capacity 2550 kg / castor set	A	366,-	15,-	381,-
Skip Body Welded Oil and Watertight	A	116,-	0,-	116,-
SK 1700, hot-dip galvanized	A	2407,-	461,-	2868,-
Lid, galvanized	A	266,-	33,-	299,-
Castor Set, polyamide, Load capacity 2550 kg / castor set	A	366,-	15,-	381,-
Skip Body Welded Oil and Watertight	A	116,-	0,-	116,-
SK 2100, painted	A	1963,-	461,-	2424,-
Lid, galvanized	A	347,-	36,-	383,-
Castor Set, polyamide, Load capacity 2550 kg / castor set	A	366,-	15,-	381,-
Skip Body Welded Oil and Watertight	A	116,-	0,-	116,-
SK 2100, hot-dip galvanized	A	2646,-	461,-	3107,-
Lid, galvanized	A	347,-	36,-	383,-
Castor Set, polyamide, Load capacity 2550 kg / castor set	A	366,-	15,-	381,-
Skip Body Welded Oil and Watertight	A	116,-	0,-	116,-
Broom Type SKB	Category	Price	Freight charges	Price including freight charges
SKB 100, painted	A	925,-	127,-	1052,-
SKB 150, painted	A	1156,-	127,-	1283,-
SKB 200, painted	A	1425,-	127,-	1552,-
Broom Type SKB-0	Category	Price	Freight charges	Price including freight charges
SKB-0 100, painted	A	635,-	127,-	762,-
SKB-0 150, painted	A	867,-	127,-	994,-
SKB-0 200, painted	A	1136,-	127,-	1263,-
Swarf Tipping Skip Type SKK	Category	Price	Freight charges	Price including freight charges
SKK 250, painted	E	515,-	127,-	642,-
Lid, galvanized	E	131,-	15,-	146,-
Castor Set, polyamide, Load capacity 1050 kg / castor set	A	131,-	15,-	146,-
Castor Set, solid rubber, Load capacity 615 kg / castor set	E	99,-	15,-	114,-
SKK 250, hot-dip galvanized	E	563,-	127,-	690,-
Lid, galvanized	E	131,-	15,-	146,-
Castor Set, polyamide, Load capacity 1050 kg / castor set	A	131,-	15,-	146,-
Castor Set, solid rubber, Load capacity 615 kg / castor set	E	99,-	15,-	114,-
SKK 400, painted	E	579,-	127,-	706,-
Lid, galvanized	E	150,-	16,-	166,-
Castor Set, polyamide, Load capacity 1050 kg / castor set	A	131,-	15,-	146,-
Castor Set, solid rubber, Load capacity 615 kg / castor set	E	99,-	15,-	114,-
SKK 400, hot-dip galvanized	E	627,-	127,-	754,-

Prices in EUR, valid EXW DE-46354 Südlohn, DE-38820 Halberstadt, unpacked
Freight charges valid CPT Finland, islands and oversea territories excluded

Price List 0424 en-FI

Forklift Truck Attachments



Swarf Tipping Skip Type SKK	Category	Price	Freight charges	Price including freight charges
Lid, galvanized	E	150,-	16,-	166,-
Castor Set, polyamide, Load capacity 1050 kg / castor set	A	131,-	15,-	146,-
Castor Set, solid rubber, Load capacity 615 kg / castor set	E	99,-	15,-	114,-
SKK 600, painted	E	787,-	179,-	966,-
Lid, galvanized	E	167,-	20,-	187,-
Castor Set, polyamide, Load capacity 1050 kg / castor set	A	131,-	15,-	146,-
Castor Set, solid rubber, Load capacity 615 kg / castor set	E	99,-	15,-	114,-
SKK 600, hot-dip galvanized	E	883,-	179,-	1062,-
Lid, galvanized	E	167,-	20,-	187,-
Castor Set, polyamide, Load capacity 1050 kg / castor set	A	131,-	15,-	146,-
Castor Set, solid rubber, Load capacity 615 kg / castor set	E	99,-	15,-	114,-
SKK 800, painted	E	842,-	179,-	1021,-
Lid, galvanized	E	174,-	21,-	195,-
Castor Set, polyamide, Load capacity 1050 kg / castor set	A	131,-	15,-	146,-
Castor Set, solid rubber, Load capacity 615 kg / castor set	E	99,-	15,-	114,-
SKK 800, hot-dip galvanized	E	946,-	179,-	1125,-
Lid, galvanized	E	174,-	21,-	195,-
Castor Set, polyamide, Load capacity 1050 kg / castor set	A	131,-	15,-	146,-
Castor Set, solid rubber, Load capacity 615 kg / castor set	E	99,-	15,-	114,-
SKK 1000, painted	E	898,-	179,-	1077,-
Lid, galvanized	E	186,-	22,-	208,-
Castor Set, polyamide, Load capacity 1050 kg / castor set	A	131,-	15,-	146,-
Castor Set, solid rubber, Load capacity 615 kg / castor set	E	99,-	15,-	114,-
SKK 1000, hot-dip galvanized	E	1027,-	179,-	1206,-
Lid, galvanized	E	186,-	22,-	208,-
Castor Set, polyamide, Load capacity 1050 kg / castor set	A	131,-	15,-	146,-
Castor Set, solid rubber, Load capacity 615 kg / castor set	E	99,-	15,-	114,-

Swarf Tilting Container Type SKM	Category	Price	Freight charges	Price including freight charges
SKM 30, painted	A	917,-	179,-	1096,-
Lid, galvanized	A	100,-	18,-	118,-
SKM 30, hot-dip galvanized	A	1109,-	179,-	1288,-
Lid, galvanized	A	100,-	18,-	118,-
SKM 50, painted	A	1178,-	179,-	1357,-
Lid, galvanized	A	152,-	28,-	180,-
SKM 50, hot-dip galvanized	A	1428,-	179,-	1607,-
Lid, galvanized	A	152,-	28,-	180,-
SKM 75, painted	A	1419,-	179,-	1598,-
Lid, galvanized	A	169,-	33,-	202,-
SKM 75, hot-dip galvanized	A	1729,-	258,-	1987,-
Lid, galvanized	A	169,-	33,-	202,-

Swarf Tipping Skip Type SKN	Category	Price	Freight charges	Price including freight charges
SKN 250, painted	E	515,-	127,-	642,-
Lid, galvanized	E	131,-	15,-	146,-

Prices in EUR, valid EXW DE-46354 Südlohn, DE-38820 Halberstadt, unpacked
 Freight charges valid CPT Finland, islands and oversea territories excluded

Price List 0424 en-FI

Forklift Truck Attachments



Swarf Tipping Skip Type SKN	Category	Price	Freight charges	Price including freight charges
Castor Set, polyamide, Load capacity 1050 kg / castor set	A	131,-	15,-	146,-
Castor Set, solid rubber, Load capacity 615 kg / castor set	E	99,-	15,-	114,-
SKN 250, hot-dip galvanized	E	563,-	127,-	690,-
Lid, galvanized	E	131,-	15,-	146,-
Castor Set, polyamide, Load capacity 1050 kg / castor set	A	131,-	15,-	146,-
Castor Set, solid rubber, Load capacity 615 kg / castor set	E	99,-	15,-	114,-
SKN 400, painted	E	579,-	127,-	706,-
Lid, galvanized	E	150,-	16,-	166,-
Castor Set, polyamide, Load capacity 1050 kg / castor set	A	131,-	15,-	146,-
Castor Set, solid rubber, Load capacity 615 kg / castor set	E	99,-	15,-	114,-
SKN 400, hot-dip galvanized	E	627,-	127,-	754,-
Lid, galvanized	E	150,-	16,-	166,-
Castor Set, polyamide, Load capacity 1050 kg / castor set	A	131,-	15,-	146,-
Castor Set, solid rubber, Load capacity 615 kg / castor set	E	99,-	15,-	114,-
Swarf Tipping Skip Type SKS	Category	Price	Freight charges	Price including freight charges
SKS 400, painted	E	914,-	179,-	1093,-
SKS 550, painted	E	978,-	179,-	1157,-
SKS 700, painted	E	1035,-	179,-	1214,-
Swarf Barrow Tipper Type SKW-ET	Category	Price	Freight charges	Price including freight charges
SKW-ET 250, painted	E	616,-	127,-	743,-
Lid, galvanized	E	131,-	15,-	146,-
SKW-ET 250, hot-dip galvanized	E	942,-	127,-	1069,-
Lid, galvanized	E	131,-	15,-	146,-
SKW-ET 400, painted	E	673,-	127,-	800,-
Lid, galvanized	E	150,-	16,-	166,-
SKW-ET 400, hot-dip galvanized	E	1034,-	127,-	1161,-
Lid, galvanized	E	150,-	16,-	166,-
SKW-ET 600, painted	E	822,-	179,-	1001,-
Lid, galvanized	E	167,-	20,-	187,-
SKW-ET 600, hot-dip galvanized	E	1191,-	179,-	1370,-
Lid, galvanized	E	167,-	20,-	187,-
SKW-ET 1000, painted	E	997,-	179,-	1176,-
Lid, galvanized	E	186,-	22,-	208,-
SKW-ET 1000, hot-dip galvanized	E	1587,-	179,-	1766,-
Lid, galvanized	E	186,-	22,-	208,-
Mini Swarf Tilting Container Type SMGU	Category	Price	Freight charges	Price including freight charges
SMGU 230, painted	A	665,-	127,-	792,-
Lid, galvanized	A	126,-	18,-	144,-
Castor Set, polyamide, Load capacity 1050 kg / castor set	A	150,-	15,-	165,-
SMGU 230, hot-dip galvanized	A	748,-	179,-	927,-
Lid, galvanized	A	126,-	18,-	144,-
Castor Set, polyamide, Load capacity 1050 kg / castor set	A	150,-	15,-	165,-

Prices in EUR, valid EXW DE-46354 Südlohn, DE-38820 Halberstadt, unpacked
Freight charges valid CPT Finland, islands and oversea territories excluded

Price List 0424 en-FI

Forklift Truck Attachments



Mini Swarf Tilting Container Type SMGU	Category	Price	Freight charges	Price including freight charges
SMGU 270, painted	A	718,-	179,-	897,-
Lid, galvanized	A	126,-	18,-	144,-
Castor Set, polyamide, Load capacity 1050 kg / castor set	A	150,-	15,-	165,-
SMGU 270, hot-dip galvanized	A	821,-	179,-	1000,-
Lid, galvanized	A	126,-	18,-	144,-
Castor Set, polyamide, Load capacity 1050 kg / castor set	A	150,-	15,-	165,-
SMGU 460, painted	A	903,-	179,-	1082,-
Lid, galvanized	A	163,-	22,-	185,-
Castor Set, polyamide, Load capacity 1050 kg / castor set	A	150,-	15,-	165,-
SMGU 460, hot-dip galvanized	A	1051,-	179,-	1230,-
Lid, galvanized	A	163,-	22,-	185,-
Castor Set, polyamide, Load capacity 1050 kg / castor set	A	150,-	15,-	165,-
SMGU 610, painted	A	1005,-	179,-	1184,-
Lid, galvanized	A	174,-	26,-	200,-
Castor Set, polyamide, Load capacity 1050 kg / castor set	A	150,-	15,-	165,-
SMGU 610, hot-dip galvanized	A	1168,-	179,-	1347,-
Lid, galvanized	A	174,-	26,-	200,-
Castor Set, polyamide, Load capacity 1050 kg / castor set	A	150,-	15,-	165,-

Silo Container Type SR	Category	Price	Freight charges	Price including freight charges
SR 375, painted	E	815,-	127,-	942,-
Lid, galvanized	E	126,-	33,-	159,-
SR 375, hot-dip galvanized	E	1530,-	127,-	1657,-
Lid, galvanized	E	126,-	33,-	159,-
SR 600, painted	E	1012,-	179,-	1191,-
Lid, galvanized	E	126,-	33,-	159,-
SR 600, hot-dip galvanized	E	1740,-	179,-	1919,-
Lid, galvanized	E	126,-	33,-	159,-

Silo Container Type SR-D	Category	Price	Freight charges	Price including freight charges
SR-D 375, painted	E	815,-	127,-	942,-
Lid, galvanized	E	126,-	33,-	159,-
SR-D 375, hot-dip galvanized	E	1530,-	127,-	1657,-
Lid, galvanized	E	126,-	33,-	159,-
SR-D 600, painted	E	1012,-	179,-	1191,-
Lid, galvanized	E	126,-	33,-	159,-
SR-D 600, hot-dip galvanized	E	1740,-	179,-	1919,-
Lid, galvanized	E	126,-	33,-	159,-

Silo Container Type SRE	Category	Price	Freight charges	Price including freight charges
SRE 375, painted	E	929,-	179,-	1108,-
Lid, galvanized	E	126,-	33,-	159,-
SRE 375, hot-dip galvanized	E	1664,-	179,-	1843,-
Lid, galvanized	E	126,-	33,-	159,-
SRE 600, painted	E	1131,-	179,-	1310,-

Prices in EUR, valid EXW DE-46354 Südlohn, DE-38820 Halberstadt, unpacked
 Freight charges valid CPT Finland, islands and oversea territories excluded

Price List 0424 en-FI

Forklift Truck Attachments



Silo Container Type SRE	Category	Price	Freight charges	Price including freight charges
Lid, galvanized	E	126,-	33,-	159,-
SRE 600, hot-dip galvanized	E	1794,-	179,-	1973,-
Lid, galvanized	E	126,-	33,-	159,-
Silo Container Type SRE-D	Category	Price	Freight charges	Price including freight charges
SRE-D 375, painted	E	929,-	127,-	1056,-
Lid, galvanized	E	126,-	33,-	159,-
SRE-D 375, hot-dip galvanized	E	1664,-	179,-	1843,-
Lid, galvanized	E	126,-	33,-	159,-
SRE-D 600, painted	E	1131,-	179,-	1310,-
Lid, galvanized	E	126,-	33,-	159,-
SRE-D 600, hot-dip galvanized	E	1794,-	179,-	1973,-
Lid, galvanized	E	126,-	33,-	159,-
Forklift Tender System Type STS	Category	Price	Freight charges	Price including freight charges
STS 2,5, painted	C	3726,-	on request	on request
STS 5,0, painted	C	4392,-	on request	on request
Spreader Type STW	Category	Price	Freight charges	Price including freight charges
STW 100, painted	A	1174,-	127,-	1301,-
Tarpaulin	A	112,-	10,-	122,-
STW 260, painted	A	2074,-	127,-	2201,-
Tarpaulin	A	117,-	10,-	127,-
Traverse for Big Bags Type TBB	Category	Price	Freight charges	Price including freight charges
TBB, painted	A	870,-	127,-	997,-
Traverse For Big Bags Type TBB-E	Category	Price	Freight charges	Price including freight charges
TBB-E, painted	A	823,-	127,-	950,-
Traverse For Big Bags Type TBB-W	Category	Price	Freight charges	Price including freight charges
TBB-W, painted	A	1056,-	127,-	1183,-
Mini Lifting Beam Type TM	Category	Price	Freight charges	Price including freight charges
TM 200-500, hot-dip galvanized	F	385,-	70,-	455,-
TM 400-800, hot-dip galvanized	F	414,-	70,-	484,-
TM 800-1200, hot-dip galvanized	F	546,-	70,-	616,-
Tilting Container Type TRIO	Category	Price	Freight charges	Price including freight charges
TRIO, painted	A	2254,-	331,-	2585,-
Lid, galvanized	A	207,-	26,-	233,-
Castor Set, polyamide, Load capacity 1350 kg / castor set	A	185,-	15,-	200,-
Set of 5 self-adhesive stickers with symbols for: glass, paper, plastic, metal, residual waste	A	28,-	on request	on request

Prices in EUR, valid EXW DE-46354 Südlohn, DE-38820 Halberstadt, unpacked
Freight charges valid CPT Finland, islands and oversea territories excluded

Price List 0424 en-FI

Forklift Truck Attachments



Universal Container Type UC	Category	Price	Freight charges	Price including freight charges
UC 500, painted	A	652,-	127,-	779,-
Lid, galvanized	A	162,-	16,-	178,-
Castor Set, polyamide, Load capacity 1350 kg / castor set	A	185,-	15,-	200,-
Pick-up Profile on Type UC for Traverse Type UCT	A	102,-	0,-	102,-
UC 500, hot-dip galvanized	A	744,-	179,-	923,-
Lid, galvanized	A	162,-	16,-	178,-
Castor Set, polyamide, Load capacity 1350 kg / castor set	A	185,-	15,-	200,-
Pick-up Profile on Type UC for Traverse Type UCT	A	102,-	0,-	102,-
UC 750, painted	A	709,-	179,-	888,-
Lid, galvanized	A	162,-	16,-	178,-
Castor Set, polyamide, Load capacity 1350 kg / castor set	A	185,-	15,-	200,-
Pick-up Profile on Type UC for Traverse Type UCT	A	102,-	0,-	102,-
UC 750, hot-dip galvanized	A	824,-	179,-	1003,-
Lid, galvanized	A	162,-	16,-	178,-
Castor Set, polyamide, Load capacity 1350 kg / castor set	A	185,-	15,-	200,-
Pick-up Profile on Type UC for Traverse Type UCT	A	102,-	0,-	102,-
UC 1000, painted	A	744,-	179,-	923,-
Lid, galvanized	A	162,-	16,-	178,-
Castor Set, polyamide, Load capacity 1350 kg / castor set	A	185,-	15,-	200,-
Pick-up Profile on Type UC for Traverse Type UCT	A	102,-	0,-	102,-
UC 1000, hot-dip galvanized	A	863,-	179,-	1042,-
Lid, galvanized	A	162,-	16,-	178,-
Castor Set, polyamide, Load capacity 1350 kg / castor set	A	185,-	15,-	200,-
Pick-up Profile on Type UC for Traverse Type UCT	A	102,-	0,-	102,-
Hydraulic Traverse Type UCT	Category	Price	Freight charges	Price including freight charges
UCT, painted	A	2644,-	258,-	2902,-
Tilting Container Type VD	Category	Price	Freight charges	Price including freight charges
VD 500, painted	A	767,-	179,-	946,-
Lid, galvanized	A	139,-	18,-	157,-
Castor Set, polyamide, Load capacity 1350 kg / castor set	A	185,-	15,-	200,-
Skip Body Welded Oil and Watertight	A	75,-	0,-	75,-
VD 500, hot-dip galvanized	A	998,-	179,-	1177,-
Lid, galvanized	A	139,-	18,-	157,-
Castor Set, polyamide, Load capacity 1350 kg / castor set	A	185,-	15,-	200,-
Skip Body Welded Oil and Watertight	A	75,-	0,-	75,-
VD 650, painted	A	838,-	179,-	1017,-
Lid, galvanized	A	139,-	18,-	157,-
Castor Set, polyamide, Load capacity 1350 kg / castor set	A	185,-	15,-	200,-
Skip Body Welded Oil and Watertight	A	75,-	0,-	75,-
VD 650, hot-dip galvanized	A	1091,-	179,-	1270,-
Lid, galvanized	A	139,-	18,-	157,-
Castor Set, polyamide, Load capacity 1350 kg / castor set	A	185,-	15,-	200,-
Skip Body Welded Oil and Watertight	A	75,-	0,-	75,-

Prices in EUR, valid EXW DE-46354 Südlohn, DE-38820 Halberstadt, unpacked
Freight charges valid CPT Finland, islands and oversea territories excluded

Price List 0424 en-FI

Forklift Truck Attachments



Tilting Container Type VD	Category	Price	Freight charges	Price including freight charges
VD 800, painted	A	957,-	179,-	1136,-
Lid, galvanized	A	168,-	22,-	190,-
Castor Set, polyamide, Load capacity 1350 kg / castor set	A	185,-	15,-	200,-
Skip Body Welded Oil and Watertight	A	75,-	0,-	75,-
VD 800, hot-dip galvanized	A	1300,-	179,-	1479,-
Lid, galvanized	A	168,-	22,-	190,-
Castor Set, polyamide, Load capacity 1350 kg / castor set	A	185,-	15,-	200,-
Skip Body Welded Oil and Watertight	A	75,-	0,-	75,-
VD 1000, painted	A	1005,-	179,-	1184,-
Lid, galvanized	A	168,-	22,-	190,-
Castor Set, polyamide, Load capacity 1350 kg / castor set	A	185,-	15,-	200,-
Skip Body Welded Oil and Watertight	A	116,-	0,-	116,-
VD 1000, hot-dip galvanized	A	1419,-	179,-	1598,-
Lid, galvanized	A	168,-	22,-	190,-
Castor Set, polyamide, Load capacity 1350 kg / castor set	A	185,-	15,-	200,-
Skip Body Welded Oil and Watertight	A	116,-	0,-	116,-
Tilting Container Type VG	Category	Price	Freight charges	Price including freight charges
VG 550, painted	A	784,-	179,-	963,-
Lid, galvanized	A	139,-	18,-	157,-
Castor Set, polyamide, Load capacity 1350 kg / castor set	A	185,-	15,-	200,-
Skip Body Welded Oil and Watertight	A	75,-	0,-	75,-
VG 550, hot-dip galvanized	A	1022,-	179,-	1201,-
Lid, galvanized	A	139,-	18,-	157,-
Castor Set, polyamide, Load capacity 1350 kg / castor set	A	185,-	15,-	200,-
Skip Body Welded Oil and Watertight	A	75,-	0,-	75,-
VG 700, painted	A	929,-	179,-	1108,-
Lid, galvanized	A	139,-	18,-	157,-
Castor Set, polyamide, Load capacity 1350 kg / castor set	A	185,-	15,-	200,-
Skip Body Welded Oil and Watertight	A	75,-	0,-	75,-
VG 700, hot-dip galvanized	A	1209,-	179,-	1388,-
Lid, galvanized	A	139,-	18,-	157,-
Castor Set, polyamide, Load capacity 1350 kg / castor set	A	185,-	15,-	200,-
Skip Body Welded Oil and Watertight	A	75,-	0,-	75,-
VG 900, painted	A	1024,-	179,-	1203,-
Lid, galvanized	A	168,-	22,-	190,-
Castor Set, polyamide, Load capacity 1350 kg / castor set	A	185,-	15,-	200,-
Skip Body Welded Oil and Watertight	A	75,-	0,-	75,-
VG 900, hot-dip galvanized	A	1451,-	179,-	1630,-
Lid, galvanized	A	168,-	22,-	190,-
Castor Set, polyamide, Load capacity 1350 kg / castor set	A	185,-	15,-	200,-
Skip Body Welded Oil and Watertight	A	75,-	0,-	75,-
VG 1100, painted	A	1111,-	179,-	1290,-
Lid, galvanized	A	168,-	22,-	190,-
Castor Set, polyamide, Load capacity 1350 kg / castor set	A	185,-	15,-	200,-
Skip Body Welded Oil and Watertight	A	116,-	0,-	116,-

Prices in EUR, valid EXW DE-46354 Südlohn, DE-38820 Halberstadt, unpacked
Freight charges valid CPT Finland, islands and oversea territories excluded

Price List 0424 en-FI

Forklift Truck Attachments



Tilting Container Type VG	Category	Price	Freight charges	Price including freight charges
VG 1100, hot-dip galvanized	A	1508,-	179,-	1687,-
Lid, galvanized	A	168,-	22,-	190,-
Castor Set, polyamide, Load capacity 1350 kg / castor set	A	185,-	15,-	200,-
Skip Body Welded Oil and Watertight	A	116,-	0,-	116,-

Prices in EUR, valid EXW DE-46354 Südlohn, DE-38820 Halberstadt, unpacked
 Freight charges valid CPT Finland, islands and oversea territories excluded

Price List 0424 en-FI Workspace Material Handling

Battery Charging Station Type BL	Category	Price	Freight charges	Price including freight charges
BL 1, painted	A	1373,-	127,-	1500,-
Fire Extinguisher	A	197,-	14,-	211,-
Fixture for water receptacle	A	61,-	13,-	74,-
BL 2, painted	A	1737,-	127,-	1864,-
Fire Extinguisher	A	197,-	14,-	211,-
Fixture for water receptacle	A	61,-	13,-	74,-
BL 3, painted	A	1737,-	127,-	1864,-
Fire Extinguisher	A	197,-	14,-	211,-
Fixture for water receptacle	A	61,-	13,-	74,-
Drum Jack Roller Type FHR	Category	Price	Freight charges	Price including freight charges
FHR 600 F, painted	B	3174,-	258,-	3432,-
FHR 600 F, hot-dip galvanized	B	3517,-	258,-	3775,-
FHR 600 G, painted	B	2528,-	179,-	2707,-
FHR 600 G, hot-dip galvanized	B	2790,-	179,-	2969,-
FHR 600 K, painted	B	2528,-	179,-	2707,-
FHR 600 K, hot-dip galvanized	B	2790,-	179,-	2969,-
Drum Trolley Type FP-L	Category	Price	Freight charges	Price including freight charges
FP-L, galvanized	C	602,-	127,-	729,-
Drum Trolley Type FP-V	Category	Price	Freight charges	Price including freight charges
FP-V, galvanized	C	584,-	127,-	711,-
Drum Dolly Type FRW	Category	Price	Freight charges	Price including freight charges
FRW-I, hot-dip galvanized	A	112,-	70,-	182,-
FRW-II, hot-dip galvanized	A	148,-	70,-	218,-
FRW-III, hot-dip galvanized	A	200,-	127,-	327,-
Dolly Type GRW	Category	Price	Freight charges	Price including freight charges
GRW-I, hot-dip galvanized	F	121,-	70,-	191,-
Handle, galvanized	F	53,-	10,-	63,-
GRW-II, hot-dip galvanized	F	138,-	70,-	208,-
Handle, galvanized	F	53,-	10,-	63,-
GRW-III, hot-dip galvanized	F	172,-	127,-	299,-
Handle, galvanized	F	53,-	10,-	63,-
Gas Cylinder Wall Bracket Type GWH	Category	Price	Freight charges	Price including freight charges
GWH 140-I, hot-dip galvanized	F	25,-	70,-	95,-
GWH 140-II, hot-dip galvanized	F	38,-	70,-	108,-

Prices in EUR, valid EXW DE-46354 Südlohn, DE-38820 Halberstadt, unpacked
Freight charges valid CPT Finland, islands and oversea territories excluded

Price List 0424 en-FI

Workspace Material Handling



Gas Cylinder Wall Bracket Type GWH	Category	Price	Freight charges	Price including freight charges
GWH 140-III, hot-dip galvanized	F	57,-	70,-	127,-
GWH 230-I, hot-dip galvanized	F	27,-	70,-	97,-
GWH 230-II, hot-dip galvanized	F	41,-	70,-	111,-
GWH 230-III, hot-dip galvanized	F	62,-	70,-	132,-
GWH 320-I, hot-dip galvanized	F	28,-	70,-	98,-
GWH 320-II, hot-dip galvanized	F	46,-	70,-	116,-
GWH 320-III, hot-dip galvanized	F	69,-	70,-	139,-
Fork Lifter Type GZH-A	Category	Price	Freight charges	Price including freight charges
GZH-A, painted	F	110,-	70,-	180,-
Fork Lifter Type GZH-B	Category	Price	Freight charges	Price including freight charges
GZH-B, painted	F	110,-	70,-	180,-
Fork Pallet Type GZP	Category	Price	Freight charges	Price including freight charges
GZP 4, hot-dip galvanized	A	155,-	127,-	282,-
GZP 8, hot-dip galvanized	A	194,-	127,-	321,-
IBC Residue Drainer Type IR	Category	Price	Freight charges	Price including freight charges
IR-1, hot-dip galvanized	A	575,-	127,-	702,-
IR-2, hot-dip galvanized	A	686,-	127,-	813,-
Tilting Canister Stand Type KAH	Category	Price	Freight charges	Price including freight charges
KAH-5, galvanized	A	92,-	70,-	162,-
KAH-25, galvanized	A	105,-	70,-	175,-
KAH-60, galvanized	A	135,-	70,-	205,-
Sheet Metal Storage Units With Trays Type KBR	Category	Price	Freight charges	Price including freight charges
KBR 1, painted	A	5782,-	709,-	6491,-
KBR 2, painted	A	5997,-	on request	on request
KBR 3, painted	A	6441,-	on request	on request
Liftomat Type L/E	Category	Price	Freight charges	Price including freight charges
L/E 1300, painted	B	4742,-	258,-	5000,-
L/E 1300, hot-dip galvanized	B	5389,-	258,-	5647,-
Liftomat Type L/M	Category	Price	Freight charges	Price including freight charges
L/M 600, painted	B	3432,-	179,-	3611,-
L/M 600, hot-dip galvanized	B	3888,-	179,-	4067,-
L/M 1300, painted	B	3851,-	258,-	4109,-
L/M 1300, hot-dip galvanized	B	4414,-	258,-	4672,-
Security Cage for Storage Type LBM	Category	Price	Freight charges	Price including freight charges
LBM 1500, hot-dip galvanized	A	1934,-	258,-	2192,-

Prices in EUR, valid EXW DE-46354 Südlohn, DE-38820 Halberstadt, unpacked
Freight charges valid CPT Finland, islands and oversea territories excluded

Price List 0424 en-FI

Workspace Material Handling



Security Cage for Storage Type LBM	Category	Price	Freight charges	Price including freight charges
LBM 3000, hot-dip galvanized	A	2654,-	461,-	3115,-
LBM 4500, hot-dip galvanized	A	3373,-	461,-	3834,-
LBM 6000, hot-dip galvanized	A	4088,-	593,-	4681,-
Wheelie Bin Tipping Station Type MKS	Category	Price	Freight charges	Price including freight charges
MKS-12V, painted	A	3618,-	179,-	3797,-
External Charger for 12 V electro-hydraulic constructions	A	194,-	15,-	209,-
MKS-230V, painted	A	3618,-	179,-	3797,-
Wheelie Bin Tipping Station Type MKS-F	Category	Price	Freight charges	Price including freight charges
MKS-F, painted	A	2375,-	179,-	2554,-
Wheelie Bin Tipping Station Type MKS-H	Category	Price	Freight charges	Price including freight charges
MKS-H, painted	A	2375,-	179,-	2554,-
Stillage Transport Cage Type MTP	Category	Price	Freight charges	Price including freight charges
MTP 2000, hot-dip galvanized	A	2121,-	258,-	2379,-
Tension belt	A	46,-	8,-	54,-
MTP 3000, hot-dip galvanized	A	2680,-	331,-	3011,-
Tension belt	A	46,-	8,-	54,-
Two-Wheeled Pallet Picker Type PZ	Category	Price	Freight charges	Price including freight charges
PZ, hot-dip galvanized	F	440,-	70,-	510,-
Tyre Fitting Equipment Type RM	Category	Price	Freight charges	Price including freight charges
RM, painted	F	442,-	70,-	512,-
Surround for Waste Bins Type SECOMAT	Category	Price	Freight charges	Price including freight charges
S 120-D, powder coated	B	626,-	127,-	753,-
S 120-K, powder coated	B	702,-	127,-	829,-
S 240-D, powder coated	B	719,-	127,-	846,-
S 240-K, powder coated	B	787,-	127,-	914,-
S1100, powder-coated	B	727,-	127,-	854,-
S1100-W, powder-coated	B	956,-	179,-	1135,-
S1100-WT, powder-coated	B	1200,-	179,-	1379,-
S1100-WTB, powder-coated	B	1295,-	188,-	1483,-
S4USE, powder coated	C	2138,-	258,-	2396,-
Gas Cylinder Pallet Type SFP	Category	Price	Freight charges	Price including freight charges
SFP 4, hot-dip galvanized	C	334,-	127,-	461,-
SFP 8, hot-dip galvanized	C	444,-	127,-	571,-
Loading Support Type VS	Category	Price	Freight charges	Price including freight charges
VS, painted	C	739,-	179,-	918,-

Prices in EUR, valid EXW DE-46354 Südlohn, DE-38820 Halberstadt, unpacked
Freight charges valid CPT Finland, islands and oversea territories excluded

Price List 0424 en-FI Environment / Storage

Sump Trays Type SERIES 2000	Category	Price	Freight charges	Price including freight charges
2000, painted	B	241,-	127,-	368,-
2001, hot-dip galvanized	B	278,-	127,-	405,-
2002, painted	B	275,-	127,-	402,-
2003, hot-dip galvanized	B	311,-	127,-	438,-
2008, painted	B	241,-	127,-	368,-
2009, hot-dip galvanized	B	289,-	127,-	416,-
2010, painted	B	290,-	127,-	417,-
Drum Support FA 60-1, hot-dip galvanized	B	105,-	15,-	120,-
Drum Support FA 60-2, hot-dip galvanized	B	114,-	18,-	132,-
Drum Support FA 60-3, hot-dip galvanized	B	133,-	21,-	154,-
Drum Support FA 200-1, hot-dip galvanized	B	114,-	15,-	129,-
Can Shelf Type GR-A, galvanized	B	133,-	70,-	203,-
Can Shelf Type GR-B, galvanized	B	133,-	70,-	203,-
Can Shelf Type GR-C, galvanized	B	133,-	70,-	203,-
2011, hot-dip galvanized	B	339,-	127,-	466,-
Drum Support FA 60-1, hot-dip galvanized	B	105,-	15,-	120,-
Drum Support FA 60-2, hot-dip galvanized	B	114,-	18,-	132,-
Drum Support FA 60-3, hot-dip galvanized	B	133,-	21,-	154,-
Drum Support FA 200-1, hot-dip galvanized	B	114,-	15,-	129,-
Can Shelf Type GR-A, galvanized	B	133,-	70,-	203,-
Can Shelf Type GR-B, galvanized	B	133,-	70,-	203,-
Can Shelf Type GR-C, galvanized	B	133,-	70,-	203,-
2016, painted	B	253,-	127,-	380,-
2017, hot-dip galvanized	B	303,-	127,-	430,-
2018, painted	B	304,-	127,-	431,-
Drum Support FA 60-1, hot-dip galvanized	B	105,-	15,-	120,-
Drum Support FA 60-2, hot-dip galvanized	B	114,-	18,-	132,-
Drum Support FA 60-3, hot-dip galvanized	B	133,-	21,-	154,-
Drum Support FA 200-1, hot-dip galvanized	B	114,-	15,-	129,-
Can Shelf Type GR-A, galvanized	B	133,-	70,-	203,-
Can Shelf Type GR-B, galvanized	B	133,-	70,-	203,-
Can Shelf Type GR-C, galvanized	B	133,-	70,-	203,-
2019, hot-dip galvanized	B	352,-	127,-	479,-
Drum Support FA 60-1, hot-dip galvanized	B	105,-	15,-	120,-
Drum Support FA 60-2, hot-dip galvanized	B	114,-	18,-	132,-
Drum Support FA 60-3, hot-dip galvanized	B	133,-	21,-	154,-
Drum Support FA 200-1, hot-dip galvanized	B	114,-	15,-	129,-
Can Shelf Type GR-A, galvanized	B	133,-	70,-	203,-
Can Shelf Type GR-B, galvanized	B	133,-	70,-	203,-
Can Shelf Type GR-C, galvanized	B	133,-	70,-	203,-
2026, painted	B	253,-	127,-	380,-
2027, hot-dip galvanized	B	299,-	127,-	426,-

Prices in EUR, valid EXW DE-46354 Südlohn, DE-38820 Halberstadt, unpacked
Freight charges valid CPT Finland, islands and oversea territories excluded

Price List 0424 en-FI

Environment / Storage



Sump Trays Type SERIES 2000	Category	Price	Freight charges	Price including freight charges
2028, painted	B	353,-	127,-	480,-
Drum Support FA 60-1, hot-dip galvanized	B	105,-	15,-	120,-
Drum Support FA 60-2, hot-dip galvanized	B	114,-	18,-	132,-
Drum Support FA 60-3, hot-dip galvanized	B	133,-	21,-	154,-
Drum Support FA 200-1, hot-dip galvanized	B	114,-	15,-	129,-
Drum Support FA 200-2, hot-dip galvanized	B	133,-	22,-	155,-
Can Shelf Type GR-A, galvanized	B	133,-	70,-	203,-
Can Shelf Type GR-B, galvanized	B	133,-	70,-	203,-
Can Shelf Type GR-C, galvanized	B	133,-	70,-	203,-
2029, hot-dip galvanized	B	398,-	127,-	525,-
Drum Support FA 60-1, hot-dip galvanized	B	105,-	15,-	120,-
Drum Support FA 60-2, hot-dip galvanized	B	114,-	18,-	132,-
Drum Support FA 60-3, hot-dip galvanized	B	133,-	21,-	154,-
Drum Support FA 200-1, hot-dip galvanized	B	114,-	15,-	129,-
Drum Support FA 200-2, hot-dip galvanized	B	133,-	22,-	155,-
Can Shelf Type GR-A, galvanized	B	133,-	70,-	203,-
Can Shelf Type GR-B, galvanized	B	133,-	70,-	203,-
Can Shelf Type GR-C, galvanized	B	133,-	70,-	203,-
2030, painted	B	265,-	127,-	392,-
2031, hot-dip galvanized	B	310,-	127,-	437,-
2032, painted	B	365,-	127,-	492,-
Drum Support FA 60-1, hot-dip galvanized	B	105,-	15,-	120,-
Drum Support FA 60-2, hot-dip galvanized	B	114,-	18,-	132,-
Drum Support FA 60-3, hot-dip galvanized	B	133,-	21,-	154,-
Drum Support FA 200-1, hot-dip galvanized	B	114,-	15,-	129,-
Drum Support FA 200-2, hot-dip galvanized	B	133,-	22,-	155,-
Can Shelf Type GR-A, galvanized	B	133,-	70,-	203,-
Can Shelf Type GR-B, galvanized	B	133,-	70,-	203,-
Can Shelf Type GR-C, galvanized	B	133,-	70,-	203,-
2033, hot-dip galvanized	B	411,-	127,-	538,-
Drum Support FA 60-1, hot-dip galvanized	B	105,-	15,-	120,-
Drum Support FA 60-2, hot-dip galvanized	B	114,-	18,-	132,-
Drum Support FA 60-3, hot-dip galvanized	B	133,-	21,-	154,-
Drum Support FA 200-1, hot-dip galvanized	B	114,-	15,-	129,-
Drum Support FA 200-2, hot-dip galvanized	B	133,-	22,-	155,-
Can Shelf Type GR-A, galvanized	B	133,-	70,-	203,-
Can Shelf Type GR-B, galvanized	B	133,-	70,-	203,-
Can Shelf Type GR-C, galvanized	B	133,-	70,-	203,-
2040, painted	B	339,-	127,-	466,-
2041, hot-dip galvanized	B	411,-	127,-	538,-
2042, painted	B	439,-	179,-	618,-
Drum Support FA 60-1, hot-dip galvanized	B	105,-	15,-	120,-
Drum Support FA 60-2, hot-dip galvanized	B	114,-	18,-	132,-
Drum Support FA 60-3, hot-dip galvanized	B	133,-	21,-	154,-
Can Shelf Type GR-A, galvanized	B	133,-	70,-	203,-
Can Shelf Type GR-B, galvanized	B	133,-	70,-	203,-

Prices in EUR, valid EXW DE-46354 Südlohn, DE-38820 Halberstadt, unpacked
Freight charges valid CPT Finland, islands and oversea territories excluded

Price List 0424 en-FI

Environment / Storage



Sump Trays Type SERIES 2000	Category	Price	Freight charges	Price including freight charges
Can Shelf Type GR-C, galvanized	B	133,-	70,-	203,-
2043, hot-dip galvanized	B	511,-	179,-	690,-
Drum Support FA 60-1, hot-dip galvanized	B	105,-	15,-	120,-
Drum Support FA 60-2, hot-dip galvanized	B	114,-	18,-	132,-
Drum Support FA 60-3, hot-dip galvanized	B	133,-	21,-	154,-
Can Shelf Type GR-A, galvanized	B	133,-	70,-	203,-
Can Shelf Type GR-B, galvanized	B	133,-	70,-	203,-
Can Shelf Type GR-C, galvanized	B	133,-	70,-	203,-
2048, painted	B	261,-	127,-	388,-
2049, hot-dip galvanized	B	305,-	127,-	432,-
2050, painted	B	356,-	127,-	483,-
Drum Support FA 60-1, hot-dip galvanized	B	105,-	15,-	120,-
Drum Support FA 60-2, hot-dip galvanized	B	114,-	18,-	132,-
Drum Support FA 60-3, hot-dip galvanized	B	133,-	21,-	154,-
Can Shelf Type GR-A, galvanized	B	133,-	70,-	203,-
Can Shelf Type GR-B, galvanized	B	133,-	70,-	203,-
Can Shelf Type GR-C, galvanized	B	133,-	70,-	203,-
2051, hot-dip galvanized	B	400,-	127,-	527,-
Drum Support FA 60-1, hot-dip galvanized	B	105,-	15,-	120,-
Drum Support FA 60-2, hot-dip galvanized	B	114,-	18,-	132,-
Drum Support FA 60-3, hot-dip galvanized	B	133,-	21,-	154,-
Can Shelf Type GR-A, galvanized	B	133,-	70,-	203,-
Can Shelf Type GR-B, galvanized	B	133,-	70,-	203,-
Can Shelf Type GR-C, galvanized	B	133,-	70,-	203,-
Sump Trays Type SERIES 2000/SW	Category	Price	Freight charges	Price including freight charges
2002/SW, painted	B	412,-	127,-	539,-
2003/SW, hot-dip galvanized	B	448,-	127,-	575,-
2018/SW, painted	B	452,-	179,-	631,-
Drum Support FA 60-1, hot-dip galvanized	B	105,-	15,-	120,-
Drum Support FA 60-2, hot-dip galvanized	B	114,-	18,-	132,-
Drum Support FA 60-3, hot-dip galvanized	B	133,-	21,-	154,-
Drum Support FA 200-1, hot-dip galvanized	B	114,-	15,-	129,-
Can Shelf Type GR-A, galvanized	B	133,-	70,-	203,-
Can Shelf Type GR-B, galvanized	B	133,-	70,-	203,-
Can Shelf Type GR-C, galvanized	B	133,-	70,-	203,-
2019/SW, hot-dip galvanized	B	499,-	179,-	678,-
Drum Support FA 60-1, hot-dip galvanized	B	105,-	15,-	120,-
Drum Support FA 60-2, hot-dip galvanized	B	114,-	18,-	132,-
Drum Support FA 60-3, hot-dip galvanized	B	133,-	21,-	154,-
Drum Support FA 200-1, hot-dip galvanized	B	114,-	15,-	129,-
Can Shelf Type GR-A, galvanized	B	133,-	70,-	203,-
Can Shelf Type GR-B, galvanized	B	133,-	70,-	203,-
Can Shelf Type GR-C, galvanized	B	133,-	70,-	203,-
2032/SW, painted	B	533,-	179,-	712,-
Drum Support FA 60-1, hot-dip galvanized	B	105,-	15,-	120,-

Prices in EUR, valid EXW DE-46354 Südlohn, DE-38820 Halberstadt, unpacked
Freight charges valid CPT Finland, islands and oversea territories excluded

Price List 0424 en-FI

Environment / Storage



Sump Trays Type SERIES 2000/SW	Category	Price	Freight charges	Price including freight charges
Drum Support FA 60-2, hot-dip galvanized	B	114,-	18,-	132,-
Drum Support FA 60-3, hot-dip galvanized	B	133,-	21,-	154,-
Drum Support FA 200-1, hot-dip galvanized	B	114,-	15,-	129,-
Drum Support FA 200-2, hot-dip galvanized	B	133,-	22,-	155,-
Can Shelf Type GR-A, galvanized	B	133,-	70,-	203,-
Can Shelf Type GR-B, galvanized	B	133,-	70,-	203,-
Can Shelf Type GR-C, galvanized	B	133,-	70,-	203,-
2033/SW, hot-dip galvanized	B	579,-	179,-	758,-
Drum Support FA 60-1, hot-dip galvanized	B	105,-	15,-	120,-
Drum Support FA 60-2, hot-dip galvanized	B	114,-	18,-	132,-
Drum Support FA 60-3, hot-dip galvanized	B	133,-	21,-	154,-
Drum Support FA 200-1, hot-dip galvanized	B	114,-	15,-	129,-
Drum Support FA 200-2, hot-dip galvanized	B	133,-	22,-	155,-
Can Shelf Type GR-A, galvanized	B	133,-	70,-	203,-
Can Shelf Type GR-B, galvanized	B	133,-	70,-	203,-
Can Shelf Type GR-C, galvanized	B	133,-	70,-	203,-
2042/SW, painted	B	661,-	229,-	890,-
Drum Support FA 60-1, hot-dip galvanized	B	105,-	15,-	120,-
Drum Support FA 60-2, hot-dip galvanized	B	114,-	18,-	132,-
Drum Support FA 60-3, hot-dip galvanized	B	133,-	21,-	154,-
Can Shelf Type GR-A, galvanized	B	133,-	70,-	203,-
Can Shelf Type GR-B, galvanized	B	133,-	70,-	203,-
Can Shelf Type GR-C, galvanized	B	133,-	70,-	203,-
2043/SW, hot-dip galvanized	B	734,-	229,-	963,-
Drum Support FA 60-1, hot-dip galvanized	B	105,-	15,-	120,-
Drum Support FA 60-2, hot-dip galvanized	B	114,-	18,-	132,-
Drum Support FA 60-3, hot-dip galvanized	B	133,-	21,-	154,-
Can Shelf Type GR-A, galvanized	B	133,-	70,-	203,-
Can Shelf Type GR-B, galvanized	B	133,-	70,-	203,-
Can Shelf Type GR-C, galvanized	B	133,-	70,-	203,-
Mobile Sump Trays Type SERIES 2000	Category	Price	Freight charges	Price including freight charges
2004, painted	B	570,-	127,-	697,-
Fixture and Tension Belt for 1 x 200 Litre Drum	B	46,-	9,-	55,-
2005, hot-dip galvanized	B	634,-	127,-	761,-
Fixture and Tension Belt for 1 x 200 Litre Drum	B	46,-	9,-	55,-
2020, painted	B	633,-	127,-	760,-
Fixture and Tension Belt for 2 x 200 Litre Drums	B	46,-	9,-	55,-
2021, hot-dip galvanized	B	692,-	127,-	819,-
Fixture and Tension Belt for 2 x 200 Litre Drums	B	46,-	9,-	55,-
2050 SR, painted	B	685,-	127,-	812,-
Fixture and Tension Belt for 3 x 200 Litre Drums	B	46,-	9,-	55,-
2051 SR, hot-dip galvanized	B	740,-	179,-	919,-
Fixture and Tension Belt for 3 x 200 Litre Drums	B	46,-	9,-	55,-

Prices in EUR, valid EXW DE-46354 Südlohn, DE-38820 Halberstadt, unpacked
Freight charges valid CPT Finland, islands and oversea territories excluded

Price List 0424 en-FI

Environment / Storage



Drum Shelves with Sump Trays Type SERIES 3000	Category	Price	Freight charges	Price including freight charges
3000, hot-dip galvanized	B	1054,-	179,-	1233,-
Retainer Bar	B	46,-	12,-	58,-
Rotating Support RA 200, hot-dip galvanized	B	93,-	10,-	103,-
Can Stand Type GS, hot-dip galvanized	B	62,-	18,-	80,-
Crash Guard	B	54,-	9,-	63,-
3001, hot-dip galvanized	B	887,-	179,-	1066,-
Retainer Bar	B	46,-	12,-	58,-
Rotating Support RA 200, hot-dip galvanized	B	93,-	10,-	103,-
Can Stand Type GS, hot-dip galvanized	B	62,-	18,-	80,-
Crash Guard	B	54,-	9,-	63,-
3002, hot-dip galvanized	B	1255,-	229,-	1484,-
Retainer Bar	B	46,-	12,-	58,-
Rotating Support RA 200, hot-dip galvanized	B	93,-	10,-	103,-
Can Stand Type GS, hot-dip galvanized	B	62,-	18,-	80,-
Crash Guard	B	54,-	9,-	63,-
3003, hot-dip galvanized	B	1063,-	229,-	1292,-
Retainer Bar	B	46,-	12,-	58,-
Rotating Support RA 200, hot-dip galvanized	B	93,-	10,-	103,-
Can Stand Type GS, hot-dip galvanized	B	62,-	18,-	80,-
Crash Guard	B	54,-	9,-	63,-
3004, hot-dip galvanized	B	1298,-	179,-	1477,-
Retainer Bar	B	46,-	12,-	58,-
Rotating Support RA 60, hot-dip galvanized	B	93,-	9,-	102,-
Can Stand Type GS, hot-dip galvanized	B	62,-	18,-	80,-
Crash Guard	B	54,-	9,-	63,-
3005, hot-dip galvanized	B	1174,-	179,-	1353,-
Retainer Bar	B	46,-	12,-	58,-
Rotating Support RA 60, hot-dip galvanized	B	93,-	9,-	102,-
Can Stand Type GS, hot-dip galvanized	B	62,-	18,-	80,-
Crash Guard	B	54,-	9,-	63,-
3006, hot-dip galvanized	B	1639,-	308,-	1947,-
Retainer Bar	B	46,-	12,-	58,-
Rotating Support RA 60, hot-dip galvanized	B	93,-	9,-	102,-
Can Stand Type GS, hot-dip galvanized	B	62,-	18,-	80,-
Crash Guard	B	54,-	9,-	63,-
3007, hot-dip galvanized	B	1400,-	229,-	1629,-
Retainer Bar	B	46,-	12,-	58,-
Rotating Support RA 60, hot-dip galvanized	B	93,-	9,-	102,-
Can Stand Type GS, hot-dip galvanized	B	62,-	18,-	80,-
Crash Guard	B	54,-	9,-	63,-
3010, hot-dip galvanized	B	1244,-	229,-	1473,-
Retainer Bar	B	46,-	12,-	58,-
Rotating Support RA 200, hot-dip galvanized	B	93,-	10,-	103,-
Can Stand Type GS, hot-dip galvanized	B	62,-	18,-	80,-
Crash Guard	B	54,-	9,-	63,-
3011, hot-dip galvanized	B	1034,-	229,-	1263,-

Prices in EUR, valid EXW DE-46354 Südlohn, DE-38820 Halberstadt, unpacked
Freight charges valid CPT Finland, islands and oversea territories excluded

Price List 0424 en-FI

Environment / Storage



Drum Shelves with Sump Trays Type SERIES 3000	Category	Price	Freight charges	Price including freight charges
Retainer Bar	B	46,-	12,-	58,-
Rotating Support RA 200, hot-dip galvanized	B	93,-	10,-	103,-
Can Stand Type GS, hot-dip galvanized	B	62,-	18,-	80,-
Crash Guard	B	54,-	9,-	63,-

Small Can Shelves with Sumps Type SERIES 3000	Category	Price	Freight charges	Price including freight charges
3017-4E, galvanized	B	461,-	127,-	588,-
Grid Storage Level, hot dip-galvanized	B	59,-	10,-	69,-
Spill Tray, galvanized	B	96,-	10,-	106,-
Storage level for Drum Shelves	B	33,-	9,-	42,-
3018-4E, galvanized	B	383,-	127,-	510,-
Grid Storage Level, hot dip-galvanized	B	59,-	10,-	69,-
Spill Tray, galvanized	B	96,-	10,-	106,-
Storage level for Drum Shelves	B	33,-	9,-	42,-
3019-4E, galvanized	B	556,-	179,-	735,-
Grid Storage Level, hot dip-galvanized	B	59,-	10,-	69,-
Spill Tray, galvanized	B	96,-	10,-	106,-
Storage level for Drum Shelves	B	33,-	9,-	42,-
3020-4E, galvanized	B	476,-	179,-	655,-
Grid Storage Level, hot dip-galvanized	B	59,-	10,-	69,-
Spill Tray, galvanized	B	96,-	10,-	106,-
Storage level for Drum Shelves	B	33,-	9,-	42,-
3021-4E, galvanized	B	694,-	179,-	873,-
Grid Storage Level, hot dip-galvanized	B	59,-	10,-	69,-
Spill Tray, galvanized	B	96,-	10,-	106,-
Storage level for Drum Shelves	B	33,-	9,-	42,-
3022-4E, galvanized	B	604,-	127,-	731,-
Grid Storage Level, hot dip-galvanized	B	59,-	10,-	69,-
Spill Tray, galvanized	B	96,-	10,-	106,-
Storage level for Drum Shelves	B	33,-	9,-	42,-
3023-4E, galvanized	B	1122,-	229,-	1351,-
Grid Storage Level, hot dip-galvanized	B	59,-	10,-	69,-
Spill Tray, galvanized	B	96,-	10,-	106,-
Storage level for Drum Shelves	B	33,-	9,-	42,-
3024-4E, galvanized	B	935,-	229,-	1164,-
Grid Storage Level, hot dip-galvanized	B	59,-	10,-	69,-
Spill Tray, galvanized	B	96,-	10,-	106,-
Storage level for Drum Shelves	B	33,-	9,-	42,-

Shelves Type AG	Category	Price	Freight charges	Price including freight charges
AG 60-1, hot-dip galvanized	B	108,-	12,-	120,-
AG 60-2, hot-dip galvanized	B	113,-	14,-	127,-
AG 60-3, hot-dip galvanized	B	121,-	15,-	136,-

Prices in EUR, valid EXW DE-46354 Südlohn, DE-38820 Halberstadt, unpacked
 Freight charges valid CPT Finland, islands and oversea territories excluded

Price List 0424 en-FI

Environment / Storage



Sump Tray Type AM	Category	Price	Freight charges	Price including freight charges
AM-1, painted	B	323,-	127,-	450,-
AM-1, hot-dip galvanized	B	366,-	127,-	493,-
AM-2, painted	B	357,-	127,-	484,-
Drum Support FA 60-1, hot-dip galvanized	B	105,-	15,-	120,-
Drum Support FA 60-2, hot-dip galvanized	B	114,-	18,-	132,-
Drum Support FA 60-3, hot-dip galvanized	B	133,-	21,-	154,-
Drum Support FA 200-1, hot-dip galvanized	B	114,-	15,-	129,-
Can Shelf Type GR-A, galvanized	B	133,-	70,-	203,-
Can Shelf Type GR-B, galvanized	B	133,-	70,-	203,-
Can Shelf Type GR-C, galvanized	B	133,-	70,-	203,-
AM-2, hot-dip galvanized	B	412,-	127,-	539,-
Drum Support FA 60-1, hot-dip galvanized	B	105,-	15,-	120,-
Drum Support FA 60-2, hot-dip galvanized	B	114,-	18,-	132,-
Drum Support FA 60-3, hot-dip galvanized	B	133,-	21,-	154,-
Drum Support FA 200-1, hot-dip galvanized	B	114,-	15,-	129,-
Can Shelf Type GR-A, galvanized	B	133,-	70,-	203,-
Can Shelf Type GR-B, galvanized	B	133,-	70,-	203,-
Can Shelf Type GR-C, galvanized	B	133,-	70,-	203,-
AM-4/A, painted	B	428,-	127,-	555,-
Drum Support FA 60-1, hot-dip galvanized	B	105,-	15,-	120,-
Drum Support FA 60-2, hot-dip galvanized	B	114,-	18,-	132,-
Drum Support FA 60-3, hot-dip galvanized	B	133,-	21,-	154,-
Drum Support FA 200-1, hot-dip galvanized	B	114,-	15,-	129,-
Drum Support FA 200-2, hot-dip galvanized	B	133,-	22,-	155,-
Can Shelf Type GR-A, galvanized	B	133,-	70,-	203,-
Can Shelf Type GR-B, galvanized	B	133,-	70,-	203,-
Can Shelf Type GR-C, galvanized	B	133,-	70,-	203,-
AM-4/A, hot-dip galvanized	B	482,-	179,-	661,-
Drum Support FA 60-1, hot-dip galvanized	B	105,-	15,-	120,-
Drum Support FA 60-2, hot-dip galvanized	B	114,-	18,-	132,-
Drum Support FA 60-3, hot-dip galvanized	B	133,-	21,-	154,-
Drum Support FA 200-1, hot-dip galvanized	B	114,-	15,-	129,-
Drum Support FA 200-2, hot-dip galvanized	B	133,-	22,-	155,-
Can Shelf Type GR-A, galvanized	B	133,-	70,-	203,-
Can Shelf Type GR-B, galvanized	B	133,-	70,-	203,-
Can Shelf Type GR-C, galvanized	B	133,-	70,-	203,-
AM-4/B, painted	B	514,-	179,-	693,-
Drum Support FA 60-1, hot-dip galvanized	B	105,-	15,-	120,-
Drum Support FA 60-2, hot-dip galvanized	B	114,-	18,-	132,-
Drum Support FA 60-3, hot-dip galvanized	B	133,-	21,-	154,-
Can Shelf Type GR-A, galvanized	B	133,-	70,-	203,-
Can Shelf Type GR-B, galvanized	B	133,-	70,-	203,-
Can Shelf Type GR-C, galvanized	B	133,-	70,-	203,-
AM-4/B, hot-dip galvanized	B	602,-	179,-	781,-
Drum Support FA 60-1, hot-dip galvanized	B	105,-	15,-	120,-
Drum Support FA 60-2, hot-dip galvanized	B	114,-	18,-	132,-

Prices in EUR, valid EXW DE-46354 Südlohn, DE-38820 Halberstadt, unpacked
Freight charges valid CPT Finland, islands and oversea territories excluded

Price List 0424 en-FI

Environment / Storage



Sump Tray Type AM	Category	Price	Freight charges	Price including freight charges
Drum Support FA 60-3, hot-dip galvanized	B	133,-	21,-	154,-
Can Shelf Type GR-A, galvanized	B	133,-	70,-	203,-
Can Shelf Type GR-B, galvanized	B	133,-	70,-	203,-
Can Shelf Type GR-C, galvanized	B	133,-	70,-	203,-

Sump Tray Type AO	Category	Price	Freight charges	Price including freight charges
AO-1, painted	B	282,-	127,-	409,-
AO-1, hot-dip galvanized	B	325,-	127,-	452,-
AO-2, painted	B	299,-	127,-	426,-
AO-2, hot-dip galvanized	B	354,-	127,-	481,-
AO-4/A, painted	B	311,-	127,-	438,-
AO-4/A, hot-dip galvanized	B	365,-	127,-	492,-
AO-4/B, painted	B	398,-	127,-	525,-
AO-4/B, hot-dip galvanized	B	483,-	127,-	610,-

Sump Tray Type AW	Category	Price	Freight charges	Price including freight charges
AW 450, painted	B	619,-	179,-	798,-
AW 450, hot-dip galvanized	B	768,-	179,-	947,-
AW 800, painted	B	644,-	179,-	823,-
AW 800, hot-dip galvanized	B	802,-	179,-	981,-
AW 1000, painted	B	649,-	179,-	828,-
AW 1000, hot-dip galvanized	B	809,-	179,-	988,-
AW 1000-2, painted	B	831,-	308,-	1139,-
AW 1000-2, hot-dip galvanized	B	933,-	308,-	1241,-
AW 1000-3, hot-dip galvanized	B	1585,-	381,-	1966,-
AW 1000-3, painted	B	1472,-	308,-	1780,-
AW 1000-10F, painted	B	997,-	308,-	1305,-
AW 1000-10F, hot-dip galvanized	B	1154,-	308,-	1462,-

Sump Tray Type AW/SW	Category	Price	Freight charges	Price including freight charges
AW 450/SW, painted	B	815,-	179,-	994,-
AW 450/SW, hot-dip galvanized	B	964,-	258,-	1222,-
AW 800/SW, painted	B	839,-	258,-	1097,-
AW 800/SW, hot-dip galvanized	B	997,-	258,-	1255,-
AW 1000/SW, painted	B	844,-	258,-	1102,-
AW 1000/SW, hot-dip galvanized	B	1006,-	258,-	1264,-
AW 1000-2/SW, painted	B	1054,-	308,-	1362,-
AW 1000-2/SW, hot-dip galvanized	B	1155,-	381,-	1536,-
AW 1000-3/SW, painted	B	1726,-	381,-	2107,-
AW 1000-3/SW, hot-dip galvanized	B	2049,-	511,-	2560,-
AW 1000-10F/SW, painted	B	1340,-	381,-	1721,-
AW 1000-10F/SW, hot-dip galvanized	B	1495,-	381,-	1876,-

Mobile Sump Tray AW 60-1 SR	Category	Price	Freight charges	Price including freight charges
AW 60-1 SR, painted	B	314,-	127,-	441,-

Prices in EUR, valid EXW DE-46354 Südlohn, DE-38820 Halberstadt, unpacked
 Freight charges valid CPT Finland, islands and oversea territories excluded

Price List 0424 en-FI

Environment / Storage



Mobile Sump Tray AW 60-1 SR	Category	Price	Freight charges	Price including freight charges
Fixture and Tension belt for 2 x 60 Litre Drums	B	43,-	8,-	51,-
AW 60-1 SR, hot-dip galvanized	B	333,-	127,-	460,-
Fixture and Tension belt for 2 x 60 Litre Drums	B	43,-	8,-	51,-
Mobile Sump Tray AW 60-1 SRF	Category	Price	Freight charges	Price including freight charges
AW 60-1 SRF, painted	B	414,-	127,-	541,-
AW 60-1 SRF, hot-dip galvanized	B	435,-	127,-	562,-
Sump Tray Type AW 60	Category	Price	Freight charges	Price including freight charges
AW 60-1, painted	B	170,-	70,-	240,-
Grid GR 60-1, hot-dip galvanized	B	22,-	8,-	30,-
Drum Support FA 60-A for Drum Shelf AG 60, galvanized	B	24,-	8,-	32,-
Rotating Support RA 60-A, hot-dip galvanized	B	93,-	9,-	102,-
AG 60-1, hot-dip galvanized	B	108,-	12,-	120,-
Canister Stand AB, galvanized	B	18,-	8,-	26,-
Castor Set, polyamide, Load capacity 375 kg / castor set	B	83,-	15,-	98,-
AW 60-1, hot-dip galvanized	B	182,-	70,-	252,-
Grid GR 60-1, hot-dip galvanized	B	22,-	8,-	30,-
Drum Support FA 60-A for Drum Shelf AG 60, galvanized	B	24,-	8,-	32,-
Rotating Support RA 60-A, hot-dip galvanized	B	93,-	9,-	102,-
AG 60-1, hot-dip galvanized	B	108,-	12,-	120,-
Canister Stand AB, galvanized	B	18,-	8,-	26,-
Castor Set, polyamide, Load capacity 375 kg / castor set	B	83,-	15,-	98,-
AW 60-2, painted	B	171,-	127,-	298,-
Grid GR 60-2, hot-dip galvanized	B	26,-	12,-	38,-
Drum Support FA 60-A for Drum Shelf AG 60, galvanized	B	24,-	8,-	32,-
Rotating Support RA 60-A, hot-dip galvanized	B	93,-	9,-	102,-
AG 60-2, hot-dip galvanized	B	113,-	14,-	127,-
Canister Stand AB, galvanized	B	18,-	8,-	26,-
Castor Set, polyamide, Load capacity 375 kg / castor set	B	83,-	15,-	98,-
AW 60-2, hot-dip galvanized	B	188,-	127,-	315,-
Grid GR 60-2, hot-dip galvanized	B	26,-	12,-	38,-
Drum Support FA 60-A for Drum Shelf AG 60, galvanized	B	24,-	8,-	32,-
Rotating Support RA 60-A, hot-dip galvanized	B	93,-	9,-	102,-
AG 60-2, hot-dip galvanized	B	113,-	14,-	127,-
Canister Stand AB, galvanized	B	18,-	8,-	26,-
Castor Set, polyamide, Load capacity 375 kg / castor set	B	83,-	15,-	98,-
AW 60-3, painted	B	186,-	127,-	313,-
Grid GR 60-3, hot-dip galvanized	B	38,-	14,-	52,-
Drum Support FA 60-A for Drum Shelf AG 60, galvanized	B	24,-	8,-	32,-
Rotating Support RA 60-A, hot-dip galvanized	B	93,-	9,-	102,-
AG 60-3, hot-dip galvanized	B	121,-	15,-	136,-
Canister Stand AB, galvanized	B	18,-	8,-	26,-
Castor Set, polyamide, Load capacity 375 kg / castor set	B	83,-	15,-	98,-
AW 60-3, hot-dip galvanized	B	209,-	127,-	336,-

Prices in EUR, valid EXW DE-46354 Südlohn, DE-38820 Halberstadt, unpacked
Freight charges valid CPT Finland, islands and oversea territories excluded

Price List 0424 en-FI

Environment / Storage



Sump Tray Type AW 60	Category	Price	Freight charges	Price including freight charges
Grid GR 60-3, hot-dip galvanized	B	38,-	14,-	52,-
Drum Support FA 60-A for Drum Shelf AG 60, galvanized	B	24,-	8,-	32,-
Rotating Support RA 60-A, hot-dip galvanized	B	93,-	9,-	102,-
AG 60-3, hot-dip galvanized	B	121,-	15,-	136,-
Canister Stand AB, galvanized	B	18,-	8,-	26,-
Castor Set, polyamide, Load capacity 375 kg / castor set	B	83,-	15,-	98,-

Sump Tray Type AW 60/M	Category	Price	Freight charges	Price including freight charges
AW 60-1/M, painted	B	189,-	127,-	316,-
Drum Support FA 60-A for Drum Shelf AG 60, galvanized	B	24,-	8,-	32,-
Rotating Support RA 60-A, hot-dip galvanized	B	93,-	9,-	102,-
AG 60-1, hot-dip galvanized	B	108,-	12,-	120,-
Canister Stand AB, galvanized	B	18,-	8,-	26,-
Castor Set, polyamide, Load capacity 375 kg / castor set	B	83,-	15,-	98,-
AW 60-1/M, hot-dip galvanized	B	203,-	127,-	330,-
Drum Support FA 60-A for Drum Shelf AG 60, galvanized	B	24,-	8,-	32,-
Rotating Support RA 60-A, hot-dip galvanized	B	93,-	9,-	102,-
AG 60-1, hot-dip galvanized	B	108,-	12,-	120,-
Canister Stand AB, galvanized	B	18,-	8,-	26,-
Castor Set, polyamide, Load capacity 375 kg / castor set	B	83,-	15,-	98,-
AW 60-2/M, painted	B	196,-	127,-	323,-
Drum Support FA 60-A for Drum Shelf AG 60, galvanized	B	24,-	8,-	32,-
Drum Support FA 60-2, hot-dip galvanized	B	114,-	18,-	132,-
Rotating Support RA 60-A, hot-dip galvanized	B	93,-	9,-	102,-
AG 60-2, hot-dip galvanized	B	113,-	14,-	127,-
Canister Stand AB, galvanized	B	18,-	8,-	26,-
Castor Set, polyamide, Load capacity 375 kg / castor set	B	83,-	15,-	98,-
AW 60-2/M, hot-dip galvanized	B	213,-	127,-	340,-
Drum Support FA 60-A for Drum Shelf AG 60, galvanized	B	24,-	8,-	32,-
Drum Support FA 60-2, hot-dip galvanized	B	114,-	18,-	132,-
Rotating Support RA 60-A, hot-dip galvanized	B	93,-	9,-	102,-
AG 60-2, hot-dip galvanized	B	113,-	14,-	127,-
Canister Stand AB, galvanized	B	18,-	8,-	26,-
Castor Set, polyamide, Load capacity 375 kg / castor set	B	83,-	15,-	98,-
AW 60-3/M, painted	B	224,-	127,-	351,-
Drum Support FA 60-A for Drum Shelf AG 60, galvanized	B	24,-	8,-	32,-
Drum Support FA 60-2, hot-dip galvanized	B	114,-	18,-	132,-
Drum Support FA 60-3, hot-dip galvanized	B	133,-	21,-	154,-
Rotating Support RA 60-A, hot-dip galvanized	B	93,-	9,-	102,-
AG 60-3, hot-dip galvanized	B	121,-	15,-	136,-
Canister Stand AB, galvanized	B	18,-	8,-	26,-
Castor Set, polyamide, Load capacity 375 kg / castor set	B	83,-	15,-	98,-
AW 60-3/M, hot-dip galvanized	B	245,-	127,-	372,-
Drum Support FA 60-A for Drum Shelf AG 60, galvanized	B	24,-	8,-	32,-
Drum Support FA 60-2, hot-dip galvanized	B	114,-	18,-	132,-
Drum Support FA 60-3, hot-dip galvanized	B	133,-	21,-	154,-

Prices in EUR, valid EXW DE-46354 Südlohn, DE-38820 Halberstadt, unpacked
Freight charges valid CPT Finland, islands and oversea territories excluded

Price List 0424 en-FI

Environment / Storage



Sump Tray Type AW 60/M	Category	Price	Freight charges	Price including freight charges
Rotating Support RA 60-A, hot-dip galvanized	B	93,-	9,-	102,-
AG 60-3, hot-dip galvanized	B	121,-	15,-	136,-
Canister Stand AB, galvanized	B	18,-	8,-	26,-
Castor Set, polyamide, Load capacity 375 kg / castor set	B	83,-	15,-	98,-

Sump Tray Type AW/PE	Category	Price	Freight charges	Price including freight charges
AW-1/PE, painted	B	635,-	127,-	762,-
AW-1/PE, hot-dip galvanized	B	664,-	127,-	791,-
AW-2/PE, painted	B	696,-	127,-	823,-
Drum Support FA 60-1, hot-dip galvanized	B	105,-	15,-	120,-
Drum Support FA 60-2, hot-dip galvanized	B	114,-	18,-	132,-
Drum Support FA 60-3, hot-dip galvanized	B	133,-	21,-	154,-
Drum Support FA 200-1, hot-dip galvanized	B	114,-	15,-	129,-
Can Shelf Type GR-A, galvanized	B	133,-	70,-	203,-
Can Shelf Type GR-B, galvanized	B	133,-	70,-	203,-
Can Shelf Type GR-C, galvanized	B	133,-	70,-	203,-
AW-2/PE, hot-dip galvanized	B	731,-	127,-	858,-
Drum Support FA 60-1, hot-dip galvanized	B	105,-	15,-	120,-
Drum Support FA 60-2, hot-dip galvanized	B	114,-	18,-	132,-
Drum Support FA 60-3, hot-dip galvanized	B	133,-	21,-	154,-
Drum Support FA 200-1, hot-dip galvanized	B	114,-	15,-	129,-
Can Shelf Type GR-A, galvanized	B	133,-	70,-	203,-
Can Shelf Type GR-B, galvanized	B	133,-	70,-	203,-
Can Shelf Type GR-C, galvanized	B	133,-	70,-	203,-
AW-4/A/PE, painted	B	790,-	179,-	969,-
Drum Support FA 60-1, hot-dip galvanized	B	105,-	15,-	120,-
Drum Support FA 60-2, hot-dip galvanized	B	114,-	18,-	132,-
Drum Support FA 60-3, hot-dip galvanized	B	133,-	21,-	154,-
Drum Support FA 200-1, hot-dip galvanized	B	114,-	15,-	129,-
Drum Support FA 200-2, hot-dip galvanized	B	133,-	22,-	155,-
Can Shelf Type GR-A, galvanized	B	133,-	70,-	203,-
Can Shelf Type GR-B, galvanized	B	133,-	70,-	203,-
Can Shelf Type GR-C, galvanized	B	133,-	70,-	203,-
AW-4/A/PE, hot-dip galvanized	B	829,-	179,-	1008,-
Drum Support FA 60-1, hot-dip galvanized	B	105,-	15,-	120,-
Drum Support FA 60-2, hot-dip galvanized	B	114,-	18,-	132,-
Drum Support FA 60-3, hot-dip galvanized	B	133,-	21,-	154,-
Drum Support FA 200-1, hot-dip galvanized	B	114,-	15,-	129,-
Drum Support FA 200-2, hot-dip galvanized	B	133,-	22,-	155,-
Can Shelf Type GR-A, galvanized	B	133,-	70,-	203,-
Can Shelf Type GR-B, galvanized	B	133,-	70,-	203,-
Can Shelf Type GR-C, galvanized	B	133,-	70,-	203,-
AW-4/B/PE, painted	B	986,-	229,-	1215,-
Drum Support FA 60-1, hot-dip galvanized	B	105,-	15,-	120,-
Drum Support FA 60-2, hot-dip galvanized	B	114,-	18,-	132,-
Drum Support FA 60-3, hot-dip galvanized	B	133,-	21,-	154,-

Prices in EUR, valid EXW DE-46354 Südlohn, DE-38820 Halberstadt, unpacked
Freight charges valid CPT Finland, islands and oversea territories excluded

Price List 0424 en-FI

Environment / Storage



Sump Tray Type AW/PE	Category	Price	Freight charges	Price including freight charges
Can Shelf Type GR-A, galvanized	B	133,-	70,-	203,-
Can Shelf Type GR-B, galvanized	B	133,-	70,-	203,-
Can Shelf Type GR-C, galvanized	B	133,-	70,-	203,-
AW-4/B/PE, hot-dip galvanized	B	1058,-	229,-	1287,-
Drum Support FA 60-1, hot-dip galvanized	B	105,-	15,-	120,-
Drum Support FA 60-2, hot-dip galvanized	B	114,-	18,-	132,-
Drum Support FA 60-3, hot-dip galvanized	B	133,-	21,-	154,-
Can Shelf Type GR-A, galvanized	B	133,-	70,-	203,-
Can Shelf Type GR-B, galvanized	B	133,-	70,-	203,-
Can Shelf Type GR-C, galvanized	B	133,-	70,-	203,-
AW 1000/PE, painted	B	1339,-	258,-	1597,-
AW 1000/PE, hot-dip galvanized	B	1521,-	258,-	1779,-
AW 1000-2/PE, painted	B	1642,-	308,-	1950,-
AW 1000-2/PE, hot-dip galvanized	B	1756,-	308,-	2064,-

Sump Trays AW 8-12	Category	Price	Freight charges	Price including freight charges
AW-8, painted	B	707,-	229,-	936,-
AW-8, hot-dip galvanized	B	787,-	308,-	1095,-
AW-10, painted	B	873,-	308,-	1181,-
AW-10, hot-dip galvanized	B	1197,-	308,-	1505,-
AW-12, painted	B	1000,-	308,-	1308,-
AW-12, hot-dip galvanized	B	1382,-	308,-	1690,-

Sump Tray Type AWA	Category	Price	Freight charges	Price including freight charges
AWA 1000, painted	B	834,-	179,-	1013,-
AWA 1000, hot-dip galvanized	B	1009,-	258,-	1267,-
AWA 1000-2, painted	B	1197,-	308,-	1505,-
AWA 1000-2, hot-dip galvanized	B	1327,-	308,-	1635,-
AWA 1000-3, painted	B	2177,-	381,-	2558,-
AWA 1000-3, hot-dip galvanized	B	2304,-	511,-	2815,-
AWA 21, painted	B	1012,-	308,-	1320,-
AWA 21, hot-dip galvanized	B	1142,-	308,-	1450,-
AWA 31, painted	B	1889,-	381,-	2270,-
AWA 31, hot-dip galvanized	B	2006,-	381,-	2387,-
AWA 32, painted	B	2055,-	381,-	2436,-
AWA 32, hot-dip galvanized	B	2173,-	381,-	2554,-

Sump Tray Type AWA/SW	Category	Price	Freight charges	Price including freight charges
AWA 1000/SW, painted	B	1028,-	258,-	1286,-
AWA 1000/SW, hot-dip galvanized	B	1203,-	258,-	1461,-
AWA 1000-2/SW, painted	B	1422,-	381,-	1803,-
AWA 1000-2/SW, hot-dip galvanized	B	1550,-	381,-	1931,-
AWA 1000-3/SW, painted	B	2432,-	511,-	2943,-
AWA 1000-3/SW, hot-dip galvanized	B	2558,-	511,-	3069,-
AWA 21/SW, painted	B	1234,-	381,-	1615,-

Prices in EUR, valid EXW DE-46354 Südlohn, DE-38820 Halberstadt, unpacked
Freight charges valid CPT Finland, islands and oversea territories excluded

Price List 0424 en-FI

Environment / Storage



Sump Tray Type AWA/SW	Category	Price	Freight charges	Price including freight charges
AWA 21/SW, hot-dip galvanized	B	1365,-	381,-	1746,-
AWA 31/SW, painted	B	2142,-	511,-	2653,-
AWA 31/SW, hot-dip galvanized	B	2259,-	511,-	2770,-
AWA 32/SW, painted	B	2307,-	511,-	2818,-
AWA 32/SW, hot-dip galvanized	B	2427,-	511,-	2938,-

Sump Tray Type AW-F	Category	Price	Freight charges	Price including freight charges
AW-F 1, painted	B	634,-	127,-	761,-
Fixture and Tension Belt for 1 x 200 Litre Drum	B	46,-	9,-	55,-
AW-F 1, hot-dip galvanized	B	753,-	127,-	880,-
Fixture and Tension Belt for 1 x 200 Litre Drum	B	46,-	9,-	55,-
AW-F 2, painted	B	664,-	127,-	791,-
Fixture and Tension Belt for 2 x 200 Litre Drums	B	46,-	9,-	55,-
AW-F 2, hot-dip galvanized	B	813,-	127,-	940,-
Fixture and Tension Belt for 2 x 200 Litre Drums	B	46,-	9,-	55,-

Ground Protection Spill Tray Type BSW	Category	Price	Freight charges	Price including freight charges
BSW 21, galvanized	B	433,-	179,-	612,-
Access Ramp AR 21, galvanized	B	160,-	22,-	182,-
Access Corner Piece AE 24, galvanized	B	125,-	10,-	135,-
Cross-Shaped Connector KV 24, galvanized	B	19,-	8,-	27,-
Tray Connecting Strip WV 21, galvanized	B	21,-	8,-	29,-
BSW 22, galvanized	B	570,-	179,-	749,-
Access Ramp AR 21, galvanized	B	160,-	22,-	182,-
Access Ramp AR 22, galvanized	B	203,-	32,-	235,-
Access Corner Piece AE 24, galvanized	B	125,-	10,-	135,-
Cross-Shaped Connector KV 24, galvanized	B	19,-	8,-	27,-
Tray Connecting Strip WV 21, galvanized	B	21,-	8,-	29,-
Tray Connecting Strip WV 22, galvanized	B	23,-	8,-	31,-
BSW 23, galvanized	B	738,-	288,-	1026,-
Access Ramp AR 23, galvanized	B	289,-	177,-	466,-
Access Ramp AR 21, galvanized	B	160,-	22,-	182,-
Access Corner Piece AE 24, galvanized	B	125,-	10,-	135,-
Cross-Shaped Connector KV 24, galvanized	B	19,-	8,-	27,-
Tray Connecting Strip WV 21, galvanized	B	21,-	8,-	29,-
Tray Connecting Strip WV 23, galvanized	B	35,-	9,-	44,-
BSW 24, galvanized	B	1295,-	357,-	1652,-
Access Ramp AR 23, galvanized	B	289,-	177,-	466,-
Access Ramp AR 22, galvanized	B	203,-	32,-	235,-
Access Corner Piece AE 24, galvanized	B	125,-	10,-	135,-
Cross-Shaped Connector KV 24, galvanized	B	19,-	8,-	27,-
Tray Connecting Strip WV 22, galvanized	B	23,-	8,-	31,-
Tray Connecting Strip WV 23, galvanized	B	35,-	9,-	44,-
BSW 121, galvanized	B	192,-	70,-	262,-
Access Ramp AR 121, galvanized	B	157,-	22,-	179,-

Prices in EUR, valid EXW DE-46354 Südlohn, DE-38820 Halberstadt, unpacked
 Freight charges valid CPT Finland, islands and oversea territories excluded

Price List 0424 en-FI

Environment / Storage



Ground Protection Spill Tray Type BSW	Category	Price	Freight charges	Price including freight charges
Cross-Shaped Connector KV 24, galvanized	B	19,-	8,-	27,-
Tray Connecting Strip WV 121, galvanized	B	20,-	9,-	29,-
BSW 122, galvanized	B	234,-	127,-	361,-
Access Ramp AR 121, galvanized	B	157,-	22,-	179,-
Access Ramp AR 122, galvanized	B	265,-	36,-	301,-
Access Corner Piece AE 124, galvanized	B	252,-	21,-	273,-
Cross-Shaped Connector KV 24, galvanized	B	19,-	8,-	27,-
Tray Connecting Strip WV 121, galvanized	B	20,-	9,-	29,-
Tray Connecting Strip WV 122, galvanized	B	25,-	9,-	34,-
BSW 123, galvanized	B	327,-	127,-	454,-
Access Ramp AR 122, galvanized	B	265,-	36,-	301,-
Access Corner Piece AE 124, galvanized	B	252,-	21,-	273,-
Cross-Shaped Connector KV 24, galvanized	B	19,-	8,-	27,-
Tray Connecting Strip WV 122, galvanized	B	25,-	9,-	34,-
BSW 124, galvanized	B	534,-	179,-	713,-
Access Ramp AR 122, galvanized	B	265,-	36,-	301,-
Access Ramp AR 123, galvanized	B	326,-	179,-	505,-
Access Corner Piece AE 124, galvanized	B	252,-	21,-	273,-
Cross-Shaped Connector KV 24, galvanized	B	19,-	8,-	27,-
Tray Connecting Strip WV 122, galvanized	B	25,-	9,-	34,-
Tray Connecting Strip WV 123, galvanized	B	34,-	9,-	43,-
BSW 125, galvanized	B	411,-	229,-	640,-
Access Ramp AR 121, galvanized	B	157,-	22,-	179,-
Access Ramp AR 124, galvanized	B	378,-	229,-	607,-
Access Corner Piece AE 124, galvanized	B	252,-	21,-	273,-
Cross-Shaped Connector KV 24, galvanized	B	19,-	8,-	27,-
Tray Connecting Strip WV 121, galvanized	B	20,-	9,-	29,-
Tray Connecting Strip WV 124, galvanized	B	47,-	9,-	56,-
BSW 126, galvanized	B	645,-	308,-	953,-
Access Ramp AR 122, galvanized	B	265,-	36,-	301,-
Access Ramp AR 124, galvanized	B	378,-	229,-	607,-
Access Corner Piece AE 124, galvanized	B	252,-	21,-	273,-
Cross-Shaped Connector KV 24, galvanized	B	19,-	8,-	27,-
Tray Connecting Strip WV 122, galvanized	B	25,-	9,-	34,-
Tray Connecting Strip WV 124, galvanized	B	47,-	9,-	56,-
Polyethylene Bunded Spill Flooring Type BWP-PE	Category	Price	Freight charges	Price including freight charges
BWP-PE 150, made of robust polyethylene	B	305,-	127,-	432,-
Ramp Type BWR, robust polyethylene, black	B	214,-	12,-	226,-
Joining Element BWV 2, stainless steel 1.4301	B	28,-	9,-	37,-
BWP-PE 300, made of robust polyethylene	B	619,-	127,-	746,-
Ramp Type BWR, robust polyethylene, black	B	214,-	12,-	226,-
Joining Element BWV 4, stainless steel 1.4301	B	36,-	10,-	46,-

Prices in EUR, valid EXW DE-46354 Südlohn, DE-38820 Halberstadt, unpacked
Freight charges valid CPT Finland, islands and oversea territories excluded

Price List 0424 en-FI

Environment / Storage



Polyethylene Bunded Spill Flooring Type BWPS-PE	Category	Price	Freight charges	Price including freight charges
BWPS-PE 300, made of robust polyethylene	B	759,-	177,-	936,-
Ramp Type BWR, robust polyethylene, black	B	214,-	12,-	226,-
Joining Element BWV 2, stainless steel 1.4301	B	28,-	9,-	37,-

Shelf Container Type CEH	Category	Price	Freight charges	Price including freight charges
CEH 29-2, painted	C	8832,-	on request	on request
CEH 29-2 IBC, painted	C	9735,-	on request	on request
CEH 36-2 IBC, painted	C	11330,-	on request	on request
CEH 38-2, painted	C	11322,-	on request	on request
CEH 59-2, painted	C	16765,-	on request	on request
CEH 59-2 IBC, painted	C	17999,-	on request	on request
CEH 75-2 IBC, painted	C	21334,-	on request	on request
CEH 81-2, painted	C	21762,-	on request	on request

Shelf Container Type CEN	Category	Price	Freight charges	Price including freight charges
CEN 29-2, painted	C	7453,-	on request	on request
Potential equalisation	C	177,-	0,-	177,-
CEN 29-2 IBC, painted	C	8136,-	on request	on request
Potential equalisation	C	177,-	0,-	177,-
CEN 29-2b, painted	C	12990,-	on request	on request
Potential equalisation	C	353,-	0,-	353,-
CEN 29-2b IBC, painted	C	13892,-	on request	on request
Potential equalisation	C	353,-	0,-	353,-
CEN 29-3, painted	C	11729,-	on request	on request
Potential equalisation	C	264,-	0,-	264,-
CEN 29-3 IBC, painted	C	12480,-	on request	on request
Potential equalisation	C	264,-	0,-	264,-
CEN 29-3b, painted	C	19088,-	on request	on request
Potential equalisation	C	527,-	0,-	527,-
CEN 29-3b IBC, painted	C	20156,-	on request	on request
Potential equalisation	C	527,-	0,-	527,-
CEN 33-2 IBC, painted	C	9075,-	on request	on request
Potential equalisation	C	177,-	0,-	177,-
CEN 33-2b IBC, painted	C	15207,-	on request	on request
Potential equalisation	C	353,-	0,-	353,-
CEN 33-3 IBC, painted	C	13380,-	on request	on request
Potential equalisation	C	264,-	0,-	264,-
CEN 33-3b IBC, painted	C	21273,-	on request	on request
Potential equalisation	C	527,-	0,-	527,-
CEN 36-2, painted	C	9149,-	on request	on request
Potential equalisation	C	177,-	0,-	177,-
CEN 36-2b, painted	C	15565,-	on request	on request
Potential equalisation	C	353,-	0,-	353,-
CEN 36-3, painted	C	13571,-	on request	on request
Potential equalisation	C	264,-	0,-	264,-

Prices in EUR, valid EXW DE-46354 Südlohn, DE-38820 Halberstadt, unpacked
Freight charges valid CPT Finland, islands and oversea territories excluded

Price List 0424 en-FI

Environment / Storage



Shelf Container Type CEN	Category	Price	Freight charges	Price including freight charges
CEN 36-3b, painted	C	21925,-	on request	on request
Potential equalisation	C	527,-	0,-	527,-
CEN 59-2, painted	C	12340,-	on request	on request
Potential equalisation	C	352,-	0,-	352,-
CEN 59-2 IBC, painted	C	13446,-	on request	on request
Potential equalisation	C	352,-	0,-	352,-
CEN 59-2b, painted	C	21238,-	on request	on request
Potential equalisation	C	704,-	0,-	704,-
CEN 59-2b IBC, painted	C	21984,-	on request	on request
Potential equalisation	C	704,-	0,-	704,-
CEN 59-3, painted	C	18998,-	on request	on request
Potential equalisation	C	526,-	0,-	526,-
CEN 59-3 IBC, painted	C	20108,-	on request	on request
Potential equalisation	C	526,-	0,-	526,-
CEN 59-3b, painted	C	30667,-	on request	on request
Potential equalisation	C	1052,-	0,-	1052,-
CEN 59-3b IBC, painted	C	32274,-	on request	on request
Potential equalisation	C	1052,-	0,-	1052,-
CEN 65-2 IBC, painted	C	14494,-	on request	on request
Potential equalisation	C	352,-	0,-	352,-
CEN 65-2b IBC, painted	C	24443,-	on request	on request
Potential equalisation	C	704,-	0,-	704,-
CEN 65-3 IBC, painted	C	21255,-	on request	on request
Potential equalisation	C	526,-	0,-	526,-
CEN 65-3b IBC, painted	C	34704,-	on request	on request
Potential equalisation	C	1052,-	0,-	1052,-
CEN 75-2, painted	C	15462,-	on request	on request
Potential equalisation	C	352,-	0,-	352,-
CEN 75-2b, painted	C	25589,-	on request	on request
Potential equalisation	C	704,-	0,-	704,-
CEN 75-3, painted	C	22305,-	on request	on request
Potential equalisation	C	526,-	0,-	526,-
CEN 75-3b, painted	C	36212,-	on request	on request
Potential equalisation	C	1052,-	0,-	1052,-
CEN 81-2, painted	C	16220,-	on request	on request
Potential equalisation	C	352,-	0,-	352,-
CEN 81-2b, painted	C	26755,-	on request	on request
Potential equalisation	C	704,-	0,-	704,-
CEN 81-3, painted	C	23356,-	on request	on request
Potential equalisation	C	526,-	0,-	526,-
CEN 81-3b, painted	C	37796,-	on request	on request
Potential equalisation	C	1052,-	0,-	1052,-
Sump Tray for Skips Type CW	Category	Price	Freight charges	Price including freight charges
CW 1, painted	B	2852,-	on request	on request
CW 2, painted	B	3116,-	on request	on request

Prices in EUR, valid EXW DE-46354 Südlohn, DE-38820 Halberstadt, unpacked
Freight charges valid CPT Finland, islands and oversea territories excluded

Price List 0424 en-FI

Environment / Storage



Sump Tray for Skips Type CW	Category	Price	Freight charges	Price including freight charges
CW 3, painted	B	3596,-	on request	on request

Sump Tray Type ECO	Category	Price	Freight charges	Price including freight charges
ECO 1/200, painted	B	237,-	127,-	364,-
ECO 1/200, hot-dip galvanized	B	247,-	127,-	374,-
ECO 2/200, painted	B	252,-	127,-	379,-
ECO 2/200, hot-dip galvanized	B	260,-	127,-	387,-
ECO 4/200, painted	B	275,-	127,-	402,-
ECO 4/200, hot-dip galvanized	B	286,-	127,-	413,-
ECO 4/400, painted	B	342,-	127,-	469,-
ECO 4/400, hot-dip galvanized	B	357,-	127,-	484,-
ECO 1/1000, painted	B	610,-	179,-	789,-
ECO 1/1000, hot-dip galvanized	B	733,-	179,-	912,-
ECO 2/1000, painted	B	798,-	228,-	1026,-
ECO 2/1000, hot-dip galvanized	B	884,-	228,-	1112,-

Sump Tray Type ECO-A	Category	Price	Freight charges	Price including freight charges
ECO-A 1/1000, painted	B	802,-	179,-	981,-
ECO-A 1/1000, hot-dip galvanized	B	938,-	179,-	1117,-
ECO-A 2/1000, painted	B	1179,-	308,-	1487,-
ECO-A 2/1000, hot-dip galvanized	B	1295,-	308,-	1603,-

Sump Tray Type ECO-S	Category	Price	Freight charges	Price including freight charges
ECO-S 2/200, hot-dip galvanized	B	3330,-	480,-	3810,-
ECO-S 4/200, hot-dip galvanized	B	3915,-	705,-	4620,-
ECO-S 4/400, hot-dip galvanized	B	4830,-	705,-	5535,-

Suspended Sump with Polyethylene Inlay Type EHW PE	Category	Price	Freight charges	Price including freight charges
EHW 1800 PE, painted	B	878,-	179,-	1057,-
EHW 1800 PE, hot-dip galvanized	B	890,-	179,-	1069,-
EHW 2200 PE, painted	B	953,-	179,-	1132,-
EHW 2200 PE, hot-dip galvanized	B	993,-	179,-	1172,-
EHW 2700 PE, painted	B	1105,-	308,-	1413,-
EHW 2700 PE, hot-dip galvanized	B	1170,-	308,-	1478,-
EHW 3300 PE, painted	B	1597,-	308,-	1905,-
EHW 3300 PE, hot-dip galvanized	B	1668,-	308,-	1976,-

Suspended Sump Type EHW	Category	Price	Freight charges	Price including freight charges
EHW 1800, painted	B	491,-	179,-	670,-
EHW 1800, hot-dip galvanized	B	503,-	179,-	682,-
EHW 2200, painted	B	544,-	179,-	723,-
EHW 2200, hot-dip galvanized	B	584,-	179,-	763,-
EHW 2700, painted	B	626,-	229,-	855,-
EHW 2700, hot-dip galvanized	B	692,-	229,-	921,-
EHW 3300, painted	B	968,-	308,-	1276,-

Prices in EUR, valid EXW DE-46354 Südlohn, DE-38820 Halberstadt, unpacked
Freight charges valid CPT Finland, islands and oversea territories excluded

Price List 0424 en-FI

Environment / Storage



Suspended Sump Type EHW	Category	Price	Freight charges	Price including freight charges
EHW 3300, hot-dip galvanized	B	1039,-	308,-	1347,-
EHW 3600, painted	B	1014,-	308,-	1322,-
EHW 3600, hot-dip galvanized	B	1092,-	308,-	1400,-
Drum Pallet Type FP	Category	Price	Freight charges	Price including freight charges
FP 2, hot-dip galvanized	B	88,-	127,-	215,-
Drum Shelve Type FR	Category	Price	Freight charges	Price including freight charges
FR-1, hot-dip galvanized	B	283,-	127,-	410,-
Can Stand Type GS, hot-dip galvanized	B	62,-	18,-	80,-
Clip-on Rotating Support, galvanized	B	82,-	10,-	92,-
FR-2, hot-dip galvanized	B	362,-	127,-	489,-
Can Stand Type GS, hot-dip galvanized	B	62,-	18,-	80,-
Clip-on Rotating Support, galvanized	B	82,-	10,-	92,-
FR-3, hot-dip galvanized	B	404,-	127,-	531,-
Can Stand Type GS, hot-dip galvanized	B	62,-	18,-	80,-
Rotating Support RA 60, hot-dip galvanized	B	93,-	9,-	102,-
Sump Tray Type FRA	Category	Price	Freight charges	Price including freight charges
FRA-1, painted	B	299,-	127,-	426,-
Grid, hot-dip galvanized	B	64,-	16,-	80,-
FRA-1, hot-dip galvanized	B	354,-	127,-	481,-
Grid, hot-dip galvanized	B	64,-	16,-	80,-
FRA-2, painted	B	311,-	127,-	438,-
Grid, hot-dip galvanized	B	127,-	24,-	151,-
FRA-2, hot-dip galvanized	B	365,-	127,-	492,-
Grid, hot-dip galvanized	B	127,-	24,-	151,-
FRA-3, painted	B	311,-	127,-	438,-
Grid, hot-dip galvanized	B	127,-	24,-	151,-
FRA-3, hot-dip galvanized	B	365,-	127,-	492,-
Grid, hot-dip galvanized	B	127,-	24,-	151,-
Drum Shelf Type FRE/M	Category	Price	Freight charges	Price including freight charges
FRE-1/M, hot-dip galvanized	B	217,-	21,-	238,-
Clip-on Rotating Support, galvanized	B	82,-	10,-	92,-
Can Stand Type GS, hot-dip galvanized	B	62,-	18,-	80,-
FRE-2/M, hot-dip galvanized	B	252,-	22,-	274,-
Clip-on Rotating Support, galvanized	B	82,-	10,-	92,-
Can Stand Type GS, hot-dip galvanized	B	62,-	18,-	80,-
FRE-3/M, hot-dip galvanized	B	269,-	27,-	296,-
Rotating Support RA 60, hot-dip galvanized	B	93,-	9,-	102,-
Can Stand Type GS, hot-dip galvanized	B	62,-	18,-	80,-
Can Shelf Type FRE-G/M	Category	Price	Freight charges	Price including freight charges
FRE-G1/M, hot-dip galvanized	B	228,-	27,-	255,-

Prices in EUR, valid EXW DE-46354 Südlohn, DE-38820 Halberstadt, unpacked
Freight charges valid CPT Finland, islands and oversea territories excluded

Price List 0424 en-FI

Environment / Storage



Can Shelf Type FRE-G/M	Category	Price	Freight charges	Price including freight charges
FRE-G2/M, hot-dip galvanized	B	264,-	32,-	296,-

Can Shelf for Small Cans Type FRG	Category	Price	Freight charges	Price including freight charges
FRG, hot-dip galvanized	B	368,-	127,-	495,-

Drum Stacking Pallet Type FSP-D	Category	Price	Freight charges	Price including freight charges
FSP-1 D, lackiert	B	816,-	179,-	995,-
FSP-1 D, hot-dip galvanized	B	1068,-	179,-	1247,-
FSP-2 D, lackiert	B	870,-	179,-	1049,-
FSP-2 D, hot-dip galvanized	B	1180,-	179,-	1359,-
FSP-4 D, lackiert	B	1130,-	179,-	1309,-
FSP-4 D, hot-dip galvanized	B	1560,-	179,-	1739,-

Drum Stacking Pallet Type FSP-G	Category	Price	Freight charges	Price including freight charges
FSP-1 G, lackiert	B	793,-	179,-	972,-
FSP-1 G, hot-dip galvanized	B	1052,-	179,-	1231,-
FSP-2 G, painted	B	849,-	179,-	1028,-
FSP-2 G, hot-dip galvanized	B	1156,-	179,-	1335,-
FSP-4 G, painted	B	1109,-	258,-	1367,-
FSP-4 G, hot-dip galvanized	B	1533,-	258,-	1791,-

Drum Stacking Pallet Type FSP	Category	Price	Freight charges	Price including freight charges
FSP-1, painted	B	467,-	127,-	594,-
FSP-1, hot-dip galvanized	B	702,-	179,-	881,-
FSP-2, painted	B	632,-	179,-	811,-
FSP-2, hot-dip galvanized	B	882,-	179,-	1061,-
FSP-4, painted	B	720,-	179,-	899,-
FSP-4, hot-dip galvanized	B	1112,-	179,-	1291,-

Hazardous Materials Depot Type GD-A	Category	Price	Freight charges	Price including freight charges
GD-A, painted	C	736,-	179,-	915,-
Drum Support FA 60-1, hot-dip galvanized	B	105,-	15,-	120,-
Drum Support FA 60-2, hot-dip galvanized	B	114,-	18,-	132,-
Drum Support FA 60-3, hot-dip galvanized	B	133,-	21,-	154,-
Can Shelf Type GR-A, galvanized	B	133,-	70,-	203,-
Can Shelf Type GR-B, galvanized	B	133,-	70,-	203,-
Can Shelf Type GR-C, galvanized	B	133,-	70,-	203,-
GD-A, hot-dip galvanized	C	927,-	179,-	1106,-
Drum Support FA 60-1, hot-dip galvanized	B	105,-	15,-	120,-
Drum Support FA 60-2, hot-dip galvanized	B	114,-	18,-	132,-
Drum Support FA 60-3, hot-dip galvanized	B	133,-	21,-	154,-
Can Shelf Type GR-A, galvanized	B	133,-	70,-	203,-
Can Shelf Type GR-B, galvanized	B	133,-	70,-	203,-
Can Shelf Type GR-C, galvanized	B	133,-	70,-	203,-

Prices in EUR, valid EXW DE-46354 Südlohn, DE-38820 Halberstadt, unpacked
Freight charges valid CPT Finland, islands and oversea territories excluded

Price List 0424 en-FI

Environment / Storage



Hazardous Materials Depot Type GD-B	Category	Price	Freight charges	Price including freight charges
GD-B, painted	C	1316,-	179,-	1495,-
Drum Support FA 60-1, hot-dip galvanized	B	105,-	15,-	120,-
Drum Support FA 60-2, hot-dip galvanized	B	114,-	18,-	132,-
Drum Support FA 60-3, hot-dip galvanized	B	133,-	21,-	154,-
Can Shelf Type GR-A, galvanized	B	133,-	70,-	203,-
Can Shelf Type GR-B, galvanized	B	133,-	70,-	203,-
Can Shelf Type GR-C, galvanized	B	133,-	70,-	203,-
GD-B, hot-dip galvanized	C	1570,-	179,-	1749,-
Drum Support FA 60-1, hot-dip galvanized	B	105,-	15,-	120,-
Drum Support FA 60-2, hot-dip galvanized	B	114,-	18,-	132,-
Drum Support FA 60-3, hot-dip galvanized	B	133,-	21,-	154,-
Can Shelf Type GR-A, galvanized	B	133,-	70,-	203,-
Can Shelf Type GR-B, galvanized	B	133,-	70,-	203,-
Can Shelf Type GR-C, galvanized	B	133,-	70,-	203,-
Hazardous Materials Depot Type GD-C	Category	Price	Freight charges	Price including freight charges
GD-C, painted	C	1123,-	179,-	1302,-
Drum Support FA 60-1, hot-dip galvanized	B	105,-	15,-	120,-
Drum Support FA 60-2, hot-dip galvanized	B	114,-	18,-	132,-
Drum Support FA 60-3, hot-dip galvanized	B	133,-	21,-	154,-
Can Shelf Type GR-A, galvanized	B	133,-	70,-	203,-
Can Shelf Type GR-B, galvanized	B	133,-	70,-	203,-
Can Shelf Type GR-C, galvanized	B	133,-	70,-	203,-
GD-C, hot-dip galvanized	C	1269,-	179,-	1448,-
Drum Support FA 60-1, hot-dip galvanized	B	105,-	15,-	120,-
Drum Support FA 60-2, hot-dip galvanized	B	114,-	18,-	132,-
Drum Support FA 60-3, hot-dip galvanized	B	133,-	21,-	154,-
Can Shelf Type GR-A, galvanized	B	133,-	70,-	203,-
Can Shelf Type GR-B, galvanized	B	133,-	70,-	203,-
Can Shelf Type GR-C, galvanized	B	133,-	70,-	203,-
Hazardous Materials Depot Type GD-E	Category	Price	Freight charges	Price including freight charges
GD-E 2, galvanized	C	1509,-	258,-	1767,-
Drum Support FA 60-1, hot-dip galvanized	B	105,-	15,-	120,-
Drum Support FA 60-2, hot-dip galvanized	B	114,-	18,-	132,-
Drum Support FA 60-3, hot-dip galvanized	B	133,-	21,-	154,-
Can Shelf Type GR-A, galvanized	B	133,-	70,-	203,-
Can Shelf Type GR-B, galvanized	B	133,-	70,-	203,-
Can Shelf Type GR-C, galvanized	B	133,-	70,-	203,-
GD-E 4, galvanized	C	1842,-	331,-	2173,-
Drum Support FA 60-1, hot-dip galvanized	B	105,-	15,-	120,-
Drum Support FA 60-2, hot-dip galvanized	B	114,-	18,-	132,-
Drum Support FA 60-3, hot-dip galvanized	B	133,-	21,-	154,-
Can Shelf Type GR-A, galvanized	B	133,-	70,-	203,-
Can Shelf Type GR-B, galvanized	B	133,-	70,-	203,-

Prices in EUR, valid EXW DE-46354 Südlohn, DE-38820 Halberstadt, unpacked
Freight charges valid CPT Finland, islands and oversea territories excluded

Price List 0424 en-FI

Environment / Storage



Hazardous Materials Depot Type GD-E	Category	Price	Freight charges	Price including freight charges
Can Shelf Type GR-C, galvanized	B	133,-	70,-	203,-

Hazardous Materials Depot Type GD-E/IBC	Category	Price	Freight charges	Price including freight charges
GD-E/IBC, galvanized	C	2286,-	899,-	3185,-
GD-E/IBC-2, galvanized	C	3431,-	405,-	3836,-

Hazardous Materials Depot Type GD-N	Category	Price	Freight charges	Price including freight charges
GD-N 2, galvanized	C	1315,-	258,-	1573,-
Intermediate Storage Level ZB, galvanized, for Hazardous Materials Depot	C	102,-	18,-	120,-
Drum Support FA 60-1, hot-dip galvanized	B	105,-	15,-	120,-
Can Shelf Type GR-A, galvanized	B	133,-	70,-	203,-
Can Shelf Type GR-B, galvanized	B	133,-	70,-	203,-
Can Shelf Type GR-C, galvanized	B	133,-	70,-	203,-
GD-N 4, galvanized	C	1639,-	258,-	1897,-
Intermediate Storage Level ZB, galvanized, for Hazardous Materials Depot	C	102,-	18,-	120,-
Drum Support FA 60-1, hot-dip galvanized	B	105,-	15,-	120,-
Drum Support FA 60-2, hot-dip galvanized	B	114,-	18,-	132,-
Drum Support FA 200-1, hot-dip galvanized	B	114,-	15,-	129,-
Drum Support FA 200-2, hot-dip galvanized	B	133,-	22,-	155,-
Can Shelf Type GR-A, galvanized	B	133,-	70,-	203,-
Can Shelf Type GR-B, galvanized	B	133,-	70,-	203,-
Can Shelf Type GR-C, galvanized	B	133,-	70,-	203,-

Hazardous Materials Depot Type GD-N/R	Category	Price	Freight charges	Price including freight charges
GD-N/R 2, galvanized	C	1509,-	258,-	1767,-
Intermediate Storage Level ZB, galvanized, for Hazardous Materials Depot	C	102,-	18,-	120,-
Drum Support FA 60-1, hot-dip galvanized	B	105,-	15,-	120,-
Can Shelf Type GR-A, galvanized	B	133,-	70,-	203,-
Can Shelf Type GR-B, galvanized	B	133,-	70,-	203,-
Can Shelf Type GR-C, galvanized	B	133,-	70,-	203,-
GD-N/R 4, galvanized	C	1836,-	258,-	2094,-
Intermediate Storage Level ZB, galvanized, for Hazardous Materials Depot	C	102,-	18,-	120,-
Drum Support FA 60-1, hot-dip galvanized	B	105,-	15,-	120,-
Drum Support FA 60-2, hot-dip galvanized	B	114,-	18,-	132,-
Drum Support FA 200-1, hot-dip galvanized	B	114,-	15,-	129,-
Drum Support FA 200-2, hot-dip galvanized	B	133,-	22,-	155,-
Can Shelf Type GR-A, galvanized	B	133,-	70,-	203,-
Can Shelf Type GR-B, galvanized	B	133,-	70,-	203,-
Can Shelf Type GR-C, galvanized	B	133,-	70,-	203,-

Gas Cylinder Containers Type GFC	Category	Price	Freight charges	Price including freight charges
GFC-1 (grid floor), painted	B	4596,-	on request	on request
Access Ramp for Gas Cylinder Container GFC, hot-dip galvanized	B	157,-	22,-	179,-
GFC-2 (stud plate floor), painted	B	4665,-	on request	on request
Access Ramp for Gas Cylinder Container GFC, hot-dip galvanized	B	157,-	22,-	179,-

Prices in EUR, valid EXW DE-46354 Südlohn, DE-38820 Halberstadt, unpacked
Freight charges valid CPT Finland, islands and oversea territories excluded

Price List 0424 en-FI

Environment / Storage



Gas Cylinder Containers Type GFC-B	Category	Price	Freight charges	Price including freight charges
GFC-B M0, painted	B	3290,-	899,-	4189,-
Fixture with Safety Chain to Secure Gas Cylinders, hot-dip galvanized	B	69,-	12,-	81,-
GFC-B M1, painted	B	3815,-	1393,-	5208,-
Fixture with Safety Chain to Secure Gas Cylinders, hot-dip galvanized	B	69,-	12,-	81,-
GFC-B M2, painted	B	3974,-	1393,-	5367,-
Fixture with Safety Chain to Secure Gas Cylinders, hot-dip galvanized	B	69,-	12,-	81,-
Rack for Gas Cylinders Type GFG, galvanized	B	197,-	127,-	324,-
GFC-B M3, painted	B	4600,-	1393,-	5993,-
Fixture with Safety Chain to Secure Gas Cylinders, hot-dip galvanized	B	69,-	12,-	81,-
Rack for Gas Cylinders Type GFG, galvanized	B	197,-	127,-	324,-
GFC-B M4, painted	B	5173,-	1785,-	6958,-
Fixture with Safety Chain to Secure Gas Cylinders, hot-dip galvanized	B	69,-	12,-	81,-
Rack for Gas Cylinders Type GFG, galvanized	B	197,-	127,-	324,-
GFC-B M5, painted	B	7187,-	1785,-	8972,-
Fixture with Safety Chain to Secure Gas Cylinders, hot-dip galvanized	B	69,-	12,-	81,-
Rack for Gas Cylinders Type GFG, galvanized	B	197,-	127,-	324,-

Gas Cylinder Containers Type GFC-B/W	Category	Price	Freight charges	Price including freight charges
GFC-B/W M1, painted	B	4073,-	1393,-	5466,-
Fixture with Safety Chain to Secure Gas Cylinders, hot-dip galvanized	B	69,-	12,-	81,-
GFC-B/W M2, painted	B	4271,-	1393,-	5664,-
Fixture with Safety Chain to Secure Gas Cylinders, hot-dip galvanized	B	69,-	12,-	81,-
GFC-B/W M3, painted	B	4904,-	1393,-	6297,-
Fixture with Safety Chain to Secure Gas Cylinders, hot-dip galvanized	B	69,-	12,-	81,-
GFC-B/W M4, painted	B	5483,-	1785,-	7268,-
Fixture with Safety Chain to Secure Gas Cylinders, hot-dip galvanized	B	69,-	12,-	81,-
Rack for Gas Cylinders Type GFG, galvanized	B	197,-	127,-	324,-
GFC-B/W M5, painted	B	7578,-	1785,-	9363,-
Fixture with Safety Chain to Secure Gas Cylinders, hot-dip galvanized	B	69,-	12,-	81,-
Rack for Gas Cylinders Type GFG, galvanized	B	197,-	127,-	324,-

Gas Cylinder Containers Type GFC-E/G	Category	Price	Freight charges	Price including freight charges
GFC-E/G M0, hot-dip galvanized	B	1487,-	258,-	1745,-
Fixture with Safety Chain to Secure Gas Cylinders, hot-dip galvanized	B	38,-	12,-	50,-
GFC-E/G M1, hot-dip galvanized	B	2116,-	1393,-	3509,-
Fixture with Safety Chain to Secure Gas Cylinders, hot-dip galvanized	B	38,-	12,-	50,-
Rack for Gas Cylinders Type GFG, galvanized	B	197,-	127,-	324,-
Access Ramp AR, galvanized	B	157,-	22,-	179,-
Central Dividing Wall, galvanized	B	84,-	22,-	106,-
GFC-E/G M2, hot-dip galvanized	B	2319,-	1393,-	3712,-
Fixture with Safety Chain to Secure Gas Cylinders, hot-dip galvanized	B	38,-	12,-	50,-
Rack for Gas Cylinders Type GFG, galvanized	B	197,-	127,-	324,-
Access Ramp AR, galvanized	B	157,-	22,-	179,-
Central Dividing Wall, galvanized	B	124,-	32,-	156,-
GFC-E/G M3, hot-dip galvanized	B	2580,-	1393,-	3973,-

Prices in EUR, valid EXW DE-46354 Südlohn, DE-38820 Halberstadt, unpacked
 Freight charges valid CPT Finland, islands and oversea territories excluded

Price List 0424 en-FI

Environment / Storage



Gas Cylinder Containers Type GFC-E/G	Category	Price	Freight charges	Price including freight charges
Fixture with Safety Chain to Secure Gas Cylinders, hot-dip galvanized	B	38,-	12,-	50,-
Rack for Gas Cylinders Type GFG, galvanized	B	197,-	127,-	324,-
Access Ramp AR, galvanized	B	157,-	22,-	179,-
Central Dividing Wall, galvanized	B	124,-	32,-	156,-
GFC-E/G M4, hot-dip galvanized	B	2797,-	1785,-	4582,-
Fixture with Safety Chain to Secure Gas Cylinders, hot-dip galvanized	B	38,-	12,-	50,-
Rack for Gas Cylinders Type GFG, galvanized	B	197,-	127,-	324,-
Access Ramp AR, galvanized	B	157,-	22,-	179,-
Central Dividing Wall, galvanized	B	124,-	32,-	156,-
GFC-E/G M5, hot-dip galvanized	B	3465,-	1785,-	5250,-
Fixture with Safety Chain to Secure Gas Cylinders, hot-dip galvanized	B	38,-	12,-	50,-
Rack for Gas Cylinders Type GFG, galvanized	B	197,-	127,-	324,-
Access Ramp AR, galvanized	B	157,-	22,-	179,-
Central Dividing Wall, galvanized	B	184,-	40,-	224,-

Gas Cylinder Containers Type GFC-E/T	Category	Price	Freight charges	Price including freight charges
GFC-E/T M0, hot-dip galvanized	B	1507,-	258,-	1765,-
Fixture with Safety Chain to Secure Gas Cylinders, hot-dip galvanized	B	38,-	12,-	50,-
GFC-E/T M1, hot-dip galvanized	B	2153,-	1393,-	3546,-
Fixture with Safety Chain to Secure Gas Cylinders, hot-dip galvanized	B	38,-	12,-	50,-
Rack for Gas Cylinders Type GFG, galvanized	B	197,-	127,-	324,-
Access Ramp AR, galvanized	B	157,-	22,-	179,-
Central Dividing Wall, galvanized	B	84,-	22,-	106,-
GFC-E/T M2, hot-dip galvanized	B	2365,-	1393,-	3758,-
Fixture with Safety Chain to Secure Gas Cylinders, hot-dip galvanized	B	38,-	12,-	50,-
Rack for Gas Cylinders Type GFG, galvanized	B	197,-	127,-	324,-
Access Ramp AR, galvanized	B	157,-	22,-	179,-
Central Dividing Wall, galvanized	B	124,-	32,-	156,-
GFC-E/T M3, hot-dip galvanized	B	2644,-	1393,-	4037,-
Fixture with Safety Chain to Secure Gas Cylinders, hot-dip galvanized	B	38,-	12,-	50,-
Rack for Gas Cylinders Type GFG, galvanized	B	197,-	127,-	324,-
Access Ramp AR, galvanized	B	157,-	22,-	179,-
Central Dividing Wall, galvanized	B	124,-	32,-	156,-
GFC-E/T M4, hot-dip galvanized	B	2859,-	1785,-	4644,-
Fixture with Safety Chain to Secure Gas Cylinders, hot-dip galvanized	B	38,-	12,-	50,-
Rack for Gas Cylinders Type GFG, galvanized	B	197,-	127,-	324,-
Access Ramp AR, galvanized	B	157,-	22,-	179,-
Central Dividing Wall, galvanized	B	124,-	32,-	156,-
GFC-E/T M5, hot-dip galvanized	B	3553,-	1785,-	5338,-
Fixture with Safety Chain to Secure Gas Cylinders, hot-dip galvanized	B	38,-	12,-	50,-
Rack for Gas Cylinders Type GFG, galvanized	B	197,-	127,-	324,-
Access Ramp AR, galvanized	B	157,-	22,-	179,-
Central Dividing Wall, galvanized	B	184,-	40,-	224,-

Prices in EUR, valid EXW DE-46354 Südlohn, DE-38820 Halberstadt, unpacked
Freight charges valid CPT Finland, islands and oversea territories excluded

Price List 0424 en-FI

Environment / Storage



Gas Cylinder Containers Type GFC-M/D	Category	Price	Freight charges	Price including freight charges
GFC-M0/D, hot-dip galvanized	B	993,-	179,-	1172,-
Grid Floor for Gas Cylinder Container GFC-M0, hot-dip galvanized	B	146,-	72,-	218,-
Fixture with Safety Chain to Secure Gas Cylinders, hot-dip galvanized	B	38,-	12,-	50,-
GFC-M1/D, hot-dip galvanized	B	1204,-	258,-	1462,-
Grid Floor for Gas Cylinder Container GFC-M1, hot-dip galvanized	B	264,-	127,-	391,-
Fixture with Safety Chain to Secure Gas Cylinders, hot-dip galvanized	B	38,-	12,-	50,-
Rack for Gas Cylinders Type GFG, galvanized	B	197,-	127,-	324,-
GFC-M2/D, hot-dip galvanized	B	1282,-	258,-	1540,-
Grid Floor for Gas Cylinder Container GFC-M2, hot-dip galvanized	B	362,-	127,-	489,-
Fixture with Safety Chain to Secure Gas Cylinders, hot-dip galvanized	B	38,-	12,-	50,-
Rack for Gas Cylinders Type GFG, galvanized	B	197,-	127,-	324,-
GFC-M3/D, hot-dip galvanized	B	1447,-	258,-	1705,-
Grid Floor for Gas Cylinder Container GFC-M3, hot-dip galvanized	B	492,-	179,-	671,-
Fixture with Safety Chain to Secure Gas Cylinders, hot-dip galvanized	B	38,-	12,-	50,-
Rack for Gas Cylinders Type GFG, galvanized	B	197,-	127,-	324,-
GFC-M4/D, hot-dip galvanized	B	1546,-	258,-	1804,-
Grid Floor for Gas Cylinder Container GFC-M4, hot-dip galvanized	B	605,-	179,-	784,-
Fixture with Safety Chain to Secure Gas Cylinders, hot-dip galvanized	B	38,-	12,-	50,-
Rack for Gas Cylinders Type GFG, galvanized	B	197,-	127,-	324,-
GFC-M5/D, hot-dip galvanized	B	1838,-	331,-	2169,-
Grid Floor for Gas Cylinder Container GFC-M5, hot-dip galvanized	B	739,-	179,-	918,-
Fixture with Safety Chain to Secure Gas Cylinders, hot-dip galvanized	B	38,-	12,-	50,-
Rack for Gas Cylinders Type GFG, galvanized	B	197,-	127,-	324,-
Gas Cylinder Containers Type GFC-M	Category	Price	Freight charges	Price including freight charges
GFC-M1, hot-dip galvanized	B	1063,-	179,-	1242,-
Grid Floor for Gas Cylinder Container GFC-M1, hot-dip galvanized	B	264,-	127,-	391,-
Fixture with Safety Chain to Secure Gas Cylinders, hot-dip galvanized	B	38,-	12,-	50,-
Rack for Gas Cylinders Type GFG, galvanized	B	197,-	127,-	324,-
GFC-M2, hot-dip galvanized	B	1129,-	258,-	1387,-
Grid Floor for Gas Cylinder Container GFC-M2, hot-dip galvanized	B	362,-	127,-	489,-
Fixture with Safety Chain to Secure Gas Cylinders, hot-dip galvanized	B	38,-	12,-	50,-
Rack for Gas Cylinders Type GFG, galvanized	B	197,-	127,-	324,-
GFC-M3, hot-dip galvanized	B	1267,-	258,-	1525,-
Grid Floor for Gas Cylinder Container GFC-M3, hot-dip galvanized	B	492,-	179,-	671,-
Fixture with Safety Chain to Secure Gas Cylinders, hot-dip galvanized	B	38,-	12,-	50,-
Rack for Gas Cylinders Type GFG, galvanized	B	197,-	127,-	324,-
GFC-M4, hot-dip galvanized	B	1333,-	258,-	1591,-
Grid Floor for Gas Cylinder Container GFC-M4, hot-dip galvanized	B	605,-	179,-	784,-
Fixture with Safety Chain to Secure Gas Cylinders, hot-dip galvanized	B	38,-	12,-	50,-
Rack for Gas Cylinders Type GFG, galvanized	B	197,-	127,-	324,-
GFC-M5, hot-dip galvanized	B	1547,-	258,-	1805,-
Grid Floor for Gas Cylinder Container GFC-M5, hot-dip galvanized	B	739,-	179,-	918,-
Fixture with Safety Chain to Secure Gas Cylinders, hot-dip galvanized	B	38,-	12,-	50,-
Rack for Gas Cylinders Type GFG, galvanized	B	197,-	127,-	324,-

Prices in EUR, valid EXW DE-46354 Südlohn, DE-38820 Halberstadt, unpacked
Freight charges valid CPT Finland, islands and oversea territories excluded

Price List 0424 en-FI

Environment / Storage



Gas Cylinder Containers Type GFC-M/D-DF	Category	Price	Freight charges	Price including freight charges
GFC-M1/D-DF, hot-dip galvanized	B	1375,-	258,-	1633,-
Grid Floor for Gas Cylinder Container GFC-M1, hot-dip galvanized	B	264,-	127,-	391,-
Fixture with Safety Chain to Secure Gas Cylinders, hot-dip galvanized	B	38,-	12,-	50,-
Rack for Gas Cylinders Type GFG, galvanized	B	197,-	127,-	324,-
GFC-M2/D-DF, hot-dip galvanized	B	1452,-	258,-	1710,-
Grid Floor for Gas Cylinder Container GFC-M2, hot-dip galvanized	B	362,-	127,-	489,-
Fixture with Safety Chain to Secure Gas Cylinders, hot-dip galvanized	B	38,-	12,-	50,-
Rack for Gas Cylinders Type GFG, galvanized	B	197,-	127,-	324,-
GFC-M3/D-DF, hot-dip galvanized	B	1618,-	258,-	1876,-
Grid Floor for Gas Cylinder Container GFC-M3, hot-dip galvanized	B	492,-	179,-	671,-
Fixture with Safety Chain to Secure Gas Cylinders, hot-dip galvanized	B	38,-	12,-	50,-
Rack for Gas Cylinders Type GFG, galvanized	B	197,-	127,-	324,-
GFC-M4/D-DF, hot-dip galvanized	B	1748,-	331,-	2079,-
Grid Floor for Gas Cylinder Container GFC-M4, hot-dip galvanized	B	605,-	179,-	784,-
Fixture with Safety Chain to Secure Gas Cylinders, hot-dip galvanized	B	38,-	12,-	50,-
Rack for Gas Cylinders Type GFG, galvanized	B	197,-	127,-	324,-
GFC-M5/D-DF, hot-dip galvanized	B	2040,-	331,-	2371,-
Grid Floor for Gas Cylinder Container GFC-M5, hot-dip galvanized	B	739,-	179,-	918,-
Fixture with Safety Chain to Secure Gas Cylinders, hot-dip galvanized	B	38,-	12,-	50,-
Rack for Gas Cylinders Type GFG, galvanized	B	197,-	127,-	324,-
Gas Cylinder Containers Type GFC-M-DF	Category	Price	Freight charges	Price including freight charges
GFC-M1-DF, hot-dip galvanized	B	1232,-	179,-	1411,-
Grid Floor for Gas Cylinder Container GFC-M1, hot-dip galvanized	B	264,-	127,-	391,-
Fixture with Safety Chain to Secure Gas Cylinders, hot-dip galvanized	B	38,-	12,-	50,-
Rack for Gas Cylinders Type GFG, galvanized	B	197,-	127,-	324,-
GFC-M2-DF, hot-dip galvanized	B	1300,-	258,-	1558,-
Grid Floor for Gas Cylinder Container GFC-M2, hot-dip galvanized	B	362,-	127,-	489,-
Fixture with Safety Chain to Secure Gas Cylinders, hot-dip galvanized	B	38,-	12,-	50,-
Rack for Gas Cylinders Type GFG, galvanized	B	197,-	127,-	324,-
GFC-M3-DF, hot-dip galvanized	B	1439,-	258,-	1697,-
Grid Floor for Gas Cylinder Container GFC-M3, hot-dip galvanized	B	492,-	179,-	671,-
Fixture with Safety Chain to Secure Gas Cylinders, hot-dip galvanized	B	38,-	12,-	50,-
Rack for Gas Cylinders Type GFG, galvanized	B	197,-	127,-	324,-
GFC-M4-DF, hot-dip galvanized	B	1537,-	258,-	1795,-
Grid Floor for Gas Cylinder Container GFC-M4, hot-dip galvanized	B	605,-	179,-	784,-
Fixture with Safety Chain to Secure Gas Cylinders, hot-dip galvanized	B	38,-	12,-	50,-
Rack for Gas Cylinders Type GFG, galvanized	B	197,-	127,-	324,-
GFC-M5-DF, hot-dip galvanized	B	1750,-	331,-	2081,-
Grid Floor for Gas Cylinder Container GFC-M5, hot-dip galvanized	B	739,-	179,-	918,-
Fixture with Safety Chain to Secure Gas Cylinders, hot-dip galvanized	B	38,-	12,-	50,-
Rack for Gas Cylinders Type GFG, galvanized	B	197,-	127,-	324,-
Gas Cylinder Depot Type GFD-G	Category	Price	Freight charges	Price including freight charges
GFD-G 1, galvanized	B	414,-	179,-	593,-

Prices in EUR, valid EXW DE-46354 Südlohn, DE-38820 Halberstadt, unpacked
Freight charges valid CPT Finland, islands and oversea territories excluded

Price List 0424 en-FI

Environment / Storage



Gas Cylinder Depot Type GFD-G	Category	Price	Freight charges	Price including freight charges
GFD-G 2, galvanized	B	763,-	179,-	942,-
Gas Cylinder Depot Type GFD-L	Category	Price	Freight charges	Price including freight charges
GFD-L 1, galvanized	B	446,-	127,-	573,-
GFD-L 2, galvanized	B	850,-	179,-	1029,-
Gas Cylinder Depot Type GFD-R	Category	Price	Freight charges	Price including freight charges
GFD-R 2, painted	B	747,-	127,-	874,-
GFD-R 2, hot-dip galvanized	B	771,-	127,-	898,-
GFD-R 4, painted	B	849,-	127,-	976,-
GFD-R 4, hot-dip galvanized	B	878,-	127,-	1005,-
Hazardous Materials Cabinet Type GS	Category	Price	Freight charges	Price including freight charges
GS-1, painted	B	762,-	179,-	941,-
Intermediate Storage Level, galvanized	B	86,-	14,-	100,-
GS-1, hot-dip galvanized	B	820,-	179,-	999,-
Intermediate Storage Level, galvanized	B	86,-	14,-	100,-
GS-2, painted	B	1013,-	258,-	1271,-
Intermediate Storage Level, galvanized	B	86,-	14,-	100,-
GS-2, hot-dip galvanized	B	1100,-	258,-	1358,-
Intermediate Storage Level, galvanized	B	86,-	14,-	100,-
GS-3, painted	B	2070,-	331,-	2401,-
GS-3, hot-dip galvanized	B	2217,-	331,-	2548,-
GS-4, painted	B	2081,-	899,-	2980,-
GS-4, hot-dip galvanized	B	2260,-	899,-	3159,-
Gas Cylinder Wall Bracket Type GWH	Category	Price	Freight charges	Price including freight charges
GWH 140-I, hot-dip galvanized	F	25,-	70,-	95,-
GWH 140-II, hot-dip galvanized	F	38,-	70,-	108,-
GWH 140-III, hot-dip galvanized	F	57,-	70,-	127,-
GWH 230-I, hot-dip galvanized	F	27,-	70,-	97,-
GWH 230-II, hot-dip galvanized	F	41,-	70,-	111,-
GWH 230-III, hot-dip galvanized	F	62,-	70,-	132,-
GWH 320-I, hot-dip galvanized	F	28,-	70,-	98,-
GWH 320-II, hot-dip galvanized	F	46,-	70,-	116,-
GWH 320-III, hot-dip galvanized	F	69,-	70,-	139,-
Tilting Canister Stand Type KAH	Category	Price	Freight charges	Price including freight charges
KAH-5, galvanized	A	92,-	70,-	162,-
KAH-25, galvanized	A	105,-	70,-	175,-
KAH-60, galvanized	A	135,-	70,-	205,-
Spill Tray for Canisters/Small Cans Type KGW	Category	Price	Freight charges	Price including freight charges
KGW 1, galvanized	B	88,-	70,-	158,-
KGW 1 V4A, stainless steel 1.4571	B	270,-	70,-	340,-

Prices in EUR, valid EXW DE-46354 Südlohn, DE-38820 Halberstadt, unpacked
Freight charges valid CPT Finland, islands and oversea territories excluded

Price List 0424 en-FI

Environment / Storage



Spill Tray for Canisters/Small Cans Type KGW	Category	Price	Freight charges	Price including freight charges
KGW 2, galvanized	B	92,-	70,-	162,-
KGW 2 V4A, stainless steel 1.4571	B	311,-	70,-	381,-
KGW 3, galvanized	B	96,-	70,-	166,-
KGW 3 V4A, stainless steel 1.4571	B	386,-	70,-	456,-
KGW 4, galvanized	B	113,-	127,-	240,-
KGW 4 V4A, stainless steel 1.4571	B	456,-	127,-	583,-
KGW 5, galvanized	B	155,-	127,-	282,-
KGW 5 V4A, stainless steel 1.4571	B	593,-	127,-	720,-

Spill Tray for Canisters/Small Cans Type KGW/M	Category	Price	Freight charges	Price including freight charges
KGW 1/M, galvanized	B	124,-	70,-	194,-
KGW 1/M V4A, stainless steel 1.4571	B	406,-	70,-	476,-
KGW 2/M, galvanized	B	132,-	70,-	202,-
KGW 2/M V4A, stainless steel 1.4571	B	468,-	70,-	538,-
KGW 3/M, galvanized	B	151,-	70,-	221,-
KGW 3/M V4A, stainless steel 1.4571	B	589,-	70,-	659,-
KGW 4/M, galvanized	B	175,-	127,-	302,-
KGW 4/M V4A, stainless steel 1.4571	B	705,-	127,-	832,-
KGW 5/M, galvanized	B	227,-	127,-	354,-
KGW 5/M V4A, stainless steel 1.4571	B	929,-	127,-	1056,-

Spill Tray for Canisters/Small Cans on Pallets Type KGW-P	Category	Price	Freight charges	Price including freight charges
KGW-P 1, galvanized	B	94,-	70,-	164,-
KGW-P 1 V4A, stainless steel 1.4571	B	266,-	70,-	336,-
KGW-P 2, galvanized	B	142,-	70,-	212,-
KGW-P 2 V4A, stainless steel 1.4571	B	382,-	70,-	452,-
KGW-P 3, galvanized	B	178,-	127,-	305,-
KGW-P 3 V4A, stainless steel 1.4571	B	586,-	70,-	656,-
KGW-P 4, galvanized	B	169,-	70,-	239,-
KGW-P 4 V4A, stainless steel 1.4571	B	450,-	70,-	520,-

Spill Tray for Canisters/Small Cans on Pallets Type KGW-P/M	Category	Price	Freight charges	Price including freight charges
KGW-P 1/M, galvanized	B	137,-	70,-	207,-
KGW-P 1/M V4A, stainless steel 1.4571	B	385,-	70,-	455,-
KGW-P 2/M, galvanized	B	210,-	70,-	280,-
KGW-P 2/M V4A, stainless steel 1.4571	B	559,-	70,-	629,-
KGW-P 3/M, galvanized	B	256,-	127,-	383,-
KGW-P 3/M V4A, stainless steel 1.4571	B	864,-	127,-	991,-
KGW-P 4/M, galvanized	B	241,-	70,-	311,-
KGW-P 4/M V4A, stainless steel 1.4571	B	694,-	70,-	764,-

Diesel Filling Point Type KPS	Category	Price	Freight charges	Price including freight charges
KPS 1, painted	B	2865,-	on request	on request
KPS 2, painted	B	3723,-	on request	on request
KPS 3, painted	B	5248,-	on request	on request

Prices in EUR, valid EXW DE-46354 Südlohn, DE-38820 Halberstadt, unpacked
Freight charges valid CPT Finland, islands and oversea territories excluded

Price List 0424 en-FI

Environment / Storage



Polyethylene Sump Tray for Pallets Type KWP-P	Category	Price	Freight charges	Price including freight charges
KWP-P 20, made of robust polyethylene	B	46,-	70,-	116,-
Deck with Punched Holes LR-PE 20, robust polyethylene, black	B	61,-	14,-	75,-
KWP-P 30, made of robust polyethylene	B	56,-	70,-	126,-
Deck with Punched Holes LR-PE 30, robust polyethylene, black	B	63,-	14,-	77,-
KWP-P 40, made of robust polyethylene	B	62,-	70,-	132,-
Deck with Punched Holes LR-PE 40, robust polyethylene, black	B	67,-	14,-	81,-
KWP-P 60, made of robust polyethylene	B	99,-	70,-	169,-
Deck with punched holes LR-PE 60, robust polyethylene, black	B	70,-	14,-	84,-
KWP-P 100, made of robust polyethylene	B	113,-	127,-	240,-
Deck with punched holes LR-PE 100, robust polyethylene, black	B	86,-	16,-	102,-

Mobile Sump Tray with Perforated Panel Type LPW	Category	Price	Freight charges	Price including freight charges
LPW 60-1, painted	B	605,-	127,-	732,-
Tool Deposit for Sump Trays with Perforated Panel Type LPW	B	30,-	16,-	46,-
Drip Tray for Sump Trays with Perforated Panel Type LPW	B	48,-	16,-	64,-
LPW 60-1, hot-dip galvanized	B	623,-	127,-	750,-
Tool Deposit for Sump Trays with Perforated Panel Type LPW	B	30,-	16,-	46,-
Drip Tray for Sump Trays with Perforated Panel Type LPW	B	48,-	16,-	64,-
LPW 60-2, painted	B	618,-	127,-	745,-
Tool Deposit for Sump Trays with Perforated Panel Type LPW	B	30,-	16,-	46,-
Drip Tray for Sump Trays with Perforated Panel Type LPW	B	48,-	16,-	64,-
LPW 60-2, hot-dip galvanized	B	638,-	127,-	765,-
Tool Deposit for Sump Trays with Perforated Panel Type LPW	B	30,-	16,-	46,-
Drip Tray for Sump Trays with Perforated Panel Type LPW	B	48,-	16,-	64,-
LPW 60-3, painted	B	624,-	127,-	751,-
Tool Deposit for Sump Trays with Perforated Panel Type LPW	B	30,-	16,-	46,-
Drip Tray for Sump Trays with Perforated Panel Type LPW	B	48,-	16,-	64,-
LPW 60-3, hot-dip galvanized	B	644,-	127,-	771,-
Tool Deposit for Sump Trays with Perforated Panel Type LPW	B	30,-	16,-	46,-
Drip Tray for Sump Trays with Perforated Panel Type LPW	B	48,-	16,-	64,-
LPW 200-1, painted	B	794,-	179,-	973,-
Tool Deposit for Sump Trays with Perforated Panel Type LPW	B	30,-	16,-	46,-
Drip Tray for Sump Trays with Perforated Panel Type LPW	B	48,-	16,-	64,-
LPW 200-1, hot-dip galvanized	B	827,-	179,-	1006,-
Tool Deposit for Sump Trays with Perforated Panel Type LPW	B	30,-	16,-	46,-
Drip Tray for Sump Trays with Perforated Panel Type LPW	B	48,-	16,-	64,-
LPW 200-2, painted	B	833,-	179,-	1012,-
Tool Deposit for Sump Trays with Perforated Panel Type LPW	B	30,-	16,-	46,-
Drip Tray for Sump Trays with Perforated Panel Type LPW	B	48,-	16,-	64,-
LPW 200-2, hot-dip galvanized	B	868,-	179,-	1047,-
Tool Deposit for Sump Trays with Perforated Panel Type LPW	B	30,-	16,-	46,-
Drip Tray for Sump Trays with Perforated Panel Type LPW	B	48,-	16,-	64,-
LPW 200-3, painted	B	848,-	179,-	1027,-
Tool Deposit for Sump Trays with Perforated Panel Type LPW	B	30,-	16,-	46,-
Drip Tray for Sump Trays with Perforated Panel Type LPW	B	48,-	16,-	64,-
LPW 200-3, hot-dip galvanized	B	883,-	179,-	1062,-

Prices in EUR, valid EXW DE-46354 Südlohn, DE-38820 Halberstadt, unpacked
Freight charges valid CPT Finland, islands and oversea territories excluded

Price List 0424 en-FI

Environment / Storage



Mobile Sump Tray with Perforated Panel Type LPW	Category	Price	Freight charges	Price including freight charges
Tool Deposit for Sump Trays with Perforated Panel Type LPW	B	30,-	16,-	46,-
Drip Tray for Sump Trays with Perforated Panel Type LPW	B	48,-	16,-	64,-
LPW 200-4, painted	B	1019,-	179,-	1198,-
LPW 200-4, hot-dip galvanized	B	1049,-	179,-	1228,-
Modular Sump Tray Type MAW	Category	Price	Freight charges	Price including freight charges
MAW, painted	B	324,-	127,-	451,-
MAW, hot-dip galvanized	B	353,-	127,-	480,-
Element No. 1: grid grate incl. supportS, painted	B	75,-	18,-	93,-
Element No. 2: galvanized handle + castors	B	133,-	19,-	152,-
Element No. 3: runners, painted	B	99,-	15,-	114,-
Element No. 3: runners, hot-dip galvanized	B	63,-	15,-	78,-
Element No. 6: surround, galvanized	B	580,-	127,-	707,-
Spline Sump Type PW	Category	Price	Freight charges	Price including freight charges
PW 200-2, painted	B	236,-	127,-	363,-
PW 200-2, hot-dip galvanized	B	227,-	127,-	354,-
PW 200-4, painted	B	261,-	127,-	388,-
PW 200-4, hot-dip galvanized	B	252,-	127,-	379,-
PW 400-4, painted	B	337,-	127,-	464,-
PW 400-4, hot-dip galvanized	B	320,-	127,-	447,-
Spline Sump Type PWE	Category	Price	Freight charges	Price including freight charges
PWE 200-2, painted	B	209,-	127,-	336,-
PWE 200-2, hot-dip galvanized	B	200,-	127,-	327,-
PWE 200-4, painted	B	228,-	127,-	355,-
PWE 200-4, hot-dip galvanized	B	220,-	127,-	347,-
PWE 400-4, painted	B	278,-	127,-	405,-
PWE 400-4, hot-dip galvanized	B	268,-	127,-	395,-
Hazardous Materials Cabinet with Roller Shutter Door Type RSG	Category	Price	Freight charges	Price including freight charges
RSG-1, painted	B	1841,-	179,-	2020,-
Set of 4 Feet, height adjustable	B	77,-	9,-	86,-
RSG-2, painted	B	1855,-	179,-	2034,-
Set of 4 Feet, height adjustable	B	77,-	9,-	86,-
RSG-3, painted	B	1904,-	179,-	2083,-
Set of 4 Feet, height adjustable	B	77,-	9,-	86,-
RSG-4, painted	B	2037,-	258,-	2295,-
Set of 4 Feet, height adjustable	B	77,-	9,-	86,-
Shelf Sump with Polyethylene Inlay Type RW PE	Category	Price	Freight charges	Price including freight charges
RW 1800 PE, painted	B	1008,-	179,-	1187,-
RW 1800 PE, hot-dip galvanized	B	1062,-	179,-	1241,-
RW 2200-1 PE, painted	B	1052,-	179,-	1231,-
RW 2200-1 PE, hot-dip galvanized	B	1108,-	179,-	1287,-

Prices in EUR, valid EXW DE-46354 Südlohn, DE-38820 Halberstadt, unpacked
Freight charges valid CPT Finland, islands and oversea territories excluded

Price List 0424 en-FI

Environment / Storage



Shelf Sump with Polyethylene Inlay Type RW PE	Category	Price	Freight charges	Price including freight charges
RW 2200-2 PE, painted	B	1232,-	179,-	1411,-
RW 2200-2 PE, hot-dip galvanized	B	1295,-	179,-	1474,-
RW 2700-1 PE, painted	B	1070,-	229,-	1299,-
RW 2700-1 PE, hot-dip galvanized	B	1151,-	229,-	1380,-
RW 2700-2 PE, painted	B	1223,-	229,-	1452,-
RW 2700-2 PE, hot-dip galvanized	B	1318,-	229,-	1547,-
RW 2700-3 PE, painted	B	1416,-	229,-	1645,-
RW 2700-3 PE, hot-dip galvanized	B	1538,-	229,-	1767,-
RW 3300-1 PE, painted	B	1369,-	229,-	1598,-
RW 3300-1 PE, hot-dip galvanized	B	1458,-	229,-	1687,-
RW 3300-2 PE, painted	B	1483,-	229,-	1712,-
RW 3300-2 PE, hot-dip galvanized	B	1581,-	229,-	1810,-
RW 3300-3 PE, painted	B	1679,-	308,-	1987,-
RW 3300-3 PE, hot-dip galvanized	B	1787,-	308,-	2095,-

Shelf Sump Type RW	Category	Price	Freight charges	Price including freight charges
RW 1800, painted	B	489,-	127,-	616,-
RW 1800, hot-dip galvanized	B	542,-	127,-	669,-
RW 2200-1, painted	B	501,-	127,-	628,-
RW 2200-1, hot-dip galvanized	B	557,-	127,-	684,-
RW 2200-2, painted	B	514,-	179,-	693,-
RW 2200-2, hot-dip galvanized	B	576,-	179,-	755,-
RW 2700-1, painted	B	510,-	229,-	739,-
RW 2700-1, hot-dip galvanized	B	590,-	229,-	819,-
RW 2700-2, painted	B	586,-	229,-	815,-
RW 2700-2, hot-dip galvanized	B	682,-	229,-	911,-
RW 2700-3, painted	B	634,-	229,-	863,-
RW 2700-3, hot-dip galvanized	B	754,-	229,-	983,-
RW 3300-1, painted	B	657,-	229,-	886,-
RW 3300-1, hot-dip galvanized	B	747,-	229,-	976,-
RW 3300-2, painted	B	722,-	229,-	951,-
RW 3300-2, hot-dip galvanized	B	821,-	229,-	1050,-
RW 3300-3, painted	B	805,-	229,-	1034,-
RW 3300-3, hot-dip galvanized	B	913,-	229,-	1142,-

Shelf Sump with Polyethylene Inlay Type RW-GR PE	Category	Price	Freight charges	Price including freight charges
RW-GR 1800 PE, painted	B	1138,-	179,-	1317,-
RW-GR 1800 PE, hot-dip galvanized	B	1189,-	179,-	1368,-
RW-GR 2200-1 PE, painted	B	1212,-	179,-	1391,-
RW-GR 2200-1 PE, hot-dip galvanized	B	1268,-	179,-	1447,-
RW-GR 2200-2 PE, painted	B	1394,-	258,-	1652,-
RW-GR 2200-2 PE, hot-dip galvanized	B	1454,-	258,-	1712,-
RW-GR 2700-1 PE, painted	B	1268,-	308,-	1576,-
RW-GR 2700-1 PE, hot-dip galvanized	B	1347,-	308,-	1655,-
RW-GR 2700-2 PE, painted	B	1419,-	308,-	1727,-

Prices in EUR, valid EXW DE-46354 Südlohn, DE-38820 Halberstadt, unpacked
Freight charges valid CPT Finland, islands and oversea territories excluded

Price List 0424 en-FI

Environment / Storage



Shelf Sump with Polyethylene Inlay Type RW-GR PE	Category	Price	Freight charges	Price including freight charges
RW-GR 2700-2 PE, hot-dip galvanized	B	1516,-	308,-	1824,-
RW-GR 2700-3 PE, painted	B	1614,-	308,-	1922,-
RW-GR 2700-3 PE, hot-dip galvanized	B	1715,-	308,-	2023,-
RW-GR 3300-1 PE, painted	B	1729,-	308,-	2037,-
RW-GR 3300-1 PE, hot-dip galvanized	B	1818,-	308,-	2126,-
RW-GR 3300-2 PE, painted	B	1841,-	308,-	2149,-
RW-GR 3300-2 PE, hot-dip galvanized	B	1949,-	308,-	2257,-
RW-GR 3300-3 PE, painted	B	2038,-	381,-	2419,-
RW-GR 3300-3 PE, hot-dip galvanized	B	2146,-	381,-	2527,-

Shelf Sump Type RW-GR	Category	Price	Freight charges	Price including freight charges
RW-GR 1800, painted	B	619,-	179,-	798,-
RW-GR 1800, hot-dip galvanized	B	672,-	179,-	851,-
RW-GR 2200-1, painted	B	662,-	179,-	841,-
RW-GR 2200-1, hot-dip galvanized	B	719,-	179,-	898,-
RW-GR 2200-2, painted	B	676,-	258,-	934,-
RW-GR 2200-2, hot-dip galvanized	B	735,-	258,-	993,-
RW-GR 2700-1, painted	B	707,-	229,-	936,-
RW-GR 2700-1, hot-dip galvanized	B	787,-	308,-	1095,-
RW-GR 2700-2, painted	B	783,-	308,-	1091,-
RW-GR 2700-2, hot-dip galvanized	B	880,-	308,-	1188,-
RW-GR 2700-3, painted	B	831,-	308,-	1139,-
RW-GR 2700-3, hot-dip galvanized	B	933,-	308,-	1241,-
RW-GR 3300-1, painted	B	1016,-	308,-	1324,-
RW-GR 3300-1, hot-dip galvanized	B	1107,-	308,-	1415,-
RW-GR 3300-2, painted	B	1081,-	308,-	1389,-
RW-GR 3300-2, hot-dip galvanized	B	1188,-	308,-	1496,-
RW-GR 3300-3, painted	B	1165,-	308,-	1473,-
RW-GR 3300-3, hot-dip galvanized	B	1272,-	308,-	1580,-
RW-GR 3600-3, painted	B	1285,-	308,-	1593,-
RW-GR 3600-3, hot-dip galvanized	B	1432,-	308,-	1740,-

Safety Cabinet Type SIW	Category	Price	Freight charges	Price including freight charges
SIW 1005	B	575,-	127,-	702,-
SIW 2005	B	725,-	179,-	904,-

Diesel Filling Point Type TAW	Category	Price	Freight charges	Price including freight charges
TAW 1, painted	B	2365,-	on request	on request
TAW 2, painted	B	3086,-	on request	on request
TAW 3, painted	B	4447,-	on request	on request

Stainless Steel Sump Tray Type VAW	Category	Price	Freight charges	Price including freight charges
VAW-1, stainless steel 1.4571	B	956,-	127,-	1083,-
Grid, stainless steel 1.4571	B	477,-	14,-	491,-
Grid, hot-dip galvanized	B	68,-	14,-	82,-

Prices in EUR, valid EXW DE-46354 Südlohn, DE-38820 Halberstadt, unpacked
Freight charges valid CPT Finland, islands and oversea territories excluded

Price List 0424 en-FI

Environment / Storage



Stainless Steel Sump Tray Type VAW	Category	Price	Freight charges	Price including freight charges
VAW-2, stainless steel 1.4571	B	1042,-	127,-	1169,-
Grid, stainless steel 1.4571	B	706,-	16,-	722,-
Grid, hot-dip galvanized	B	91,-	38,-	129,-
VAW-4/A, stainless steel 1.4571	B	1194,-	127,-	1321,-
Grid, stainless steel 1.4571	B	1025,-	22,-	1047,-
Grid, hot-dip galvanized	B	119,-	22,-	141,-
VAW-4/B, stainless steel 1.4571	B	1459,-	127,-	1586,-
Grid, stainless steel 1.4571	B	1411,-	27,-	1438,-
Grid, hot-dip galvanized	B	163,-	27,-	190,-
VAW 1000, stainless steel 1.4571	B	2633,-	179,-	2812,-
Grid, stainless steel 1.4571	B	1143,-	28,-	1171,-
Grid, hot-dip galvanized	B	138,-	28,-	166,-
VAW 1000-2, stainless steel 1.4571	B	3216,-	229,-	3445,-
Grid, stainless steel 1.4571	B	2070,-	127,-	2197,-
Grid, hot-dip galvanized	B	224,-	127,-	351,-

Heating Chamber Type WK	Category	Price	Freight charges	Price including freight charges
WK 29-2 E65, painted	C	29650,-	on request	on request
WK 29-2 E85, painted	C	29815,-	on request	on request
WK 57-2 E65, painted	C	41623,-	on request	on request
WK 57-2 E85, painted	C	44000,-	on request	on request

Sump Tray Type WM	Category	Price	Freight charges	Price including freight charges
WM-2/200, hot-dip galvanized	B	280,-	127,-	407,-
Drum Support FA 60-1, hot-dip galvanized	B	105,-	15,-	120,-
Drum Support FA 60-2, hot-dip galvanized	B	114,-	18,-	132,-
Drum Support FA 60-3, hot-dip galvanized	B	133,-	21,-	154,-
Drum Support FA 200-1, hot-dip galvanized	B	114,-	15,-	129,-
Can Shelf Type GR-A, galvanized	B	133,-	70,-	203,-
Can Shelf Type GR-B, galvanized	B	133,-	70,-	203,-
Can Shelf Type GR-C, galvanized	B	133,-	70,-	203,-
WM-4/200, hot-dip galvanized	B	318,-	127,-	445,-
Drum Support FA 60-1, hot-dip galvanized	B	105,-	15,-	120,-
Drum Support FA 60-2, hot-dip galvanized	B	114,-	18,-	132,-
Drum Support FA 60-3, hot-dip galvanized	B	133,-	21,-	154,-
Drum Support FA 200-1, hot-dip galvanized	B	114,-	15,-	129,-
Drum Support FA 200-2, hot-dip galvanized	B	133,-	22,-	155,-
Can Shelf Type GR-A, galvanized	B	133,-	70,-	203,-
Can Shelf Type GR-B, galvanized	B	133,-	70,-	203,-
Can Shelf Type GR-C, galvanized	B	133,-	70,-	203,-
WM-4/400, hot-dip galvanized	B	382,-	179,-	561,-

Sump Tray Type WO	Category	Price	Freight charges	Price including freight charges
WO-2/200, hot-dip galvanized	B	213,-	127,-	340,-
WO-4/200, hot-dip galvanized	B	231,-	127,-	358,-

Prices in EUR, valid EXW DE-46354 Südlohn, DE-38820 Halberstadt, unpacked
 Freight charges valid CPT Finland, islands and oversea territories excluded

Price List 0424 en-FI

Environment / Storage



Sump Tray Type WO	Category	Price	Freight charges	Price including freight charges
WO-4/400, hot-dip galvanized	B	298,-	127,-	425,-
Polyethylene Sump Pallet Type WP	Category	Price	Freight charges	Price including freight charges
WP 1/11, made of robust polyethylene	B	1052,-	127,-	1179,-
WP 2/11, made of robust polyethylene	B	1330,-	127,-	1457,-
Dispensing Tray VB 2, robust polyethylene, blue	B	152,-	70,-	222,-
Polyethylene Sump Pallet Type WPA-PE	Category	Price	Freight charges	Price including freight charges
WPA-PE 2/2, made of robust polyethylene	B	313,-	127,-	440,-
WPA-PE 4/2, made of robust polyethylene	B	494,-	127,-	621,-
Polyethylene Sump Pallet Type WP-PE	Category	Price	Freight charges	Price including freight charges
WP-PE 1/11, made of robust polyethylene	B	1139,-	127,-	1266,-
Dispensing Tray VB 1, robust polyethylene, blue	B	163,-	70,-	233,-
WP-PE 2/11, made of robust polyethylene	B	1507,-	229,-	1736,-
Dispensing Tray VB 2, robust polyethylene, blue	B	152,-	70,-	222,-
WP-PE 2/2, made of robust polyethylene	B	290,-	127,-	417,-
WP-PE 4/2, made of robust polyethylene	B	453,-	127,-	580,-
WP-PE 4/4, made of robust polyethylene	B	470,-	127,-	597,-
WP-PE 8/11, made of robust polyethylene	B	1507,-	229,-	1736,-
Mobile Polyethylene Sump Tray Type WPT	Category	Price	Freight charges	Price including freight charges
WPT 230, made of robust polyethylene	B	519,-	127,-	646,-

Prices in EUR, valid EXW DE-46354 Südlohn, DE-38820 Halberstadt, unpacked
Freight charges valid CPT Finland, islands and oversea territories excluded

Price List 0424 en-FI Hazardous Materials Containers

Fluorescent Tube Box Type AL-D	Category	Price	Freight charges	Price including freight charges
AL-D 150, aluminium	C	500,-	127,-	627,-
AL-D 200, aluminium	C	551,-	127,-	678,-
Collecting Container Type ASB	Category	Price	Freight charges	Price including freight charges
ASB 250, hot-dip galvanized	C	1969,-	258,-	2227,-
ASB 450-I, hot-dip galvanized	C	2082,-	258,-	2340,-
Special Waste Container Type ASK	Category	Price	Freight charges	Price including freight charges
ASK 540-4, hot-dip galvanized	C	on request	on request	on request
Duo-Container Type DC	Category	Price	Freight charges	Price including freight charges
DC 450, hot-dip galvanized	C	2267,-	on request	on request
Stainless steel strainer	D	113,-	9,-	122,-
Wing nut spanner for M12, hot-dip galvanized	F	33,-	15,-	48,-
DC 1000, hot-dip galvanized	C	2408,-	on request	on request
Stainless steel strainer	D	113,-	9,-	122,-
Wing nut spanner for M12, hot-dip galvanized	F	33,-	15,-	48,-
Lithium-Ion Storage Container Type LIL	Category	Price	Freight charges	Price including freight charges
LIL 30, hot-dip galvanized	B	1871,-	127,-	1998,-
LIL 90, hot-dip galvanized	B	2720,-	179,-	2899,-
Castor Set, polyamide, Load capacity 1050 kg / castor set	A	150,-	15,-	165,-
LIL 220, hot-dip galvanized	B	4699,-	258,-	4957,-
Castor Set, polyamide, Load capacity 1050 kg / castor set	A	150,-	15,-	165,-
LIL 280, hot-dip galvanized	B	5685,-	258,-	5943,-
Castor Set, polyamide, Load capacity 1050 kg / castor set	A	150,-	15,-	165,-
MobiCont Type M 800	Category	Price	Freight charges	Price including freight charges
M 800, painted	C	1342,-	258,-	1600,-
Level Indicator	C	212,-	9,-	221,-
Funnel for filling, PP	D	65,-	9,-	74,-
Filling/Extraction lid	C	65,-	9,-	74,-
Lid, galvanized, without a lock	C	188,-	15,-	203,-
Lid, galvanized, with square lock	C	233,-	18,-	251,-
Lid, galvanized, with cylinder lock	C	233,-	18,-	251,-
Castor Set, polyamide, Load capacity 1350 kg / castor set	A	185,-	15,-	200,-
Hand Pump K 10 C, connects to drum thread, suitable for fuels and heating fuel	C	91,-	14,-	105,-
Hose Kit (1.5 m) for Hand Pump Type K 10 C, suitable for diesel and fuel	C	65,-	14,-	79,-
Hose Kit (3 m) for Hand Pump Type K 10 C, suitable for diesel and fuel	C	92,-	15,-	107,-
Hose Kit (4 m) for Hand Pump Type K 10 C, suitable for diesel and fuel	C	105,-	15,-	120,-
Electric Pump TecPump 400 DC 12V	C	492,-	15,-	507,-

Prices in EUR, valid EXW DE-46354 Südlohn, DE-38820 Halberstadt, unpacked
Freight charges valid CPT Finland, islands and oversea territories excluded

Price List 0424 en-FI

Hazardous Materials Containers



MobiCont Type M 800	Category	Price	Freight charges	Price including freight charges
Electric Pump TecPump 400 DC 24V	C	492,-	15,-	507,-
Electric Pump TecPump 600 AC 230V	C	492,-	15,-	507,-
M 800, hot-dip galvanized	C	1432,-	258,-	1690,-
Level Indicator	C	212,-	9,-	221,-
Funnel for filling, PP	D	65,-	9,-	74,-
Filling/Extraction lid	C	65,-	9,-	74,-
Lid, galvanized, without a lock	C	188,-	15,-	203,-
Lid, galvanized, with square lock	C	233,-	18,-	251,-
Lid, galvanized, with cylinder lock	C	233,-	18,-	251,-
Castor Set, polyamide, Load capacity 1350 kg / castor set	A	185,-	15,-	200,-
Hand Pump K 10 C, connects to drum thread, suitable for fuels and heating fuel	C	91,-	14,-	105,-
Hose Kit (1.5 m) for Hand Pump Type K 10 C, suitable for diesel and fuel	C	65,-	14,-	79,-
Hose Kit (3 m) for Hand Pump Type K 10 C, suitable for diesel and fuel	C	92,-	15,-	107,-
Hose Kit (4 m) for Hand Pump Type K 10 C, suitable for diesel and fuel	C	105,-	15,-	120,-
Electric Pump TecPump 400 DC 12V	C	492,-	15,-	507,-
Electric Pump TecPump 400 DC 24V	C	492,-	15,-	507,-
Electric Pump TecPump 600 AC 230V	C	492,-	15,-	507,-

MobiCont Type MD	Category	Price	Freight charges	Price including freight charges
MD 800, painted	C	1868,-	258,-	2126,-
Level Indicator	C	212,-	9,-	221,-
Hand Pump K 10 C, connects to drum thread, suitable for fuels and heating fuel	C	91,-	14,-	105,-
Hose Kit (1.5 m) for Hand Pump Type K 10 C, suitable for diesel and fuel	C	65,-	14,-	79,-
Hose Kit (3 m) for Hand Pump Type K 10 C, suitable for diesel and fuel	C	92,-	15,-	107,-
Hose Kit (4 m) for Hand Pump Type K 10 C, suitable for diesel and fuel	C	105,-	15,-	120,-
Electric Pump TecPump 400 DC 12V	C	492,-	15,-	507,-
Electric Pump TecPump 400 DC 24V	C	492,-	15,-	507,-
Electric Pump TecPump 600 AC 230V	C	492,-	15,-	507,-
MD 800, hot-dip galvanized	C	1956,-	258,-	2214,-
Level Indicator	C	212,-	9,-	221,-
Hand Pump K 10 C, connects to drum thread, suitable for fuels and heating fuel	C	91,-	14,-	105,-
Hose Kit (1.5 m) for Hand Pump Type K 10 C, suitable for diesel and fuel	C	65,-	14,-	79,-
Hose Kit (3 m) for Hand Pump Type K 10 C, suitable for diesel and fuel	C	92,-	15,-	107,-
Hose Kit (4 m) for Hand Pump Type K 10 C, suitable for diesel and fuel	C	105,-	15,-	120,-
Electric Pump TecPump 400 DC 12V	C	492,-	15,-	507,-
Electric Pump TecPump 400 DC 24V	C	492,-	15,-	507,-
Electric Pump TecPump 600 AC 230V	C	492,-	15,-	507,-

MobiCont Type MO	Category	Price	Freight charges	Price including freight charges
MO 800, painted	C	on request	on request	on request
Level Indicator	C	212,-	9,-	221,-
MO 800, hot-dip galvanized	C	on request	on request	on request
Level Indicator	C	212,-	9,-	221,-

Prices in EUR, valid EXW DE-46354 Südlohn, DE-38820 Halberstadt, unpacked
 Freight charges valid CPT Finland, islands and oversea territories excluded

Price List 0424 en-FI

Hazardous Materials Containers



Fuel Container Type MT	Category	Price	Freight charges	Price including freight charges
MT 450, hot-dip galvanized	C	2147,-	258,-	2405,-
Level Indicator	C	212,-	9,-	221,-
Hand Pump K 10 C, connects to drum thread, suitable for fuels and heating fuel	C	91,-	14,-	105,-
Digital Flow Counter FMT 3 with screwed joints	C	309,-	9,-	318,-
Electric Pump TecPump 400 DC 12V	C	492,-	12,-	504,-
Electric Pump TecPump 400 DC 24V	C	492,-	12,-	504,-
Electric Pump TecPump 600 AC 230V	C	492,-	12,-	504,-
Counter Z 400, Retrofit Kit for Electric Pumps TecPump 400 DC 12V, 400 DC 24V and 600 AC 230V	C	153,-	9,-	162,-
MT 600, hot-dip galvanized	C	2554,-	258,-	2812,-
Level Indicator	C	212,-	9,-	221,-
Hand Pump K 10 C, connects to drum thread, suitable for fuels and heating fuel	C	91,-	14,-	105,-
Digital Flow Counter FMT 3 with screwed joints	C	309,-	9,-	318,-
Electric Pump TecPump 400 DC 12V	C	492,-	12,-	504,-
Electric Pump TecPump 400 DC 24V	C	492,-	12,-	504,-
Electric Pump TecPump 600 AC 230V	C	492,-	12,-	504,-
Counter Z 400, Retrofit Kit for Electric Pumps TecPump 400 DC 12V, 400 DC 24V and 600 AC 230V	C	153,-	9,-	162,-
MT 1000, hot-dip galvanized	C	2761,-	331,-	3092,-
Level Indicator	C	212,-	9,-	221,-
Hand Pump K 10 C, connects to drum thread, suitable for fuels and heating fuel	C	91,-	14,-	105,-
Digital Flow Counter FMT 3 with screwed joints	C	309,-	9,-	318,-
Electric Pump TecPump 400 DC 12V	C	492,-	12,-	504,-
Electric Pump TecPump 400 DC 24V	C	492,-	12,-	504,-
Electric Pump TecPump 600 AC 230V	C	492,-	12,-	504,-
Counter Z 400, Retrofit Kit for Electric Pumps TecPump 400 DC 12V, 400 DC 24V and 600 AC 230V	C	153,-	9,-	162,-
MobiCont Type MW	Category	Price	Freight charges	Price including freight charges
MW 800, painted	C	1722,-	258,-	1980,-
Level Indicator	C	212,-	9,-	221,-
Filling coupling	C	51,-	8,-	59,-
Tank heating, 220 W	C	371,-	12,-	383,-
Tank fitting	B	64,-	9,-	73,-
Anti-siphon valve	D	68,-	8,-	76,-
Aeration/Vent valve	C	26,-	8,-	34,-
MW 800, hot-dip galvanized	C	1813,-	258,-	2071,-
Level Indicator	C	212,-	9,-	221,-
Filling coupling	C	51,-	8,-	59,-
Tank heating, 220 W	C	371,-	12,-	383,-
Tank fitting	B	64,-	9,-	73,-
Anti-siphon valve	D	68,-	8,-	76,-
Aeration/Vent valve	C	26,-	8,-	34,-
Special Waste Container Type SAF	Category	Price	Freight charges	Price including freight charges
SAF 450, hot-dip galvanized	C	on request	on request	on request
SAF 600, hot-dip galvanized	C	on request	on request	on request
SAF 1000, hot-dip galvanized	C	on request	on request	on request

Prices in EUR, valid EXW DE-46354 Südlohn, DE-38820 Halberstadt, unpacked
Freight charges valid CPT Finland, islands and oversea territories excluded

Price List 0424 en-FI

Hazardous Materials Containers



Large Salvage Packaging Type SAG	Category	Price	Freight charges	Price including freight charges
SAG 800, hot-dip galvanized	C	1102,-	258,-	1360,-
SAG 1500, hot-dip galvanized	C	2078,-	on request	on request
Polyethylene sacks, 25 pieces on roll	C	180,-	39,-	219,-
SAG 2100, hot-dip galvanized	C	2180,-	on request	on request
Polyethylene sacks, 25 pieces on roll	C	180,-	39,-	219,-
SAG 2700, hot-dip galvanized	C	2252,-	on request	on request
Polyethylene sacks, 25 pieces on roll	C	180,-	39,-	219,-

Special Waste Container Type SAP	Category	Price	Freight charges	Price including freight charges
SAP 450, hot-dip galvanized	C	on request	on request	on request
Polyethylene sacks, 50 pieces on roll - 0,085 mm	C	134,-	59,-	193,-
SAP 600, hot-dip galvanized	C	on request	on request	on request
Polyethylene sacks, 50 pieces on roll - 0,085 mm	C	134,-	59,-	193,-
SAP 800, hot-dip galvanized	C	on request	on request	on request
Polyethylene sacks, 50 pieces on roll - 0,085 mm	C	134,-	59,-	193,-

Special Waste Container Type SAP-1	Category	Price	Freight charges	Price including freight charges
SAP 450-1, hot-dip galvanized	C	on request	on request	on request
Polyethylene sacks, 50 pieces on roll - 0,085 mm	C	134,-	59,-	193,-
SAP 600-1, hot-dip galvanized	C	on request	on request	on request
Polyethylene sacks, 50 pieces on roll - 0,085 mm	C	134,-	59,-	193,-
SAP 800-1, hot-dip galvanized	C	on request	on request	on request
Polyethylene sacks, 50 pieces on roll - 0,085 mm	C	134,-	59,-	193,-
SAP 800-3, hot-dip galvanized	C	on request	on request	on request
Polyethylene sacks, 50 pieces on roll - 0,085 mm	C	134,-	59,-	193,-

Used Battery Container Type SAP 600 K	Category	Price	Freight charges	Price including freight charges
SAP 600 K, hot-dip galvanized	C	on request	on request	on request

Used Battery Container Type SAP 601 K	Category	Price	Freight charges	Price including freight charges
SAP 601 K, hot-dip galvanized	C	on request	on request	on request

Special Waste Container Type SAS	Category	Price	Freight charges	Price including freight charges
SAS 800, hot-dip galvanized	C	on request	on request	on request

Hazardous Materials Container Type SF	Category	Price	Freight charges	Price including freight charges
SF 240, hot-dip galvanized	C	on request	on request	on request

Fluorescent Tube Box Type SL	Category	Price	Freight charges	Price including freight charges
SL 150, painted	C	664,-	179,-	843,-
SL 150, hot-dip galvanized	C	794,-	179,-	973,-
SL 200, painted	C	740,-	179,-	919,-
SL 200, hot-dip galvanized	C	871,-	258,-	1129,-

Prices in EUR, valid EXW DE-46354 Südlohn, DE-38820 Halberstadt, unpacked
 Freight charges valid CPT Finland, islands and oversea territories excluded

Price List 0424 en-FI

Hazardous Materials Containers



Fluorescent Tube Box Type SL-D	Category	Price	Freight charges	Price including freight charges
SL-D 150, painted	C	731,-	179,-	910,-
Removable Tray, galvanized	C	84,-	10,-	94,-
SL-D 150, hot-dip galvanized	C	850,-	179,-	1029,-
Removable Tray, galvanized	C	84,-	10,-	94,-
SL-D 200, painted	C	808,-	179,-	987,-
Removable Tray, galvanized	C	84,-	10,-	94,-
SL-D 200, hot-dip galvanized	C	940,-	179,-	1119,-
Removable Tray, galvanized	C	84,-	10,-	94,-

Fluorescent Tube Box Type SL-N	Category	Price	Freight charges	Price including freight charges
SL-N 220, painted	C	831,-	179,-	1010,-
SL-N 220, hot-dip galvanized	C	969,-	179,-	1148,-

Special Waste Container Type SP	Category	Price	Freight charges	Price including freight charges
SP 100, hot-dip galvanized	C	on request	on request	on request
SP 240, hot-dip galvanized	C	on request	on request	on request

Transport Box for Aerosol Cans Type STB	Category	Price	Freight charges	Price including freight charges
STB 1000, hot-dip galvanized	C	on request	on request	on request
Polyethylene sacks, 50 pieces on roll	C	185,-	59,-	244,-
Absorbent felt, 100 pieces	C	353,-	70,-	423,-

Prices in EUR, valid EXW DE-46354 Südlohn, DE-38820 Halberstadt, unpacked
Freight charges valid CPT Finland, islands and oversea territories excluded