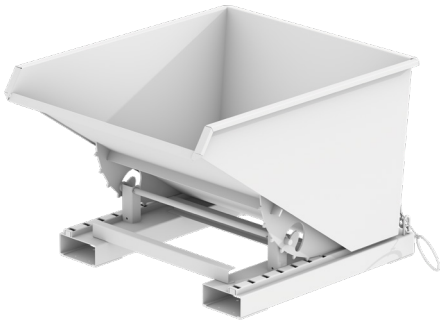


...made by



PRICE LIST 0424 EN-GB

FORKLIFT TRUCK ATTACHMENTS

WORKSPACE MATERIAL HANDLING

ENVIRONMENT / STORAGE

HAZARDOUS MATERIALS CONTAINERS

INNOVATION – CONSTRUCTION – PRODUCTION

... for more than 55 years

Prijislist 0424 en-GB

Forklift Truck Attachments

Drum Gripper Type 3P	Category	Price	Freight charges	Price including freight charges
3P, painted	B	910,-	184,-	1094,-
3P, hot-dip galvanized	B	956,-	184,-	1140,-

Tilting Container Type 3S	Category	Price	Freight charges	Price including freight charges
3S 300, painted	A	1201,-	263,-	1464,-
Lid, galvanized	A	168,-	18,-	186,-
Castor Set, polyamide, Load capacity 1050 kg / castor set	A	131,-	15,-	146,-
3S 300, hot-dip galvanized	A	1296,-	366,-	1662,-
Lid, galvanized	A	168,-	18,-	186,-
Castor Set, polyamide, Load capacity 1050 kg / castor set	A	131,-	15,-	146,-
3S 600, painted	A	1256,-	366,-	1622,-
Lid, galvanized	A	189,-	22,-	211,-
Castor Set, polyamide, Load capacity 1050 kg / castor set	A	131,-	15,-	146,-
3S 600, hot-dip galvanized	A	1354,-	366,-	1720,-
Lid, galvanized	A	189,-	22,-	211,-
Castor Set, polyamide, Load capacity 1050 kg / castor set	A	131,-	15,-	146,-

Automatic Tilting Container Type 4A	Category	Price	Freight charges	Price including freight charges
4A 600, painted	A	1065,-	263,-	1328,-
Lid, galvanized	A	189,-	22,-	211,-
Skip Body Welded Oil and Watertight	A	75,-	0,-	75,-
4A 600, hot-dip galvanized	A	1207,-	263,-	1470,-
Lid, galvanized	A	189,-	22,-	211,-
Skip Body Welded Oil and Watertight	A	75,-	0,-	75,-
4A 900, painted	A	1197,-	366,-	1563,-
Lid, galvanized	A	215,-	27,-	242,-
Skip Body Welded Oil and Watertight	A	75,-	0,-	75,-
4A 900, hot-dip galvanized	A	1375,-	366,-	1741,-
Lid, galvanized	A	215,-	27,-	242,-
Skip Body Welded Oil and Watertight	A	75,-	0,-	75,-
4A 1200, painted	A	1282,-	366,-	1648,-
Lid, galvanized	A	215,-	26,-	241,-
Skip Body Welded Oil and Watertight	A	116,-	0,-	116,-
4A 1200, hot-dip galvanized	A	1505,-	366,-	1871,-
Lid, galvanized	A	215,-	26,-	241,-
Skip Body Welded Oil and Watertight	A	116,-	0,-	116,-

Drum Gripper Type 4P	Category	Price	Freight charges	Price including freight charges
4P, painted	B	558,-	74,-	632,-
4P, hot-dip galvanized	B	532,-	74,-	606,-

Prices in EUR, valid EXW DE-46354 Südlohn, DE-38820 Halberstadt, unpacked
 Freight charges valid CPT Great Britain, islands & the following post code areas excluded: IC, ZE

Price List 0424 en-GB

Forklift Truck Attachments



Drum Gripper Type 4P-D	Category	Price	Freight charges	Price including freight charges
4P-D120, painted	B	558,-	74,-	632,-
4P-D120, hot-dip galvanized	B	532,-	74,-	606,-
4P-D220, painted	B	558,-	74,-	632,-
4P-D220, hot-dip galvanized	B	532,-	74,-	606,-

Tilting Container Type AK	Category	Price	Freight charges	Price including freight charges
AK 50, painted	A	774,-	263,-	1037,-
Lid, galvanized	A	135,-	16,-	151,-
Castor Set, polyamide, Load capacity 1050 kg / castor set	A	131,-	15,-	146,-
Skip Body Welded Oil and Watertight	A	75,-	0,-	75,-
AK 50, hot-dip galvanized	A	923,-	263,-	1186,-
Lid, galvanized	A	135,-	16,-	151,-
Castor Set, polyamide, Load capacity 1050 kg / castor set	A	131,-	15,-	146,-
Skip Body Welded Oil and Watertight	A	75,-	0,-	75,-
AK 75, painted	A	866,-	263,-	1129,-
Lid, galvanized	A	185,-	21,-	206,-
Castor Set, polyamide, Load capacity 1050 kg / castor set	A	131,-	15,-	146,-
Skip Body Welded Oil and Watertight	A	75,-	0,-	75,-
AK 75, hot-dip galvanized	A	1012,-	366,-	1378,-
Lid, galvanized	A	185,-	21,-	206,-
Castor Set, polyamide, Load capacity 1050 kg / castor set	A	131,-	15,-	146,-
Skip Body Welded Oil and Watertight	A	75,-	0,-	75,-
AK 100, painted	A	937,-	366,-	1303,-
Lid, galvanized	A	210,-	26,-	236,-
Castor Set, polyamide, Load capacity 1050 kg / castor set	A	131,-	15,-	146,-
Skip Body Welded Oil and Watertight	A	116,-	0,-	116,-
AK 100, hot-dip galvanized	A	1094,-	366,-	1460,-
Lid, galvanized	A	210,-	26,-	236,-
Castor Set, polyamide, Load capacity 1050 kg / castor set	A	131,-	15,-	146,-
Skip Body Welded Oil and Watertight	A	116,-	0,-	116,-
AK 150, painted	A	1196,-	366,-	1562,-
Lid, galvanized	A	294,-	28,-	322,-
Castor Set, polyamide, Load capacity 1050 kg / castor set	A	131,-	15,-	146,-
Skip Body Welded Oil and Watertight	A	116,-	0,-	116,-
AK 150, hot-dip galvanized	A	1399,-	366,-	1765,-
Lid, galvanized	A	294,-	28,-	322,-
Castor Set, polyamide, Load capacity 1050 kg / castor set	A	131,-	15,-	146,-
Skip Body Welded Oil and Watertight	A	116,-	0,-	116,-

Container for Building Materials Type BBG	Category	Price	Freight charges	Price including freight charges
BBG 100, painted	A	391,-	263,-	654,-
Lid, galvanized	A	182,-	149,-	331,-
BBG 100, hot-dip galvanized	A	479,-	263,-	742,-
Lid, galvanized	A	182,-	149,-	331,-

Prices in EUR, valid EXW DE-46354 Südlohn, DE-38820 Halberstadt, unpacked
 Freight charges valid CPT Great Britain, islands & the following post code areas excluded: IC, ZE

Price List 0424 en-GB

Forklift Truck Attachments



Container for Building Materials Type BBK	Category	Price	Freight charges	Price including freight charges
BBK 100, painted	A	479,-	263,-	742,-
Lid, galvanized	A	182,-	149,-	331,-
BBK 100, hot-dip galvanized	A	551,-	263,-	814,-
Lid, galvanized	A	182,-	149,-	331,-
Material Container Type BBM	Category	Price	Freight charges	Price including freight charges
BBM 500, painted	A	314,-	184,-	498,-
BBM 500, hot-dip galvanized	A	346,-	184,-	530,-
Container for Building Materials Type BBP	Category	Price	Freight charges	Price including freight charges
BBP 100, painted	A	418,-	184,-	602,-
Lid, galvanized	A	182,-	149,-	331,-
Pick-up cones (pins) and angle iron traverse lock	A	49,-	10,-	59,-
BBP 100, hot-dip galvanized	A	493,-	184,-	677,-
Lid, galvanized	A	182,-	149,-	331,-
Pick-up cones (pins) and angle iron traverse lock	A	49,-	10,-	59,-
Tilting Traverse for Containers for Building Material Containers Type BBT	Category	Price	Freight charges	Price including freight charges
BBT, painted	A	551,-	263,-	814,-
BBT, hot-dip galvanized	A	627,-	263,-	890,-
Building Materials Container Type BC	Category	Price	Freight charges	Price including freight charges
BC 500, painted	B	924,-	263,-	1187,-
Lid, galvanized	B	138,-	16,-	154,-
Castor Set, polyamide, Load capacity 1350 kg / castor set	A	185,-	15,-	200,-
BC 500, hot-dip galvanized	B	1139,-	366,-	1505,-
Lid, galvanized	B	138,-	16,-	154,-
Castor Set, polyamide, Load capacity 1350 kg / castor set	A	185,-	15,-	200,-
BC 500 (brick clamp operated), painted	B	991,-	263,-	1254,-
Lid, galvanized	B	138,-	16,-	154,-
Castor Set, polyamide, Load capacity 1350 kg / castor set	A	185,-	15,-	200,-
BC 500 (brick clamp operated), hot-dip galvanized	B	1207,-	366,-	1573,-
Lid, galvanized	B	138,-	16,-	154,-
Castor Set, polyamide, Load capacity 1350 kg / castor set	A	185,-	15,-	200,-
BC 1000, painted	B	1007,-	366,-	1373,-
Lid, galvanized	B	138,-	16,-	154,-
Castor Set, polyamide, Load capacity 1350 kg / castor set	A	185,-	15,-	200,-
BC 1000, hot-dip galvanized	B	1271,-	366,-	1637,-
Lid, galvanized	B	138,-	16,-	154,-
Castor Set, polyamide, Load capacity 1350 kg / castor set	A	185,-	15,-	200,-
BC 1000 (brick clamp operated), painted	B	1073,-	366,-	1439,-
Lid, galvanized	B	138,-	16,-	154,-
Castor Set, polyamide, Load capacity 1350 kg / castor set	A	185,-	15,-	200,-
BC 1000 (brick clamp operated), hot-dip galvanized	B	1339,-	366,-	1705,-
Lid, galvanized	B	138,-	16,-	154,-

Prices in EUR, valid EXW DE-46354 Südlohn, DE-38820 Halberstadt, unpacked
 Freight charges valid CPT Great Britain, islands & the following post code areas excluded: IC, ZE

Price List 0424 en-GB

Forklift Truck Attachments



Building Materials Container Type BC	Category	Price	Freight charges	Price including freight charges
Castor Set, polyamide, Load capacity 1350 kg / castor set	A	185,-	15,-	200,-
Tilting Container Type BK	Category	Price	Freight charges	Price including freight charges
BK 30, painted	A	676,-	263,-	939,-
Lid, galvanized	A	94,-	18,-	112,-
Castor Set, polyamide, Load capacity 1350 kg / castor set	A	185,-	15,-	200,-
Castor Set, polyamide, Load capacity 2550 kg / castor set	A	366,-	15,-	381,-
Skip Body Welded Oil and Watertight	A	75,-	0,-	75,-
BK 30, hot-dip galvanized	A	950,-	263,-	1213,-
Lid, galvanized	A	94,-	18,-	112,-
Castor Set, polyamide, Load capacity 1350 kg / castor set	A	185,-	15,-	200,-
Castor Set, polyamide, Load capacity 2550 kg / castor set	A	366,-	15,-	381,-
Skip Body Welded Oil and Watertight	A	75,-	0,-	75,-
BK 50, painted	A	950,-	263,-	1213,-
Lid, galvanized	A	94,-	20,-	114,-
Castor Set, polyamide, Load capacity 1350 kg / castor set	A	185,-	15,-	200,-
Castor Set, polyamide, Load capacity 2550 kg / castor set	A	366,-	15,-	381,-
Skip Body Welded Oil and Watertight	A	75,-	0,-	75,-
BK 50, hot-dip galvanized	A	1282,-	366,-	1648,-
Lid, galvanized	A	94,-	20,-	114,-
Castor Set, polyamide, Load capacity 1350 kg / castor set	A	185,-	15,-	200,-
Castor Set, polyamide, Load capacity 2550 kg / castor set	A	366,-	15,-	381,-
Skip Body Welded Oil and Watertight	A	75,-	0,-	75,-
BK 80, painted	A	1253,-	366,-	1619,-
Lid, galvanized	A	139,-	22,-	161,-
Castor Set, polyamide, Load capacity 1350 kg / castor set	A	185,-	15,-	200,-
Castor Set, polyamide, Load capacity 2550 kg / castor set	A	366,-	15,-	381,-
Skip Body Welded Oil and Watertight	A	75,-	0,-	75,-
BK 80, hot-dip galvanized	A	1752,-	366,-	2118,-
Lid, galvanized	A	139,-	22,-	161,-
Castor Set, polyamide, Load capacity 1350 kg / castor set	A	185,-	15,-	200,-
Castor Set, polyamide, Load capacity 2550 kg / castor set	A	366,-	15,-	381,-
Skip Body Welded Oil and Watertight	A	75,-	0,-	75,-
BK 100, painted	A	1457,-	366,-	1823,-
Lid, galvanized	A	167,-	27,-	194,-
Castor Set, polyamide, Load capacity 1350 kg / castor set	A	185,-	15,-	200,-
Castor Set, polyamide, Load capacity 2550 kg / castor set	A	366,-	15,-	381,-
Skip Body Welded Oil and Watertight	A	116,-	0,-	116,-
BK 100, hot-dip galvanized	A	2000,-	366,-	2366,-
Lid, galvanized	A	167,-	27,-	194,-
Castor Set, polyamide, Load capacity 1350 kg / castor set	A	185,-	15,-	200,-
Castor Set, polyamide, Load capacity 2550 kg / castor set	A	366,-	15,-	381,-
Skip Body Welded Oil and Watertight	A	116,-	0,-	116,-
BK 120, painted	A	1584,-	366,-	1950,-
Lid, galvanized	A	177,-	32,-	209,-
Castor Set, polyamide, Load capacity 1350 kg / castor set	A	185,-	15,-	200,-

Prices in EUR, valid EXW DE-46354 Südlohn, DE-38820 Halberstadt, unpacked
 Freight charges valid CPT Great Britain, islands & the following post code areas excluded: IC, ZE

Price List 0424 en-GB

Forklift Truck Attachments



Tilting Container Type BK	Category	Price	Freight charges	Price including freight charges
Castor Set, polyamide, Load capacity 2550 kg / castor set	A	366,-	15,-	381,-
Skip Body Welded Oil and Watertight	A	116,-	0,-	116,-
BK 120, hot-dip galvanized	A	2159,-	366,-	2525,-
Lid, galvanized	A	177,-	32,-	209,-
Castor Set, polyamide, Load capacity 1350 kg / castor set	A	185,-	15,-	200,-
Castor Set, polyamide, Load capacity 2550 kg / castor set	A	366,-	15,-	381,-
Skip Body Welded Oil and Watertight	A	116,-	0,-	116,-
BK 150, painted	A	1740,-	439,-	2179,-
Lid, galvanized	A	203,-	39,-	242,-
Castor Set, polyamide, Load capacity 1350 kg / castor set	A	185,-	15,-	200,-
Castor Set, polyamide, Load capacity 2550 kg / castor set	A	366,-	15,-	381,-
Skip Body Welded Oil and Watertight	A	116,-	0,-	116,-
BK 150, hot-dip galvanized	A	2361,-	439,-	2800,-
Lid, galvanized	A	203,-	39,-	242,-
Castor Set, polyamide, Load capacity 1350 kg / castor set	A	185,-	15,-	200,-
Castor Set, polyamide, Load capacity 2550 kg / castor set	A	366,-	15,-	381,-
Skip Body Welded Oil and Watertight	A	116,-	0,-	116,-
BK 200, painted	A	2164,-	439,-	2603,-
Lid, galvanized	A	215,-	149,-	364,-
Castor Set, polyamide, Load capacity 1350 kg / castor set	A	185,-	15,-	200,-
Castor Set, polyamide, Load capacity 2550 kg / castor set	A	366,-	15,-	381,-
Skip Body Welded Oil and Watertight	A	116,-	0,-	116,-
BK 200, hot-dip galvanized	A	2948,-	596,-	3544,-
Lid, galvanized	A	215,-	149,-	364,-
Castor Set, polyamide, Load capacity 1350 kg / castor set	A	185,-	15,-	200,-
Castor Set, polyamide, Load capacity 2550 kg / castor set	A	366,-	15,-	381,-
Skip Body Welded Oil and Watertight	A	116,-	0,-	116,-
Container With Drop Away Base Type BKB	Category	Price	Freight charges	Price including freight charges
BKB 500, painted	A	737,-	263,-	1000,-
Lid, galvanized	A	189,-	18,-	207,-
Castor Set, polyamide, Load capacity 1350 kg / castor set	A	185,-	15,-	200,-
BKB 500, hot-dip galvanized	A	876,-	263,-	1139,-
Lid, galvanized	A	189,-	18,-	207,-
Castor Set, polyamide, Load capacity 1350 kg / castor set	A	185,-	15,-	200,-
BKB 700, painted	A	788,-	263,-	1051,-
Lid, galvanized	A	189,-	18,-	207,-
Castor Set, polyamide, Load capacity 1350 kg / castor set	A	185,-	15,-	200,-
BKB 700, hot-dip galvanized	A	927,-	263,-	1190,-
Lid, galvanized	A	189,-	18,-	207,-
Castor Set, polyamide, Load capacity 1350 kg / castor set	A	185,-	15,-	200,-
BKB 1000, painted	A	835,-	263,-	1098,-
Lid, galvanized	A	189,-	18,-	207,-
Castor Set, polyamide, Load capacity 1350 kg / castor set	A	185,-	15,-	200,-
BKB 1000, hot-dip galvanized	A	994,-	263,-	1257,-
Lid, galvanized	A	189,-	18,-	207,-

Prices in EUR, valid EXW DE-46354 Südlohn, DE-38820 Halberstadt, unpacked
 Freight charges valid CPT Great Britain, islands & the following post code areas excluded: IC, ZE

Price List 0424 en-GB

Forklift Truck Attachments



Container With Drop Away Base Type BKB	Category	Price	Freight charges	Price including freight charges
Castor Set, polyamide, Load capacity 1350 kg / castor set	A	185,-	15,-	200,-

Tilting Container Type BKC	Category	Price	Freight charges	Price including freight charges
BKC 200, painted	A	2229,-	596,-	2825,-
Lid, galvanized	A	434,-	149,-	583,-
Skip Body Welded Oil and Watertight	A	116,-	0,-	116,-
BKC 200, hot-dip galvanized	A	2984,-	596,-	3580,-
Lid, galvanized	A	434,-	149,-	583,-
Skip Body Welded Oil and Watertight	A	116,-	0,-	116,-
BKC 300, painted	A	2471,-	596,-	3067,-
Lid, galvanized	A	434,-	149,-	583,-
Skip Body Welded Oil and Watertight	A	116,-	0,-	116,-
BKC 300, hot-dip galvanized	A	3253,-	596,-	3849,-
Lid, galvanized	A	434,-	149,-	583,-
Skip Body Welded Oil and Watertight	A	116,-	0,-	116,-
BKC 400, painted	A	3043,-	596,-	3639,-
Lid, galvanized	A	434,-	228,-	662,-
Skip Body Welded Oil and Watertight	A	116,-	0,-	116,-
BKC 400, hot-dip galvanized	A	3929,-	755,-	4684,-
Lid, galvanized	A	434,-	228,-	662,-
Skip Body Welded Oil and Watertight	A	116,-	0,-	116,-
BKC 500, painted	A	3535,-	755,-	4290,-
Lid, galvanized	A	434,-	228,-	662,-
Skip Body Welded Oil and Watertight	A	116,-	0,-	116,-
BKC 500, hot-dip galvanized	A	4484,-	755,-	5239,-
Lid, galvanized	A	434,-	228,-	662,-
Skip Body Welded Oil and Watertight	A	116,-	0,-	116,-

Tilting Container Type BKC-H	Category	Price	Freight charges	Price including freight charges
BKC-H 200, painted	A	3306,-	596,-	3902,-
Skip Body Welded Oil and Watertight	A	116,-	0,-	116,-
Lid, galvanized	A	434,-	149,-	583,-
BKC-H 200, hot-dip galvanized	A	4061,-	596,-	4657,-
Lid, galvanized	A	434,-	149,-	583,-
Skip Body Welded Oil and Watertight	A	116,-	0,-	116,-
BKC-H 300, painted	A	3548,-	596,-	4144,-
Skip Body Welded Oil and Watertight	A	116,-	0,-	116,-
Lid, galvanized	A	434,-	149,-	583,-
BKC-H 300, hot-dip galvanized	A	4331,-	596,-	4927,-
Lid, galvanized	A	434,-	149,-	583,-
Skip Body Welded Oil and Watertight	A	116,-	0,-	116,-
BKC-H 400, painted	A	4120,-	596,-	4716,-
Lid, galvanized	A	434,-	228,-	662,-
Skip Body Welded Oil and Watertight	A	116,-	0,-	116,-
BKC-H 400, hot-dip galvanized	A	5006,-	755,-	5761,-

Prices in EUR, valid EXW DE-46354 Südlohn, DE-38820 Halberstadt, unpacked
 Freight charges valid CPT Great Britain, islands & the following post code areas excluded: IC, ZE

Price List 0424 en-GB

Forklift Truck Attachments



Tilting Container Type BKC-H	Category	Price	Freight charges	Price including freight charges
Lid, galvanized	A	434,-	228,-	662,-
Skip Body Welded Oil and Watertight	A	116,-	0,-	116,-
BKC-H 500, painted	A	4612,-	755,-	5367,-
Lid, galvanized	A	434,-	228,-	662,-
Skip Body Welded Oil and Watertight	A	116,-	0,-	116,-
BKC-H 500, hot-dip galvanized	A	5561,-	755,-	6316,-
Skip Body Welded Oil and Watertight	A	116,-	0,-	116,-
Lid, galvanized	A	434,-	228,-	662,-

Tilting Container Type BKM	Category	Price	Freight charges	Price including freight charges
BKM 30, painted	A	676,-	263,-	939,-
Lid, galvanized	A	100,-	18,-	118,-
Castor Set, polyamide, Load capacity 1350 kg / castor set	A	185,-	15,-	200,-
Castor Set, polyamide, Load capacity 2550 kg / castor set	A	366,-	15,-	381,-
Skip Body Welded Oil and Watertight	A	75,-	0,-	75,-
BKM 30, hot-dip galvanized	A	950,-	263,-	1213,-
Lid, galvanized	A	100,-	18,-	118,-
Castor Set, polyamide, Load capacity 1350 kg / castor set	A	185,-	15,-	200,-
Castor Set, polyamide, Load capacity 2550 kg / castor set	A	366,-	15,-	381,-
Skip Body Welded Oil and Watertight	A	75,-	0,-	75,-
BKM 50, painted	A	950,-	263,-	1213,-
Lid, galvanized	A	125,-	21,-	146,-
Castor Set, polyamide, Load capacity 1350 kg / castor set	A	185,-	15,-	200,-
Castor Set, polyamide, Load capacity 2550 kg / castor set	A	366,-	15,-	381,-
Skip Body Welded Oil and Watertight	A	75,-	0,-	75,-
BKM 50, hot-dip galvanized	A	1282,-	263,-	1545,-
Lid, galvanized	A	125,-	21,-	146,-
Castor Set, polyamide, Load capacity 1350 kg / castor set	A	185,-	15,-	200,-
Castor Set, polyamide, Load capacity 2550 kg / castor set	A	366,-	15,-	381,-
Skip Body Welded Oil and Watertight	A	75,-	0,-	75,-
BKM 75, painted	A	1203,-	366,-	1569,-
Lid, galvanized	A	137,-	22,-	159,-
Castor Set, polyamide, Load capacity 1350 kg / castor set	A	185,-	15,-	200,-
Castor Set, polyamide, Load capacity 2550 kg / castor set	A	366,-	15,-	381,-
Skip Body Welded Oil and Watertight	A	75,-	0,-	75,-
BKM 75, hot-dip galvanized	A	1615,-	366,-	1981,-
Lid, galvanized	A	137,-	22,-	159,-
Castor Set, polyamide, Load capacity 1350 kg / castor set	A	185,-	15,-	200,-
Castor Set, polyamide, Load capacity 2550 kg / castor set	A	366,-	15,-	381,-
Skip Body Welded Oil and Watertight	A	75,-	0,-	75,-
BKM 100, painted	A	1457,-	366,-	1823,-
Lid, galvanized	A	178,-	27,-	205,-
Castor Set, polyamide, Load capacity 1350 kg / castor set	A	185,-	15,-	200,-
Castor Set, polyamide, Load capacity 2550 kg / castor set	A	366,-	15,-	381,-
Skip Body Welded Oil and Watertight	A	116,-	0,-	116,-
BKM 100, hot-dip galvanized	A	2000,-	366,-	2366,-

Prices in EUR, valid EXW DE-46354 Südlohn, DE-38820 Halberstadt, unpacked
 Freight charges valid CPT Great Britain, islands & the following post code areas excluded: IC, ZE

Price List 0424 en-GB

Forklift Truck Attachments



Tilting Container Type BKM	Category	Price	Freight charges	Price including freight charges
Lid, galvanized	A	178,-	27,-	205,-
Castor Set, polyamide, Load capacity 1350 kg / castor set	A	185,-	15,-	200,-
Castor Set, polyamide, Load capacity 2550 kg / castor set	A	366,-	15,-	381,-
Skip Body Welded Oil and Watertight	A	116,-	0,-	116,-
BKM 150, painted	A	1740,-	439,-	2179,-
Lid, galvanized	A	261,-	36,-	297,-
Castor Set, polyamide, Load capacity 1350 kg / castor set	A	185,-	15,-	200,-
Castor Set, polyamide, Load capacity 2550 kg / castor set	A	366,-	15,-	381,-
Skip Body Welded Oil and Watertight	A	116,-	0,-	116,-
BKM 150, hot-dip galvanized	A	2361,-	439,-	2800,-
Lid, galvanized	A	261,-	36,-	297,-
Castor Set, polyamide, Load capacity 1350 kg / castor set	A	185,-	15,-	200,-
Castor Set, polyamide, Load capacity 2550 kg / castor set	A	366,-	15,-	381,-
Skip Body Welded Oil and Watertight	A	116,-	0,-	116,-
BKM 200, painted	A	2164,-	439,-	2603,-
Lid, galvanized	A	291,-	149,-	440,-
Castor Set, polyamide, Load capacity 1350 kg / castor set	A	185,-	15,-	200,-
Castor Set, polyamide, Load capacity 2550 kg / castor set	A	366,-	15,-	381,-
Skip Body Welded Oil and Watertight	A	116,-	0,-	116,-
BKM 200, hot-dip galvanized	A	2948,-	596,-	3544,-
Lid, galvanized	A	291,-	149,-	440,-
Castor Set, polyamide, Load capacity 1350 kg / castor set	A	185,-	15,-	200,-
Castor Set, polyamide, Load capacity 2550 kg / castor set	A	366,-	15,-	381,-
Skip Body Welded Oil and Watertight	A	116,-	0,-	116,-
Traverse For Stacking Tipplers Type BKT	Category	Price	Freight charges	Price including freight charges
BKT 30, painted	A	355,-	263,-	618,-
Traverse Stand Type TS, hot-dip galvanized	A	75,-	9,-	84,-
BKT 55, painted	A	376,-	263,-	639,-
Traverse Stand Type TS, hot-dip galvanized	A	75,-	10,-	85,-
BKT 70, painted	A	376,-	263,-	639,-
Traverse Stand Type TS, hot-dip galvanized	A	75,-	10,-	85,-
BKT 90, painted	A	378,-	263,-	641,-
Traverse Stand Type TS, hot-dip galvanized	A	75,-	10,-	85,-
BKT 150, painted	A	609,-	263,-	872,-
Traverse Stand Type TS, hot-dip galvanized	A	75,-	10,-	85,-
BKT 200, painted	A	672,-	263,-	935,-
Traverse Stand Type TS, hot-dip galvanized	A	75,-	10,-	85,-
Shovel Type BSE	Category	Price	Freight charges	Price including freight charges
BSE 50, painted	A	1435,-	366,-	1801,-
BSE 75, painted	A	1709,-	366,-	2075,-
BSE 100, painted	A	2143,-	439,-	2582,-
BSE 150, painted	A	2422,-	439,-	2861,-
BSE 200, painted	A	2691,-	596,-	3287,-

Prices in EUR, valid EXW DE-46354 Südlohn, DE-38820 Halberstadt, unpacked
 Freight charges valid CPT Great Britain, islands & the following post code areas excluded: IC, ZE

Price List 0424 en-GB

Forklift Truck Attachments



Shovel Type BSE	Category	Price	Freight charges	Price including freight charges
BSE 250, painted	A	3316,-	646,-	3962,-
Shovel Type BSI	Category	Price	Freight charges	Price including freight charges
BSI 50, painted	A	1214,-	263,-	1477,-
BSI 75, painted	A	1375,-	366,-	1741,-
BSI 100, painted	A	1725,-	366,-	2091,-
Stacking Tipper Type BSK	Category	Price	Freight charges	Price including freight charges
BSK 30, painted	A	256,-	184,-	440,-
Lid, galvanized	A	66,-	12,-	78,-
Castor Set, polyamide, Load capacity 1350 kg / castor set	A	185,-	15,-	200,-
Skip Body Welded Oil and Watertight	A	75,-	0,-	75,-
Set of 5 self-adhesive stickers with symbols for: glass, paper, plastic, metal, residual waste	A	28,-	on request	on request
BSK 30, hot-dip galvanized	A	309,-	184,-	493,-
Lid, galvanized	A	66,-	12,-	78,-
Castor Set, polyamide, Load capacity 1350 kg / castor set	A	185,-	15,-	200,-
Skip Body Welded Oil and Watertight	A	75,-	0,-	75,-
Set of 5 self-adhesive stickers with symbols for: glass, paper, plastic, metal, residual waste	A	28,-	on request	on request
BSK 55, painted	A	320,-	184,-	504,-
Lid, galvanized	A	94,-	15,-	109,-
Castor Set, polyamide, Load capacity 1350 kg / castor set	A	185,-	15,-	200,-
Skip Body Welded Oil and Watertight	A	75,-	0,-	75,-
Set of 5 self-adhesive stickers with symbols for: glass, paper, plastic, metal, residual waste	A	28,-	on request	on request
BSK 55, hot-dip galvanized	A	391,-	184,-	575,-
Lid, galvanized	A	94,-	15,-	109,-
Castor Set, polyamide, Load capacity 1350 kg / castor set	A	185,-	15,-	200,-
Skip Body Welded Oil and Watertight	A	75,-	0,-	75,-
Set of 5 self-adhesive stickers with symbols for: glass, paper, plastic, metal, residual waste	A	28,-	on request	on request
BSK 70, painted	A	340,-	184,-	524,-
Lid, galvanized	A	117,-	15,-	132,-
Castor Set, polyamide, Load capacity 1350 kg / castor set	A	185,-	15,-	200,-
Skip Body Welded Oil and Watertight	A	75,-	0,-	75,-
Set of 5 self-adhesive stickers with symbols for: glass, paper, plastic, metal, residual waste	A	28,-	on request	on request
BSK 70, hot-dip galvanized	A	441,-	184,-	625,-
Lid, galvanized	A	117,-	15,-	132,-
Castor Set, polyamide, Load capacity 1350 kg / castor set	A	185,-	15,-	200,-
Skip Body Welded Oil and Watertight	A	75,-	0,-	75,-
Set of 5 self-adhesive stickers with symbols for: glass, paper, plastic, metal, residual waste	A	28,-	on request	on request
BSK 90, painted	A	366,-	184,-	550,-
Lid, galvanized	A	160,-	18,-	178,-
Castor Set, polyamide, Load capacity 1350 kg / castor set	A	185,-	15,-	200,-
Skip Body Welded Oil and Watertight	A	75,-	0,-	75,-
Set of 5 self-adhesive stickers with symbols for: glass, paper, plastic, metal, residual waste	A	28,-	on request	on request
BSK 90, hot-dip galvanized	A	470,-	263,-	733,-
Lid, galvanized	A	160,-	18,-	178,-

Prices in EUR, valid EXW DE-46354 Südlohn, DE-38820 Halberstadt, unpacked
Freight charges valid CPT Great Britain, islands & the following post code areas excluded: IC, ZE

Price List 0424 en-GB

Forklift Truck Attachments



Stacking Tipper Type BSK	Category	Price	Freight charges	Price including freight charges
Castor Set, polyamide, Load capacity 1350 kg / castor set	A	185,-	15,-	200,-
Skip Body Welded Oil and Watertight	A	75,-	0,-	75,-
Set of 5 self-adhesive stickers with symbols for: glass, paper, plastic, metal, residual waste	A	28,-	on request	on request
BSK 150, painted	A	841,-	263,-	1104,-
Lid, galvanized	A	215,-	21,-	236,-
Castor Set, polyamide, Load capacity 1350 kg / castor set	A	185,-	15,-	200,-
Skip Body Welded Oil and Watertight	A	116,-	0,-	116,-
Set of 5 self-adhesive stickers with symbols for: glass, paper, plastic, metal, residual waste	A	28,-	on request	on request
BSK 150, hot-dip galvanized	A	984,-	263,-	1247,-
Lid, galvanized	A	215,-	21,-	236,-
Castor Set, polyamide, Load capacity 1350 kg / castor set	A	185,-	15,-	200,-
Skip Body Welded Oil and Watertight	A	116,-	0,-	116,-
Set of 5 self-adhesive stickers with symbols for: glass, paper, plastic, metal, residual waste	A	28,-	on request	on request
BSK 200, painted	A	902,-	263,-	1165,-
Lid, galvanized	A	274,-	26,-	300,-
Castor Set, polyamide, Load capacity 1350 kg / castor set	A	185,-	15,-	200,-
Skip Body Welded Oil and Watertight	A	116,-	0,-	116,-
Set of 5 self-adhesive stickers with symbols for: glass, paper, plastic, metal, residual waste	A	28,-	on request	on request
BSK 200, hot-dip galvanized	A	1129,-	263,-	1392,-
Lid, galvanized	A	274,-	26,-	300,-
Castor Set, polyamide, Load capacity 1350 kg / castor set	A	185,-	15,-	200,-
Skip Body Welded Oil and Watertight	A	116,-	0,-	116,-
Set of 5 self-adhesive stickers with symbols for: glass, paper, plastic, metal, residual waste	A	28,-	on request	on request
Lattice Tilting Container Type BSK-G	Category	Price	Freight charges	Price including freight charges
BSK-G 90, painted	A	332,-	184,-	516,-
Lid, galvanized	A	160,-	18,-	178,-
Castor Set, polyamide, Load capacity 1350 kg / castor set	A	185,-	15,-	200,-
BSK-G 90, hot-dip galvanized	A	404,-	184,-	588,-
Lid, galvanized	A	160,-	18,-	178,-
Castor Set, polyamide, Load capacity 1350 kg / castor set	A	185,-	15,-	200,-
Swarf Stacking Tipper Type BSL	Category	Price	Freight charges	Price including freight charges
BSL 30, painted	A	570,-	184,-	754,-
Lid, galvanized	A	66,-	12,-	78,-
Castor Set, polyamide, Load capacity 1350 kg / castor set	A	185,-	15,-	200,-
BSL 30, hot-dip galvanized	A	656,-	184,-	840,-
Lid, galvanized	A	66,-	12,-	78,-
Castor Set, polyamide, Load capacity 1350 kg / castor set	A	185,-	15,-	200,-
BSL 55, painted	A	701,-	263,-	964,-
Lid, galvanized	A	94,-	15,-	109,-
Castor Set, polyamide, Load capacity 1350 kg / castor set	A	185,-	15,-	200,-
BSL 55, hot-dip galvanized	A	823,-	263,-	1086,-
Lid, galvanized	A	94,-	15,-	109,-
Castor Set, polyamide, Load capacity 1350 kg / castor set	A	185,-	15,-	200,-

Prices in EUR, valid EXW DE-46354 Südlohn, DE-38820 Halberstadt, unpacked
 Freight charges valid CPT Great Britain, islands & the following post code areas excluded: IC, ZE

Price List 0424 en-GB

Forklift Truck Attachments



Swarf Stacking Tipper Type BSL	Category	Price	Freight charges	Price including freight charges
BSL 70, painted	A	737,-	263,-	1000,-
Lid, galvanized	A	117,-	15,-	132,-
Castor Set, polyamide, Load capacity 1350 kg / castor set	A	185,-	15,-	200,-
BSL 70, hot-dip galvanized	A	881,-	263,-	1144,-
Lid, galvanized	A	117,-	15,-	132,-
Castor Set, polyamide, Load capacity 1350 kg / castor set	A	185,-	15,-	200,-
BSL 90, painted	A	801,-	263,-	1064,-
Lid, galvanized	A	160,-	18,-	178,-
Castor Set, polyamide, Load capacity 1350 kg / castor set	A	185,-	15,-	200,-
BSL 90, hot-dip galvanized	A	970,-	263,-	1233,-
Lid, galvanized	A	160,-	18,-	178,-
Castor Set, polyamide, Load capacity 1350 kg / castor set	A	185,-	15,-	200,-
BSL 150, painted	A	1185,-	263,-	1448,-
Lid, galvanized	A	215,-	21,-	236,-
Castor Set, polyamide, Load capacity 1350 kg / castor set	A	185,-	15,-	200,-
BSL 150, hot-dip galvanized	A	1439,-	366,-	1805,-
Lid, galvanized	A	215,-	21,-	236,-
Castor Set, polyamide, Load capacity 1350 kg / castor set	A	185,-	15,-	200,-
BSL 200, painted	A	1282,-	366,-	1648,-
Lid, galvanized	A	274,-	26,-	300,-
Castor Set, polyamide, Load capacity 1350 kg / castor set	A	185,-	15,-	200,-
BSL 200, hot-dip galvanized	A	1731,-	366,-	2097,-
Lid, galvanized	A	274,-	26,-	300,-
Castor Set, polyamide, Load capacity 1350 kg / castor set	A	185,-	15,-	200,-
Shovel Type BSM	Category	Price	Freight charges	Price including freight charges
BSM 50, painted	A	1435,-	263,-	1698,-
BSM 75, painted	A	1709,-	366,-	2075,-
BSM 100, painted	A	2143,-	439,-	2582,-
BSM 150, painted	A	2422,-	439,-	2861,-
BSM 200, painted	A	2691,-	596,-	3287,-
BSM 250, painted	A	3316,-	646,-	3962,-
Swarf Stacking Tipper Type BSS	Category	Price	Freight charges	Price including freight charges
BSS 30, painted	A	407,-	184,-	591,-
Lid, galvanized	A	66,-	12,-	78,-
Castor Set, polyamide, Load capacity 1350 kg / castor set	A	185,-	15,-	200,-
BSS 30, hot-dip galvanized	A	473,-	184,-	657,-
Lid, galvanized	A	66,-	12,-	78,-
Castor Set, polyamide, Load capacity 1350 kg / castor set	A	185,-	15,-	200,-
BSS 55, painted	A	505,-	184,-	689,-
Lid, galvanized	A	94,-	15,-	109,-
Castor Set, polyamide, Load capacity 1350 kg / castor set	A	185,-	15,-	200,-
BSS 55, hot-dip galvanized	A	626,-	184,-	810,-
Lid, galvanized	A	94,-	15,-	109,-

Prices in EUR, valid EXW DE-46354 Südlohn, DE-38820 Halberstadt, unpacked
 Freight charges valid CPT Great Britain, islands & the following post code areas excluded: IC, ZE

Price List 0424 en-GB

Forklift Truck Attachments



Swarf Stacking Tipper Type BSS	Category	Price	Freight charges	Price including freight charges
Castor Set, polyamide, Load capacity 1350 kg / castor set	A	185,-	15,-	200,-
BSS 70, painted	A	542,-	184,-	726,-
Lid, galvanized	A	117,-	15,-	132,-
Castor Set, polyamide, Load capacity 1350 kg / castor set	A	185,-	15,-	200,-
BSS 70, hot-dip galvanized	A	684,-	263,-	947,-
Lid, galvanized	A	117,-	15,-	132,-
Castor Set, polyamide, Load capacity 1350 kg / castor set	A	185,-	15,-	200,-
BSS 90, painted	A	576,-	263,-	839,-
Lid, galvanized	A	160,-	18,-	178,-
Castor Set, polyamide, Load capacity 1350 kg / castor set	A	185,-	15,-	200,-
BSS 90, hot-dip galvanized	A	739,-	263,-	1002,-
Lid, galvanized	A	160,-	18,-	178,-
Castor Set, polyamide, Load capacity 1350 kg / castor set	A	185,-	15,-	200,-
BSS 150, painted	A	876,-	263,-	1139,-
Lid, galvanized	A	215,-	21,-	236,-
Castor Set, polyamide, Load capacity 1350 kg / castor set	A	185,-	15,-	200,-
BSS 150, hot-dip galvanized	A	1126,-	263,-	1389,-
Lid, galvanized	A	215,-	21,-	236,-
Castor Set, polyamide, Load capacity 1350 kg / castor set	A	185,-	15,-	200,-
BSS 200, painted	A	989,-	263,-	1252,-
Lid, galvanized	A	274,-	26,-	300,-
Castor Set, polyamide, Load capacity 1350 kg / castor set	A	185,-	15,-	200,-
BSS 200, hot-dip galvanized	A	1324,-	366,-	1690,-
Lid, galvanized	A	274,-	26,-	300,-
Castor Set, polyamide, Load capacity 1350 kg / castor set	A	185,-	15,-	200,-
Traverse For Stacking Tipper Type BST	Category	Price	Freight charges	Price including freight charges
BST 30, painted	A	320,-	184,-	504,-
Traverse Stand Type TS, hot-dip galvanized	A	75,-	9,-	84,-
BST 55, painted	A	342,-	184,-	526,-
Traverse Stand Type TS, hot-dip galvanized	A	75,-	10,-	85,-
BST 70, painted	A	342,-	184,-	526,-
Traverse Stand Type TS, hot-dip galvanized	A	75,-	10,-	85,-
BST 90, painted	A	355,-	184,-	539,-
Traverse Stand Type TS, hot-dip galvanized	A	75,-	10,-	85,-
BST 150, painted	A	532,-	263,-	795,-
Traverse Stand Type TS, hot-dip galvanized	A	75,-	10,-	85,-
BST 200, painted	A	591,-	263,-	854,-
Traverse Stand Type TS, hot-dip galvanized	A	75,-	10,-	85,-
Traverse For Stacking Tipper Type BST-H	Category	Price	Freight charges	Price including freight charges
BST-H 30, painted	A	2055,-	263,-	2318,-
Traverse Stand Type TS, hot-dip galvanized	A	75,-	9,-	84,-
BST-H 55, painted	A	2180,-	263,-	2443,-
Traverse Stand Type TS, hot-dip galvanized	A	75,-	9,-	84,-

Prices in EUR, valid EXW DE-46354 Südlohn, DE-38820 Halberstadt, unpacked
 Freight charges valid CPT Great Britain, islands & the following post code areas excluded: IC, ZE

Price List 0424 en-GB

Forklift Truck Attachments



Traverse For Stacking Tipper Type BST-H	Category	Price	Freight charges	Price including freight charges
BST-H 70, painted	A	2180,-	263,-	2443,-
Traverse Stand Type TS, hot-dip galvanized	A	75,-	9,-	84,-
BST-H 90, painted	A	2293,-	263,-	2556,-
Traverse Stand Type TS, hot-dip galvanized	A	75,-	9,-	84,-
BST-H 150, painted	A	2608,-	366,-	2974,-
Traverse Stand Type TS, hot-dip galvanized	A	75,-	10,-	85,-
BST-H 200, painted	A	2871,-	366,-	3237,-
Traverse Stand Type TS, hot-dip galvanized	A	75,-	10,-	85,-
Traverse For Stacking Tipper Type BST-U	Category	Price	Freight charges	Price including freight charges
BST-U 30, painted	A	923,-	263,-	1186,-
BST-U 55, painted	A	985,-	263,-	1248,-
BST-U 70, painted	A	985,-	263,-	1248,-
BST-U 90, painted	A	1011,-	263,-	1274,-
Filling Hopper Type BTM	Category	Price	Freight charges	Price including freight charges
BTM, painted	A	2377,-	439,-	2816,-
Filling Hopper Type BTS	Category	Price	Freight charges	Price including freight charges
BTS, painted	A	2035,-	439,-	2474,-
Bin Type C	Category	Price	Freight charges	Price including freight charges
C 30, painted	A	407,-	184,-	591,-
C 30, hot-dip galvanized	A	447,-	184,-	631,-
C 80, painted	A	586,-	184,-	770,-
C 80, hot-dip galvanized	A	630,-	184,-	814,-
Swarf Bin Type CS	Category	Price	Freight charges	Price including freight charges
CS 30, painted	A	469,-	184,-	653,-
CS 30, hot-dip galvanized	A	514,-	184,-	698,-
CS 80, painted	A	692,-	184,-	876,-
CS 80, hot-dip galvanized	A	740,-	263,-	1003,-
Shovel Type DGS	Category	Price	Freight charges	Price including freight charges
DGS 500, painted	A	2565,-	366,-	2931,-
DGS 700, painted	A	2594,-	366,-	2960,-
DGS 950, painted	A	2630,-	439,-	3069,-
DGS 1200, painted	A	2825,-	439,-	3264,-
Tilting Container Type DUO	Category	Price	Freight charges	Price including freight charges
DUO, painted	A	1803,-	366,-	2169,-
Lid, galvanized	A	228,-	27,-	255,-
Castor Set, polyamide, Load capacity 1350 kg / castor set	A	185,-	15,-	200,-
Set of 5 self-adhesive stickers with symbols for: glass, paper, plastic, metal, residual waste	A	28,-	on request	on request

Prices in EUR, valid EXW DE-46354 Südlohn, DE-38820 Halberstadt, unpacked
 Freight charges valid CPT Great Britain, islands & the following post code areas excluded: IC, ZE

Price List 0424 en-GB

Forklift Truck Attachments



Tilting Container Type EXPO®	Category	Price	Freight charges	Price including freight charges
EXPO 150, painted	A	587,-	184,-	771,-
Lid, galvanized	A	168,-	18,-	186,-
Castor Set, polyamide, Load capacity 1050 kg / castor set	A	150,-	15,-	165,-
Skip Body Welded Oil and Watertight	A	75,-	0,-	75,-
EXPO 150, hot-dip galvanized	A	692,-	184,-	876,-
Lid, galvanized	A	168,-	18,-	186,-
Castor Set, polyamide, Load capacity 1050 kg / castor set	A	150,-	15,-	165,-
Skip Body Welded Oil and Watertight	A	75,-	0,-	75,-
EXPO 225, painted	A	639,-	184,-	823,-
Lid, galvanized	A	168,-	18,-	186,-
Castor Set, polyamide, Load capacity 1050 kg / castor set	A	150,-	15,-	165,-
Skip Body Welded Oil and Watertight	A	75,-	0,-	75,-
EXPO 225, hot-dip galvanized	A	758,-	184,-	942,-
Lid, galvanized	A	168,-	18,-	186,-
Castor Set, polyamide, Load capacity 1050 kg / castor set	A	150,-	15,-	165,-
Skip Body Welded Oil and Watertight	A	75,-	0,-	75,-
EXPO 275, painted	A	667,-	184,-	851,-
Lid, galvanized	A	168,-	18,-	186,-
Castor Set, polyamide, Load capacity 1050 kg / castor set	A	150,-	15,-	165,-
Skip Body Welded Oil and Watertight	A	75,-	0,-	75,-
EXPO 275, hot-dip galvanized	A	798,-	184,-	982,-
Lid, galvanized	A	168,-	18,-	186,-
Castor Set, polyamide, Load capacity 1050 kg / castor set	A	150,-	15,-	165,-
Skip Body Welded Oil and Watertight	A	75,-	0,-	75,-
EXPO 300, painted	A	601,-	263,-	864,-
Lid, galvanized	A	168,-	18,-	186,-
Castor Set, polyamide, Load capacity 1350 kg / castor set	A	185,-	15,-	200,-
Skip Body Welded Oil and Watertight	A	75,-	0,-	75,-
EXPO 300, hot-dip galvanized	A	771,-	263,-	1034,-
Lid, galvanized	A	168,-	18,-	186,-
Castor Set, polyamide, Load capacity 1350 kg / castor set	A	185,-	15,-	200,-
Skip Body Welded Oil and Watertight	A	75,-	0,-	75,-
EXPO 600, painted	A	708,-	263,-	971,-
Lid, galvanized	A	189,-	22,-	211,-
Castor Set, polyamide, Load capacity 1350 kg / castor set	A	185,-	15,-	200,-
Skip Body Welded Oil and Watertight	A	75,-	0,-	75,-
EXPO 600, hot-dip galvanized	A	849,-	263,-	1112,-
Lid, galvanized	A	189,-	22,-	211,-
Castor Set, polyamide, Load capacity 1350 kg / castor set	A	185,-	15,-	200,-
Skip Body Welded Oil and Watertight	A	75,-	0,-	75,-
EXPO 900, painted	A	790,-	263,-	1053,-
Lid, galvanized	A	215,-	27,-	242,-
Castor Set, polyamide, Load capacity 1350 kg / castor set	A	185,-	15,-	200,-
Skip Body Welded Oil and Watertight	A	75,-	0,-	75,-
EXPO 900, hot-dip galvanized	A	931,-	263,-	1194,-
Lid, galvanized	A	215,-	27,-	242,-

Prices in EUR, valid EXW DE-46354 Südlohn, DE-38820 Halberstadt, unpacked
 Freight charges valid CPT Great Britain, islands & the following post code areas excluded: IC, ZE

Price List 0424 en-GB

Forklift Truck Attachments



Tilting Container Type EXPO®	Category	Price	Freight charges	Price including freight charges
Castor Set, polyamide, Load capacity 1350 kg / castor set	A	185,-	15,-	200,-
Skip Body Welded Oil and Watertight	A	75,-	0,-	75,-
EXPO 1200, painted	A	855,-	366,-	1221,-
Lid, galvanized	A	215,-	26,-	241,-
Castor Set, polyamide, Load capacity 1350 kg / castor set	A	185,-	15,-	200,-
Skip Body Welded Oil and Watertight	A	116,-	0,-	116,-
EXPO 1200, hot-dip galvanized	A	1006,-	366,-	1372,-
Lid, galvanized	A	215,-	26,-	241,-
Castor Set, polyamide, Load capacity 1350 kg / castor set	A	185,-	15,-	200,-
Skip Body Welded Oil and Watertight	A	116,-	0,-	116,-
EXPO 1700, painted	A	1161,-	366,-	1527,-
Lid, galvanized	A	266,-	33,-	299,-
Castor Set, polyamide, Load capacity 1350 kg / castor set	A	185,-	15,-	200,-
Skip Body Welded Oil and Watertight	A	116,-	0,-	116,-
EXPO 1700, hot-dip galvanized	A	1386,-	366,-	1752,-
Lid, galvanized	A	266,-	33,-	299,-
Castor Set, polyamide, Load capacity 1350 kg / castor set	A	185,-	15,-	200,-
Skip Body Welded Oil and Watertight	A	116,-	0,-	116,-
EXPO 2100, painted	A	1280,-	366,-	1646,-
Lid, galvanized	A	347,-	39,-	386,-
Castor Set, polyamide, Load capacity 1350 kg / castor set	A	185,-	15,-	200,-
Skip Body Welded Oil and Watertight	A	116,-	0,-	116,-
EXPO 2100, hot-dip galvanized	A	1551,-	366,-	1917,-
Lid, galvanized	A	347,-	39,-	386,-
Castor Set, polyamide, Load capacity 1350 kg / castor set	A	185,-	15,-	200,-
Skip Body Welded Oil and Watertight	A	116,-	0,-	116,-
Swarf Tilting Container Type EXPO®-E	Category	Price	Freight charges	Price including freight charges
EXPO-E 150, painted	A	704,-	184,-	888,-
Lid, galvanized	A	168,-	18,-	186,-
Castor Set, polyamide, Load capacity 1050 kg / castor set	A	150,-	15,-	165,-
EXPO-E 150, hot-dip galvanized	A	808,-	184,-	992,-
Lid, galvanized	A	168,-	18,-	186,-
Castor Set, polyamide, Load capacity 1050 kg / castor set	A	150,-	15,-	165,-
EXPO-E 225, painted	A	755,-	184,-	939,-
Lid, galvanized	A	168,-	18,-	186,-
Castor Set, polyamide, Load capacity 1050 kg / castor set	A	150,-	15,-	165,-
EXPO-E 225, hot-dip galvanized	A	876,-	184,-	1060,-
Lid, galvanized	A	168,-	18,-	186,-
Castor Set, polyamide, Load capacity 1050 kg / castor set	A	150,-	15,-	165,-
EXPO-E 275, painted	A	784,-	184,-	968,-
Lid, galvanized	A	168,-	18,-	186,-
Castor Set, polyamide, Load capacity 1050 kg / castor set	A	150,-	15,-	165,-
EXPO-E 275, hot-dip galvanized	A	912,-	184,-	1096,-
Lid, galvanized	A	168,-	18,-	186,-
Castor Set, polyamide, Load capacity 1050 kg / castor set	A	150,-	15,-	165,-

Prices in EUR, valid EXW DE-46354 Südlohn, DE-38820 Halberstadt, unpacked
 Freight charges valid CPT Great Britain, islands & the following post code areas excluded: IC, ZE

Price List 0424 en-GB

Forklift Truck Attachments



Swarf Tilting Container Type EXPO®-E	Category	Price	Freight charges	Price including freight charges
EXPO-E 300, painted	A	718,-	263,-	981,-
Lid, galvanized	A	168,-	18,-	186,-
Castor Set, polyamide, Load capacity 1350 kg / castor set	A	185,-	15,-	200,-
EXPO-E 300, hot-dip galvanized	A	887,-	263,-	1150,-
Lid, galvanized	A	168,-	18,-	186,-
Castor Set, polyamide, Load capacity 1350 kg / castor set	A	185,-	15,-	200,-
EXPO-E 600, painted	A	824,-	263,-	1087,-
Lid, galvanized	A	189,-	22,-	211,-
Castor Set, polyamide, Load capacity 1350 kg / castor set	A	185,-	15,-	200,-
EXPO-E 600, hot-dip galvanized	A	965,-	263,-	1228,-
Lid, galvanized	A	189,-	22,-	211,-
Castor Set, polyamide, Load capacity 1350 kg / castor set	A	185,-	15,-	200,-
EXPO-E 900, painted	A	906,-	263,-	1169,-
Lid, galvanized	A	215,-	27,-	242,-
Castor Set, polyamide, Load capacity 1350 kg / castor set	A	185,-	15,-	200,-
EXPO-E 900, hot-dip galvanized	A	1048,-	263,-	1311,-
Lid, galvanized	A	215,-	27,-	242,-
Castor Set, polyamide, Load capacity 1350 kg / castor set	A	185,-	15,-	200,-
EXPO-E 1200, painted	A	1012,-	366,-	1378,-
Lid, galvanized	A	215,-	26,-	241,-
Castor Set, polyamide, Load capacity 1350 kg / castor set	A	185,-	15,-	200,-
EXPO-E 1200, hot-dip galvanized	A	1163,-	366,-	1529,-
Lid, galvanized	A	215,-	26,-	241,-
Castor Set, polyamide, Load capacity 1350 kg / castor set	A	185,-	15,-	200,-
EXPO-E 1700, painted	A	1318,-	366,-	1684,-
Lid, galvanized	A	266,-	33,-	299,-
Castor Set, polyamide, Load capacity 1350 kg / castor set	A	185,-	15,-	200,-
EXPO-E 1700, hot-dip galvanized	A	1543,-	366,-	1909,-
Lid, galvanized	A	266,-	33,-	299,-
Castor Set, polyamide, Load capacity 1350 kg / castor set	A	185,-	15,-	200,-
EXPO-E 2100, painted	A	1437,-	366,-	1803,-
Lid, galvanized	A	347,-	39,-	386,-
Castor Set, polyamide, Load capacity 1350 kg / castor set	A	185,-	15,-	200,-
EXPO-E 2100, hot-dip galvanized	A	1708,-	366,-	2074,-
Lid, galvanized	A	347,-	39,-	386,-
Castor Set, polyamide, Load capacity 1350 kg / castor set	A	185,-	15,-	200,-

Container With Drop Away Base Type FB	Category	Price	Freight charges	Price including freight charges
FB 500, painted	A	781,-	263,-	1044,-
Lid, galvanized	A	189,-	15,-	204,-
Castor Set, polyamide, Load capacity 1350 kg / castor set	A	185,-	15,-	200,-
Guiding Plates, galvanized	A	112,-	12,-	124,-
FB 500, hot-dip galvanized	A	960,-	263,-	1223,-
Lid, galvanized	A	189,-	15,-	204,-
Castor Set, polyamide, Load capacity 1350 kg / castor set	A	185,-	15,-	200,-
Guiding Plates, galvanized	A	112,-	12,-	124,-

Prices in EUR, valid EXW DE-46354 Südlohn, DE-38820 Halberstadt, unpacked
 Freight charges valid CPT Great Britain, islands & the following post code areas excluded: IC, ZE

Price List 0424 en-GB

Forklift Truck Attachments



Container With Drop Away Base Type FB	Category	Price	Freight charges	Price including freight charges
FB 750, painted	A	850,-	263,-	1113,-
Lid, galvanized	A	189,-	15,-	204,-
Castor Set, polyamide, Load capacity 1350 kg / castor set	A	185,-	15,-	200,-
Guiding Plates, galvanized	A	112,-	12,-	124,-
FB 750, hot-dip galvanized	A	1038,-	263,-	1301,-
Lid, galvanized	A	189,-	15,-	204,-
Castor Set, polyamide, Load capacity 1350 kg / castor set	A	185,-	15,-	200,-
Guiding Plates, galvanized	A	112,-	12,-	124,-
FB 1000, painted	A	910,-	263,-	1173,-
Lid, galvanized	A	229,-	18,-	247,-
Castor Set, polyamide, Load capacity 1350 kg / castor set	A	185,-	15,-	200,-
Guiding Plates, galvanized	A	112,-	12,-	124,-
FB 1000, hot-dip galvanized	A	1117,-	263,-	1380,-
Lid, galvanized	A	229,-	18,-	247,-
Castor Set, polyamide, Load capacity 1350 kg / castor set	A	185,-	15,-	200,-
Guiding Plates, galvanized	A	112,-	12,-	124,-
FB 1500, painted	A	1067,-	366,-	1433,-
Lid, galvanized	A	339,-	21,-	360,-
Castor Set, polyamide, Load capacity 1350 kg / castor set	A	185,-	15,-	200,-
Guiding Plates, galvanized	A	112,-	12,-	124,-
FB 1500, hot-dip galvanized	A	1344,-	366,-	1710,-
Lid, galvanized	A	339,-	21,-	360,-
Castor Set, polyamide, Load capacity 1350 kg / castor set	A	185,-	15,-	200,-
Guiding Plates, galvanized	A	112,-	12,-	124,-
FB 2000, painted	A	1151,-	366,-	1517,-
Lid, galvanized	A	339,-	21,-	360,-
Castor Set, polyamide, Load capacity 1350 kg / castor set	A	185,-	15,-	200,-
Guiding Plates, galvanized	A	112,-	12,-	124,-
FB 2000, hot-dip galvanized	A	1460,-	366,-	1826,-
Lid, galvanized	A	339,-	21,-	360,-
Castor Set, polyamide, Load capacity 1350 kg / castor set	A	185,-	15,-	200,-
Guiding Plates, galvanized	A	112,-	12,-	124,-
Drum Tipper Type FD/L-HK	Category	Price	Freight charges	Price including freight charges
FD/L-HK, painted	B	2245,-	263,-	2508,-
FD/L-HK, hot-dip galvanized	B	2671,-	263,-	2934,-
Drum Tipper Type FD/L-K	Category	Price	Freight charges	Price including freight charges
FD/L-K, painted	B	2429,-	263,-	2692,-
FD/L-K, hot-dip galvanized	B	2864,-	263,-	3127,-
Drum Tipper Type FD-H	Category	Price	Freight charges	Price including freight charges
FD-H, painted	B	2505,-	184,-	2689,-
FD-H, hot-dip galvanized	B	2732,-	184,-	2916,-

Prices in EUR, valid EXW DE-46354 Südlohn, DE-38820 Halberstadt, unpacked
 Freight charges valid CPT Great Britain, islands & the following post code areas excluded: IC, ZE

Price List 0424 en-GB

Forklift Truck Attachments



Drum Tipper Type FD-HK	Category	Price	Freight charges	Price including freight charges
FD-HK, painted	B	1929,-	184,-	2113,-
FD-HK, hot-dip galvanized	B	2161,-	184,-	2345,-
Drum Tipper Type FD-K	Category	Price	Freight charges	Price including freight charges
FD-K, painted	B	2114,-	184,-	2298,-
FD-K, hot-dip galvanized	B	2354,-	184,-	2538,-
Drum Tipper Type FD-SK	Category	Price	Freight charges	Price including freight charges
FD-SK, painted	B	1929,-	184,-	2113,-
FD-SK, hot-dip galvanized	B	2161,-	184,-	2345,-
Drum Jack Type FH	Category	Price	Freight charges	Price including freight charges
FH-I 120, painted	B	1589,-	184,-	1773,-
FH-I 120, hot-dip galvanized	B	1761,-	184,-	1945,-
FH-I 220, painted	B	1589,-	184,-	1773,-
FH-I 220, hot-dip galvanized	B	1789,-	184,-	1973,-
FH-II 120, painted	B	2320,-	184,-	2504,-
FH-II 120, hot-dip galvanized	B	2582,-	184,-	2766,-
FH-II 220, painted	B	2320,-	184,-	2504,-
FH-II 220, hot-dip galvanized	B	2636,-	184,-	2820,-
Drum Gripper Type FK	Category	Price	Freight charges	Price including freight charges
FK-I, painted	B	1208,-	184,-	1392,-
FK-I, hot-dip galvanized	B	1472,-	184,-	1656,-
FK-II, painted	B	1437,-	263,-	1700,-
FK-II, hot-dip galvanized	B	1818,-	263,-	2081,-
Drum Clamp Type FKL	Category	Price	Freight charges	Price including freight charges
FKL, painted	B	463,-	74,-	537,-
Drum Tipper Type FLEX-HK	Category	Price	Freight charges	Price including freight charges
FLEX-HK, painted	B	2090,-	184,-	2274,-
Shelf Drum Pallet RP, galvanized	B	140,-	74,-	214,-
FLEX-HK, hot-dip galvanized	B	2258,-	184,-	2442,-
Shelf Drum Pallet RP, galvanized	B	140,-	74,-	214,-
Drum Tipper Type FLEX-K	Category	Price	Freight charges	Price including freight charges
FLEX-K, painted	B	2283,-	184,-	2467,-
Shelf Drum Pallet RP, galvanized	B	140,-	74,-	214,-
FLEX-K, hot-dip galvanized	B	2447,-	184,-	2631,-
Shelf Drum Pallet RP, galvanized	B	140,-	74,-	214,-
Drum Traverse Type FT/M	Category	Price	Freight charges	Price including freight charges
FT/M, galvanized	B	305,-	74,-	379,-

Prices in EUR, valid EXW DE-46354 Südlohn, DE-38820 Halberstadt, unpacked
 Freight charges valid CPT Great Britain, islands & the following post code areas excluded: IC, ZE

Price List 0424 en-GB

Forklift Truck Attachments



Drum Traverse Type FT/MK	Category	Price	Freight charges	Price including freight charges
FT/MK, galvanized	B	349,-	74,-	423,-
Drum Turner Type FW	Category	Price	Freight charges	Price including freight charges
FW-I, painted	B	1342,-	263,-	1605,-
FW-I, hot-dip galvanized	B	1742,-	263,-	2005,-
FW-II, painted	B	1879,-	263,-	2142,-
FW-II, hot-dip galvanized	B	2447,-	263,-	2710,-
Drum Turning Claw Type FWZ	Category	Price	Freight charges	Price including freight charges
FWZ-60, painted	B	1309,-	184,-	1493,-
FWZ-60, hot-dip galvanized	B	1289,-	184,-	1473,-
FWZ-200, painted	B	1349,-	184,-	1533,-
FWZ-200, hot-dip galvanized	B	1329,-	184,-	1513,-
Fork Extensions Type GG	Category	Price	Freight charges	Price including freight charges
GG 80/40 (1600 mm long), painted	A	522,-	184,-	706,-
GG 80/40 (1800 mm long), painted	A	550,-	184,-	734,-
GG 80/40 (2000 mm long), painted	A	580,-	184,-	764,-
GG 100/40 (1600 mm long), painted	A	522,-	184,-	706,-
GG 100/40 (1800 mm long), painted	A	550,-	184,-	734,-
GG 100/40 (2000 mm long), painted	A	580,-	184,-	764,-
GG 100/45 (1600 mm long), painted	A	522,-	184,-	706,-
GG 100/45 (1800 mm long), painted	A	550,-	184,-	734,-
GG 100/45 (2000 mm long), painted	A	580,-	184,-	764,-
GG 100/50 (1600 mm long), painted	A	522,-	184,-	706,-
GG 100/50 (1800 mm long), painted	A	550,-	184,-	734,-
GG 100/50 (2000 mm long), painted	A	580,-	263,-	843,-
GG 120/40 (1600 mm long), painted	A	550,-	184,-	734,-
GG 120/40 (1800 mm long), painted	A	580,-	263,-	843,-
GG 120/40 (2000 mm long), painted	A	623,-	263,-	886,-
GG 120/50 (1600 mm long), painted	A	550,-	184,-	734,-
GG 120/50 (1800 mm long), painted	A	580,-	263,-	843,-
GG 120/50 (2000 mm long), painted	A	623,-	263,-	886,-
GG 125/45 (1600 mm long), painted	A	550,-	184,-	734,-
GG 125/45 (1800 mm long), painted	A	580,-	263,-	843,-
GG 125/45 (2000 mm long), painted	A	623,-	263,-	886,-
GG 125/50 (1600 mm long), painted	A	550,-	184,-	734,-
GG 125/50 (1800 mm long), painted	A	580,-	263,-	843,-
GG 125/50 (2000 mm long), painted	A	623,-	263,-	886,-
GG 150/50 (1600 mm long), painted	A	612,-	263,-	875,-
GG 150/50 (1800 mm long), painted	A	657,-	263,-	920,-
GG 150/50 (2000 mm long), painted	A	688,-	263,-	951,-
GG 150/70 (1600 mm long), painted	A	612,-	263,-	875,-
GG 150/70 (1800 mm long), painted	A	657,-	263,-	920,-
GG 150/70 (2000 mm long), painted	A	688,-	263,-	951,-

Prices in EUR, valid EXW DE-46354 Südlohn, DE-38820 Halberstadt, unpacked
 Freight charges valid CPT Great Britain, islands & the following post code areas excluded: IC, ZE

Price List 0424 en-GB

Forklift Truck Attachments



Fork Extensions Type GO	Category	Price	Freight charges	Price including freight charges
GO 80/40 (1600 mm long), painted	A	376,-	184,-	560,-
GO 80/40 (1800 mm long), painted	A	382,-	184,-	566,-
GO 80/40 (2000 mm long), painted	A	397,-	184,-	581,-
GO 100/40 (1600 mm long), painted	A	376,-	184,-	560,-
GO 100/40 (1800 mm long), painted	A	382,-	184,-	566,-
GO 100/40 (2000 mm long), painted	A	397,-	184,-	581,-
GO 100/45 (1600 mm long), painted	A	376,-	184,-	560,-
GO 100/45 (1800 mm long), painted	A	382,-	184,-	566,-
GO 100/45 (2000 mm long), painted	A	397,-	184,-	581,-
GO 100/50 (1600 mm long), painted	A	376,-	184,-	560,-
GO 100/50 (1800 mm long), painted	A	382,-	184,-	566,-
GO 100/50 (2000 mm long), painted	A	397,-	184,-	581,-
GO 120/40 (1600 mm long), painted	A	382,-	184,-	566,-
GO 120/40 (1800 mm long), painted	A	403,-	184,-	587,-
GO 120/40 (2000 mm long), painted	A	420,-	184,-	604,-
GO 120/50 (1600 mm long), painted	A	382,-	184,-	566,-
GO 120/50 (1800 mm long), painted	A	403,-	184,-	587,-
GO 120/50 (2000 mm long), painted	A	420,-	184,-	604,-
GO 125/45 (1600 mm long), painted	A	382,-	184,-	566,-
GO 125/45 (1800 mm long), painted	A	403,-	184,-	587,-
GO 125/45 (2000 mm long), painted	A	420,-	184,-	604,-
GO 125/50 (1600 mm long), painted	A	382,-	184,-	566,-
GO 125/50 (1800 mm long), painted	A	403,-	184,-	587,-
GO 125/50 (2000 mm long), painted	A	420,-	184,-	604,-
GO 150/50 (1600 mm long), painted	A	458,-	184,-	642,-
GO 150/50 (1800 mm long), painted	A	498,-	184,-	682,-
GO 150/50 (2000 mm long), painted	A	536,-	184,-	720,-
GO 150/70 (1600 mm long), painted	A	458,-	184,-	642,-
GO 150/70 (1800 mm long), painted	A	498,-	184,-	682,-
GO 150/70 (2000 mm long), painted	A	536,-	184,-	720,-

Tilting Container Type GU	Category	Price	Freight charges	Price including freight charges
GU 300, painted	A	632,-	263,-	895,-
Lid, galvanized	A	94,-	18,-	112,-
Castor Set, polyamide, Load capacity 1350 kg / castor set	A	185,-	15,-	200,-
Skip Body Welded Oil and Watertight	A	75,-	0,-	75,-
Crane lifting eyes for use with a crane	A	102,-	8,-	110,-
Support legs, 100 mm ground leeway	A	67,-	8,-	75,-
GU 300, hot-dip galvanized	A	836,-	263,-	1099,-
Lid, galvanized	A	94,-	18,-	112,-
Castor Set, polyamide, Load capacity 1350 kg / castor set	A	185,-	15,-	200,-
Skip Body Welded Oil and Watertight	A	75,-	0,-	75,-
Crane lifting eyes for use with a crane	A	102,-	8,-	110,-
Support legs, 100 mm ground leeway	A	67,-	8,-	75,-
GU 500, painted	A	860,-	263,-	1123,-
Lid, galvanized	A	94,-	18,-	112,-

Prices in EUR, valid EXW DE-46354 Südlohn, DE-38820 Halberstadt, unpacked
 Freight charges valid CPT Great Britain, islands & the following post code areas excluded: IC, ZE

Price List 0424 en-GB

Forklift Truck Attachments



Tilting Container Type GU	Category	Price	Freight charges	Price including freight charges
Castor Set, polyamide, Load capacity 1350 kg / castor set	A	185,-	15,-	200,-
Skip Body Welded Oil and Watertight	A	75,-	0,-	75,-
Adjustable dumping brake	A	448,-	10,-	458,-
Crane lifting eyes for use with a crane	A	102,-	8,-	110,-
Support legs, 100 mm ground leeway	A	67,-	8,-	75,-
GU 500, hot-dip galvanized	A	1120,-	263,-	1383,-
Lid, galvanized	A	94,-	18,-	112,-
Castor Set, polyamide, Load capacity 1350 kg / castor set	A	185,-	15,-	200,-
Skip Body Welded Oil and Watertight	A	75,-	0,-	75,-
Adjustable dumping brake	A	448,-	10,-	458,-
Crane lifting eyes for use with a crane	A	102,-	8,-	110,-
Support legs, 100 mm ground leeway	A	67,-	8,-	75,-
GU 750, painted	A	1016,-	263,-	1279,-
Lid, galvanized	A	134,-	26,-	160,-
Castor Set, polyamide, Load capacity 1350 kg / castor set	A	185,-	15,-	200,-
Skip Body Welded Oil and Watertight	A	75,-	0,-	75,-
Adjustable dumping brake	A	448,-	10,-	458,-
Crane lifting eyes for use with a crane	A	102,-	8,-	110,-
Support legs, 100 mm ground leeway	A	67,-	8,-	75,-
GU 750, hot-dip galvanized	A	1324,-	263,-	1587,-
Lid, galvanized	A	134,-	26,-	160,-
Castor Set, polyamide, Load capacity 1350 kg / castor set	A	185,-	15,-	200,-
Skip Body Welded Oil and Watertight	A	75,-	0,-	75,-
Adjustable dumping brake	A	448,-	10,-	458,-
Crane lifting eyes for use with a crane	A	102,-	8,-	110,-
Support legs, 100 mm ground leeway	A	67,-	8,-	75,-
GU 1000, painted	A	1123,-	263,-	1386,-
Lid, galvanized	A	185,-	27,-	212,-
Castor Set, polyamide, Load capacity 1350 kg / castor set	A	185,-	15,-	200,-
Skip Body Welded Oil and Watertight	A	116,-	0,-	116,-
Adjustable dumping brake	A	448,-	10,-	458,-
Crane lifting eyes for use with a crane	A	102,-	8,-	110,-
Support legs, 100 mm ground leeway	A	67,-	8,-	75,-
GU 1000, hot-dip galvanized	A	1591,-	366,-	1957,-
Lid, galvanized	A	185,-	27,-	212,-
Castor Set, polyamide, Load capacity 1350 kg / castor set	A	185,-	15,-	200,-
Skip Body Welded Oil and Watertight	A	116,-	0,-	116,-
Adjustable dumping brake	A	448,-	10,-	458,-
Crane lifting eyes for use with a crane	A	102,-	8,-	110,-
Support legs, 100 mm ground leeway	A	67,-	8,-	75,-
GU 1500, painted	A	1311,-	366,-	1677,-
Lid, galvanized	A	185,-	27,-	212,-
Castor Set, polyamide, Load capacity 1350 kg / castor set	A	185,-	15,-	200,-
Skip Body Welded Oil and Watertight	A	116,-	0,-	116,-
Adjustable dumping brake	A	448,-	10,-	458,-
Crane lifting eyes for use with a crane	A	102,-	8,-	110,-

Prices in EUR, valid EXW DE-46354 Südlohn, DE-38820 Halberstadt, unpacked
 Freight charges valid CPT Great Britain, islands & the following post code areas excluded: IC, ZE

Price List 0424 en-GB

Forklift Truck Attachments



Tilting Container Type GU	Category	Price	Freight charges	Price including freight charges
Support legs, 100 mm ground leeway	A	67,-	8,-	75,-
GU 1500, hot-dip galvanized	A	1709,-	366,-	2075,-
Lid, galvanized	A	185,-	27,-	212,-
Castor Set, polyamide, Load capacity 1350 kg / castor set	A	185,-	15,-	200,-
Skip Body Welded Oil and Watertight	A	116,-	0,-	116,-
Adjustable dumping brake	A	448,-	10,-	458,-
Crane lifting eyes for use with a crane	A	102,-	8,-	110,-
Support legs, 100 mm ground leeway	A	67,-	8,-	75,-
GU 2000, painted	A	1618,-	366,-	1984,-
Lid, galvanized	A	218,-	32,-	250,-
Castor Set, polyamide, Load capacity 1350 kg / castor set	A	185,-	15,-	200,-
Skip Body Welded Oil and Watertight	A	116,-	0,-	116,-
Adjustable dumping brake	A	448,-	10,-	458,-
Crane lifting eyes for use with a crane	A	102,-	8,-	110,-
Support legs, 100 mm ground leeway	A	67,-	8,-	75,-
GU 2000, hot-dip galvanized	A	2125,-	366,-	2491,-
Lid, galvanized	A	218,-	32,-	250,-
Castor Set, polyamide, Load capacity 1350 kg / castor set	A	185,-	15,-	200,-
Skip Body Welded Oil and Watertight	A	116,-	0,-	116,-
Adjustable dumping brake	A	448,-	10,-	458,-
Crane lifting eyes for use with a crane	A	102,-	8,-	110,-
Support legs, 100 mm ground leeway	A	67,-	8,-	75,-
Swarf Tilting Container Type GU-E	Category	Price	Freight charges	Price including freight charges
GU-E 300, painted	A	748,-	263,-	1011,-
Lid, galvanized	A	94,-	18,-	112,-
Castor Set, polyamide, Load capacity 1350 kg / castor set	A	185,-	15,-	200,-
Crane lifting eyes for use with a crane	A	102,-	8,-	110,-
Support legs, 100 mm ground leeway	A	67,-	8,-	75,-
GU-E 300, hot-dip galvanized	A	952,-	263,-	1215,-
Lid, galvanized	A	94,-	18,-	112,-
Castor Set, polyamide, Load capacity 1350 kg / castor set	A	185,-	15,-	200,-
Crane lifting eyes for use with a crane	A	102,-	8,-	110,-
Support legs, 100 mm ground leeway	A	67,-	8,-	75,-
GU-E 500, painted	A	977,-	263,-	1240,-
Lid, galvanized	A	94,-	18,-	112,-
Castor Set, polyamide, Load capacity 1350 kg / castor set	A	185,-	15,-	200,-
Adjustable dumping brake	A	448,-	10,-	458,-
Crane lifting eyes for use with a crane	A	102,-	8,-	110,-
Support legs, 100 mm ground leeway	A	67,-	8,-	75,-
GU-E 500, hot-dip galvanized	A	1236,-	263,-	1499,-
Lid, galvanized	A	94,-	18,-	112,-
Castor Set, polyamide, Load capacity 1350 kg / castor set	A	185,-	15,-	200,-
Adjustable dumping brake	A	448,-	10,-	458,-
Crane lifting eyes for use with a crane	A	102,-	8,-	110,-
Support legs, 100 mm ground leeway	A	67,-	8,-	75,-

Prices in EUR, valid EXW DE-46354 Südlohn, DE-38820 Halberstadt, unpacked
 Freight charges valid CPT Great Britain, islands & the following post code areas excluded: IC, ZE

Price List 0424 en-GB

Forklift Truck Attachments



Swarf Tilting Container Type GU-E	Category	Price	Freight charges	Price including freight charges
GU-E 750, painted	A	1132,-	263,-	1395,-
Lid, galvanized	A	134,-	26,-	160,-
Castor Set, polyamide, Load capacity 1350 kg / castor set	A	185,-	15,-	200,-
Adjustable dumping brake	A	448,-	10,-	458,-
Crane lifting eyes for use with a crane	A	102,-	8,-	110,-
Support legs, 100 mm ground leeway	A	67,-	8,-	75,-
GU-E 750, hot-dip galvanized	A	1440,-	263,-	1703,-
Lid, galvanized	A	134,-	26,-	160,-
Castor Set, polyamide, Load capacity 1350 kg / castor set	A	185,-	15,-	200,-
Adjustable dumping brake	A	448,-	10,-	458,-
Crane lifting eyes for use with a crane	A	102,-	8,-	110,-
Support legs, 100 mm ground leeway	A	67,-	8,-	75,-
GU-E 1000, painted	A	1280,-	263,-	1543,-
Lid, galvanized	A	185,-	27,-	212,-
Castor Set, polyamide, Load capacity 1350 kg / castor set	A	185,-	15,-	200,-
Adjustable dumping brake	A	448,-	10,-	458,-
Crane lifting eyes for use with a crane	A	102,-	8,-	110,-
Support legs, 100 mm ground leeway	A	67,-	8,-	75,-
GU-E 1000, hot-dip galvanized	A	1748,-	366,-	2114,-
Lid, galvanized	A	185,-	27,-	212,-
Castor Set, polyamide, Load capacity 1350 kg / castor set	A	185,-	15,-	200,-
Adjustable dumping brake	A	448,-	10,-	458,-
Crane lifting eyes for use with a crane	A	102,-	8,-	110,-
Support legs, 100 mm ground leeway	A	67,-	8,-	75,-
GU-E 1500, painted	A	1468,-	366,-	1834,-
Lid, galvanized	A	185,-	27,-	212,-
Castor Set, polyamide, Load capacity 1350 kg / castor set	A	185,-	15,-	200,-
Adjustable dumping brake	A	448,-	10,-	458,-
Crane lifting eyes for use with a crane	A	102,-	8,-	110,-
Support legs, 100 mm ground leeway	A	67,-	8,-	75,-
GU-E 1500, hot-dip galvanized	A	1866,-	366,-	2232,-
Lid, galvanized	A	185,-	27,-	212,-
Castor Set, polyamide, Load capacity 1350 kg / castor set	A	185,-	15,-	200,-
Adjustable dumping brake	A	448,-	10,-	458,-
Crane lifting eyes for use with a crane	A	102,-	8,-	110,-
Support legs, 100 mm ground leeway	A	67,-	8,-	75,-
GU-E 2000, painted	A	1775,-	366,-	2141,-
Lid, galvanized	A	218,-	32,-	250,-
Castor Set, polyamide, Load capacity 1350 kg / castor set	A	185,-	15,-	200,-
Adjustable dumping brake	A	448,-	10,-	458,-
Crane lifting eyes for use with a crane	A	102,-	8,-	110,-
Support legs, 100 mm ground leeway	A	67,-	8,-	75,-
GU-E 2000, hot-dip galvanized	A	2282,-	366,-	2648,-
Lid, galvanized	A	218,-	32,-	250,-
Castor Set, polyamide, Load capacity 1350 kg / castor set	A	185,-	15,-	200,-
Adjustable dumping brake	A	448,-	10,-	458,-

Prices in EUR, valid EXW DE-46354 Südlohn, DE-38820 Halberstadt, unpacked
 Freight charges valid CPT Great Britain, islands & the following post code areas excluded: IC, ZE

Price List 0424 en-GB

Forklift Truck Attachments



Swarf Tilting Container Type GU-E	Category	Price	Freight charges	Price including freight charges
Crane lifting eyes for use with a crane	A	102,-	8,-	110,-
Support legs, 100 mm ground leeway	A	67,-	8,-	75,-

Tilting Container Type GU-RZ	Category	Price	Freight charges	Price including freight charges
GU-RZ 30, painted	A	675,-	263,-	938,-
Lid, galvanized	A	91,-	18,-	109,-
GU-RZ 30, hot-dip galvanized	A	752,-	263,-	1015,-
Lid, galvanized	A	91,-	18,-	109,-
GU-RZ 55, painted	A	899,-	263,-	1162,-
Lid, galvanized	A	91,-	18,-	109,-
GU-RZ 55, hot-dip galvanized	A	991,-	263,-	1254,-
Lid, galvanized	A	91,-	18,-	109,-

Fork Protection Type GZS	Category	Price	Freight charges	Price including freight charges
GZS, painted	F	172,-	74,-	246,-

Container With Drop Away Base Type HKB	Category	Price	Freight charges	Price including freight charges
HKB 60, painted	A	1041,-	263,-	1304,-
HKB 60, hot-dip galvanized	A	1220,-	263,-	1483,-
HKB 70, painted	A	1101,-	263,-	1364,-
HKB 70, hot-dip galvanized	A	1295,-	263,-	1558,-
HKB 90, painted	A	1369,-	263,-	1632,-
HKB 90, hot-dip galvanized	A	1636,-	366,-	2002,-

Shovel Type HVR	Category	Price	Freight charges	Price including freight charges
HVR 50, painted	A	3278,-	366,-	3644,-
HVR 75, painted	A	3841,-	439,-	4280,-
HVR 80 L, painted	A	3956,-	439,-	4395,-
HVR 100, painted	A	4862,-	596,-	5458,-
HVR 150, painted	A	6214,-	596,-	6810,-

Kippomat Type KG-A	Category	Price	Freight charges	Price including freight charges
KG-A, hot-dip galvanized	A	3109,-	366,-	3475,-

Kippomat Type KG-B	Category	Price	Freight charges	Price including freight charges
KG-B, hot-dip galvanized	A	3030,-	366,-	3396,-

Kippomat Type KG-C	Category	Price	Freight charges	Price including freight charges
KG-C, hot-dip galvanized	A	2010,-	263,-	2273,-

Tipping Skip Type KK	Category	Price	Freight charges	Price including freight charges
KK 250, painted	E	467,-	184,-	651,-
Lid, galvanized	E	131,-	15,-	146,-
Castor Set, polyamide, Load capacity 1050 kg / castor set	A	131,-	15,-	146,-

Prices in EUR, valid EXW DE-46354 Südlohn, DE-38820 Halberstadt, unpacked
 Freight charges valid CPT Great Britain, islands & the following post code areas excluded: IC, ZE

Price List 0424 en-GB

Forklift Truck Attachments



Tipping Skip Type KK	Category	Price	Freight charges	Price including freight charges
Castor Set, solid rubber, Load capacity 615 kg / castor set	E	99,-	15,-	114,-
KK 250, hot-dip galvanized	E	515,-	184,-	699,-
Lid, galvanized	E	131,-	15,-	146,-
Castor Set, polyamide, Load capacity 1050 kg / castor set	A	131,-	15,-	146,-
Castor Set, solid rubber, Load capacity 615 kg / castor set	E	99,-	15,-	114,-
KK 400, painted	E	532,-	184,-	716,-
Lid, galvanized	E	150,-	16,-	166,-
Castor Set, polyamide, Load capacity 1050 kg / castor set	A	131,-	15,-	146,-
Castor Set, solid rubber, Load capacity 615 kg / castor set	E	99,-	15,-	114,-
KK 400, hot-dip galvanized	E	579,-	184,-	763,-
Lid, galvanized	E	150,-	16,-	166,-
Castor Set, polyamide, Load capacity 1050 kg / castor set	A	131,-	15,-	146,-
Castor Set, solid rubber, Load capacity 615 kg / castor set	E	99,-	15,-	114,-
KK 600, painted	E	738,-	263,-	1001,-
Lid, galvanized	E	167,-	20,-	187,-
Castor Set, polyamide, Load capacity 1050 kg / castor set	A	131,-	15,-	146,-
Castor Set, solid rubber, Load capacity 615 kg / castor set	E	99,-	15,-	114,-
KK 600, hot-dip galvanized	E	835,-	263,-	1098,-
Castor Set, solid rubber, Load capacity 615 kg / castor set	E	99,-	15,-	114,-
Lid, galvanized	E	167,-	20,-	187,-
Castor Set, polyamide, Load capacity 1050 kg / castor set	A	131,-	15,-	146,-
KK 800, painted	E	795,-	263,-	1058,-
Lid, galvanized	E	174,-	21,-	195,-
Castor Set, polyamide, Load capacity 1050 kg / castor set	A	131,-	15,-	146,-
Castor Set, solid rubber, Load capacity 615 kg / castor set	E	99,-	15,-	114,-
KK 800, hot-dip galvanized	E	898,-	263,-	1161,-
Lid, galvanized	E	174,-	21,-	195,-
Castor Set, polyamide, Load capacity 1050 kg / castor set	A	131,-	15,-	146,-
Castor Set, solid rubber, Load capacity 615 kg / castor set	E	99,-	15,-	114,-
KK 1000, painted	E	851,-	263,-	1114,-
Lid, galvanized	E	186,-	22,-	208,-
Castor Set, polyamide, Load capacity 1050 kg / castor set	A	131,-	15,-	146,-
Castor Set, solid rubber, Load capacity 615 kg / castor set	E	99,-	15,-	114,-
KK 1000, hot-dip galvanized	E	979,-	263,-	1242,-
Lid, galvanized	E	186,-	22,-	208,-
Castor Set, polyamide, Load capacity 1050 kg / castor set	A	131,-	15,-	146,-
Castor Set, solid rubber, Load capacity 615 kg / castor set	E	99,-	15,-	114,-
Kippomat Type KM	Category	Price	Freight charges	Price including freight charges
KM, hot-dip galvanized	A	3109,-	263,-	3372,-
Tipping Skip Type KN	Category	Price	Freight charges	Price including freight charges
KN 250, painted	E	467,-	184,-	651,-
Lid, galvanized	E	131,-	15,-	146,-
Castor Set, polyamide, Load capacity 1050 kg / castor set	A	131,-	15,-	146,-

Prices in EUR, valid EXW DE-46354 Südlohn, DE-38820 Halberstadt, unpacked
 Freight charges valid CPT Great Britain, islands & the following post code areas excluded: IC, ZE

Price List 0424 en-GB

Forklift Truck Attachments



Tipping Skip Type KN	Category	Price	Freight charges	Price including freight charges
Castor Set, solid rubber, Load capacity 615 kg / castor set	E	99,-	15,-	114,-
KN 250, hot-dip galvanized	E	515,-	184,-	699,-
Lid, galvanized	E	131,-	15,-	146,-
Castor Set, polyamide, Load capacity 1050 kg / castor set	A	131,-	15,-	146,-
Castor Set, solid rubber, Load capacity 615 kg / castor set	E	99,-	15,-	114,-
KN 400, painted	E	532,-	184,-	716,-
Lid, galvanized	E	150,-	16,-	166,-
Castor Set, polyamide, Load capacity 1050 kg / castor set	A	131,-	15,-	146,-
Castor Set, solid rubber, Load capacity 615 kg / castor set	E	99,-	15,-	114,-
KN 400, hot-dip galvanized	E	579,-	184,-	763,-
Lid, galvanized	E	150,-	16,-	166,-
Castor Set, polyamide, Load capacity 1050 kg / castor set	A	131,-	15,-	146,-
Castor Set, solid rubber, Load capacity 615 kg / castor set	E	99,-	15,-	114,-
Tipping Skip Type KS	Category	Price	Freight charges	Price including freight charges
KS 400, painted	E	869,-	263,-	1132,-
KS 550, painted	E	931,-	263,-	1194,-
KS 700, painted	E	989,-	263,-	1252,-
Extensible Crane Arm Type KT	Category	Price	Freight charges	Price including freight charges
KT 2,5, painted	A	1399,-	263,-	1662,-
KT 2,5, hot-dip galvanized	A	1703,-	366,-	2069,-
KT 5,0, painted	A	1737,-	366,-	2103,-
KT 5,0, hot-dip galvanized	A	2166,-	366,-	2532,-
Extensible Crane Arm Type KTH	Category	Price	Freight charges	Price including freight charges
KTH 2,5, painted	A	1688,-	366,-	2054,-
KTH 2,5, hot-dip galvanized	A	1998,-	366,-	2364,-
KTH 5,0, painted	A	1943,-	366,-	2309,-
KTH 5,0, hot-dip galvanized	A	2292,-	366,-	2658,-
Extensible Crane Arm Type KTH-K	Category	Price	Freight charges	Price including freight charges
KTH-K 2,5, painted	A	1551,-	263,-	1814,-
KTH-K 2,5, hot-dip galvanized	A	1877,-	263,-	2140,-
KTH-K 5,0, painted	A	1789,-	263,-	2052,-
KTH-K 5,0, hot-dip galvanized	A	2156,-	366,-	2522,-
Extensible Crane Arm Type KT-K	Category	Price	Freight charges	Price including freight charges
KT-K 2,5, painted	A	1247,-	263,-	1510,-
KT-K 2,5, hot-dip galvanized	A	1567,-	263,-	1830,-
KT-K 5,0, painted	A	1570,-	263,-	1833,-
KT-K 5,0, hot-dip galvanized	A	2021,-	263,-	2284,-
Barrow Tipper Type KW-ET	Category	Price	Freight charges	Price including freight charges
KW-ET 250, painted	E	568,-	184,-	752,-

Prices in EUR, valid EXW DE-46354 Südlohn, DE-38820 Halberstadt, unpacked
 Freight charges valid CPT Great Britain, islands & the following post code areas excluded: IC, ZE

Price List 0424 en-GB

Forklift Truck Attachments



Barrow Tipper Type KW-ET	Category	Price	Freight charges	Price including freight charges
Lid, galvanized	E	131,-	15,-	146,-
KW-ET 250, hot-dip galvanized	E	869,-	184,-	1053,-
Lid, galvanized	E	131,-	15,-	146,-
KW-ET 400, painted	E	626,-	184,-	810,-
Lid, galvanized	E	150,-	16,-	166,-
KW-ET 400, hot-dip galvanized	E	964,-	184,-	1148,-
Lid, galvanized	E	150,-	16,-	166,-
KW-ET 600, painted	E	780,-	263,-	1043,-
Lid, galvanized	E	167,-	20,-	187,-
KW-ET 600, hot-dip galvanized	E	1126,-	263,-	1389,-
Lid, galvanized	E	167,-	20,-	187,-
KW-ET 1000, painted	E	963,-	263,-	1226,-
Lid, galvanized	E	186,-	22,-	208,-
KW-ET 1000, hot-dip galvanized	E	1537,-	263,-	1800,-
Lid, galvanized	E	186,-	22,-	208,-

Loading Arm Type LA	Category	Price	Freight charges	Price including freight charges
LA 1600-1,0, painted	A	523,-	184,-	707,-
LA 1600-1,0, hot-dip galvanized	A	561,-	184,-	745,-
LA 1600-2,5, painted	A	759,-	184,-	943,-
LA 1600-2,5, hot-dip galvanized	A	895,-	184,-	1079,-
LA 1600-5,0, painted	A	1094,-	263,-	1357,-
LA 1600-5,0, hot-dip galvanized	A	1280,-	263,-	1543,-
LA 2400-1,0, painted	A	549,-	184,-	733,-
LA 2400-1,0, hot-dip galvanized	A	610,-	184,-	794,-
LA 2400-2,5, painted	A	847,-	263,-	1110,-
LA 2400-2,5, hot-dip galvanized	A	982,-	263,-	1245,-
LA 2400-5,0, painted	A	1207,-	263,-	1470,-
LA 2400-5,0, hot-dip galvanized	A	1429,-	263,-	1692,-
LA 25-1,0, painted	A	610,-	184,-	794,-
LA 25-1,0, hot-dip galvanized	A	659,-	184,-	843,-

Loading Arm Type LAT	Category	Price	Freight charges	Price including freight charges
LAT 25-1,0, painted	A	740,-	184,-	924,-
LAT 25-1,0, hot-dip galvanized	A	809,-	184,-	993,-

Scissor Gripper Type LG	Category	Price	Freight charges	Price including freight charges
LG 60, painted	B	236,-	74,-	310,-
LG 60, galvanized	B	215,-	74,-	289,-
LG 200, painted	B	236,-	74,-	310,-
LG 200, galvanized	B	215,-	74,-	289,-

Container for Long Material Type LGK	Category	Price	Freight charges	Price including freight charges
LGK, painted	A	1329,-	263,-	1592,-
Castor Set, polyamide, Load capacity 1350 kg / castor set	A	185,-	15,-	200,-

Prices in EUR, valid EXW DE-46354 Südlohn, DE-38820 Halberstadt, unpacked
 Freight charges valid CPT Great Britain, islands & the following post code areas excluded: IC, ZE

Price List 0424 en-GB

Forklift Truck Attachments



Container for Long Material Type LGK	Category	Price	Freight charges	Price including freight charges
LGK, hot-dip galvanized	A	1619,-	263,-	1882,-
Castor Set, polyamide, Load capacity 1350 kg / castor set	A	185,-	15,-	200,-

Long Material Carrier Type LGT	Category	Price	Freight charges	Price including freight charges
LGT 1,5, painted	A	1863,-	366,-	2229,-
LGT 1,5, hot-dip galvanized	A	2186,-	366,-	2552,-
LGT 2,5, painted	A	2090,-	on request	on request
LGT 2,5, hot-dip galvanized	A	2502,-	on request	on request
LGT 3,5, painted	A	2887,-	on request	on request
LGT 3,5, hot-dip galvanized	A	3545,-	on request	on request
LGT 4,5, painted	A	3190,-	on request	on request
LGT 4,5, hot-dip galvanized	A	3933,-	on request	on request

Drum Claw Type LGZ	Category	Price	Freight charges	Price including freight charges
LGZ 60, painted	B	217,-	74,-	291,-
LGZ 60, galvanized	B	203,-	74,-	277,-
LGZ 200, painted	B	217,-	74,-	291,-
LGZ 200, galvanized	B	203,-	74,-	277,-

Crane Hook Type LH	Category	Price	Freight charges	Price including freight charges
LH-I 1,0, painted	A	192,-	74,-	266,-
LH-I 1,0, hot-dip galvanized	A	215,-	74,-	289,-
LH-I 1,5, painted	A	210,-	74,-	284,-
LH-I 1,5, hot-dip galvanized	A	233,-	74,-	307,-
LH-I 2,0, painted	A	221,-	74,-	295,-
LH-I 2,0, hot-dip galvanized	A	245,-	74,-	319,-
LH-I 2,5, painted	A	246,-	74,-	320,-
LH-I 2,5, hot-dip galvanized	A	269,-	74,-	343,-
LH-I 3,0, painted	A	319,-	74,-	393,-
LH-I 3,0, hot-dip galvanized	A	343,-	74,-	417,-
LH-II 1,5, painted	A	317,-	74,-	391,-
LH-II 1,5, hot-dip galvanized	A	365,-	74,-	439,-
LH-II 2,5, painted	A	419,-	74,-	493,-
LH-II 2,5, hot-dip galvanized	A	498,-	74,-	572,-
LH-II 5,0, painted	A	695,-	184,-	879,-
LH-II 5,0, hot-dip galvanized	A	780,-	184,-	964,-
LH-II 7,5, painted	A	827,-	184,-	1011,-
LH-II 7,5, hot-dip galvanized	A	916,-	184,-	1100,-

Long Load Handler Type LSL	Category	Price	Freight charges	Price including freight charges
LSL, painted	A	1102,-	263,-	1365,-
LSL, hot-dip galvanized	A	1265,-	263,-	1528,-

Long Material Sidecar Type LSW	Category	Price	Freight charges	Price including freight charges
LSW 1,3, painted	A	920,-	184,-	1104,-

Prices in EUR, valid EXW DE-46354 Südlohn, DE-38820 Halberstadt, unpacked
 Freight charges valid CPT Great Britain, islands & the following post code areas excluded: IC, ZE

Price List 0424 en-GB

Forklift Truck Attachments



Long Material Sidecar Type LSW	Category	Price	Freight charges	Price including freight charges
LSW 1,3, hot-dip galvanized	A	982,-	263,-	1245,-
LSW 2,5, painted	A	1093,-	184,-	1277,-
LSW 2,5, hot-dip galvanized	A	1156,-	263,-	1419,-
Access Safety Platform Type MB-B	Category	Price	Freight charges	Price including freight charges
MB-B, painted	A	1048,-	263,-	1311,-
Castor Set, polyamide, Load capacity 1050 kg / castor set	A	131,-	15,-	146,-
Access Safety Platform Type MB-B/L	Category	Price	Freight charges	Price including freight charges
MB-B/L, painted	A	1230,-	263,-	1493,-
Castor Set, polyamide, Load capacity 1050 kg / castor set	A	131,-	15,-	146,-
Access Safety Platform Type MB-D	Category	Price	Freight charges	Price including freight charges
MB-D, painted	A	877,-	263,-	1140,-
Castor Set, polyamide, Load capacity 1050 kg / castor set	A	131,-	15,-	146,-
Access Safety Platform Type MB-D/L	Category	Price	Freight charges	Price including freight charges
MB-D/L, painted	A	1058,-	263,-	1321,-
Castor Set, polyamide, Load capacity 1050 kg / castor set	A	131,-	15,-	146,-
Access Safety Platform Type MB-F	Category	Price	Freight charges	Price including freight charges
MB-F, painted	A	1037,-	263,-	1300,-
Castor Set, polyamide, Load capacity 1050 kg / castor set	A	131,-	15,-	146,-
Access Safety Platform Type MB-II	Category	Price	Freight charges	Price including freight charges
MB-II, painted	A	960,-	263,-	1223,-
Castor Set, polyamide, Load capacity 1050 kg / castor set	A	131,-	15,-	146,-
MB-II, hot-dip galvanized	A	1131,-	263,-	1394,-
Castor Set, polyamide, Load capacity 1050 kg / castor set	A	131,-	15,-	146,-
Access Safety Platform Type MB-K-IV	Category	Price	Freight charges	Price including freight charges
MB-K-IV, painted	A	1943,-	313,-	2256,-
Access Safety Platform Type MB-ST	Category	Price	Freight charges	Price including freight charges
MB-ST, painted	A	2488,-	263,-	2751,-
Castor Set, polyamide, Load capacity 1050 kg / castor set	A	131,-	15,-	146,-
Access Safety Platform Type MB-ST/L	Category	Price	Freight charges	Price including freight charges
MB-ST/L, painted	A	2670,-	263,-	2933,-
Castor Set, polyamide, Load capacity 1050 kg / castor set	A	131,-	15,-	146,-
Access Safety Platform Type MB-ST/T	Category	Price	Freight charges	Price including freight charges
MB-ST/T, painted	A	2804,-	263,-	3067,-
Castor Set, polyamide, Load capacity 1050 kg / castor set	A	131,-	15,-	146,-

Prices in EUR, valid EXW DE-46354 Südlohn, DE-38820 Halberstadt, unpacked
 Freight charges valid CPT Great Britain, islands & the following post code areas excluded: IC, ZE

Price List 0424 en-GB

Forklift Truck Attachments



Access Safety Platform Type MB-ST/T/L	Category	Price	Freight charges	Price including freight charges
MB-ST/T/L, painted	A	2987,-	263,-	3250,-
Castor Set, polyamide, Load capacity 1050 kg / castor set	A	131,-	15,-	146,-

Mini Tilting Container Type MGU	Category	Price	Freight charges	Price including freight charges
MGU 230, painted	A	549,-	184,-	733,-
Lid, galvanized	A	126,-	18,-	144,-
Castor Set, polyamide, Load capacity 1050 kg / castor set	A	150,-	15,-	165,-
Skip Body Welded Oil and Watertight	A	75,-	0,-	75,-
MGU 230, hot-dip galvanized	A	632,-	263,-	895,-
Lid, galvanized	A	126,-	18,-	144,-
Castor Set, polyamide, Load capacity 1050 kg / castor set	A	150,-	15,-	165,-
Skip Body Welded Oil and Watertight	A	75,-	0,-	75,-
MGU 270, painted	A	600,-	263,-	863,-
Lid, galvanized	A	126,-	18,-	144,-
Castor Set, polyamide, Load capacity 1050 kg / castor set	A	150,-	15,-	165,-
Skip Body Welded Oil and Watertight	A	75,-	0,-	75,-
MGU 270, hot-dip galvanized	A	704,-	263,-	967,-
Lid, galvanized	A	126,-	18,-	144,-
Castor Set, polyamide, Load capacity 1050 kg / castor set	A	150,-	15,-	165,-
Skip Body Welded Oil and Watertight	A	75,-	0,-	75,-
MGU 460, painted	A	787,-	263,-	1050,-
Lid, galvanized	A	163,-	22,-	185,-
Castor Set, polyamide, Load capacity 1050 kg / castor set	A	150,-	15,-	165,-
Skip Body Welded Oil and Watertight	A	75,-	0,-	75,-
MGU 460, hot-dip galvanized	A	934,-	263,-	1197,-
Lid, galvanized	A	163,-	22,-	185,-
Castor Set, polyamide, Load capacity 1050 kg / castor set	A	150,-	15,-	165,-
Skip Body Welded Oil and Watertight	A	75,-	0,-	75,-
MGU 610, painted	A	887,-	263,-	1150,-
Lid, galvanized	A	174,-	26,-	200,-
Castor Set, polyamide, Load capacity 1050 kg / castor set	A	150,-	15,-	165,-
Skip Body Welded Oil and Watertight	A	75,-	0,-	75,-
MGU 610, hot-dip galvanized	A	1052,-	263,-	1315,-
Lid, galvanized	A	174,-	26,-	200,-
Castor Set, polyamide, Load capacity 1050 kg / castor set	A	150,-	15,-	165,-
Skip Body Welded Oil and Watertight	A	75,-	0,-	75,-

Wheelie Bin Jack Type MH	Category	Price	Freight charges	Price including freight charges
MH-I, painted	A	634,-	184,-	818,-
MH-II, painted	A	700,-	184,-	884,-
MH-III, painted	A	757,-	184,-	941,-

Wheelie Bin Tipper Type MK	Category	Price	Freight charges	Price including freight charges
MK 120, painted	A	1229,-	184,-	1413,-
MK 240, painted	A	1229,-	184,-	1413,-

Prices in EUR, valid EXW DE-46354 Südlohn, DE-38820 Halberstadt, unpacked
 Freight charges valid CPT Great Britain, islands & the following post code areas excluded: IC, ZE

Price List 0424 en-GB

Forklift Truck Attachments



Wheeler Bin Tipper Type MK-H	Category	Price	Freight charges	Price including freight charges
MK-H 120, painted	A	1837,-	184,-	2021,-
MK-H 240, painted	A	1837,-	263,-	2100,-

Mini Container With Drop Away Base Type MSB	Category	Price	Freight charges	Price including freight charges
MSB 150, painted	A	614,-	184,-	798,-
Castor Set, polyamide, Load capacity 1050 kg / castor set	A	150,-	15,-	165,-
Guiding Plates, galvanized	A	70,-	12,-	82,-
MSB 150, hot-dip galvanized	A	720,-	184,-	904,-
Castor Set, polyamide, Load capacity 1050 kg / castor set	A	150,-	15,-	165,-
Guiding Plates, galvanized	A	70,-	12,-	82,-
MSB 250, painted	A	666,-	184,-	850,-
Castor Set, polyamide, Load capacity 1050 kg / castor set	A	150,-	15,-	165,-
Guiding Plates, galvanized	A	70,-	12,-	82,-
MSB 250, hot-dip galvanized	A	798,-	184,-	982,-
Castor Set, polyamide, Load capacity 1050 kg / castor set	A	150,-	15,-	165,-
Guiding Plates, galvanized	A	70,-	12,-	82,-
MSB 400, painted	A	821,-	263,-	1084,-
Castor Set, polyamide, Load capacity 1050 kg / castor set	A	150,-	15,-	165,-
Guiding Plates, galvanized	A	70,-	12,-	82,-
MSB 400, hot-dip galvanized	A	983,-	263,-	1246,-
Castor Set, polyamide, Load capacity 1050 kg / castor set	A	150,-	15,-	165,-
Guiding Plates, galvanized	A	70,-	12,-	82,-

Tilting Container Type NK	Category	Price	Freight charges	Price including freight charges
NK 30, painted	A	676,-	263,-	939,-
Lid, galvanized	A	94,-	15,-	109,-
Castor Set, polyamide, Load capacity 1350 kg / castor set	A	185,-	15,-	200,-
Skip Body Welded Oil and Watertight	A	75,-	0,-	75,-
NK 30, hot-dip galvanized	A	950,-	263,-	1213,-
Lid, galvanized	A	94,-	15,-	109,-
Castor Set, polyamide, Load capacity 1350 kg / castor set	A	185,-	15,-	200,-
Skip Body Welded Oil and Watertight	A	75,-	0,-	75,-
NK 50, painted	A	950,-	263,-	1213,-
Lid, galvanized	A	94,-	18,-	112,-
Castor Set, polyamide, Load capacity 1350 kg / castor set	A	185,-	15,-	200,-
Skip Body Welded Oil and Watertight	A	75,-	0,-	75,-
NK 50, hot-dip galvanized	A	1282,-	263,-	1545,-
Lid, galvanized	A	94,-	18,-	112,-
Castor Set, polyamide, Load capacity 1350 kg / castor set	A	185,-	15,-	200,-
Skip Body Welded Oil and Watertight	A	75,-	0,-	75,-
NK 75, painted	A	1077,-	366,-	1443,-
Lid, galvanized	A	137,-	22,-	159,-
Castor Set, polyamide, Load capacity 1350 kg / castor set	A	185,-	15,-	200,-
Skip Body Welded Oil and Watertight	A	75,-	0,-	75,-
NK 75, hot-dip galvanized	A	1684,-	366,-	2050,-

Prices in EUR, valid EXW DE-46354 Südlohn, DE-38820 Halberstadt, unpacked
 Freight charges valid CPT Great Britain, islands & the following post code areas excluded: IC, ZE

Price List 0424 en-GB

Forklift Truck Attachments



Tilting Container Type NK	Category	Price	Freight charges	Price including freight charges
Lid, galvanized	A	137,-	22,-	159,-
Castor Set, polyamide, Load capacity 1350 kg / castor set	A	185,-	15,-	200,-
Skip Body Welded Oil and Watertight	A	75,-	0,-	75,-
NK 100, painted	A	1457,-	366,-	1823,-
Lid, galvanized	A	167,-	27,-	194,-
Castor Set, polyamide, Load capacity 1350 kg / castor set	A	185,-	15,-	200,-
Skip Body Welded Oil and Watertight	A	116,-	0,-	116,-
NK 100, hot-dip galvanized	A	2000,-	366,-	2366,-
Lid, galvanized	A	167,-	27,-	194,-
Castor Set, polyamide, Load capacity 1350 kg / castor set	A	185,-	15,-	200,-
Skip Body Welded Oil and Watertight	A	116,-	0,-	116,-
Cylindrical Container Type RB	Category	Price	Freight charges	Price including freight charges
RB 300, painted	A	656,-	184,-	840,-
Lid, aluminium	A	154,-	14,-	168,-
Castor Set, polyamide, Load capacity 1050 kg / castor set	A	150,-	15,-	165,-
RB 300, hot-dip galvanized	A	763,-	184,-	947,-
Lid, aluminium	A	154,-	14,-	168,-
Castor Set, polyamide, Load capacity 1050 kg / castor set	A	150,-	15,-	165,-
RB 450, painted	A	766,-	184,-	950,-
Lid, aluminium	A	154,-	14,-	168,-
Castor Set, polyamide, Load capacity 1050 kg / castor set	A	150,-	15,-	165,-
RB 450, hot-dip galvanized	A	895,-	184,-	1079,-
Lid, aluminium	A	154,-	14,-	168,-
Castor Set, polyamide, Load capacity 1050 kg / castor set	A	150,-	15,-	165,-
Tilting Container Type RD	Category	Price	Freight charges	Price including freight charges
RD 750, painted	A	1161,-	366,-	1527,-
Castor Set, polyamide, Load capacity 1350 kg / castor set	A	185,-	15,-	200,-
Skip Body Welded Oil and Watertight	A	75,-	0,-	75,-
RD 750, hot-dip galvanized	A	1547,-	366,-	1913,-
Castor Set, polyamide, Load capacity 1350 kg / castor set	A	185,-	15,-	200,-
Skip Body Welded Oil and Watertight	A	75,-	0,-	75,-
RD 1000, painted	A	1400,-	366,-	1766,-
Castor Set, polyamide, Load capacity 1350 kg / castor set	A	185,-	15,-	200,-
Skip Body Welded Oil and Watertight	A	116,-	0,-	116,-
RD 1000, hot-dip galvanized	A	1867,-	366,-	2233,-
Castor Set, polyamide, Load capacity 1350 kg / castor set	A	185,-	15,-	200,-
Skip Body Welded Oil and Watertight	A	116,-	0,-	116,-
Platform for Off-Cuts Type RGP	Category	Price	Freight charges	Price including freight charges
RGP-1, painted	A	2354,-	on request	on request
RGP-1, hot-dip galvanized	A	3012,-	on request	on request
RGP-2, painted	A	2578,-	on request	on request
RGP-2, hot-dip galvanized	A	3437,-	on request	on request

Prices in EUR, valid EXW DE-46354 Südlohn, DE-38820 Halberstadt, unpacked
 Freight charges valid CPT Great Britain, islands & the following post code areas excluded: IC, ZE

Price List 0424 en-GB

Forklift Truck Attachments



Platform for Off-Cuts Type RGP	Category	Price	Freight charges	Price including freight charges
RGP-3, painted	A	2808,-	on request	on request
RGP-3, hot-dip galvanized	A	3783,-	on request	on request
Shunting Aid Type RH	Category	Price	Freight charges	Price including freight charges
RH, painted	A	411,-	74,-	485,-
Shunting Aid Type RH-AC	Category	Price	Freight charges	Price including freight charges
RH-AC, painted	A	2227,-	366,-	2593,-
Shunting Aid Type RH-RA	Category	Price	Freight charges	Price including freight charges
RH-RA, painted	A	1532,-	184,-	1716,-
Shunting Aid Type RH-RAK	Category	Price	Freight charges	Price including freight charges
RH-RAK, painted	A	1633,-	184,-	1817,-
Shunting Aid Type RH-RM	Category	Price	Freight charges	Price including freight charges
RH-RM, painted	A	1138,-	184,-	1322,-
Shunting Aid Type RH-RMK	Category	Price	Freight charges	Price including freight charges
RH-RMK, painted	A	1241,-	184,-	1425,-
Drum Lifter Type RS 60	Category	Price	Freight charges	Price including freight charges
RS 60-I, painted	B	978,-	184,-	1162,-
RS 60-I, hot-dip galvanized	B	1039,-	184,-	1223,-
RS 60-II, painted	B	1655,-	184,-	1839,-
RS 60-II, hot-dip galvanized	B	1737,-	184,-	1921,-
Drum Lifter Type RS	Category	Price	Freight charges	Price including freight charges
RS-I/91, painted	B	1643,-	263,-	1906,-
RS-I/91, hot-dip galvanized	B	1879,-	263,-	2142,-
RS-II/91, painted	B	2848,-	263,-	3111,-
RS-II/91, hot-dip galvanized	B	3207,-	263,-	3470,-
RS-I/M, painted	B	1503,-	184,-	1687,-
RS-I/M, hot-dip galvanized	B	1737,-	263,-	2000,-
RS-II/M, painted	B	2572,-	263,-	2835,-
RS-II/M, hot-dip galvanized	B	2927,-	263,-	3190,-
Drum Lifter Type RS/D 91	Category	Price	Freight charges	Price including freight charges
RS-I/D 91, painted	B	1437,-	263,-	1700,-
RS-I/D 91, hot-dip galvanized	B	1671,-	263,-	1934,-
RS-II/D 91, painted	B	2435,-	263,-	2698,-
RS-II/D 91, hot-dip galvanized	B	2789,-	263,-	3052,-

Prices in EUR, valid EXW DE-46354 Südlohn, DE-38820 Halberstadt, unpacked
 Freight charges valid CPT Great Britain, islands & the following post code areas excluded: IC, ZE

Price List 0424 en-GB

Forklift Truck Attachments



Swarf Tilting Container Type S3S	Category	Price	Freight charges	Price including freight charges
S3S 300, painted	A	1311,-	263,-	1574,-
Lid, galvanized	A	168,-	18,-	186,-
Castor Set, polyamide, Load capacity 1050 kg / castor set	A	131,-	15,-	146,-
S3S 300, hot-dip galvanized	A	1404,-	366,-	1770,-
Lid, galvanized	A	168,-	18,-	186,-
Castor Set, polyamide, Load capacity 1050 kg / castor set	A	131,-	15,-	146,-
S3S 600, painted	A	1365,-	366,-	1731,-
Lid, galvanized	A	189,-	22,-	211,-
Castor Set, polyamide, Load capacity 1050 kg / castor set	A	131,-	15,-	146,-
S3S 600, hot-dip galvanized	A	1462,-	366,-	1828,-
Lid, galvanized	A	189,-	22,-	211,-
Castor Set, polyamide, Load capacity 1050 kg / castor set	A	131,-	15,-	146,-
Swarf Tilting Container Type S4A	Category	Price	Freight charges	Price including freight charges
S4A 600, painted	A	1228,-	263,-	1491,-
Lid, galvanized	A	189,-	22,-	211,-
S4A 600, hot-dip galvanized	A	1370,-	263,-	1633,-
Lid, galvanized	A	189,-	22,-	211,-
S4A 900, painted	A	1360,-	366,-	1726,-
Lid, galvanized	A	215,-	27,-	242,-
S4A 900, hot-dip galvanized	A	1541,-	366,-	1907,-
Lid, galvanized	A	215,-	27,-	242,-
S4A 1200, painted	A	1446,-	366,-	1812,-
Lid, galvanized	A	215,-	26,-	241,-
S4A 1200, hot-dip galvanized	A	1671,-	366,-	2037,-
Lid, galvanized	A	215,-	26,-	241,-
Container With Drop Away Base Type SB	Category	Price	Freight charges	Price including freight charges
SB 500, painted	B	966,-	263,-	1229,-
Lid, galvanized	B	138,-	16,-	154,-
Castor Set, polyamide, Load capacity 1350 kg / castor set	A	185,-	15,-	200,-
Castor Set, polyamide, Load capacity 2550 kg / castor set	A	366,-	15,-	381,-
SB 500, hot-dip galvanized	B	1258,-	263,-	1521,-
Lid, galvanized	B	138,-	16,-	154,-
Castor Set, polyamide, Load capacity 1350 kg / castor set	A	185,-	15,-	200,-
Castor Set, polyamide, Load capacity 2550 kg / castor set	A	366,-	15,-	381,-
SB 750, painted	B	1057,-	263,-	1320,-
Lid, galvanized	B	138,-	16,-	154,-
Castor Set, polyamide, Load capacity 1350 kg / castor set	A	185,-	15,-	200,-
Castor Set, polyamide, Load capacity 2550 kg / castor set	A	366,-	15,-	381,-
SB 750, hot-dip galvanized	B	1468,-	366,-	1834,-
Lid, galvanized	B	138,-	16,-	154,-
Castor Set, polyamide, Load capacity 1350 kg / castor set	A	185,-	15,-	200,-
Castor Set, polyamide, Load capacity 2550 kg / castor set	A	366,-	15,-	381,-
SB 1000, painted	B	1251,-	366,-	1617,-

Prices in EUR, valid EXW DE-46354 Südlohn, DE-38820 Halberstadt, unpacked
 Freight charges valid CPT Great Britain, islands & the following post code areas excluded: IC, ZE

Price List 0424 en-GB

Forklift Truck Attachments



Container With Drop Away Base Type SB	Category	Price	Freight charges	Price including freight charges
Lid, galvanized	B	138,-	16,-	154,-
Castor Set, polyamide, Load capacity 1350 kg / castor set	A	185,-	15,-	200,-
Castor Set, polyamide, Load capacity 2550 kg / castor set	A	366,-	15,-	381,-
SB 1000, hot-dip galvanized	B	1740,-	366,-	2106,-
Lid, galvanized	B	138,-	16,-	154,-
Castor Set, polyamide, Load capacity 1350 kg / castor set	A	185,-	15,-	200,-
Castor Set, polyamide, Load capacity 2550 kg / castor set	A	366,-	15,-	381,-
SB 1500, painted	B	1695,-	366,-	2061,-
Lid, galvanized	B	245,-	21,-	266,-
Castor Set, polyamide, Load capacity 1350 kg / castor set	A	185,-	15,-	200,-
Castor Set, polyamide, Load capacity 2550 kg / castor set	A	366,-	15,-	381,-
SB 1500, hot-dip galvanized	B	2360,-	439,-	2799,-
Lid, galvanized	B	245,-	21,-	266,-
Castor Set, polyamide, Load capacity 1350 kg / castor set	A	185,-	15,-	200,-
Castor Set, polyamide, Load capacity 2550 kg / castor set	A	366,-	15,-	381,-
SB 2000, painted	B	1742,-	439,-	2181,-
Lid, galvanized	B	245,-	21,-	266,-
Castor Set, polyamide, Load capacity 1350 kg / castor set	A	185,-	15,-	200,-
Castor Set, polyamide, Load capacity 2550 kg / castor set	A	366,-	15,-	381,-
SB 2000, hot-dip galvanized	B	2493,-	439,-	2932,-
Lid, galvanized	B	245,-	21,-	266,-
Castor Set, polyamide, Load capacity 1350 kg / castor set	A	185,-	15,-	200,-
Castor Set, polyamide, Load capacity 2550 kg / castor set	A	366,-	15,-	381,-
Collecting System Type SBS	Category	Price	Freight charges	Price including freight charges
SBS 500, painted	C	385,-	263,-	648,-
Trolley TW 500, hot-dip galvanized	C	249,-	184,-	433,-
SBS 500, hot-dip galvanized	C	456,-	263,-	719,-
Trolley TW 500, hot-dip galvanized	C	249,-	184,-	433,-
SBS 1000, painted	C	491,-	263,-	754,-
Trolley TW 1000, hot-dip galvanized	C	286,-	184,-	470,-
SBS 1000, hot-dip galvanized	C	604,-	366,-	970,-
Trolley TW 1000, hot-dip galvanized	C	286,-	184,-	470,-
SBS 2000, painted	C	779,-	415,-	1194,-
Trolley TW 2000, hot-dip galvanized	C	487,-	184,-	671,-
SBS 2000, hot-dip galvanized	C	935,-	415,-	1350,-
Trolley TW 2000, hot-dip galvanized	C	487,-	184,-	671,-
Filling Hopper Type SBT	Category	Price	Freight charges	Price including freight charges
SBT, painted	A	1614,-	366,-	1980,-
Snowdozer Type SCH-F	Category	Price	Freight charges	Price including freight charges
SCH-F 150, painted	A	2157,-	366,-	2523,-
SCH-F 180, painted	A	2422,-	366,-	2788,-
SCH-F 210, painted	A	2722,-	366,-	3088,-

Prices in EUR, valid EXW DE-46354 Südlohn, DE-38820 Halberstadt, unpacked
 Freight charges valid CPT Great Britain, islands & the following post code areas excluded: IC, ZE

Price List 0424 en-GB

Forklift Truck Attachments



Snowdozer Type SCH-F	Category	Price	Freight charges	Price including freight charges
SCH-F 240, painted	A	2990,-	489,-	3479,-
Snowdozer Type SCH-G	Category	Price	Freight charges	Price including freight charges
SCH-G 150, painted	A	1530,-	263,-	1793,-
SCH-G 180, painted	A	1671,-	263,-	1934,-
SCH-G 210, painted	A	1930,-	366,-	2296,-
SCH-G 240, painted	A	2086,-	416,-	2502,-
Snowdozer Type SCH-L	Category	Price	Freight charges	Price including freight charges
SCH-L 1500, painted	A	1142,-	263,-	1405,-
SCH-L 1500, hot-dip galvanized	A	1265,-	263,-	1528,-
SCH-L 1800, painted	A	1333,-	263,-	1596,-
SCH-L 1800, hot-dip galvanized	A	1480,-	263,-	1743,-
Snow Plough Type SCH-P-G	Category	Price	Freight charges	Price including freight charges
SCH-P-G 150, painted	A	2408,-	366,-	2774,-
SCH-P-G 180, painted	A	2586,-	366,-	2952,-
SCH-P-G 210, painted	A	2772,-	366,-	3138,-
SCH-P-G 240, painted	A	3292,-	416,-	3708,-
Snow Plough Type SCH-P-S	Category	Price	Freight charges	Price including freight charges
SCH-P-S 150, painted	A	2239,-	366,-	2605,-
SCH-P-S 180, painted	A	2392,-	366,-	2758,-
SCH-P-S 210, painted	A	2540,-	366,-	2906,-
SCH-P-S 240, painted	A	3022,-	416,-	3438,-
Snow Plough Type SCH-P-V	Category	Price	Freight charges	Price including freight charges
SCH-P-V 150, painted	A	2590,-	366,-	2956,-
SCH-P-V 180, painted	A	2849,-	366,-	3215,-
SCH-P-V 210, painted	A	3091,-	366,-	3457,-
SCH-P-V 240, painted	A	3614,-	416,-	4030,-
Snowdozer Type SCH-S	Category	Price	Freight charges	Price including freight charges
SCH-S 150, painted	A	1359,-	263,-	1622,-
SCH-S 180, painted	A	1476,-	263,-	1739,-
SCH-S 210, painted	A	1700,-	366,-	2066,-
SCH-S 240, painted	A	1816,-	416,-	2232,-
Snow Plough Type SCH-U-G	Category	Price	Freight charges	Price including freight charges
SCH-U-G 150, painted	A	2408,-	366,-	2774,-
SCH-U-G 180, painted	A	2586,-	366,-	2952,-
SCH-U-G 210, painted	A	2772,-	366,-	3138,-
SCH-U-G 240, painted	A	3292,-	416,-	3708,-

Prices in EUR, valid EXW DE-46354 Südlohn, DE-38820 Halberstadt, unpacked
 Freight charges valid CPT Great Britain, islands & the following post code areas excluded: IC, ZE

Price List 0424 en-GB

Forklift Truck Attachments



Snow Plough Type SCH-U-S	Category	Price	Freight charges	Price including freight charges
SCH-U-S 150, painted	A	2239,-	366,-	2605,-
SCH-U-S 180, painted	A	2392,-	366,-	2758,-
SCH-U-S 210, painted	A	2540,-	366,-	2906,-
SCH-U-S 240, painted	A	3022,-	416,-	3438,-
Snow Plough Type SCH-U-V	Category	Price	Freight charges	Price including freight charges
SCH-U-V 150, painted	A	2590,-	366,-	2956,-
SCH-U-V 180, painted	A	2849,-	366,-	3215,-
SCH-U-V 210, painted	A	3091,-	366,-	3457,-
SCH-U-V 240, painted	A	3614,-	416,-	4030,-
Snowdozer Type SCH-V	Category	Price	Freight charges	Price including freight charges
SCH-V 150, painted	A	1709,-	263,-	1972,-
SCH-V 180, painted	A	1923,-	263,-	2186,-
SCH-V 210, painted	A	2252,-	366,-	2618,-
SCH-V 240, painted	A	2407,-	416,-	2823,-
Silo Container Type SG	Category	Price	Freight charges	Price including freight charges
SG 375, painted	E	979,-	263,-	1242,-
Lid, galvanized	E	126,-	28,-	154,-
SG 375, hot-dip galvanized	E	1700,-	263,-	1963,-
Lid, galvanized	E	126,-	28,-	154,-
SG 600, painted	E	1168,-	263,-	1431,-
Lid, galvanized	E	126,-	28,-	154,-
SG 600, hot-dip galvanized	E	1885,-	263,-	2148,-
Lid, galvanized	E	126,-	28,-	154,-
Silo Container Type SG-D	Category	Price	Freight charges	Price including freight charges
SG-D 375, painted	E	979,-	184,-	1163,-
Lid, galvanized	E	126,-	28,-	154,-
SG-D 375, hot-dip galvanized	E	1700,-	263,-	1963,-
Lid, galvanized	E	126,-	28,-	154,-
SG-D 600, painted	E	1168,-	263,-	1431,-
Lid, galvanized	E	126,-	28,-	154,-
SG-D 600, hot-dip galvanized	E	1885,-	263,-	2148,-
Lid, galvanized	E	126,-	28,-	154,-
Silo Container Type SGK	Category	Price	Freight charges	Price including freight charges
SGK 50, painted	A	1077,-	263,-	1340,-
SGK 50, hot-dip galvanized	A	1103,-	263,-	1366,-
SGK 75, painted	A	1172,-	263,-	1435,-
SGK 75, hot-dip galvanized	A	1208,-	263,-	1471,-
SGK 100, painted	A	1282,-	263,-	1545,-
SGK 100, hot-dip galvanized	A	1320,-	263,-	1583,-

Prices in EUR, valid EXW DE-46354 Südlohn, DE-38820 Halberstadt, unpacked
 Freight charges valid CPT Great Britain, islands & the following post code areas excluded: IC, ZE

Price List 0424 en-GB

Forklift Truck Attachments



Silo Container Type SGS	Category	Price	Freight charges	Price including freight charges
SGS 50, painted	A	855,-	184,-	1039,-
SGS 50, hot-dip galvanized	A	871,-	263,-	1134,-
SGS 75, painted	A	948,-	263,-	1211,-
SGS 75, hot-dip galvanized	A	980,-	263,-	1243,-
SGS 100, painted	A	1041,-	263,-	1304,-
SGS 100, hot-dip galvanized	A	1072,-	263,-	1335,-

Swarf Tilting Container Type SGU	Category	Price	Freight charges	Price including freight charges
SGU 30, painted	A	908,-	263,-	1171,-
Lid, galvanized	A	94,-	18,-	112,-
Castor Set, polyamide, Load capacity 1350 kg / castor set	A	185,-	15,-	200,-
Crane lifting eyes for use with a crane	A	102,-	8,-	110,-
Support legs, 100 mm ground leeway	A	67,-	8,-	75,-
SGU 30, hot-dip galvanized	A	1079,-	263,-	1342,-
Lid, galvanized	A	94,-	18,-	112,-
Castor Set, polyamide, Load capacity 1350 kg / castor set	A	185,-	15,-	200,-
Crane lifting eyes for use with a crane	A	102,-	8,-	110,-
Support legs, 100 mm ground leeway	A	67,-	8,-	75,-
SGU 50, painted	A	1123,-	263,-	1386,-
Lid, galvanized	A	94,-	18,-	112,-
Castor Set, polyamide, Load capacity 1350 kg / castor set	A	185,-	15,-	200,-
Adjustable dumping brake	A	448,-	10,-	458,-
Crane lifting eyes for use with a crane	A	102,-	8,-	110,-
Support legs, 100 mm ground leeway	A	67,-	8,-	75,-
SGU 50, hot-dip galvanized	A	1359,-	263,-	1622,-
Lid, galvanized	A	94,-	18,-	112,-
Castor Set, polyamide, Load capacity 1350 kg / castor set	A	185,-	15,-	200,-
Adjustable dumping brake	A	448,-	10,-	458,-
Crane lifting eyes for use with a crane	A	102,-	8,-	110,-
Support legs, 100 mm ground leeway	A	67,-	8,-	75,-
SGU 75, painted	A	1267,-	263,-	1530,-
Lid, galvanized	A	134,-	26,-	160,-
Castor Set, polyamide, Load capacity 1350 kg / castor set	A	185,-	15,-	200,-
Adjustable dumping brake	A	448,-	10,-	458,-
Crane lifting eyes for use with a crane	A	102,-	8,-	110,-
Support legs, 100 mm ground leeway	A	67,-	8,-	75,-
SGU 75, hot-dip galvanized	A	1568,-	263,-	1831,-
Lid, galvanized	A	134,-	26,-	160,-
Castor Set, polyamide, Load capacity 1350 kg / castor set	A	185,-	15,-	200,-
Adjustable dumping brake	A	448,-	10,-	458,-
Crane lifting eyes for use with a crane	A	102,-	8,-	110,-
Support legs, 100 mm ground leeway	A	67,-	8,-	75,-
SGU 100, painted	A	1517,-	366,-	1883,-
Lid, galvanized	A	185,-	27,-	212,-
Castor Set, polyamide, Load capacity 1350 kg / castor set	A	185,-	15,-	200,-
Adjustable dumping brake	A	448,-	10,-	458,-

Prices in EUR, valid EXW DE-46354 Südlohn, DE-38820 Halberstadt, unpacked
 Freight charges valid CPT Great Britain, islands & the following post code areas excluded: IC, ZE

Price List 0424 en-GB

Forklift Truck Attachments



Swarf Tilting Container Type SGU	Category	Price	Freight charges	Price including freight charges
Crane lifting eyes for use with a crane	A	102,-	8,-	110,-
Support legs, 100 mm ground leeway	A	67,-	8,-	75,-
SGU 100, hot-dip galvanized	A	2048,-	366,-	2414,-
Lid, galvanized	A	185,-	27,-	212,-
Castor Set, polyamide, Load capacity 1350 kg / castor set	A	185,-	15,-	200,-
Adjustable dumping brake	A	448,-	10,-	458,-
Crane lifting eyes for use with a crane	A	102,-	8,-	110,-
Support legs, 100 mm ground leeway	A	67,-	8,-	75,-
SGU 150, painted	A	1704,-	366,-	2070,-
Lid, galvanized	A	185,-	27,-	212,-
Castor Set, polyamide, Load capacity 1350 kg / castor set	A	185,-	15,-	200,-
Adjustable dumping brake	A	448,-	10,-	458,-
Crane lifting eyes for use with a crane	A	102,-	8,-	110,-
Support legs, 100 mm ground leeway	A	67,-	8,-	75,-
SGU 150, hot-dip galvanized	A	2166,-	366,-	2532,-
Lid, galvanized	A	185,-	27,-	212,-
Castor Set, polyamide, Load capacity 1350 kg / castor set	A	185,-	15,-	200,-
Adjustable dumping brake	A	448,-	10,-	458,-
Crane lifting eyes for use with a crane	A	102,-	8,-	110,-
Support legs, 100 mm ground leeway	A	67,-	8,-	75,-
SGU 200, painted	A	2140,-	439,-	2579,-
Lid, galvanized	A	218,-	32,-	250,-
Castor Set, polyamide, Load capacity 1350 kg / castor set	A	185,-	15,-	200,-
Adjustable dumping brake	A	448,-	10,-	458,-
Crane lifting eyes for use with a crane	A	102,-	8,-	110,-
Support legs, 100 mm ground leeway	A	67,-	8,-	75,-
SGU 200, hot-dip galvanized	A	2685,-	439,-	3124,-
Castor Set, polyamide, Load capacity 1350 kg / castor set	A	185,-	15,-	200,-
Lid, galvanized	A	218,-	32,-	250,-
Adjustable dumping brake	A	448,-	10,-	458,-
Crane lifting eyes for use with a crane	A	102,-	8,-	110,-
Support legs, 100 mm ground leeway	A	67,-	8,-	75,-
Swarf Tilting Container Type SGU-RZ	Category	Price	Freight charges	Price including freight charges
SGU-RZ 30, painted	A	939,-	263,-	1202,-
Lid, galvanized	A	91,-	18,-	109,-
SGU-RZ 30, hot-dip galvanized	A	1059,-	263,-	1322,-
Lid, galvanized	A	91,-	18,-	109,-
SGU-RZ 55, painted	A	1161,-	263,-	1424,-
Lid, galvanized	A	91,-	18,-	109,-
SGU-RZ 55, hot-dip galvanized	A	1269,-	263,-	1532,-
Lid, galvanized	A	91,-	18,-	109,-
Gritter Type SH	Category	Price	Freight charges	Price including freight charges
SH, painted	A	3448,-	263,-	3711,-

Prices in EUR, valid EXW DE-46354 Südlohn, DE-38820 Halberstadt, unpacked
 Freight charges valid CPT Great Britain, islands & the following post code areas excluded: IC, ZE

Price List 0424 en-GB

Forklift Truck Attachments



Gritter Type SH	Category	Price	Freight charges	Price including freight charges
Tarpaulin	A	117,-	10,-	127,-
Forklift Safety Cage Type SIKO	Category	Price	Freight charges	Price including freight charges
SIKO, painted	A	701,-	184,-	885,-
Castor Set, polyamide, Load capacity 1050 kg / castor set	A	131,-	15,-	146,-
Forklift Safety Cage Type SIKO/L	Category	Price	Freight charges	Price including freight charges
SIKO/L, painted	A	848,-	184,-	1032,-
Castor Set, polyamide, Load capacity 1050 kg / castor set	A	131,-	15,-	146,-
Forklift Safety Cage Type SIKO-G	Category	Price	Freight charges	Price including freight charges
SIKO-G, painted	A	634,-	184,-	818,-
Forklift Safety Cage Type SIKO-M	Category	Price	Freight charges	Price including freight charges
SIKO-M, painted	A	511,-	184,-	695,-
Heavy Duty Tilting Container Type SK	Category	Price	Freight charges	Price including freight charges
SK 300, painted	A	1237,-	366,-	1603,-
Lid, galvanized	A	168,-	18,-	186,-
Castor Set, polyamide, Load capacity 2550 kg / castor set	A	366,-	15,-	381,-
Skip Body Welded Oil and Watertight	A	75,-	0,-	75,-
SK 300, hot-dip galvanized	A	1502,-	366,-	1868,-
Lid, galvanized	A	168,-	18,-	186,-
Castor Set, polyamide, Load capacity 2550 kg / castor set	A	366,-	15,-	381,-
Skip Body Welded Oil and Watertight	A	75,-	0,-	75,-
SK 600, painted	A	1339,-	366,-	1705,-
Lid, galvanized	A	189,-	22,-	211,-
Castor Set, polyamide, Load capacity 2550 kg / castor set	A	366,-	15,-	381,-
Skip Body Welded Oil and Watertight	A	75,-	0,-	75,-
SK 600, hot-dip galvanized	A	1665,-	439,-	2104,-
Lid, galvanized	A	189,-	22,-	211,-
Castor Set, polyamide, Load capacity 2550 kg / castor set	A	366,-	15,-	381,-
Skip Body Welded Oil and Watertight	A	75,-	0,-	75,-
SK 900, painted	A	1458,-	439,-	1897,-
Lid, galvanized	A	215,-	27,-	242,-
Castor Set, polyamide, Load capacity 2550 kg / castor set	A	366,-	15,-	381,-
Skip Body Welded Oil and Watertight	A	75,-	0,-	75,-
SK 900, hot-dip galvanized	A	1875,-	439,-	2314,-
Lid, galvanized	A	215,-	27,-	242,-
Castor Set, polyamide, Load capacity 2550 kg / castor set	A	366,-	15,-	381,-
Skip Body Welded Oil and Watertight	A	75,-	0,-	75,-
SK 1200, painted	A	1710,-	439,-	2149,-
Lid, galvanized	A	215,-	26,-	241,-
Castor Set, polyamide, Load capacity 2550 kg / castor set	A	366,-	15,-	381,-
Skip Body Welded Oil and Watertight	A	116,-	0,-	116,-

Prices in EUR, valid EXW DE-46354 Südlohn, DE-38820 Halberstadt, unpacked
 Freight charges valid CPT Great Britain, islands & the following post code areas excluded: IC, ZE

Price List 0424 en-GB

Forklift Truck Attachments



Heavy Duty Tilting Container Type SK	Category	Price	Freight charges	Price including freight charges
SK 1200, hot-dip galvanized	A	2200,-	596,-	2796,-
Lid, galvanized	A	215,-	26,-	241,-
Castor Set, polyamide, Load capacity 2550 kg / castor set	A	366,-	15,-	381,-
Skip Body Welded Oil and Watertight	A	116,-	0,-	116,-
SK 1700, painted	A	1799,-	596,-	2395,-
Lid, galvanized	A	266,-	33,-	299,-
Castor Set, polyamide, Load capacity 2550 kg / castor set	A	366,-	15,-	381,-
Skip Body Welded Oil and Watertight	A	116,-	0,-	116,-
SK 1700, hot-dip galvanized	A	2407,-	596,-	3003,-
Lid, galvanized	A	266,-	33,-	299,-
Castor Set, polyamide, Load capacity 2550 kg / castor set	A	366,-	15,-	381,-
Skip Body Welded Oil and Watertight	A	116,-	0,-	116,-
SK 2100, painted	A	1963,-	596,-	2559,-
Lid, galvanized	A	347,-	39,-	386,-
Castor Set, polyamide, Load capacity 2550 kg / castor set	A	366,-	15,-	381,-
Skip Body Welded Oil and Watertight	A	116,-	0,-	116,-
SK 2100, hot-dip galvanized	A	2646,-	596,-	3242,-
Lid, galvanized	A	347,-	39,-	386,-
Castor Set, polyamide, Load capacity 2550 kg / castor set	A	366,-	15,-	381,-
Skip Body Welded Oil and Watertight	A	116,-	0,-	116,-
Broom Type SKB	Category	Price	Freight charges	Price including freight charges
SKB 100, painted	A	925,-	184,-	1109,-
SKB 150, painted	A	1156,-	184,-	1340,-
SKB 200, painted	A	1425,-	184,-	1609,-
Broom Type SKB-0	Category	Price	Freight charges	Price including freight charges
SKB-0 100, painted	A	635,-	184,-	819,-
SKB-0 150, painted	A	867,-	184,-	1051,-
SKB-0 200, painted	A	1136,-	184,-	1320,-
Swarf Tipping Skip Type SKK	Category	Price	Freight charges	Price including freight charges
SKK 250, painted	E	515,-	184,-	699,-
Lid, galvanized	E	131,-	15,-	146,-
Castor Set, polyamide, Load capacity 1050 kg / castor set	A	131,-	15,-	146,-
Castor Set, solid rubber, Load capacity 615 kg / castor set	E	99,-	15,-	114,-
SKK 250, hot-dip galvanized	E	563,-	184,-	747,-
Lid, galvanized	E	131,-	15,-	146,-
Castor Set, polyamide, Load capacity 1050 kg / castor set	A	131,-	15,-	146,-
Castor Set, solid rubber, Load capacity 615 kg / castor set	E	99,-	15,-	114,-
SKK 400, painted	E	579,-	184,-	763,-
Lid, galvanized	E	150,-	16,-	166,-
Castor Set, polyamide, Load capacity 1050 kg / castor set	A	131,-	15,-	146,-
Castor Set, solid rubber, Load capacity 615 kg / castor set	E	99,-	15,-	114,-
SKK 400, hot-dip galvanized	E	627,-	184,-	811,-

Prices in EUR, valid EXW DE-46354 Südlohn, DE-38820 Halberstadt, unpacked
 Freight charges valid CPT Great Britain, islands & the following post code areas excluded: IC, ZE

Price List 0424 en-GB

Forklift Truck Attachments



Swarf Tipping Skip Type SKK	Category	Price	Freight charges	Price including freight charges
Lid, galvanized	E	150,-	16,-	166,-
Castor Set, polyamide, Load capacity 1050 kg / castor set	A	131,-	15,-	146,-
Castor Set, solid rubber, Load capacity 615 kg / castor set	E	99,-	15,-	114,-
SKK 600, painted	E	787,-	263,-	1050,-
Lid, galvanized	E	167,-	20,-	187,-
Castor Set, polyamide, Load capacity 1050 kg / castor set	A	131,-	15,-	146,-
Castor Set, solid rubber, Load capacity 615 kg / castor set	E	99,-	15,-	114,-
SKK 600, hot-dip galvanized	E	883,-	263,-	1146,-
Lid, galvanized	E	167,-	20,-	187,-
Castor Set, polyamide, Load capacity 1050 kg / castor set	A	131,-	15,-	146,-
Castor Set, solid rubber, Load capacity 615 kg / castor set	E	99,-	15,-	114,-
SKK 800, painted	E	842,-	263,-	1105,-
Lid, galvanized	E	174,-	21,-	195,-
Castor Set, polyamide, Load capacity 1050 kg / castor set	A	131,-	15,-	146,-
Castor Set, solid rubber, Load capacity 615 kg / castor set	E	99,-	15,-	114,-
SKK 800, hot-dip galvanized	E	946,-	263,-	1209,-
Lid, galvanized	E	174,-	21,-	195,-
Castor Set, polyamide, Load capacity 1050 kg / castor set	A	131,-	15,-	146,-
Castor Set, solid rubber, Load capacity 615 kg / castor set	E	99,-	15,-	114,-
SKK 1000, painted	E	898,-	263,-	1161,-
Lid, galvanized	E	186,-	22,-	208,-
Castor Set, polyamide, Load capacity 1050 kg / castor set	A	131,-	15,-	146,-
Castor Set, solid rubber, Load capacity 615 kg / castor set	E	99,-	15,-	114,-
SKK 1000, hot-dip galvanized	E	1027,-	263,-	1290,-
Lid, galvanized	E	186,-	22,-	208,-
Castor Set, polyamide, Load capacity 1050 kg / castor set	A	131,-	15,-	146,-
Castor Set, solid rubber, Load capacity 615 kg / castor set	E	99,-	15,-	114,-

Swarf Tilting Container Type SKM	Category	Price	Freight charges	Price including freight charges
SKM 30, painted	A	917,-	263,-	1180,-
Lid, galvanized	A	100,-	18,-	118,-
SKM 30, hot-dip galvanized	A	1109,-	263,-	1372,-
Lid, galvanized	A	100,-	18,-	118,-
SKM 50, painted	A	1178,-	263,-	1441,-
Lid, galvanized	A	152,-	28,-	180,-
SKM 50, hot-dip galvanized	A	1428,-	263,-	1691,-
Lid, galvanized	A	152,-	28,-	180,-
SKM 75, painted	A	1419,-	263,-	1682,-
Lid, galvanized	A	169,-	33,-	202,-
SKM 75, hot-dip galvanized	A	1729,-	366,-	2095,-
Lid, galvanized	A	169,-	33,-	202,-

Swarf Tipping Skip Type SKN	Category	Price	Freight charges	Price including freight charges
SKN 250, painted	E	515,-	184,-	699,-
Lid, galvanized	E	131,-	15,-	146,-

Prices in EUR, valid EXW DE-46354 Südlohn, DE-38820 Halberstadt, unpacked
 Freight charges valid CPT Great Britain, islands & the following post code areas excluded: IC, ZE

Price List 0424 en-GB

Forklift Truck Attachments



Swarf Tipping Skip Type SKN	Category	Price	Freight charges	Price including freight charges
Castor Set, polyamide, Load capacity 1050 kg / castor set	A	131,-	15,-	146,-
Castor Set, solid rubber, Load capacity 615 kg / castor set	E	99,-	15,-	114,-
SKN 250, hot-dip galvanized	E	563,-	184,-	747,-
Lid, galvanized	E	131,-	15,-	146,-
Castor Set, polyamide, Load capacity 1050 kg / castor set	A	131,-	15,-	146,-
Castor Set, solid rubber, Load capacity 615 kg / castor set	E	99,-	15,-	114,-
SKN 400, painted	E	579,-	184,-	763,-
Lid, galvanized	E	150,-	16,-	166,-
Castor Set, polyamide, Load capacity 1050 kg / castor set	A	131,-	15,-	146,-
Castor Set, solid rubber, Load capacity 615 kg / castor set	E	99,-	15,-	114,-
SKN 400, hot-dip galvanized	E	627,-	184,-	811,-
Lid, galvanized	E	150,-	16,-	166,-
Castor Set, polyamide, Load capacity 1050 kg / castor set	A	131,-	15,-	146,-
Castor Set, solid rubber, Load capacity 615 kg / castor set	E	99,-	15,-	114,-

Swarf Tipping Skip Type SKS	Category	Price	Freight charges	Price including freight charges
SKS 400, painted	E	914,-	263,-	1177,-
SKS 550, painted	E	978,-	263,-	1241,-
SKS 700, painted	E	1035,-	263,-	1298,-

Swarf Barrow Tipper Type SKW-ET	Category	Price	Freight charges	Price including freight charges
SKW-ET 250, painted	E	616,-	184,-	800,-
Lid, galvanized	E	131,-	15,-	146,-
SKW-ET 250, hot-dip galvanized	E	942,-	184,-	1126,-
Lid, galvanized	E	131,-	15,-	146,-
SKW-ET 400, painted	E	673,-	184,-	857,-
Lid, galvanized	E	150,-	16,-	166,-
SKW-ET 400, hot-dip galvanized	E	1034,-	184,-	1218,-
Lid, galvanized	E	150,-	16,-	166,-
SKW-ET 600, painted	E	822,-	263,-	1085,-
Lid, galvanized	E	167,-	20,-	187,-
SKW-ET 600, hot-dip galvanized	E	1191,-	263,-	1454,-
Lid, galvanized	E	167,-	20,-	187,-
SKW-ET 1000, painted	E	997,-	263,-	1260,-
Lid, galvanized	E	186,-	22,-	208,-
SKW-ET 1000, hot-dip galvanized	E	1587,-	263,-	1850,-
Lid, galvanized	E	186,-	22,-	208,-

Mini Swarf Tilting Container Type SMGU	Category	Price	Freight charges	Price including freight charges
SMGU 230, painted	A	665,-	184,-	849,-
Lid, galvanized	A	126,-	18,-	144,-
Castor Set, polyamide, Load capacity 1050 kg / castor set	A	150,-	15,-	165,-
SMGU 230, hot-dip galvanized	A	748,-	263,-	1011,-
Lid, galvanized	A	126,-	18,-	144,-
Castor Set, polyamide, Load capacity 1050 kg / castor set	A	150,-	15,-	165,-

Prices in EUR, valid EXW DE-46354 Südlohn, DE-38820 Halberstadt, unpacked
 Freight charges valid CPT Great Britain, islands & the following post code areas excluded: IC, ZE

Price List 0424 en-GB

Forklift Truck Attachments



Mini Swarf Tilting Container Type SMGU	Category	Price	Freight charges	Price including freight charges
SMGU 270, painted	A	718,-	263,-	981,-
Lid, galvanized	A	126,-	18,-	144,-
Castor Set, polyamide, Load capacity 1050 kg / castor set	A	150,-	15,-	165,-
SMGU 270, hot-dip galvanized	A	821,-	263,-	1084,-
Lid, galvanized	A	126,-	18,-	144,-
Castor Set, polyamide, Load capacity 1050 kg / castor set	A	150,-	15,-	165,-
SMGU 460, painted	A	903,-	263,-	1166,-
Lid, galvanized	A	163,-	22,-	185,-
Castor Set, polyamide, Load capacity 1050 kg / castor set	A	150,-	15,-	165,-
SMGU 460, hot-dip galvanized	A	1051,-	263,-	1314,-
Lid, galvanized	A	163,-	22,-	185,-
Castor Set, polyamide, Load capacity 1050 kg / castor set	A	150,-	15,-	165,-
SMGU 610, painted	A	1005,-	263,-	1268,-
Lid, galvanized	A	174,-	26,-	200,-
Castor Set, polyamide, Load capacity 1050 kg / castor set	A	150,-	15,-	165,-
SMGU 610, hot-dip galvanized	A	1168,-	263,-	1431,-
Lid, galvanized	A	174,-	26,-	200,-
Castor Set, polyamide, Load capacity 1050 kg / castor set	A	150,-	15,-	165,-

Silo Container Type SR	Category	Price	Freight charges	Price including freight charges
SR 375, painted	E	815,-	184,-	999,-
Lid, galvanized	E	126,-	33,-	159,-
SR 375, hot-dip galvanized	E	1530,-	184,-	1714,-
Lid, galvanized	E	126,-	33,-	159,-
SR 600, painted	E	1012,-	263,-	1275,-
Lid, galvanized	E	126,-	33,-	159,-
SR 600, hot-dip galvanized	E	1740,-	263,-	2003,-
Lid, galvanized	E	126,-	33,-	159,-

Silo Container Type SR-D	Category	Price	Freight charges	Price including freight charges
SR-D 375, painted	E	815,-	184,-	999,-
Lid, galvanized	E	126,-	33,-	159,-
SR-D 375, hot-dip galvanized	E	1530,-	184,-	1714,-
Lid, galvanized	E	126,-	33,-	159,-
SR-D 600, painted	E	1012,-	263,-	1275,-
Lid, galvanized	E	126,-	33,-	159,-
SR-D 600, hot-dip galvanized	E	1740,-	263,-	2003,-
Lid, galvanized	E	126,-	33,-	159,-

Silo Container Type SRE	Category	Price	Freight charges	Price including freight charges
SRE 375, painted	E	929,-	263,-	1192,-
Lid, galvanized	E	126,-	33,-	159,-
SRE 375, hot-dip galvanized	E	1664,-	263,-	1927,-
Lid, galvanized	E	126,-	33,-	159,-
SRE 600, painted	E	1131,-	263,-	1394,-

Prices in EUR, valid EXW DE-46354 Südlohn, DE-38820 Halberstadt, unpacked
 Freight charges valid CPT Great Britain, islands & the following post code areas excluded: IC, ZE

Price List 0424 en-GB

Forklift Truck Attachments



Silo Container Type SRE	Category	Price	Freight charges	Price including freight charges
Lid, galvanized	E	126,-	33,-	159,-
SRE 600, hot-dip galvanized	E	1794,-	263,-	2057,-
Lid, galvanized	E	126,-	33,-	159,-
Silo Container Type SRE-D	Category	Price	Freight charges	Price including freight charges
SRE-D 375, painted	E	929,-	184,-	1113,-
Lid, galvanized	E	126,-	33,-	159,-
SRE-D 375, hot-dip galvanized	E	1664,-	263,-	1927,-
Lid, galvanized	E	126,-	33,-	159,-
SRE-D 600, painted	E	1131,-	263,-	1394,-
Lid, galvanized	E	126,-	33,-	159,-
SRE-D 600, hot-dip galvanized	E	1794,-	263,-	2057,-
Lid, galvanized	E	126,-	33,-	159,-
Forklift Tender System Type STS	Category	Price	Freight charges	Price including freight charges
STS 2,5, painted	C	3726,-	on request	on request
STS 5,0, painted	C	4392,-	on request	on request
Spreader Type STW	Category	Price	Freight charges	Price including freight charges
STW 100, painted	A	1174,-	184,-	1358,-
Tarpaulin	A	112,-	10,-	122,-
STW 260, painted	A	2074,-	184,-	2258,-
Tarpaulin	A	117,-	10,-	127,-
Traverse for Big Bags Type TBB	Category	Price	Freight charges	Price including freight charges
TBB, painted	A	870,-	184,-	1054,-
Traverse For Big Bags Type TBB-E	Category	Price	Freight charges	Price including freight charges
TBB-E, painted	A	823,-	184,-	1007,-
Traverse For Big Bags Type TBB-W	Category	Price	Freight charges	Price including freight charges
TBB-W, painted	A	1056,-	184,-	1240,-
Mini Lifting Beam Type TM	Category	Price	Freight charges	Price including freight charges
TM 200-500, hot-dip galvanized	F	385,-	74,-	459,-
TM 400-800, hot-dip galvanized	F	414,-	74,-	488,-
TM 800-1200, hot-dip galvanized	F	546,-	74,-	620,-
Tilting Container Type TRIO	Category	Price	Freight charges	Price including freight charges
TRIO, painted	A	2254,-	439,-	2693,-
Lid, galvanized	A	207,-	26,-	233,-
Castor Set, polyamide, Load capacity 1350 kg / castor set	A	185,-	15,-	200,-
Set of 5 self-adhesive stickers with symbols for: glass, paper, plastic, metal, residual waste	A	28,-	on request	on request

Prices in EUR, valid EXW DE-46354 Südlohn, DE-38820 Halberstadt, unpacked
 Freight charges valid CPT Great Britain, islands & the following post code areas excluded: IC, ZE

Price List 0424 en-GB

Forklift Truck Attachments



Universal Container Type UC	Category	Price	Freight charges	Price including freight charges
UC 500, painted	A	652,-	184,-	836,-
Lid, galvanized	A	162,-	16,-	178,-
Castor Set, polyamide, Load capacity 1350 kg / castor set	A	185,-	15,-	200,-
Pick-up Profile on Type UC for Traverse Type UCT	A	102,-	0,-	102,-
UC 500, hot-dip galvanized	A	744,-	263,-	1007,-
Lid, galvanized	A	162,-	16,-	178,-
Castor Set, polyamide, Load capacity 1350 kg / castor set	A	185,-	15,-	200,-
Pick-up Profile on Type UC for Traverse Type UCT	A	102,-	0,-	102,-
UC 750, painted	A	709,-	263,-	972,-
Lid, galvanized	A	162,-	16,-	178,-
Castor Set, polyamide, Load capacity 1350 kg / castor set	A	185,-	15,-	200,-
Pick-up Profile on Type UC for Traverse Type UCT	A	102,-	0,-	102,-
UC 750, hot-dip galvanized	A	824,-	263,-	1087,-
Lid, galvanized	A	162,-	16,-	178,-
Castor Set, polyamide, Load capacity 1350 kg / castor set	A	185,-	15,-	200,-
Pick-up Profile on Type UC for Traverse Type UCT	A	102,-	0,-	102,-
UC 1000, painted	A	744,-	263,-	1007,-
Lid, galvanized	A	162,-	16,-	178,-
Castor Set, polyamide, Load capacity 1350 kg / castor set	A	185,-	15,-	200,-
Pick-up Profile on Type UC for Traverse Type UCT	A	102,-	0,-	102,-
UC 1000, hot-dip galvanized	A	863,-	263,-	1126,-
Lid, galvanized	A	162,-	16,-	178,-
Castor Set, polyamide, Load capacity 1350 kg / castor set	A	185,-	15,-	200,-
Pick-up Profile on Type UC for Traverse Type UCT	A	102,-	0,-	102,-
Hydraulic Traverse Type UCT	Category	Price	Freight charges	Price including freight charges
UCT, painted	A	2644,-	366,-	3010,-
Tilting Container Type VD	Category	Price	Freight charges	Price including freight charges
VD 500, painted	A	767,-	263,-	1030,-
Lid, galvanized	A	139,-	18,-	157,-
Castor Set, polyamide, Load capacity 1350 kg / castor set	A	185,-	15,-	200,-
Skip Body Welded Oil and Watertight	A	75,-	0,-	75,-
VD 500, hot-dip galvanized	A	998,-	263,-	1261,-
Lid, galvanized	A	139,-	18,-	157,-
Castor Set, polyamide, Load capacity 1350 kg / castor set	A	185,-	15,-	200,-
Skip Body Welded Oil and Watertight	A	75,-	0,-	75,-
VD 650, painted	A	838,-	263,-	1101,-
Lid, galvanized	A	139,-	18,-	157,-
Castor Set, polyamide, Load capacity 1350 kg / castor set	A	185,-	15,-	200,-
Skip Body Welded Oil and Watertight	A	75,-	0,-	75,-
VD 650, hot-dip galvanized	A	1091,-	263,-	1354,-
Lid, galvanized	A	139,-	18,-	157,-
Castor Set, polyamide, Load capacity 1350 kg / castor set	A	185,-	15,-	200,-
Skip Body Welded Oil and Watertight	A	75,-	0,-	75,-

Prices in EUR, valid EXW DE-46354 Südlohn, DE-38820 Halberstadt, unpacked
 Freight charges valid CPT Great Britain, islands & the following post code areas excluded: IC, ZE

Price List 0424 en-GB

Forklift Truck Attachments



Tilting Container Type VD	Category	Price	Freight charges	Price including freight charges
VD 800, painted	A	957,-	263,-	1220,-
Lid, galvanized	A	168,-	22,-	190,-
Castor Set, polyamide, Load capacity 1350 kg / castor set	A	185,-	15,-	200,-
Skip Body Welded Oil and Watertight	A	75,-	0,-	75,-
VD 800, hot-dip galvanized	A	1300,-	263,-	1563,-
Lid, galvanized	A	168,-	22,-	190,-
Castor Set, polyamide, Load capacity 1350 kg / castor set	A	185,-	15,-	200,-
Skip Body Welded Oil and Watertight	A	75,-	0,-	75,-
VD 1000, painted	A	1005,-	263,-	1268,-
Lid, galvanized	A	168,-	22,-	190,-
Castor Set, polyamide, Load capacity 1350 kg / castor set	A	185,-	15,-	200,-
Skip Body Welded Oil and Watertight	A	116,-	0,-	116,-
VD 1000, hot-dip galvanized	A	1419,-	263,-	1682,-
Lid, galvanized	A	168,-	22,-	190,-
Castor Set, polyamide, Load capacity 1350 kg / castor set	A	185,-	15,-	200,-
Skip Body Welded Oil and Watertight	A	116,-	0,-	116,-

Tilting Container Type VG	Category	Price	Freight charges	Price including freight charges
VG 550, painted	A	784,-	263,-	1047,-
Lid, galvanized	A	139,-	18,-	157,-
Castor Set, polyamide, Load capacity 1350 kg / castor set	A	185,-	15,-	200,-
Skip Body Welded Oil and Watertight	A	75,-	0,-	75,-
VG 550, hot-dip galvanized	A	1022,-	263,-	1285,-
Lid, galvanized	A	139,-	18,-	157,-
Castor Set, polyamide, Load capacity 1350 kg / castor set	A	185,-	15,-	200,-
Skip Body Welded Oil and Watertight	A	75,-	0,-	75,-
VG 700, painted	A	929,-	263,-	1192,-
Lid, galvanized	A	139,-	18,-	157,-
Castor Set, polyamide, Load capacity 1350 kg / castor set	A	185,-	15,-	200,-
Skip Body Welded Oil and Watertight	A	75,-	0,-	75,-
VG 700, hot-dip galvanized	A	1209,-	263,-	1472,-
Lid, galvanized	A	139,-	18,-	157,-
Castor Set, polyamide, Load capacity 1350 kg / castor set	A	185,-	15,-	200,-
Skip Body Welded Oil and Watertight	A	75,-	0,-	75,-
VG 900, painted	A	1024,-	263,-	1287,-
Lid, galvanized	A	168,-	22,-	190,-
Castor Set, polyamide, Load capacity 1350 kg / castor set	A	185,-	15,-	200,-
Skip Body Welded Oil and Watertight	A	75,-	0,-	75,-
VG 900, hot-dip galvanized	A	1451,-	263,-	1714,-
Lid, galvanized	A	168,-	22,-	190,-
Castor Set, polyamide, Load capacity 1350 kg / castor set	A	185,-	15,-	200,-
Skip Body Welded Oil and Watertight	A	75,-	0,-	75,-
VG 1100, painted	A	1111,-	263,-	1374,-
Lid, galvanized	A	168,-	22,-	190,-
Castor Set, polyamide, Load capacity 1350 kg / castor set	A	185,-	15,-	200,-
Skip Body Welded Oil and Watertight	A	116,-	0,-	116,-

Prices in EUR, valid EXW DE-46354 Südlohn, DE-38820 Halberstadt, unpacked
 Freight charges valid CPT Great Britain, islands & the following post code areas excluded: IC, ZE

Price List 0424 en-GB

Forklift Truck Attachments



Tilting Container Type VG	Category	Price	Freight charges	Price including freight charges
VG 1100, hot-dip galvanized	A	1508,-	263,-	1771,-
Lid, galvanized	A	168,-	22,-	190,-
Castor Set, polyamide, Load capacity 1350 kg / castor set	A	185,-	15,-	200,-
Skip Body Welded Oil and Watertight	A	116,-	0,-	116,-

Prices in EUR, valid EXW DE-46354 Südlohn, DE-38820 Halberstadt, unpacked
 Freight charges valid CPT Great Britain, islands & the following post code areas excluded: IC, ZE

Prijislist 0424 en-GB

Workspace Material Handling

Battery Charging Station Type BL	Category	Price	Freight charges	Price including freight charges
BL 1, painted	A	1373,-	184,-	1557,-
Fire Extinguisher	A	197,-	14,-	211,-
Fixture for water receptacle	A	61,-	13,-	74,-
BL 2, painted	A	1737,-	184,-	1921,-
Fire Extinguisher	A	197,-	14,-	211,-
Fixture for water receptacle	A	61,-	13,-	74,-
BL 3, painted	A	1737,-	184,-	1921,-
Fire Extinguisher	A	197,-	14,-	211,-
Fixture for water receptacle	A	61,-	13,-	74,-
Drum Jack Roller Type FHR	Category	Price	Freight charges	Price including freight charges
FHR 600 F, painted	B	3174,-	366,-	3540,-
FHR 600 F, hot-dip galvanized	B	3517,-	366,-	3883,-
FHR 600 G, painted	B	2528,-	263,-	2791,-
FHR 600 G, hot-dip galvanized	B	2790,-	263,-	3053,-
FHR 600 K, painted	B	2528,-	263,-	2791,-
FHR 600 K, hot-dip galvanized	B	2790,-	263,-	3053,-
Drum Trolley Type FP-L	Category	Price	Freight charges	Price including freight charges
FP-L, galvanized	C	602,-	184,-	786,-
Drum Trolley Type FP-V	Category	Price	Freight charges	Price including freight charges
FP-V, galvanized	C	584,-	184,-	768,-
Drum Dolly Type FRW	Category	Price	Freight charges	Price including freight charges
FRW-I, hot-dip galvanized	A	112,-	74,-	186,-
FRW-II, hot-dip galvanized	A	148,-	74,-	222,-
FRW-III, hot-dip galvanized	A	200,-	184,-	384,-
Dolly Type GRW	Category	Price	Freight charges	Price including freight charges
GRW-I, hot-dip galvanized	F	121,-	74,-	195,-
Handle, galvanized	F	53,-	10,-	63,-
GRW-II, hot-dip galvanized	F	138,-	74,-	212,-
Handle, galvanized	F	53,-	10,-	63,-
GRW-III, hot-dip galvanized	F	172,-	184,-	356,-
Handle, galvanized	F	53,-	10,-	63,-
Gas Cylinder Wall Bracket Type GWH	Category	Price	Freight charges	Price including freight charges
GWH 140-I, hot-dip galvanized	F	25,-	74,-	99,-
GWH 140-II, hot-dip galvanized	F	38,-	74,-	112,-

Prices in EUR, valid EXW DE-46354 Südlohn, DE-38820 Halberstadt, unpacked
 Freight charges valid CPT Great Britain, islands & the following post code areas excluded: IC, ZE

Price List 0424 en-GB

Workspace Material Handling



Gas Cylinder Wall Bracket Type GWH	Category	Price	Freight charges	Price including freight charges
GWH 140-III, hot-dip galvanized	F	57,-	74,-	131,-
GWH 230-I, hot-dip galvanized	F	27,-	74,-	101,-
GWH 230-II, hot-dip galvanized	F	41,-	74,-	115,-
GWH 230-III, hot-dip galvanized	F	62,-	74,-	136,-
GWH 320-I, hot-dip galvanized	F	28,-	74,-	102,-
GWH 320-II, hot-dip galvanized	F	46,-	74,-	120,-
GWH 320-III, hot-dip galvanized	F	69,-	74,-	143,-
Fork Lifter Type GZH-A	Category	Price	Freight charges	Price including freight charges
GZH-A, painted	F	110,-	74,-	184,-
Fork Lifter Type GZH-B	Category	Price	Freight charges	Price including freight charges
GZH-B, painted	F	110,-	74,-	184,-
Fork Pallet Type GZP	Category	Price	Freight charges	Price including freight charges
GZP 4, hot-dip galvanized	A	155,-	184,-	339,-
GZP 8, hot-dip galvanized	A	194,-	184,-	378,-
IBC Residue Drainer Type IR	Category	Price	Freight charges	Price including freight charges
IR-1, hot-dip galvanized	A	575,-	184,-	759,-
IR-2, hot-dip galvanized	A	686,-	184,-	870,-
Tilting Canister Stand Type KAH	Category	Price	Freight charges	Price including freight charges
KAH-5, galvanized	A	92,-	74,-	166,-
KAH-25, galvanized	A	105,-	74,-	179,-
KAH-60, galvanized	A	135,-	74,-	209,-
Sheet Metal Storage Units With Trays Type KBR	Category	Price	Freight charges	Price including freight charges
KBR 1, painted	A	5782,-	924,-	6706,-
KBR 2, painted	A	5997,-	on request	on request
KBR 3, painted	A	6441,-	on request	on request
Liftomat Type L/E	Category	Price	Freight charges	Price including freight charges
L/E 1300, painted	B	4742,-	366,-	5108,-
L/E 1300, hot-dip galvanized	B	5389,-	366,-	5755,-
Liftomat Type L/M	Category	Price	Freight charges	Price including freight charges
L/M 600, painted	B	3432,-	263,-	3695,-
L/M 600, hot-dip galvanized	B	3888,-	263,-	4151,-
L/M 1300, painted	B	3851,-	366,-	4217,-
L/M 1300, hot-dip galvanized	B	4414,-	366,-	4780,-
Security Cage for Storage Type LBM	Category	Price	Freight charges	Price including freight charges
LBM 1500, hot-dip galvanized	A	1934,-	366,-	2300,-

Prices in EUR, valid EXW DE-46354 Südlohn, DE-38820 Halberstadt, unpacked
 Freight charges valid CPT Great Britain, islands & the following post code areas excluded: IC, ZE

Price List 0424 en-GB

Workspace Material Handling



Security Cage for Storage Type LBM	Category	Price	Freight charges	Price including freight charges
LBM 3000, hot-dip galvanized	A	2654,-	596,-	3250,-
LBM 4500, hot-dip galvanized	A	3373,-	596,-	3969,-
LBM 6000, hot-dip galvanized	A	4088,-	755,-	4843,-
Wheelie Bin Tipping Station Type MKS	Category	Price	Freight charges	Price including freight charges
MKS-12V, painted	A	3618,-	263,-	3881,-
External Charger for 12 V electro-hydraulic constructions	A	194,-	15,-	209,-
MKS-230V, painted	A	3618,-	263,-	3881,-
Wheelie Bin Tipping Station Type MKS-F	Category	Price	Freight charges	Price including freight charges
MKS-F, painted	A	2375,-	263,-	2638,-
Wheelie Bin Tipping Station Type MKS-H	Category	Price	Freight charges	Price including freight charges
MKS-H, painted	A	2375,-	263,-	2638,-
Stillage Transport Cage Type MTP	Category	Price	Freight charges	Price including freight charges
MTP 2000, hot-dip galvanized	A	2121,-	366,-	2487,-
Tension belt	A	46,-	8,-	54,-
MTP 3000, hot-dip galvanized	A	2680,-	439,-	3119,-
Tension belt	A	46,-	8,-	54,-
Two-Wheeled Pallet Picker Type PZ	Category	Price	Freight charges	Price including freight charges
PZ, hot-dip galvanized	F	440,-	74,-	514,-
Tyre Fitting Equipment Type RM	Category	Price	Freight charges	Price including freight charges
RM, painted	F	442,-	74,-	516,-
Surround for Waste Bins Type SECOMAT	Category	Price	Freight charges	Price including freight charges
S 120-D, powder coated	B	626,-	184,-	810,-
S 120-K, powder coated	B	702,-	184,-	886,-
S 240-D, powder coated	B	719,-	184,-	903,-
S 240-K, powder coated	B	787,-	184,-	971,-
S1100, powder-coated	B	727,-	184,-	911,-
S1100-W, powder-coated	B	956,-	263,-	1219,-
S1100-WT, powder-coated	B	1200,-	263,-	1463,-
S1100-WTB, powder-coated	B	1295,-	263,-	1558,-
S4USE, powder coated	C	2138,-	366,-	2504,-
Gas Cylinder Pallet Type SFP	Category	Price	Freight charges	Price including freight charges
SFP 4, hot-dip galvanized	C	334,-	184,-	518,-
SFP 8, hot-dip galvanized	C	444,-	184,-	628,-
Loading Support Type VS	Category	Price	Freight charges	Price including freight charges
VS, painted	C	739,-	263,-	1002,-

Prices in EUR, valid EXW DE-46354 Südlohn, DE-38820 Halberstadt, unpacked
 Freight charges valid CPT Great Britain, islands & the following post code areas excluded: IC, ZE

Prijislist 0424 en-GB Environment / Storage

Sump Trays Type SERIES 2000	Category	Price	Freight charges	Price including freight charges
2000, painted	B	241,-	184,-	425,-
2001, hot-dip galvanized	B	278,-	184,-	462,-
2002, painted	B	275,-	184,-	459,-
2003, hot-dip galvanized	B	311,-	184,-	495,-
2008, painted	B	241,-	184,-	425,-
2009, hot-dip galvanized	B	289,-	184,-	473,-
2010, painted	B	290,-	184,-	474,-
Drum Support FA 60-1, hot-dip galvanized	B	105,-	15,-	120,-
Drum Support FA 60-2, hot-dip galvanized	B	114,-	18,-	132,-
Drum Support FA 60-3, hot-dip galvanized	B	133,-	21,-	154,-
Drum Support FA 200-1, hot-dip galvanized	B	114,-	15,-	129,-
Can Shelf Type GR-A, galvanized	B	133,-	39,-	172,-
Can Shelf Type GR-B, galvanized	B	133,-	39,-	172,-
Can Shelf Type GR-C, galvanized	B	133,-	39,-	172,-
2011, hot-dip galvanized	B	339,-	184,-	523,-
Drum Support FA 60-1, hot-dip galvanized	B	105,-	15,-	120,-
Drum Support FA 60-2, hot-dip galvanized	B	114,-	18,-	132,-
Drum Support FA 60-3, hot-dip galvanized	B	133,-	21,-	154,-
Drum Support FA 200-1, hot-dip galvanized	B	114,-	15,-	129,-
Can Shelf Type GR-A, galvanized	B	133,-	39,-	172,-
Can Shelf Type GR-B, galvanized	B	133,-	39,-	172,-
Can Shelf Type GR-C, galvanized	B	133,-	39,-	172,-
2016, painted	B	253,-	184,-	437,-
2017, hot-dip galvanized	B	303,-	184,-	487,-
2018, painted	B	304,-	184,-	488,-
Drum Support FA 60-1, hot-dip galvanized	B	105,-	15,-	120,-
Drum Support FA 60-2, hot-dip galvanized	B	114,-	18,-	132,-
Drum Support FA 60-3, hot-dip galvanized	B	133,-	21,-	154,-
Drum Support FA 200-1, hot-dip galvanized	B	114,-	15,-	129,-
Can Shelf Type GR-A, galvanized	B	133,-	39,-	172,-
Can Shelf Type GR-B, galvanized	B	133,-	39,-	172,-
Can Shelf Type GR-C, galvanized	B	133,-	39,-	172,-
2019, hot-dip galvanized	B	352,-	184,-	536,-
Drum Support FA 60-1, hot-dip galvanized	B	105,-	15,-	120,-
Drum Support FA 60-2, hot-dip galvanized	B	114,-	18,-	132,-
Drum Support FA 60-3, hot-dip galvanized	B	133,-	21,-	154,-
Drum Support FA 200-1, hot-dip galvanized	B	114,-	15,-	129,-
Can Shelf Type GR-A, galvanized	B	133,-	39,-	172,-
Can Shelf Type GR-B, galvanized	B	133,-	39,-	172,-
Can Shelf Type GR-C, galvanized	B	133,-	39,-	172,-
2026, painted	B	253,-	184,-	437,-
2027, hot-dip galvanized	B	299,-	184,-	483,-

Prices in EUR, valid EXW DE-46354 Südlohn, DE-38820 Halberstadt, unpacked
Freight charges valid CPT Great Britain, islands & the following post code areas excluded: IC, ZE

Price List 0424 en-GB

Environment / Storage



Sump Trays Type SERIES 2000	Category	Price	Freight charges	Price including freight charges
2028, painted	B	353,-	184,-	537,-
Drum Support FA 60-1, hot-dip galvanized	B	105,-	15,-	120,-
Drum Support FA 60-2, hot-dip galvanized	B	114,-	18,-	132,-
Drum Support FA 60-3, hot-dip galvanized	B	133,-	21,-	154,-
Drum Support FA 200-1, hot-dip galvanized	B	114,-	15,-	129,-
Drum Support FA 200-2, hot-dip galvanized	B	133,-	22,-	155,-
Can Shelf Type GR-A, galvanized	B	133,-	39,-	172,-
Can Shelf Type GR-B, galvanized	B	133,-	39,-	172,-
Can Shelf Type GR-C, galvanized	B	133,-	39,-	172,-
2029, hot-dip galvanized	B	398,-	184,-	582,-
Drum Support FA 60-1, hot-dip galvanized	B	105,-	15,-	120,-
Drum Support FA 60-2, hot-dip galvanized	B	114,-	18,-	132,-
Drum Support FA 60-3, hot-dip galvanized	B	133,-	21,-	154,-
Drum Support FA 200-1, hot-dip galvanized	B	114,-	15,-	129,-
Drum Support FA 200-2, hot-dip galvanized	B	133,-	22,-	155,-
Can Shelf Type GR-A, galvanized	B	133,-	39,-	172,-
Can Shelf Type GR-B, galvanized	B	133,-	39,-	172,-
Can Shelf Type GR-C, galvanized	B	133,-	39,-	172,-
2030, painted	B	265,-	184,-	449,-
2031, hot-dip galvanized	B	310,-	184,-	494,-
2032, painted	B	365,-	184,-	549,-
Drum Support FA 60-1, hot-dip galvanized	B	105,-	15,-	120,-
Drum Support FA 60-2, hot-dip galvanized	B	114,-	18,-	132,-
Drum Support FA 60-3, hot-dip galvanized	B	133,-	21,-	154,-
Drum Support FA 200-1, hot-dip galvanized	B	114,-	15,-	129,-
Drum Support FA 200-2, hot-dip galvanized	B	133,-	22,-	155,-
Can Shelf Type GR-A, galvanized	B	133,-	39,-	172,-
Can Shelf Type GR-B, galvanized	B	133,-	39,-	172,-
Can Shelf Type GR-C, galvanized	B	133,-	39,-	172,-
2033, hot-dip galvanized	B	411,-	184,-	595,-
Drum Support FA 60-1, hot-dip galvanized	B	105,-	15,-	120,-
Drum Support FA 60-2, hot-dip galvanized	B	114,-	18,-	132,-
Drum Support FA 60-3, hot-dip galvanized	B	133,-	21,-	154,-
Drum Support FA 200-1, hot-dip galvanized	B	114,-	15,-	129,-
Drum Support FA 200-2, hot-dip galvanized	B	133,-	22,-	155,-
Can Shelf Type GR-A, galvanized	B	133,-	39,-	172,-
Can Shelf Type GR-B, galvanized	B	133,-	39,-	172,-
Can Shelf Type GR-C, galvanized	B	133,-	39,-	172,-
2040, painted	B	339,-	184,-	523,-
2041, hot-dip galvanized	B	411,-	184,-	595,-
2042, painted	B	439,-	263,-	702,-
Drum Support FA 60-1, hot-dip galvanized	B	105,-	15,-	120,-
Drum Support FA 60-2, hot-dip galvanized	B	114,-	18,-	132,-
Drum Support FA 60-3, hot-dip galvanized	B	133,-	21,-	154,-
Can Shelf Type GR-A, galvanized	B	133,-	39,-	172,-
Can Shelf Type GR-B, galvanized	B	133,-	39,-	172,-

Prices in EUR, valid EXW DE-46354 Südlohn, DE-38820 Halberstadt, unpacked
 Freight charges valid CPT Great Britain, islands & the following post code areas excluded: IC, ZE

Price List 0424 en-GB

Environment / Storage



Sump Trays Type SERIES 2000	Category	Price	Freight charges	Price including freight charges
Can Shelf Type GR-C, galvanized	B	133,-	39,-	172,-
2043, hot-dip galvanized	B	511,-	263,-	774,-
Drum Support FA 60-1, hot-dip galvanized	B	105,-	15,-	120,-
Drum Support FA 60-2, hot-dip galvanized	B	114,-	18,-	132,-
Drum Support FA 60-3, hot-dip galvanized	B	133,-	21,-	154,-
Can Shelf Type GR-A, galvanized	B	133,-	39,-	172,-
Can Shelf Type GR-B, galvanized	B	133,-	39,-	172,-
Can Shelf Type GR-C, galvanized	B	133,-	39,-	172,-
2048, painted	B	261,-	184,-	445,-
2049, hot-dip galvanized	B	305,-	184,-	489,-
2050, painted	B	356,-	184,-	540,-
Drum Support FA 60-1, hot-dip galvanized	B	105,-	15,-	120,-
Drum Support FA 60-2, hot-dip galvanized	B	114,-	18,-	132,-
Drum Support FA 60-3, hot-dip galvanized	B	133,-	21,-	154,-
Can Shelf Type GR-A, galvanized	B	133,-	39,-	172,-
Can Shelf Type GR-B, galvanized	B	133,-	39,-	172,-
Can Shelf Type GR-C, galvanized	B	133,-	39,-	172,-
2051, hot-dip galvanized	B	400,-	184,-	584,-
Drum Support FA 60-1, hot-dip galvanized	B	105,-	15,-	120,-
Drum Support FA 60-2, hot-dip galvanized	B	114,-	18,-	132,-
Drum Support FA 60-3, hot-dip galvanized	B	133,-	21,-	154,-
Can Shelf Type GR-A, galvanized	B	133,-	39,-	172,-
Can Shelf Type GR-B, galvanized	B	133,-	39,-	172,-
Can Shelf Type GR-C, galvanized	B	133,-	39,-	172,-
Sump Trays Type SERIES 2000/SW	Category	Price	Freight charges	Price including freight charges
2002/SW, painted	B	412,-	184,-	596,-
2003/SW, hot-dip galvanized	B	448,-	184,-	632,-
2018/SW, painted	B	452,-	263,-	715,-
Drum Support FA 60-1, hot-dip galvanized	B	105,-	15,-	120,-
Drum Support FA 60-2, hot-dip galvanized	B	114,-	18,-	132,-
Drum Support FA 60-3, hot-dip galvanized	B	133,-	21,-	154,-
Drum Support FA 200-1, hot-dip galvanized	B	114,-	15,-	129,-
Can Shelf Type GR-A, galvanized	B	133,-	39,-	172,-
Can Shelf Type GR-B, galvanized	B	133,-	39,-	172,-
Can Shelf Type GR-C, galvanized	B	133,-	39,-	172,-
2019/SW, hot-dip galvanized	B	499,-	263,-	762,-
Drum Support FA 60-1, hot-dip galvanized	B	105,-	15,-	120,-
Drum Support FA 60-2, hot-dip galvanized	B	114,-	18,-	132,-
Drum Support FA 60-3, hot-dip galvanized	B	133,-	21,-	154,-
Drum Support FA 200-1, hot-dip galvanized	B	114,-	15,-	129,-
Can Shelf Type GR-A, galvanized	B	133,-	39,-	172,-
Can Shelf Type GR-B, galvanized	B	133,-	39,-	172,-
Can Shelf Type GR-C, galvanized	B	133,-	39,-	172,-
2032/SW, painted	B	533,-	263,-	796,-
Drum Support FA 60-1, hot-dip galvanized	B	105,-	15,-	120,-

Prices in EUR, valid EXW DE-46354 Südlohn, DE-38820 Halberstadt, unpacked
 Freight charges valid CPT Great Britain, islands & the following post code areas excluded: IC, ZE

Price List 0424 en-GB

Environment / Storage



Sump Trays Type SERIES 2000/SW	Category	Price	Freight charges	Price including freight charges
Drum Support FA 60-2, hot-dip galvanized	B	114,-	18,-	132,-
Drum Support FA 60-3, hot-dip galvanized	B	133,-	21,-	154,-
Drum Support FA 200-1, hot-dip galvanized	B	114,-	15,-	129,-
Drum Support FA 200-2, hot-dip galvanized	B	133,-	22,-	155,-
Can Shelf Type GR-A, galvanized	B	133,-	39,-	172,-
Can Shelf Type GR-B, galvanized	B	133,-	39,-	172,-
Can Shelf Type GR-C, galvanized	B	133,-	39,-	172,-
2033/SW, hot-dip galvanized	B	579,-	263,-	842,-
Drum Support FA 60-1, hot-dip galvanized	B	105,-	15,-	120,-
Drum Support FA 60-2, hot-dip galvanized	B	114,-	18,-	132,-
Drum Support FA 60-3, hot-dip galvanized	B	133,-	21,-	154,-
Drum Support FA 200-1, hot-dip galvanized	B	114,-	15,-	129,-
Drum Support FA 200-2, hot-dip galvanized	B	133,-	22,-	155,-
Can Shelf Type GR-A, galvanized	B	133,-	39,-	172,-
Can Shelf Type GR-B, galvanized	B	133,-	39,-	172,-
Can Shelf Type GR-C, galvanized	B	133,-	39,-	172,-
2042/SW, painted	B	661,-	313,-	974,-
Drum Support FA 60-1, hot-dip galvanized	B	105,-	15,-	120,-
Drum Support FA 60-2, hot-dip galvanized	B	114,-	18,-	132,-
Drum Support FA 60-3, hot-dip galvanized	B	133,-	21,-	154,-
Can Shelf Type GR-A, galvanized	B	133,-	39,-	172,-
Can Shelf Type GR-B, galvanized	B	133,-	39,-	172,-
Can Shelf Type GR-C, galvanized	B	133,-	39,-	172,-
2043/SW, hot-dip galvanized	B	734,-	313,-	1047,-
Drum Support FA 60-1, hot-dip galvanized	B	105,-	15,-	120,-
Drum Support FA 60-2, hot-dip galvanized	B	114,-	18,-	132,-
Drum Support FA 60-3, hot-dip galvanized	B	133,-	21,-	154,-
Can Shelf Type GR-A, galvanized	B	133,-	39,-	172,-
Can Shelf Type GR-B, galvanized	B	133,-	39,-	172,-
Can Shelf Type GR-C, galvanized	B	133,-	39,-	172,-
Mobile Sump Trays Type SERIES 2000	Category	Price	Freight charges	Price including freight charges
2004, painted	B	570,-	184,-	754,-
Fixture and Tension Belt for 1 x 200 Litre Drum	B	46,-	9,-	55,-
2005, hot-dip galvanized	B	634,-	184,-	818,-
Fixture and Tension Belt for 1 x 200 Litre Drum	B	46,-	9,-	55,-
2020, painted	B	633,-	184,-	817,-
Fixture and Tension Belt for 2 x 200 Litre Drums	B	46,-	9,-	55,-
2021, hot-dip galvanized	B	692,-	184,-	876,-
Fixture and Tension Belt for 2 x 200 Litre Drums	B	46,-	9,-	55,-
2050 SR, painted	B	685,-	184,-	869,-
Fixture and Tension Belt for 3 x 200 Litre Drums	B	46,-	9,-	55,-
2051 SR, hot-dip galvanized	B	740,-	263,-	1003,-
Fixture and Tension Belt for 3 x 200 Litre Drums	B	46,-	9,-	55,-

Prices in EUR, valid EXW DE-46354 Südlohn, DE-38820 Halberstadt, unpacked
 Freight charges valid CPT Great Britain, islands & the following post code areas excluded: IC, ZE

Price List 0424 en-GB

Environment / Storage



Drum Shelves with Sump Trays Type SERIES 3000	Category	Price	Freight charges	Price including freight charges
3000, hot-dip galvanized	B	1054,-	263,-	1317,-
Retainer Bar	B	46,-	12,-	58,-
Rotating Support RA 200, hot-dip galvanized	B	93,-	10,-	103,-
Can Stand Type GS, hot-dip galvanized	B	62,-	18,-	80,-
Crash Guard	B	54,-	9,-	63,-
3001, hot-dip galvanized	B	887,-	263,-	1150,-
Retainer Bar	B	46,-	12,-	58,-
Rotating Support RA 200, hot-dip galvanized	B	93,-	10,-	103,-
Can Stand Type GS, hot-dip galvanized	B	62,-	18,-	80,-
Crash Guard	B	54,-	9,-	63,-
3002, hot-dip galvanized	B	1255,-	313,-	1568,-
Retainer Bar	B	46,-	12,-	58,-
Rotating Support RA 200, hot-dip galvanized	B	93,-	10,-	103,-
Can Stand Type GS, hot-dip galvanized	B	62,-	18,-	80,-
Crash Guard	B	54,-	9,-	63,-
3003, hot-dip galvanized	B	1063,-	313,-	1376,-
Retainer Bar	B	46,-	12,-	58,-
Rotating Support RA 200, hot-dip galvanized	B	93,-	10,-	103,-
Can Stand Type GS, hot-dip galvanized	B	62,-	18,-	80,-
Crash Guard	B	54,-	9,-	63,-
3004, hot-dip galvanized	B	1298,-	263,-	1561,-
Retainer Bar	B	46,-	12,-	58,-
Rotating Support RA 60, hot-dip galvanized	B	93,-	9,-	102,-
Can Stand Type GS, hot-dip galvanized	B	62,-	18,-	80,-
Crash Guard	B	54,-	9,-	63,-
3005, hot-dip galvanized	B	1174,-	263,-	1437,-
Retainer Bar	B	46,-	12,-	58,-
Rotating Support RA 60, hot-dip galvanized	B	93,-	9,-	102,-
Can Stand Type GS, hot-dip galvanized	B	62,-	18,-	80,-
Crash Guard	B	54,-	9,-	63,-
3006, hot-dip galvanized	B	1639,-	416,-	2055,-
Retainer Bar	B	46,-	12,-	58,-
Rotating Support RA 60, hot-dip galvanized	B	93,-	9,-	102,-
Can Stand Type GS, hot-dip galvanized	B	62,-	18,-	80,-
Crash Guard	B	54,-	9,-	63,-
3007, hot-dip galvanized	B	1400,-	313,-	1713,-
Retainer Bar	B	46,-	12,-	58,-
Rotating Support RA 60, hot-dip galvanized	B	93,-	9,-	102,-
Can Stand Type GS, hot-dip galvanized	B	62,-	18,-	80,-
Crash Guard	B	54,-	9,-	63,-
3010, hot-dip galvanized	B	1244,-	313,-	1557,-
Retainer Bar	B	46,-	12,-	58,-
Rotating Support RA 200, hot-dip galvanized	B	93,-	10,-	103,-
Can Stand Type GS, hot-dip galvanized	B	62,-	18,-	80,-
Crash Guard	B	54,-	9,-	63,-
3011, hot-dip galvanized	B	1034,-	313,-	1347,-

Prices in EUR, valid EXW DE-46354 Südlohn, DE-38820 Halberstadt, unpacked
 Freight charges valid CPT Great Britain, islands & the following post code areas excluded: IC, ZE

Price List 0424 en-GB

Environment / Storage



Drum Shelves with Sump Trays Type SERIES 3000	Category	Price	Freight charges	Price including freight charges
Retainer Bar	B	46,-	12,-	58,-
Rotating Support RA 200, hot-dip galvanized	B	93,-	10,-	103,-
Can Stand Type GS, hot-dip galvanized	B	62,-	18,-	80,-
Crash Guard	B	54,-	9,-	63,-

Small Can Shelves with Sumps Type SERIES 3000	Category	Price	Freight charges	Price including freight charges
3017-4E, galvanized	B	461,-	184,-	645,-
Grid Storage Level, hot dip-galvanized	B	59,-	10,-	69,-
Spill Tray, galvanized	B	96,-	10,-	106,-
Storage level for Drum Shelves	B	33,-	9,-	42,-
3018-4E, galvanized	B	383,-	184,-	567,-
Grid Storage Level, hot dip-galvanized	B	59,-	10,-	69,-
Spill Tray, galvanized	B	96,-	10,-	106,-
Storage level for Drum Shelves	B	33,-	9,-	42,-
3019-4E, galvanized	B	556,-	263,-	819,-
Grid Storage Level, hot dip-galvanized	B	59,-	10,-	69,-
Spill Tray, galvanized	B	96,-	10,-	106,-
Storage level for Drum Shelves	B	33,-	9,-	42,-
3020-4E, galvanized	B	476,-	263,-	739,-
Grid Storage Level, hot dip-galvanized	B	59,-	10,-	69,-
Spill Tray, galvanized	B	96,-	10,-	106,-
Storage level for Drum Shelves	B	33,-	9,-	42,-
3021-4E, galvanized	B	694,-	263,-	957,-
Grid Storage Level, hot dip-galvanized	B	59,-	10,-	69,-
Spill Tray, galvanized	B	96,-	10,-	106,-
Storage level for Drum Shelves	B	33,-	9,-	42,-
3022-4E, galvanized	B	604,-	184,-	788,-
Grid Storage Level, hot dip-galvanized	B	59,-	10,-	69,-
Spill Tray, galvanized	B	96,-	10,-	106,-
Storage level for Drum Shelves	B	33,-	9,-	42,-
3023-4E, galvanized	B	1122,-	313,-	1435,-
Grid Storage Level, hot dip-galvanized	B	59,-	10,-	69,-
Spill Tray, galvanized	B	96,-	10,-	106,-
Storage level for Drum Shelves	B	33,-	9,-	42,-
3024-4E, galvanized	B	935,-	313,-	1248,-
Grid Storage Level, hot dip-galvanized	B	59,-	10,-	69,-
Spill Tray, galvanized	B	96,-	10,-	106,-
Storage level for Drum Shelves	B	33,-	9,-	42,-

Shelves Type AG	Category	Price	Freight charges	Price including freight charges
AG 60-1, hot-dip galvanized	B	108,-	12,-	120,-
AG 60-2, hot-dip galvanized	B	113,-	14,-	127,-
AG 60-3, hot-dip galvanized	B	121,-	15,-	136,-

Prices in EUR, valid EXW DE-46354 Südlohn, DE-38820 Halberstadt, unpacked
 Freight charges valid CPT Great Britain, islands & the following post code areas excluded: IC, ZE

Price List 0424 en-GB

Environment / Storage



Sump Tray Type AM	Category	Price	Freight charges	Price including freight charges
AM-1, painted	B	323,-	184,-	507,-
AM-1, hot-dip galvanized	B	366,-	184,-	550,-
AM-2, painted	B	357,-	184,-	541,-
Drum Support FA 60-1, hot-dip galvanized	B	105,-	15,-	120,-
Drum Support FA 60-2, hot-dip galvanized	B	114,-	18,-	132,-
Drum Support FA 60-3, hot-dip galvanized	B	133,-	21,-	154,-
Drum Support FA 200-1, hot-dip galvanized	B	114,-	15,-	129,-
Can Shelf Type GR-A, galvanized	B	133,-	39,-	172,-
Can Shelf Type GR-B, galvanized	B	133,-	39,-	172,-
Can Shelf Type GR-C, galvanized	B	133,-	39,-	172,-
AM-2, hot-dip galvanized	B	412,-	184,-	596,-
Drum Support FA 60-1, hot-dip galvanized	B	105,-	15,-	120,-
Drum Support FA 60-2, hot-dip galvanized	B	114,-	18,-	132,-
Drum Support FA 60-3, hot-dip galvanized	B	133,-	21,-	154,-
Drum Support FA 200-1, hot-dip galvanized	B	114,-	15,-	129,-
Can Shelf Type GR-A, galvanized	B	133,-	39,-	172,-
Can Shelf Type GR-B, galvanized	B	133,-	39,-	172,-
Can Shelf Type GR-C, galvanized	B	133,-	39,-	172,-
AM-4/A, painted	B	428,-	184,-	612,-
Drum Support FA 60-1, hot-dip galvanized	B	105,-	15,-	120,-
Drum Support FA 60-2, hot-dip galvanized	B	114,-	18,-	132,-
Drum Support FA 60-3, hot-dip galvanized	B	133,-	21,-	154,-
Drum Support FA 200-1, hot-dip galvanized	B	114,-	15,-	129,-
Drum Support FA 200-2, hot-dip galvanized	B	133,-	22,-	155,-
Can Shelf Type GR-A, galvanized	B	133,-	39,-	172,-
Can Shelf Type GR-B, galvanized	B	133,-	39,-	172,-
Can Shelf Type GR-C, galvanized	B	133,-	39,-	172,-
AM-4/A, hot-dip galvanized	B	482,-	263,-	745,-
Drum Support FA 60-1, hot-dip galvanized	B	105,-	15,-	120,-
Drum Support FA 60-2, hot-dip galvanized	B	114,-	18,-	132,-
Drum Support FA 60-3, hot-dip galvanized	B	133,-	21,-	154,-
Drum Support FA 200-1, hot-dip galvanized	B	114,-	15,-	129,-
Drum Support FA 200-2, hot-dip galvanized	B	133,-	22,-	155,-
Can Shelf Type GR-A, galvanized	B	133,-	39,-	172,-
Can Shelf Type GR-B, galvanized	B	133,-	39,-	172,-
Can Shelf Type GR-C, galvanized	B	133,-	39,-	172,-
AM-4/B, painted	B	514,-	263,-	777,-
Drum Support FA 60-1, hot-dip galvanized	B	105,-	15,-	120,-
Drum Support FA 60-2, hot-dip galvanized	B	114,-	18,-	132,-
Drum Support FA 60-3, hot-dip galvanized	B	133,-	21,-	154,-
Can Shelf Type GR-A, galvanized	B	133,-	39,-	172,-
Can Shelf Type GR-B, galvanized	B	133,-	39,-	172,-
Can Shelf Type GR-C, galvanized	B	133,-	39,-	172,-
AM-4/B, hot-dip galvanized	B	602,-	263,-	865,-
Drum Support FA 60-1, hot-dip galvanized	B	105,-	15,-	120,-
Drum Support FA 60-2, hot-dip galvanized	B	114,-	18,-	132,-

Prices in EUR, valid EXW DE-46354 Südlohn, DE-38820 Halberstadt, unpacked
 Freight charges valid CPT Great Britain, islands & the following post code areas excluded: IC, ZE

Price List 0424 en-GB

Environment / Storage



Sump Tray Type AM	Category	Price	Freight charges	Price including freight charges
Drum Support FA 60-3, hot-dip galvanized	B	133,-	21,-	154,-
Can Shelf Type GR-A, galvanized	B	133,-	39,-	172,-
Can Shelf Type GR-B, galvanized	B	133,-	39,-	172,-
Can Shelf Type GR-C, galvanized	B	133,-	39,-	172,-

Sump Tray Type AO	Category	Price	Freight charges	Price including freight charges
AO-1, painted	B	282,-	184,-	466,-
AO-1, hot-dip galvanized	B	325,-	184,-	509,-
AO-2, painted	B	299,-	184,-	483,-
AO-2, hot-dip galvanized	B	354,-	184,-	538,-
AO-4/A, painted	B	311,-	184,-	495,-
AO-4/A, hot-dip galvanized	B	365,-	184,-	549,-
AO-4/B, painted	B	398,-	184,-	582,-
AO-4/B, hot-dip galvanized	B	483,-	184,-	667,-

Sump Tray Type AW	Category	Price	Freight charges	Price including freight charges
AW 450, painted	B	619,-	263,-	882,-
AW 450, hot-dip galvanized	B	768,-	263,-	1031,-
AW 800, painted	B	644,-	263,-	907,-
AW 800, hot-dip galvanized	B	802,-	263,-	1065,-
AW 1000, painted	B	649,-	263,-	912,-
AW 1000, hot-dip galvanized	B	809,-	263,-	1072,-
AW 1000-2, painted	B	831,-	416,-	1247,-
AW 1000-2, hot-dip galvanized	B	933,-	416,-	1349,-
AW 1000-3, hot-dip galvanized	B	1585,-	489,-	2074,-
AW 1000-3, painted	B	1472,-	416,-	1888,-
AW 1000-10F, painted	B	997,-	416,-	1413,-
AW 1000-10F, hot-dip galvanized	B	1154,-	416,-	1570,-

Sump Tray Type AW/SW	Category	Price	Freight charges	Price including freight charges
AW 450/SW, painted	B	815,-	263,-	1078,-
AW 450/SW, hot-dip galvanized	B	964,-	366,-	1330,-
AW 800/SW, painted	B	839,-	366,-	1205,-
AW 800/SW, hot-dip galvanized	B	997,-	366,-	1363,-
AW 1000/SW, painted	B	844,-	366,-	1210,-
AW 1000/SW, hot-dip galvanized	B	1006,-	366,-	1372,-
AW 1000-2/SW, painted	B	1054,-	416,-	1470,-
AW 1000-2/SW, hot-dip galvanized	B	1155,-	489,-	1644,-
AW 1000-3/SW, painted	B	1726,-	489,-	2215,-
AW 1000-3/SW, hot-dip galvanized	B	2049,-	647,-	2696,-
AW 1000-10F/SW, painted	B	1340,-	489,-	1829,-
AW 1000-10F/SW, hot-dip galvanized	B	1495,-	489,-	1984,-

Mobile Sump Tray AW 60-1 SR	Category	Price	Freight charges	Price including freight charges
AW 60-1 SR, painted	B	314,-	184,-	498,-

Prices in EUR, valid EXW DE-46354 Südlohn, DE-38820 Halberstadt, unpacked
 Freight charges valid CPT Great Britain, islands & the following post code areas excluded: IC, ZE

Price List 0424 en-GB

Environment / Storage



Mobile Sump Tray AW 60-1 SR	Category	Price	Freight charges	Price including freight charges
Fixture and Tension belt for 2 x 60 Litre Drums	B	43,-	8,-	51,-
AW 60-1 SR, hot-dip galvanized	B	333,-	184,-	517,-
Fixture and Tension belt for 2 x 60 Litre Drums	B	43,-	8,-	51,-
Mobile Sump Tray AW 60-1 SRF	Category	Price	Freight charges	Price including freight charges
AW 60-1 SRF, painted	B	414,-	184,-	598,-
AW 60-1 SRF, hot-dip galvanized	B	435,-	184,-	619,-
Sump Tray Type AW 60	Category	Price	Freight charges	Price including freight charges
AW 60-1, painted	B	170,-	74,-	244,-
Grid GR 60-1, hot-dip galvanized	B	22,-	8,-	30,-
Drum Support FA 60-A for Drum Shelf AG 60, galvanized	B	24,-	8,-	32,-
Rotating Support RA 60-A, hot-dip galvanized	B	93,-	9,-	102,-
AG 60-1, hot-dip galvanized	B	108,-	12,-	120,-
Canister Stand AB, galvanized	B	18,-	8,-	26,-
Castor Set, polyamide, Load capacity 375 kg / castor set	B	83,-	15,-	98,-
AW 60-1, hot-dip galvanized	B	182,-	74,-	256,-
Grid GR 60-1, hot-dip galvanized	B	22,-	8,-	30,-
Drum Support FA 60-A for Drum Shelf AG 60, galvanized	B	24,-	8,-	32,-
Rotating Support RA 60-A, hot-dip galvanized	B	93,-	9,-	102,-
AG 60-1, hot-dip galvanized	B	108,-	12,-	120,-
Canister Stand AB, galvanized	B	18,-	8,-	26,-
Castor Set, polyamide, Load capacity 375 kg / castor set	B	83,-	15,-	98,-
AW 60-2, painted	B	171,-	184,-	355,-
Grid GR 60-2, hot-dip galvanized	B	26,-	12,-	38,-
Drum Support FA 60-A for Drum Shelf AG 60, galvanized	B	24,-	8,-	32,-
Rotating Support RA 60-A, hot-dip galvanized	B	93,-	9,-	102,-
AG 60-2, hot-dip galvanized	B	113,-	14,-	127,-
Canister Stand AB, galvanized	B	18,-	8,-	26,-
Castor Set, polyamide, Load capacity 375 kg / castor set	B	83,-	15,-	98,-
AW 60-2, hot-dip galvanized	B	188,-	184,-	372,-
Grid GR 60-2, hot-dip galvanized	B	26,-	12,-	38,-
Drum Support FA 60-A for Drum Shelf AG 60, galvanized	B	24,-	8,-	32,-
Rotating Support RA 60-A, hot-dip galvanized	B	93,-	9,-	102,-
AG 60-2, hot-dip galvanized	B	113,-	14,-	127,-
Canister Stand AB, galvanized	B	18,-	8,-	26,-
Castor Set, polyamide, Load capacity 375 kg / castor set	B	83,-	15,-	98,-
AW 60-3, painted	B	186,-	184,-	370,-
Grid GR 60-3, hot-dip galvanized	B	38,-	14,-	52,-
Drum Support FA 60-A for Drum Shelf AG 60, galvanized	B	24,-	8,-	32,-
Rotating Support RA 60-A, hot-dip galvanized	B	93,-	9,-	102,-
AG 60-3, hot-dip galvanized	B	121,-	15,-	136,-
Canister Stand AB, galvanized	B	18,-	8,-	26,-
Castor Set, polyamide, Load capacity 375 kg / castor set	B	83,-	15,-	98,-
AW 60-3, hot-dip galvanized	B	209,-	184,-	393,-

Prices in EUR, valid EXW DE-46354 Südlohn, DE-38820 Halberstadt, unpacked
 Freight charges valid CPT Great Britain, islands & the following post code areas excluded: IC, ZE

Price List 0424 en-GB

Environment / Storage



Sump Tray Type AW 60	Category	Price	Freight charges	Price including freight charges
Grid GR 60-3, hot-dip galvanized	B	38,-	14,-	52,-
Drum Support FA 60-A for Drum Shelf AG 60, galvanized	B	24,-	8,-	32,-
Rotating Support RA 60-A, hot-dip galvanized	B	93,-	9,-	102,-
AG 60-3, hot-dip galvanized	B	121,-	15,-	136,-
Canister Stand AB, galvanized	B	18,-	8,-	26,-
Castor Set, polyamide, Load capacity 375 kg / castor set	B	83,-	15,-	98,-

Sump Tray Type AW 60/M	Category	Price	Freight charges	Price including freight charges
AW 60-1/M, painted	B	189,-	184,-	373,-
Drum Support FA 60-A for Drum Shelf AG 60, galvanized	B	24,-	8,-	32,-
Rotating Support RA 60-A, hot-dip galvanized	B	93,-	9,-	102,-
AG 60-1, hot-dip galvanized	B	108,-	12,-	120,-
Canister Stand AB, galvanized	B	18,-	8,-	26,-
Castor Set, polyamide, Load capacity 375 kg / castor set	B	83,-	15,-	98,-
AW 60-1/M, hot-dip galvanized	B	203,-	184,-	387,-
Drum Support FA 60-A for Drum Shelf AG 60, galvanized	B	24,-	8,-	32,-
Rotating Support RA 60-A, hot-dip galvanized	B	93,-	9,-	102,-
AG 60-1, hot-dip galvanized	B	108,-	12,-	120,-
Canister Stand AB, galvanized	B	18,-	8,-	26,-
Castor Set, polyamide, Load capacity 375 kg / castor set	B	83,-	15,-	98,-
AW 60-2/M, painted	B	196,-	184,-	380,-
Drum Support FA 60-A for Drum Shelf AG 60, galvanized	B	24,-	8,-	32,-
Drum Support FA 60-2, hot-dip galvanized	B	114,-	18,-	132,-
Rotating Support RA 60-A, hot-dip galvanized	B	93,-	9,-	102,-
AG 60-2, hot-dip galvanized	B	113,-	14,-	127,-
Canister Stand AB, galvanized	B	18,-	8,-	26,-
Castor Set, polyamide, Load capacity 375 kg / castor set	B	83,-	15,-	98,-
AW 60-2/M, hot-dip galvanized	B	213,-	184,-	397,-
Drum Support FA 60-A for Drum Shelf AG 60, galvanized	B	24,-	8,-	32,-
Drum Support FA 60-2, hot-dip galvanized	B	114,-	18,-	132,-
Rotating Support RA 60-A, hot-dip galvanized	B	93,-	9,-	102,-
AG 60-2, hot-dip galvanized	B	113,-	14,-	127,-
Canister Stand AB, galvanized	B	18,-	8,-	26,-
Castor Set, polyamide, Load capacity 375 kg / castor set	B	83,-	15,-	98,-
AW 60-3/M, painted	B	224,-	184,-	408,-
Drum Support FA 60-A for Drum Shelf AG 60, galvanized	B	24,-	8,-	32,-
Drum Support FA 60-2, hot-dip galvanized	B	114,-	18,-	132,-
Drum Support FA 60-3, hot-dip galvanized	B	133,-	21,-	154,-
Rotating Support RA 60-A, hot-dip galvanized	B	93,-	9,-	102,-
AG 60-3, hot-dip galvanized	B	121,-	15,-	136,-
Canister Stand AB, galvanized	B	18,-	8,-	26,-
Castor Set, polyamide, Load capacity 375 kg / castor set	B	83,-	15,-	98,-
AW 60-3/M, hot-dip galvanized	B	245,-	184,-	429,-
Drum Support FA 60-A for Drum Shelf AG 60, galvanized	B	24,-	8,-	32,-
Drum Support FA 60-2, hot-dip galvanized	B	114,-	18,-	132,-
Drum Support FA 60-3, hot-dip galvanized	B	133,-	21,-	154,-

Prices in EUR, valid EXW DE-46354 Südlohn, DE-38820 Halberstadt, unpacked
 Freight charges valid CPT Great Britain, islands & the following post code areas excluded: IC, ZE

Price List 0424 en-GB

Environment / Storage



Sump Tray Type AW 60/M	Category	Price	Freight charges	Price including freight charges
Rotating Support RA 60-A, hot-dip galvanized	B	93,-	9,-	102,-
AG 60-3, hot-dip galvanized	B	121,-	15,-	136,-
Canister Stand AB, galvanized	B	18,-	8,-	26,-
Castor Set, polyamide, Load capacity 375 kg / castor set	B	83,-	15,-	98,-

Sump Tray Type AW/PE	Category	Price	Freight charges	Price including freight charges
AW-1/PE, painted	B	635,-	184,-	819,-
AW-1/PE, hot-dip galvanized	B	664,-	184,-	848,-
AW-2/PE, painted	B	696,-	184,-	880,-
Drum Support FA 60-1, hot-dip galvanized	B	105,-	15,-	120,-
Drum Support FA 60-2, hot-dip galvanized	B	114,-	18,-	132,-
Drum Support FA 60-3, hot-dip galvanized	B	133,-	21,-	154,-
Drum Support FA 200-1, hot-dip galvanized	B	114,-	15,-	129,-
Can Shelf Type GR-A, galvanized	B	133,-	39,-	172,-
Can Shelf Type GR-B, galvanized	B	133,-	39,-	172,-
Can Shelf Type GR-C, galvanized	B	133,-	39,-	172,-
AW-2/PE, hot-dip galvanized	B	731,-	184,-	915,-
Drum Support FA 60-1, hot-dip galvanized	B	105,-	15,-	120,-
Drum Support FA 60-2, hot-dip galvanized	B	114,-	18,-	132,-
Drum Support FA 60-3, hot-dip galvanized	B	133,-	21,-	154,-
Drum Support FA 200-1, hot-dip galvanized	B	114,-	15,-	129,-
Can Shelf Type GR-A, galvanized	B	133,-	39,-	172,-
Can Shelf Type GR-B, galvanized	B	133,-	39,-	172,-
Can Shelf Type GR-C, galvanized	B	133,-	39,-	172,-
AW-4/A/PE, painted	B	790,-	263,-	1053,-
Drum Support FA 60-1, hot-dip galvanized	B	105,-	15,-	120,-
Drum Support FA 60-2, hot-dip galvanized	B	114,-	18,-	132,-
Drum Support FA 60-3, hot-dip galvanized	B	133,-	21,-	154,-
Drum Support FA 200-1, hot-dip galvanized	B	114,-	15,-	129,-
Drum Support FA 200-2, hot-dip galvanized	B	133,-	22,-	155,-
Can Shelf Type GR-A, galvanized	B	133,-	39,-	172,-
Can Shelf Type GR-B, galvanized	B	133,-	39,-	172,-
Can Shelf Type GR-C, galvanized	B	133,-	39,-	172,-
AW-4/A/PE, hot-dip galvanized	B	829,-	263,-	1092,-
Drum Support FA 60-1, hot-dip galvanized	B	105,-	15,-	120,-
Drum Support FA 60-2, hot-dip galvanized	B	114,-	18,-	132,-
Drum Support FA 60-3, hot-dip galvanized	B	133,-	21,-	154,-
Drum Support FA 200-1, hot-dip galvanized	B	114,-	15,-	129,-
Drum Support FA 200-2, hot-dip galvanized	B	133,-	22,-	155,-
Can Shelf Type GR-A, galvanized	B	133,-	39,-	172,-
Can Shelf Type GR-B, galvanized	B	133,-	39,-	172,-
Can Shelf Type GR-C, galvanized	B	133,-	39,-	172,-
AW-4/B/PE, painted	B	986,-	313,-	1299,-
Drum Support FA 60-1, hot-dip galvanized	B	105,-	15,-	120,-
Drum Support FA 60-2, hot-dip galvanized	B	114,-	18,-	132,-
Drum Support FA 60-3, hot-dip galvanized	B	133,-	21,-	154,-

Prices in EUR, valid EXW DE-46354 Südlohn, DE-38820 Halberstadt, unpacked
 Freight charges valid CPT Great Britain, islands & the following post code areas excluded: IC, ZE

Price List 0424 en-GB

Environment / Storage



Sump Tray Type AW/PE	Category	Price	Freight charges	Price including freight charges
Can Shelf Type GR-A, galvanized	B	133,-	39,-	172,-
Can Shelf Type GR-B, galvanized	B	133,-	39,-	172,-
Can Shelf Type GR-C, galvanized	B	133,-	39,-	172,-
AW-4/B/PE, hot-dip galvanized	B	1058,-	313,-	1371,-
Drum Support FA 60-1, hot-dip galvanized	B	105,-	15,-	120,-
Drum Support FA 60-2, hot-dip galvanized	B	114,-	18,-	132,-
Drum Support FA 60-3, hot-dip galvanized	B	133,-	21,-	154,-
Can Shelf Type GR-A, galvanized	B	133,-	39,-	172,-
Can Shelf Type GR-B, galvanized	B	133,-	39,-	172,-
Can Shelf Type GR-C, galvanized	B	133,-	39,-	172,-
AW 1000/PE, painted	B	1339,-	366,-	1705,-
AW 1000/PE, hot-dip galvanized	B	1521,-	366,-	1887,-
AW 1000-2/PE, painted	B	1642,-	416,-	2058,-
AW 1000-2/PE, hot-dip galvanized	B	1756,-	416,-	2172,-

Sump Trays AW 8-12	Category	Price	Freight charges	Price including freight charges
AW-8, painted	B	707,-	313,-	1020,-
AW-8, hot-dip galvanized	B	787,-	416,-	1203,-
AW-10, painted	B	873,-	416,-	1289,-
AW-10, hot-dip galvanized	B	1197,-	416,-	1613,-
AW-12, painted	B	1000,-	416,-	1416,-
AW-12, hot-dip galvanized	B	1382,-	416,-	1798,-

Sump Tray Type AWA	Category	Price	Freight charges	Price including freight charges
AWA 1000, painted	B	834,-	263,-	1097,-
AWA 1000, hot-dip galvanized	B	1009,-	366,-	1375,-
AWA 1000-2, painted	B	1197,-	416,-	1613,-
AWA 1000-2, hot-dip galvanized	B	1327,-	416,-	1743,-
AWA 1000-3, painted	B	2177,-	489,-	2666,-
AWA 1000-3, hot-dip galvanized	B	2304,-	646,-	2950,-
AWA 21, painted	B	1012,-	416,-	1428,-
AWA 21, hot-dip galvanized	B	1142,-	416,-	1558,-
AWA 31, painted	B	1889,-	489,-	2378,-
AWA 31, hot-dip galvanized	B	2006,-	489,-	2495,-
AWA 32, painted	B	2055,-	489,-	2544,-
AWA 32, hot-dip galvanized	B	2173,-	489,-	2662,-

Sump Tray Type AWA/SW	Category	Price	Freight charges	Price including freight charges
AWA 1000/SW, painted	B	1028,-	366,-	1394,-
AWA 1000/SW, hot-dip galvanized	B	1203,-	366,-	1569,-
AWA 1000-2/SW, painted	B	1422,-	489,-	1911,-
AWA 1000-2/SW, hot-dip galvanized	B	1550,-	489,-	2039,-
AWA 1000-3/SW, painted	B	2432,-	647,-	3079,-
AWA 1000-3/SW, hot-dip galvanized	B	2558,-	647,-	3205,-
AWA 21/SW, painted	B	1234,-	489,-	1723,-

Prices in EUR, valid EXW DE-46354 Südlohn, DE-38820 Halberstadt, unpacked
 Freight charges valid CPT Great Britain, islands & the following post code areas excluded: IC, ZE

Price List 0424 en-GB

Environment / Storage



Sump Tray Type AWA/SW	Category	Price	Freight charges	Price including freight charges
AWA 21/SW, hot-dip galvanized	B	1365,-	489,-	1854,-
AWA 31/SW, painted	B	2142,-	647,-	2789,-
AWA 31/SW, hot-dip galvanized	B	2259,-	647,-	2906,-
AWA 32/SW, painted	B	2307,-	647,-	2954,-
AWA 32/SW, hot-dip galvanized	B	2427,-	647,-	3074,-

Sump Tray Type AW-F	Category	Price	Freight charges	Price including freight charges
AW-F 1, painted	B	634,-	184,-	818,-
Fixture and Tension Belt for 1 x 200 Litre Drum	B	46,-	9,-	55,-
AW-F 1, hot-dip galvanized	B	753,-	184,-	937,-
Fixture and Tension Belt for 1 x 200 Litre Drum	B	46,-	9,-	55,-
AW-F 2, painted	B	664,-	184,-	848,-
Fixture and Tension Belt for 2 x 200 Litre Drums	B	46,-	9,-	55,-
AW-F 2, hot-dip galvanized	B	813,-	184,-	997,-
Fixture and Tension Belt for 2 x 200 Litre Drums	B	46,-	9,-	55,-

Ground Protection Spill Tray Type BSW	Category	Price	Freight charges	Price including freight charges
BSW 21, galvanized	B	433,-	263,-	696,-
Access Ramp AR 21, galvanized	B	160,-	22,-	182,-
Access Corner Piece AE 24, galvanized	B	125,-	10,-	135,-
Cross-Shaped Connector KV 24, galvanized	B	19,-	8,-	27,-
Tray Connecting Strip WV 21, galvanized	B	21,-	8,-	29,-
BSW 22, galvanized	B	570,-	263,-	833,-
Access Ramp AR 21, galvanized	B	160,-	22,-	182,-
Access Ramp AR 22, galvanized	B	203,-	32,-	235,-
Access Corner Piece AE 24, galvanized	B	125,-	10,-	135,-
Cross-Shaped Connector KV 24, galvanized	B	19,-	8,-	27,-
Tray Connecting Strip WV 21, galvanized	B	21,-	8,-	29,-
Tray Connecting Strip WV 22, galvanized	B	23,-	8,-	31,-
BSW 23, galvanized	B	738,-	230,-	968,-
Access Ramp AR 23, galvanized	B	289,-	234,-	523,-
Access Ramp AR 21, galvanized	B	160,-	22,-	182,-
Access Corner Piece AE 24, galvanized	B	125,-	10,-	135,-
Cross-Shaped Connector KV 24, galvanized	B	19,-	8,-	27,-
Tray Connecting Strip WV 21, galvanized	B	21,-	8,-	29,-
Tray Connecting Strip WV 23, galvanized	B	35,-	9,-	44,-
BSW 24, galvanized	B	1295,-	290,-	1585,-
Access Ramp AR 23, galvanized	B	289,-	234,-	523,-
Access Ramp AR 22, galvanized	B	203,-	32,-	235,-
Access Corner Piece AE 24, galvanized	B	125,-	10,-	135,-
Cross-Shaped Connector KV 24, galvanized	B	19,-	8,-	27,-
Tray Connecting Strip WV 22, galvanized	B	23,-	8,-	31,-
Tray Connecting Strip WV 23, galvanized	B	35,-	9,-	44,-
BSW 121, galvanized	B	192,-	74,-	266,-
Access Ramp AR 121, galvanized	B	157,-	22,-	179,-

Prices in EUR, valid EXW DE-46354 Südlohn, DE-38820 Halberstadt, unpacked
 Freight charges valid CPT Great Britain, islands & the following post code areas excluded: IC, ZE

Price List 0424 en-GB

Environment / Storage



Ground Protection Spill Tray Type BSW	Category	Price	Freight charges	Price including freight charges
Cross-Shaped Connector KV 24, galvanized	B	19,-	8,-	27,-
Tray Connecting Strip WV 121, galvanized	B	20,-	9,-	29,-
BSW 122, galvanized	B	234,-	184,-	418,-
Access Ramp AR 121, galvanized	B	157,-	22,-	179,-
Access Ramp AR 122, galvanized	B	265,-	36,-	301,-
Access Corner Piece AE 124, galvanized	B	252,-	21,-	273,-
Cross-Shaped Connector KV 24, galvanized	B	19,-	8,-	27,-
Tray Connecting Strip WV 121, galvanized	B	20,-	9,-	29,-
Tray Connecting Strip WV 122, galvanized	B	25,-	9,-	34,-
BSW 123, galvanized	B	327,-	184,-	511,-
Access Ramp AR 122, galvanized	B	265,-	36,-	301,-
Access Corner Piece AE 124, galvanized	B	252,-	21,-	273,-
Cross-Shaped Connector KV 24, galvanized	B	19,-	8,-	27,-
Tray Connecting Strip WV 122, galvanized	B	25,-	9,-	34,-
BSW 124, galvanized	B	534,-	263,-	797,-
Access Ramp AR 122, galvanized	B	265,-	36,-	301,-
Access Ramp AR 123, galvanized	B	326,-	228,-	554,-
Access Corner Piece AE 124, galvanized	B	252,-	21,-	273,-
Cross-Shaped Connector KV 24, galvanized	B	19,-	8,-	27,-
Tray Connecting Strip WV 122, galvanized	B	25,-	9,-	34,-
Tray Connecting Strip WV 123, galvanized	B	34,-	9,-	43,-
BSW 125, galvanized	B	411,-	313,-	724,-
Access Ramp AR 121, galvanized	B	157,-	22,-	179,-
Access Ramp AR 124, galvanized	B	378,-	313,-	691,-
Access Corner Piece AE 124, galvanized	B	252,-	21,-	273,-
Cross-Shaped Connector KV 24, galvanized	B	19,-	8,-	27,-
Tray Connecting Strip WV 121, galvanized	B	20,-	9,-	29,-
Tray Connecting Strip WV 124, galvanized	B	47,-	9,-	56,-
BSW 126, galvanized	B	645,-	416,-	1061,-
Access Ramp AR 122, galvanized	B	265,-	36,-	301,-
Access Ramp AR 124, galvanized	B	378,-	313,-	691,-
Access Corner Piece AE 124, galvanized	B	252,-	21,-	273,-
Cross-Shaped Connector KV 24, galvanized	B	19,-	8,-	27,-
Tray Connecting Strip WV 122, galvanized	B	25,-	9,-	34,-
Tray Connecting Strip WV 124, galvanized	B	47,-	9,-	56,-
Polyethylene Bunded Spill Flooring Type BWP-PE	Category	Price	Freight charges	Price including freight charges
BWP-PE 150, made of robust polyethylene	B	305,-	184,-	489,-
Ramp Type BWR, robust polyethylene, black	B	214,-	12,-	226,-
Joining Element BWV 2, stainless steel 1.4301	B	28,-	9,-	37,-
BWP-PE 300, made of robust polyethylene	B	619,-	184,-	803,-
Ramp Type BWR, robust polyethylene, black	B	214,-	12,-	226,-
Joining Element BWV 4, stainless steel 1.4301	B	36,-	10,-	46,-

Prices in EUR, valid EXW DE-46354 Südlohn, DE-38820 Halberstadt, unpacked
 Freight charges valid CPT Great Britain, islands & the following post code areas excluded: IC, ZE

Price List 0424 en-GB

Environment / Storage



Polyethylene Bunded Spill Flooring Type BWPS-PE	Category	Price	Freight charges	Price including freight charges
BWPS-PE 300, made of robust polyethylene	B	759,-	234,-	993,-
Ramp Type BWR, robust polyethylene, black	B	214,-	12,-	226,-
Joining Element BWV 2, stainless steel 1.4301	B	28,-	9,-	37,-

Shelf Container Type CEH	Category	Price	Freight charges	Price including freight charges
CEH 29-2, painted	C	8832,-	on request	on request
CEH 29-2 IBC, painted	C	9735,-	on request	on request
CEH 36-2 IBC, painted	C	11330,-	on request	on request
CEH 38-2, painted	C	11322,-	on request	on request
CEH 59-2, painted	C	16765,-	on request	on request
CEH 59-2 IBC, painted	C	17999,-	on request	on request
CEH 75-2 IBC, painted	C	21334,-	on request	on request
CEH 81-2, painted	C	21762,-	on request	on request

Shelf Container Type CEN	Category	Price	Freight charges	Price including freight charges
CEN 29-2, painted	C	7453,-	on request	on request
Potential equalisation	C	177,-	0,-	177,-
CEN 29-2 IBC, painted	C	8136,-	on request	on request
Potential equalisation	C	177,-	0,-	177,-
CEN 29-2b, painted	C	12990,-	on request	on request
Potential equalisation	C	353,-	0,-	353,-
CEN 29-2b IBC, painted	C	13892,-	on request	on request
Potential equalisation	C	353,-	0,-	353,-
CEN 29-3, painted	C	11729,-	on request	on request
Potential equalisation	C	264,-	0,-	264,-
CEN 29-3 IBC, painted	C	12480,-	on request	on request
Potential equalisation	C	264,-	0,-	264,-
CEN 29-3b, painted	C	19088,-	on request	on request
Potential equalisation	C	527,-	0,-	527,-
CEN 29-3b IBC, painted	C	20156,-	on request	on request
Potential equalisation	C	527,-	0,-	527,-
CEN 33-2 IBC, painted	C	9075,-	on request	on request
Potential equalisation	C	177,-	0,-	177,-
CEN 33-2b IBC, painted	C	15207,-	on request	on request
Potential equalisation	C	353,-	0,-	353,-
CEN 33-3 IBC, painted	C	13380,-	on request	on request
Potential equalisation	C	264,-	0,-	264,-
CEN 33-3b IBC, painted	C	21273,-	on request	on request
Potential equalisation	C	527,-	0,-	527,-
CEN 36-2, painted	C	9149,-	on request	on request
Potential equalisation	C	177,-	0,-	177,-
CEN 36-2b, painted	C	15565,-	on request	on request
Potential equalisation	C	353,-	0,-	353,-
CEN 36-3, painted	C	13571,-	on request	on request
Potential equalisation	C	264,-	0,-	264,-

Prices in EUR, valid EXW DE-46354 Südlohn, DE-38820 Halberstadt, unpacked
 Freight charges valid CPT Great Britain, islands & the following post code areas excluded: IC, ZE

Price List 0424 en-GB

Environment / Storage



Shelf Container Type CEN	Category	Price	Freight charges	Price including freight charges
CEN 36-3b, painted	C	21925,-	on request	on request
Potential equalisation	C	527,-	0,-	527,-
CEN 59-2, painted	C	12340,-	on request	on request
Potential equalisation	C	352,-	0,-	352,-
CEN 59-2 IBC, painted	C	13446,-	on request	on request
Potential equalisation	C	352,-	0,-	352,-
CEN 59-2b, painted	C	21238,-	on request	on request
Potential equalisation	C	704,-	0,-	704,-
CEN 59-2b IBC, painted	C	21984,-	on request	on request
Potential equalisation	C	704,-	0,-	704,-
CEN 59-3, painted	C	18998,-	on request	on request
Potential equalisation	C	526,-	0,-	526,-
CEN 59-3 IBC, painted	C	20108,-	on request	on request
Potential equalisation	C	526,-	0,-	526,-
CEN 59-3b, painted	C	30667,-	on request	on request
Potential equalisation	C	1052,-	0,-	1052,-
CEN 59-3b IBC, painted	C	32274,-	on request	on request
Potential equalisation	C	1052,-	0,-	1052,-
CEN 65-2 IBC, painted	C	14494,-	on request	on request
Potential equalisation	C	352,-	0,-	352,-
CEN 65-2b IBC, painted	C	24443,-	on request	on request
Potential equalisation	C	704,-	0,-	704,-
CEN 65-3 IBC, painted	C	21255,-	on request	on request
Potential equalisation	C	526,-	0,-	526,-
CEN 65-3b IBC, painted	C	34704,-	on request	on request
Potential equalisation	C	1052,-	0,-	1052,-
CEN 75-2, painted	C	15462,-	on request	on request
Potential equalisation	C	352,-	0,-	352,-
CEN 75-2b, painted	C	25589,-	on request	on request
Potential equalisation	C	704,-	0,-	704,-
CEN 75-3, painted	C	22305,-	on request	on request
Potential equalisation	C	526,-	0,-	526,-
CEN 75-3b, painted	C	36212,-	on request	on request
Potential equalisation	C	1052,-	0,-	1052,-
CEN 81-2, painted	C	16220,-	on request	on request
Potential equalisation	C	352,-	0,-	352,-
CEN 81-2b, painted	C	26755,-	on request	on request
Potential equalisation	C	704,-	0,-	704,-
CEN 81-3, painted	C	23356,-	on request	on request
Potential equalisation	C	526,-	0,-	526,-
CEN 81-3b, painted	C	37796,-	on request	on request
Potential equalisation	C	1052,-	0,-	1052,-
Sump Tray for Skips Type CW	Category	Price	Freight charges	Price including freight charges
CW 1, painted	B	2852,-	on request	on request
CW 2, painted	B	3116,-	on request	on request

Prices in EUR, valid EXW DE-46354 Südlohn, DE-38820 Halberstadt, unpacked
 Freight charges valid CPT Great Britain, islands & the following post code areas excluded: IC, ZE

Price List 0424 en-GB

Environment / Storage



Sump Tray for Skips Type CW	Category	Price	Freight charges	Price including freight charges
CW 3, painted	B	3596,-	on request	on request

Sump Tray Type ECO	Category	Price	Freight charges	Price including freight charges
ECO 1/200, painted	B	237,-	184,-	421,-
ECO 1/200, hot-dip galvanized	B	247,-	184,-	431,-
ECO 2/200, painted	B	252,-	184,-	436,-
ECO 2/200, hot-dip galvanized	B	260,-	184,-	444,-
ECO 4/200, painted	B	275,-	184,-	459,-
ECO 4/200, hot-dip galvanized	B	286,-	184,-	470,-
ECO 4/400, painted	B	342,-	184,-	526,-
ECO 4/400, hot-dip galvanized	B	357,-	184,-	541,-
ECO 1/1000, painted	B	610,-	263,-	873,-
ECO 1/1000, hot-dip galvanized	B	733,-	263,-	996,-
ECO 2/1000, painted	B	798,-	313,-	1111,-
ECO 2/1000, hot-dip galvanized	B	884,-	313,-	1197,-

Sump Tray Type ECO-A	Category	Price	Freight charges	Price including freight charges
ECO-A 1/1000, painted	B	802,-	263,-	1065,-
ECO-A 1/1000, hot-dip galvanized	B	938,-	263,-	1201,-
ECO-A 2/1000, painted	B	1179,-	416,-	1595,-
ECO-A 2/1000, hot-dip galvanized	B	1295,-	416,-	1711,-

Sump Tray Type ECO-S	Category	Price	Freight charges	Price including freight charges
ECO-S 2/200, hot-dip galvanized	B	3330,-	390,-	3720,-
ECO-S 4/200, hot-dip galvanized	B	3915,-	465,-	4380,-
ECO-S 4/400, hot-dip galvanized	B	4830,-	525,-	5355,-

Suspended Sump with Polyethylene Inlay Type EHW PE	Category	Price	Freight charges	Price including freight charges
EHW 1800 PE, painted	B	878,-	263,-	1141,-
EHW 1800 PE, hot-dip galvanized	B	890,-	263,-	1153,-
EHW 2200 PE, painted	B	953,-	263,-	1216,-
EHW 2200 PE, hot-dip galvanized	B	993,-	263,-	1256,-
EHW 2700 PE, painted	B	1105,-	416,-	1521,-
EHW 2700 PE, hot-dip galvanized	B	1170,-	416,-	1586,-
EHW 3300 PE, painted	B	1597,-	416,-	2013,-
EHW 3300 PE, hot-dip galvanized	B	1668,-	416,-	2084,-

Suspended Sump Type EHW	Category	Price	Freight charges	Price including freight charges
EHW 1800, painted	B	491,-	263,-	754,-
EHW 1800, hot-dip galvanized	B	503,-	263,-	766,-
EHW 2200, painted	B	544,-	263,-	807,-
EHW 2200, hot-dip galvanized	B	584,-	263,-	847,-
EHW 2700, painted	B	626,-	313,-	939,-
EHW 2700, hot-dip galvanized	B	692,-	313,-	1005,-
EHW 3300, painted	B	968,-	416,-	1384,-

Prices in EUR, valid EXW DE-46354 Südlohn, DE-38820 Halberstadt, unpacked
 Freight charges valid CPT Great Britain, islands & the following post code areas excluded: IC, ZE

Price List 0424 en-GB

Environment / Storage



Suspended Sump Type EHW	Category	Price	Freight charges	Price including freight charges
EHW 3300, hot-dip galvanized	B	1039,-	416,-	1455,-
EHW 3600, painted	B	1014,-	416,-	1430,-
EHW 3600, hot-dip galvanized	B	1092,-	416,-	1508,-
Drum Pallet Type FP	Category	Price	Freight charges	Price including freight charges
FP 2, hot-dip galvanized	B	88,-	184,-	272,-
Drum Shelve Type FR	Category	Price	Freight charges	Price including freight charges
FR-1, hot-dip galvanized	B	283,-	149,-	432,-
Can Stand Type GS, hot-dip galvanized	B	62,-	18,-	80,-
Clip-on Rotating Support, galvanized	B	82,-	10,-	92,-
FR-2, hot-dip galvanized	B	362,-	149,-	511,-
Can Stand Type GS, hot-dip galvanized	B	62,-	18,-	80,-
Clip-on Rotating Support, galvanized	B	82,-	10,-	92,-
FR-3, hot-dip galvanized	B	404,-	149,-	553,-
Can Stand Type GS, hot-dip galvanized	B	62,-	18,-	80,-
Rotating Support RA 60, hot-dip galvanized	B	93,-	9,-	102,-
Sump Tray Type FRA	Category	Price	Freight charges	Price including freight charges
FRA-1, painted	B	299,-	184,-	483,-
Grid, hot-dip galvanized	B	64,-	16,-	80,-
FRA-1, hot-dip galvanized	B	354,-	184,-	538,-
Grid, hot-dip galvanized	B	64,-	16,-	80,-
FRA-2, painted	B	311,-	184,-	495,-
Grid, hot-dip galvanized	B	127,-	24,-	151,-
FRA-2, hot-dip galvanized	B	365,-	184,-	549,-
Grid, hot-dip galvanized	B	127,-	24,-	151,-
FRA-3, painted	B	311,-	184,-	495,-
Grid, hot-dip galvanized	B	127,-	24,-	151,-
FRA-3, hot-dip galvanized	B	365,-	184,-	549,-
Grid, hot-dip galvanized	B	127,-	24,-	151,-
Drum Shelf Type FRE/M	Category	Price	Freight charges	Price including freight charges
FRE-1/M, hot-dip galvanized	B	217,-	21,-	238,-
Clip-on Rotating Support, galvanized	B	82,-	10,-	92,-
Can Stand Type GS, hot-dip galvanized	B	62,-	18,-	80,-
FRE-2/M, hot-dip galvanized	B	252,-	22,-	274,-
Clip-on Rotating Support, galvanized	B	82,-	10,-	92,-
Can Stand Type GS, hot-dip galvanized	B	62,-	18,-	80,-
FRE-3/M, hot-dip galvanized	B	269,-	27,-	296,-
Rotating Support RA 60, hot-dip galvanized	B	93,-	9,-	102,-
Can Stand Type GS, hot-dip galvanized	B	62,-	18,-	80,-
Can Shelf Type FRE-G/M	Category	Price	Freight charges	Price including freight charges
FRE-G1/M, hot-dip galvanized	B	228,-	27,-	255,-

Prices in EUR, valid EXW DE-46354 Südlohn, DE-38820 Halberstadt, unpacked
Freight charges valid CPT Great Britain, islands & the following post code areas excluded: IC, ZE

Price List 0424 en-GB

Environment / Storage



Can Shelf Type FRE-G/M	Category	Price	Freight charges	Price including freight charges
FRE-G2/M, hot-dip galvanized	B	264,-	32,-	296,-

Can Shelf for Small Cans Type FRG	Category	Price	Freight charges	Price including freight charges
FRG, hot-dip galvanized	B	368,-	149,-	517,-

Drum Stacking Pallet Type FSP-D	Category	Price	Freight charges	Price including freight charges
FSP-1 D, lackiert	B	816,-	263,-	1079,-
FSP-1 D, hot-dip galvanized	B	1068,-	263,-	1331,-
FSP-2 D, lackiert	B	870,-	263,-	1133,-
FSP-2 D, hot-dip galvanized	B	1180,-	263,-	1443,-
FSP-4 D, lackiert	B	1130,-	263,-	1393,-
FSP-4 D, hot-dip galvanized	B	1560,-	263,-	1823,-

Drum Stacking Pallet Type FSP-G	Category	Price	Freight charges	Price including freight charges
FSP-1 G, lackiert	B	793,-	263,-	1056,-
FSP-1 G, hot-dip galvanized	B	1052,-	263,-	1315,-
FSP-2 G, painted	B	849,-	263,-	1112,-
FSP-2 G, hot-dip galvanized	B	1156,-	263,-	1419,-
FSP-4 G, painted	B	1109,-	366,-	1475,-
FSP-4 G, hot-dip galvanized	B	1533,-	366,-	1899,-

Drum Stacking Pallet Type FSP	Category	Price	Freight charges	Price including freight charges
FSP-1, painted	B	467,-	184,-	651,-
FSP-1, hot-dip galvanized	B	702,-	263,-	965,-
FSP-2, painted	B	632,-	263,-	895,-
FSP-2, hot-dip galvanized	B	882,-	263,-	1145,-
FSP-4, painted	B	720,-	263,-	983,-
FSP-4, hot-dip galvanized	B	1112,-	263,-	1375,-

Hazardous Materials Depot Type GD-A	Category	Price	Freight charges	Price including freight charges
GD-A, painted	C	736,-	263,-	999,-
Drum Support FA 60-1, hot-dip galvanized	B	105,-	15,-	120,-
Drum Support FA 60-2, hot-dip galvanized	B	114,-	18,-	132,-
Drum Support FA 60-3, hot-dip galvanized	B	133,-	21,-	154,-
Can Shelf Type GR-A, galvanized	B	133,-	39,-	172,-
Can Shelf Type GR-B, galvanized	B	133,-	39,-	172,-
Can Shelf Type GR-C, galvanized	B	133,-	39,-	172,-
GD-A, hot-dip galvanized	C	927,-	263,-	1190,-
Drum Support FA 60-1, hot-dip galvanized	B	105,-	15,-	120,-
Drum Support FA 60-2, hot-dip galvanized	B	114,-	18,-	132,-
Drum Support FA 60-3, hot-dip galvanized	B	133,-	21,-	154,-
Can Shelf Type GR-A, galvanized	B	133,-	39,-	172,-
Can Shelf Type GR-B, galvanized	B	133,-	39,-	172,-
Can Shelf Type GR-C, galvanized	B	133,-	39,-	172,-

Prices in EUR, valid EXW DE-46354 Südlohn, DE-38820 Halberstadt, unpacked
 Freight charges valid CPT Great Britain, islands & the following post code areas excluded: IC, ZE

Price List 0424 en-GB

Environment / Storage



Hazardous Materials Depot Type GD-B	Category	Price	Freight charges	Price including freight charges
GD-B, painted	C	1316,-	263,-	1579,-
Drum Support FA 60-1, hot-dip galvanized	B	105,-	15,-	120,-
Drum Support FA 60-2, hot-dip galvanized	B	114,-	18,-	132,-
Drum Support FA 60-3, hot-dip galvanized	B	133,-	21,-	154,-
Can Shelf Type GR-A, galvanized	B	133,-	39,-	172,-
Can Shelf Type GR-B, galvanized	B	133,-	39,-	172,-
Can Shelf Type GR-C, galvanized	B	133,-	39,-	172,-
GD-B, hot-dip galvanized	C	1570,-	263,-	1833,-
Drum Support FA 60-1, hot-dip galvanized	B	105,-	15,-	120,-
Drum Support FA 60-2, hot-dip galvanized	B	114,-	18,-	132,-
Drum Support FA 60-3, hot-dip galvanized	B	133,-	21,-	154,-
Can Shelf Type GR-A, galvanized	B	133,-	39,-	172,-
Can Shelf Type GR-B, galvanized	B	133,-	39,-	172,-
Can Shelf Type GR-C, galvanized	B	133,-	39,-	172,-
Hazardous Materials Depot Type GD-C	Category	Price	Freight charges	Price including freight charges
GD-C, painted	C	1123,-	263,-	1386,-
Drum Support FA 60-1, hot-dip galvanized	B	105,-	15,-	120,-
Drum Support FA 60-2, hot-dip galvanized	B	114,-	18,-	132,-
Drum Support FA 60-3, hot-dip galvanized	B	133,-	21,-	154,-
Can Shelf Type GR-A, galvanized	B	133,-	39,-	172,-
Can Shelf Type GR-B, galvanized	B	133,-	39,-	172,-
Can Shelf Type GR-C, galvanized	B	133,-	39,-	172,-
GD-C, hot-dip galvanized	C	1269,-	263,-	1532,-
Drum Support FA 60-1, hot-dip galvanized	B	105,-	15,-	120,-
Drum Support FA 60-2, hot-dip galvanized	B	114,-	18,-	132,-
Drum Support FA 60-3, hot-dip galvanized	B	133,-	21,-	154,-
Can Shelf Type GR-A, galvanized	B	133,-	39,-	172,-
Can Shelf Type GR-B, galvanized	B	133,-	39,-	172,-
Can Shelf Type GR-C, galvanized	B	133,-	39,-	172,-
Hazardous Materials Depot Type GD-E	Category	Price	Freight charges	Price including freight charges
GD-E 2, galvanized	C	1509,-	366,-	1875,-
Drum Support FA 60-1, hot-dip galvanized	B	105,-	15,-	120,-
Drum Support FA 60-2, hot-dip galvanized	B	114,-	18,-	132,-
Drum Support FA 60-3, hot-dip galvanized	B	133,-	21,-	154,-
Can Shelf Type GR-A, galvanized	B	133,-	39,-	172,-
Can Shelf Type GR-B, galvanized	B	133,-	39,-	172,-
Can Shelf Type GR-C, galvanized	B	133,-	39,-	172,-
GD-E 4, galvanized	C	1842,-	439,-	2281,-
Drum Support FA 60-1, hot-dip galvanized	B	105,-	15,-	120,-
Drum Support FA 60-2, hot-dip galvanized	B	114,-	18,-	132,-
Drum Support FA 60-3, hot-dip galvanized	B	133,-	21,-	154,-
Can Shelf Type GR-A, galvanized	B	133,-	39,-	172,-
Can Shelf Type GR-B, galvanized	B	133,-	39,-	172,-

Prices in EUR, valid EXW DE-46354 Südlohn, DE-38820 Halberstadt, unpacked
 Freight charges valid CPT Great Britain, islands & the following post code areas excluded: IC, ZE

Price List 0424 en-GB

Environment / Storage



Hazardous Materials Depot Type GD-E	Category	Price	Freight charges	Price including freight charges
Can Shelf Type GR-C, galvanized	B	133,-	39,-	172,-

Hazardous Materials Depot Type GD-E/IBC	Category	Price	Freight charges	Price including freight charges
GD-E/IBC, galvanized	C	2286,-	1132,-	3418,-
GD-E/IBC-2, galvanized	C	3431,-	440,-	3871,-

Hazardous Materials Depot Type GD-N	Category	Price	Freight charges	Price including freight charges
GD-N 2, galvanized	C	1315,-	366,-	1681,-
Intermediate Storage Level ZB, galvanized, for Hazardous Materials Depot	C	102,-	18,-	120,-
Drum Support FA 60-1, hot-dip galvanized	B	105,-	15,-	120,-
Can Shelf Type GR-A, galvanized	B	133,-	39,-	172,-
Can Shelf Type GR-B, galvanized	B	133,-	39,-	172,-
Can Shelf Type GR-C, galvanized	B	133,-	39,-	172,-
GD-N 4, galvanized	C	1639,-	366,-	2005,-
Intermediate Storage Level ZB, galvanized, for Hazardous Materials Depot	C	102,-	18,-	120,-
Drum Support FA 60-1, hot-dip galvanized	B	105,-	15,-	120,-
Drum Support FA 60-2, hot-dip galvanized	B	114,-	18,-	132,-
Drum Support FA 200-1, hot-dip galvanized	B	114,-	15,-	129,-
Drum Support FA 200-2, hot-dip galvanized	B	133,-	22,-	155,-
Can Shelf Type GR-A, galvanized	B	133,-	39,-	172,-
Can Shelf Type GR-B, galvanized	B	133,-	39,-	172,-
Can Shelf Type GR-C, galvanized	B	133,-	39,-	172,-

Hazardous Materials Depot Type GD-N/R	Category	Price	Freight charges	Price including freight charges
GD-N/R 2, galvanized	C	1509,-	366,-	1875,-
Intermediate Storage Level ZB, galvanized, for Hazardous Materials Depot	C	102,-	18,-	120,-
Drum Support FA 60-1, hot-dip galvanized	B	105,-	15,-	120,-
Can Shelf Type GR-A, galvanized	B	133,-	39,-	172,-
Can Shelf Type GR-B, galvanized	B	133,-	39,-	172,-
Can Shelf Type GR-C, galvanized	B	133,-	39,-	172,-
GD-N/R 4, galvanized	C	1836,-	366,-	2202,-
Intermediate Storage Level ZB, galvanized, for Hazardous Materials Depot	C	102,-	18,-	120,-
Drum Support FA 60-1, hot-dip galvanized	B	105,-	15,-	120,-
Drum Support FA 60-2, hot-dip galvanized	B	114,-	18,-	132,-
Drum Support FA 200-1, hot-dip galvanized	B	114,-	15,-	129,-
Drum Support FA 200-2, hot-dip galvanized	B	133,-	22,-	155,-
Can Shelf Type GR-A, galvanized	B	133,-	39,-	172,-
Can Shelf Type GR-B, galvanized	B	133,-	39,-	172,-
Can Shelf Type GR-C, galvanized	B	133,-	39,-	172,-

Gas Cylinder Containers Type GFC	Category	Price	Freight charges	Price including freight charges
GFC-1 (grid floor), painted	B	4596,-	on request	on request
Access Ramp for Gas Cylinder Container GFC, hot-dip galvanized	B	157,-	22,-	179,-
GFC-2 (stud plate floor), painted	B	4665,-	on request	on request
Access Ramp for Gas Cylinder Container GFC, hot-dip galvanized	B	157,-	22,-	179,-

Prices in EUR, valid EXW DE-46354 Südlohn, DE-38820 Halberstadt, unpacked
 Freight charges valid CPT Great Britain, islands & the following post code areas excluded: IC, ZE

Price List 0424 en-GB

Environment / Storage



Gas Cylinder Containers Type GFC-B	Category	Price	Freight charges	Price including freight charges
GFC-B M0, painted	B	3290,-	1132,-	4422,-
Fixture with Safety Chain to Secure Gas Cylinders, hot-dip galvanized	B	69,-	12,-	81,-
GFC-B M1, painted	B	3815,-	1144,-	4959,-
Fixture with Safety Chain to Secure Gas Cylinders, hot-dip galvanized	B	69,-	12,-	81,-
GFC-B M2, painted	B	3974,-	1144,-	5118,-
Fixture with Safety Chain to Secure Gas Cylinders, hot-dip galvanized	B	69,-	12,-	81,-
Rack for Gas Cylinders Type GFG, galvanized	B	197,-	149,-	346,-
GFC-B M3, painted	B	4600,-	1144,-	5744,-
Fixture with Safety Chain to Secure Gas Cylinders, hot-dip galvanized	B	69,-	12,-	81,-
Rack for Gas Cylinders Type GFG, galvanized	B	197,-	149,-	346,-
GFC-B M4, painted	B	5173,-	1155,-	6328,-
Fixture with Safety Chain to Secure Gas Cylinders, hot-dip galvanized	B	69,-	12,-	81,-
Rack for Gas Cylinders Type GFG, galvanized	B	197,-	149,-	346,-
GFC-B M5, painted	B	7187,-	1155,-	8342,-
Fixture with Safety Chain to Secure Gas Cylinders, hot-dip galvanized	B	69,-	12,-	81,-
Rack for Gas Cylinders Type GFG, galvanized	B	197,-	149,-	346,-

Gas Cylinder Containers Type GFC-B/W	Category	Price	Freight charges	Price including freight charges
GFC-B/W M1, painted	B	4073,-	1144,-	5217,-
Fixture with Safety Chain to Secure Gas Cylinders, hot-dip galvanized	B	69,-	12,-	81,-
GFC-B/W M2, painted	B	4271,-	1144,-	5415,-
Fixture with Safety Chain to Secure Gas Cylinders, hot-dip galvanized	B	69,-	12,-	81,-
GFC-B/W M3, painted	B	4904,-	1144,-	6048,-
Fixture with Safety Chain to Secure Gas Cylinders, hot-dip galvanized	B	69,-	12,-	81,-
GFC-B/W M4, painted	B	5483,-	1155,-	6638,-
Fixture with Safety Chain to Secure Gas Cylinders, hot-dip galvanized	B	69,-	12,-	81,-
Rack for Gas Cylinders Type GFG, galvanized	B	197,-	149,-	346,-
GFC-B/W M5, painted	B	7578,-	1155,-	8733,-
Fixture with Safety Chain to Secure Gas Cylinders, hot-dip galvanized	B	69,-	12,-	81,-
Rack for Gas Cylinders Type GFG, galvanized	B	197,-	149,-	346,-

Gas Cylinder Containers Type GFC-E/G	Category	Price	Freight charges	Price including freight charges
GFC-E/G M0, hot-dip galvanized	B	1487,-	366,-	1853,-
Fixture with Safety Chain to Secure Gas Cylinders, hot-dip galvanized	B	38,-	12,-	50,-
GFC-E/G M1, hot-dip galvanized	B	2116,-	1144,-	3260,-
Fixture with Safety Chain to Secure Gas Cylinders, hot-dip galvanized	B	38,-	12,-	50,-
Rack for Gas Cylinders Type GFG, galvanized	B	197,-	149,-	346,-
Access Ramp AR, galvanized	B	157,-	22,-	179,-
Central Dividing Wall, galvanized	B	84,-	22,-	106,-
GFC-E/G M2, hot-dip galvanized	B	2319,-	1144,-	3463,-
Fixture with Safety Chain to Secure Gas Cylinders, hot-dip galvanized	B	38,-	12,-	50,-
Rack for Gas Cylinders Type GFG, galvanized	B	197,-	149,-	346,-
Access Ramp AR, galvanized	B	157,-	22,-	179,-
Central Dividing Wall, galvanized	B	124,-	32,-	156,-
GFC-E/G M3, hot-dip galvanized	B	2580,-	1144,-	3724,-

Prices in EUR, valid EXW DE-46354 Südlohn, DE-38820 Halberstadt, unpacked
 Freight charges valid CPT Great Britain, islands & the following post code areas excluded: IC, ZE

Price List 0424 en-GB

Environment / Storage



Gas Cylinder Containers Type GFC-E/G	Category	Price	Freight charges	Price including freight charges
Fixture with Safety Chain to Secure Gas Cylinders, hot-dip galvanized	B	38,-	12,-	50,-
Rack for Gas Cylinders Type GFG, galvanized	B	197,-	149,-	346,-
Access Ramp AR, galvanized	B	157,-	22,-	179,-
Central Dividing Wall, galvanized	B	124,-	32,-	156,-
GFC-E/G M4, hot-dip galvanized	B	2797,-	1155,-	3952,-
Fixture with Safety Chain to Secure Gas Cylinders, hot-dip galvanized	B	38,-	12,-	50,-
Rack for Gas Cylinders Type GFG, galvanized	B	197,-	149,-	346,-
Access Ramp AR, galvanized	B	157,-	22,-	179,-
Central Dividing Wall, galvanized	B	124,-	32,-	156,-
GFC-E/G M5, hot-dip galvanized	B	3465,-	1155,-	4620,-
Fixture with Safety Chain to Secure Gas Cylinders, hot-dip galvanized	B	38,-	12,-	50,-
Rack for Gas Cylinders Type GFG, galvanized	B	197,-	149,-	346,-
Access Ramp AR, galvanized	B	157,-	22,-	179,-
Central Dividing Wall, galvanized	B	184,-	40,-	224,-

Gas Cylinder Containers Type GFC-E/T	Category	Price	Freight charges	Price including freight charges
GFC-E/T M0, hot-dip galvanized	B	1507,-	366,-	1873,-
Fixture with Safety Chain to Secure Gas Cylinders, hot-dip galvanized	B	38,-	12,-	50,-
GFC-E/T M1, hot-dip galvanized	B	2153,-	1144,-	3297,-
Fixture with Safety Chain to Secure Gas Cylinders, hot-dip galvanized	B	38,-	12,-	50,-
Rack for Gas Cylinders Type GFG, galvanized	B	197,-	149,-	346,-
Access Ramp AR, galvanized	B	157,-	22,-	179,-
Central Dividing Wall, galvanized	B	84,-	22,-	106,-
GFC-E/T M2, hot-dip galvanized	B	2365,-	1144,-	3509,-
Fixture with Safety Chain to Secure Gas Cylinders, hot-dip galvanized	B	38,-	12,-	50,-
Rack for Gas Cylinders Type GFG, galvanized	B	197,-	149,-	346,-
Access Ramp AR, galvanized	B	157,-	22,-	179,-
Central Dividing Wall, galvanized	B	124,-	32,-	156,-
GFC-E/T M3, hot-dip galvanized	B	2644,-	1144,-	3788,-
Fixture with Safety Chain to Secure Gas Cylinders, hot-dip galvanized	B	38,-	12,-	50,-
Rack for Gas Cylinders Type GFG, galvanized	B	197,-	149,-	346,-
Access Ramp AR, galvanized	B	157,-	22,-	179,-
Central Dividing Wall, galvanized	B	124,-	32,-	156,-
GFC-E/T M4, hot-dip galvanized	B	2859,-	1155,-	4014,-
Fixture with Safety Chain to Secure Gas Cylinders, hot-dip galvanized	B	38,-	12,-	50,-
Rack for Gas Cylinders Type GFG, galvanized	B	197,-	149,-	346,-
Access Ramp AR, galvanized	B	157,-	22,-	179,-
Central Dividing Wall, galvanized	B	124,-	32,-	156,-
GFC-E/T M5, hot-dip galvanized	B	3553,-	1155,-	4708,-
Fixture with Safety Chain to Secure Gas Cylinders, hot-dip galvanized	B	38,-	12,-	50,-
Rack for Gas Cylinders Type GFG, galvanized	B	197,-	149,-	346,-
Access Ramp AR, galvanized	B	157,-	22,-	179,-
Central Dividing Wall, galvanized	B	184,-	40,-	224,-

Prices in EUR, valid EXW DE-46354 Südlohn, DE-38820 Halberstadt, unpacked
 Freight charges valid CPT Great Britain, islands & the following post code areas excluded: IC, ZE

Price List 0424 en-GB

Environment / Storage



Gas Cylinder Containers Type GFC-M/D	Category	Price	Freight charges	Price including freight charges
GFC-M0/D, hot-dip galvanized	B	993,-	263,-	1256,-
Grid Floor for Gas Cylinder Container GFC-M0, hot-dip galvanized	B	146,-	62,-	208,-
Fixture with Safety Chain to Secure Gas Cylinders, hot-dip galvanized	B	38,-	12,-	50,-
GFC-M1/D, hot-dip galvanized	B	1204,-	366,-	1570,-
Grid Floor for Gas Cylinder Container GFC-M1, hot-dip galvanized	B	264,-	149,-	413,-
Fixture with Safety Chain to Secure Gas Cylinders, hot-dip galvanized	B	38,-	12,-	50,-
Rack for Gas Cylinders Type GFG, galvanized	B	197,-	149,-	346,-
GFC-M2/D, hot-dip galvanized	B	1282,-	366,-	1648,-
Grid Floor for Gas Cylinder Container GFC-M2, hot-dip galvanized	B	362,-	149,-	511,-
Fixture with Safety Chain to Secure Gas Cylinders, hot-dip galvanized	B	38,-	12,-	50,-
Rack for Gas Cylinders Type GFG, galvanized	B	197,-	149,-	346,-
GFC-M3/D, hot-dip galvanized	B	1447,-	366,-	1813,-
Grid Floor for Gas Cylinder Container GFC-M3, hot-dip galvanized	B	492,-	228,-	720,-
Fixture with Safety Chain to Secure Gas Cylinders, hot-dip galvanized	B	38,-	12,-	50,-
Rack for Gas Cylinders Type GFG, galvanized	B	197,-	149,-	346,-
GFC-M4/D, hot-dip galvanized	B	1546,-	366,-	1912,-
Grid Floor for Gas Cylinder Container GFC-M4, hot-dip galvanized	B	605,-	228,-	833,-
Fixture with Safety Chain to Secure Gas Cylinders, hot-dip galvanized	B	38,-	12,-	50,-
Rack for Gas Cylinders Type GFG, galvanized	B	197,-	149,-	346,-
GFC-M5/D, hot-dip galvanized	B	1838,-	439,-	2277,-
Grid Floor for Gas Cylinder Container GFC-M5, hot-dip galvanized	B	739,-	228,-	967,-
Fixture with Safety Chain to Secure Gas Cylinders, hot-dip galvanized	B	38,-	12,-	50,-
Rack for Gas Cylinders Type GFG, galvanized	B	197,-	149,-	346,-
Gas Cylinder Containers Type GFC-M	Category	Price	Freight charges	Price including freight charges
GFC-M1, hot-dip galvanized	B	1063,-	263,-	1326,-
Grid Floor for Gas Cylinder Container GFC-M1, hot-dip galvanized	B	264,-	149,-	413,-
Fixture with Safety Chain to Secure Gas Cylinders, hot-dip galvanized	B	38,-	12,-	50,-
Rack for Gas Cylinders Type GFG, galvanized	B	197,-	149,-	346,-
GFC-M2, hot-dip galvanized	B	1129,-	366,-	1495,-
Grid Floor for Gas Cylinder Container GFC-M2, hot-dip galvanized	B	362,-	149,-	511,-
Fixture with Safety Chain to Secure Gas Cylinders, hot-dip galvanized	B	38,-	12,-	50,-
Rack for Gas Cylinders Type GFG, galvanized	B	197,-	149,-	346,-
GFC-M3, hot-dip galvanized	B	1267,-	366,-	1633,-
Grid Floor for Gas Cylinder Container GFC-M3, hot-dip galvanized	B	492,-	228,-	720,-
Fixture with Safety Chain to Secure Gas Cylinders, hot-dip galvanized	B	38,-	12,-	50,-
Rack for Gas Cylinders Type GFG, galvanized	B	197,-	149,-	346,-
GFC-M4, hot-dip galvanized	B	1333,-	366,-	1699,-
Grid Floor for Gas Cylinder Container GFC-M4, hot-dip galvanized	B	605,-	228,-	833,-
Fixture with Safety Chain to Secure Gas Cylinders, hot-dip galvanized	B	38,-	12,-	50,-
Rack for Gas Cylinders Type GFG, galvanized	B	197,-	149,-	346,-
GFC-M5, hot-dip galvanized	B	1547,-	366,-	1913,-
Grid Floor for Gas Cylinder Container GFC-M5, hot-dip galvanized	B	739,-	228,-	967,-
Fixture with Safety Chain to Secure Gas Cylinders, hot-dip galvanized	B	38,-	12,-	50,-
Rack for Gas Cylinders Type GFG, galvanized	B	197,-	149,-	346,-

Prices in EUR, valid EXW DE-46354 Südlohn, DE-38820 Halberstadt, unpacked
 Freight charges valid CPT Great Britain, islands & the following post code areas excluded: IC, ZE

Price List 0424 en-GB

Environment / Storage



Gas Cylinder Containers Type GFC-M/D-DF	Category	Price	Freight charges	Price including freight charges
GFC-M1/D-DF, hot-dip galvanized	B	1375,-	366,-	1741,-
Grid Floor for Gas Cylinder Container GFC-M1, hot-dip galvanized	B	264,-	149,-	413,-
Fixture with Safety Chain to Secure Gas Cylinders, hot-dip galvanized	B	38,-	12,-	50,-
Rack for Gas Cylinders Type GFG, galvanized	B	197,-	149,-	346,-
GFC-M2/D-DF, hot-dip galvanized	B	1452,-	366,-	1818,-
Grid Floor for Gas Cylinder Container GFC-M2, hot-dip galvanized	B	362,-	149,-	511,-
Fixture with Safety Chain to Secure Gas Cylinders, hot-dip galvanized	B	38,-	12,-	50,-
Rack for Gas Cylinders Type GFG, galvanized	B	197,-	149,-	346,-
GFC-M3/D-DF, hot-dip galvanized	B	1618,-	366,-	1984,-
Grid Floor for Gas Cylinder Container GFC-M3, hot-dip galvanized	B	492,-	228,-	720,-
Fixture with Safety Chain to Secure Gas Cylinders, hot-dip galvanized	B	38,-	12,-	50,-
Rack for Gas Cylinders Type GFG, galvanized	B	197,-	149,-	346,-
GFC-M4/D-DF, hot-dip galvanized	B	1748,-	439,-	2187,-
Grid Floor for Gas Cylinder Container GFC-M4, hot-dip galvanized	B	605,-	228,-	833,-
Fixture with Safety Chain to Secure Gas Cylinders, hot-dip galvanized	B	38,-	12,-	50,-
Rack for Gas Cylinders Type GFG, galvanized	B	197,-	149,-	346,-
GFC-M5/D-DF, hot-dip galvanized	B	2040,-	439,-	2479,-
Grid Floor for Gas Cylinder Container GFC-M5, hot-dip galvanized	B	739,-	228,-	967,-
Fixture with Safety Chain to Secure Gas Cylinders, hot-dip galvanized	B	38,-	12,-	50,-
Rack for Gas Cylinders Type GFG, galvanized	B	197,-	149,-	346,-
Gas Cylinder Containers Type GFC-M-DF	Category	Price	Freight charges	Price including freight charges
GFC-M1-DF, hot-dip galvanized	B	1232,-	263,-	1495,-
Grid Floor for Gas Cylinder Container GFC-M1, hot-dip galvanized	B	264,-	149,-	413,-
Fixture with Safety Chain to Secure Gas Cylinders, hot-dip galvanized	B	38,-	12,-	50,-
Rack for Gas Cylinders Type GFG, galvanized	B	197,-	149,-	346,-
GFC-M2-DF, hot-dip galvanized	B	1300,-	366,-	1666,-
Grid Floor for Gas Cylinder Container GFC-M2, hot-dip galvanized	B	362,-	149,-	511,-
Fixture with Safety Chain to Secure Gas Cylinders, hot-dip galvanized	B	38,-	12,-	50,-
Rack for Gas Cylinders Type GFG, galvanized	B	197,-	149,-	346,-
GFC-M3-DF, hot-dip galvanized	B	1439,-	366,-	1805,-
Grid Floor for Gas Cylinder Container GFC-M3, hot-dip galvanized	B	492,-	228,-	720,-
Fixture with Safety Chain to Secure Gas Cylinders, hot-dip galvanized	B	38,-	12,-	50,-
Rack for Gas Cylinders Type GFG, galvanized	B	197,-	149,-	346,-
GFC-M4-DF, hot-dip galvanized	B	1537,-	366,-	1903,-
Grid Floor for Gas Cylinder Container GFC-M4, hot-dip galvanized	B	605,-	228,-	833,-
Fixture with Safety Chain to Secure Gas Cylinders, hot-dip galvanized	B	38,-	12,-	50,-
Rack for Gas Cylinders Type GFG, galvanized	B	197,-	149,-	346,-
GFC-M5-DF, hot-dip galvanized	B	1750,-	439,-	2189,-
Grid Floor for Gas Cylinder Container GFC-M5, hot-dip galvanized	B	739,-	228,-	967,-
Fixture with Safety Chain to Secure Gas Cylinders, hot-dip galvanized	B	38,-	12,-	50,-
Rack for Gas Cylinders Type GFG, galvanized	B	197,-	149,-	346,-
Gas Cylinder Depot Type GFD-G	Category	Price	Freight charges	Price including freight charges
GFD-G 1, galvanized	B	414,-	263,-	677,-

Prices in EUR, valid EXW DE-46354 Südlohn, DE-38820 Halberstadt, unpacked
 Freight charges valid CPT Great Britain, islands & the following post code areas excluded: IC, ZE

Price List 0424 en-GB

Environment / Storage



Gas Cylinder Depot Type GFD-G	Category	Price	Freight charges	Price including freight charges
GFD-G 2, galvanized	B	763,-	263,-	1026,-
Gas Cylinder Depot Type GFD-L	Category	Price	Freight charges	Price including freight charges
GFD-L 1, galvanized	B	446,-	184,-	630,-
GFD-L 2, galvanized	B	850,-	263,-	1113,-
Gas Cylinder Depot Type GFD-R	Category	Price	Freight charges	Price including freight charges
GFD-R 2, painted	B	747,-	184,-	931,-
GFD-R 2, hot-dip galvanized	B	771,-	184,-	955,-
GFD-R 4, painted	B	849,-	184,-	1033,-
GFD-R 4, hot-dip galvanized	B	878,-	184,-	1062,-
Hazardous Materials Cabinet Type GS	Category	Price	Freight charges	Price including freight charges
GS-1, painted	B	762,-	263,-	1025,-
Intermediate Storage Level, galvanized	B	86,-	14,-	100,-
GS-1, hot-dip galvanized	B	820,-	263,-	1083,-
Intermediate Storage Level, galvanized	B	86,-	14,-	100,-
GS-2, painted	B	1013,-	366,-	1379,-
Intermediate Storage Level, galvanized	B	86,-	14,-	100,-
GS-2, hot-dip galvanized	B	1100,-	366,-	1466,-
Intermediate Storage Level, galvanized	B	86,-	14,-	100,-
GS-3, painted	B	2070,-	439,-	2509,-
GS-3, hot-dip galvanized	B	2217,-	439,-	2656,-
GS-4, painted	B	2081,-	1132,-	3213,-
GS-4, hot-dip galvanized	B	2260,-	1132,-	3392,-
Gas Cylinder Wall Bracket Type GWH	Category	Price	Freight charges	Price including freight charges
GWH 140-I, hot-dip galvanized	F	25,-	74,-	99,-
GWH 140-II, hot-dip galvanized	F	38,-	74,-	112,-
GWH 140-III, hot-dip galvanized	F	57,-	74,-	131,-
GWH 230-I, hot-dip galvanized	F	27,-	74,-	101,-
GWH 230-II, hot-dip galvanized	F	41,-	74,-	115,-
GWH 230-III, hot-dip galvanized	F	62,-	74,-	136,-
GWH 320-I, hot-dip galvanized	F	28,-	74,-	102,-
GWH 320-II, hot-dip galvanized	F	46,-	74,-	120,-
GWH 320-III, hot-dip galvanized	F	69,-	74,-	143,-
Tilting Canister Stand Type KAH	Category	Price	Freight charges	Price including freight charges
KAH-5, galvanized	A	92,-	74,-	166,-
KAH-25, galvanized	A	105,-	74,-	179,-
KAH-60, galvanized	A	135,-	74,-	209,-
Spill Tray for Canisters/Small Cans Type KGW	Category	Price	Freight charges	Price including freight charges
KGW 1, galvanized	B	88,-	74,-	162,-
KGW 1 V4A, stainless steel 1.4571	B	270,-	74,-	344,-

Prices in EUR, valid EXW DE-46354 Südlohn, DE-38820 Halberstadt, unpacked
 Freight charges valid CPT Great Britain, islands & the following post code areas excluded: IC, ZE

Price List 0424 en-GB

Environment / Storage



Spill Tray for Canisters/Small Cans Type KGW	Category	Price	Freight charges	Price including freight charges
KGW 2, galvanized	B	92,-	74,-	166,-
KGW 2 V4A, stainless steel 1.4571	B	311,-	74,-	385,-
KGW 3, galvanized	B	96,-	74,-	170,-
KGW 3 V4A, stainless steel 1.4571	B	386,-	74,-	460,-
KGW 4, galvanized	B	113,-	184,-	297,-
KGW 4 V4A, stainless steel 1.4571	B	456,-	184,-	640,-
KGW 5, galvanized	B	155,-	184,-	339,-
KGW 5 V4A, stainless steel 1.4571	B	593,-	184,-	777,-

Spill Tray for Canisters/Small Cans Type KGW/M	Category	Price	Freight charges	Price including freight charges
KGW 1/M, galvanized	B	124,-	74,-	198,-
KGW 1/M V4A, stainless steel 1.4571	B	406,-	74,-	480,-
KGW 2/M, galvanized	B	132,-	74,-	206,-
KGW 2/M V4A, stainless steel 1.4571	B	468,-	74,-	542,-
KGW 3/M, galvanized	B	151,-	74,-	225,-
KGW 3/M V4A, stainless steel 1.4571	B	589,-	74,-	663,-
KGW 4/M, galvanized	B	175,-	184,-	359,-
KGW 4/M V4A, stainless steel 1.4571	B	705,-	184,-	889,-
KGW 5/M, galvanized	B	227,-	184,-	411,-
KGW 5/M V4A, stainless steel 1.4571	B	929,-	184,-	1113,-

Spill Tray for Canisters/Small Cans on Pallets Type KGW-P	Category	Price	Freight charges	Price including freight charges
KGW-P 1, galvanized	B	94,-	74,-	168,-
KGW-P 1 V4A, stainless steel 1.4571	B	266,-	74,-	340,-
KGW-P 2, galvanized	B	142,-	74,-	216,-
KGW-P 2 V4A, stainless steel 1.4571	B	382,-	74,-	456,-
KGW-P 3, galvanized	B	178,-	184,-	362,-
KGW-P 3 V4A, stainless steel 1.4571	B	586,-	74,-	660,-
KGW-P 4, galvanized	B	169,-	74,-	243,-
KGW-P 4 V4A, stainless steel 1.4571	B	450,-	74,-	524,-

Spill Tray for Canisters/Small Cans on Pallets Type KGW-P/M	Category	Price	Freight charges	Price including freight charges
KGW-P 1/M, galvanized	B	137,-	74,-	211,-
KGW-P 1/M V4A, stainless steel 1.4571	B	385,-	74,-	459,-
KGW-P 2/M, galvanized	B	210,-	74,-	284,-
KGW-P 2/M V4A, stainless steel 1.4571	B	559,-	74,-	633,-
KGW-P 3/M, galvanized	B	256,-	184,-	440,-
KGW-P 3/M V4A, stainless steel 1.4571	B	864,-	184,-	1048,-
KGW-P 4/M, galvanized	B	241,-	74,-	315,-
KGW-P 4/M V4A, stainless steel 1.4571	B	694,-	74,-	768,-

Diesel Filling Point Type KPS	Category	Price	Freight charges	Price including freight charges
KPS 1, painted	B	2865,-	on request	on request
KPS 2, painted	B	3723,-	on request	on request
KPS 3, painted	B	5248,-	on request	on request

Prices in EUR, valid EXW DE-46354 Südlohn, DE-38820 Halberstadt, unpacked
 Freight charges valid CPT Great Britain, islands & the following post code areas excluded: IC, ZE

Price List 0424 en-GB

Environment / Storage



Polyethylene Sump Tray for Pallets Type KWP-P	Category	Price	Freight charges	Price including freight charges
KWP-P 20, made of robust polyethylene	B	46,-	74,-	120,-
Deck with Punched Holes LR-PE 20, robust polyethylene, black	B	61,-	14,-	75,-
KWP-P 30, made of robust polyethylene	B	56,-	74,-	130,-
Deck with Punched Holes LR-PE 30, robust polyethylene, black	B	63,-	14,-	77,-
KWP-P 40, made of robust polyethylene	B	62,-	74,-	136,-
Deck with Punched Holes LR-PE 40, robust polyethylene, black	B	67,-	14,-	81,-
KWP-P 60, made of robust polyethylene	B	99,-	74,-	173,-
Deck with punched holes LR-PE 60, robust polyethylene, black	B	70,-	14,-	84,-
KWP-P 100, made of robust polyethylene	B	113,-	184,-	297,-
Deck with punched holes LR-PE 100, robust polyethylene, black	B	86,-	16,-	102,-

Mobile Sump Tray with Perforated Panel Type LPW	Category	Price	Freight charges	Price including freight charges
LPW 60-1, painted	B	605,-	184,-	789,-
Tool Deposit for Sump Trays with Perforated Panel Type LPW	B	30,-	16,-	46,-
Drip Tray for Sump Trays with Perforated Panel Type LPW	B	48,-	16,-	64,-
LPW 60-1, hot-dip galvanized	B	623,-	184,-	807,-
Tool Deposit for Sump Trays with Perforated Panel Type LPW	B	30,-	16,-	46,-
Drip Tray for Sump Trays with Perforated Panel Type LPW	B	48,-	16,-	64,-
LPW 60-2, painted	B	618,-	184,-	802,-
Tool Deposit for Sump Trays with Perforated Panel Type LPW	B	30,-	16,-	46,-
Drip Tray for Sump Trays with Perforated Panel Type LPW	B	48,-	16,-	64,-
LPW 60-2, hot-dip galvanized	B	638,-	184,-	822,-
Tool Deposit for Sump Trays with Perforated Panel Type LPW	B	30,-	16,-	46,-
Drip Tray for Sump Trays with Perforated Panel Type LPW	B	48,-	16,-	64,-
LPW 60-3, painted	B	624,-	184,-	808,-
Tool Deposit for Sump Trays with Perforated Panel Type LPW	B	30,-	16,-	46,-
Drip Tray for Sump Trays with Perforated Panel Type LPW	B	48,-	16,-	64,-
LPW 60-3, hot-dip galvanized	B	644,-	184,-	828,-
Tool Deposit for Sump Trays with Perforated Panel Type LPW	B	30,-	16,-	46,-
Drip Tray for Sump Trays with Perforated Panel Type LPW	B	48,-	16,-	64,-
LPW 200-1, painted	B	794,-	263,-	1057,-
Tool Deposit for Sump Trays with Perforated Panel Type LPW	B	30,-	16,-	46,-
Drip Tray for Sump Trays with Perforated Panel Type LPW	B	48,-	16,-	64,-
LPW 200-1, hot-dip galvanized	B	827,-	263,-	1090,-
Tool Deposit for Sump Trays with Perforated Panel Type LPW	B	30,-	16,-	46,-
Drip Tray for Sump Trays with Perforated Panel Type LPW	B	48,-	16,-	64,-
LPW 200-2, painted	B	833,-	263,-	1096,-
Tool Deposit for Sump Trays with Perforated Panel Type LPW	B	30,-	16,-	46,-
Drip Tray for Sump Trays with Perforated Panel Type LPW	B	48,-	16,-	64,-
LPW 200-2, hot-dip galvanized	B	868,-	263,-	1131,-
Tool Deposit for Sump Trays with Perforated Panel Type LPW	B	30,-	16,-	46,-
Drip Tray for Sump Trays with Perforated Panel Type LPW	B	48,-	16,-	64,-
LPW 200-3, painted	B	848,-	263,-	1111,-
Tool Deposit for Sump Trays with Perforated Panel Type LPW	B	30,-	16,-	46,-
Drip Tray for Sump Trays with Perforated Panel Type LPW	B	48,-	16,-	64,-
LPW 200-3, hot-dip galvanized	B	883,-	263,-	1146,-

Prices in EUR, valid EXW DE-46354 Südlohn, DE-38820 Halberstadt, unpacked
 Freight charges valid CPT Great Britain, islands & the following post code areas excluded: IC, ZE

Price List 0424 en-GB

Environment / Storage



Mobile Sump Tray with Perforated Panel Type LPW	Category	Price	Freight charges	Price including freight charges
Tool Deposit for Sump Trays with Perforated Panel Type LPW	B	30,-	16,-	46,-
Drip Tray for Sump Trays with Perforated Panel Type LPW	B	48,-	16,-	64,-
LPW 200-4, painted	B	1019,-	263,-	1282,-
LPW 200-4, hot-dip galvanized	B	1049,-	263,-	1312,-

Modular Sump Tray Type MAW	Category	Price	Freight charges	Price including freight charges
MAW, painted	B	324,-	184,-	508,-
MAW, hot-dip galvanized	B	353,-	184,-	537,-
Element No. 1: grid grate incl. supportS, painted	B	75,-	54,-	129,-
Element No. 2: galvanized handle + castors	B	133,-	19,-	152,-
Element No. 3: runners, painted	B	99,-	15,-	114,-
Element No. 3: runners, hot-dip galvanized	B	63,-	15,-	78,-
Element No. 6: surround, galvanized	B	580,-	184,-	764,-

Spline Sump Type PW	Category	Price	Freight charges	Price including freight charges
PW 200-2, painted	B	236,-	184,-	420,-
PW 200-2, hot-dip galvanized	B	227,-	184,-	411,-
PW 200-4, painted	B	261,-	184,-	445,-
PW 200-4, hot-dip galvanized	B	252,-	184,-	436,-
PW 400-4, painted	B	337,-	184,-	521,-
PW 400-4, hot-dip galvanized	B	320,-	184,-	504,-

Spline Sump Type PWE	Category	Price	Freight charges	Price including freight charges
PWE 200-2, painted	B	209,-	184,-	393,-
PWE 200-2, hot-dip galvanized	B	200,-	184,-	384,-
PWE 200-4, painted	B	228,-	184,-	412,-
PWE 200-4, hot-dip galvanized	B	220,-	184,-	404,-
PWE 400-4, painted	B	278,-	184,-	462,-
PWE 400-4, hot-dip galvanized	B	268,-	184,-	452,-

Hazardous Materials Cabinet with Roller Shutter Door Type RSG	Category	Price	Freight charges	Price including freight charges
RSG-1, painted	B	1841,-	263,-	2104,-
Set of 4 Feet, height adjustable	B	77,-	9,-	86,-
RSG-2, painted	B	1855,-	263,-	2118,-
Set of 4 Feet, height adjustable	B	77,-	9,-	86,-
RSG-3, painted	B	1904,-	263,-	2167,-
Set of 4 Feet, height adjustable	B	77,-	9,-	86,-
RSG-4, painted	B	2037,-	366,-	2403,-
Set of 4 Feet, height adjustable	B	77,-	9,-	86,-

Shelf Sump with Polyethylene Inlay Type RW PE	Category	Price	Freight charges	Price including freight charges
RW 1800 PE, painted	B	1008,-	263,-	1271,-
RW 1800 PE, hot-dip galvanized	B	1062,-	263,-	1325,-
RW 2200-1 PE, painted	B	1052,-	263,-	1315,-
RW 2200-1 PE, hot-dip galvanized	B	1108,-	263,-	1371,-

Prices in EUR, valid EXW DE-46354 Südlohn, DE-38820 Halberstadt, unpacked
 Freight charges valid CPT Great Britain, islands & the following post code areas excluded: IC, ZE

Price List 0424 en-GB

Environment / Storage



Shelf Sump with Polyethylene Inlay Type RW PE	Category	Price	Freight charges	Price including freight charges
RW 2200-2 PE, painted	B	1232,-	263,-	1495,-
RW 2200-2 PE, hot-dip galvanized	B	1295,-	263,-	1558,-
RW 2700-1 PE, painted	B	1070,-	313,-	1383,-
RW 2700-1 PE, hot-dip galvanized	B	1151,-	313,-	1464,-
RW 2700-2 PE, painted	B	1223,-	313,-	1536,-
RW 2700-2 PE, hot-dip galvanized	B	1318,-	313,-	1631,-
RW 2700-3 PE, painted	B	1416,-	313,-	1729,-
RW 2700-3 PE, hot-dip galvanized	B	1538,-	313,-	1851,-
RW 3300-1 PE, painted	B	1369,-	313,-	1682,-
RW 3300-1 PE, hot-dip galvanized	B	1458,-	313,-	1771,-
RW 3300-2 PE, painted	B	1483,-	313,-	1796,-
RW 3300-2 PE, hot-dip galvanized	B	1581,-	313,-	1894,-
RW 3300-3 PE, painted	B	1679,-	416,-	2095,-
RW 3300-3 PE, hot-dip galvanized	B	1787,-	416,-	2203,-

Shelf Sump Type RW	Category	Price	Freight charges	Price including freight charges
RW 1800, painted	B	489,-	184,-	673,-
RW 1800, hot-dip galvanized	B	542,-	184,-	726,-
RW 2200-1, painted	B	501,-	184,-	685,-
RW 2200-1, hot-dip galvanized	B	557,-	184,-	741,-
RW 2200-2, painted	B	514,-	263,-	777,-
RW 2200-2, hot-dip galvanized	B	576,-	263,-	839,-
RW 2700-1, painted	B	510,-	313,-	823,-
RW 2700-1, hot-dip galvanized	B	590,-	313,-	903,-
RW 2700-2, painted	B	586,-	313,-	899,-
RW 2700-2, hot-dip galvanized	B	682,-	313,-	995,-
RW 2700-3, painted	B	634,-	313,-	947,-
RW 2700-3, hot-dip galvanized	B	754,-	313,-	1067,-
RW 3300-1, painted	B	657,-	313,-	970,-
RW 3300-1, hot-dip galvanized	B	747,-	313,-	1060,-
RW 3300-2, painted	B	722,-	313,-	1035,-
RW 3300-2, hot-dip galvanized	B	821,-	313,-	1134,-
RW 3300-3, painted	B	805,-	313,-	1118,-
RW 3300-3, hot-dip galvanized	B	913,-	313,-	1226,-

Shelf Sump with Polyethylene Inlay Type RW-GR PE	Category	Price	Freight charges	Price including freight charges
RW-GR 1800 PE, painted	B	1138,-	263,-	1401,-
RW-GR 1800 PE, hot-dip galvanized	B	1189,-	263,-	1452,-
RW-GR 2200-1 PE, painted	B	1212,-	263,-	1475,-
RW-GR 2200-1 PE, hot-dip galvanized	B	1268,-	263,-	1531,-
RW-GR 2200-2 PE, painted	B	1394,-	366,-	1760,-
RW-GR 2200-2 PE, hot-dip galvanized	B	1454,-	366,-	1820,-
RW-GR 2700-1 PE, painted	B	1268,-	416,-	1684,-
RW-GR 2700-1 PE, hot-dip galvanized	B	1347,-	416,-	1763,-
RW-GR 2700-2 PE, painted	B	1419,-	416,-	1835,-

Prices in EUR, valid EXW DE-46354 Südlohn, DE-38820 Halberstadt, unpacked
 Freight charges valid CPT Great Britain, islands & the following post code areas excluded: IC, ZE

Price List 0424 en-GB

Environment / Storage



Shelf Sump with Polyethylene Inlay Type RW-GR PE	Category	Price	Freight charges	Price including freight charges
RW-GR 2700-2 PE, hot-dip galvanized	B	1516,-	416,-	1932,-
RW-GR 2700-3 PE, painted	B	1614,-	416,-	2030,-
RW-GR 2700-3 PE, hot-dip galvanized	B	1715,-	416,-	2131,-
RW-GR 3300-1 PE, painted	B	1729,-	416,-	2145,-
RW-GR 3300-1 PE, hot-dip galvanized	B	1818,-	416,-	2234,-
RW-GR 3300-2 PE, painted	B	1841,-	416,-	2257,-
RW-GR 3300-2 PE, hot-dip galvanized	B	1949,-	416,-	2365,-
RW-GR 3300-3 PE, painted	B	2038,-	489,-	2527,-
RW-GR 3300-3 PE, hot-dip galvanized	B	2146,-	489,-	2635,-

Shelf Sump Type RW-GR	Category	Price	Freight charges	Price including freight charges
RW-GR 1800, painted	B	619,-	263,-	882,-
RW-GR 1800, hot-dip galvanized	B	672,-	263,-	935,-
RW-GR 2200-1, painted	B	662,-	263,-	925,-
RW-GR 2200-1, hot-dip galvanized	B	719,-	263,-	982,-
RW-GR 2200-2, painted	B	676,-	366,-	1042,-
RW-GR 2200-2, hot-dip galvanized	B	735,-	366,-	1101,-
RW-GR 2700-1, painted	B	707,-	313,-	1020,-
RW-GR 2700-1, hot-dip galvanized	B	787,-	416,-	1203,-
RW-GR 2700-2, painted	B	783,-	416,-	1199,-
RW-GR 2700-2, hot-dip galvanized	B	880,-	416,-	1296,-
RW-GR 2700-3, painted	B	831,-	416,-	1247,-
RW-GR 2700-3, hot-dip galvanized	B	933,-	416,-	1349,-
RW-GR 3300-1, painted	B	1016,-	416,-	1432,-
RW-GR 3300-1, hot-dip galvanized	B	1107,-	416,-	1523,-
RW-GR 3300-2, painted	B	1081,-	416,-	1497,-
RW-GR 3300-2, hot-dip galvanized	B	1188,-	416,-	1604,-
RW-GR 3300-3, painted	B	1165,-	416,-	1581,-
RW-GR 3300-3, hot-dip galvanized	B	1272,-	416,-	1688,-
RW-GR 3600-3, painted	B	1285,-	416,-	1701,-
RW-GR 3600-3, hot-dip galvanized	B	1432,-	416,-	1848,-

Safety Cabinet Type SIW	Category	Price	Freight charges	Price including freight charges
SIW 1005	B	575,-	184,-	759,-
SIW 2005	B	725,-	263,-	988,-

Diesel Filling Point Type TAW	Category	Price	Freight charges	Price including freight charges
TAW 1, painted	B	2365,-	on request	on request
TAW 2, painted	B	3086,-	on request	on request
TAW 3, painted	B	4447,-	on request	on request

Stainless Steel Sump Tray Type VAW	Category	Price	Freight charges	Price including freight charges
VAW-1, stainless steel 1.4571	B	956,-	184,-	1140,-
Grid, stainless steel 1.4571	B	477,-	14,-	491,-
Grid, hot-dip galvanized	B	68,-	14,-	82,-

Prices in EUR, valid EXW DE-46354 Südlohn, DE-38820 Halberstadt, unpacked
 Freight charges valid CPT Great Britain, islands & the following post code areas excluded: IC, ZE

Price List 0424 en-GB

Environment / Storage



Stainless Steel Sump Tray Type VAW	Category	Price	Freight charges	Price including freight charges
VAW-2, stainless steel 1.4571	B	1042,-	184,-	1226,-
Grid, stainless steel 1.4571	B	706,-	16,-	722,-
Grid, hot-dip galvanized	B	91,-	39,-	130,-
VAW-4/A, stainless steel 1.4571	B	1194,-	184,-	1378,-
Grid, stainless steel 1.4571	B	1025,-	22,-	1047,-
Grid, hot-dip galvanized	B	119,-	22,-	141,-
VAW-4/B, stainless steel 1.4571	B	1459,-	184,-	1643,-
Grid, stainless steel 1.4571	B	1411,-	27,-	1438,-
Grid, hot-dip galvanized	B	163,-	27,-	190,-
VAW 1000, stainless steel 1.4571	B	2633,-	263,-	2896,-
Grid, stainless steel 1.4571	B	1143,-	28,-	1171,-
Grid, hot-dip galvanized	B	138,-	28,-	166,-
VAW 1000-2, stainless steel 1.4571	B	3216,-	313,-	3529,-
Grid, stainless steel 1.4571	B	2070,-	149,-	2219,-
Grid, hot-dip galvanized	B	224,-	149,-	373,-

Heating Chamber Type WK	Category	Price	Freight charges	Price including freight charges
WK 29-2 E65, painted	C	29650,-	on request	on request
WK 29-2 E85, painted	C	29815,-	on request	on request
WK 57-2 E65, painted	C	41623,-	on request	on request
WK 57-2 E85, painted	C	44000,-	on request	on request

Sump Tray Type WM	Category	Price	Freight charges	Price including freight charges
WM-2/200, hot-dip galvanized	B	280,-	184,-	464,-
Drum Support FA 60-1, hot-dip galvanized	B	105,-	15,-	120,-
Drum Support FA 60-2, hot-dip galvanized	B	114,-	18,-	132,-
Drum Support FA 60-3, hot-dip galvanized	B	133,-	21,-	154,-
Drum Support FA 200-1, hot-dip galvanized	B	114,-	15,-	129,-
Can Shelf Type GR-A, galvanized	B	133,-	39,-	172,-
Can Shelf Type GR-B, galvanized	B	133,-	39,-	172,-
Can Shelf Type GR-C, galvanized	B	133,-	39,-	172,-
WM-4/200, hot-dip galvanized	B	318,-	184,-	502,-
Drum Support FA 60-1, hot-dip galvanized	B	105,-	15,-	120,-
Drum Support FA 60-2, hot-dip galvanized	B	114,-	18,-	132,-
Drum Support FA 60-3, hot-dip galvanized	B	133,-	21,-	154,-
Drum Support FA 200-1, hot-dip galvanized	B	114,-	15,-	129,-
Drum Support FA 200-2, hot-dip galvanized	B	133,-	22,-	155,-
Can Shelf Type GR-A, galvanized	B	133,-	39,-	172,-
Can Shelf Type GR-B, galvanized	B	133,-	39,-	172,-
Can Shelf Type GR-C, galvanized	B	133,-	39,-	172,-
WM-4/400, hot-dip galvanized	B	382,-	263,-	645,-

Sump Tray Type WO	Category	Price	Freight charges	Price including freight charges
WO-2/200, hot-dip galvanized	B	213,-	184,-	397,-
WO-4/200, hot-dip galvanized	B	231,-	184,-	415,-

Prices in EUR, valid EXW DE-46354 Südlohn, DE-38820 Halberstadt, unpacked
 Freight charges valid CPT Great Britain, islands & the following post code areas excluded: IC, ZE

Price List 0424 en-GB

Environment / Storage



Sump Tray Type WO	Category	Price	Freight charges	Price including freight charges
WO-4/400, hot-dip galvanized	B	298,-	184,-	482,-
Polyethylene Sump Pallet Type WP	Category	Price	Freight charges	Price including freight charges
WP 1/11, made of robust polyethylene	B	1052,-	184,-	1236,-
WP 2/11, made of robust polyethylene	B	1330,-	184,-	1514,-
Dispensing Tray VB 2, robust polyethylene, blue	B	152,-	39,-	191,-
Polyethylene Sump Pallet Type WPA-PE	Category	Price	Freight charges	Price including freight charges
WPA-PE 2/2, made of robust polyethylene	B	313,-	184,-	497,-
WPA-PE 4/2, made of robust polyethylene	B	494,-	184,-	678,-
Polyethylene Sump Pallet Type WP-PE	Category	Price	Freight charges	Price including freight charges
WP-PE 1/11, made of robust polyethylene	B	1139,-	184,-	1323,-
Dispensing Tray VB 1, robust polyethylene, blue	B	163,-	39,-	202,-
WP-PE 2/11, made of robust polyethylene	B	1507,-	313,-	1820,-
Dispensing Tray VB 2, robust polyethylene, blue	B	152,-	39,-	191,-
WP-PE 2/2, made of robust polyethylene	B	290,-	184,-	474,-
WP-PE 4/2, made of robust polyethylene	B	453,-	184,-	637,-
WP-PE 4/4, made of robust polyethylene	B	470,-	184,-	654,-
WP-PE 8/11, made of robust polyethylene	B	1507,-	313,-	1820,-
Mobile Polyethylene Sump Tray Type WPT	Category	Price	Freight charges	Price including freight charges
WPT 230, made of robust polyethylene	B	519,-	184,-	703,-

Prices in EUR, valid EXW DE-46354 Südlohn, DE-38820 Halberstadt, unpacked
 Freight charges valid CPT Great Britain, islands & the following post code areas excluded: IC, ZE

Prijzlist 0424 en-GB

Hazardous Materials Containers

Fluorescent Tube Box Type AL-D	Category	Price	Freight charges	Price including freight charges
AL-D 150, aluminium	C	500,-	184,-	684,-
AL-D 200, aluminium	C	551,-	184,-	735,-
Collecting Container Type ASB	Category	Price	Freight charges	Price including freight charges
ASB 250, hot-dip galvanized	C	1969,-	366,-	2335,-
ASB 450-I, hot-dip galvanized	C	2082,-	366,-	2448,-
Special Waste Container Type ASK	Category	Price	Freight charges	Price including freight charges
ASK 540-4, hot-dip galvanized	C	on request	on request	on request
Duo-Container Type DC	Category	Price	Freight charges	Price including freight charges
DC 450, hot-dip galvanized	C	2267,-	on request	on request
Stainless steel strainer	D	113,-	9,-	122,-
Wing nut spanner for M12, hot-dip galvanized	F	33,-	15,-	48,-
DC 1000, hot-dip galvanized	C	2408,-	on request	on request
Stainless steel strainer	D	113,-	9,-	122,-
Wing nut spanner for M12, hot-dip galvanized	F	33,-	15,-	48,-
Lithium-Ion Storage Container Type LIL	Category	Price	Freight charges	Price including freight charges
LIL 30, hot-dip galvanized	B	1871,-	184,-	2055,-
LIL 90, hot-dip galvanized	B	2720,-	263,-	2983,-
Castor Set, polyamide, Load capacity 1050 kg / castor set	A	150,-	15,-	165,-
LIL 220, hot-dip galvanized	B	4699,-	366,-	5065,-
Castor Set, polyamide, Load capacity 1050 kg / castor set	A	150,-	15,-	165,-
LIL 280, hot-dip galvanized	B	5685,-	366,-	6051,-
Castor Set, polyamide, Load capacity 1050 kg / castor set	A	150,-	15,-	165,-
MobiCont Type M 800	Category	Price	Freight charges	Price including freight charges
M 800, painted	C	1342,-	366,-	1708,-
Level Indicator	C	212,-	9,-	221,-
Funnel for filling, PP	D	65,-	9,-	74,-
Filling/Extraction lid	C	65,-	9,-	74,-
Lid, galvanized, without a lock	C	188,-	15,-	203,-
Lid, galvanized, with square lock	C	233,-	18,-	251,-
Lid, galvanized, with cylinder lock	C	233,-	18,-	251,-
Castor Set, polyamide, Load capacity 1350 kg / castor set	A	185,-	15,-	200,-
Hand Pump K 10 C, connects to drum thread, suitable for fuels and heating fuel	C	91,-	14,-	105,-
Hose Kit (1.5 m) for Hand Pump Type K 10 C, suitable for diesel and fuel	C	65,-	14,-	79,-
Hose Kit (3 m) for Hand Pump Type K 10 C, suitable for diesel and fuel	C	92,-	15,-	107,-
Hose Kit (4 m) for Hand Pump Type K 10 C, suitable for diesel and fuel	C	105,-	15,-	120,-
Electric Pump TecPump 400 DC 12V	C	492,-	15,-	507,-

Prices in EUR, valid EXW DE-46354 Südlohn, DE-38820 Halberstadt, unpacked
 Freight charges valid CPT Great Britain, islands & the following post code areas excluded: IC, ZE

Price List 0424 en-GB

Hazardous Materials Containers



MobiCont Type M 800	Category	Price	Freight charges	Price including freight charges
Electric Pump TecPump 400 DC 24V	C	492,-	15,-	507,-
Electric Pump TecPump 600 AC 230V	C	492,-	15,-	507,-
M 800, hot-dip galvanized	C	1432,-	366,-	1798,-
Level Indicator	C	212,-	9,-	221,-
Funnel for filling, PP	D	65,-	9,-	74,-
Filling/Extraction lid	C	65,-	9,-	74,-
Lid, galvanized, without a lock	C	188,-	15,-	203,-
Lid, galvanized, with square lock	C	233,-	18,-	251,-
Lid, galvanized, with cylinder lock	C	233,-	18,-	251,-
Castor Set, polyamide, Load capacity 1350 kg / castor set	A	185,-	15,-	200,-
Hand Pump K 10 C, connects to drum thread, suitable for fuels and heating fuel	C	91,-	14,-	105,-
Hose Kit (1.5 m) for Hand Pump Type K 10 C, suitable for diesel and fuel	C	65,-	14,-	79,-
Hose Kit (3 m) for Hand Pump Type K 10 C, suitable for diesel and fuel	C	92,-	15,-	107,-
Hose Kit (4 m) for Hand Pump Type K 10 C, suitable for diesel and fuel	C	105,-	15,-	120,-
Electric Pump TecPump 400 DC 12V	C	492,-	15,-	507,-
Electric Pump TecPump 400 DC 24V	C	492,-	15,-	507,-
Electric Pump TecPump 600 AC 230V	C	492,-	15,-	507,-

MobiCont Type MD	Category	Price	Freight charges	Price including freight charges
MD 800, painted	C	1868,-	366,-	2234,-
Level Indicator	C	212,-	9,-	221,-
Hand Pump K 10 C, connects to drum thread, suitable for fuels and heating fuel	C	91,-	14,-	105,-
Hose Kit (1.5 m) for Hand Pump Type K 10 C, suitable for diesel and fuel	C	65,-	14,-	79,-
Hose Kit (3 m) for Hand Pump Type K 10 C, suitable for diesel and fuel	C	92,-	15,-	107,-
Hose Kit (4 m) for Hand Pump Type K 10 C, suitable for diesel and fuel	C	105,-	15,-	120,-
Electric Pump TecPump 400 DC 12V	C	492,-	15,-	507,-
Electric Pump TecPump 400 DC 24V	C	492,-	15,-	507,-
Electric Pump TecPump 600 AC 230V	C	492,-	15,-	507,-
MD 800, hot-dip galvanized	C	1956,-	366,-	2322,-
Level Indicator	C	212,-	9,-	221,-
Hand Pump K 10 C, connects to drum thread, suitable for fuels and heating fuel	C	91,-	14,-	105,-
Hose Kit (1.5 m) for Hand Pump Type K 10 C, suitable for diesel and fuel	C	65,-	14,-	79,-
Hose Kit (3 m) for Hand Pump Type K 10 C, suitable for diesel and fuel	C	92,-	15,-	107,-
Hose Kit (4 m) for Hand Pump Type K 10 C, suitable for diesel and fuel	C	105,-	15,-	120,-
Electric Pump TecPump 400 DC 12V	C	492,-	15,-	507,-
Electric Pump TecPump 400 DC 24V	C	492,-	15,-	507,-
Electric Pump TecPump 600 AC 230V	C	492,-	15,-	507,-

MobiCont Type MO	Category	Price	Freight charges	Price including freight charges
MO 800, painted	C	on request	on request	on request
Level Indicator	C	212,-	9,-	221,-
MO 800, hot-dip galvanized	C	on request	on request	on request
Level Indicator	C	212,-	9,-	221,-

Prices in EUR, valid EXW DE-46354 Südlohn, DE-38820 Halberstadt, unpacked
 Freight charges valid CPT Great Britain, islands & the following post code areas excluded: IC, ZE

Price List 0424 en-GB

Hazardous Materials Containers



Fuel Container Type MT	Category	Price	Freight charges	Price including freight charges
MT 450, hot-dip galvanized	C	2147,-	366,-	2513,-
Level Indicator	C	212,-	9,-	221,-
Hand Pump K 10 C, connects to drum thread, suitable for fuels and heating fuel	C	91,-	14,-	105,-
Digital Flow Counter FMT 3 with screwed joints	C	309,-	9,-	318,-
Electric Pump TecPump 400 DC 12V	C	492,-	12,-	504,-
Electric Pump TecPump 400 DC 24V	C	492,-	12,-	504,-
Electric Pump TecPump 600 AC 230V	C	492,-	12,-	504,-
Counter Z 400, Retrofit Kit for Electric Pumps TecPump 400 DC 12V, 400 DC 24V and 600 AC 230V	C	153,-	9,-	162,-
MT 600, hot-dip galvanized	C	2554,-	366,-	2920,-
Level Indicator	C	212,-	9,-	221,-
Hand Pump K 10 C, connects to drum thread, suitable for fuels and heating fuel	C	91,-	14,-	105,-
Digital Flow Counter FMT 3 with screwed joints	C	309,-	9,-	318,-
Electric Pump TecPump 400 DC 12V	C	492,-	12,-	504,-
Electric Pump TecPump 400 DC 24V	C	492,-	12,-	504,-
Electric Pump TecPump 600 AC 230V	C	492,-	12,-	504,-
Counter Z 400, Retrofit Kit for Electric Pumps TecPump 400 DC 12V, 400 DC 24V and 600 AC 230V	C	153,-	9,-	162,-
MT 1000, hot-dip galvanized	C	2761,-	439,-	3200,-
Level Indicator	C	212,-	9,-	221,-
Hand Pump K 10 C, connects to drum thread, suitable for fuels and heating fuel	C	91,-	14,-	105,-
Digital Flow Counter FMT 3 with screwed joints	C	309,-	9,-	318,-
Electric Pump TecPump 400 DC 12V	C	492,-	12,-	504,-
Electric Pump TecPump 400 DC 24V	C	492,-	12,-	504,-
Electric Pump TecPump 600 AC 230V	C	492,-	12,-	504,-
Counter Z 400, Retrofit Kit for Electric Pumps TecPump 400 DC 12V, 400 DC 24V and 600 AC 230V	C	153,-	9,-	162,-

MobiCont Type MW	Category	Price	Freight charges	Price including freight charges
MW 800, painted	C	1722,-	366,-	2088,-
Level Indicator	C	212,-	9,-	221,-
Filling coupling	C	51,-	8,-	59,-
Tank heating, 220 W	C	371,-	12,-	383,-
Tank fitting	B	64,-	9,-	73,-
Anti-siphon valve	D	68,-	8,-	76,-
Aeration/Vent valve	C	26,-	8,-	34,-
MW 800, hot-dip galvanized	C	1813,-	366,-	2179,-
Level Indicator	C	212,-	9,-	221,-
Filling coupling	C	51,-	8,-	59,-
Tank heating, 220 W	C	371,-	12,-	383,-
Tank fitting	B	64,-	9,-	73,-
Anti-siphon valve	D	68,-	8,-	76,-
Aeration/Vent valve	C	26,-	8,-	34,-

Special Waste Container Type SAF	Category	Price	Freight charges	Price including freight charges
SAF 450, hot-dip galvanized	C	on request	on request	on request
SAF 600, hot-dip galvanized	C	on request	on request	on request
SAF 1000, hot-dip galvanized	C	on request	on request	on request

Prices in EUR, valid EXW DE-46354 Südlohn, DE-38820 Halberstadt, unpacked
 Freight charges valid CPT Great Britain, islands & the following post code areas excluded: IC, ZE

Price List 0424 en-GB

Hazardous Materials Containers



Large Salvage Packaging Type SAG	Category	Price	Freight charges	Price including freight charges
SAG 800, hot-dip galvanized	C	1102,-	366,-	1468,-
SAG 1500, hot-dip galvanized	C	2078,-	on request	on request
Polyethylene sacks, 25 pieces on roll	C	180,-	74,-	254,-
SAG 2100, hot-dip galvanized	C	2180,-	on request	on request
Polyethylene sacks, 25 pieces on roll	C	180,-	74,-	254,-
SAG 2700, hot-dip galvanized	C	2252,-	on request	on request
Polyethylene sacks, 25 pieces on roll	C	180,-	74,-	254,-
Special Waste Container Type SAP	Category	Price	Freight charges	Price including freight charges
SAP 450, hot-dip galvanized	C	on request	on request	on request
Polyethylene sacks, 50 pieces on roll - 0,085 mm	C	134,-	94,-	228,-
SAP 600, hot-dip galvanized	C	on request	on request	on request
Polyethylene sacks, 50 pieces on roll - 0,085 mm	C	134,-	94,-	228,-
SAP 800, hot-dip galvanized	C	on request	on request	on request
Polyethylene sacks, 50 pieces on roll - 0,085 mm	C	134,-	94,-	228,-
Special Waste Container Type SAP-1	Category	Price	Freight charges	Price including freight charges
SAP 450-1, hot-dip galvanized	C	on request	on request	on request
Polyethylene sacks, 50 pieces on roll - 0,085 mm	C	134,-	94,-	228,-
SAP 600-1, hot-dip galvanized	C	on request	on request	on request
Polyethylene sacks, 50 pieces on roll - 0,085 mm	C	134,-	94,-	228,-
SAP 800-1, hot-dip galvanized	C	on request	on request	on request
Polyethylene sacks, 50 pieces on roll - 0,085 mm	C	134,-	94,-	228,-
SAP 800-3, hot-dip galvanized	C	on request	on request	on request
Polyethylene sacks, 50 pieces on roll - 0,085 mm	C	134,-	94,-	228,-
Used Battery Container Type SAP 600 K	Category	Price	Freight charges	Price including freight charges
SAP 600 K, hot-dip galvanized	C	on request	on request	on request
Used Battery Container Type SAP 601 K	Category	Price	Freight charges	Price including freight charges
SAP 601 K, hot-dip galvanized	C	on request	on request	on request
Special Waste Container Type SAS	Category	Price	Freight charges	Price including freight charges
SAS 800, hot-dip galvanized	C	on request	on request	on request
Hazardous Materials Container Type SF	Category	Price	Freight charges	Price including freight charges
SF 240, hot-dip galvanized	C	on request	on request	on request
Fluorescent Tube Box Type SL	Category	Price	Freight charges	Price including freight charges
SL 150, painted	C	664,-	263,-	927,-
SL 150, hot-dip galvanized	C	794,-	263,-	1057,-
SL 200, painted	C	740,-	263,-	1003,-
SL 200, hot-dip galvanized	C	871,-	366,-	1237,-

Prices in EUR, valid EXW DE-46354 Südlohn, DE-38820 Halberstadt, unpacked
 Freight charges valid CPT Great Britain, islands & the following post code areas excluded: IC, ZE

Price List 0424 en-GB

Hazardous Materials Containers



Fluorescent Tube Box Type SL-D	Category	Price	Freight charges	Price including freight charges
SL-D 150, painted	C	731,-	263,-	994,-
Removable Tray, galvanized	C	84,-	10,-	94,-
SL-D 150, hot-dip galvanized	C	850,-	263,-	1113,-
Removable Tray, galvanized	C	84,-	10,-	94,-
SL-D 200, painted	C	808,-	263,-	1071,-
Removable Tray, galvanized	C	84,-	10,-	94,-
SL-D 200, hot-dip galvanized	C	940,-	263,-	1203,-
Removable Tray, galvanized	C	84,-	10,-	94,-
Fluorescent Tube Box Type SL-N	Category	Price	Freight charges	Price including freight charges
SL-N 220, painted	C	831,-	263,-	1094,-
SL-N 220, hot-dip galvanized	C	969,-	263,-	1232,-
Special Waste Container Type SP	Category	Price	Freight charges	Price including freight charges
SP 100, hot-dip galvanized	C	on request	on request	on request
SP 240, hot-dip galvanized	C	on request	on request	on request
Transport Box for Aerosol Cans Type STB	Category	Price	Freight charges	Price including freight charges
STB 1000, hot-dip galvanized	C	on request	on request	on request
Polyethylene sacks, 50 pieces on roll	C	185,-	94,-	279,-
Absorbent felt, 100 pieces	C	353,-	74,-	427,-

Prices in EUR, valid EXW DE-46354 Südlohn, DE-38820 Halberstadt, unpacked
 Freight charges valid CPT Great Britain, islands & the following post code areas excluded: IC, ZE