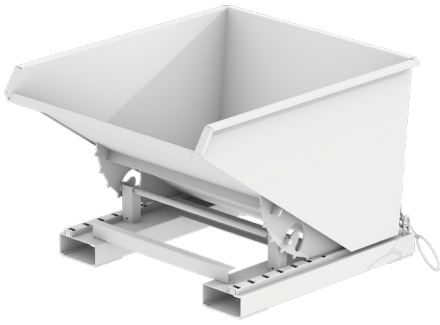


...made by



PRICE LIST 0424 EN-IT

FORKLIFT TRUCK ATTACHMENTS

WORKSPACE MATERIAL HANDLING

ENVIRONMENT / STORAGE

HAZARDOUS MATERIALS CONTAINERS

INNOVATION – CONSTRUCTION – PRODUCTION

... for more than 55 years

Price List 0424 en-IT Forklift Truck Attachments

Drum Gripper Type 3P	Category	Price	Freight charges	Price including freight charges
3P, painted	B	910,-	117,-	1027,-
3P, hot-dip galvanized	B	956,-	117,-	1073,-

Tilting Container Type 3S	Category	Price	Freight charges	Price including freight charges
3S 300, painted	A	1201,-	186,-	1387,-
Lid, galvanized	A	168,-	18,-	186,-
Castor Set, polyamide, Load capacity 1050 kg / castor set	A	131,-	15,-	146,-
3S 300, hot-dip galvanized	A	1296,-	273,-	1569,-
Lid, galvanized	A	168,-	18,-	186,-
Castor Set, polyamide, Load capacity 1050 kg / castor set	A	131,-	15,-	146,-
3S 600, painted	A	1256,-	273,-	1529,-
Lid, galvanized	A	189,-	22,-	211,-
Castor Set, polyamide, Load capacity 1050 kg / castor set	A	131,-	15,-	146,-
3S 600, hot-dip galvanized	A	1354,-	273,-	1627,-
Lid, galvanized	A	189,-	22,-	211,-
Castor Set, polyamide, Load capacity 1050 kg / castor set	A	131,-	15,-	146,-

Automatic Tilting Container Type 4A	Category	Price	Freight charges	Price including freight charges
4A 600, painted	A	1065,-	186,-	1251,-
Lid, galvanized	A	189,-	22,-	211,-
Skip Body Welded Oil and Watertight	A	75,-	0,-	75,-
4A 600, hot-dip galvanized	A	1207,-	186,-	1393,-
Lid, galvanized	A	189,-	22,-	211,-
Skip Body Welded Oil and Watertight	A	75,-	0,-	75,-
4A 900, painted	A	1197,-	273,-	1470,-
Lid, galvanized	A	215,-	27,-	242,-
Skip Body Welded Oil and Watertight	A	75,-	0,-	75,-
4A 900, hot-dip galvanized	A	1375,-	273,-	1648,-
Lid, galvanized	A	215,-	27,-	242,-
Skip Body Welded Oil and Watertight	A	75,-	0,-	75,-
4A 1200, painted	A	1282,-	273,-	1555,-
Lid, galvanized	A	215,-	26,-	241,-
Skip Body Welded Oil and Watertight	A	116,-	0,-	116,-
4A 1200, hot-dip galvanized	A	1505,-	273,-	1778,-
Lid, galvanized	A	215,-	26,-	241,-
Skip Body Welded Oil and Watertight	A	116,-	0,-	116,-

Drum Gripper Type 4P	Category	Price	Freight charges	Price including freight charges
4P, painted	B	558,-	50,-	608,-
4P, hot-dip galvanized	B	532,-	50,-	582,-

Prices in EUR, valid EXW DE-46354 Südlohn, DE-38820 Halberstadt, unpacked
Freight charges valid CPT Italy, islands and oversea territories excluded

Price List 0424 en-IT

Forklift Truck Attachments



Drum Gripper Type 4P-D	Category	Price	Freight charges	Price including freight charges
4P-D120, painted	B	558,-	50,-	608,-
4P-D120, hot-dip galvanized	B	532,-	50,-	582,-
4P-D220, painted	B	558,-	50,-	608,-
4P-D220, hot-dip galvanized	B	532,-	50,-	582,-

Tilting Container Type AK	Category	Price	Freight charges	Price including freight charges
AK 50, painted	A	774,-	186,-	960,-
Lid, galvanized	A	135,-	16,-	151,-
Castor Set, polyamide, Load capacity 1050 kg / castor set	A	131,-	15,-	146,-
Skip Body Welded Oil and Watertight	A	75,-	0,-	75,-
AK 50, hot-dip galvanized	A	923,-	186,-	1109,-
Lid, galvanized	A	135,-	16,-	151,-
Castor Set, polyamide, Load capacity 1050 kg / castor set	A	131,-	15,-	146,-
Skip Body Welded Oil and Watertight	A	75,-	0,-	75,-
AK 75, painted	A	866,-	186,-	1052,-
Lid, galvanized	A	185,-	21,-	206,-
Castor Set, polyamide, Load capacity 1050 kg / castor set	A	131,-	15,-	146,-
Skip Body Welded Oil and Watertight	A	75,-	0,-	75,-
AK 75, hot-dip galvanized	A	1012,-	273,-	1285,-
Lid, galvanized	A	185,-	21,-	206,-
Castor Set, polyamide, Load capacity 1050 kg / castor set	A	131,-	15,-	146,-
Skip Body Welded Oil and Watertight	A	75,-	0,-	75,-
AK 100, painted	A	937,-	273,-	1210,-
Lid, galvanized	A	210,-	26,-	236,-
Castor Set, polyamide, Load capacity 1050 kg / castor set	A	131,-	15,-	146,-
Skip Body Welded Oil and Watertight	A	116,-	0,-	116,-
AK 100, hot-dip galvanized	A	1094,-	273,-	1367,-
Lid, galvanized	A	210,-	26,-	236,-
Castor Set, polyamide, Load capacity 1050 kg / castor set	A	131,-	15,-	146,-
Skip Body Welded Oil and Watertight	A	116,-	0,-	116,-
AK 150, painted	A	1196,-	273,-	1469,-
Lid, galvanized	A	294,-	28,-	322,-
Castor Set, polyamide, Load capacity 1050 kg / castor set	A	131,-	15,-	146,-
Skip Body Welded Oil and Watertight	A	116,-	0,-	116,-
AK 150, hot-dip galvanized	A	1399,-	273,-	1672,-
Lid, galvanized	A	294,-	28,-	322,-
Castor Set, polyamide, Load capacity 1050 kg / castor set	A	131,-	15,-	146,-
Skip Body Welded Oil and Watertight	A	116,-	0,-	116,-

Container for Building Materials Type BBG	Category	Price	Freight charges	Price including freight charges
BBG 100, painted	A	391,-	186,-	577,-
Lid, galvanized	A	182,-	117,-	299,-
BBG 100, hot-dip galvanized	A	479,-	186,-	665,-
Lid, galvanized	A	182,-	117,-	299,-

Prices in EUR, valid EXW DE-46354 Südlohn, DE-38820 Halberstadt, unpacked
 Freight charges valid CPT Italy, islands and oversea territories excluded

Price List 0424 en-IT

Forklift Truck Attachments



Container for Building Materials Type BBK	Category	Price	Freight charges	Price including freight charges
BBK 100, painted	A	479,-	186,-	665,-
Lid, galvanized	A	182,-	117,-	299,-
BBK 100, hot-dip galvanized	A	551,-	186,-	737,-
Lid, galvanized	A	182,-	117,-	299,-
Material Container Type BBM	Category	Price	Freight charges	Price including freight charges
BBM 500, painted	A	314,-	117,-	431,-
BBM 500, hot-dip galvanized	A	346,-	117,-	463,-
Container for Building Materials Type BBP	Category	Price	Freight charges	Price including freight charges
BBP 100, painted	A	418,-	117,-	535,-
Lid, galvanized	A	182,-	117,-	299,-
Pick-up cones (pins) and angle iron traverse lock	A	49,-	10,-	59,-
BBP 100, hot-dip galvanized	A	493,-	117,-	610,-
Lid, galvanized	A	182,-	117,-	299,-
Pick-up cones (pins) and angle iron traverse lock	A	49,-	10,-	59,-
Tilting Traverse for Containers for Building Material Containers Type BBT	Category	Price	Freight charges	Price including freight charges
BBT, painted	A	551,-	186,-	737,-
BBT, hot-dip galvanized	A	627,-	186,-	813,-
Building Materials Container Type BC	Category	Price	Freight charges	Price including freight charges
BC 500, painted	B	924,-	186,-	1110,-
Lid, galvanized	B	138,-	16,-	154,-
Castor Set, polyamide, Load capacity 1350 kg / castor set	A	185,-	15,-	200,-
BC 500, hot-dip galvanized	B	1139,-	273,-	1412,-
Lid, galvanized	B	138,-	16,-	154,-
Castor Set, polyamide, Load capacity 1350 kg / castor set	A	185,-	15,-	200,-
BC 500 (brick clamp operated), painted	B	991,-	186,-	1177,-
Lid, galvanized	B	138,-	16,-	154,-
Castor Set, polyamide, Load capacity 1350 kg / castor set	A	185,-	15,-	200,-
BC 500 (brick clamp operated), hot-dip galvanized	B	1207,-	273,-	1480,-
Lid, galvanized	B	138,-	16,-	154,-
Castor Set, polyamide, Load capacity 1350 kg / castor set	A	185,-	15,-	200,-
BC 1000, painted	B	1007,-	273,-	1280,-
Lid, galvanized	B	138,-	16,-	154,-
Castor Set, polyamide, Load capacity 1350 kg / castor set	A	185,-	15,-	200,-
BC 1000, hot-dip galvanized	B	1271,-	273,-	1544,-
Lid, galvanized	B	138,-	16,-	154,-
Castor Set, polyamide, Load capacity 1350 kg / castor set	A	185,-	15,-	200,-
BC 1000 (brick clamp operated), painted	B	1073,-	273,-	1346,-
Lid, galvanized	B	138,-	16,-	154,-
Castor Set, polyamide, Load capacity 1350 kg / castor set	A	185,-	15,-	200,-
BC 1000 (brick clamp operated), hot-dip galvanized	B	1339,-	273,-	1612,-
Lid, galvanized	B	138,-	16,-	154,-

Prices in EUR, valid EXW DE-46354 Südlohn, DE-38820 Halberstadt, unpacked
Freight charges valid CPT Italy, islands and oversea territories excluded

Price List 0424 en-IT

Forklift Truck Attachments



Building Materials Container Type BC	Category	Price	Freight charges	Price including freight charges
Castor Set, polyamide, Load capacity 1350 kg / castor set	A	185,-	15,-	200,-
Tilting Container Type BK	Category	Price	Freight charges	Price including freight charges
BK 30, painted	A	676,-	186,-	862,-
Lid, galvanized	A	94,-	18,-	112,-
Castor Set, polyamide, Load capacity 1350 kg / castor set	A	185,-	15,-	200,-
Castor Set, polyamide, Load capacity 2550 kg / castor set	A	366,-	15,-	381,-
Skip Body Welded Oil and Watertight	A	75,-	0,-	75,-
BK 30, hot-dip galvanized	A	950,-	186,-	1136,-
Lid, galvanized	A	94,-	18,-	112,-
Castor Set, polyamide, Load capacity 1350 kg / castor set	A	185,-	15,-	200,-
Castor Set, polyamide, Load capacity 2550 kg / castor set	A	366,-	15,-	381,-
Skip Body Welded Oil and Watertight	A	75,-	0,-	75,-
BK 50, painted	A	950,-	186,-	1136,-
Lid, galvanized	A	94,-	20,-	114,-
Castor Set, polyamide, Load capacity 1350 kg / castor set	A	185,-	15,-	200,-
Castor Set, polyamide, Load capacity 2550 kg / castor set	A	366,-	15,-	381,-
Skip Body Welded Oil and Watertight	A	75,-	0,-	75,-
BK 50, hot-dip galvanized	A	1282,-	273,-	1555,-
Lid, galvanized	A	94,-	20,-	114,-
Castor Set, polyamide, Load capacity 1350 kg / castor set	A	185,-	15,-	200,-
Castor Set, polyamide, Load capacity 2550 kg / castor set	A	366,-	15,-	381,-
Skip Body Welded Oil and Watertight	A	75,-	0,-	75,-
BK 80, painted	A	1253,-	273,-	1526,-
Lid, galvanized	A	139,-	22,-	161,-
Castor Set, polyamide, Load capacity 1350 kg / castor set	A	185,-	15,-	200,-
Castor Set, polyamide, Load capacity 2550 kg / castor set	A	366,-	15,-	381,-
Skip Body Welded Oil and Watertight	A	75,-	0,-	75,-
BK 80, hot-dip galvanized	A	1752,-	273,-	2025,-
Lid, galvanized	A	139,-	22,-	161,-
Castor Set, polyamide, Load capacity 1350 kg / castor set	A	185,-	15,-	200,-
Castor Set, polyamide, Load capacity 2550 kg / castor set	A	366,-	15,-	381,-
Skip Body Welded Oil and Watertight	A	75,-	0,-	75,-
BK 100, painted	A	1457,-	273,-	1730,-
Lid, galvanized	A	167,-	27,-	194,-
Castor Set, polyamide, Load capacity 1350 kg / castor set	A	185,-	15,-	200,-
Castor Set, polyamide, Load capacity 2550 kg / castor set	A	366,-	15,-	381,-
Skip Body Welded Oil and Watertight	A	116,-	0,-	116,-
BK 100, hot-dip galvanized	A	2000,-	273,-	2273,-
Lid, galvanized	A	167,-	27,-	194,-
Castor Set, polyamide, Load capacity 1350 kg / castor set	A	185,-	15,-	200,-
Castor Set, polyamide, Load capacity 2550 kg / castor set	A	366,-	15,-	381,-
Skip Body Welded Oil and Watertight	A	116,-	0,-	116,-
BK 120, painted	A	1584,-	273,-	1857,-
Lid, galvanized	A	177,-	32,-	209,-
Castor Set, polyamide, Load capacity 1350 kg / castor set	A	185,-	15,-	200,-

Prices in EUR, valid EXW DE-46354 Südlohn, DE-38820 Halberstadt, unpacked
Freight charges valid CPT Italy, islands and oversea territories excluded

Price List 0424 en-IT

Forklift Truck Attachments



Tilting Container Type BK	Category	Price	Freight charges	Price including freight charges
Castor Set, polyamide, Load capacity 2550 kg / castor set	A	366,-	15,-	381,-
Skip Body Welded Oil and Watertight	A	116,-	0,-	116,-
BK 120, hot-dip galvanized	A	2159,-	273,-	2432,-
Lid, galvanized	A	177,-	32,-	209,-
Castor Set, polyamide, Load capacity 1350 kg / castor set	A	185,-	15,-	200,-
Castor Set, polyamide, Load capacity 2550 kg / castor set	A	366,-	15,-	381,-
Skip Body Welded Oil and Watertight	A	116,-	0,-	116,-
BK 150, painted	A	1740,-	351,-	2091,-
Lid, galvanized	A	203,-	39,-	242,-
Castor Set, polyamide, Load capacity 1350 kg / castor set	A	185,-	15,-	200,-
Castor Set, polyamide, Load capacity 2550 kg / castor set	A	366,-	15,-	381,-
Skip Body Welded Oil and Watertight	A	116,-	0,-	116,-
BK 150, hot-dip galvanized	A	2361,-	351,-	2712,-
Lid, galvanized	A	203,-	39,-	242,-
Castor Set, polyamide, Load capacity 1350 kg / castor set	A	185,-	15,-	200,-
Castor Set, polyamide, Load capacity 2550 kg / castor set	A	366,-	15,-	381,-
Skip Body Welded Oil and Watertight	A	116,-	0,-	116,-
BK 200, painted	A	2164,-	351,-	2515,-
Lid, galvanized	A	215,-	117,-	332,-
Castor Set, polyamide, Load capacity 1350 kg / castor set	A	185,-	15,-	200,-
Castor Set, polyamide, Load capacity 2550 kg / castor set	A	366,-	15,-	381,-
Skip Body Welded Oil and Watertight	A	116,-	0,-	116,-
BK 200, hot-dip galvanized	A	2948,-	502,-	3450,-
Lid, galvanized	A	215,-	117,-	332,-
Castor Set, polyamide, Load capacity 1350 kg / castor set	A	185,-	15,-	200,-
Castor Set, polyamide, Load capacity 2550 kg / castor set	A	366,-	15,-	381,-
Skip Body Welded Oil and Watertight	A	116,-	0,-	116,-
Container With Drop Away Base Type BKB	Category	Price	Freight charges	Price including freight charges
BKB 500, painted	A	737,-	186,-	923,-
Lid, galvanized	A	189,-	18,-	207,-
Castor Set, polyamide, Load capacity 1350 kg / castor set	A	185,-	15,-	200,-
BKB 500, hot-dip galvanized	A	876,-	186,-	1062,-
Lid, galvanized	A	189,-	18,-	207,-
Castor Set, polyamide, Load capacity 1350 kg / castor set	A	185,-	15,-	200,-
BKB 700, painted	A	788,-	186,-	974,-
Lid, galvanized	A	189,-	18,-	207,-
Castor Set, polyamide, Load capacity 1350 kg / castor set	A	185,-	15,-	200,-
BKB 700, hot-dip galvanized	A	927,-	186,-	1113,-
Lid, galvanized	A	189,-	18,-	207,-
Castor Set, polyamide, Load capacity 1350 kg / castor set	A	185,-	15,-	200,-
BKB 1000, painted	A	835,-	186,-	1021,-
Lid, galvanized	A	189,-	18,-	207,-
Castor Set, polyamide, Load capacity 1350 kg / castor set	A	185,-	15,-	200,-
BKB 1000, hot-dip galvanized	A	994,-	186,-	1180,-
Lid, galvanized	A	189,-	18,-	207,-

Prices in EUR, valid EXW DE-46354 Südlohn, DE-38820 Halberstadt, unpacked
Freight charges valid CPT Italy, islands and oversea territories excluded

Price List 0424 en-IT

Forklift Truck Attachments



Container With Drop Away Base Type BKB	Category	Price	Freight charges	Price including freight charges
Castor Set, polyamide, Load capacity 1350 kg / castor set	A	185,-	15,-	200,-

Tilting Container Type BKC	Category	Price	Freight charges	Price including freight charges
BKC 200, painted	A	2229,-	502,-	2731,-
Lid, galvanized	A	434,-	117,-	551,-
Skip Body Welded Oil and Watertight	A	116,-	0,-	116,-
BKC 200, hot-dip galvanized	A	2984,-	502,-	3486,-
Lid, galvanized	A	434,-	117,-	551,-
Skip Body Welded Oil and Watertight	A	116,-	0,-	116,-
BKC 300, painted	A	2471,-	502,-	2973,-
Lid, galvanized	A	434,-	117,-	551,-
Skip Body Welded Oil and Watertight	A	116,-	0,-	116,-
BKC 300, hot-dip galvanized	A	3253,-	502,-	3755,-
Lid, galvanized	A	434,-	117,-	551,-
Skip Body Welded Oil and Watertight	A	116,-	0,-	116,-
BKC 400, painted	A	3043,-	502,-	3545,-
Lid, galvanized	A	434,-	186,-	620,-
Skip Body Welded Oil and Watertight	A	116,-	0,-	116,-
BKC 400, hot-dip galvanized	A	3929,-	646,-	4575,-
Lid, galvanized	A	434,-	186,-	620,-
Skip Body Welded Oil and Watertight	A	116,-	0,-	116,-
BKC 500, painted	A	3535,-	646,-	4181,-
Lid, galvanized	A	434,-	186,-	620,-
Skip Body Welded Oil and Watertight	A	116,-	0,-	116,-
BKC 500, hot-dip galvanized	A	4484,-	646,-	5130,-
Lid, galvanized	A	434,-	186,-	620,-
Skip Body Welded Oil and Watertight	A	116,-	0,-	116,-

Tilting Container Type BKC-H	Category	Price	Freight charges	Price including freight charges
BKC-H 200, painted	A	3306,-	502,-	3808,-
Skip Body Welded Oil and Watertight	A	116,-	0,-	116,-
Lid, galvanized	A	434,-	117,-	551,-
BKC-H 200, hot-dip galvanized	A	4061,-	502,-	4563,-
Lid, galvanized	A	434,-	117,-	551,-
Skip Body Welded Oil and Watertight	A	116,-	0,-	116,-
BKC-H 300, painted	A	3548,-	502,-	4050,-
Skip Body Welded Oil and Watertight	A	116,-	0,-	116,-
Lid, galvanized	A	434,-	117,-	551,-
BKC-H 300, hot-dip galvanized	A	4331,-	502,-	4833,-
Lid, galvanized	A	434,-	117,-	551,-
Skip Body Welded Oil and Watertight	A	116,-	0,-	116,-
BKC-H 400, painted	A	4120,-	502,-	4622,-
Lid, galvanized	A	434,-	186,-	620,-
Skip Body Welded Oil and Watertight	A	116,-	0,-	116,-
BKC-H 400, hot-dip galvanized	A	5006,-	646,-	5652,-

Prices in EUR, valid EXW DE-46354 Südlohn, DE-38820 Halberstadt, unpacked
 Freight charges valid CPT Italy, islands and oversea territories excluded

Price List 0424 en-IT

Forklift Truck Attachments



Tilting Container Type BKC-H	Category	Price	Freight charges	Price including freight charges
Lid, galvanized	A	434,-	186,-	620,-
Skip Body Welded Oil and Watertight	A	116,-	0,-	116,-
BKC-H 500, painted	A	4612,-	646,-	5258,-
Lid, galvanized	A	434,-	186,-	620,-
Skip Body Welded Oil and Watertight	A	116,-	0,-	116,-
BKC-H 500, hot-dip galvanized	A	5561,-	646,-	6207,-
Skip Body Welded Oil and Watertight	A	116,-	0,-	116,-
Lid, galvanized	A	434,-	186,-	620,-

Tilting Container Type BKM	Category	Price	Freight charges	Price including freight charges
BKM 30, painted	A	676,-	186,-	862,-
Lid, galvanized	A	100,-	18,-	118,-
Castor Set, polyamide, Load capacity 1350 kg / castor set	A	185,-	15,-	200,-
Castor Set, polyamide, Load capacity 2550 kg / castor set	A	366,-	15,-	381,-
Skip Body Welded Oil and Watertight	A	75,-	0,-	75,-
BKM 30, hot-dip galvanized	A	950,-	186,-	1136,-
Lid, galvanized	A	100,-	18,-	118,-
Castor Set, polyamide, Load capacity 1350 kg / castor set	A	185,-	15,-	200,-
Castor Set, polyamide, Load capacity 2550 kg / castor set	A	366,-	15,-	381,-
Skip Body Welded Oil and Watertight	A	75,-	0,-	75,-
BKM 50, painted	A	950,-	186,-	1136,-
Lid, galvanized	A	125,-	21,-	146,-
Castor Set, polyamide, Load capacity 1350 kg / castor set	A	185,-	15,-	200,-
Castor Set, polyamide, Load capacity 2550 kg / castor set	A	366,-	15,-	381,-
Skip Body Welded Oil and Watertight	A	75,-	0,-	75,-
BKM 50, hot-dip galvanized	A	1282,-	186,-	1468,-
Lid, galvanized	A	125,-	21,-	146,-
Castor Set, polyamide, Load capacity 1350 kg / castor set	A	185,-	15,-	200,-
Castor Set, polyamide, Load capacity 2550 kg / castor set	A	366,-	15,-	381,-
Skip Body Welded Oil and Watertight	A	75,-	0,-	75,-
BKM 75, painted	A	1203,-	273,-	1476,-
Lid, galvanized	A	137,-	22,-	159,-
Castor Set, polyamide, Load capacity 1350 kg / castor set	A	185,-	15,-	200,-
Castor Set, polyamide, Load capacity 2550 kg / castor set	A	366,-	15,-	381,-
Skip Body Welded Oil and Watertight	A	75,-	0,-	75,-
BKM 75, hot-dip galvanized	A	1615,-	273,-	1888,-
Lid, galvanized	A	137,-	22,-	159,-
Castor Set, polyamide, Load capacity 1350 kg / castor set	A	185,-	15,-	200,-
Castor Set, polyamide, Load capacity 2550 kg / castor set	A	366,-	15,-	381,-
Skip Body Welded Oil and Watertight	A	75,-	0,-	75,-
BKM 100, painted	A	1457,-	273,-	1730,-
Lid, galvanized	A	178,-	27,-	205,-
Castor Set, polyamide, Load capacity 1350 kg / castor set	A	185,-	15,-	200,-
Castor Set, polyamide, Load capacity 2550 kg / castor set	A	366,-	15,-	381,-
Skip Body Welded Oil and Watertight	A	116,-	0,-	116,-
BKM 100, hot-dip galvanized	A	2000,-	273,-	2273,-

Prices in EUR, valid EXW DE-46354 Südlohn, DE-38820 Halberstadt, unpacked
Freight charges valid CPT Italy, islands and oversea territories excluded

Price List 0424 en-IT

Forklift Truck Attachments



Tilting Container Type BKM	Category	Price	Freight charges	Price including freight charges
Lid, galvanized	A	178,-	27,-	205,-
Castor Set, polyamide, Load capacity 1350 kg / castor set	A	185,-	15,-	200,-
Castor Set, polyamide, Load capacity 2550 kg / castor set	A	366,-	15,-	381,-
Skip Body Welded Oil and Watertight	A	116,-	0,-	116,-
BKM 150, painted	A	1740,-	351,-	2091,-
Lid, galvanized	A	261,-	36,-	297,-
Castor Set, polyamide, Load capacity 1350 kg / castor set	A	185,-	15,-	200,-
Castor Set, polyamide, Load capacity 2550 kg / castor set	A	366,-	15,-	381,-
Skip Body Welded Oil and Watertight	A	116,-	0,-	116,-
BKM 150, hot-dip galvanized	A	2361,-	351,-	2712,-
Lid, galvanized	A	261,-	36,-	297,-
Castor Set, polyamide, Load capacity 1350 kg / castor set	A	185,-	15,-	200,-
Castor Set, polyamide, Load capacity 2550 kg / castor set	A	366,-	15,-	381,-
Skip Body Welded Oil and Watertight	A	116,-	0,-	116,-
BKM 200, painted	A	2164,-	351,-	2515,-
Lid, galvanized	A	291,-	117,-	408,-
Castor Set, polyamide, Load capacity 1350 kg / castor set	A	185,-	15,-	200,-
Castor Set, polyamide, Load capacity 2550 kg / castor set	A	366,-	15,-	381,-
Skip Body Welded Oil and Watertight	A	116,-	0,-	116,-
BKM 200, hot-dip galvanized	A	2948,-	502,-	3450,-
Lid, galvanized	A	291,-	117,-	408,-
Castor Set, polyamide, Load capacity 1350 kg / castor set	A	185,-	15,-	200,-
Castor Set, polyamide, Load capacity 2550 kg / castor set	A	366,-	15,-	381,-
Skip Body Welded Oil and Watertight	A	116,-	0,-	116,-
Traverse For Stacking Tipper Type BKT	Category	Price	Freight charges	Price including freight charges
BKT 30, painted	A	355,-	186,-	541,-
Traverse Stand Type TS, hot-dip galvanized	A	75,-	8,-	83,-
BKT 55, painted	A	376,-	186,-	562,-
Traverse Stand Type TS, hot-dip galvanized	A	75,-	9,-	84,-
BKT 70, painted	A	376,-	186,-	562,-
Traverse Stand Type TS, hot-dip galvanized	A	75,-	9,-	84,-
BKT 90, painted	A	378,-	186,-	564,-
Traverse Stand Type TS, hot-dip galvanized	A	75,-	9,-	84,-
BKT 150, painted	A	609,-	186,-	795,-
Traverse Stand Type TS, hot-dip galvanized	A	75,-	9,-	84,-
BKT 200, painted	A	672,-	186,-	858,-
Traverse Stand Type TS, hot-dip galvanized	A	75,-	9,-	84,-
Shovel Type BSE	Category	Price	Freight charges	Price including freight charges
BSE 50, painted	A	1435,-	273,-	1708,-
BSE 75, painted	A	1709,-	273,-	1982,-
BSE 100, painted	A	2143,-	351,-	2494,-
BSE 150, painted	A	2422,-	351,-	2773,-
BSE 200, painted	A	2691,-	502,-	3193,-

Prices in EUR, valid EXW DE-46354 Südlohn, DE-38820 Halberstadt, unpacked
Freight charges valid CPT Italy, islands and oversea territories excluded

Price List 0424 en-IT

Forklift Truck Attachments



Shovel Type BSE	Category	Price	Freight charges	Price including freight charges
BSE 250, painted	A	3316,-	552,-	3868,-
Shovel Type BSI	Category	Price	Freight charges	Price including freight charges
BSI 50, painted	A	1214,-	186,-	1400,-
BSI 75, painted	A	1375,-	273,-	1648,-
BSI 100, painted	A	1725,-	273,-	1998,-
Stacking Tipper Type BSK	Category	Price	Freight charges	Price including freight charges
BSK 30, painted	A	256,-	117,-	373,-
Lid, galvanized	A	66,-	12,-	78,-
Castor Set, polyamide, Load capacity 1350 kg / castor set	A	185,-	15,-	200,-
Skip Body Welded Oil and Watertight	A	75,-	0,-	75,-
Set of 5 self-adhesive stickers with symbols for: glass, paper, plastic, metal, residual waste	A	28,-	on request	on request
BSK 30, hot-dip galvanized	A	309,-	117,-	426,-
Lid, galvanized	A	66,-	12,-	78,-
Castor Set, polyamide, Load capacity 1350 kg / castor set	A	185,-	15,-	200,-
Skip Body Welded Oil and Watertight	A	75,-	0,-	75,-
Set of 5 self-adhesive stickers with symbols for: glass, paper, plastic, metal, residual waste	A	28,-	on request	on request
BSK 55, painted	A	320,-	117,-	437,-
Lid, galvanized	A	94,-	15,-	109,-
Castor Set, polyamide, Load capacity 1350 kg / castor set	A	185,-	15,-	200,-
Skip Body Welded Oil and Watertight	A	75,-	0,-	75,-
Set of 5 self-adhesive stickers with symbols for: glass, paper, plastic, metal, residual waste	A	28,-	on request	on request
BSK 55, hot-dip galvanized	A	391,-	117,-	508,-
Lid, galvanized	A	94,-	15,-	109,-
Castor Set, polyamide, Load capacity 1350 kg / castor set	A	185,-	15,-	200,-
Skip Body Welded Oil and Watertight	A	75,-	0,-	75,-
Set of 5 self-adhesive stickers with symbols for: glass, paper, plastic, metal, residual waste	A	28,-	on request	on request
BSK 70, painted	A	340,-	117,-	457,-
Lid, galvanized	A	117,-	15,-	132,-
Castor Set, polyamide, Load capacity 1350 kg / castor set	A	185,-	15,-	200,-
Skip Body Welded Oil and Watertight	A	75,-	0,-	75,-
Set of 5 self-adhesive stickers with symbols for: glass, paper, plastic, metal, residual waste	A	28,-	on request	on request
BSK 70, hot-dip galvanized	A	441,-	117,-	558,-
Lid, galvanized	A	117,-	15,-	132,-
Castor Set, polyamide, Load capacity 1350 kg / castor set	A	185,-	15,-	200,-
Skip Body Welded Oil and Watertight	A	75,-	0,-	75,-
Set of 5 self-adhesive stickers with symbols for: glass, paper, plastic, metal, residual waste	A	28,-	on request	on request
BSK 90, painted	A	366,-	117,-	483,-
Lid, galvanized	A	160,-	18,-	178,-
Castor Set, polyamide, Load capacity 1350 kg / castor set	A	185,-	15,-	200,-
Skip Body Welded Oil and Watertight	A	75,-	0,-	75,-
Set of 5 self-adhesive stickers with symbols for: glass, paper, plastic, metal, residual waste	A	28,-	on request	on request
BSK 90, hot-dip galvanized	A	470,-	186,-	656,-
Lid, galvanized	A	160,-	18,-	178,-

Prices in EUR, valid EXW DE-46354 Südlohn, DE-38820 Halberstadt, unpacked
Freight charges valid CPT Italy, islands and oversea territories excluded

Price List 0424 en-IT

Forklift Truck Attachments



Stacking Tipper Type BSK	Category	Price	Freight charges	Price including freight charges
Castor Set, polyamide, Load capacity 1350 kg / castor set	A	185,-	15,-	200,-
Skip Body Welded Oil and Watertight	A	75,-	0,-	75,-
Set of 5 self-adhesive stickers with symbols for: glass, paper, plastic, metal, residual waste	A	28,-	on request	on request
BSK 150, painted	A	841,-	186,-	1027,-
Lid, galvanized	A	215,-	21,-	236,-
Castor Set, polyamide, Load capacity 1350 kg / castor set	A	185,-	15,-	200,-
Skip Body Welded Oil and Watertight	A	116,-	0,-	116,-
Set of 5 self-adhesive stickers with symbols for: glass, paper, plastic, metal, residual waste	A	28,-	on request	on request
BSK 150, hot-dip galvanized	A	984,-	186,-	1170,-
Lid, galvanized	A	215,-	21,-	236,-
Castor Set, polyamide, Load capacity 1350 kg / castor set	A	185,-	15,-	200,-
Skip Body Welded Oil and Watertight	A	116,-	0,-	116,-
Set of 5 self-adhesive stickers with symbols for: glass, paper, plastic, metal, residual waste	A	28,-	on request	on request
BSK 200, painted	A	902,-	186,-	1088,-
Lid, galvanized	A	274,-	26,-	300,-
Castor Set, polyamide, Load capacity 1350 kg / castor set	A	185,-	15,-	200,-
Skip Body Welded Oil and Watertight	A	116,-	0,-	116,-
Set of 5 self-adhesive stickers with symbols for: glass, paper, plastic, metal, residual waste	A	28,-	on request	on request
BSK 200, hot-dip galvanized	A	1129,-	186,-	1315,-
Lid, galvanized	A	274,-	26,-	300,-
Castor Set, polyamide, Load capacity 1350 kg / castor set	A	185,-	15,-	200,-
Skip Body Welded Oil and Watertight	A	116,-	0,-	116,-
Set of 5 self-adhesive stickers with symbols for: glass, paper, plastic, metal, residual waste	A	28,-	on request	on request
Lattice Tilting Container Type BSK-G	Category	Price	Freight charges	Price including freight charges
BSK-G 90, painted	A	332,-	117,-	449,-
Lid, galvanized	A	160,-	18,-	178,-
Castor Set, polyamide, Load capacity 1350 kg / castor set	A	185,-	15,-	200,-
BSK-G 90, hot-dip galvanized	A	404,-	117,-	521,-
Lid, galvanized	A	160,-	18,-	178,-
Castor Set, polyamide, Load capacity 1350 kg / castor set	A	185,-	15,-	200,-
Swarf Stacking Tipper Type BSL	Category	Price	Freight charges	Price including freight charges
BSL 30, painted	A	570,-	117,-	687,-
Lid, galvanized	A	66,-	12,-	78,-
Castor Set, polyamide, Load capacity 1350 kg / castor set	A	185,-	15,-	200,-
BSL 30, hot-dip galvanized	A	656,-	117,-	773,-
Lid, galvanized	A	66,-	12,-	78,-
Castor Set, polyamide, Load capacity 1350 kg / castor set	A	185,-	15,-	200,-
BSL 55, painted	A	701,-	186,-	887,-
Lid, galvanized	A	94,-	15,-	109,-
Castor Set, polyamide, Load capacity 1350 kg / castor set	A	185,-	15,-	200,-
BSL 55, hot-dip galvanized	A	823,-	186,-	1009,-
Lid, galvanized	A	94,-	15,-	109,-
Castor Set, polyamide, Load capacity 1350 kg / castor set	A	185,-	15,-	200,-

Prices in EUR, valid EXW DE-46354 Südlohn, DE-38820 Halberstadt, unpacked
Freight charges valid CPT Italy, islands and oversea territories excluded

Price List 0424 en-IT

Forklift Truck Attachments



Swarf Stacking Tipper Type BSL	Category	Price	Freight charges	Price including freight charges
BSL 70, painted	A	737,-	186,-	923,-
Lid, galvanized	A	117,-	15,-	132,-
Castor Set, polyamide, Load capacity 1350 kg / castor set	A	185,-	15,-	200,-
BSL 70, hot-dip galvanized	A	881,-	186,-	1067,-
Lid, galvanized	A	117,-	15,-	132,-
Castor Set, polyamide, Load capacity 1350 kg / castor set	A	185,-	15,-	200,-
BSL 90, painted	A	801,-	186,-	987,-
Lid, galvanized	A	160,-	18,-	178,-
Castor Set, polyamide, Load capacity 1350 kg / castor set	A	185,-	15,-	200,-
BSL 90, hot-dip galvanized	A	970,-	186,-	1156,-
Lid, galvanized	A	160,-	18,-	178,-
Castor Set, polyamide, Load capacity 1350 kg / castor set	A	185,-	15,-	200,-
BSL 150, painted	A	1185,-	186,-	1371,-
Lid, galvanized	A	215,-	21,-	236,-
Castor Set, polyamide, Load capacity 1350 kg / castor set	A	185,-	15,-	200,-
BSL 150, hot-dip galvanized	A	1439,-	273,-	1712,-
Lid, galvanized	A	215,-	21,-	236,-
Castor Set, polyamide, Load capacity 1350 kg / castor set	A	185,-	15,-	200,-
BSL 200, painted	A	1282,-	273,-	1555,-
Lid, galvanized	A	274,-	26,-	300,-
Castor Set, polyamide, Load capacity 1350 kg / castor set	A	185,-	15,-	200,-
BSL 200, hot-dip galvanized	A	1731,-	273,-	2004,-
Lid, galvanized	A	274,-	26,-	300,-
Castor Set, polyamide, Load capacity 1350 kg / castor set	A	185,-	15,-	200,-
Shovel Type BSM	Category	Price	Freight charges	Price including freight charges
BSM 50, painted	A	1435,-	186,-	1621,-
BSM 75, painted	A	1709,-	273,-	1982,-
BSM 100, painted	A	2143,-	351,-	2494,-
BSM 150, painted	A	2422,-	351,-	2773,-
BSM 200, painted	A	2691,-	502,-	3193,-
BSM 250, painted	A	3316,-	552,-	3868,-
Swarf Stacking Tipper Type BSS	Category	Price	Freight charges	Price including freight charges
BSS 30, painted	A	407,-	117,-	524,-
Lid, galvanized	A	66,-	12,-	78,-
Castor Set, polyamide, Load capacity 1350 kg / castor set	A	185,-	15,-	200,-
BSS 30, hot-dip galvanized	A	473,-	117,-	590,-
Lid, galvanized	A	66,-	12,-	78,-
Castor Set, polyamide, Load capacity 1350 kg / castor set	A	185,-	15,-	200,-
BSS 55, painted	A	505,-	117,-	622,-
Lid, galvanized	A	94,-	15,-	109,-
Castor Set, polyamide, Load capacity 1350 kg / castor set	A	185,-	15,-	200,-
BSS 55, hot-dip galvanized	A	626,-	117,-	743,-
Lid, galvanized	A	94,-	15,-	109,-

Prices in EUR, valid EXW DE-46354 Südlohn, DE-38820 Halberstadt, unpacked
Freight charges valid CPT Italy, islands and oversea territories excluded

Price List 0424 en-IT

Forklift Truck Attachments



Swarf Stacking Tipper Type BSS	Category	Price	Freight charges	Price including freight charges
Castor Set, polyamide, Load capacity 1350 kg / castor set	A	185,-	15,-	200,-
BSS 70, painted	A	542,-	117,-	659,-
Lid, galvanized	A	117,-	15,-	132,-
Castor Set, polyamide, Load capacity 1350 kg / castor set	A	185,-	15,-	200,-
BSS 70, hot-dip galvanized	A	684,-	186,-	870,-
Lid, galvanized	A	117,-	15,-	132,-
Castor Set, polyamide, Load capacity 1350 kg / castor set	A	185,-	15,-	200,-
BSS 90, painted	A	576,-	186,-	762,-
Lid, galvanized	A	160,-	18,-	178,-
Castor Set, polyamide, Load capacity 1350 kg / castor set	A	185,-	15,-	200,-
BSS 90, hot-dip galvanized	A	739,-	186,-	925,-
Lid, galvanized	A	160,-	18,-	178,-
Castor Set, polyamide, Load capacity 1350 kg / castor set	A	185,-	15,-	200,-
BSS 150, painted	A	876,-	186,-	1062,-
Lid, galvanized	A	215,-	21,-	236,-
Castor Set, polyamide, Load capacity 1350 kg / castor set	A	185,-	15,-	200,-
BSS 150, hot-dip galvanized	A	1126,-	186,-	1312,-
Lid, galvanized	A	215,-	21,-	236,-
Castor Set, polyamide, Load capacity 1350 kg / castor set	A	185,-	15,-	200,-
BSS 200, painted	A	989,-	186,-	1175,-
Lid, galvanized	A	274,-	26,-	300,-
Castor Set, polyamide, Load capacity 1350 kg / castor set	A	185,-	15,-	200,-
BSS 200, hot-dip galvanized	A	1324,-	273,-	1597,-
Lid, galvanized	A	274,-	26,-	300,-
Castor Set, polyamide, Load capacity 1350 kg / castor set	A	185,-	15,-	200,-
Traverse For Stacking Tipper Type BST	Category	Price	Freight charges	Price including freight charges
BST 30, painted	A	320,-	117,-	437,-
Traverse Stand Type TS, hot-dip galvanized	A	75,-	8,-	83,-
BST 55, painted	A	342,-	117,-	459,-
Traverse Stand Type TS, hot-dip galvanized	A	75,-	9,-	84,-
BST 70, painted	A	342,-	117,-	459,-
Traverse Stand Type TS, hot-dip galvanized	A	75,-	9,-	84,-
BST 90, painted	A	355,-	117,-	472,-
Traverse Stand Type TS, hot-dip galvanized	A	75,-	9,-	84,-
BST 150, painted	A	532,-	186,-	718,-
Traverse Stand Type TS, hot-dip galvanized	A	75,-	9,-	84,-
BST 200, painted	A	591,-	186,-	777,-
Traverse Stand Type TS, hot-dip galvanized	A	75,-	9,-	84,-
Traverse For Stacking Tipper Type BST-H	Category	Price	Freight charges	Price including freight charges
BST-H 30, painted	A	2055,-	186,-	2241,-
Traverse Stand Type TS, hot-dip galvanized	A	75,-	8,-	83,-
BST-H 55, painted	A	2180,-	186,-	2366,-
Traverse Stand Type TS, hot-dip galvanized	A	75,-	8,-	83,-

Prices in EUR, valid EXW DE-46354 Südlohn, DE-38820 Halberstadt, unpacked
Freight charges valid CPT Italy, islands and oversea territories excluded

Price List 0424 en-IT

Forklift Truck Attachments



Traverse For Stacking Tipper Type BST-H	Category	Price	Freight charges	Price including freight charges
BST-H 70, painted	A	2180,-	186,-	2366,-
Traverse Stand Type TS, hot-dip galvanized	A	75,-	8,-	83,-
BST-H 90, painted	A	2293,-	186,-	2479,-
Traverse Stand Type TS, hot-dip galvanized	A	75,-	8,-	83,-
BST-H 150, painted	A	2608,-	273,-	2881,-
Traverse Stand Type TS, hot-dip galvanized	A	75,-	9,-	84,-
BST-H 200, painted	A	2871,-	273,-	3144,-
Traverse Stand Type TS, hot-dip galvanized	A	75,-	9,-	84,-

Traverse For Stacking Tipper Type BST-U	Category	Price	Freight charges	Price including freight charges
BST-U 30, painted	A	923,-	186,-	1109,-
BST-U 55, painted	A	985,-	186,-	1171,-
BST-U 70, painted	A	985,-	186,-	1171,-
BST-U 90, painted	A	1011,-	186,-	1197,-

Filling Hopper Type BTM	Category	Price	Freight charges	Price including freight charges
BTM, painted	A	2377,-	351,-	2728,-

Filling Hopper Type BTS	Category	Price	Freight charges	Price including freight charges
BTS, painted	A	2035,-	351,-	2386,-

Bin Type C	Category	Price	Freight charges	Price including freight charges
C 30, painted	A	407,-	117,-	524,-
C 30, hot-dip galvanized	A	447,-	117,-	564,-
C 80, painted	A	586,-	117,-	703,-
C 80, hot-dip galvanized	A	630,-	117,-	747,-

Swarf Bin Type CS	Category	Price	Freight charges	Price including freight charges
CS 30, painted	A	469,-	117,-	586,-
CS 30, hot-dip galvanized	A	514,-	117,-	631,-
CS 80, painted	A	692,-	117,-	809,-
CS 80, hot-dip galvanized	A	740,-	186,-	926,-

Shovel Type DGS	Category	Price	Freight charges	Price including freight charges
DGS 500, painted	A	2565,-	273,-	2838,-
DGS 700, painted	A	2594,-	273,-	2867,-
DGS 950, painted	A	2630,-	351,-	2981,-
DGS 1200, painted	A	2825,-	351,-	3176,-

Tilting Container Type DUO	Category	Price	Freight charges	Price including freight charges
DUO, painted	A	1803,-	273,-	2076,-
Lid, galvanized	A	228,-	27,-	255,-
Castor Set, polyamide, Load capacity 1350 kg / castor set	A	185,-	15,-	200,-
Set of 5 self-adhesive stickers with symbols for: glass, paper, plastic, metal, residual waste	A	28,-	on request	on request

Prices in EUR, valid EXW DE-46354 Südlohn, DE-38820 Halberstadt, unpacked
 Freight charges valid CPT Italy, islands and oversea territories excluded

Price List 0424 en-IT

Forklift Truck Attachments



Tilting Container Type EXPO®	Category	Price	Freight charges	Price including freight charges
EXPO 150, painted	A	587,-	117,-	704,-
Lid, galvanized	A	168,-	18,-	186,-
Castor Set, polyamide, Load capacity 1050 kg / castor set	A	150,-	15,-	165,-
Skip Body Welded Oil and Watertight	A	75,-	0,-	75,-
EXPO 150, hot-dip galvanized	A	692,-	117,-	809,-
Lid, galvanized	A	168,-	18,-	186,-
Castor Set, polyamide, Load capacity 1050 kg / castor set	A	150,-	15,-	165,-
Skip Body Welded Oil and Watertight	A	75,-	0,-	75,-
EXPO 225, painted	A	639,-	117,-	756,-
Lid, galvanized	A	168,-	18,-	186,-
Castor Set, polyamide, Load capacity 1050 kg / castor set	A	150,-	15,-	165,-
Skip Body Welded Oil and Watertight	A	75,-	0,-	75,-
EXPO 225, hot-dip galvanized	A	758,-	117,-	875,-
Lid, galvanized	A	168,-	18,-	186,-
Castor Set, polyamide, Load capacity 1050 kg / castor set	A	150,-	15,-	165,-
Skip Body Welded Oil and Watertight	A	75,-	0,-	75,-
EXPO 275, painted	A	667,-	117,-	784,-
Lid, galvanized	A	168,-	18,-	186,-
Castor Set, polyamide, Load capacity 1050 kg / castor set	A	150,-	15,-	165,-
Skip Body Welded Oil and Watertight	A	75,-	0,-	75,-
EXPO 275, hot-dip galvanized	A	798,-	117,-	915,-
Lid, galvanized	A	168,-	18,-	186,-
Castor Set, polyamide, Load capacity 1050 kg / castor set	A	150,-	15,-	165,-
Skip Body Welded Oil and Watertight	A	75,-	0,-	75,-
EXPO 300, painted	A	601,-	186,-	787,-
Lid, galvanized	A	168,-	18,-	186,-
Castor Set, polyamide, Load capacity 1350 kg / castor set	A	185,-	15,-	200,-
Skip Body Welded Oil and Watertight	A	75,-	0,-	75,-
EXPO 300, hot-dip galvanized	A	771,-	186,-	957,-
Lid, galvanized	A	168,-	18,-	186,-
Castor Set, polyamide, Load capacity 1350 kg / castor set	A	185,-	15,-	200,-
Skip Body Welded Oil and Watertight	A	75,-	0,-	75,-
EXPO 600, painted	A	708,-	186,-	894,-
Lid, galvanized	A	189,-	22,-	211,-
Castor Set, polyamide, Load capacity 1350 kg / castor set	A	185,-	15,-	200,-
Skip Body Welded Oil and Watertight	A	75,-	0,-	75,-
EXPO 600, hot-dip galvanized	A	849,-	186,-	1035,-
Lid, galvanized	A	189,-	22,-	211,-
Castor Set, polyamide, Load capacity 1350 kg / castor set	A	185,-	15,-	200,-
Skip Body Welded Oil and Watertight	A	75,-	0,-	75,-
EXPO 900, painted	A	790,-	186,-	976,-
Lid, galvanized	A	215,-	27,-	242,-
Castor Set, polyamide, Load capacity 1350 kg / castor set	A	185,-	15,-	200,-
Skip Body Welded Oil and Watertight	A	75,-	0,-	75,-
EXPO 900, hot-dip galvanized	A	931,-	186,-	1117,-
Lid, galvanized	A	215,-	27,-	242,-

Prices in EUR, valid EXW DE-46354 Südlohn, DE-38820 Halberstadt, unpacked
Freight charges valid CPT Italy, islands and oversea territories excluded

Price List 0424 en-IT

Forklift Truck Attachments



Tilting Container Type EXPO®	Category	Price	Freight charges	Price including freight charges
Castor Set, polyamide, Load capacity 1350 kg / castor set	A	185,-	15,-	200,-
Skip Body Welded Oil and Watertight	A	75,-	0,-	75,-
EXPO 1200, painted	A	855,-	273,-	1128,-
Lid, galvanized	A	215,-	26,-	241,-
Castor Set, polyamide, Load capacity 1350 kg / castor set	A	185,-	15,-	200,-
Skip Body Welded Oil and Watertight	A	116,-	0,-	116,-
EXPO 1200, hot-dip galvanized	A	1006,-	273,-	1279,-
Lid, galvanized	A	215,-	26,-	241,-
Castor Set, polyamide, Load capacity 1350 kg / castor set	A	185,-	15,-	200,-
Skip Body Welded Oil and Watertight	A	116,-	0,-	116,-
EXPO 1700, painted	A	1161,-	273,-	1434,-
Lid, galvanized	A	266,-	33,-	299,-
Castor Set, polyamide, Load capacity 1350 kg / castor set	A	185,-	15,-	200,-
Skip Body Welded Oil and Watertight	A	116,-	0,-	116,-
EXPO 1700, hot-dip galvanized	A	1386,-	273,-	1659,-
Lid, galvanized	A	266,-	33,-	299,-
Castor Set, polyamide, Load capacity 1350 kg / castor set	A	185,-	15,-	200,-
Skip Body Welded Oil and Watertight	A	116,-	0,-	116,-
EXPO 2100, painted	A	1280,-	273,-	1553,-
Lid, galvanized	A	347,-	36,-	383,-
Castor Set, polyamide, Load capacity 1350 kg / castor set	A	185,-	15,-	200,-
Skip Body Welded Oil and Watertight	A	116,-	0,-	116,-
EXPO 2100, hot-dip galvanized	A	1551,-	273,-	1824,-
Lid, galvanized	A	347,-	36,-	383,-
Castor Set, polyamide, Load capacity 1350 kg / castor set	A	185,-	15,-	200,-
Skip Body Welded Oil and Watertight	A	116,-	0,-	116,-
Swarf Tilting Container Type EXPO®-E	Category	Price	Freight charges	Price including freight charges
EXPO-E 150, painted	A	704,-	117,-	821,-
Lid, galvanized	A	168,-	18,-	186,-
Castor Set, polyamide, Load capacity 1050 kg / castor set	A	150,-	15,-	165,-
EXPO-E 150, hot-dip galvanized	A	808,-	117,-	925,-
Lid, galvanized	A	168,-	18,-	186,-
Castor Set, polyamide, Load capacity 1050 kg / castor set	A	150,-	15,-	165,-
EXPO-E 225, painted	A	755,-	117,-	872,-
Lid, galvanized	A	168,-	18,-	186,-
Castor Set, polyamide, Load capacity 1050 kg / castor set	A	150,-	15,-	165,-
EXPO-E 225, hot-dip galvanized	A	876,-	117,-	993,-
Lid, galvanized	A	168,-	18,-	186,-
Castor Set, polyamide, Load capacity 1050 kg / castor set	A	150,-	15,-	165,-
EXPO-E 275, painted	A	784,-	117,-	901,-
Lid, galvanized	A	168,-	18,-	186,-
Castor Set, polyamide, Load capacity 1050 kg / castor set	A	150,-	15,-	165,-
EXPO-E 275, hot-dip galvanized	A	912,-	117,-	1029,-
Lid, galvanized	A	168,-	18,-	186,-
Castor Set, polyamide, Load capacity 1050 kg / castor set	A	150,-	15,-	165,-

Prices in EUR, valid EXW DE-46354 Südlohn, DE-38820 Halberstadt, unpacked
Freight charges valid CPT Italy, islands and oversea territories excluded

Price List 0424 en-IT

Forklift Truck Attachments



Swarf Tilting Container Type EXPO®-E	Category	Price	Freight charges	Price including freight charges
EXPO-E 300, painted	A	718,-	186,-	904,-
Lid, galvanized	A	168,-	18,-	186,-
Castor Set, polyamide, Load capacity 1350 kg / castor set	A	185,-	15,-	200,-
EXPO-E 300, hot-dip galvanized	A	887,-	186,-	1073,-
Lid, galvanized	A	168,-	18,-	186,-
Castor Set, polyamide, Load capacity 1350 kg / castor set	A	185,-	15,-	200,-
EXPO-E 600, painted	A	824,-	186,-	1010,-
Lid, galvanized	A	189,-	22,-	211,-
Castor Set, polyamide, Load capacity 1350 kg / castor set	A	185,-	15,-	200,-
EXPO-E 600, hot-dip galvanized	A	965,-	186,-	1151,-
Lid, galvanized	A	189,-	22,-	211,-
Castor Set, polyamide, Load capacity 1350 kg / castor set	A	185,-	15,-	200,-
EXPO-E 900, painted	A	906,-	186,-	1092,-
Lid, galvanized	A	215,-	27,-	242,-
Castor Set, polyamide, Load capacity 1350 kg / castor set	A	185,-	15,-	200,-
EXPO-E 900, hot-dip galvanized	A	1048,-	186,-	1234,-
Lid, galvanized	A	215,-	27,-	242,-
Castor Set, polyamide, Load capacity 1350 kg / castor set	A	185,-	15,-	200,-
EXPO-E 1200, painted	A	1012,-	273,-	1285,-
Lid, galvanized	A	215,-	26,-	241,-
Castor Set, polyamide, Load capacity 1350 kg / castor set	A	185,-	15,-	200,-
EXPO-E 1200, hot-dip galvanized	A	1163,-	273,-	1436,-
Lid, galvanized	A	215,-	26,-	241,-
Castor Set, polyamide, Load capacity 1350 kg / castor set	A	185,-	15,-	200,-
EXPO-E 1700, painted	A	1318,-	273,-	1591,-
Lid, galvanized	A	266,-	33,-	299,-
Castor Set, polyamide, Load capacity 1350 kg / castor set	A	185,-	15,-	200,-
EXPO-E 1700, hot-dip galvanized	A	1543,-	273,-	1816,-
Lid, galvanized	A	266,-	33,-	299,-
Castor Set, polyamide, Load capacity 1350 kg / castor set	A	185,-	15,-	200,-
EXPO-E 2100, painted	A	1437,-	273,-	1710,-
Lid, galvanized	A	347,-	36,-	383,-
Castor Set, polyamide, Load capacity 1350 kg / castor set	A	185,-	15,-	200,-
EXPO-E 2100, hot-dip galvanized	A	1708,-	273,-	1981,-
Lid, galvanized	A	347,-	36,-	383,-
Castor Set, polyamide, Load capacity 1350 kg / castor set	A	185,-	15,-	200,-

Container With Drop Away Base Type FB	Category	Price	Freight charges	Price including freight charges
FB 500, painted	A	781,-	186,-	967,-
Lid, galvanized	A	189,-	15,-	204,-
Castor Set, polyamide, Load capacity 1350 kg / castor set	A	185,-	15,-	200,-
Guiding Plates, galvanized	A	112,-	12,-	124,-
FB 500, hot-dip galvanized	A	960,-	186,-	1146,-
Lid, galvanized	A	189,-	15,-	204,-
Castor Set, polyamide, Load capacity 1350 kg / castor set	A	185,-	15,-	200,-
Guiding Plates, galvanized	A	112,-	12,-	124,-

Prices in EUR, valid EXW DE-46354 Südlohn, DE-38820 Halberstadt, unpacked
 Freight charges valid CPT Italy, islands and oversea territories excluded

Price List 0424 en-IT

Forklift Truck Attachments



Container With Drop Away Base Type FB	Category	Price	Freight charges	Price including freight charges
FB 750, painted	A	850,-	186,-	1036,-
Lid, galvanized	A	189,-	15,-	204,-
Castor Set, polyamide, Load capacity 1350 kg / castor set	A	185,-	15,-	200,-
Guiding Plates, galvanized	A	112,-	12,-	124,-
FB 750, hot-dip galvanized	A	1038,-	186,-	1224,-
Lid, galvanized	A	189,-	15,-	204,-
Castor Set, polyamide, Load capacity 1350 kg / castor set	A	185,-	15,-	200,-
Guiding Plates, galvanized	A	112,-	12,-	124,-
FB 1000, painted	A	910,-	186,-	1096,-
Lid, galvanized	A	229,-	18,-	247,-
Castor Set, polyamide, Load capacity 1350 kg / castor set	A	185,-	15,-	200,-
Guiding Plates, galvanized	A	112,-	12,-	124,-
FB 1000, hot-dip galvanized	A	1117,-	186,-	1303,-
Lid, galvanized	A	229,-	18,-	247,-
Castor Set, polyamide, Load capacity 1350 kg / castor set	A	185,-	15,-	200,-
Guiding Plates, galvanized	A	112,-	12,-	124,-
FB 1500, painted	A	1067,-	273,-	1340,-
Lid, galvanized	A	339,-	21,-	360,-
Castor Set, polyamide, Load capacity 1350 kg / castor set	A	185,-	15,-	200,-
Guiding Plates, galvanized	A	112,-	12,-	124,-
FB 1500, hot-dip galvanized	A	1344,-	273,-	1617,-
Lid, galvanized	A	339,-	21,-	360,-
Castor Set, polyamide, Load capacity 1350 kg / castor set	A	185,-	15,-	200,-
Guiding Plates, galvanized	A	112,-	12,-	124,-
FB 2000, painted	A	1151,-	273,-	1424,-
Lid, galvanized	A	339,-	21,-	360,-
Castor Set, polyamide, Load capacity 1350 kg / castor set	A	185,-	15,-	200,-
Guiding Plates, galvanized	A	112,-	12,-	124,-
FB 2000, hot-dip galvanized	A	1460,-	273,-	1733,-
Lid, galvanized	A	339,-	21,-	360,-
Castor Set, polyamide, Load capacity 1350 kg / castor set	A	185,-	15,-	200,-
Guiding Plates, galvanized	A	112,-	12,-	124,-
Drum Tipper Type FD/L-HK	Category	Price	Freight charges	Price including freight charges
FD/L-HK, painted	B	2245,-	186,-	2431,-
FD/L-HK, hot-dip galvanized	B	2671,-	186,-	2857,-
Drum Tipper Type FD/L-K	Category	Price	Freight charges	Price including freight charges
FD/L-K, painted	B	2429,-	186,-	2615,-
FD/L-K, hot-dip galvanized	B	2864,-	186,-	3050,-
Drum Tipper Type FD-H	Category	Price	Freight charges	Price including freight charges
FD-H, painted	B	2505,-	117,-	2622,-
FD-H, hot-dip galvanized	B	2732,-	117,-	2849,-

Prices in EUR, valid EXW DE-46354 Südlohn, DE-38820 Halberstadt, unpacked
Freight charges valid CPT Italy, islands and oversea territories excluded

Price List 0424 en-IT

Forklift Truck Attachments



Drum Tipper Type FD-HK	Category	Price	Freight charges	Price including freight charges
FD-HK, painted	B	1929,-	117,-	2046,-
FD-HK, hot-dip galvanized	B	2161,-	117,-	2278,-
Drum Tipper Type FD-K	Category	Price	Freight charges	Price including freight charges
FD-K, painted	B	2114,-	117,-	2231,-
FD-K, hot-dip galvanized	B	2354,-	117,-	2471,-
Drum Tipper Type FD-SK	Category	Price	Freight charges	Price including freight charges
FD-SK, painted	B	1929,-	117,-	2046,-
FD-SK, hot-dip galvanized	B	2161,-	117,-	2278,-
Drum Jack Type FH	Category	Price	Freight charges	Price including freight charges
FH-I 120, painted	B	1589,-	117,-	1706,-
FH-I 120, hot-dip galvanized	B	1761,-	117,-	1878,-
FH-I 220, painted	B	1589,-	117,-	1706,-
FH-I 220, hot-dip galvanized	B	1789,-	117,-	1906,-
FH-II 120, painted	B	2320,-	117,-	2437,-
FH-II 120, hot-dip galvanized	B	2582,-	117,-	2699,-
FH-II 220, painted	B	2320,-	117,-	2437,-
FH-II 220, hot-dip galvanized	B	2636,-	117,-	2753,-
Drum Gripper Type FK	Category	Price	Freight charges	Price including freight charges
FK-I, painted	B	1208,-	117,-	1325,-
FK-I, hot-dip galvanized	B	1472,-	117,-	1589,-
FK-II, painted	B	1437,-	186,-	1623,-
FK-II, hot-dip galvanized	B	1818,-	186,-	2004,-
Drum Clamp Type FKL	Category	Price	Freight charges	Price including freight charges
FKL, painted	B	463,-	50,-	513,-
Drum Tipper Type FLEX-HK	Category	Price	Freight charges	Price including freight charges
FLEX-HK, painted	B	2090,-	117,-	2207,-
Shelf Drum Pallet RP, galvanized	B	140,-	50,-	190,-
FLEX-HK, hot-dip galvanized	B	2258,-	117,-	2375,-
Shelf Drum Pallet RP, galvanized	B	140,-	50,-	190,-
Drum Tipper Type FLEX-K	Category	Price	Freight charges	Price including freight charges
FLEX-K, painted	B	2283,-	117,-	2400,-
Shelf Drum Pallet RP, galvanized	B	140,-	50,-	190,-
FLEX-K, hot-dip galvanized	B	2447,-	117,-	2564,-
Shelf Drum Pallet RP, galvanized	B	140,-	50,-	190,-
Drum Traverse Type FT/M	Category	Price	Freight charges	Price including freight charges
FT/M, galvanized	B	305,-	50,-	355,-

Prices in EUR, valid EXW DE-46354 Südlohn, DE-38820 Halberstadt, unpacked
Freight charges valid CPT Italy, islands and oversea territories excluded

Price List 0424 en-IT

Forklift Truck Attachments



Drum Traverse Type FT/MK	Category	Price	Freight charges	Price including freight charges
FT/MK, galvanized	B	349,-	50,-	399,-
Drum Turner Type FW	Category	Price	Freight charges	Price including freight charges
FW-I, painted	B	1342,-	186,-	1528,-
FW-I, hot-dip galvanized	B	1742,-	186,-	1928,-
FW-II, painted	B	1879,-	186,-	2065,-
FW-II, hot-dip galvanized	B	2447,-	186,-	2633,-
Drum Turning Claw Type FWZ	Category	Price	Freight charges	Price including freight charges
FWZ-60, painted	B	1309,-	117,-	1426,-
FWZ-60, hot-dip galvanized	B	1289,-	117,-	1406,-
FWZ-200, painted	B	1349,-	117,-	1466,-
FWZ-200, hot-dip galvanized	B	1329,-	117,-	1446,-
Fork Extensions Type GG	Category	Price	Freight charges	Price including freight charges
GG 80/40 (1600 mm long), painted	A	522,-	117,-	639,-
GG 80/40 (1800 mm long), painted	A	550,-	117,-	667,-
GG 80/40 (2000 mm long), painted	A	580,-	117,-	697,-
GG 100/40 (1600 mm long), painted	A	522,-	117,-	639,-
GG 100/40 (1800 mm long), painted	A	550,-	117,-	667,-
GG 100/40 (2000 mm long), painted	A	580,-	117,-	697,-
GG 100/45 (1600 mm long), painted	A	522,-	117,-	639,-
GG 100/45 (1800 mm long), painted	A	550,-	117,-	667,-
GG 100/45 (2000 mm long), painted	A	580,-	117,-	697,-
GG 100/50 (1600 mm long), painted	A	522,-	117,-	639,-
GG 100/50 (1800 mm long), painted	A	550,-	117,-	667,-
GG 100/50 (2000 mm long), painted	A	580,-	186,-	766,-
GG 120/40 (1600 mm long), painted	A	550,-	117,-	667,-
GG 120/40 (1800 mm long), painted	A	580,-	186,-	766,-
GG 120/40 (2000 mm long), painted	A	623,-	186,-	809,-
GG 120/50 (1600 mm long), painted	A	550,-	117,-	667,-
GG 120/50 (1800 mm long), painted	A	580,-	186,-	766,-
GG 120/50 (2000 mm long), painted	A	623,-	186,-	809,-
GG 125/45 (1600 mm long), painted	A	550,-	117,-	667,-
GG 125/45 (1800 mm long), painted	A	580,-	186,-	766,-
GG 125/45 (2000 mm long), painted	A	623,-	186,-	809,-
GG 125/50 (1600 mm long), painted	A	550,-	117,-	667,-
GG 125/50 (1800 mm long), painted	A	580,-	186,-	766,-
GG 125/50 (2000 mm long), painted	A	623,-	186,-	809,-
GG 150/50 (1600 mm long), painted	A	612,-	186,-	798,-
GG 150/50 (1800 mm long), painted	A	657,-	186,-	843,-
GG 150/50 (2000 mm long), painted	A	688,-	186,-	874,-
GG 150/70 (1600 mm long), painted	A	612,-	186,-	798,-
GG 150/70 (1800 mm long), painted	A	657,-	186,-	843,-
GG 150/70 (2000 mm long), painted	A	688,-	186,-	874,-

Prices in EUR, valid EXW DE-46354 Südlohn, DE-38820 Halberstadt, unpacked
Freight charges valid CPT Italy, islands and oversea territories excluded

Price List 0424 en-IT

Forklift Truck Attachments



Fork Extensions Type G0	Category	Price	Freight charges	Price including freight charges
GO 80/40 (1600 mm long), painted	A	376,-	117,-	493,-
GO 80/40 (1800 mm long), painted	A	382,-	117,-	499,-
GO 80/40 (2000 mm long), painted	A	397,-	117,-	514,-
GO 100/40 (1600 mm long), painted	A	376,-	117,-	493,-
GO 100/40 (1800 mm long), painted	A	382,-	117,-	499,-
GO 100/40 (2000 mm long), painted	A	397,-	117,-	514,-
GO 100/45 (1600 mm long), painted	A	376,-	117,-	493,-
GO 100/45 (1800 mm long), painted	A	382,-	117,-	499,-
GO 100/45 (2000 mm long), painted	A	397,-	117,-	514,-
GO 100/50 (1600 mm long), painted	A	376,-	117,-	493,-
GO 100/50 (1800 mm long), painted	A	382,-	117,-	499,-
GO 100/50 (2000 mm long), painted	A	397,-	117,-	514,-
GO 120/40 (1600 mm long), painted	A	382,-	117,-	499,-
GO 120/40 (1800 mm long), painted	A	403,-	117,-	520,-
GO 120/40 (2000 mm long), painted	A	420,-	117,-	537,-
GO 120/50 (1600 mm long), painted	A	382,-	117,-	499,-
GO 120/50 (1800 mm long), painted	A	403,-	117,-	520,-
GO 120/50 (2000 mm long), painted	A	420,-	117,-	537,-
GO 125/45 (1600 mm long), painted	A	382,-	117,-	499,-
GO 125/45 (1800 mm long), painted	A	403,-	117,-	520,-
GO 125/45 (2000 mm long), painted	A	420,-	117,-	537,-
GO 125/50 (1600 mm long), painted	A	382,-	117,-	499,-
GO 125/50 (1800 mm long), painted	A	403,-	117,-	520,-
GO 125/50 (2000 mm long), painted	A	420,-	117,-	537,-
GO 150/50 (1600 mm long), painted	A	458,-	117,-	575,-
GO 150/50 (1800 mm long), painted	A	498,-	117,-	615,-
GO 150/50 (2000 mm long), painted	A	536,-	117,-	653,-
GO 150/70 (1600 mm long), painted	A	458,-	117,-	575,-
GO 150/70 (1800 mm long), painted	A	498,-	117,-	615,-
GO 150/70 (2000 mm long), painted	A	536,-	117,-	653,-

Tilting Container Type GU	Category	Price	Freight charges	Price including freight charges
GU 300, painted	A	632,-	186,-	818,-
Lid, galvanized	A	94,-	18,-	112,-
Castor Set, polyamide, Load capacity 1350 kg / castor set	A	185,-	15,-	200,-
Skip Body Welded Oil and Watertight	A	75,-	0,-	75,-
Crane lifting eyes for use with a crane	A	102,-	8,-	110,-
Support legs, 100 mm ground leeway	A	67,-	8,-	75,-
GU 300, hot-dip galvanized	A	836,-	186,-	1022,-
Lid, galvanized	A	94,-	18,-	112,-
Castor Set, polyamide, Load capacity 1350 kg / castor set	A	185,-	15,-	200,-
Skip Body Welded Oil and Watertight	A	75,-	0,-	75,-
Crane lifting eyes for use with a crane	A	102,-	8,-	110,-
Support legs, 100 mm ground leeway	A	67,-	8,-	75,-
GU 500, painted	A	860,-	186,-	1046,-
Lid, galvanized	A	94,-	18,-	112,-

Prices in EUR, valid EXW DE-46354 Südlohn, DE-38820 Halberstadt, unpacked
 Freight charges valid CPT Italy, islands and oversea territories excluded

Price List 0424 en-IT

Forklift Truck Attachments



Tilting Container Type GU	Category	Price	Freight charges	Price including freight charges
Castor Set, polyamide, Load capacity 1350 kg / castor set	A	185,-	15,-	200,-
Skip Body Welded Oil and Watertight	A	75,-	0,-	75,-
Adjustable dumping brake	A	448,-	10,-	458,-
Crane lifting eyes for use with a crane	A	102,-	8,-	110,-
Support legs, 100 mm ground leeway	A	67,-	8,-	75,-
GU 500, hot-dip galvanized	A	1120,-	186,-	1306,-
Lid, galvanized	A	94,-	18,-	112,-
Castor Set, polyamide, Load capacity 1350 kg / castor set	A	185,-	15,-	200,-
Skip Body Welded Oil and Watertight	A	75,-	0,-	75,-
Adjustable dumping brake	A	448,-	10,-	458,-
Crane lifting eyes for use with a crane	A	102,-	8,-	110,-
Support legs, 100 mm ground leeway	A	67,-	8,-	75,-
GU 750, painted	A	1016,-	186,-	1202,-
Lid, galvanized	A	134,-	26,-	160,-
Castor Set, polyamide, Load capacity 1350 kg / castor set	A	185,-	15,-	200,-
Skip Body Welded Oil and Watertight	A	75,-	0,-	75,-
Adjustable dumping brake	A	448,-	10,-	458,-
Crane lifting eyes for use with a crane	A	102,-	8,-	110,-
Support legs, 100 mm ground leeway	A	67,-	8,-	75,-
GU 750, hot-dip galvanized	A	1324,-	186,-	1510,-
Lid, galvanized	A	134,-	26,-	160,-
Castor Set, polyamide, Load capacity 1350 kg / castor set	A	185,-	15,-	200,-
Skip Body Welded Oil and Watertight	A	75,-	0,-	75,-
Adjustable dumping brake	A	448,-	10,-	458,-
Crane lifting eyes for use with a crane	A	102,-	8,-	110,-
Support legs, 100 mm ground leeway	A	67,-	8,-	75,-
GU 1000, painted	A	1123,-	186,-	1309,-
Lid, galvanized	A	185,-	27,-	212,-
Castor Set, polyamide, Load capacity 1350 kg / castor set	A	185,-	15,-	200,-
Skip Body Welded Oil and Watertight	A	116,-	0,-	116,-
Adjustable dumping brake	A	448,-	10,-	458,-
Crane lifting eyes for use with a crane	A	102,-	8,-	110,-
Support legs, 100 mm ground leeway	A	67,-	8,-	75,-
GU 1000, hot-dip galvanized	A	1591,-	273,-	1864,-
Lid, galvanized	A	185,-	27,-	212,-
Castor Set, polyamide, Load capacity 1350 kg / castor set	A	185,-	15,-	200,-
Skip Body Welded Oil and Watertight	A	116,-	0,-	116,-
Adjustable dumping brake	A	448,-	10,-	458,-
Crane lifting eyes for use with a crane	A	102,-	8,-	110,-
Support legs, 100 mm ground leeway	A	67,-	8,-	75,-
GU 1500, painted	A	1311,-	273,-	1584,-
Lid, galvanized	A	185,-	27,-	212,-
Castor Set, polyamide, Load capacity 1350 kg / castor set	A	185,-	15,-	200,-
Skip Body Welded Oil and Watertight	A	116,-	0,-	116,-
Adjustable dumping brake	A	448,-	10,-	458,-
Crane lifting eyes for use with a crane	A	102,-	8,-	110,-

Prices in EUR, valid EXW DE-46354 Südlohn, DE-38820 Halberstadt, unpacked
Freight charges valid CPT Italy, islands and oversea territories excluded

Price List 0424 en-IT

Forklift Truck Attachments



Tilting Container Type GU	Category	Price	Freight charges	Price including freight charges
Support legs, 100 mm ground leeway	A	67,-	8,-	75,-
GU 1500, hot-dip galvanized	A	1709,-	273,-	1982,-
Lid, galvanized	A	185,-	27,-	212,-
Castor Set, polyamide, Load capacity 1350 kg / castor set	A	185,-	15,-	200,-
Skip Body Welded Oil and Watertight	A	116,-	0,-	116,-
Adjustable dumping brake	A	448,-	10,-	458,-
Crane lifting eyes for use with a crane	A	102,-	8,-	110,-
Support legs, 100 mm ground leeway	A	67,-	8,-	75,-
GU 2000, painted	A	1618,-	273,-	1891,-
Lid, galvanized	A	218,-	32,-	250,-
Castor Set, polyamide, Load capacity 1350 kg / castor set	A	185,-	15,-	200,-
Skip Body Welded Oil and Watertight	A	116,-	0,-	116,-
Adjustable dumping brake	A	448,-	10,-	458,-
Crane lifting eyes for use with a crane	A	102,-	8,-	110,-
Support legs, 100 mm ground leeway	A	67,-	8,-	75,-
GU 2000, hot-dip galvanized	A	2125,-	273,-	2398,-
Lid, galvanized	A	218,-	32,-	250,-
Castor Set, polyamide, Load capacity 1350 kg / castor set	A	185,-	15,-	200,-
Skip Body Welded Oil and Watertight	A	116,-	0,-	116,-
Adjustable dumping brake	A	448,-	10,-	458,-
Crane lifting eyes for use with a crane	A	102,-	8,-	110,-
Support legs, 100 mm ground leeway	A	67,-	8,-	75,-
Swarf Tilting Container Type GU-E	Category	Price	Freight charges	Price including freight charges
GU-E 300, painted	A	748,-	186,-	934,-
Lid, galvanized	A	94,-	18,-	112,-
Castor Set, polyamide, Load capacity 1350 kg / castor set	A	185,-	15,-	200,-
Crane lifting eyes for use with a crane	A	102,-	8,-	110,-
Support legs, 100 mm ground leeway	A	67,-	8,-	75,-
GU-E 300, hot-dip galvanized	A	952,-	186,-	1138,-
Lid, galvanized	A	94,-	18,-	112,-
Castor Set, polyamide, Load capacity 1350 kg / castor set	A	185,-	15,-	200,-
Crane lifting eyes for use with a crane	A	102,-	8,-	110,-
Support legs, 100 mm ground leeway	A	67,-	8,-	75,-
GU-E 500, painted	A	977,-	186,-	1163,-
Lid, galvanized	A	94,-	18,-	112,-
Castor Set, polyamide, Load capacity 1350 kg / castor set	A	185,-	15,-	200,-
Adjustable dumping brake	A	448,-	10,-	458,-
Crane lifting eyes for use with a crane	A	102,-	8,-	110,-
Support legs, 100 mm ground leeway	A	67,-	8,-	75,-
GU-E 500, hot-dip galvanized	A	1236,-	186,-	1422,-
Lid, galvanized	A	94,-	18,-	112,-
Castor Set, polyamide, Load capacity 1350 kg / castor set	A	185,-	15,-	200,-
Adjustable dumping brake	A	448,-	10,-	458,-
Crane lifting eyes for use with a crane	A	102,-	8,-	110,-
Support legs, 100 mm ground leeway	A	67,-	8,-	75,-

Prices in EUR, valid EXW DE-46354 Südlohn, DE-38820 Halberstadt, unpacked
Freight charges valid CPT Italy, islands and oversea territories excluded

Price List 0424 en-IT

Forklift Truck Attachments



Swarf Tilting Container Type GU-E	Category	Price	Freight charges	Price including freight charges
GU-E 750, painted	A	1132,-	186,-	1318,-
Lid, galvanized	A	134,-	26,-	160,-
Castor Set, polyamide, Load capacity 1350 kg / castor set	A	185,-	15,-	200,-
Adjustable dumping brake	A	448,-	10,-	458,-
Crane lifting eyes for use with a crane	A	102,-	8,-	110,-
Support legs, 100 mm ground leeway	A	67,-	8,-	75,-
GU-E 750, hot-dip galvanized	A	1440,-	186,-	1626,-
Lid, galvanized	A	134,-	26,-	160,-
Castor Set, polyamide, Load capacity 1350 kg / castor set	A	185,-	15,-	200,-
Adjustable dumping brake	A	448,-	10,-	458,-
Crane lifting eyes for use with a crane	A	102,-	8,-	110,-
Support legs, 100 mm ground leeway	A	67,-	8,-	75,-
GU-E 1000, painted	A	1280,-	186,-	1466,-
Lid, galvanized	A	185,-	27,-	212,-
Castor Set, polyamide, Load capacity 1350 kg / castor set	A	185,-	15,-	200,-
Adjustable dumping brake	A	448,-	10,-	458,-
Crane lifting eyes for use with a crane	A	102,-	8,-	110,-
Support legs, 100 mm ground leeway	A	67,-	8,-	75,-
GU-E 1000, hot-dip galvanized	A	1748,-	273,-	2021,-
Lid, galvanized	A	185,-	27,-	212,-
Castor Set, polyamide, Load capacity 1350 kg / castor set	A	185,-	15,-	200,-
Adjustable dumping brake	A	448,-	10,-	458,-
Crane lifting eyes for use with a crane	A	102,-	8,-	110,-
Support legs, 100 mm ground leeway	A	67,-	8,-	75,-
GU-E 1500, painted	A	1468,-	273,-	1741,-
Lid, galvanized	A	185,-	27,-	212,-
Castor Set, polyamide, Load capacity 1350 kg / castor set	A	185,-	15,-	200,-
Adjustable dumping brake	A	448,-	10,-	458,-
Crane lifting eyes for use with a crane	A	102,-	8,-	110,-
Support legs, 100 mm ground leeway	A	67,-	8,-	75,-
GU-E 1500, hot-dip galvanized	A	1866,-	273,-	2139,-
Lid, galvanized	A	185,-	27,-	212,-
Castor Set, polyamide, Load capacity 1350 kg / castor set	A	185,-	15,-	200,-
Adjustable dumping brake	A	448,-	10,-	458,-
Crane lifting eyes for use with a crane	A	102,-	8,-	110,-
Support legs, 100 mm ground leeway	A	67,-	8,-	75,-
GU-E 2000, painted	A	1775,-	273,-	2048,-
Lid, galvanized	A	218,-	32,-	250,-
Castor Set, polyamide, Load capacity 1350 kg / castor set	A	185,-	15,-	200,-
Adjustable dumping brake	A	448,-	10,-	458,-
Crane lifting eyes for use with a crane	A	102,-	8,-	110,-
Support legs, 100 mm ground leeway	A	67,-	8,-	75,-
GU-E 2000, hot-dip galvanized	A	2282,-	273,-	2555,-
Lid, galvanized	A	218,-	32,-	250,-
Castor Set, polyamide, Load capacity 1350 kg / castor set	A	185,-	15,-	200,-
Adjustable dumping brake	A	448,-	10,-	458,-

Prices in EUR, valid EXW DE-46354 Südlohn, DE-38820 Halberstadt, unpacked
Freight charges valid CPT Italy, islands and oversea territories excluded

Price List 0424 en-IT

Forklift Truck Attachments



Swarf Tilting Container Type GU-E	Category	Price	Freight charges	Price including freight charges
Crane lifting eyes for use with a crane	A	102,-	8,-	110,-
Support legs, 100 mm ground leeway	A	67,-	8,-	75,-

Tilting Container Type GU-RZ	Category	Price	Freight charges	Price including freight charges
GU-RZ 30, painted	A	675,-	186,-	861,-
Lid, galvanized	A	91,-	18,-	109,-
GU-RZ 30, hot-dip galvanized	A	752,-	186,-	938,-
Lid, galvanized	A	91,-	18,-	109,-
GU-RZ 55, painted	A	899,-	186,-	1085,-
Lid, galvanized	A	91,-	18,-	109,-
GU-RZ 55, hot-dip galvanized	A	991,-	186,-	1177,-
Lid, galvanized	A	91,-	18,-	109,-

Fork Protection Type GZS	Category	Price	Freight charges	Price including freight charges
GZS, painted	F	172,-	50,-	222,-

Container With Drop Away Base Type HKB	Category	Price	Freight charges	Price including freight charges
HKB 60, painted	A	1041,-	186,-	1227,-
HKB 60, hot-dip galvanized	A	1220,-	186,-	1406,-
HKB 70, painted	A	1101,-	186,-	1287,-
HKB 70, hot-dip galvanized	A	1295,-	186,-	1481,-
HKB 90, painted	A	1369,-	186,-	1555,-
HKB 90, hot-dip galvanized	A	1636,-	273,-	1909,-

Shovel Type HVR	Category	Price	Freight charges	Price including freight charges
HVR 50, painted	A	3278,-	273,-	3551,-
HVR 75, painted	A	3841,-	351,-	4192,-
HVR 80 L, painted	A	3956,-	351,-	4307,-
HVR 100, painted	A	4862,-	502,-	5364,-
HVR 150, painted	A	6214,-	502,-	6716,-

Kippomat Type KG-A	Category	Price	Freight charges	Price including freight charges
KG-A, hot-dip galvanized	A	3109,-	273,-	3382,-

Kippomat Type KG-B	Category	Price	Freight charges	Price including freight charges
KG-B, hot-dip galvanized	A	3030,-	273,-	3303,-

Kippomat Type KG-C	Category	Price	Freight charges	Price including freight charges
KG-C, hot-dip galvanized	A	2010,-	186,-	2196,-

Tipping Skip Type KK	Category	Price	Freight charges	Price including freight charges
KK 250, painted	E	467,-	117,-	584,-
Lid, galvanized	E	131,-	15,-	146,-
Castor Set, polyamide, Load capacity 1050 kg / castor set	A	131,-	15,-	146,-

Prices in EUR, valid EXW DE-46354 Südlohn, DE-38820 Halberstadt, unpacked
 Freight charges valid CPT Italy, islands and oversea territories excluded

Price List 0424 en-IT

Forklift Truck Attachments



Tipping Skip Type KK	Category	Price	Freight charges	Price including freight charges
Castor Set, solid rubber, Load capacity 615 kg / castor set	E	99,-	15,-	114,-
KK 250, hot-dip galvanized	E	515,-	117,-	632,-
Lid, galvanized	E	131,-	15,-	146,-
Castor Set, polyamide, Load capacity 1050 kg / castor set	A	131,-	15,-	146,-
Castor Set, solid rubber, Load capacity 615 kg / castor set	E	99,-	15,-	114,-
KK 400, painted	E	532,-	117,-	649,-
Lid, galvanized	E	150,-	16,-	166,-
Castor Set, polyamide, Load capacity 1050 kg / castor set	A	131,-	15,-	146,-
Castor Set, solid rubber, Load capacity 615 kg / castor set	E	99,-	15,-	114,-
KK 400, hot-dip galvanized	E	579,-	117,-	696,-
Lid, galvanized	E	150,-	16,-	166,-
Castor Set, polyamide, Load capacity 1050 kg / castor set	A	131,-	15,-	146,-
Castor Set, solid rubber, Load capacity 615 kg / castor set	E	99,-	15,-	114,-
KK 600, painted	E	738,-	186,-	924,-
Lid, galvanized	E	167,-	20,-	187,-
Castor Set, polyamide, Load capacity 1050 kg / castor set	A	131,-	15,-	146,-
Castor Set, solid rubber, Load capacity 615 kg / castor set	E	99,-	15,-	114,-
KK 600, hot-dip galvanized	E	835,-	186,-	1021,-
Castor Set, solid rubber, Load capacity 615 kg / castor set	E	99,-	15,-	114,-
Lid, galvanized	E	167,-	20,-	187,-
Castor Set, polyamide, Load capacity 1050 kg / castor set	A	131,-	15,-	146,-
KK 800, painted	E	795,-	186,-	981,-
Lid, galvanized	E	174,-	21,-	195,-
Castor Set, polyamide, Load capacity 1050 kg / castor set	A	131,-	15,-	146,-
Castor Set, solid rubber, Load capacity 615 kg / castor set	E	99,-	15,-	114,-
KK 800, hot-dip galvanized	E	898,-	186,-	1084,-
Lid, galvanized	E	174,-	21,-	195,-
Castor Set, polyamide, Load capacity 1050 kg / castor set	A	131,-	15,-	146,-
Castor Set, solid rubber, Load capacity 615 kg / castor set	E	99,-	15,-	114,-
KK 1000, painted	E	851,-	186,-	1037,-
Lid, galvanized	E	186,-	22,-	208,-
Castor Set, polyamide, Load capacity 1050 kg / castor set	A	131,-	15,-	146,-
Castor Set, solid rubber, Load capacity 615 kg / castor set	E	99,-	15,-	114,-
KK 1000, hot-dip galvanized	E	979,-	186,-	1165,-
Lid, galvanized	E	186,-	22,-	208,-
Castor Set, polyamide, Load capacity 1050 kg / castor set	A	131,-	15,-	146,-
Castor Set, solid rubber, Load capacity 615 kg / castor set	E	99,-	15,-	114,-
Kippomat Type KM	Category	Price	Freight charges	Price including freight charges
KM, hot-dip galvanized	A	3109,-	186,-	3295,-
Tipping Skip Type KN	Category	Price	Freight charges	Price including freight charges
KN 250, painted	E	467,-	117,-	584,-
Lid, galvanized	E	131,-	15,-	146,-
Castor Set, polyamide, Load capacity 1050 kg / castor set	A	131,-	15,-	146,-

Prices in EUR, valid EXW DE-46354 Südlohn, DE-38820 Halberstadt, unpacked
Freight charges valid CPT Italy, islands and oversea territories excluded

Price List 0424 en-IT

Forklift Truck Attachments



Tipping Skip Type KN	Category	Price	Freight charges	Price including freight charges
Castor Set, solid rubber, Load capacity 615 kg / castor set	E	99,-	15,-	114,-
KN 250, hot-dip galvanized	E	515,-	117,-	632,-
Lid, galvanized	E	131,-	15,-	146,-
Castor Set, polyamide, Load capacity 1050 kg / castor set	A	131,-	15,-	146,-
Castor Set, solid rubber, Load capacity 615 kg / castor set	E	99,-	15,-	114,-
KN 400, painted	E	532,-	117,-	649,-
Lid, galvanized	E	150,-	16,-	166,-
Castor Set, polyamide, Load capacity 1050 kg / castor set	A	131,-	15,-	146,-
Castor Set, solid rubber, Load capacity 615 kg / castor set	E	99,-	15,-	114,-
KN 400, hot-dip galvanized	E	579,-	117,-	696,-
Lid, galvanized	E	150,-	16,-	166,-
Castor Set, polyamide, Load capacity 1050 kg / castor set	A	131,-	15,-	146,-
Castor Set, solid rubber, Load capacity 615 kg / castor set	E	99,-	15,-	114,-

Tipping Skip Type KS	Category	Price	Freight charges	Price including freight charges
KS 400, painted	E	869,-	186,-	1055,-
KS 550, painted	E	931,-	186,-	1117,-
KS 700, painted	E	989,-	186,-	1175,-

Extensible Crane Arm Type KT	Category	Price	Freight charges	Price including freight charges
KT 2,5, painted	A	1399,-	186,-	1585,-
KT 2,5, hot-dip galvanized	A	1703,-	273,-	1976,-
KT 5,0, painted	A	1737,-	273,-	2010,-
KT 5,0, hot-dip galvanized	A	2166,-	273,-	2439,-

Extensible Crane Arm Type KTH	Category	Price	Freight charges	Price including freight charges
KTH 2,5, painted	A	1688,-	273,-	1961,-
KTH 2,5, hot-dip galvanized	A	1998,-	273,-	2271,-
KTH 5,0, painted	A	1943,-	273,-	2216,-
KTH 5,0, hot-dip galvanized	A	2292,-	273,-	2565,-

Extensible Crane Arm Type KTH-K	Category	Price	Freight charges	Price including freight charges
KTH-K 2,5, painted	A	1551,-	186,-	1737,-
KTH-K 2,5, hot-dip galvanized	A	1877,-	186,-	2063,-
KTH-K 5,0, painted	A	1789,-	186,-	1975,-
KTH-K 5,0, hot-dip galvanized	A	2156,-	273,-	2429,-

Extensible Crane Arm Type KT-K	Category	Price	Freight charges	Price including freight charges
KT-K 2,5, painted	A	1247,-	186,-	1433,-
KT-K 2,5, hot-dip galvanized	A	1567,-	186,-	1753,-
KT-K 5,0, painted	A	1570,-	186,-	1756,-
KT-K 5,0, hot-dip galvanized	A	2021,-	186,-	2207,-

Barrow Tipper Type KW-ET	Category	Price	Freight charges	Price including freight charges
KW-ET 250, painted	E	568,-	117,-	685,-

Prices in EUR, valid EXW DE-46354 Südlohn, DE-38820 Halberstadt, unpacked
Freight charges valid CPT Italy, islands and oversea territories excluded

Price List 0424 en-IT

Forklift Truck Attachments



Barrow Tipper Type KW-ET	Category	Price	Freight charges	Price including freight charges
Lid, galvanized	E	131,-	15,-	146,-
KW-ET 250, hot-dip galvanized	E	869,-	117,-	986,-
Lid, galvanized	E	131,-	15,-	146,-
KW-ET 400, painted	E	626,-	117,-	743,-
Lid, galvanized	E	150,-	16,-	166,-
KW-ET 400, hot-dip galvanized	E	964,-	117,-	1081,-
Lid, galvanized	E	150,-	16,-	166,-
KW-ET 600, painted	E	780,-	186,-	966,-
Lid, galvanized	E	167,-	20,-	187,-
KW-ET 600, hot-dip galvanized	E	1126,-	186,-	1312,-
Lid, galvanized	E	167,-	20,-	187,-
KW-ET 1000, painted	E	963,-	186,-	1149,-
Lid, galvanized	E	186,-	22,-	208,-
KW-ET 1000, hot-dip galvanized	E	1537,-	186,-	1723,-
Lid, galvanized	E	186,-	22,-	208,-

Loading Arm Type LA	Category	Price	Freight charges	Price including freight charges
LA 1600-1,0, painted	A	523,-	117,-	640,-
LA 1600-1,0, hot-dip galvanized	A	561,-	117,-	678,-
LA 1600-2,5, painted	A	759,-	117,-	876,-
LA 1600-2,5, hot-dip galvanized	A	895,-	117,-	1012,-
LA 1600-5,0, painted	A	1094,-	186,-	1280,-
LA 1600-5,0, hot-dip galvanized	A	1280,-	186,-	1466,-
LA 2400-1,0, painted	A	549,-	117,-	666,-
LA 2400-1,0, hot-dip galvanized	A	610,-	117,-	727,-
LA 2400-2,5, painted	A	847,-	186,-	1033,-
LA 2400-2,5, hot-dip galvanized	A	982,-	186,-	1168,-
LA 2400-5,0, painted	A	1207,-	186,-	1393,-
LA 2400-5,0, hot-dip galvanized	A	1429,-	186,-	1615,-
LA 25-1,0, painted	A	610,-	117,-	727,-
LA 25-1,0, hot-dip galvanized	A	659,-	117,-	776,-

Loading Arm Type LAT	Category	Price	Freight charges	Price including freight charges
LAT 25-1,0, painted	A	740,-	117,-	857,-
LAT 25-1,0, hot-dip galvanized	A	809,-	117,-	926,-

Scissor Gripper Type LG	Category	Price	Freight charges	Price including freight charges
LG 60, painted	B	236,-	50,-	286,-
LG 60, galvanized	B	215,-	50,-	265,-
LG 200, painted	B	236,-	50,-	286,-
LG 200, galvanized	B	215,-	50,-	265,-

Container for Long Material Type LGK	Category	Price	Freight charges	Price including freight charges
LGK, painted	A	1329,-	186,-	1515,-
Castor Set, polyamide, Load capacity 1350 kg / castor set	A	185,-	15,-	200,-

Prices in EUR, valid EXW DE-46354 Südlohn, DE-38820 Halberstadt, unpacked
 Freight charges valid CPT Italy, islands and oversea territories excluded

Price List 0424 en-IT

Forklift Truck Attachments



Container for Long Material Type LGK	Category	Price	Freight charges	Price including freight charges
LGK, hot-dip galvanized	A	1619,-	186,-	1805,-
Castor Set, polyamide, Load capacity 1350 kg / castor set	A	185,-	15,-	200,-

Long Material Carrier Type LGT	Category	Price	Freight charges	Price including freight charges
LGT 1,5, painted	A	1863,-	273,-	2136,-
LGT 1,5, hot-dip galvanized	A	2186,-	273,-	2459,-
LGT 2,5, painted	A	2090,-	on request	on request
LGT 2,5, hot-dip galvanized	A	2502,-	on request	on request
LGT 3,5, painted	A	2887,-	on request	on request
LGT 3,5, hot-dip galvanized	A	3545,-	on request	on request
LGT 4,5, painted	A	3190,-	on request	on request
LGT 4,5, hot-dip galvanized	A	3933,-	on request	on request

Drum Claw Type LGZ	Category	Price	Freight charges	Price including freight charges
LGZ 60, painted	B	217,-	50,-	267,-
LGZ 60, galvanized	B	203,-	50,-	253,-
LGZ 200, painted	B	217,-	50,-	267,-
LGZ 200, galvanized	B	203,-	50,-	253,-

Crane Hook Type LH	Category	Price	Freight charges	Price including freight charges
LH-I 1,0, painted	A	192,-	50,-	242,-
LH-I 1,0, hot-dip galvanized	A	215,-	50,-	265,-
LH-I 1,5, painted	A	210,-	50,-	260,-
LH-I 1,5, hot-dip galvanized	A	233,-	50,-	283,-
LH-I 2,0, painted	A	221,-	50,-	271,-
LH-I 2,0, hot-dip galvanized	A	245,-	50,-	295,-
LH-I 2,5, painted	A	246,-	50,-	296,-
LH-I 2,5, hot-dip galvanized	A	269,-	50,-	319,-
LH-I 3,0, painted	A	319,-	50,-	369,-
LH-I 3,0, hot-dip galvanized	A	343,-	50,-	393,-
LH-II 1,5, painted	A	317,-	50,-	367,-
LH-II 1,5, hot-dip galvanized	A	365,-	50,-	415,-
LH-II 2,5, painted	A	419,-	50,-	469,-
LH-II 2,5, hot-dip galvanized	A	498,-	50,-	548,-
LH-II 5,0, painted	A	695,-	117,-	812,-
LH-II 5,0, hot-dip galvanized	A	780,-	117,-	897,-
LH-II 7,5, painted	A	827,-	117,-	944,-
LH-II 7,5, hot-dip galvanized	A	916,-	117,-	1033,-

Long Load Handler Type LSL	Category	Price	Freight charges	Price including freight charges
LSL, painted	A	1102,-	186,-	1288,-
LSL, hot-dip galvanized	A	1265,-	186,-	1451,-

Long Material Sidecar Type LSW	Category	Price	Freight charges	Price including freight charges
LSW 1,3, painted	A	920,-	117,-	1037,-

Prices in EUR, valid EXW DE-46354 Südlohn, DE-38820 Halberstadt, unpacked
Freight charges valid CPT Italy, islands and oversea territories excluded

Price List 0424 en-IT

Forklift Truck Attachments



Long Material Sidecar Type LSW	Category	Price	Freight charges	Price including freight charges
LSW 1,3, hot-dip galvanized	A	982,-	186,-	1168,-
LSW 2,5, painted	A	1093,-	117,-	1210,-
LSW 2,5, hot-dip galvanized	A	1156,-	186,-	1342,-
Access Safety Platform Type MB-B	Category	Price	Freight charges	Price including freight charges
MB-B, painted	A	1048,-	186,-	1234,-
Castor Set, polyamide, Load capacity 1050 kg / castor set	A	131,-	15,-	146,-
Access Safety Platform Type MB-B/L	Category	Price	Freight charges	Price including freight charges
MB-B/L, painted	A	1230,-	186,-	1416,-
Castor Set, polyamide, Load capacity 1050 kg / castor set	A	131,-	15,-	146,-
Access Safety Platform Type MB-D	Category	Price	Freight charges	Price including freight charges
MB-D, painted	A	877,-	186,-	1063,-
Castor Set, polyamide, Load capacity 1050 kg / castor set	A	131,-	15,-	146,-
Access Safety Platform Type MB-D/L	Category	Price	Freight charges	Price including freight charges
MB-D/L, painted	A	1058,-	186,-	1244,-
Castor Set, polyamide, Load capacity 1050 kg / castor set	A	131,-	15,-	146,-
Access Safety Platform Type MB-F	Category	Price	Freight charges	Price including freight charges
MB-F, painted	A	1037,-	186,-	1223,-
Castor Set, polyamide, Load capacity 1050 kg / castor set	A	131,-	15,-	146,-
Access Safety Platform Type MB-II	Category	Price	Freight charges	Price including freight charges
MB-II, painted	A	960,-	186,-	1146,-
Castor Set, polyamide, Load capacity 1050 kg / castor set	A	131,-	15,-	146,-
MB-II, hot-dip galvanized	A	1131,-	186,-	1317,-
Castor Set, polyamide, Load capacity 1050 kg / castor set	A	131,-	15,-	146,-
Access Safety Platform Type MB-K-IV	Category	Price	Freight charges	Price including freight charges
MB-K-IV, painted	A	1943,-	236,-	2179,-
Access Safety Platform Type MB-ST	Category	Price	Freight charges	Price including freight charges
MB-ST, painted	A	2488,-	186,-	2674,-
Castor Set, polyamide, Load capacity 1050 kg / castor set	A	131,-	15,-	146,-
Access Safety Platform Type MB-ST/L	Category	Price	Freight charges	Price including freight charges
MB-ST/L, painted	A	2670,-	186,-	2856,-
Castor Set, polyamide, Load capacity 1050 kg / castor set	A	131,-	15,-	146,-
Access Safety Platform Type MB-ST/T	Category	Price	Freight charges	Price including freight charges
MB-ST/T, painted	A	2804,-	186,-	2990,-
Castor Set, polyamide, Load capacity 1050 kg / castor set	A	131,-	15,-	146,-

Prices in EUR, valid EXW DE-46354 Südlohn, DE-38820 Halberstadt, unpacked
Freight charges valid CPT Italy, islands and oversea territories excluded

Price List 0424 en-IT

Forklift Truck Attachments



Access Safety Platform Type MB-ST/T/L	Category	Price	Freight charges	Price including freight charges
MB-ST/T/L, painted	A	2987,-	186,-	3173,-
Castor Set, polyamide, Load capacity 1050 kg / castor set	A	131,-	15,-	146,-

Mini Tilting Container Type MGU	Category	Price	Freight charges	Price including freight charges
MGU 230, painted	A	549,-	117,-	666,-
Lid, galvanized	A	126,-	18,-	144,-
Castor Set, polyamide, Load capacity 1050 kg / castor set	A	150,-	15,-	165,-
Skip Body Welded Oil and Watertight	A	75,-	0,-	75,-
MGU 230, hot-dip galvanized	A	632,-	186,-	818,-
Lid, galvanized	A	126,-	18,-	144,-
Castor Set, polyamide, Load capacity 1050 kg / castor set	A	150,-	15,-	165,-
Skip Body Welded Oil and Watertight	A	75,-	0,-	75,-
MGU 270, painted	A	600,-	186,-	786,-
Lid, galvanized	A	126,-	18,-	144,-
Castor Set, polyamide, Load capacity 1050 kg / castor set	A	150,-	15,-	165,-
Skip Body Welded Oil and Watertight	A	75,-	0,-	75,-
MGU 270, hot-dip galvanized	A	704,-	186,-	890,-
Lid, galvanized	A	126,-	18,-	144,-
Castor Set, polyamide, Load capacity 1050 kg / castor set	A	150,-	15,-	165,-
Skip Body Welded Oil and Watertight	A	75,-	0,-	75,-
MGU 460, painted	A	787,-	186,-	973,-
Lid, galvanized	A	163,-	22,-	185,-
Castor Set, polyamide, Load capacity 1050 kg / castor set	A	150,-	15,-	165,-
Skip Body Welded Oil and Watertight	A	75,-	0,-	75,-
MGU 460, hot-dip galvanized	A	934,-	186,-	1120,-
Lid, galvanized	A	163,-	22,-	185,-
Castor Set, polyamide, Load capacity 1050 kg / castor set	A	150,-	15,-	165,-
Skip Body Welded Oil and Watertight	A	75,-	0,-	75,-
MGU 610, painted	A	887,-	186,-	1073,-
Lid, galvanized	A	174,-	26,-	200,-
Castor Set, polyamide, Load capacity 1050 kg / castor set	A	150,-	15,-	165,-
Skip Body Welded Oil and Watertight	A	75,-	0,-	75,-
MGU 610, hot-dip galvanized	A	1052,-	186,-	1238,-
Lid, galvanized	A	174,-	26,-	200,-
Castor Set, polyamide, Load capacity 1050 kg / castor set	A	150,-	15,-	165,-
Skip Body Welded Oil and Watertight	A	75,-	0,-	75,-

Wheelie Bin Jack Type MH	Category	Price	Freight charges	Price including freight charges
MH-I, painted	A	634,-	117,-	751,-
MH-II, painted	A	700,-	117,-	817,-
MH-III, painted	A	757,-	117,-	874,-

Wheelie Bin Tipper Type MK	Category	Price	Freight charges	Price including freight charges
MK 120, painted	A	1229,-	117,-	1346,-
MK 240, painted	A	1229,-	117,-	1346,-

Prices in EUR, valid EXW DE-46354 Südlohn, DE-38820 Halberstadt, unpacked
 Freight charges valid CPT Italy, islands and oversea territories excluded

Price List 0424 en-IT

Forklift Truck Attachments



Wheeler Bin Tipper Type MK-H	Category	Price	Freight charges	Price including freight charges
MK-H 120, painted	A	1837,-	117,-	1954,-
MK-H 240, painted	A	1837,-	186,-	2023,-

Mini Container With Drop Away Base Type MSB	Category	Price	Freight charges	Price including freight charges
MSB 150, painted	A	614,-	117,-	731,-
Castor Set, polyamide, Load capacity 1050 kg / castor set	A	150,-	15,-	165,-
Guiding Plates, galvanized	A	70,-	12,-	82,-
MSB 150, hot-dip galvanized	A	720,-	117,-	837,-
Castor Set, polyamide, Load capacity 1050 kg / castor set	A	150,-	15,-	165,-
Guiding Plates, galvanized	A	70,-	12,-	82,-
MSB 250, painted	A	666,-	117,-	783,-
Castor Set, polyamide, Load capacity 1050 kg / castor set	A	150,-	15,-	165,-
Guiding Plates, galvanized	A	70,-	12,-	82,-
MSB 250, hot-dip galvanized	A	798,-	117,-	915,-
Castor Set, polyamide, Load capacity 1050 kg / castor set	A	150,-	15,-	165,-
Guiding Plates, galvanized	A	70,-	12,-	82,-
MSB 400, painted	A	821,-	186,-	1007,-
Castor Set, polyamide, Load capacity 1050 kg / castor set	A	150,-	15,-	165,-
Guiding Plates, galvanized	A	70,-	12,-	82,-
MSB 400, hot-dip galvanized	A	983,-	186,-	1169,-
Castor Set, polyamide, Load capacity 1050 kg / castor set	A	150,-	15,-	165,-
Guiding Plates, galvanized	A	70,-	12,-	82,-

Tilting Container Type NK	Category	Price	Freight charges	Price including freight charges
NK 30, painted	A	676,-	186,-	862,-
Lid, galvanized	A	94,-	15,-	109,-
Castor Set, polyamide, Load capacity 1350 kg / castor set	A	185,-	15,-	200,-
Skip Body Welded Oil and Watertight	A	75,-	0,-	75,-
NK 30, hot-dip galvanized	A	950,-	186,-	1136,-
Lid, galvanized	A	94,-	15,-	109,-
Castor Set, polyamide, Load capacity 1350 kg / castor set	A	185,-	15,-	200,-
Skip Body Welded Oil and Watertight	A	75,-	0,-	75,-
NK 50, painted	A	950,-	186,-	1136,-
Lid, galvanized	A	94,-	18,-	112,-
Castor Set, polyamide, Load capacity 1350 kg / castor set	A	185,-	15,-	200,-
Skip Body Welded Oil and Watertight	A	75,-	0,-	75,-
NK 50, hot-dip galvanized	A	1282,-	186,-	1468,-
Lid, galvanized	A	94,-	18,-	112,-
Castor Set, polyamide, Load capacity 1350 kg / castor set	A	185,-	15,-	200,-
Skip Body Welded Oil and Watertight	A	75,-	0,-	75,-
NK 75, painted	A	1077,-	273,-	1350,-
Lid, galvanized	A	137,-	22,-	159,-
Castor Set, polyamide, Load capacity 1350 kg / castor set	A	185,-	15,-	200,-
Skip Body Welded Oil and Watertight	A	75,-	0,-	75,-
NK 75, hot-dip galvanized	A	1684,-	273,-	1957,-

Prices in EUR, valid EXW DE-46354 Südlohn, DE-38820 Halberstadt, unpacked
 Freight charges valid CPT Italy, islands and oversea territories excluded

Price List 0424 en-IT

Forklift Truck Attachments



Tilting Container Type NK	Category	Price	Freight charges	Price including freight charges
Lid, galvanized	A	137,-	22,-	159,-
Castor Set, polyamide, Load capacity 1350 kg / castor set	A	185,-	15,-	200,-
Skip Body Welded Oil and Watertight	A	75,-	0,-	75,-
NK 100, painted	A	1457,-	273,-	1730,-
Lid, galvanized	A	167,-	27,-	194,-
Castor Set, polyamide, Load capacity 1350 kg / castor set	A	185,-	15,-	200,-
Skip Body Welded Oil and Watertight	A	116,-	0,-	116,-
NK 100, hot-dip galvanized	A	2000,-	273,-	2273,-
Lid, galvanized	A	167,-	27,-	194,-
Castor Set, polyamide, Load capacity 1350 kg / castor set	A	185,-	15,-	200,-
Skip Body Welded Oil and Watertight	A	116,-	0,-	116,-
Cylindrical Container Type RB	Category	Price	Freight charges	Price including freight charges
RB 300, painted	A	656,-	117,-	773,-
Lid, aluminium	A	154,-	14,-	168,-
Castor Set, polyamide, Load capacity 1050 kg / castor set	A	150,-	15,-	165,-
RB 300, hot-dip galvanized	A	763,-	117,-	880,-
Lid, aluminium	A	154,-	14,-	168,-
Castor Set, polyamide, Load capacity 1050 kg / castor set	A	150,-	15,-	165,-
RB 450, painted	A	766,-	117,-	883,-
Lid, aluminium	A	154,-	14,-	168,-
Castor Set, polyamide, Load capacity 1050 kg / castor set	A	150,-	15,-	165,-
RB 450, hot-dip galvanized	A	895,-	117,-	1012,-
Lid, aluminium	A	154,-	14,-	168,-
Castor Set, polyamide, Load capacity 1050 kg / castor set	A	150,-	15,-	165,-
Tilting Container Type RD	Category	Price	Freight charges	Price including freight charges
RD 750, painted	A	1161,-	273,-	1434,-
Castor Set, polyamide, Load capacity 1350 kg / castor set	A	185,-	15,-	200,-
Skip Body Welded Oil and Watertight	A	75,-	0,-	75,-
RD 750, hot-dip galvanized	A	1547,-	273,-	1820,-
Castor Set, polyamide, Load capacity 1350 kg / castor set	A	185,-	15,-	200,-
Skip Body Welded Oil and Watertight	A	75,-	0,-	75,-
RD 1000, painted	A	1400,-	273,-	1673,-
Castor Set, polyamide, Load capacity 1350 kg / castor set	A	185,-	15,-	200,-
Skip Body Welded Oil and Watertight	A	116,-	0,-	116,-
RD 1000, hot-dip galvanized	A	1867,-	273,-	2140,-
Castor Set, polyamide, Load capacity 1350 kg / castor set	A	185,-	15,-	200,-
Skip Body Welded Oil and Watertight	A	116,-	0,-	116,-
Platform for Off-Cuts Type RGP	Category	Price	Freight charges	Price including freight charges
RGP-1, painted	A	2354,-	on request	on request
RGP-1, hot-dip galvanized	A	3012,-	on request	on request
RGP-2, painted	A	2578,-	on request	on request
RGP-2, hot-dip galvanized	A	3437,-	on request	on request

Prices in EUR, valid EXW DE-46354 Südlohn, DE-38820 Halberstadt, unpacked
Freight charges valid CPT Italy, islands and oversea territories excluded

Price List 0424 en-IT

Forklift Truck Attachments



Platform for Off-Cuts Type RGP	Category	Price	Freight charges	Price including freight charges
RGP-3, painted	A	2808,-	on request	on request
RGP-3, hot-dip galvanized	A	3783,-	on request	on request
Shunting Aid Type RH	Category	Price	Freight charges	Price including freight charges
RH, painted	A	411,-	50,-	461,-
Shunting Aid Type RH-AC	Category	Price	Freight charges	Price including freight charges
RH-AC, painted	A	2227,-	273,-	2500,-
Shunting Aid Type RH-RA	Category	Price	Freight charges	Price including freight charges
RH-RA, painted	A	1532,-	117,-	1649,-
Shunting Aid Type RH-RAK	Category	Price	Freight charges	Price including freight charges
RH-RAK, painted	A	1633,-	117,-	1750,-
Shunting Aid Type RH-RM	Category	Price	Freight charges	Price including freight charges
RH-RM, painted	A	1138,-	117,-	1255,-
Shunting Aid Type RH-RMK	Category	Price	Freight charges	Price including freight charges
RH-RMK, painted	A	1241,-	117,-	1358,-
Drum Lifter Type RS 60	Category	Price	Freight charges	Price including freight charges
RS 60-I, painted	B	978,-	117,-	1095,-
RS 60-I, hot-dip galvanized	B	1039,-	117,-	1156,-
RS 60-II, painted	B	1655,-	117,-	1772,-
RS 60-II, hot-dip galvanized	B	1737,-	117,-	1854,-
Drum Lifter Type RS	Category	Price	Freight charges	Price including freight charges
RS-I/91, painted	B	1643,-	186,-	1829,-
RS-I/91, hot-dip galvanized	B	1879,-	186,-	2065,-
RS-II/91, painted	B	2848,-	186,-	3034,-
RS-II/91, hot-dip galvanized	B	3207,-	186,-	3393,-
RS-I/M, painted	B	1503,-	117,-	1620,-
RS-I/M, hot-dip galvanized	B	1737,-	186,-	1923,-
RS-II/M, painted	B	2572,-	186,-	2758,-
RS-II/M, hot-dip galvanized	B	2927,-	186,-	3113,-
Drum Lifter Type RS/D 91	Category	Price	Freight charges	Price including freight charges
RS-I/D 91, painted	B	1437,-	186,-	1623,-
RS-I/D 91, hot-dip galvanized	B	1671,-	186,-	1857,-
RS-II/D 91, painted	B	2435,-	186,-	2621,-
RS-II/D 91, hot-dip galvanized	B	2789,-	186,-	2975,-

Prices in EUR, valid EXW DE-46354 Südlohn, DE-38820 Halberstadt, unpacked
Freight charges valid CPT Italy, islands and oversea territories excluded

Price List 0424 en-IT

Forklift Truck Attachments



Swarf Tilting Container Type S3S	Category	Price	Freight charges	Price including freight charges
S3S 300, painted	A	1311,-	186,-	1497,-
Lid, galvanized	A	168,-	18,-	186,-
Castor Set, polyamide, Load capacity 1050 kg / castor set	A	131,-	15,-	146,-
S3S 300, hot-dip galvanized	A	1404,-	273,-	1677,-
Lid, galvanized	A	168,-	18,-	186,-
Castor Set, polyamide, Load capacity 1050 kg / castor set	A	131,-	15,-	146,-
S3S 600, painted	A	1365,-	273,-	1638,-
Lid, galvanized	A	189,-	22,-	211,-
Castor Set, polyamide, Load capacity 1050 kg / castor set	A	131,-	15,-	146,-
S3S 600, hot-dip galvanized	A	1462,-	273,-	1735,-
Lid, galvanized	A	189,-	22,-	211,-
Castor Set, polyamide, Load capacity 1050 kg / castor set	A	131,-	15,-	146,-
Swarf Tilting Container Type S4A	Category	Price	Freight charges	Price including freight charges
S4A 600, painted	A	1228,-	186,-	1414,-
Lid, galvanized	A	189,-	22,-	211,-
S4A 600, hot-dip galvanized	A	1370,-	186,-	1556,-
Lid, galvanized	A	189,-	22,-	211,-
S4A 900, painted	A	1360,-	273,-	1633,-
Lid, galvanized	A	215,-	27,-	242,-
S4A 900, hot-dip galvanized	A	1541,-	273,-	1814,-
Lid, galvanized	A	215,-	27,-	242,-
S4A 1200, painted	A	1446,-	273,-	1719,-
Lid, galvanized	A	215,-	26,-	241,-
S4A 1200, hot-dip galvanized	A	1671,-	273,-	1944,-
Lid, galvanized	A	215,-	26,-	241,-
Container With Drop Away Base Type SB	Category	Price	Freight charges	Price including freight charges
SB 500, painted	B	966,-	186,-	1152,-
Lid, galvanized	B	138,-	16,-	154,-
Castor Set, polyamide, Load capacity 1350 kg / castor set	A	185,-	15,-	200,-
Castor Set, polyamide, Load capacity 2550 kg / castor set	A	366,-	15,-	381,-
SB 500, hot-dip galvanized	B	1258,-	186,-	1444,-
Lid, galvanized	B	138,-	16,-	154,-
Castor Set, polyamide, Load capacity 1350 kg / castor set	A	185,-	15,-	200,-
Castor Set, polyamide, Load capacity 2550 kg / castor set	A	366,-	15,-	381,-
SB 750, painted	B	1057,-	186,-	1243,-
Lid, galvanized	B	138,-	16,-	154,-
Castor Set, polyamide, Load capacity 1350 kg / castor set	A	185,-	15,-	200,-
Castor Set, polyamide, Load capacity 2550 kg / castor set	A	366,-	15,-	381,-
SB 750, hot-dip galvanized	B	1468,-	273,-	1741,-
Lid, galvanized	B	138,-	16,-	154,-
Castor Set, polyamide, Load capacity 1350 kg / castor set	A	185,-	15,-	200,-
Castor Set, polyamide, Load capacity 2550 kg / castor set	A	366,-	15,-	381,-
SB 1000, painted	B	1251,-	273,-	1524,-

Prices in EUR, valid EXW DE-46354 Südlohn, DE-38820 Halberstadt, unpacked
Freight charges valid CPT Italy, islands and oversea territories excluded

Price List 0424 en-IT

Forklift Truck Attachments



Container With Drop Away Base Type SB	Category	Price	Freight charges	Price including freight charges
Lid, galvanized	B	138,-	16,-	154,-
Castor Set, polyamide, Load capacity 1350 kg / castor set	A	185,-	15,-	200,-
Castor Set, polyamide, Load capacity 2550 kg / castor set	A	366,-	15,-	381,-
SB 1000, hot-dip galvanized	B	1740,-	273,-	2013,-
Lid, galvanized	B	138,-	16,-	154,-
Castor Set, polyamide, Load capacity 1350 kg / castor set	A	185,-	15,-	200,-
Castor Set, polyamide, Load capacity 2550 kg / castor set	A	366,-	15,-	381,-
SB 1500, painted	B	1695,-	273,-	1968,-
Lid, galvanized	B	245,-	21,-	266,-
Castor Set, polyamide, Load capacity 1350 kg / castor set	A	185,-	15,-	200,-
Castor Set, polyamide, Load capacity 2550 kg / castor set	A	366,-	15,-	381,-
SB 1500, hot-dip galvanized	B	2360,-	351,-	2711,-
Lid, galvanized	B	245,-	21,-	266,-
Castor Set, polyamide, Load capacity 1350 kg / castor set	A	185,-	15,-	200,-
Castor Set, polyamide, Load capacity 2550 kg / castor set	A	366,-	15,-	381,-
SB 2000, painted	B	1742,-	351,-	2093,-
Lid, galvanized	B	245,-	21,-	266,-
Castor Set, polyamide, Load capacity 1350 kg / castor set	A	185,-	15,-	200,-
Castor Set, polyamide, Load capacity 2550 kg / castor set	A	366,-	15,-	381,-
SB 2000, hot-dip galvanized	B	2493,-	351,-	2844,-
Lid, galvanized	B	245,-	21,-	266,-
Castor Set, polyamide, Load capacity 1350 kg / castor set	A	185,-	15,-	200,-
Castor Set, polyamide, Load capacity 2550 kg / castor set	A	366,-	15,-	381,-
Collecting System Type SBS	Category	Price	Freight charges	Price including freight charges
SBS 500, painted	C	385,-	186,-	571,-
Trolley TW 500, hot-dip galvanized	C	249,-	117,-	366,-
SBS 500, hot-dip galvanized	C	456,-	186,-	642,-
Trolley TW 500, hot-dip galvanized	C	249,-	117,-	366,-
SBS 1000, painted	C	491,-	186,-	677,-
Trolley TW 1000, hot-dip galvanized	C	286,-	117,-	403,-
SBS 1000, hot-dip galvanized	C	604,-	273,-	877,-
Trolley TW 1000, hot-dip galvanized	C	286,-	117,-	403,-
SBS 2000, painted	C	779,-	323,-	1102,-
Trolley TW 2000, hot-dip galvanized	C	487,-	117,-	604,-
SBS 2000, hot-dip galvanized	C	935,-	323,-	1258,-
Trolley TW 2000, hot-dip galvanized	C	487,-	117,-	604,-
Filling Hopper Type SBT	Category	Price	Freight charges	Price including freight charges
SBT, painted	A	1614,-	273,-	1887,-
Snowdozer Type SCH-F	Category	Price	Freight charges	Price including freight charges
SCH-F 150, painted	A	2157,-	273,-	2430,-
SCH-F 180, painted	A	2422,-	273,-	2695,-
SCH-F 210, painted	A	2722,-	273,-	2995,-

Prices in EUR, valid EXW DE-46354 Südlohn, DE-38820 Halberstadt, unpacked
Freight charges valid CPT Italy, islands and oversea territories excluded

Price List 0424 en-IT

Forklift Truck Attachments



Snowdozer Type SCH-F	Category	Price	Freight charges	Price including freight charges
SCH-F 240, painted	A	2990,-	401,-	3391,-
Snowdozer Type SCH-G	Category	Price	Freight charges	Price including freight charges
SCH-G 150, painted	A	1530,-	186,-	1716,-
SCH-G 180, painted	A	1671,-	186,-	1857,-
SCH-G 210, painted	A	1930,-	273,-	2203,-
SCH-G 240, painted	A	2086,-	323,-	2409,-
Snowdozer Type SCH-L	Category	Price	Freight charges	Price including freight charges
SCH-L 1500, painted	A	1142,-	186,-	1328,-
SCH-L 1500, hot-dip galvanized	A	1265,-	186,-	1451,-
SCH-L 1800, painted	A	1333,-	186,-	1519,-
SCH-L 1800, hot-dip galvanized	A	1480,-	186,-	1666,-
Snow Plough Type SCH-P-G	Category	Price	Freight charges	Price including freight charges
SCH-P-G 150, painted	A	2408,-	273,-	2681,-
SCH-P-G 180, painted	A	2586,-	273,-	2859,-
SCH-P-G 210, painted	A	2772,-	273,-	3045,-
SCH-P-G 240, painted	A	3292,-	323,-	3615,-
Snow Plough Type SCH-P-S	Category	Price	Freight charges	Price including freight charges
SCH-P-S 150, painted	A	2239,-	273,-	2512,-
SCH-P-S 180, painted	A	2392,-	273,-	2665,-
SCH-P-S 210, painted	A	2540,-	273,-	2813,-
SCH-P-S 240, painted	A	3022,-	323,-	3345,-
Snow Plough Type SCH-P-V	Category	Price	Freight charges	Price including freight charges
SCH-P-V 150, painted	A	2590,-	273,-	2863,-
SCH-P-V 180, painted	A	2849,-	273,-	3122,-
SCH-P-V 210, painted	A	3091,-	273,-	3364,-
SCH-P-V 240, painted	A	3614,-	323,-	3937,-
Snowdozer Type SCH-S	Category	Price	Freight charges	Price including freight charges
SCH-S 150, painted	A	1359,-	186,-	1545,-
SCH-S 180, painted	A	1476,-	186,-	1662,-
SCH-S 210, painted	A	1700,-	273,-	1973,-
SCH-S 240, painted	A	1816,-	323,-	2139,-
Snow Plough Type SCH-U-G	Category	Price	Freight charges	Price including freight charges
SCH-U-G 150, painted	A	2408,-	273,-	2681,-
SCH-U-G 180, painted	A	2586,-	273,-	2859,-
SCH-U-G 210, painted	A	2772,-	273,-	3045,-
SCH-U-G 240, painted	A	3292,-	323,-	3615,-

Prices in EUR, valid EXW DE-46354 Südlohn, DE-38820 Halberstadt, unpacked
Freight charges valid CPT Italy, islands and oversea territories excluded

Price List 0424 en-IT

Forklift Truck Attachments



Snow Plough Type SCH-U-S	Category	Price	Freight charges	Price including freight charges
SCH-U-S 150, painted	A	2239,-	273,-	2512,-
SCH-U-S 180, painted	A	2392,-	273,-	2665,-
SCH-U-S 210, painted	A	2540,-	273,-	2813,-
SCH-U-S 240, painted	A	3022,-	323,-	3345,-

Snow Plough Type SCH-U-V	Category	Price	Freight charges	Price including freight charges
SCH-U-V 150, painted	A	2590,-	273,-	2863,-
SCH-U-V 180, painted	A	2849,-	273,-	3122,-
SCH-U-V 210, painted	A	3091,-	273,-	3364,-
SCH-U-V 240, painted	A	3614,-	323,-	3937,-

Snowdozer Type SCH-V	Category	Price	Freight charges	Price including freight charges
SCH-V 150, painted	A	1709,-	186,-	1895,-
SCH-V 180, painted	A	1923,-	186,-	2109,-
SCH-V 210, painted	A	2252,-	273,-	2525,-
SCH-V 240, painted	A	2407,-	323,-	2730,-

Silo Container Type SG	Category	Price	Freight charges	Price including freight charges
SG 375, painted	E	979,-	186,-	1165,-
Lid, galvanized	E	126,-	28,-	154,-
SG 375, hot-dip galvanized	E	1700,-	186,-	1886,-
Lid, galvanized	E	126,-	28,-	154,-
SG 600, painted	E	1168,-	186,-	1354,-
Lid, galvanized	E	126,-	28,-	154,-
SG 600, hot-dip galvanized	E	1885,-	186,-	2071,-
Lid, galvanized	E	126,-	28,-	154,-

Silo Container Type SG-D	Category	Price	Freight charges	Price including freight charges
SG-D 375, painted	E	979,-	117,-	1096,-
Lid, galvanized	E	126,-	28,-	154,-
SG-D 375, hot-dip galvanized	E	1700,-	186,-	1886,-
Lid, galvanized	E	126,-	28,-	154,-
SG-D 600, painted	E	1168,-	186,-	1354,-
Lid, galvanized	E	126,-	28,-	154,-
SG-D 600, hot-dip galvanized	E	1885,-	186,-	2071,-
Lid, galvanized	E	126,-	28,-	154,-

Silo Container Type SGK	Category	Price	Freight charges	Price including freight charges
SGK 50, painted	A	1077,-	186,-	1263,-
SGK 50, hot-dip galvanized	A	1103,-	186,-	1289,-
SGK 75, painted	A	1172,-	186,-	1358,-
SGK 75, hot-dip galvanized	A	1208,-	186,-	1394,-
SGK 100, painted	A	1282,-	186,-	1468,-
SGK 100, hot-dip galvanized	A	1320,-	186,-	1506,-

Prices in EUR, valid EXW DE-46354 Südlohn, DE-38820 Halberstadt, unpacked
Freight charges valid CPT Italy, islands and oversea territories excluded

Price List 0424 en-IT

Forklift Truck Attachments



Silo Container Type SGS	Category	Price	Freight charges	Price including freight charges
SGS 50, painted	A	855,-	117,-	972,-
SGS 50, hot-dip galvanized	A	871,-	186,-	1057,-
SGS 75, painted	A	948,-	186,-	1134,-
SGS 75, hot-dip galvanized	A	980,-	186,-	1166,-
SGS 100, painted	A	1041,-	186,-	1227,-
SGS 100, hot-dip galvanized	A	1072,-	186,-	1258,-
Swarf Tilting Container Type SGU	Category	Price	Freight charges	Price including freight charges
SGU 30, painted	A	908,-	186,-	1094,-
Lid, galvanized	A	94,-	18,-	112,-
Castor Set, polyamide, Load capacity 1350 kg / castor set	A	185,-	15,-	200,-
Crane lifting eyes for use with a crane	A	102,-	8,-	110,-
Support legs, 100 mm ground leeway	A	67,-	8,-	75,-
SGU 30, hot-dip galvanized	A	1079,-	186,-	1265,-
Lid, galvanized	A	94,-	18,-	112,-
Castor Set, polyamide, Load capacity 1350 kg / castor set	A	185,-	15,-	200,-
Crane lifting eyes for use with a crane	A	102,-	8,-	110,-
Support legs, 100 mm ground leeway	A	67,-	8,-	75,-
SGU 50, painted	A	1123,-	186,-	1309,-
Lid, galvanized	A	94,-	18,-	112,-
Castor Set, polyamide, Load capacity 1350 kg / castor set	A	185,-	15,-	200,-
Adjustable dumping brake	A	448,-	10,-	458,-
Crane lifting eyes for use with a crane	A	102,-	8,-	110,-
Support legs, 100 mm ground leeway	A	67,-	8,-	75,-
SGU 50, hot-dip galvanized	A	1359,-	186,-	1545,-
Lid, galvanized	A	94,-	18,-	112,-
Castor Set, polyamide, Load capacity 1350 kg / castor set	A	185,-	15,-	200,-
Adjustable dumping brake	A	448,-	10,-	458,-
Crane lifting eyes for use with a crane	A	102,-	8,-	110,-
Support legs, 100 mm ground leeway	A	67,-	8,-	75,-
SGU 75, painted	A	1267,-	186,-	1453,-
Lid, galvanized	A	134,-	26,-	160,-
Castor Set, polyamide, Load capacity 1350 kg / castor set	A	185,-	15,-	200,-
Adjustable dumping brake	A	448,-	10,-	458,-
Crane lifting eyes for use with a crane	A	102,-	8,-	110,-
Support legs, 100 mm ground leeway	A	67,-	8,-	75,-
SGU 75, hot-dip galvanized	A	1568,-	186,-	1754,-
Lid, galvanized	A	134,-	26,-	160,-
Castor Set, polyamide, Load capacity 1350 kg / castor set	A	185,-	15,-	200,-
Adjustable dumping brake	A	448,-	10,-	458,-
Crane lifting eyes for use with a crane	A	102,-	8,-	110,-
Support legs, 100 mm ground leeway	A	67,-	8,-	75,-
SGU 100, painted	A	1517,-	273,-	1790,-
Lid, galvanized	A	185,-	27,-	212,-
Castor Set, polyamide, Load capacity 1350 kg / castor set	A	185,-	15,-	200,-
Adjustable dumping brake	A	448,-	10,-	458,-

Prices in EUR, valid EXW DE-46354 Südlohn, DE-38820 Halberstadt, unpacked
Freight charges valid CPT Italy, islands and oversea territories excluded

Price List 0424 en-IT

Forklift Truck Attachments



Swarf Tilting Container Type SGU	Category	Price	Freight charges	Price including freight charges
Crane lifting eyes for use with a crane	A	102,-	8,-	110,-
Support legs, 100 mm ground leeway	A	67,-	8,-	75,-
SGU 100, hot-dip galvanized	A	2048,-	273,-	2321,-
Lid, galvanized	A	185,-	27,-	212,-
Castor Set, polyamide, Load capacity 1350 kg / castor set	A	185,-	15,-	200,-
Adjustable dumping brake	A	448,-	10,-	458,-
Crane lifting eyes for use with a crane	A	102,-	8,-	110,-
Support legs, 100 mm ground leeway	A	67,-	8,-	75,-
SGU 150, painted	A	1704,-	273,-	1977,-
Lid, galvanized	A	185,-	27,-	212,-
Castor Set, polyamide, Load capacity 1350 kg / castor set	A	185,-	15,-	200,-
Adjustable dumping brake	A	448,-	10,-	458,-
Crane lifting eyes for use with a crane	A	102,-	8,-	110,-
Support legs, 100 mm ground leeway	A	67,-	8,-	75,-
SGU 150, hot-dip galvanized	A	2166,-	273,-	2439,-
Lid, galvanized	A	185,-	27,-	212,-
Castor Set, polyamide, Load capacity 1350 kg / castor set	A	185,-	15,-	200,-
Adjustable dumping brake	A	448,-	10,-	458,-
Crane lifting eyes for use with a crane	A	102,-	8,-	110,-
Support legs, 100 mm ground leeway	A	67,-	8,-	75,-
SGU 200, painted	A	2140,-	351,-	2491,-
Lid, galvanized	A	218,-	32,-	250,-
Castor Set, polyamide, Load capacity 1350 kg / castor set	A	185,-	15,-	200,-
Adjustable dumping brake	A	448,-	10,-	458,-
Crane lifting eyes for use with a crane	A	102,-	8,-	110,-
Support legs, 100 mm ground leeway	A	67,-	8,-	75,-
SGU 200, hot-dip galvanized	A	2685,-	351,-	3036,-
Castor Set, polyamide, Load capacity 1350 kg / castor set	A	185,-	15,-	200,-
Lid, galvanized	A	218,-	32,-	250,-
Adjustable dumping brake	A	448,-	10,-	458,-
Crane lifting eyes for use with a crane	A	102,-	8,-	110,-
Support legs, 100 mm ground leeway	A	67,-	8,-	75,-
Swarf Tilting Container Type SGU-RZ	Category	Price	Freight charges	Price including freight charges
SGU-RZ 30, painted	A	939,-	186,-	1125,-
Lid, galvanized	A	91,-	18,-	109,-
SGU-RZ 30, hot-dip galvanized	A	1059,-	186,-	1245,-
Lid, galvanized	A	91,-	18,-	109,-
SGU-RZ 55, painted	A	1161,-	186,-	1347,-
Lid, galvanized	A	91,-	18,-	109,-
SGU-RZ 55, hot-dip galvanized	A	1269,-	186,-	1455,-
Lid, galvanized	A	91,-	18,-	109,-
Gritter Type SH	Category	Price	Freight charges	Price including freight charges
SH, painted	A	3448,-	186,-	3634,-

Prices in EUR, valid EXW DE-46354 Südlohn, DE-38820 Halberstadt, unpacked
Freight charges valid CPT Italy, islands and oversea territories excluded

Price List 0424 en-IT

Forklift Truck Attachments



Gritter Type SH	Category	Price	Freight charges	Price including freight charges
Tarpaulin	A	117,-	10,-	127,-
Forklift Safety Cage Type SIKO	Category	Price	Freight charges	Price including freight charges
SIKO, painted	A	701,-	117,-	818,-
Castor Set, polyamide, Load capacity 1050 kg / castor set	A	131,-	15,-	146,-
Forklift Safety Cage Type SIKO/L	Category	Price	Freight charges	Price including freight charges
SIKO/L, painted	A	848,-	117,-	965,-
Castor Set, polyamide, Load capacity 1050 kg / castor set	A	131,-	15,-	146,-
Forklift Safety Cage Type SIKO-G	Category	Price	Freight charges	Price including freight charges
SIKO-G, painted	A	634,-	117,-	751,-
Forklift Safety Cage Type SIKO-M	Category	Price	Freight charges	Price including freight charges
SIKO-M, painted	A	511,-	117,-	628,-
Heavy Duty Tilting Container Type SK	Category	Price	Freight charges	Price including freight charges
SK 300, painted	A	1237,-	273,-	1510,-
Lid, galvanized	A	168,-	18,-	186,-
Castor Set, polyamide, Load capacity 2550 kg / castor set	A	366,-	15,-	381,-
Skip Body Welded Oil and Watertight	A	75,-	0,-	75,-
SK 300, hot-dip galvanized	A	1502,-	273,-	1775,-
Lid, galvanized	A	168,-	18,-	186,-
Castor Set, polyamide, Load capacity 2550 kg / castor set	A	366,-	15,-	381,-
Skip Body Welded Oil and Watertight	A	75,-	0,-	75,-
SK 600, painted	A	1339,-	273,-	1612,-
Lid, galvanized	A	189,-	22,-	211,-
Castor Set, polyamide, Load capacity 2550 kg / castor set	A	366,-	15,-	381,-
Skip Body Welded Oil and Watertight	A	75,-	0,-	75,-
SK 600, hot-dip galvanized	A	1665,-	351,-	2016,-
Lid, galvanized	A	189,-	22,-	211,-
Castor Set, polyamide, Load capacity 2550 kg / castor set	A	366,-	15,-	381,-
Skip Body Welded Oil and Watertight	A	75,-	0,-	75,-
SK 900, painted	A	1458,-	351,-	1809,-
Lid, galvanized	A	215,-	27,-	242,-
Castor Set, polyamide, Load capacity 2550 kg / castor set	A	366,-	15,-	381,-
Skip Body Welded Oil and Watertight	A	75,-	0,-	75,-
SK 900, hot-dip galvanized	A	1875,-	351,-	2226,-
Lid, galvanized	A	215,-	27,-	242,-
Castor Set, polyamide, Load capacity 2550 kg / castor set	A	366,-	15,-	381,-
Skip Body Welded Oil and Watertight	A	75,-	0,-	75,-
SK 1200, painted	A	1710,-	351,-	2061,-
Lid, galvanized	A	215,-	26,-	241,-
Castor Set, polyamide, Load capacity 2550 kg / castor set	A	366,-	15,-	381,-
Skip Body Welded Oil and Watertight	A	116,-	0,-	116,-

Prices in EUR, valid EXW DE-46354 Südlohn, DE-38820 Halberstadt, unpacked
Freight charges valid CPT Italy, islands and oversea territories excluded

Price List 0424 en-IT

Forklift Truck Attachments



Heavy Duty Tilting Container Type SK	Category	Price	Freight charges	Price including freight charges
SK 1200, hot-dip galvanized	A	2200,-	502,-	2702,-
Lid, galvanized	A	215,-	26,-	241,-
Castor Set, polyamide, Load capacity 2550 kg / castor set	A	366,-	15,-	381,-
Skip Body Welded Oil and Watertight	A	116,-	0,-	116,-
SK 1700, painted	A	1799,-	502,-	2301,-
Lid, galvanized	A	266,-	33,-	299,-
Castor Set, polyamide, Load capacity 2550 kg / castor set	A	366,-	15,-	381,-
Skip Body Welded Oil and Watertight	A	116,-	0,-	116,-
SK 1700, hot-dip galvanized	A	2407,-	502,-	2909,-
Lid, galvanized	A	266,-	33,-	299,-
Castor Set, polyamide, Load capacity 2550 kg / castor set	A	366,-	15,-	381,-
Skip Body Welded Oil and Watertight	A	116,-	0,-	116,-
SK 2100, painted	A	1963,-	502,-	2465,-
Lid, galvanized	A	347,-	36,-	383,-
Castor Set, polyamide, Load capacity 2550 kg / castor set	A	366,-	15,-	381,-
Skip Body Welded Oil and Watertight	A	116,-	0,-	116,-
SK 2100, hot-dip galvanized	A	2646,-	502,-	3148,-
Lid, galvanized	A	347,-	36,-	383,-
Castor Set, polyamide, Load capacity 2550 kg / castor set	A	366,-	15,-	381,-
Skip Body Welded Oil and Watertight	A	116,-	0,-	116,-
Broom Type SKB	Category	Price	Freight charges	Price including freight charges
SKB 100, painted	A	925,-	117,-	1042,-
SKB 150, painted	A	1156,-	117,-	1273,-
SKB 200, painted	A	1425,-	117,-	1542,-
Broom Type SKB-0	Category	Price	Freight charges	Price including freight charges
SKB-0 100, painted	A	635,-	117,-	752,-
SKB-0 150, painted	A	867,-	117,-	984,-
SKB-0 200, painted	A	1136,-	117,-	1253,-
Swarf Tipping Skip Type SKK	Category	Price	Freight charges	Price including freight charges
SKK 250, painted	E	515,-	117,-	632,-
Lid, galvanized	E	131,-	15,-	146,-
Castor Set, polyamide, Load capacity 1050 kg / castor set	A	131,-	15,-	146,-
Castor Set, solid rubber, Load capacity 615 kg / castor set	E	99,-	15,-	114,-
SKK 250, hot-dip galvanized	E	563,-	117,-	680,-
Lid, galvanized	E	131,-	15,-	146,-
Castor Set, polyamide, Load capacity 1050 kg / castor set	A	131,-	15,-	146,-
Castor Set, solid rubber, Load capacity 615 kg / castor set	E	99,-	15,-	114,-
SKK 400, painted	E	579,-	117,-	696,-
Lid, galvanized	E	150,-	16,-	166,-
Castor Set, polyamide, Load capacity 1050 kg / castor set	A	131,-	15,-	146,-
Castor Set, solid rubber, Load capacity 615 kg / castor set	E	99,-	15,-	114,-
SKK 400, hot-dip galvanized	E	627,-	117,-	744,-

Prices in EUR, valid EXW DE-46354 Südlohn, DE-38820 Halberstadt, unpacked
Freight charges valid CPT Italy, islands and oversea territories excluded

Price List 0424 en-IT

Forklift Truck Attachments



Swarf Tipping Skip Type SKK	Category	Price	Freight charges	Price including freight charges
Lid, galvanized	E	150,-	16,-	166,-
Castor Set, polyamide, Load capacity 1050 kg / castor set	A	131,-	15,-	146,-
Castor Set, solid rubber, Load capacity 615 kg / castor set	E	99,-	15,-	114,-
SKK 600, painted	E	787,-	186,-	973,-
Lid, galvanized	E	167,-	20,-	187,-
Castor Set, polyamide, Load capacity 1050 kg / castor set	A	131,-	15,-	146,-
Castor Set, solid rubber, Load capacity 615 kg / castor set	E	99,-	15,-	114,-
SKK 600, hot-dip galvanized	E	883,-	186,-	1069,-
Lid, galvanized	E	167,-	20,-	187,-
Castor Set, polyamide, Load capacity 1050 kg / castor set	A	131,-	15,-	146,-
Castor Set, solid rubber, Load capacity 615 kg / castor set	E	99,-	15,-	114,-
SKK 800, painted	E	842,-	186,-	1028,-
Lid, galvanized	E	174,-	21,-	195,-
Castor Set, polyamide, Load capacity 1050 kg / castor set	A	131,-	15,-	146,-
Castor Set, solid rubber, Load capacity 615 kg / castor set	E	99,-	15,-	114,-
SKK 800, hot-dip galvanized	E	946,-	186,-	1132,-
Lid, galvanized	E	174,-	21,-	195,-
Castor Set, polyamide, Load capacity 1050 kg / castor set	A	131,-	15,-	146,-
Castor Set, solid rubber, Load capacity 615 kg / castor set	E	99,-	15,-	114,-
SKK 1000, painted	E	898,-	186,-	1084,-
Lid, galvanized	E	186,-	22,-	208,-
Castor Set, polyamide, Load capacity 1050 kg / castor set	A	131,-	15,-	146,-
Castor Set, solid rubber, Load capacity 615 kg / castor set	E	99,-	15,-	114,-
SKK 1000, hot-dip galvanized	E	1027,-	186,-	1213,-
Lid, galvanized	E	186,-	22,-	208,-
Castor Set, polyamide, Load capacity 1050 kg / castor set	A	131,-	15,-	146,-
Castor Set, solid rubber, Load capacity 615 kg / castor set	E	99,-	15,-	114,-

Swarf Tilting Container Type SKM	Category	Price	Freight charges	Price including freight charges
SKM 30, painted	A	917,-	186,-	1103,-
Lid, galvanized	A	100,-	18,-	118,-
SKM 30, hot-dip galvanized	A	1109,-	186,-	1295,-
Lid, galvanized	A	100,-	18,-	118,-
SKM 50, painted	A	1178,-	186,-	1364,-
Lid, galvanized	A	152,-	28,-	180,-
SKM 50, hot-dip galvanized	A	1428,-	186,-	1614,-
Lid, galvanized	A	152,-	28,-	180,-
SKM 75, painted	A	1419,-	186,-	1605,-
Lid, galvanized	A	169,-	33,-	202,-
SKM 75, hot-dip galvanized	A	1729,-	273,-	2002,-
Lid, galvanized	A	169,-	33,-	202,-

Swarf Tipping Skip Type SKN	Category	Price	Freight charges	Price including freight charges
SKN 250, painted	E	515,-	117,-	632,-
Lid, galvanized	E	131,-	15,-	146,-

Prices in EUR, valid EXW DE-46354 Südlohn, DE-38820 Halberstadt, unpacked
 Freight charges valid CPT Italy, islands and oversea territories excluded

Price List 0424 en-IT

Forklift Truck Attachments



Swarf Tipping Skip Type SKN	Category	Price	Freight charges	Price including freight charges
Castor Set, polyamide, Load capacity 1050 kg / castor set	A	131,-	15,-	146,-
Castor Set, solid rubber, Load capacity 615 kg / castor set	E	99,-	15,-	114,-
SKN 250, hot-dip galvanized	E	563,-	117,-	680,-
Lid, galvanized	E	131,-	15,-	146,-
Castor Set, polyamide, Load capacity 1050 kg / castor set	A	131,-	15,-	146,-
Castor Set, solid rubber, Load capacity 615 kg / castor set	E	99,-	15,-	114,-
SKN 400, painted	E	579,-	117,-	696,-
Lid, galvanized	E	150,-	16,-	166,-
Castor Set, polyamide, Load capacity 1050 kg / castor set	A	131,-	15,-	146,-
Castor Set, solid rubber, Load capacity 615 kg / castor set	E	99,-	15,-	114,-
SKN 400, hot-dip galvanized	E	627,-	117,-	744,-
Lid, galvanized	E	150,-	16,-	166,-
Castor Set, polyamide, Load capacity 1050 kg / castor set	A	131,-	15,-	146,-
Castor Set, solid rubber, Load capacity 615 kg / castor set	E	99,-	15,-	114,-
Swarf Tipping Skip Type SKS	Category	Price	Freight charges	Price including freight charges
SKS 400, painted	E	914,-	186,-	1100,-
SKS 550, painted	E	978,-	186,-	1164,-
SKS 700, painted	E	1035,-	186,-	1221,-
Swarf Barrow Tipper Type SKW-ET	Category	Price	Freight charges	Price including freight charges
SKW-ET 250, painted	E	616,-	117,-	733,-
Lid, galvanized	E	131,-	15,-	146,-
SKW-ET 250, hot-dip galvanized	E	942,-	117,-	1059,-
Lid, galvanized	E	131,-	15,-	146,-
SKW-ET 400, painted	E	673,-	117,-	790,-
Lid, galvanized	E	150,-	16,-	166,-
SKW-ET 400, hot-dip galvanized	E	1034,-	117,-	1151,-
Lid, galvanized	E	150,-	16,-	166,-
SKW-ET 600, painted	E	822,-	186,-	1008,-
Lid, galvanized	E	167,-	20,-	187,-
SKW-ET 600, hot-dip galvanized	E	1191,-	186,-	1377,-
Lid, galvanized	E	167,-	20,-	187,-
SKW-ET 1000, painted	E	997,-	186,-	1183,-
Lid, galvanized	E	186,-	22,-	208,-
SKW-ET 1000, hot-dip galvanized	E	1587,-	186,-	1773,-
Lid, galvanized	E	186,-	22,-	208,-
Mini Swarf Tilting Container Type SMGU	Category	Price	Freight charges	Price including freight charges
SMGU 230, painted	A	665,-	117,-	782,-
Lid, galvanized	A	126,-	18,-	144,-
Castor Set, polyamide, Load capacity 1050 kg / castor set	A	150,-	15,-	165,-
SMGU 230, hot-dip galvanized	A	748,-	186,-	934,-
Lid, galvanized	A	126,-	18,-	144,-
Castor Set, polyamide, Load capacity 1050 kg / castor set	A	150,-	15,-	165,-

Prices in EUR, valid EXW DE-46354 Südlohn, DE-38820 Halberstadt, unpacked
Freight charges valid CPT Italy, islands and oversea territories excluded

Price List 0424 en-IT

Forklift Truck Attachments



Mini Swarf Tilting Container Type SMGU	Category	Price	Freight charges	Price including freight charges
SMGU 270, painted	A	718,-	186,-	904,-
Lid, galvanized	A	126,-	18,-	144,-
Castor Set, polyamide, Load capacity 1050 kg / castor set	A	150,-	15,-	165,-
SMGU 270, hot-dip galvanized	A	821,-	186,-	1007,-
Lid, galvanized	A	126,-	18,-	144,-
Castor Set, polyamide, Load capacity 1050 kg / castor set	A	150,-	15,-	165,-
SMGU 460, painted	A	903,-	186,-	1089,-
Lid, galvanized	A	163,-	22,-	185,-
Castor Set, polyamide, Load capacity 1050 kg / castor set	A	150,-	15,-	165,-
SMGU 460, hot-dip galvanized	A	1051,-	186,-	1237,-
Lid, galvanized	A	163,-	22,-	185,-
Castor Set, polyamide, Load capacity 1050 kg / castor set	A	150,-	15,-	165,-
SMGU 610, painted	A	1005,-	186,-	1191,-
Lid, galvanized	A	174,-	26,-	200,-
Castor Set, polyamide, Load capacity 1050 kg / castor set	A	150,-	15,-	165,-
SMGU 610, hot-dip galvanized	A	1168,-	186,-	1354,-
Lid, galvanized	A	174,-	26,-	200,-
Castor Set, polyamide, Load capacity 1050 kg / castor set	A	150,-	15,-	165,-

Silo Container Type SR	Category	Price	Freight charges	Price including freight charges
SR 375, painted	E	815,-	117,-	932,-
Lid, galvanized	E	126,-	33,-	159,-
SR 375, hot-dip galvanized	E	1530,-	117,-	1647,-
Lid, galvanized	E	126,-	33,-	159,-
SR 600, painted	E	1012,-	186,-	1198,-
Lid, galvanized	E	126,-	33,-	159,-
SR 600, hot-dip galvanized	E	1740,-	186,-	1926,-
Lid, galvanized	E	126,-	33,-	159,-

Silo Container Type SR-D	Category	Price	Freight charges	Price including freight charges
SR-D 375, painted	E	815,-	117,-	932,-
Lid, galvanized	E	126,-	33,-	159,-
SR-D 375, hot-dip galvanized	E	1530,-	117,-	1647,-
Lid, galvanized	E	126,-	33,-	159,-
SR-D 600, painted	E	1012,-	186,-	1198,-
Lid, galvanized	E	126,-	33,-	159,-
SR-D 600, hot-dip galvanized	E	1740,-	186,-	1926,-
Lid, galvanized	E	126,-	33,-	159,-

Silo Container Type SRE	Category	Price	Freight charges	Price including freight charges
SRE 375, painted	E	929,-	186,-	1115,-
Lid, galvanized	E	126,-	33,-	159,-
SRE 375, hot-dip galvanized	E	1664,-	186,-	1850,-
Lid, galvanized	E	126,-	33,-	159,-
SRE 600, painted	E	1131,-	186,-	1317,-

Prices in EUR, valid EXW DE-46354 Südlohn, DE-38820 Halberstadt, unpacked
Freight charges valid CPT Italy, islands and oversea territories excluded

Price List 0424 en-IT

Forklift Truck Attachments



Silo Container Type SRE	Category	Price	Freight charges	Price including freight charges
Lid, galvanized	E	126,-	33,-	159,-
SRE 600, hot-dip galvanized	E	1794,-	186,-	1980,-
Lid, galvanized	E	126,-	33,-	159,-
Silo Container Type SRE-D	Category	Price	Freight charges	Price including freight charges
SRE-D 375, painted	E	929,-	117,-	1046,-
Lid, galvanized	E	126,-	33,-	159,-
SRE-D 375, hot-dip galvanized	E	1664,-	186,-	1850,-
Lid, galvanized	E	126,-	33,-	159,-
SRE-D 600, painted	E	1131,-	186,-	1317,-
Lid, galvanized	E	126,-	33,-	159,-
SRE-D 600, hot-dip galvanized	E	1794,-	186,-	1980,-
Lid, galvanized	E	126,-	33,-	159,-
Forklift Tender System Type STS	Category	Price	Freight charges	Price including freight charges
STS 2,5, painted	C	3726,-	on request	on request
STS 5,0, painted	C	4392,-	on request	on request
Spreader Type STW	Category	Price	Freight charges	Price including freight charges
STW 100, painted	A	1174,-	117,-	1291,-
Tarpaulin	A	112,-	10,-	122,-
STW 260, painted	A	2074,-	117,-	2191,-
Tarpaulin	A	117,-	10,-	127,-
Traverse for Big Bags Type TBB	Category	Price	Freight charges	Price including freight charges
TBB, painted	A	870,-	117,-	987,-
Traverse For Big Bags Type TBB-E	Category	Price	Freight charges	Price including freight charges
TBB-E, painted	A	823,-	117,-	940,-
Traverse For Big Bags Type TBB-W	Category	Price	Freight charges	Price including freight charges
TBB-W, painted	A	1056,-	117,-	1173,-
Mini Lifting Beam Type TM	Category	Price	Freight charges	Price including freight charges
TM 200-500, hot-dip galvanized	F	385,-	50,-	435,-
TM 400-800, hot-dip galvanized	F	414,-	50,-	464,-
TM 800-1200, hot-dip galvanized	F	546,-	50,-	596,-
Tilting Container Type TRIO	Category	Price	Freight charges	Price including freight charges
TRIO, painted	A	2254,-	351,-	2605,-
Lid, galvanized	A	207,-	26,-	233,-
Castor Set, polyamide, Load capacity 1350 kg / castor set	A	185,-	15,-	200,-
Set of 5 self-adhesive stickers with symbols for: glass, paper, plastic, metal, residual waste	A	28,-	on request	on request

Prices in EUR, valid EXW DE-46354 Südlohn, DE-38820 Halberstadt, unpacked
Freight charges valid CPT Italy, islands and oversea territories excluded

Price List 0424 en-IT

Forklift Truck Attachments



Universal Container Type UC	Category	Price	Freight charges	Price including freight charges
UC 500, painted	A	652,-	117,-	769,-
Lid, galvanized	A	162,-	16,-	178,-
Castor Set, polyamide, Load capacity 1350 kg / castor set	A	185,-	15,-	200,-
Pick-up Profile on Type UC for Traverse Type UCT	A	102,-	0,-	102,-
UC 500, hot-dip galvanized	A	744,-	186,-	930,-
Lid, galvanized	A	162,-	16,-	178,-
Castor Set, polyamide, Load capacity 1350 kg / castor set	A	185,-	15,-	200,-
Pick-up Profile on Type UC for Traverse Type UCT	A	102,-	0,-	102,-
UC 750, painted	A	709,-	186,-	895,-
Lid, galvanized	A	162,-	16,-	178,-
Castor Set, polyamide, Load capacity 1350 kg / castor set	A	185,-	15,-	200,-
Pick-up Profile on Type UC for Traverse Type UCT	A	102,-	0,-	102,-
UC 750, hot-dip galvanized	A	824,-	186,-	1010,-
Lid, galvanized	A	162,-	16,-	178,-
Castor Set, polyamide, Load capacity 1350 kg / castor set	A	185,-	15,-	200,-
Pick-up Profile on Type UC for Traverse Type UCT	A	102,-	0,-	102,-
UC 1000, painted	A	744,-	186,-	930,-
Lid, galvanized	A	162,-	16,-	178,-
Castor Set, polyamide, Load capacity 1350 kg / castor set	A	185,-	15,-	200,-
Pick-up Profile on Type UC for Traverse Type UCT	A	102,-	0,-	102,-
UC 1000, hot-dip galvanized	A	863,-	186,-	1049,-
Lid, galvanized	A	162,-	16,-	178,-
Castor Set, polyamide, Load capacity 1350 kg / castor set	A	185,-	15,-	200,-
Pick-up Profile on Type UC for Traverse Type UCT	A	102,-	0,-	102,-
Hydraulic Traverse Type UCT	Category	Price	Freight charges	Price including freight charges
UCT, painted	A	2644,-	273,-	2917,-
Tilting Container Type VD	Category	Price	Freight charges	Price including freight charges
VD 500, painted	A	767,-	186,-	953,-
Lid, galvanized	A	139,-	18,-	157,-
Castor Set, polyamide, Load capacity 1350 kg / castor set	A	185,-	15,-	200,-
Skip Body Welded Oil and Watertight	A	75,-	0,-	75,-
VD 500, hot-dip galvanized	A	998,-	186,-	1184,-
Lid, galvanized	A	139,-	18,-	157,-
Castor Set, polyamide, Load capacity 1350 kg / castor set	A	185,-	15,-	200,-
Skip Body Welded Oil and Watertight	A	75,-	0,-	75,-
VD 650, painted	A	838,-	186,-	1024,-
Lid, galvanized	A	139,-	18,-	157,-
Castor Set, polyamide, Load capacity 1350 kg / castor set	A	185,-	15,-	200,-
Skip Body Welded Oil and Watertight	A	75,-	0,-	75,-
VD 650, hot-dip galvanized	A	1091,-	186,-	1277,-
Lid, galvanized	A	139,-	18,-	157,-
Castor Set, polyamide, Load capacity 1350 kg / castor set	A	185,-	15,-	200,-
Skip Body Welded Oil and Watertight	A	75,-	0,-	75,-

Prices in EUR, valid EXW DE-46354 Südlohn, DE-38820 Halberstadt, unpacked
Freight charges valid CPT Italy, islands and oversea territories excluded

Price List 0424 en-IT

Forklift Truck Attachments



Tilting Container Type VD	Category	Price	Freight charges	Price including freight charges
VD 800, painted	A	957,-	186,-	1143,-
Lid, galvanized	A	168,-	22,-	190,-
Castor Set, polyamide, Load capacity 1350 kg / castor set	A	185,-	15,-	200,-
Skip Body Welded Oil and Watertight	A	75,-	0,-	75,-
VD 800, hot-dip galvanized	A	1300,-	186,-	1486,-
Lid, galvanized	A	168,-	22,-	190,-
Castor Set, polyamide, Load capacity 1350 kg / castor set	A	185,-	15,-	200,-
Skip Body Welded Oil and Watertight	A	75,-	0,-	75,-
VD 1000, painted	A	1005,-	186,-	1191,-
Lid, galvanized	A	168,-	22,-	190,-
Castor Set, polyamide, Load capacity 1350 kg / castor set	A	185,-	15,-	200,-
Skip Body Welded Oil and Watertight	A	116,-	0,-	116,-
VD 1000, hot-dip galvanized	A	1419,-	186,-	1605,-
Lid, galvanized	A	168,-	22,-	190,-
Castor Set, polyamide, Load capacity 1350 kg / castor set	A	185,-	15,-	200,-
Skip Body Welded Oil and Watertight	A	116,-	0,-	116,-
Tilting Container Type VG	Category	Price	Freight charges	Price including freight charges
VG 550, painted	A	784,-	186,-	970,-
Lid, galvanized	A	139,-	18,-	157,-
Castor Set, polyamide, Load capacity 1350 kg / castor set	A	185,-	15,-	200,-
Skip Body Welded Oil and Watertight	A	75,-	0,-	75,-
VG 550, hot-dip galvanized	A	1022,-	186,-	1208,-
Lid, galvanized	A	139,-	18,-	157,-
Castor Set, polyamide, Load capacity 1350 kg / castor set	A	185,-	15,-	200,-
Skip Body Welded Oil and Watertight	A	75,-	0,-	75,-
VG 700, painted	A	929,-	186,-	1115,-
Lid, galvanized	A	139,-	18,-	157,-
Castor Set, polyamide, Load capacity 1350 kg / castor set	A	185,-	15,-	200,-
Skip Body Welded Oil and Watertight	A	75,-	0,-	75,-
VG 700, hot-dip galvanized	A	1209,-	186,-	1395,-
Lid, galvanized	A	139,-	18,-	157,-
Castor Set, polyamide, Load capacity 1350 kg / castor set	A	185,-	15,-	200,-
Skip Body Welded Oil and Watertight	A	75,-	0,-	75,-
VG 900, painted	A	1024,-	186,-	1210,-
Lid, galvanized	A	168,-	22,-	190,-
Castor Set, polyamide, Load capacity 1350 kg / castor set	A	185,-	15,-	200,-
Skip Body Welded Oil and Watertight	A	75,-	0,-	75,-
VG 900, hot-dip galvanized	A	1451,-	186,-	1637,-
Lid, galvanized	A	168,-	22,-	190,-
Castor Set, polyamide, Load capacity 1350 kg / castor set	A	185,-	15,-	200,-
Skip Body Welded Oil and Watertight	A	75,-	0,-	75,-
VG 1100, painted	A	1111,-	186,-	1297,-
Lid, galvanized	A	168,-	22,-	190,-
Castor Set, polyamide, Load capacity 1350 kg / castor set	A	185,-	15,-	200,-
Skip Body Welded Oil and Watertight	A	116,-	0,-	116,-

Prices in EUR, valid EXW DE-46354 Südlohn, DE-38820 Halberstadt, unpacked
Freight charges valid CPT Italy, islands and oversea territories excluded

Price List 0424 en-IT

Forklift Truck Attachments



Tilting Container Type VG	Category	Price	Freight charges	Price including freight charges
VG 1100, hot-dip galvanized	A	1508,-	186,-	1694,-
Lid, galvanized	A	168,-	22,-	190,-
Castor Set, polyamide, Load capacity 1350 kg / castor set	A	185,-	15,-	200,-
Skip Body Welded Oil and Watertight	A	116,-	0,-	116,-

Prices in EUR, valid EXW DE-46354 Südlohn, DE-38820 Halberstadt, unpacked
 Freight charges valid CPT Italy, islands and oversea territories excluded

Price List 0424 en-IT

Workspace Material Handling

Battery Charging Station Type BL	Category	Price	Freight charges	Price including freight charges
BL 1, painted	A	1373,-	117,-	1490,-
Fire Extinguisher	A	197,-	14,-	211,-
Fixture for water receptacle	A	61,-	13,-	74,-
BL 2, painted	A	1737,-	117,-	1854,-
Fire Extinguisher	A	197,-	14,-	211,-
Fixture for water receptacle	A	61,-	13,-	74,-
BL 3, painted	A	1737,-	117,-	1854,-
Fire Extinguisher	A	197,-	14,-	211,-
Fixture for water receptacle	A	61,-	13,-	74,-
Drum Jack Roller Type FHR	Category	Price	Freight charges	Price including freight charges
FHR 600 F, painted	B	3174,-	273,-	3447,-
FHR 600 F, hot-dip galvanized	B	3517,-	273,-	3790,-
FHR 600 G, painted	B	2528,-	186,-	2714,-
FHR 600 G, hot-dip galvanized	B	2790,-	186,-	2976,-
FHR 600 K, painted	B	2528,-	186,-	2714,-
FHR 600 K, hot-dip galvanized	B	2790,-	186,-	2976,-
Drum Trolley Type FP-L	Category	Price	Freight charges	Price including freight charges
FP-L, galvanized	C	602,-	117,-	719,-
Drum Trolley Type FP-V	Category	Price	Freight charges	Price including freight charges
FP-V, galvanized	C	584,-	117,-	701,-
Drum Dolly Type FRW	Category	Price	Freight charges	Price including freight charges
FRW-I, hot-dip galvanized	A	112,-	50,-	162,-
FRW-II, hot-dip galvanized	A	148,-	50,-	198,-
FRW-III, hot-dip galvanized	A	200,-	117,-	317,-
Dolly Type GRW	Category	Price	Freight charges	Price including freight charges
GRW-I, hot-dip galvanized	F	121,-	50,-	171,-
Handle, galvanized	F	53,-	10,-	63,-
GRW-II, hot-dip galvanized	F	138,-	50,-	188,-
Handle, galvanized	F	53,-	10,-	63,-
GRW-III, hot-dip galvanized	F	172,-	117,-	289,-
Handle, galvanized	F	53,-	10,-	63,-
Gas Cylinder Wall Bracket Type GWH	Category	Price	Freight charges	Price including freight charges
GWH 140-I, hot-dip galvanized	F	25,-	50,-	75,-
GWH 140-II, hot-dip galvanized	F	38,-	50,-	88,-

Prices in EUR, valid EXW DE-46354 Südlohn, DE-38820 Halberstadt, unpacked
Freight charges valid CPT Italy, islands and oversea territories excluded

Price List 0424 en-IT

Workspace Material Handling



Gas Cylinder Wall Bracket Type GWH	Category	Price	Freight charges	Price including freight charges
GWH 140-III, hot-dip galvanized	F	57,-	50,-	107,-
GWH 230-I, hot-dip galvanized	F	27,-	50,-	77,-
GWH 230-II, hot-dip galvanized	F	41,-	50,-	91,-
GWH 230-III, hot-dip galvanized	F	62,-	50,-	112,-
GWH 320-I, hot-dip galvanized	F	28,-	50,-	78,-
GWH 320-II, hot-dip galvanized	F	46,-	50,-	96,-
GWH 320-III, hot-dip galvanized	F	69,-	50,-	119,-
Fork Lifter Type GZH-A	Category	Price	Freight charges	Price including freight charges
GZH-A, painted	F	110,-	50,-	160,-
Fork Lifter Type GZH-B	Category	Price	Freight charges	Price including freight charges
GZH-B, painted	F	110,-	50,-	160,-
Fork Pallet Type GZP	Category	Price	Freight charges	Price including freight charges
GZP 4, hot-dip galvanized	A	155,-	117,-	272,-
GZP 8, hot-dip galvanized	A	194,-	117,-	311,-
IBC Residue Drainer Type IR	Category	Price	Freight charges	Price including freight charges
IR-1, hot-dip galvanized	A	575,-	117,-	692,-
IR-2, hot-dip galvanized	A	686,-	117,-	803,-
Tilting Canister Stand Type KAH	Category	Price	Freight charges	Price including freight charges
KAH-5, galvanized	A	92,-	50,-	142,-
KAH-25, galvanized	A	105,-	50,-	155,-
KAH-60, galvanized	A	135,-	50,-	185,-
Sheet Metal Storage Units With Trays Type KBR	Category	Price	Freight charges	Price including freight charges
KBR 1, painted	A	5782,-	781,-	6563,-
KBR 2, painted	A	5997,-	on request	on request
KBR 3, painted	A	6441,-	on request	on request
Liftomat Type L/E	Category	Price	Freight charges	Price including freight charges
L/E 1300, painted	B	4742,-	273,-	5015,-
L/E 1300, hot-dip galvanized	B	5389,-	273,-	5662,-
Liftomat Type L/M	Category	Price	Freight charges	Price including freight charges
L/M 600, painted	B	3432,-	186,-	3618,-
L/M 600, hot-dip galvanized	B	3888,-	186,-	4074,-
L/M 1300, painted	B	3851,-	273,-	4124,-
L/M 1300, hot-dip galvanized	B	4414,-	273,-	4687,-
Security Cage for Storage Type LBM	Category	Price	Freight charges	Price including freight charges
LBM 1500, hot-dip galvanized	A	1934,-	273,-	2207,-

Prices in EUR, valid EXW DE-46354 Südlohn, DE-38820 Halberstadt, unpacked
Freight charges valid CPT Italy, islands and oversea territories excluded

Price List 0424 en-IT

Workspace Material Handling



Security Cage for Storage Type LBM	Category	Price	Freight charges	Price including freight charges
LBM 3000, hot-dip galvanized	A	2654,-	502,-	3156,-
LBM 4500, hot-dip galvanized	A	3373,-	502,-	3875,-
LBM 6000, hot-dip galvanized	A	4088,-	646,-	4734,-
Wheelie Bin Tipping Station Type MKS	Category	Price	Freight charges	Price including freight charges
MKS-12V, painted	A	3618,-	186,-	3804,-
External Charger for 12 V electro-hydraulic constructions	A	194,-	15,-	209,-
MKS-230V, painted	A	3618,-	186,-	3804,-
Wheelie Bin Tipping Station Type MKS-F	Category	Price	Freight charges	Price including freight charges
MKS-F, painted	A	2375,-	186,-	2561,-
Wheelie Bin Tipping Station Type MKS-H	Category	Price	Freight charges	Price including freight charges
MKS-H, painted	A	2375,-	186,-	2561,-
Stillage Transport Cage Type MTP	Category	Price	Freight charges	Price including freight charges
MTP 2000, hot-dip galvanized	A	2121,-	273,-	2394,-
Tension belt	A	46,-	8,-	54,-
MTP 3000, hot-dip galvanized	A	2680,-	351,-	3031,-
Tension belt	A	46,-	8,-	54,-
Two-Wheeled Pallet Picker Type PZ	Category	Price	Freight charges	Price including freight charges
PZ, hot-dip galvanized	F	440,-	50,-	490,-
Tyre Fitting Equipment Type RM	Category	Price	Freight charges	Price including freight charges
RM, painted	F	442,-	50,-	492,-
Surround for Waste Bins Type SECOMAT	Category	Price	Freight charges	Price including freight charges
S 120-D, powder coated	B	626,-	117,-	743,-
S 120-K, powder coated	B	702,-	117,-	819,-
S 240-D, powder coated	B	719,-	117,-	836,-
S 240-K, powder coated	B	787,-	117,-	904,-
S1100, powder-coated	B	727,-	117,-	844,-
S1100-W, powder-coated	B	956,-	186,-	1142,-
S1100-WT, powder-coated	B	1200,-	186,-	1386,-
S1100-WTB, powder-coated	B	1295,-	186,-	1481,-
S4USE, powder coated	C	2138,-	273,-	2411,-
Gas Cylinder Pallet Type SFP	Category	Price	Freight charges	Price including freight charges
SFP 4, hot-dip galvanized	C	334,-	117,-	451,-
SFP 8, hot-dip galvanized	C	444,-	117,-	561,-
Loading Support Type VS	Category	Price	Freight charges	Price including freight charges
VS, painted	C	739,-	186,-	925,-

Prices in EUR, valid EXW DE-46354 Südlohn, DE-38820 Halberstadt, unpacked
Freight charges valid CPT Italy, islands and oversea territories excluded

Price List 0424 en-IT Environment / Storage

Sump Trays Type SERIES 2000	Category	Price	Freight charges	Price including freight charges
2000, painted	B	241,-	117,-	358,-
2001, hot-dip galvanized	B	278,-	117,-	395,-
2002, painted	B	275,-	117,-	392,-
2003, hot-dip galvanized	B	311,-	117,-	428,-
2008, painted	B	241,-	117,-	358,-
2009, hot-dip galvanized	B	289,-	117,-	406,-
2010, painted	B	290,-	117,-	407,-
Drum Support FA 60-1, hot-dip galvanized	B	105,-	15,-	120,-
Drum Support FA 60-2, hot-dip galvanized	B	114,-	18,-	132,-
Drum Support FA 60-3, hot-dip galvanized	B	133,-	21,-	154,-
Drum Support FA 200-1, hot-dip galvanized	B	114,-	15,-	129,-
Can Shelf Type GR-A, galvanized	B	133,-	50,-	183,-
Can Shelf Type GR-B, galvanized	B	133,-	50,-	183,-
Can Shelf Type GR-C, galvanized	B	133,-	50,-	183,-
2011, hot-dip galvanized	B	339,-	117,-	456,-
Drum Support FA 60-1, hot-dip galvanized	B	105,-	15,-	120,-
Drum Support FA 60-2, hot-dip galvanized	B	114,-	18,-	132,-
Drum Support FA 60-3, hot-dip galvanized	B	133,-	21,-	154,-
Drum Support FA 200-1, hot-dip galvanized	B	114,-	15,-	129,-
Can Shelf Type GR-A, galvanized	B	133,-	50,-	183,-
Can Shelf Type GR-B, galvanized	B	133,-	50,-	183,-
Can Shelf Type GR-C, galvanized	B	133,-	50,-	183,-
2016, painted	B	253,-	117,-	370,-
2017, hot-dip galvanized	B	303,-	117,-	420,-
2018, painted	B	304,-	117,-	421,-
Drum Support FA 60-1, hot-dip galvanized	B	105,-	15,-	120,-
Drum Support FA 60-2, hot-dip galvanized	B	114,-	18,-	132,-
Drum Support FA 60-3, hot-dip galvanized	B	133,-	21,-	154,-
Drum Support FA 200-1, hot-dip galvanized	B	114,-	15,-	129,-
Can Shelf Type GR-A, galvanized	B	133,-	50,-	183,-
Can Shelf Type GR-B, galvanized	B	133,-	50,-	183,-
Can Shelf Type GR-C, galvanized	B	133,-	50,-	183,-
2019, hot-dip galvanized	B	352,-	117,-	469,-
Drum Support FA 60-1, hot-dip galvanized	B	105,-	15,-	120,-
Drum Support FA 60-2, hot-dip galvanized	B	114,-	18,-	132,-
Drum Support FA 60-3, hot-dip galvanized	B	133,-	21,-	154,-
Drum Support FA 200-1, hot-dip galvanized	B	114,-	15,-	129,-
Can Shelf Type GR-A, galvanized	B	133,-	50,-	183,-
Can Shelf Type GR-B, galvanized	B	133,-	50,-	183,-
Can Shelf Type GR-C, galvanized	B	133,-	50,-	183,-
2026, painted	B	253,-	117,-	370,-
2027, hot-dip galvanized	B	299,-	117,-	416,-

Prices in EUR, valid EXW DE-46354 Südlohn, DE-38820 Halberstadt, unpacked
Freight charges valid CPT Italy, islands and oversea territories excluded

Price List 0424 en-IT

Environment / Storage



Sump Trays Type SERIES 2000	Category	Price	Freight charges	Price including freight charges
2028, painted	B	353,-	117,-	470,-
Drum Support FA 60-1, hot-dip galvanized	B	105,-	15,-	120,-
Drum Support FA 60-2, hot-dip galvanized	B	114,-	18,-	132,-
Drum Support FA 60-3, hot-dip galvanized	B	133,-	21,-	154,-
Drum Support FA 200-1, hot-dip galvanized	B	114,-	15,-	129,-
Drum Support FA 200-2, hot-dip galvanized	B	133,-	22,-	155,-
Can Shelf Type GR-A, galvanized	B	133,-	50,-	183,-
Can Shelf Type GR-B, galvanized	B	133,-	50,-	183,-
Can Shelf Type GR-C, galvanized	B	133,-	50,-	183,-
2029, hot-dip galvanized	B	398,-	117,-	515,-
Drum Support FA 60-1, hot-dip galvanized	B	105,-	15,-	120,-
Drum Support FA 60-2, hot-dip galvanized	B	114,-	18,-	132,-
Drum Support FA 60-3, hot-dip galvanized	B	133,-	21,-	154,-
Drum Support FA 200-1, hot-dip galvanized	B	114,-	15,-	129,-
Drum Support FA 200-2, hot-dip galvanized	B	133,-	22,-	155,-
Can Shelf Type GR-A, galvanized	B	133,-	50,-	183,-
Can Shelf Type GR-B, galvanized	B	133,-	50,-	183,-
Can Shelf Type GR-C, galvanized	B	133,-	50,-	183,-
2030, painted	B	265,-	117,-	382,-
2031, hot-dip galvanized	B	310,-	117,-	427,-
2032, painted	B	365,-	117,-	482,-
Drum Support FA 60-1, hot-dip galvanized	B	105,-	15,-	120,-
Drum Support FA 60-2, hot-dip galvanized	B	114,-	18,-	132,-
Drum Support FA 60-3, hot-dip galvanized	B	133,-	21,-	154,-
Drum Support FA 200-1, hot-dip galvanized	B	114,-	15,-	129,-
Drum Support FA 200-2, hot-dip galvanized	B	133,-	22,-	155,-
Can Shelf Type GR-A, galvanized	B	133,-	50,-	183,-
Can Shelf Type GR-B, galvanized	B	133,-	50,-	183,-
Can Shelf Type GR-C, galvanized	B	133,-	50,-	183,-
2033, hot-dip galvanized	B	411,-	117,-	528,-
Drum Support FA 60-1, hot-dip galvanized	B	105,-	15,-	120,-
Drum Support FA 60-2, hot-dip galvanized	B	114,-	18,-	132,-
Drum Support FA 60-3, hot-dip galvanized	B	133,-	21,-	154,-
Drum Support FA 200-1, hot-dip galvanized	B	114,-	15,-	129,-
Drum Support FA 200-2, hot-dip galvanized	B	133,-	22,-	155,-
Can Shelf Type GR-A, galvanized	B	133,-	50,-	183,-
Can Shelf Type GR-B, galvanized	B	133,-	50,-	183,-
Can Shelf Type GR-C, galvanized	B	133,-	50,-	183,-
2040, painted	B	339,-	117,-	456,-
2041, hot-dip galvanized	B	411,-	117,-	528,-
2042, painted	B	439,-	186,-	625,-
Drum Support FA 60-1, hot-dip galvanized	B	105,-	15,-	120,-
Drum Support FA 60-2, hot-dip galvanized	B	114,-	18,-	132,-
Drum Support FA 60-3, hot-dip galvanized	B	133,-	21,-	154,-
Can Shelf Type GR-A, galvanized	B	133,-	50,-	183,-
Can Shelf Type GR-B, galvanized	B	133,-	50,-	183,-

Prices in EUR, valid EXW DE-46354 Südlohn, DE-38820 Halberstadt, unpacked
Freight charges valid CPT Italy, islands and oversea territories excluded

Price List 0424 en-IT

Environment / Storage



Sump Trays Type SERIES 2000	Category	Price	Freight charges	Price including freight charges
Can Shelf Type GR-C, galvanized	B	133,-	50,-	183,-
2043, hot-dip galvanized	B	511,-	186,-	697,-
Drum Support FA 60-1, hot-dip galvanized	B	105,-	15,-	120,-
Drum Support FA 60-2, hot-dip galvanized	B	114,-	18,-	132,-
Drum Support FA 60-3, hot-dip galvanized	B	133,-	21,-	154,-
Can Shelf Type GR-A, galvanized	B	133,-	50,-	183,-
Can Shelf Type GR-B, galvanized	B	133,-	50,-	183,-
Can Shelf Type GR-C, galvanized	B	133,-	50,-	183,-
2048, painted	B	261,-	117,-	378,-
2049, hot-dip galvanized	B	305,-	117,-	422,-
2050, painted	B	356,-	117,-	473,-
Drum Support FA 60-1, hot-dip galvanized	B	105,-	15,-	120,-
Drum Support FA 60-2, hot-dip galvanized	B	114,-	18,-	132,-
Drum Support FA 60-3, hot-dip galvanized	B	133,-	21,-	154,-
Can Shelf Type GR-A, galvanized	B	133,-	50,-	183,-
Can Shelf Type GR-B, galvanized	B	133,-	50,-	183,-
Can Shelf Type GR-C, galvanized	B	133,-	50,-	183,-
2051, hot-dip galvanized	B	400,-	117,-	517,-
Drum Support FA 60-1, hot-dip galvanized	B	105,-	15,-	120,-
Drum Support FA 60-2, hot-dip galvanized	B	114,-	18,-	132,-
Drum Support FA 60-3, hot-dip galvanized	B	133,-	21,-	154,-
Can Shelf Type GR-A, galvanized	B	133,-	50,-	183,-
Can Shelf Type GR-B, galvanized	B	133,-	50,-	183,-
Can Shelf Type GR-C, galvanized	B	133,-	50,-	183,-
Sump Trays Type SERIES 2000/SW	Category	Price	Freight charges	Price including freight charges
2002/SW, painted	B	412,-	117,-	529,-
2003/SW, hot-dip galvanized	B	448,-	117,-	565,-
2018/SW, painted	B	452,-	186,-	638,-
Drum Support FA 60-1, hot-dip galvanized	B	105,-	15,-	120,-
Drum Support FA 60-2, hot-dip galvanized	B	114,-	18,-	132,-
Drum Support FA 60-3, hot-dip galvanized	B	133,-	21,-	154,-
Drum Support FA 200-1, hot-dip galvanized	B	114,-	15,-	129,-
Can Shelf Type GR-A, galvanized	B	133,-	50,-	183,-
Can Shelf Type GR-B, galvanized	B	133,-	50,-	183,-
Can Shelf Type GR-C, galvanized	B	133,-	50,-	183,-
2019/SW, hot-dip galvanized	B	499,-	186,-	685,-
Drum Support FA 60-1, hot-dip galvanized	B	105,-	15,-	120,-
Drum Support FA 60-2, hot-dip galvanized	B	114,-	18,-	132,-
Drum Support FA 60-3, hot-dip galvanized	B	133,-	21,-	154,-
Drum Support FA 200-1, hot-dip galvanized	B	114,-	15,-	129,-
Can Shelf Type GR-A, galvanized	B	133,-	50,-	183,-
Can Shelf Type GR-B, galvanized	B	133,-	50,-	183,-
Can Shelf Type GR-C, galvanized	B	133,-	50,-	183,-
2032/SW, painted	B	533,-	186,-	719,-
Drum Support FA 60-1, hot-dip galvanized	B	105,-	15,-	120,-

Prices in EUR, valid EXW DE-46354 Südlohn, DE-38820 Halberstadt, unpacked
Freight charges valid CPT Italy, islands and oversea territories excluded

Price List 0424 en-IT

Environment / Storage



Sump Trays Type SERIES 2000/SW	Category	Price	Freight charges	Price including freight charges
Drum Support FA 60-2, hot-dip galvanized	B	114,-	18,-	132,-
Drum Support FA 60-3, hot-dip galvanized	B	133,-	21,-	154,-
Drum Support FA 200-1, hot-dip galvanized	B	114,-	15,-	129,-
Drum Support FA 200-2, hot-dip galvanized	B	133,-	22,-	155,-
Can Shelf Type GR-A, galvanized	B	133,-	50,-	183,-
Can Shelf Type GR-B, galvanized	B	133,-	50,-	183,-
Can Shelf Type GR-C, galvanized	B	133,-	50,-	183,-
2033/SW, hot-dip galvanized	B	579,-	186,-	765,-
Drum Support FA 60-1, hot-dip galvanized	B	105,-	15,-	120,-
Drum Support FA 60-2, hot-dip galvanized	B	114,-	18,-	132,-
Drum Support FA 60-3, hot-dip galvanized	B	133,-	21,-	154,-
Drum Support FA 200-1, hot-dip galvanized	B	114,-	15,-	129,-
Drum Support FA 200-2, hot-dip galvanized	B	133,-	22,-	155,-
Can Shelf Type GR-A, galvanized	B	133,-	50,-	183,-
Can Shelf Type GR-B, galvanized	B	133,-	50,-	183,-
Can Shelf Type GR-C, galvanized	B	133,-	50,-	183,-
2042/SW, painted	B	661,-	236,-	897,-
Drum Support FA 60-1, hot-dip galvanized	B	105,-	15,-	120,-
Drum Support FA 60-2, hot-dip galvanized	B	114,-	18,-	132,-
Drum Support FA 60-3, hot-dip galvanized	B	133,-	21,-	154,-
Can Shelf Type GR-A, galvanized	B	133,-	50,-	183,-
Can Shelf Type GR-B, galvanized	B	133,-	50,-	183,-
Can Shelf Type GR-C, galvanized	B	133,-	50,-	183,-
2043/SW, hot-dip galvanized	B	734,-	236,-	970,-
Drum Support FA 60-1, hot-dip galvanized	B	105,-	15,-	120,-
Drum Support FA 60-2, hot-dip galvanized	B	114,-	18,-	132,-
Drum Support FA 60-3, hot-dip galvanized	B	133,-	21,-	154,-
Can Shelf Type GR-A, galvanized	B	133,-	50,-	183,-
Can Shelf Type GR-B, galvanized	B	133,-	50,-	183,-
Can Shelf Type GR-C, galvanized	B	133,-	50,-	183,-
Mobile Sump Trays Type SERIES 2000	Category	Price	Freight charges	Price including freight charges
2004, painted	B	570,-	117,-	687,-
Fixture and Tension Belt for 1 x 200 Litre Drum	B	46,-	9,-	55,-
2005, hot-dip galvanized	B	634,-	117,-	751,-
Fixture and Tension Belt for 1 x 200 Litre Drum	B	46,-	9,-	55,-
2020, painted	B	633,-	117,-	750,-
Fixture and Tension Belt for 2 x 200 Litre Drums	B	46,-	9,-	55,-
2021, hot-dip galvanized	B	692,-	117,-	809,-
Fixture and Tension Belt for 2 x 200 Litre Drums	B	46,-	9,-	55,-
2050 SR, painted	B	685,-	117,-	802,-
Fixture and Tension Belt for 3 x 200 Litre Drums	B	46,-	9,-	55,-
2051 SR, hot-dip galvanized	B	740,-	186,-	926,-
Fixture and Tension Belt for 3 x 200 Litre Drums	B	46,-	9,-	55,-

Prices in EUR, valid EXW DE-46354 Südlohn, DE-38820 Halberstadt, unpacked
Freight charges valid CPT Italy, islands and oversea territories excluded

Price List 0424 en-IT

Environment / Storage



Drum Shelves with Sump Trays Type SERIES 3000	Category	Price	Freight charges	Price including freight charges
3000, hot-dip galvanized	B	1054,-	186,-	1240,-
Retainer Bar	B	46,-	12,-	58,-
Rotating Support RA 200, hot-dip galvanized	B	93,-	10,-	103,-
Can Stand Type GS, hot-dip galvanized	B	62,-	18,-	80,-
Crash Guard	B	54,-	9,-	63,-
3001, hot-dip galvanized	B	887,-	186,-	1073,-
Retainer Bar	B	46,-	12,-	58,-
Rotating Support RA 200, hot-dip galvanized	B	93,-	10,-	103,-
Can Stand Type GS, hot-dip galvanized	B	62,-	18,-	80,-
Crash Guard	B	54,-	9,-	63,-
3002, hot-dip galvanized	B	1255,-	236,-	1491,-
Retainer Bar	B	46,-	12,-	58,-
Rotating Support RA 200, hot-dip galvanized	B	93,-	10,-	103,-
Can Stand Type GS, hot-dip galvanized	B	62,-	18,-	80,-
Crash Guard	B	54,-	9,-	63,-
3003, hot-dip galvanized	B	1063,-	236,-	1299,-
Retainer Bar	B	46,-	12,-	58,-
Rotating Support RA 200, hot-dip galvanized	B	93,-	10,-	103,-
Can Stand Type GS, hot-dip galvanized	B	62,-	18,-	80,-
Crash Guard	B	54,-	9,-	63,-
3004, hot-dip galvanized	B	1298,-	186,-	1484,-
Retainer Bar	B	46,-	12,-	58,-
Rotating Support RA 60, hot-dip galvanized	B	93,-	9,-	102,-
Can Stand Type GS, hot-dip galvanized	B	62,-	18,-	80,-
Crash Guard	B	54,-	9,-	63,-
3005, hot-dip galvanized	B	1174,-	186,-	1360,-
Retainer Bar	B	46,-	12,-	58,-
Rotating Support RA 60, hot-dip galvanized	B	93,-	9,-	102,-
Can Stand Type GS, hot-dip galvanized	B	62,-	18,-	80,-
Crash Guard	B	54,-	9,-	63,-
3006, hot-dip galvanized	B	1639,-	323,-	1962,-
Retainer Bar	B	46,-	12,-	58,-
Rotating Support RA 60, hot-dip galvanized	B	93,-	9,-	102,-
Can Stand Type GS, hot-dip galvanized	B	62,-	18,-	80,-
Crash Guard	B	54,-	9,-	63,-
3007, hot-dip galvanized	B	1400,-	236,-	1636,-
Retainer Bar	B	46,-	12,-	58,-
Rotating Support RA 60, hot-dip galvanized	B	93,-	9,-	102,-
Can Stand Type GS, hot-dip galvanized	B	62,-	18,-	80,-
Crash Guard	B	54,-	9,-	63,-
3010, hot-dip galvanized	B	1244,-	236,-	1480,-
Retainer Bar	B	46,-	12,-	58,-
Rotating Support RA 200, hot-dip galvanized	B	93,-	10,-	103,-
Can Stand Type GS, hot-dip galvanized	B	62,-	18,-	80,-
Crash Guard	B	54,-	9,-	63,-
3011, hot-dip galvanized	B	1034,-	236,-	1270,-

Prices in EUR, valid EXW DE-46354 Südlohn, DE-38820 Halberstadt, unpacked
Freight charges valid CPT Italy, islands and oversea territories excluded

Price List 0424 en-IT

Environment / Storage



Drum Shelves with Sump Trays Type SERIES 3000	Category	Price	Freight charges	Price including freight charges
Retainer Bar	B	46,-	12,-	58,-
Rotating Support RA 200, hot-dip galvanized	B	93,-	10,-	103,-
Can Stand Type GS, hot-dip galvanized	B	62,-	18,-	80,-
Crash Guard	B	54,-	9,-	63,-

Small Can Shelves with Sumps Type SERIES 3000	Category	Price	Freight charges	Price including freight charges
3017-4E, galvanized	B	461,-	117,-	578,-
Grid Storage Level, hot dip-galvanized	B	59,-	10,-	69,-
Spill Tray, galvanized	B	96,-	10,-	106,-
Storage level for Drum Shelves	B	33,-	9,-	42,-
3018-4E, galvanized	B	383,-	117,-	500,-
Grid Storage Level, hot dip-galvanized	B	59,-	10,-	69,-
Spill Tray, galvanized	B	96,-	10,-	106,-
Storage level for Drum Shelves	B	33,-	9,-	42,-
3019-4E, galvanized	B	556,-	186,-	742,-
Grid Storage Level, hot dip-galvanized	B	59,-	10,-	69,-
Spill Tray, galvanized	B	96,-	10,-	106,-
Storage level for Drum Shelves	B	33,-	9,-	42,-
3020-4E, galvanized	B	476,-	186,-	662,-
Grid Storage Level, hot dip-galvanized	B	59,-	10,-	69,-
Spill Tray, galvanized	B	96,-	10,-	106,-
Storage level for Drum Shelves	B	33,-	9,-	42,-
3021-4E, galvanized	B	694,-	186,-	880,-
Grid Storage Level, hot dip-galvanized	B	59,-	10,-	69,-
Spill Tray, galvanized	B	96,-	10,-	106,-
Storage level for Drum Shelves	B	33,-	9,-	42,-
3022-4E, galvanized	B	604,-	117,-	721,-
Grid Storage Level, hot dip-galvanized	B	59,-	10,-	69,-
Spill Tray, galvanized	B	96,-	10,-	106,-
Storage level for Drum Shelves	B	33,-	9,-	42,-
3023-4E, galvanized	B	1122,-	236,-	1358,-
Grid Storage Level, hot dip-galvanized	B	59,-	10,-	69,-
Spill Tray, galvanized	B	96,-	10,-	106,-
Storage level for Drum Shelves	B	33,-	9,-	42,-
3024-4E, galvanized	B	935,-	236,-	1171,-
Grid Storage Level, hot dip-galvanized	B	59,-	10,-	69,-
Spill Tray, galvanized	B	96,-	10,-	106,-
Storage level for Drum Shelves	B	33,-	9,-	42,-

Shelves Type AG	Category	Price	Freight charges	Price including freight charges
AG 60-1, hot-dip galvanized	B	108,-	12,-	120,-
AG 60-2, hot-dip galvanized	B	113,-	14,-	127,-
AG 60-3, hot-dip galvanized	B	121,-	15,-	136,-

Prices in EUR, valid EXW DE-46354 Südlohn, DE-38820 Halberstadt, unpacked
 Freight charges valid CPT Italy, islands and oversea territories excluded

Price List 0424 en-IT

Environment / Storage



Sump Tray Type AM	Category	Price	Freight charges	Price including freight charges
AM-1, painted	B	323,-	117,-	440,-
AM-1, hot-dip galvanized	B	366,-	117,-	483,-
AM-2, painted	B	357,-	117,-	474,-
Drum Support FA 60-1, hot-dip galvanized	B	105,-	15,-	120,-
Drum Support FA 60-2, hot-dip galvanized	B	114,-	18,-	132,-
Drum Support FA 60-3, hot-dip galvanized	B	133,-	21,-	154,-
Drum Support FA 200-1, hot-dip galvanized	B	114,-	15,-	129,-
Can Shelf Type GR-A, galvanized	B	133,-	50,-	183,-
Can Shelf Type GR-B, galvanized	B	133,-	50,-	183,-
Can Shelf Type GR-C, galvanized	B	133,-	50,-	183,-
AM-2, hot-dip galvanized	B	412,-	117,-	529,-
Drum Support FA 60-1, hot-dip galvanized	B	105,-	15,-	120,-
Drum Support FA 60-2, hot-dip galvanized	B	114,-	18,-	132,-
Drum Support FA 60-3, hot-dip galvanized	B	133,-	21,-	154,-
Drum Support FA 200-1, hot-dip galvanized	B	114,-	15,-	129,-
Can Shelf Type GR-A, galvanized	B	133,-	50,-	183,-
Can Shelf Type GR-B, galvanized	B	133,-	50,-	183,-
Can Shelf Type GR-C, galvanized	B	133,-	50,-	183,-
AM-4/A, painted	B	428,-	117,-	545,-
Drum Support FA 60-1, hot-dip galvanized	B	105,-	15,-	120,-
Drum Support FA 60-2, hot-dip galvanized	B	114,-	18,-	132,-
Drum Support FA 60-3, hot-dip galvanized	B	133,-	21,-	154,-
Drum Support FA 200-1, hot-dip galvanized	B	114,-	15,-	129,-
Drum Support FA 200-2, hot-dip galvanized	B	133,-	22,-	155,-
Can Shelf Type GR-A, galvanized	B	133,-	50,-	183,-
Can Shelf Type GR-B, galvanized	B	133,-	50,-	183,-
Can Shelf Type GR-C, galvanized	B	133,-	50,-	183,-
AM-4/A, hot-dip galvanized	B	482,-	186,-	668,-
Drum Support FA 60-1, hot-dip galvanized	B	105,-	15,-	120,-
Drum Support FA 60-2, hot-dip galvanized	B	114,-	18,-	132,-
Drum Support FA 60-3, hot-dip galvanized	B	133,-	21,-	154,-
Drum Support FA 200-1, hot-dip galvanized	B	114,-	15,-	129,-
Drum Support FA 200-2, hot-dip galvanized	B	133,-	22,-	155,-
Can Shelf Type GR-A, galvanized	B	133,-	50,-	183,-
Can Shelf Type GR-B, galvanized	B	133,-	50,-	183,-
Can Shelf Type GR-C, galvanized	B	133,-	50,-	183,-
AM-4/B, painted	B	514,-	186,-	700,-
Drum Support FA 60-1, hot-dip galvanized	B	105,-	15,-	120,-
Drum Support FA 60-2, hot-dip galvanized	B	114,-	18,-	132,-
Drum Support FA 60-3, hot-dip galvanized	B	133,-	21,-	154,-
Can Shelf Type GR-A, galvanized	B	133,-	50,-	183,-
Can Shelf Type GR-B, galvanized	B	133,-	50,-	183,-
Can Shelf Type GR-C, galvanized	B	133,-	50,-	183,-
AM-4/B, hot-dip galvanized	B	602,-	186,-	788,-
Drum Support FA 60-1, hot-dip galvanized	B	105,-	15,-	120,-
Drum Support FA 60-2, hot-dip galvanized	B	114,-	18,-	132,-

Prices in EUR, valid EXW DE-46354 Südlohn, DE-38820 Halberstadt, unpacked
Freight charges valid CPT Italy, islands and oversea territories excluded

Price List 0424 en-IT

Environment / Storage



Sump Tray Type AM	Category	Price	Freight charges	Price including freight charges
Drum Support FA 60-3, hot-dip galvanized	B	133,-	21,-	154,-
Can Shelf Type GR-A, galvanized	B	133,-	50,-	183,-
Can Shelf Type GR-B, galvanized	B	133,-	50,-	183,-
Can Shelf Type GR-C, galvanized	B	133,-	50,-	183,-

Sump Tray Type AO	Category	Price	Freight charges	Price including freight charges
AO-1, painted	B	282,-	117,-	399,-
AO-1, hot-dip galvanized	B	325,-	117,-	442,-
AO-2, painted	B	299,-	117,-	416,-
AO-2, hot-dip galvanized	B	354,-	117,-	471,-
AO-4/A, painted	B	311,-	117,-	428,-
AO-4/A, hot-dip galvanized	B	365,-	117,-	482,-
AO-4/B, painted	B	398,-	117,-	515,-
AO-4/B, hot-dip galvanized	B	483,-	117,-	600,-

Sump Tray Type AW	Category	Price	Freight charges	Price including freight charges
AW 450, painted	B	619,-	186,-	805,-
AW 450, hot-dip galvanized	B	768,-	186,-	954,-
AW 800, painted	B	644,-	186,-	830,-
AW 800, hot-dip galvanized	B	802,-	186,-	988,-
AW 1000, painted	B	649,-	186,-	835,-
AW 1000, hot-dip galvanized	B	809,-	186,-	995,-
AW 1000-2, painted	B	831,-	323,-	1154,-
AW 1000-2, hot-dip galvanized	B	933,-	323,-	1256,-
AW 1000-3, hot-dip galvanized	B	1585,-	401,-	1986,-
AW 1000-3, painted	B	1472,-	323,-	1795,-
AW 1000-10F, painted	B	997,-	323,-	1320,-
AW 1000-10F, hot-dip galvanized	B	1154,-	323,-	1477,-

Sump Tray Type AW/SW	Category	Price	Freight charges	Price including freight charges
AW 450/SW, painted	B	815,-	186,-	1001,-
AW 450/SW, hot-dip galvanized	B	964,-	273,-	1237,-
AW 800/SW, painted	B	839,-	273,-	1112,-
AW 800/SW, hot-dip galvanized	B	997,-	273,-	1270,-
AW 1000/SW, painted	B	844,-	273,-	1117,-
AW 1000/SW, hot-dip galvanized	B	1006,-	273,-	1279,-
AW 1000-2/SW, painted	B	1054,-	323,-	1377,-
AW 1000-2/SW, hot-dip galvanized	B	1155,-	401,-	1556,-
AW 1000-3/SW, painted	B	1726,-	401,-	2127,-
AW 1000-3/SW, hot-dip galvanized	B	2049,-	552,-	2601,-
AW 1000-10F/SW, painted	B	1340,-	401,-	1741,-
AW 1000-10F/SW, hot-dip galvanized	B	1495,-	401,-	1896,-

Mobile Sump Tray AW 60-1 SR	Category	Price	Freight charges	Price including freight charges
AW 60-1 SR, painted	B	314,-	117,-	431,-

Prices in EUR, valid EXW DE-46354 Südlohn, DE-38820 Halberstadt, unpacked
Freight charges valid CPT Italy, islands and oversea territories excluded

Price List 0424 en-IT

Environment / Storage



Mobile Sump Tray AW 60-1 SR	Category	Price	Freight charges	Price including freight charges
Fixture and Tension belt for 2 x 60 Litre Drums	B	43,-	8,-	51,-
AW 60-1 SR, hot-dip galvanized	B	333,-	117,-	450,-
Fixture and Tension belt for 2 x 60 Litre Drums	B	43,-	8,-	51,-
Mobile Sump Tray AW 60-1 SRF	Category	Price	Freight charges	Price including freight charges
AW 60-1 SRF, painted	B	414,-	117,-	531,-
AW 60-1 SRF, hot-dip galvanized	B	435,-	117,-	552,-
Sump Tray Type AW 60	Category	Price	Freight charges	Price including freight charges
AW 60-1, painted	B	170,-	50,-	220,-
Grid GR 60-1, hot-dip galvanized	B	22,-	8,-	30,-
Drum Support FA 60-A for Drum Shelf AG 60, galvanized	B	24,-	8,-	32,-
Rotating Support RA 60-A, hot-dip galvanized	B	93,-	9,-	102,-
AG 60-1, hot-dip galvanized	B	108,-	12,-	120,-
Canister Stand AB, galvanized	B	18,-	8,-	26,-
Castor Set, polyamide, Load capacity 375 kg / castor set	B	83,-	15,-	98,-
AW 60-1, hot-dip galvanized	B	182,-	50,-	232,-
Grid GR 60-1, hot-dip galvanized	B	22,-	8,-	30,-
Drum Support FA 60-A for Drum Shelf AG 60, galvanized	B	24,-	8,-	32,-
Rotating Support RA 60-A, hot-dip galvanized	B	93,-	9,-	102,-
AG 60-1, hot-dip galvanized	B	108,-	12,-	120,-
Canister Stand AB, galvanized	B	18,-	8,-	26,-
Castor Set, polyamide, Load capacity 375 kg / castor set	B	83,-	15,-	98,-
AW 60-2, painted	B	171,-	117,-	288,-
Grid GR 60-2, hot-dip galvanized	B	26,-	12,-	38,-
Drum Support FA 60-A for Drum Shelf AG 60, galvanized	B	24,-	8,-	32,-
Rotating Support RA 60-A, hot-dip galvanized	B	93,-	9,-	102,-
AG 60-2, hot-dip galvanized	B	113,-	14,-	127,-
Canister Stand AB, galvanized	B	18,-	8,-	26,-
Castor Set, polyamide, Load capacity 375 kg / castor set	B	83,-	15,-	98,-
AW 60-2, hot-dip galvanized	B	188,-	117,-	305,-
Grid GR 60-2, hot-dip galvanized	B	26,-	12,-	38,-
Drum Support FA 60-A for Drum Shelf AG 60, galvanized	B	24,-	8,-	32,-
Rotating Support RA 60-A, hot-dip galvanized	B	93,-	9,-	102,-
AG 60-2, hot-dip galvanized	B	113,-	14,-	127,-
Canister Stand AB, galvanized	B	18,-	8,-	26,-
Castor Set, polyamide, Load capacity 375 kg / castor set	B	83,-	15,-	98,-
AW 60-3, painted	B	186,-	117,-	303,-
Grid GR 60-3, hot-dip galvanized	B	38,-	14,-	52,-
Drum Support FA 60-A for Drum Shelf AG 60, galvanized	B	24,-	8,-	32,-
Rotating Support RA 60-A, hot-dip galvanized	B	93,-	9,-	102,-
AG 60-3, hot-dip galvanized	B	121,-	15,-	136,-
Canister Stand AB, galvanized	B	18,-	8,-	26,-
Castor Set, polyamide, Load capacity 375 kg / castor set	B	83,-	15,-	98,-
AW 60-3, hot-dip galvanized	B	209,-	117,-	326,-

Prices in EUR, valid EXW DE-46354 Südlohn, DE-38820 Halberstadt, unpacked
Freight charges valid CPT Italy, islands and oversea territories excluded

Price List 0424 en-IT

Environment / Storage



Sump Tray Type AW 60	Category	Price	Freight charges	Price including freight charges
Grid GR 60-3, hot-dip galvanized	B	38,-	14,-	52,-
Drum Support FA 60-A for Drum Shelf AG 60, galvanized	B	24,-	8,-	32,-
Rotating Support RA 60-A, hot-dip galvanized	B	93,-	9,-	102,-
AG 60-3, hot-dip galvanized	B	121,-	15,-	136,-
Canister Stand AB, galvanized	B	18,-	8,-	26,-
Castor Set, polyamide, Load capacity 375 kg / castor set	B	83,-	15,-	98,-
Sump Tray Type AW 60/M	Category	Price	Freight charges	Price including freight charges
AW 60-1/M, painted	B	189,-	117,-	306,-
Drum Support FA 60-A for Drum Shelf AG 60, galvanized	B	24,-	8,-	32,-
Rotating Support RA 60-A, hot-dip galvanized	B	93,-	9,-	102,-
AG 60-1, hot-dip galvanized	B	108,-	12,-	120,-
Canister Stand AB, galvanized	B	18,-	8,-	26,-
Castor Set, polyamide, Load capacity 375 kg / castor set	B	83,-	15,-	98,-
AW 60-1/M, hot-dip galvanized	B	203,-	117,-	320,-
Drum Support FA 60-A for Drum Shelf AG 60, galvanized	B	24,-	8,-	32,-
Rotating Support RA 60-A, hot-dip galvanized	B	93,-	9,-	102,-
AG 60-1, hot-dip galvanized	B	108,-	12,-	120,-
Canister Stand AB, galvanized	B	18,-	8,-	26,-
Castor Set, polyamide, Load capacity 375 kg / castor set	B	83,-	15,-	98,-
AW 60-2/M, painted	B	196,-	117,-	313,-
Drum Support FA 60-A for Drum Shelf AG 60, galvanized	B	24,-	8,-	32,-
Drum Support FA 60-2, hot-dip galvanized	B	114,-	18,-	132,-
Rotating Support RA 60-A, hot-dip galvanized	B	93,-	9,-	102,-
AG 60-2, hot-dip galvanized	B	113,-	14,-	127,-
Canister Stand AB, galvanized	B	18,-	8,-	26,-
Castor Set, polyamide, Load capacity 375 kg / castor set	B	83,-	15,-	98,-
AW 60-2/M, hot-dip galvanized	B	213,-	117,-	330,-
Drum Support FA 60-A for Drum Shelf AG 60, galvanized	B	24,-	8,-	32,-
Drum Support FA 60-2, hot-dip galvanized	B	114,-	18,-	132,-
Rotating Support RA 60-A, hot-dip galvanized	B	93,-	9,-	102,-
AG 60-2, hot-dip galvanized	B	113,-	14,-	127,-
Canister Stand AB, galvanized	B	18,-	8,-	26,-
Castor Set, polyamide, Load capacity 375 kg / castor set	B	83,-	15,-	98,-
AW 60-3/M, painted	B	224,-	117,-	341,-
Drum Support FA 60-A for Drum Shelf AG 60, galvanized	B	24,-	8,-	32,-
Drum Support FA 60-2, hot-dip galvanized	B	114,-	18,-	132,-
Drum Support FA 60-3, hot-dip galvanized	B	133,-	21,-	154,-
Rotating Support RA 60-A, hot-dip galvanized	B	93,-	9,-	102,-
AG 60-3, hot-dip galvanized	B	121,-	15,-	136,-
Canister Stand AB, galvanized	B	18,-	8,-	26,-
Castor Set, polyamide, Load capacity 375 kg / castor set	B	83,-	15,-	98,-
AW 60-3/M, hot-dip galvanized	B	245,-	117,-	362,-
Drum Support FA 60-A for Drum Shelf AG 60, galvanized	B	24,-	8,-	32,-
Drum Support FA 60-2, hot-dip galvanized	B	114,-	18,-	132,-
Drum Support FA 60-3, hot-dip galvanized	B	133,-	21,-	154,-

Prices in EUR, valid EXW DE-46354 Südlohn, DE-38820 Halberstadt, unpacked
Freight charges valid CPT Italy, islands and oversea territories excluded

Price List 0424 en-IT

Environment / Storage



Sump Tray Type AW 60/M	Category	Price	Freight charges	Price including freight charges
Rotating Support RA 60-A, hot-dip galvanized	B	93,-	9,-	102,-
AG 60-3, hot-dip galvanized	B	121,-	15,-	136,-
Canister Stand AB, galvanized	B	18,-	8,-	26,-
Castor Set, polyamide, Load capacity 375 kg / castor set	B	83,-	15,-	98,-

Sump Tray Type AW/PE	Category	Price	Freight charges	Price including freight charges
AW-1/PE, painted	B	635,-	117,-	752,-
AW-1/PE, hot-dip galvanized	B	664,-	117,-	781,-
AW-2/PE, painted	B	696,-	117,-	813,-
Drum Support FA 60-1, hot-dip galvanized	B	105,-	15,-	120,-
Drum Support FA 60-2, hot-dip galvanized	B	114,-	18,-	132,-
Drum Support FA 60-3, hot-dip galvanized	B	133,-	21,-	154,-
Drum Support FA 200-1, hot-dip galvanized	B	114,-	15,-	129,-
Can Shelf Type GR-A, galvanized	B	133,-	50,-	183,-
Can Shelf Type GR-B, galvanized	B	133,-	50,-	183,-
Can Shelf Type GR-C, galvanized	B	133,-	50,-	183,-
AW-2/PE, hot-dip galvanized	B	731,-	117,-	848,-
Drum Support FA 60-1, hot-dip galvanized	B	105,-	15,-	120,-
Drum Support FA 60-2, hot-dip galvanized	B	114,-	18,-	132,-
Drum Support FA 60-3, hot-dip galvanized	B	133,-	21,-	154,-
Drum Support FA 200-1, hot-dip galvanized	B	114,-	15,-	129,-
Can Shelf Type GR-A, galvanized	B	133,-	50,-	183,-
Can Shelf Type GR-B, galvanized	B	133,-	50,-	183,-
Can Shelf Type GR-C, galvanized	B	133,-	50,-	183,-
AW-4/A/PE, painted	B	790,-	186,-	976,-
Drum Support FA 60-1, hot-dip galvanized	B	105,-	15,-	120,-
Drum Support FA 60-2, hot-dip galvanized	B	114,-	18,-	132,-
Drum Support FA 60-3, hot-dip galvanized	B	133,-	21,-	154,-
Drum Support FA 200-1, hot-dip galvanized	B	114,-	15,-	129,-
Drum Support FA 200-2, hot-dip galvanized	B	133,-	22,-	155,-
Can Shelf Type GR-A, galvanized	B	133,-	50,-	183,-
Can Shelf Type GR-B, galvanized	B	133,-	50,-	183,-
Can Shelf Type GR-C, galvanized	B	133,-	50,-	183,-
AW-4/A/PE, hot-dip galvanized	B	829,-	186,-	1015,-
Drum Support FA 60-1, hot-dip galvanized	B	105,-	15,-	120,-
Drum Support FA 60-2, hot-dip galvanized	B	114,-	18,-	132,-
Drum Support FA 60-3, hot-dip galvanized	B	133,-	21,-	154,-
Drum Support FA 200-1, hot-dip galvanized	B	114,-	15,-	129,-
Drum Support FA 200-2, hot-dip galvanized	B	133,-	22,-	155,-
Can Shelf Type GR-A, galvanized	B	133,-	50,-	183,-
Can Shelf Type GR-B, galvanized	B	133,-	50,-	183,-
Can Shelf Type GR-C, galvanized	B	133,-	50,-	183,-
AW-4/B/PE, painted	B	986,-	236,-	1222,-
Drum Support FA 60-1, hot-dip galvanized	B	105,-	15,-	120,-
Drum Support FA 60-2, hot-dip galvanized	B	114,-	18,-	132,-
Drum Support FA 60-3, hot-dip galvanized	B	133,-	21,-	154,-

Prices in EUR, valid EXW DE-46354 Südlohn, DE-38820 Halberstadt, unpacked
Freight charges valid CPT Italy, islands and oversea territories excluded

Price List 0424 en-IT

Environment / Storage



Sump Tray Type AW/PE	Category	Price	Freight charges	Price including freight charges
Can Shelf Type GR-A, galvanized	B	133,-	50,-	183,-
Can Shelf Type GR-B, galvanized	B	133,-	50,-	183,-
Can Shelf Type GR-C, galvanized	B	133,-	50,-	183,-
AW-4/B/PE, hot-dip galvanized	B	1058,-	236,-	1294,-
Drum Support FA 60-1, hot-dip galvanized	B	105,-	15,-	120,-
Drum Support FA 60-2, hot-dip galvanized	B	114,-	18,-	132,-
Drum Support FA 60-3, hot-dip galvanized	B	133,-	21,-	154,-
Can Shelf Type GR-A, galvanized	B	133,-	50,-	183,-
Can Shelf Type GR-B, galvanized	B	133,-	50,-	183,-
Can Shelf Type GR-C, galvanized	B	133,-	50,-	183,-
AW 1000/PE, painted	B	1339,-	273,-	1612,-
AW 1000/PE, hot-dip galvanized	B	1521,-	273,-	1794,-
AW 1000-2/PE, painted	B	1642,-	323,-	1965,-
AW 1000-2/PE, hot-dip galvanized	B	1756,-	323,-	2079,-

Sump Trays AW 8-12	Category	Price	Freight charges	Price including freight charges
AW-8, painted	B	707,-	236,-	943,-
AW-8, hot-dip galvanized	B	787,-	323,-	1110,-
AW-10, painted	B	873,-	323,-	1196,-
AW-10, hot-dip galvanized	B	1197,-	323,-	1520,-
AW-12, painted	B	1000,-	323,-	1323,-
AW-12, hot-dip galvanized	B	1382,-	323,-	1705,-

Sump Tray Type AWA	Category	Price	Freight charges	Price including freight charges
AWA 1000, painted	B	834,-	186,-	1020,-
AWA 1000, hot-dip galvanized	B	1009,-	273,-	1282,-
AWA 1000-2, painted	B	1197,-	323,-	1520,-
AWA 1000-2, hot-dip galvanized	B	1327,-	323,-	1650,-
AWA 1000-3, painted	B	2177,-	401,-	2578,-
AWA 1000-3, hot-dip galvanized	B	2304,-	552,-	2856,-
AWA 21, painted	B	1012,-	323,-	1335,-
AWA 21, hot-dip galvanized	B	1142,-	323,-	1465,-
AWA 31, painted	B	1889,-	401,-	2290,-
AWA 31, hot-dip galvanized	B	2006,-	401,-	2407,-
AWA 32, painted	B	2055,-	401,-	2456,-
AWA 32, hot-dip galvanized	B	2173,-	401,-	2574,-

Sump Tray Type AWA/SW	Category	Price	Freight charges	Price including freight charges
AWA 1000/SW, painted	B	1028,-	273,-	1301,-
AWA 1000/SW, hot-dip galvanized	B	1203,-	273,-	1476,-
AWA 1000-2/SW, painted	B	1422,-	401,-	1823,-
AWA 1000-2/SW, hot-dip galvanized	B	1550,-	401,-	1951,-
AWA 1000-3/SW, painted	B	2432,-	552,-	2984,-
AWA 1000-3/SW, hot-dip galvanized	B	2558,-	552,-	3110,-
AWA 21/SW, painted	B	1234,-	401,-	1635,-

Prices in EUR, valid EXW DE-46354 Südlohn, DE-38820 Halberstadt, unpacked
Freight charges valid CPT Italy, islands and oversea territories excluded

Price List 0424 en-IT

Environment / Storage



Sump Tray Type AWA/SW	Category	Price	Freight charges	Price including freight charges
AWA 21/SW, hot-dip galvanized	B	1365,-	401,-	1766,-
AWA 31/SW, painted	B	2142,-	552,-	2694,-
AWA 31/SW, hot-dip galvanized	B	2259,-	552,-	2811,-
AWA 32/SW, painted	B	2307,-	552,-	2859,-
AWA 32/SW, hot-dip galvanized	B	2427,-	552,-	2979,-

Sump Tray Type AW-F	Category	Price	Freight charges	Price including freight charges
AW-F 1, painted	B	634,-	117,-	751,-
Fixture and Tension Belt for 1 x 200 Litre Drum	B	46,-	9,-	55,-
AW-F 1, hot-dip galvanized	B	753,-	117,-	870,-
Fixture and Tension Belt for 1 x 200 Litre Drum	B	46,-	9,-	55,-
AW-F 2, painted	B	664,-	117,-	781,-
Fixture and Tension Belt for 2 x 200 Litre Drums	B	46,-	9,-	55,-
AW-F 2, hot-dip galvanized	B	813,-	117,-	930,-
Fixture and Tension Belt for 2 x 200 Litre Drums	B	46,-	9,-	55,-

Ground Protection Spill Tray Type BSW	Category	Price	Freight charges	Price including freight charges
BSW 21, galvanized	B	433,-	186,-	619,-
Access Ramp AR 21, galvanized	B	160,-	22,-	182,-
Access Corner Piece AE 24, galvanized	B	125,-	10,-	135,-
Cross-Shaped Connector KV 24, galvanized	B	19,-	8,-	27,-
Tray Connecting Strip WV 21, galvanized	B	21,-	8,-	29,-
BSW 22, galvanized	B	570,-	186,-	756,-
Access Ramp AR 21, galvanized	B	160,-	22,-	182,-
Access Ramp AR 22, galvanized	B	203,-	32,-	235,-
Access Corner Piece AE 24, galvanized	B	125,-	10,-	135,-
Cross-Shaped Connector KV 24, galvanized	B	19,-	8,-	27,-
Tray Connecting Strip WV 21, galvanized	B	21,-	8,-	29,-
Tray Connecting Strip WV 22, galvanized	B	23,-	8,-	31,-
BSW 23, galvanized	B	738,-	200,-	938,-
Access Ramp AR 23, galvanized	B	289,-	167,-	456,-
Access Ramp AR 21, galvanized	B	160,-	22,-	182,-
Access Corner Piece AE 24, galvanized	B	125,-	10,-	135,-
Cross-Shaped Connector KV 24, galvanized	B	19,-	8,-	27,-
Tray Connecting Strip WV 21, galvanized	B	21,-	8,-	29,-
Tray Connecting Strip WV 23, galvanized	B	35,-	9,-	44,-
BSW 24, galvanized	B	1295,-	261,-	1556,-
Access Ramp AR 23, galvanized	B	289,-	167,-	456,-
Access Ramp AR 22, galvanized	B	203,-	32,-	235,-
Access Corner Piece AE 24, galvanized	B	125,-	10,-	135,-
Cross-Shaped Connector KV 24, galvanized	B	19,-	8,-	27,-
Tray Connecting Strip WV 22, galvanized	B	23,-	8,-	31,-
Tray Connecting Strip WV 23, galvanized	B	35,-	9,-	44,-
BSW 121, galvanized	B	192,-	50,-	242,-
Access Ramp AR 121, galvanized	B	157,-	22,-	179,-

Prices in EUR, valid EXW DE-46354 Südlohn, DE-38820 Halberstadt, unpacked
Freight charges valid CPT Italy, islands and oversea territories excluded

Price List 0424 en-IT

Environment / Storage



Ground Protection Spill Tray Type BSW	Category	Price	Freight charges	Price including freight charges
Cross-Shaped Connector KV 24, galvanized	B	19,-	8,-	27,-
Tray Connecting Strip WV 121, galvanized	B	20,-	9,-	29,-
BSW 122, galvanized	B	234,-	117,-	351,-
Access Ramp AR 121, galvanized	B	157,-	22,-	179,-
Access Ramp AR 122, galvanized	B	265,-	36,-	301,-
Access Corner Piece AE 124, galvanized	B	252,-	21,-	273,-
Cross-Shaped Connector KV 24, galvanized	B	19,-	8,-	27,-
Tray Connecting Strip WV 121, galvanized	B	20,-	9,-	29,-
Tray Connecting Strip WV 122, galvanized	B	25,-	9,-	34,-
BSW 123, galvanized	B	327,-	117,-	444,-
Access Ramp AR 122, galvanized	B	265,-	36,-	301,-
Access Corner Piece AE 124, galvanized	B	252,-	21,-	273,-
Cross-Shaped Connector KV 24, galvanized	B	19,-	8,-	27,-
Tray Connecting Strip WV 122, galvanized	B	25,-	9,-	34,-
BSW 124, galvanized	B	534,-	186,-	720,-
Access Ramp AR 122, galvanized	B	265,-	36,-	301,-
Access Ramp AR 123, galvanized	B	326,-	186,-	512,-
Access Corner Piece AE 124, galvanized	B	252,-	21,-	273,-
Cross-Shaped Connector KV 24, galvanized	B	19,-	8,-	27,-
Tray Connecting Strip WV 122, galvanized	B	25,-	9,-	34,-
Tray Connecting Strip WV 123, galvanized	B	34,-	9,-	43,-
BSW 125, galvanized	B	411,-	236,-	647,-
Access Ramp AR 121, galvanized	B	157,-	22,-	179,-
Access Ramp AR 124, galvanized	B	378,-	236,-	614,-
Access Corner Piece AE 124, galvanized	B	252,-	21,-	273,-
Cross-Shaped Connector KV 24, galvanized	B	19,-	8,-	27,-
Tray Connecting Strip WV 121, galvanized	B	20,-	9,-	29,-
Tray Connecting Strip WV 124, galvanized	B	47,-	9,-	56,-
BSW 126, galvanized	B	645,-	323,-	968,-
Access Ramp AR 122, galvanized	B	265,-	36,-	301,-
Access Ramp AR 124, galvanized	B	378,-	236,-	614,-
Access Corner Piece AE 124, galvanized	B	252,-	21,-	273,-
Cross-Shaped Connector KV 24, galvanized	B	19,-	8,-	27,-
Tray Connecting Strip WV 122, galvanized	B	25,-	9,-	34,-
Tray Connecting Strip WV 124, galvanized	B	47,-	9,-	56,-
Polyethylene Bunded Spill Flooring Type BWP-PE	Category	Price	Freight charges	Price including freight charges
BWP-PE 150, made of robust polyethylene	B	305,-	117,-	422,-
Ramp Type BWR, robust polyethylene, black	B	214,-	12,-	226,-
Joining Element BWV 2, stainless steel 1.4301	B	28,-	9,-	37,-
BWP-PE 300, made of robust polyethylene	B	619,-	117,-	736,-
Ramp Type BWR, robust polyethylene, black	B	214,-	12,-	226,-
Joining Element BWV 4, stainless steel 1.4301	B	36,-	10,-	46,-

Prices in EUR, valid EXW DE-46354 Südlohn, DE-38820 Halberstadt, unpacked
Freight charges valid CPT Italy, islands and oversea territories excluded

Price List 0424 en-IT

Environment / Storage



Polyethylene Bunded Spill Flooring Type BWPS-PE	Category	Price	Freight charges	Price including freight charges
BWPS-PE 300, made of robust polyethylene	B	759,-	167,-	926,-
Ramp Type BWR, robust polyethylene, black	B	214,-	12,-	226,-
Joining Element BWV 2, stainless steel 1.4301	B	28,-	9,-	37,-

Shelf Container Type CEH	Category	Price	Freight charges	Price including freight charges
CEH 29-2, painted	C	8832,-	on request	on request
CEH 29-2 IBC, painted	C	9735,-	on request	on request
CEH 36-2 IBC, painted	C	11330,-	on request	on request
CEH 38-2, painted	C	11322,-	on request	on request
CEH 59-2, painted	C	16765,-	on request	on request
CEH 59-2 IBC, painted	C	17999,-	on request	on request
CEH 75-2 IBC, painted	C	21334,-	on request	on request
CEH 81-2, painted	C	21762,-	on request	on request

Shelf Container Type CEN	Category	Price	Freight charges	Price including freight charges
CEN 29-2, painted	C	7453,-	on request	on request
Potential equalisation	C	177,-	0,-	177,-
CEN 29-2 IBC, painted	C	8136,-	on request	on request
Potential equalisation	C	177,-	0,-	177,-
CEN 29-2b, painted	C	12990,-	on request	on request
Potential equalisation	C	353,-	0,-	353,-
CEN 29-2b IBC, painted	C	13892,-	on request	on request
Potential equalisation	C	353,-	0,-	353,-
CEN 29-3, painted	C	11729,-	on request	on request
Potential equalisation	C	264,-	0,-	264,-
CEN 29-3 IBC, painted	C	12480,-	on request	on request
Potential equalisation	C	264,-	0,-	264,-
CEN 29-3b, painted	C	19088,-	on request	on request
Potential equalisation	C	527,-	0,-	527,-
CEN 29-3b IBC, painted	C	20156,-	on request	on request
Potential equalisation	C	527,-	0,-	527,-
CEN 33-2 IBC, painted	C	9075,-	on request	on request
Potential equalisation	C	177,-	0,-	177,-
CEN 33-2b IBC, painted	C	15207,-	on request	on request
Potential equalisation	C	353,-	0,-	353,-
CEN 33-3 IBC, painted	C	13380,-	on request	on request
Potential equalisation	C	264,-	0,-	264,-
CEN 33-3b IBC, painted	C	21273,-	on request	on request
Potential equalisation	C	527,-	0,-	527,-
CEN 36-2, painted	C	9149,-	on request	on request
Potential equalisation	C	177,-	0,-	177,-
CEN 36-2b, painted	C	15565,-	on request	on request
Potential equalisation	C	353,-	0,-	353,-
CEN 36-3, painted	C	13571,-	on request	on request
Potential equalisation	C	264,-	0,-	264,-

Prices in EUR, valid EXW DE-46354 Südlohn, DE-38820 Halberstadt, unpacked
Freight charges valid CPT Italy, islands and oversea territories excluded

Price List 0424 en-IT

Environment / Storage



Shelf Container Type CEN	Category	Price	Freight charges	Price including freight charges
CEN 36-3b, painted	C	21925,-	on request	on request
Potential equalisation	C	527,-	0,-	527,-
CEN 59-2, painted	C	12340,-	on request	on request
Potential equalisation	C	352,-	0,-	352,-
CEN 59-2 IBC, painted	C	13446,-	on request	on request
Potential equalisation	C	352,-	0,-	352,-
CEN 59-2b, painted	C	21238,-	on request	on request
Potential equalisation	C	704,-	0,-	704,-
CEN 59-2b IBC, painted	C	21984,-	on request	on request
Potential equalisation	C	704,-	0,-	704,-
CEN 59-3, painted	C	18998,-	on request	on request
Potential equalisation	C	526,-	0,-	526,-
CEN 59-3 IBC, painted	C	20108,-	on request	on request
Potential equalisation	C	526,-	0,-	526,-
CEN 59-3b, painted	C	30667,-	on request	on request
Potential equalisation	C	1052,-	0,-	1052,-
CEN 59-3b IBC, painted	C	32274,-	on request	on request
Potential equalisation	C	1052,-	0,-	1052,-
CEN 65-2 IBC, painted	C	14494,-	on request	on request
Potential equalisation	C	352,-	0,-	352,-
CEN 65-2b IBC, painted	C	24443,-	on request	on request
Potential equalisation	C	704,-	0,-	704,-
CEN 65-3 IBC, painted	C	21255,-	on request	on request
Potential equalisation	C	526,-	0,-	526,-
CEN 65-3b IBC, painted	C	34704,-	on request	on request
Potential equalisation	C	1052,-	0,-	1052,-
CEN 75-2, painted	C	15462,-	on request	on request
Potential equalisation	C	352,-	0,-	352,-
CEN 75-2b, painted	C	25589,-	on request	on request
Potential equalisation	C	704,-	0,-	704,-
CEN 75-3, painted	C	22305,-	on request	on request
Potential equalisation	C	526,-	0,-	526,-
CEN 75-3b, painted	C	36212,-	on request	on request
Potential equalisation	C	1052,-	0,-	1052,-
CEN 81-2, painted	C	16220,-	on request	on request
Potential equalisation	C	352,-	0,-	352,-
CEN 81-2b, painted	C	26755,-	on request	on request
Potential equalisation	C	704,-	0,-	704,-
CEN 81-3, painted	C	23356,-	on request	on request
Potential equalisation	C	526,-	0,-	526,-
CEN 81-3b, painted	C	37796,-	on request	on request
Potential equalisation	C	1052,-	0,-	1052,-
Sump Tray for Skips Type CW	Category	Price	Freight charges	Price including freight charges
CW 1, painted	B	2852,-	on request	on request
CW 2, painted	B	3116,-	on request	on request

Prices in EUR, valid EXW DE-46354 Südlohn, DE-38820 Halberstadt, unpacked
Freight charges valid CPT Italy, islands and oversea territories excluded

Price List 0424 en-IT

Environment / Storage



Sump Tray for Skips Type CW	Category	Price	Freight charges	Price including freight charges
CW 3, painted	B	3596,-	on request	on request

Sump Tray Type ECO	Category	Price	Freight charges	Price including freight charges
ECO 1/200, painted	B	237,-	117,-	354,-
ECO 1/200, hot-dip galvanized	B	247,-	117,-	364,-
ECO 2/200, painted	B	252,-	117,-	369,-
ECO 2/200, hot-dip galvanized	B	260,-	117,-	377,-
ECO 4/200, painted	B	275,-	117,-	392,-
ECO 4/200, hot-dip galvanized	B	286,-	117,-	403,-
ECO 4/400, painted	B	342,-	117,-	459,-
ECO 4/400, hot-dip galvanized	B	357,-	117,-	474,-
ECO 1/1000, painted	B	610,-	186,-	796,-
ECO 1/1000, hot-dip galvanized	B	733,-	186,-	919,-
ECO 2/1000, painted	B	798,-	236,-	1034,-
ECO 2/1000, hot-dip galvanized	B	884,-	236,-	1120,-

Sump Tray Type ECO-A	Category	Price	Freight charges	Price including freight charges
ECO-A 1/1000, painted	B	802,-	186,-	988,-
ECO-A 1/1000, hot-dip galvanized	B	938,-	186,-	1124,-
ECO-A 2/1000, painted	B	1179,-	323,-	1502,-
ECO-A 2/1000, hot-dip galvanized	B	1295,-	323,-	1618,-

Sump Tray Type ECO-S	Category	Price	Freight charges	Price including freight charges
ECO-S 2/200, hot-dip galvanized	B	3330,-	525,-	3855,-
ECO-S 4/200, hot-dip galvanized	B	3915,-	765,-	4680,-
ECO-S 4/400, hot-dip galvanized	B	4830,-	765,-	5595,-

Suspended Sump with Polyethylene Inlay Type EHW PE	Category	Price	Freight charges	Price including freight charges
EHW 1800 PE, painted	B	878,-	186,-	1064,-
EHW 1800 PE, hot-dip galvanized	B	890,-	186,-	1076,-
EHW 2200 PE, painted	B	953,-	186,-	1139,-
EHW 2200 PE, hot-dip galvanized	B	993,-	186,-	1179,-
EHW 2700 PE, painted	B	1105,-	323,-	1428,-
EHW 2700 PE, hot-dip galvanized	B	1170,-	323,-	1493,-
EHW 3300 PE, painted	B	1597,-	323,-	1920,-
EHW 3300 PE, hot-dip galvanized	B	1668,-	323,-	1991,-

Suspended Sump Type EHW	Category	Price	Freight charges	Price including freight charges
EHW 1800, painted	B	491,-	186,-	677,-
EHW 1800, hot-dip galvanized	B	503,-	186,-	689,-
EHW 2200, painted	B	544,-	186,-	730,-
EHW 2200, hot-dip galvanized	B	584,-	186,-	770,-
EHW 2700, painted	B	626,-	236,-	862,-
EHW 2700, hot-dip galvanized	B	692,-	236,-	928,-
EHW 3300, painted	B	968,-	323,-	1291,-

Prices in EUR, valid EXW DE-46354 Südlohn, DE-38820 Halberstadt, unpacked
Freight charges valid CPT Italy, islands and oversea territories excluded

Price List 0424 en-IT

Environment / Storage



Suspended Sump Type EHW	Category	Price	Freight charges	Price including freight charges
EHW 3300, hot-dip galvanized	B	1039,-	323,-	1362,-
EHW 3600, painted	B	1014,-	323,-	1337,-
EHW 3600, hot-dip galvanized	B	1092,-	323,-	1415,-
Drum Pallet Type FP	Category	Price	Freight charges	Price including freight charges
FP 2, hot-dip galvanized	B	88,-	117,-	205,-
Drum Shelve Type FR	Category	Price	Freight charges	Price including freight charges
FR-1, hot-dip galvanized	B	283,-	117,-	400,-
Can Stand Type GS, hot-dip galvanized	B	62,-	18,-	80,-
Clip-on Rotating Support, galvanized	B	82,-	10,-	92,-
FR-2, hot-dip galvanized	B	362,-	117,-	479,-
Can Stand Type GS, hot-dip galvanized	B	62,-	18,-	80,-
Clip-on Rotating Support, galvanized	B	82,-	10,-	92,-
FR-3, hot-dip galvanized	B	404,-	117,-	521,-
Can Stand Type GS, hot-dip galvanized	B	62,-	18,-	80,-
Rotating Support RA 60, hot-dip galvanized	B	93,-	9,-	102,-
Sump Tray Type FRA	Category	Price	Freight charges	Price including freight charges
FRA-1, painted	B	299,-	117,-	416,-
Grid, hot-dip galvanized	B	64,-	16,-	80,-
FRA-1, hot-dip galvanized	B	354,-	117,-	471,-
Grid, hot-dip galvanized	B	64,-	16,-	80,-
FRA-2, painted	B	311,-	117,-	428,-
Grid, hot-dip galvanized	B	127,-	24,-	151,-
FRA-2, hot-dip galvanized	B	365,-	117,-	482,-
Grid, hot-dip galvanized	B	127,-	24,-	151,-
FRA-3, painted	B	311,-	117,-	428,-
Grid, hot-dip galvanized	B	127,-	24,-	151,-
FRA-3, hot-dip galvanized	B	365,-	117,-	482,-
Grid, hot-dip galvanized	B	127,-	24,-	151,-
Drum Shelf Type FRE/M	Category	Price	Freight charges	Price including freight charges
FRE-1/M, hot-dip galvanized	B	217,-	21,-	238,-
Clip-on Rotating Support, galvanized	B	82,-	10,-	92,-
Can Stand Type GS, hot-dip galvanized	B	62,-	18,-	80,-
FRE-2/M, hot-dip galvanized	B	252,-	22,-	274,-
Clip-on Rotating Support, galvanized	B	82,-	10,-	92,-
Can Stand Type GS, hot-dip galvanized	B	62,-	18,-	80,-
FRE-3/M, hot-dip galvanized	B	269,-	27,-	296,-
Rotating Support RA 60, hot-dip galvanized	B	93,-	9,-	102,-
Can Stand Type GS, hot-dip galvanized	B	62,-	18,-	80,-
Can Shelf Type FRE-G/M	Category	Price	Freight charges	Price including freight charges
FRE-G1/M, hot-dip galvanized	B	228,-	27,-	255,-

Prices in EUR, valid EXW DE-46354 Südlohn, DE-38820 Halberstadt, unpacked
Freight charges valid CPT Italy, islands and oversea territories excluded

Price List 0424 en-IT

Environment / Storage



Can Shelf Type FRE-G/M	Category	Price	Freight charges	Price including freight charges
FRE-G2/M, hot-dip galvanized	B	264,-	32,-	296,-
Can Shelf for Small Cans Type FRG	Category	Price	Freight charges	Price including freight charges
FRG, hot-dip galvanized	B	368,-	117,-	485,-
Drum Stacking Pallet Type FSP-D	Category	Price	Freight charges	Price including freight charges
FSP-1 D, lackiert	B	816,-	186,-	1002,-
FSP-1 D, hot-dip galvanized	B	1068,-	186,-	1254,-
FSP-2 D, lackiert	B	870,-	186,-	1056,-
FSP-2 D, hot-dip galvanized	B	1180,-	186,-	1366,-
FSP-4 D, lackiert	B	1130,-	186,-	1316,-
FSP-4 D, hot-dip galvanized	B	1560,-	186,-	1746,-
Drum Stacking Pallet Type FSP-G	Category	Price	Freight charges	Price including freight charges
FSP-1 G, lackiert	B	793,-	186,-	979,-
FSP-1 G, hot-dip galvanized	B	1052,-	186,-	1238,-
FSP-2 G, painted	B	849,-	186,-	1035,-
FSP-2 G, hot-dip galvanized	B	1156,-	186,-	1342,-
FSP-4 G, painted	B	1109,-	273,-	1382,-
FSP-4 G, hot-dip galvanized	B	1533,-	273,-	1806,-
Drum Stacking Pallet Type FSP	Category	Price	Freight charges	Price including freight charges
FSP-1, painted	B	467,-	117,-	584,-
FSP-1, hot-dip galvanized	B	702,-	186,-	888,-
FSP-2, painted	B	632,-	186,-	818,-
FSP-2, hot-dip galvanized	B	882,-	186,-	1068,-
FSP-4, painted	B	720,-	186,-	906,-
FSP-4, hot-dip galvanized	B	1112,-	186,-	1298,-
Hazardous Materials Depot Type GD-A	Category	Price	Freight charges	Price including freight charges
GD-A, painted	C	736,-	186,-	922,-
Drum Support FA 60-1, hot-dip galvanized	B	105,-	15,-	120,-
Drum Support FA 60-2, hot-dip galvanized	B	114,-	18,-	132,-
Drum Support FA 60-3, hot-dip galvanized	B	133,-	21,-	154,-
Can Shelf Type GR-A, galvanized	B	133,-	50,-	183,-
Can Shelf Type GR-B, galvanized	B	133,-	50,-	183,-
Can Shelf Type GR-C, galvanized	B	133,-	50,-	183,-
GD-A, hot-dip galvanized	C	927,-	186,-	1113,-
Drum Support FA 60-1, hot-dip galvanized	B	105,-	15,-	120,-
Drum Support FA 60-2, hot-dip galvanized	B	114,-	18,-	132,-
Drum Support FA 60-3, hot-dip galvanized	B	133,-	21,-	154,-
Can Shelf Type GR-A, galvanized	B	133,-	50,-	183,-
Can Shelf Type GR-B, galvanized	B	133,-	50,-	183,-
Can Shelf Type GR-C, galvanized	B	133,-	50,-	183,-

Prices in EUR, valid EXW DE-46354 Südlohn, DE-38820 Halberstadt, unpacked
Freight charges valid CPT Italy, islands and oversea territories excluded

Price List 0424 en-IT

Environment / Storage



Hazardous Materials Depot Type GD-B	Category	Price	Freight charges	Price including freight charges
GD-B, painted	C	1316,-	186,-	1502,-
Drum Support FA 60-1, hot-dip galvanized	B	105,-	15,-	120,-
Drum Support FA 60-2, hot-dip galvanized	B	114,-	18,-	132,-
Drum Support FA 60-3, hot-dip galvanized	B	133,-	21,-	154,-
Can Shelf Type GR-A, galvanized	B	133,-	50,-	183,-
Can Shelf Type GR-B, galvanized	B	133,-	50,-	183,-
Can Shelf Type GR-C, galvanized	B	133,-	50,-	183,-
GD-B, hot-dip galvanized	C	1570,-	186,-	1756,-
Drum Support FA 60-1, hot-dip galvanized	B	105,-	15,-	120,-
Drum Support FA 60-2, hot-dip galvanized	B	114,-	18,-	132,-
Drum Support FA 60-3, hot-dip galvanized	B	133,-	21,-	154,-
Can Shelf Type GR-A, galvanized	B	133,-	50,-	183,-
Can Shelf Type GR-B, galvanized	B	133,-	50,-	183,-
Can Shelf Type GR-C, galvanized	B	133,-	50,-	183,-
Hazardous Materials Depot Type GD-C	Category	Price	Freight charges	Price including freight charges
GD-C, painted	C	1123,-	186,-	1309,-
Drum Support FA 60-1, hot-dip galvanized	B	105,-	15,-	120,-
Drum Support FA 60-2, hot-dip galvanized	B	114,-	18,-	132,-
Drum Support FA 60-3, hot-dip galvanized	B	133,-	21,-	154,-
Can Shelf Type GR-A, galvanized	B	133,-	50,-	183,-
Can Shelf Type GR-B, galvanized	B	133,-	50,-	183,-
Can Shelf Type GR-C, galvanized	B	133,-	50,-	183,-
GD-C, hot-dip galvanized	C	1269,-	186,-	1455,-
Drum Support FA 60-1, hot-dip galvanized	B	105,-	15,-	120,-
Drum Support FA 60-2, hot-dip galvanized	B	114,-	18,-	132,-
Drum Support FA 60-3, hot-dip galvanized	B	133,-	21,-	154,-
Can Shelf Type GR-A, galvanized	B	133,-	50,-	183,-
Can Shelf Type GR-B, galvanized	B	133,-	50,-	183,-
Can Shelf Type GR-C, galvanized	B	133,-	50,-	183,-
Hazardous Materials Depot Type GD-E	Category	Price	Freight charges	Price including freight charges
GD-E 2, galvanized	C	1509,-	273,-	1782,-
Drum Support FA 60-1, hot-dip galvanized	B	105,-	15,-	120,-
Drum Support FA 60-2, hot-dip galvanized	B	114,-	18,-	132,-
Drum Support FA 60-3, hot-dip galvanized	B	133,-	21,-	154,-
Can Shelf Type GR-A, galvanized	B	133,-	50,-	183,-
Can Shelf Type GR-B, galvanized	B	133,-	50,-	183,-
Can Shelf Type GR-C, galvanized	B	133,-	50,-	183,-
GD-E 4, galvanized	C	1842,-	351,-	2193,-
Drum Support FA 60-1, hot-dip galvanized	B	105,-	15,-	120,-
Drum Support FA 60-2, hot-dip galvanized	B	114,-	18,-	132,-
Drum Support FA 60-3, hot-dip galvanized	B	133,-	21,-	154,-
Can Shelf Type GR-A, galvanized	B	133,-	50,-	183,-
Can Shelf Type GR-B, galvanized	B	133,-	50,-	183,-

Prices in EUR, valid EXW DE-46354 Südlohn, DE-38820 Halberstadt, unpacked
Freight charges valid CPT Italy, islands and oversea territories excluded

Price List 0424 en-IT

Environment / Storage



Hazardous Materials Depot Type GD-E	Category	Price	Freight charges	Price including freight charges
Can Shelf Type GR-C, galvanized	B	133,-	50,-	183,-
Hazardous Materials Depot Type GD-E/IBC	Category	Price	Freight charges	Price including freight charges
GD-E/IBC, galvanized	C	2286,-	944,-	3230,-
GD-E/IBC-2, galvanized	C	3431,-	405,-	3836,-
Hazardous Materials Depot Type GD-N	Category	Price	Freight charges	Price including freight charges
GD-N 2, galvanized	C	1315,-	273,-	1588,-
Intermediate Storage Level ZB, galvanized, for Hazardous Materials Depot	C	102,-	18,-	120,-
Drum Support FA 60-1, hot-dip galvanized	B	105,-	15,-	120,-
Can Shelf Type GR-A, galvanized	B	133,-	50,-	183,-
Can Shelf Type GR-B, galvanized	B	133,-	50,-	183,-
Can Shelf Type GR-C, galvanized	B	133,-	50,-	183,-
GD-N 4, galvanized	C	1639,-	273,-	1912,-
Intermediate Storage Level ZB, galvanized, for Hazardous Materials Depot	C	102,-	18,-	120,-
Drum Support FA 60-1, hot-dip galvanized	B	105,-	15,-	120,-
Drum Support FA 60-2, hot-dip galvanized	B	114,-	18,-	132,-
Drum Support FA 200-1, hot-dip galvanized	B	114,-	15,-	129,-
Drum Support FA 200-2, hot-dip galvanized	B	133,-	22,-	155,-
Can Shelf Type GR-A, galvanized	B	133,-	50,-	183,-
Can Shelf Type GR-B, galvanized	B	133,-	50,-	183,-
Can Shelf Type GR-C, galvanized	B	133,-	50,-	183,-
Hazardous Materials Depot Type GD-N/R	Category	Price	Freight charges	Price including freight charges
GD-N/R 2, galvanized	C	1509,-	273,-	1782,-
Intermediate Storage Level ZB, galvanized, for Hazardous Materials Depot	C	102,-	18,-	120,-
Drum Support FA 60-1, hot-dip galvanized	B	105,-	15,-	120,-
Can Shelf Type GR-A, galvanized	B	133,-	50,-	183,-
Can Shelf Type GR-B, galvanized	B	133,-	50,-	183,-
Can Shelf Type GR-C, galvanized	B	133,-	50,-	183,-
GD-N/R 4, galvanized	C	1836,-	273,-	2109,-
Intermediate Storage Level ZB, galvanized, for Hazardous Materials Depot	C	102,-	18,-	120,-
Drum Support FA 60-1, hot-dip galvanized	B	105,-	15,-	120,-
Drum Support FA 60-2, hot-dip galvanized	B	114,-	18,-	132,-
Drum Support FA 200-1, hot-dip galvanized	B	114,-	15,-	129,-
Drum Support FA 200-2, hot-dip galvanized	B	133,-	22,-	155,-
Can Shelf Type GR-A, galvanized	B	133,-	50,-	183,-
Can Shelf Type GR-B, galvanized	B	133,-	50,-	183,-
Can Shelf Type GR-C, galvanized	B	133,-	50,-	183,-
Gas Cylinder Containers Type GFC	Category	Price	Freight charges	Price including freight charges
GFC-1 (grid floor), painted	B	4596,-	on request	on request
Access Ramp for Gas Cylinder Container GFC, hot-dip galvanized	B	157,-	22,-	179,-
GFC-2 (stud plate floor), painted	B	4665,-	on request	on request
Access Ramp for Gas Cylinder Container GFC, hot-dip galvanized	B	157,-	22,-	179,-

Prices in EUR, valid EXW DE-46354 Südlohn, DE-38820 Halberstadt, unpacked
Freight charges valid CPT Italy, islands and oversea territories excluded

Price List 0424 en-IT

Environment / Storage



Gas Cylinder Containers Type GFC-B	Category	Price	Freight charges	Price including freight charges
GFC-B M0, painted	B	3290,-	944,-	4234,-
Fixture with Safety Chain to Secure Gas Cylinders, hot-dip galvanized	B	69,-	12,-	81,-
GFC-B M1, painted	B	3815,-	1036,-	4851,-
Fixture with Safety Chain to Secure Gas Cylinders, hot-dip galvanized	B	69,-	12,-	81,-
GFC-B M2, painted	B	3974,-	1036,-	5010,-
Fixture with Safety Chain to Secure Gas Cylinders, hot-dip galvanized	B	69,-	12,-	81,-
Rack for Gas Cylinders Type GFG, galvanized	B	197,-	117,-	314,-
GFC-B M3, painted	B	4600,-	1036,-	5636,-
Fixture with Safety Chain to Secure Gas Cylinders, hot-dip galvanized	B	69,-	12,-	81,-
Rack for Gas Cylinders Type GFG, galvanized	B	197,-	117,-	314,-
GFC-B M4, painted	B	5173,-	1113,-	6286,-
Fixture with Safety Chain to Secure Gas Cylinders, hot-dip galvanized	B	69,-	12,-	81,-
Rack for Gas Cylinders Type GFG, galvanized	B	197,-	117,-	314,-
GFC-B M5, painted	B	7187,-	1113,-	8300,-
Fixture with Safety Chain to Secure Gas Cylinders, hot-dip galvanized	B	69,-	12,-	81,-
Rack for Gas Cylinders Type GFG, galvanized	B	197,-	117,-	314,-
Gas Cylinder Containers Type GFC-B/W	Category	Price	Freight charges	Price including freight charges
GFC-B/W M1, painted	B	4073,-	1036,-	5109,-
Fixture with Safety Chain to Secure Gas Cylinders, hot-dip galvanized	B	69,-	12,-	81,-
GFC-B/W M2, painted	B	4271,-	1036,-	5307,-
Fixture with Safety Chain to Secure Gas Cylinders, hot-dip galvanized	B	69,-	12,-	81,-
GFC-B/W M3, painted	B	4904,-	1036,-	5940,-
Fixture with Safety Chain to Secure Gas Cylinders, hot-dip galvanized	B	69,-	12,-	81,-
GFC-B/W M4, painted	B	5483,-	1113,-	6596,-
Fixture with Safety Chain to Secure Gas Cylinders, hot-dip galvanized	B	69,-	12,-	81,-
Rack for Gas Cylinders Type GFG, galvanized	B	197,-	117,-	314,-
GFC-B/W M5, painted	B	7578,-	1113,-	8691,-
Fixture with Safety Chain to Secure Gas Cylinders, hot-dip galvanized	B	69,-	12,-	81,-
Rack for Gas Cylinders Type GFG, galvanized	B	197,-	117,-	314,-
Gas Cylinder Containers Type GFC-E/G	Category	Price	Freight charges	Price including freight charges
GFC-E/G M0, hot-dip galvanized	B	1487,-	273,-	1760,-
Fixture with Safety Chain to Secure Gas Cylinders, hot-dip galvanized	B	38,-	12,-	50,-
GFC-E/G M1, hot-dip galvanized	B	2116,-	1036,-	3152,-
Fixture with Safety Chain to Secure Gas Cylinders, hot-dip galvanized	B	38,-	12,-	50,-
Rack for Gas Cylinders Type GFG, galvanized	B	197,-	117,-	314,-
Access Ramp AR, galvanized	B	157,-	22,-	179,-
Central Dividing Wall, galvanized	B	84,-	22,-	106,-
GFC-E/G M2, hot-dip galvanized	B	2319,-	1036,-	3355,-
Fixture with Safety Chain to Secure Gas Cylinders, hot-dip galvanized	B	38,-	12,-	50,-
Rack for Gas Cylinders Type GFG, galvanized	B	197,-	117,-	314,-
Access Ramp AR, galvanized	B	157,-	22,-	179,-
Central Dividing Wall, galvanized	B	124,-	32,-	156,-
GFC-E/G M3, hot-dip galvanized	B	2580,-	1036,-	3616,-

Prices in EUR, valid EXW DE-46354 Südlohn, DE-38820 Halberstadt, unpacked
Freight charges valid CPT Italy, islands and oversea territories excluded

Price List 0424 en-IT

Environment / Storage



Gas Cylinder Containers Type GFC-E/G	Category	Price	Freight charges	Price including freight charges
Fixture with Safety Chain to Secure Gas Cylinders, hot-dip galvanized	B	38,-	12,-	50,-
Rack for Gas Cylinders Type GFG, galvanized	B	197,-	117,-	314,-
Access Ramp AR, galvanized	B	157,-	22,-	179,-
Central Dividing Wall, galvanized	B	124,-	32,-	156,-
GFC-E/G M4, hot-dip galvanized	B	2797,-	1113,-	3910,-
Fixture with Safety Chain to Secure Gas Cylinders, hot-dip galvanized	B	38,-	12,-	50,-
Rack for Gas Cylinders Type GFG, galvanized	B	197,-	117,-	314,-
Access Ramp AR, galvanized	B	157,-	22,-	179,-
Central Dividing Wall, galvanized	B	124,-	32,-	156,-
GFC-E/G M5, hot-dip galvanized	B	3465,-	1113,-	4578,-
Fixture with Safety Chain to Secure Gas Cylinders, hot-dip galvanized	B	38,-	12,-	50,-
Rack for Gas Cylinders Type GFG, galvanized	B	197,-	117,-	314,-
Access Ramp AR, galvanized	B	157,-	22,-	179,-
Central Dividing Wall, galvanized	B	184,-	40,-	224,-

Gas Cylinder Containers Type GFC-E/T	Category	Price	Freight charges	Price including freight charges
GFC-E/T M0, hot-dip galvanized	B	1507,-	273,-	1780,-
Fixture with Safety Chain to Secure Gas Cylinders, hot-dip galvanized	B	38,-	12,-	50,-
GFC-E/T M1, hot-dip galvanized	B	2153,-	1036,-	3189,-
Fixture with Safety Chain to Secure Gas Cylinders, hot-dip galvanized	B	38,-	12,-	50,-
Rack for Gas Cylinders Type GFG, galvanized	B	197,-	117,-	314,-
Access Ramp AR, galvanized	B	157,-	22,-	179,-
Central Dividing Wall, galvanized	B	84,-	22,-	106,-
GFC-E/T M2, hot-dip galvanized	B	2365,-	1036,-	3401,-
Fixture with Safety Chain to Secure Gas Cylinders, hot-dip galvanized	B	38,-	12,-	50,-
Rack for Gas Cylinders Type GFG, galvanized	B	197,-	117,-	314,-
Access Ramp AR, galvanized	B	157,-	22,-	179,-
Central Dividing Wall, galvanized	B	124,-	32,-	156,-
GFC-E/T M3, hot-dip galvanized	B	2644,-	1036,-	3680,-
Fixture with Safety Chain to Secure Gas Cylinders, hot-dip galvanized	B	38,-	12,-	50,-
Rack for Gas Cylinders Type GFG, galvanized	B	197,-	117,-	314,-
Access Ramp AR, galvanized	B	157,-	22,-	179,-
Central Dividing Wall, galvanized	B	124,-	32,-	156,-
GFC-E/T M4, hot-dip galvanized	B	2859,-	1113,-	3972,-
Fixture with Safety Chain to Secure Gas Cylinders, hot-dip galvanized	B	38,-	12,-	50,-
Rack for Gas Cylinders Type GFG, galvanized	B	197,-	117,-	314,-
Access Ramp AR, galvanized	B	157,-	22,-	179,-
Central Dividing Wall, galvanized	B	124,-	32,-	156,-
GFC-E/T M5, hot-dip galvanized	B	3553,-	1113,-	4666,-
Fixture with Safety Chain to Secure Gas Cylinders, hot-dip galvanized	B	38,-	12,-	50,-
Rack for Gas Cylinders Type GFG, galvanized	B	197,-	117,-	314,-
Access Ramp AR, galvanized	B	157,-	22,-	179,-
Central Dividing Wall, galvanized	B	184,-	40,-	224,-

Prices in EUR, valid EXW DE-46354 Südlohn, DE-38820 Halberstadt, unpacked
Freight charges valid CPT Italy, islands and oversea territories excluded

Price List 0424 en-IT

Environment / Storage



Gas Cylinder Containers Type GFC-M/D	Category	Price	Freight charges	Price including freight charges
GFC-M0/D, hot-dip galvanized	B	993,-	186,-	1179,-
Grid Floor for Gas Cylinder Container GFC-M0, hot-dip galvanized	B	146,-	72,-	218,-
Fixture with Safety Chain to Secure Gas Cylinders, hot-dip galvanized	B	38,-	12,-	50,-
GFC-M1/D, hot-dip galvanized	B	1204,-	273,-	1477,-
Grid Floor for Gas Cylinder Container GFC-M1, hot-dip galvanized	B	264,-	117,-	381,-
Fixture with Safety Chain to Secure Gas Cylinders, hot-dip galvanized	B	38,-	12,-	50,-
Rack for Gas Cylinders Type GFG, galvanized	B	197,-	117,-	314,-
GFC-M2/D, hot-dip galvanized	B	1282,-	273,-	1555,-
Grid Floor for Gas Cylinder Container GFC-M2, hot-dip galvanized	B	362,-	117,-	479,-
Fixture with Safety Chain to Secure Gas Cylinders, hot-dip galvanized	B	38,-	12,-	50,-
Rack for Gas Cylinders Type GFG, galvanized	B	197,-	117,-	314,-
GFC-M3/D, hot-dip galvanized	B	1447,-	273,-	1720,-
Grid Floor for Gas Cylinder Container GFC-M3, hot-dip galvanized	B	492,-	186,-	678,-
Fixture with Safety Chain to Secure Gas Cylinders, hot-dip galvanized	B	38,-	12,-	50,-
Rack for Gas Cylinders Type GFG, galvanized	B	197,-	117,-	314,-
GFC-M4/D, hot-dip galvanized	B	1546,-	273,-	1819,-
Grid Floor for Gas Cylinder Container GFC-M4, hot-dip galvanized	B	605,-	186,-	791,-
Fixture with Safety Chain to Secure Gas Cylinders, hot-dip galvanized	B	38,-	12,-	50,-
Rack for Gas Cylinders Type GFG, galvanized	B	197,-	117,-	314,-
GFC-M5/D, hot-dip galvanized	B	1838,-	351,-	2189,-
Grid Floor for Gas Cylinder Container GFC-M5, hot-dip galvanized	B	739,-	186,-	925,-
Fixture with Safety Chain to Secure Gas Cylinders, hot-dip galvanized	B	38,-	12,-	50,-
Rack for Gas Cylinders Type GFG, galvanized	B	197,-	117,-	314,-
Gas Cylinder Containers Type GFC-M	Category	Price	Freight charges	Price including freight charges
GFC-M1, hot-dip galvanized	B	1063,-	186,-	1249,-
Grid Floor for Gas Cylinder Container GFC-M1, hot-dip galvanized	B	264,-	117,-	381,-
Fixture with Safety Chain to Secure Gas Cylinders, hot-dip galvanized	B	38,-	12,-	50,-
Rack for Gas Cylinders Type GFG, galvanized	B	197,-	117,-	314,-
GFC-M2, hot-dip galvanized	B	1129,-	273,-	1402,-
Grid Floor for Gas Cylinder Container GFC-M2, hot-dip galvanized	B	362,-	117,-	479,-
Fixture with Safety Chain to Secure Gas Cylinders, hot-dip galvanized	B	38,-	12,-	50,-
Rack for Gas Cylinders Type GFG, galvanized	B	197,-	117,-	314,-
GFC-M3, hot-dip galvanized	B	1267,-	273,-	1540,-
Grid Floor for Gas Cylinder Container GFC-M3, hot-dip galvanized	B	492,-	186,-	678,-
Fixture with Safety Chain to Secure Gas Cylinders, hot-dip galvanized	B	38,-	12,-	50,-
Rack for Gas Cylinders Type GFG, galvanized	B	197,-	117,-	314,-
GFC-M4, hot-dip galvanized	B	1333,-	273,-	1606,-
Grid Floor for Gas Cylinder Container GFC-M4, hot-dip galvanized	B	605,-	186,-	791,-
Fixture with Safety Chain to Secure Gas Cylinders, hot-dip galvanized	B	38,-	12,-	50,-
Rack for Gas Cylinders Type GFG, galvanized	B	197,-	117,-	314,-
GFC-M5, hot-dip galvanized	B	1547,-	273,-	1820,-
Grid Floor for Gas Cylinder Container GFC-M5, hot-dip galvanized	B	739,-	186,-	925,-
Fixture with Safety Chain to Secure Gas Cylinders, hot-dip galvanized	B	38,-	12,-	50,-
Rack for Gas Cylinders Type GFG, galvanized	B	197,-	117,-	314,-

Prices in EUR, valid EXW DE-46354 Südlohn, DE-38820 Halberstadt, unpacked
Freight charges valid CPT Italy, islands and oversea territories excluded

Price List 0424 en-IT

Environment / Storage



Gas Cylinder Containers Type GFC-M/D-DF	Category	Price	Freight charges	Price including freight charges
GFC-M1/D-DF, hot-dip galvanized	B	1375,-	273,-	1648,-
Grid Floor for Gas Cylinder Container GFC-M1, hot-dip galvanized	B	264,-	117,-	381,-
Fixture with Safety Chain to Secure Gas Cylinders, hot-dip galvanized	B	38,-	12,-	50,-
Rack for Gas Cylinders Type GFG, galvanized	B	197,-	117,-	314,-
GFC-M2/D-DF, hot-dip galvanized	B	1452,-	273,-	1725,-
Grid Floor for Gas Cylinder Container GFC-M2, hot-dip galvanized	B	362,-	117,-	479,-
Fixture with Safety Chain to Secure Gas Cylinders, hot-dip galvanized	B	38,-	12,-	50,-
Rack for Gas Cylinders Type GFG, galvanized	B	197,-	117,-	314,-
GFC-M3/D-DF, hot-dip galvanized	B	1618,-	273,-	1891,-
Grid Floor for Gas Cylinder Container GFC-M3, hot-dip galvanized	B	492,-	186,-	678,-
Fixture with Safety Chain to Secure Gas Cylinders, hot-dip galvanized	B	38,-	12,-	50,-
Rack for Gas Cylinders Type GFG, galvanized	B	197,-	117,-	314,-
GFC-M4/D-DF, hot-dip galvanized	B	1748,-	351,-	2099,-
Grid Floor for Gas Cylinder Container GFC-M4, hot-dip galvanized	B	605,-	186,-	791,-
Fixture with Safety Chain to Secure Gas Cylinders, hot-dip galvanized	B	38,-	12,-	50,-
Rack for Gas Cylinders Type GFG, galvanized	B	197,-	117,-	314,-
GFC-M5/D-DF, hot-dip galvanized	B	2040,-	351,-	2391,-
Grid Floor for Gas Cylinder Container GFC-M5, hot-dip galvanized	B	739,-	186,-	925,-
Fixture with Safety Chain to Secure Gas Cylinders, hot-dip galvanized	B	38,-	12,-	50,-
Rack for Gas Cylinders Type GFG, galvanized	B	197,-	117,-	314,-
Gas Cylinder Containers Type GFC-M-DF	Category	Price	Freight charges	Price including freight charges
GFC-M1-DF, hot-dip galvanized	B	1232,-	186,-	1418,-
Grid Floor for Gas Cylinder Container GFC-M1, hot-dip galvanized	B	264,-	117,-	381,-
Fixture with Safety Chain to Secure Gas Cylinders, hot-dip galvanized	B	38,-	12,-	50,-
Rack for Gas Cylinders Type GFG, galvanized	B	197,-	117,-	314,-
GFC-M2-DF, hot-dip galvanized	B	1300,-	273,-	1573,-
Grid Floor for Gas Cylinder Container GFC-M2, hot-dip galvanized	B	362,-	117,-	479,-
Fixture with Safety Chain to Secure Gas Cylinders, hot-dip galvanized	B	38,-	12,-	50,-
Rack for Gas Cylinders Type GFG, galvanized	B	197,-	117,-	314,-
GFC-M3-DF, hot-dip galvanized	B	1439,-	273,-	1712,-
Grid Floor for Gas Cylinder Container GFC-M3, hot-dip galvanized	B	492,-	186,-	678,-
Fixture with Safety Chain to Secure Gas Cylinders, hot-dip galvanized	B	38,-	12,-	50,-
Rack for Gas Cylinders Type GFG, galvanized	B	197,-	117,-	314,-
GFC-M4-DF, hot-dip galvanized	B	1537,-	273,-	1810,-
Grid Floor for Gas Cylinder Container GFC-M4, hot-dip galvanized	B	605,-	186,-	791,-
Fixture with Safety Chain to Secure Gas Cylinders, hot-dip galvanized	B	38,-	12,-	50,-
Rack for Gas Cylinders Type GFG, galvanized	B	197,-	117,-	314,-
GFC-M5-DF, hot-dip galvanized	B	1750,-	351,-	2101,-
Grid Floor for Gas Cylinder Container GFC-M5, hot-dip galvanized	B	739,-	186,-	925,-
Fixture with Safety Chain to Secure Gas Cylinders, hot-dip galvanized	B	38,-	12,-	50,-
Rack for Gas Cylinders Type GFG, galvanized	B	197,-	117,-	314,-
Gas Cylinder Depot Type GFD-G	Category	Price	Freight charges	Price including freight charges
GFD-G 1, galvanized	B	414,-	186,-	600,-

Prices in EUR, valid EXW DE-46354 Südlohn, DE-38820 Halberstadt, unpacked
Freight charges valid CPT Italy, islands and oversea territories excluded

Price List 0424 en-IT

Environment / Storage



Gas Cylinder Depot Type GFD-G	Category	Price	Freight charges	Price including freight charges
GFD-G 2, galvanized	B	763,-	186,-	949,-
Gas Cylinder Depot Type GFD-L	Category	Price	Freight charges	Price including freight charges
GFD-L 1, galvanized	B	446,-	117,-	563,-
GFD-L 2, galvanized	B	850,-	186,-	1036,-
Gas Cylinder Depot Type GFD-R	Category	Price	Freight charges	Price including freight charges
GFD-R 2, painted	B	747,-	117,-	864,-
GFD-R 2, hot-dip galvanized	B	771,-	117,-	888,-
GFD-R 4, painted	B	849,-	117,-	966,-
GFD-R 4, hot-dip galvanized	B	878,-	117,-	995,-
Hazardous Materials Cabinet Type GS	Category	Price	Freight charges	Price including freight charges
GS-1, painted	B	762,-	186,-	948,-
Intermediate Storage Level, galvanized	B	86,-	14,-	100,-
GS-1, hot-dip galvanized	B	820,-	186,-	1006,-
Intermediate Storage Level, galvanized	B	86,-	14,-	100,-
GS-2, painted	B	1013,-	273,-	1286,-
Intermediate Storage Level, galvanized	B	86,-	14,-	100,-
GS-2, hot-dip galvanized	B	1100,-	273,-	1373,-
Intermediate Storage Level, galvanized	B	86,-	14,-	100,-
GS-3, painted	B	2070,-	351,-	2421,-
GS-3, hot-dip galvanized	B	2217,-	351,-	2568,-
GS-4, painted	B	2081,-	944,-	3025,-
GS-4, hot-dip galvanized	B	2260,-	944,-	3204,-
Gas Cylinder Wall Bracket Type GWH	Category	Price	Freight charges	Price including freight charges
GWH 140-I, hot-dip galvanized	F	25,-	50,-	75,-
GWH 140-II, hot-dip galvanized	F	38,-	50,-	88,-
GWH 140-III, hot-dip galvanized	F	57,-	50,-	107,-
GWH 230-I, hot-dip galvanized	F	27,-	50,-	77,-
GWH 230-II, hot-dip galvanized	F	41,-	50,-	91,-
GWH 230-III, hot-dip galvanized	F	62,-	50,-	112,-
GWH 320-I, hot-dip galvanized	F	28,-	50,-	78,-
GWH 320-II, hot-dip galvanized	F	46,-	50,-	96,-
GWH 320-III, hot-dip galvanized	F	69,-	50,-	119,-
Tilting Canister Stand Type KAH	Category	Price	Freight charges	Price including freight charges
KAH-5, galvanized	A	92,-	50,-	142,-
KAH-25, galvanized	A	105,-	50,-	155,-
KAH-60, galvanized	A	135,-	50,-	185,-
Spill Tray for Canisters/Small Cans Type KGW	Category	Price	Freight charges	Price including freight charges
KGW 1, galvanized	B	88,-	50,-	138,-
KGW 1 V4A, stainless steel 1.4571	B	270,-	50,-	320,-

Prices in EUR, valid EXW DE-46354 Südlohn, DE-38820 Halberstadt, unpacked
Freight charges valid CPT Italy, islands and oversea territories excluded

Price List 0424 en-IT

Environment / Storage



Spill Tray for Canisters/Small Cans Type KGW	Category	Price	Freight charges	Price including freight charges
KGW 2, galvanized	B	92,-	50,-	142,-
KGW 2 V4A, stainless steel 1.4571	B	311,-	50,-	361,-
KGW 3, galvanized	B	96,-	50,-	146,-
KGW 3 V4A, stainless steel 1.4571	B	386,-	50,-	436,-
KGW 4, galvanized	B	113,-	117,-	230,-
KGW 4 V4A, stainless steel 1.4571	B	456,-	117,-	573,-
KGW 5, galvanized	B	155,-	117,-	272,-
KGW 5 V4A, stainless steel 1.4571	B	593,-	117,-	710,-

Spill Tray for Canisters/Small Cans Type KGW/M	Category	Price	Freight charges	Price including freight charges
KGW 1/M, galvanized	B	124,-	50,-	174,-
KGW 1/M V4A, stainless steel 1.4571	B	406,-	50,-	456,-
KGW 2/M, galvanized	B	132,-	50,-	182,-
KGW 2/M V4A, stainless steel 1.4571	B	468,-	50,-	518,-
KGW 3/M, galvanized	B	151,-	50,-	201,-
KGW 3/M V4A, stainless steel 1.4571	B	589,-	50,-	639,-
KGW 4/M, galvanized	B	175,-	117,-	292,-
KGW 4/M V4A, stainless steel 1.4571	B	705,-	117,-	822,-
KGW 5/M, galvanized	B	227,-	117,-	344,-
KGW 5/M V4A, stainless steel 1.4571	B	929,-	117,-	1046,-

Spill Tray for Canisters/Small Cans on Pallets Type KGW-P	Category	Price	Freight charges	Price including freight charges
KGW-P 1, galvanized	B	94,-	50,-	144,-
KGW-P 1 V4A, stainless steel 1.4571	B	266,-	50,-	316,-
KGW-P 2, galvanized	B	142,-	50,-	192,-
KGW-P 2 V4A, stainless steel 1.4571	B	382,-	50,-	432,-
KGW-P 3, galvanized	B	178,-	117,-	295,-
KGW-P 3 V4A, stainless steel 1.4571	B	586,-	50,-	636,-
KGW-P 4, galvanized	B	169,-	50,-	219,-
KGW-P 4 V4A, stainless steel 1.4571	B	450,-	50,-	500,-

Spill Tray for Canisters/Small Cans on Pallets Type KGW-P/M	Category	Price	Freight charges	Price including freight charges
KGW-P 1/M, galvanized	B	137,-	50,-	187,-
KGW-P 1/M V4A, stainless steel 1.4571	B	385,-	50,-	435,-
KGW-P 2/M, galvanized	B	210,-	50,-	260,-
KGW-P 2/M V4A, stainless steel 1.4571	B	559,-	50,-	609,-
KGW-P 3/M, galvanized	B	256,-	117,-	373,-
KGW-P 3/M V4A, stainless steel 1.4571	B	864,-	117,-	981,-
KGW-P 4/M, galvanized	B	241,-	50,-	291,-
KGW-P 4/M V4A, stainless steel 1.4571	B	694,-	50,-	744,-

Diesel Filling Point Type KPS	Category	Price	Freight charges	Price including freight charges
KPS 1, painted	B	2865,-	on request	on request
KPS 2, painted	B	3723,-	on request	on request
KPS 3, painted	B	5248,-	on request	on request

Prices in EUR, valid EXW DE-46354 Südlohn, DE-38820 Halberstadt, unpacked
Freight charges valid CPT Italy, islands and oversea territories excluded

Price List 0424 en-IT

Environment / Storage



Polyethylene Sump Tray for Pallets Type KWP-P	Category	Price	Freight charges	Price including freight charges
KWP-P 20, made of robust polyethylene	B	46,-	50,-	96,-
Deck with Punched Holes LR-PE 20, robust polyethylene, black	B	61,-	14,-	75,-
KWP-P 30, made of robust polyethylene	B	56,-	50,-	106,-
Deck with Punched Holes LR-PE 30, robust polyethylene, black	B	63,-	14,-	77,-
KWP-P 40, made of robust polyethylene	B	62,-	50,-	112,-
Deck with Punched Holes LR-PE 40, robust polyethylene, black	B	67,-	14,-	81,-
KWP-P 60, made of robust polyethylene	B	99,-	50,-	149,-
Deck with punched holes LR-PE 60, robust polyethylene, black	B	70,-	14,-	84,-
KWP-P 100, made of robust polyethylene	B	113,-	117,-	230,-
Deck with punched holes LR-PE 100, robust polyethylene, black	B	86,-	16,-	102,-

Mobile Sump Tray with Perforated Panel Type LPW	Category	Price	Freight charges	Price including freight charges
LPW 60-1, painted	B	605,-	117,-	722,-
Tool Deposit for Sump Trays with Perforated Panel Type LPW	B	30,-	16,-	46,-
Drip Tray for Sump Trays with Perforated Panel Type LPW	B	48,-	16,-	64,-
LPW 60-1, hot-dip galvanized	B	623,-	117,-	740,-
Tool Deposit for Sump Trays with Perforated Panel Type LPW	B	30,-	16,-	46,-
Drip Tray for Sump Trays with Perforated Panel Type LPW	B	48,-	16,-	64,-
LPW 60-2, painted	B	618,-	117,-	735,-
Tool Deposit for Sump Trays with Perforated Panel Type LPW	B	30,-	16,-	46,-
Drip Tray for Sump Trays with Perforated Panel Type LPW	B	48,-	16,-	64,-
LPW 60-2, hot-dip galvanized	B	638,-	117,-	755,-
Tool Deposit for Sump Trays with Perforated Panel Type LPW	B	30,-	16,-	46,-
Drip Tray for Sump Trays with Perforated Panel Type LPW	B	48,-	16,-	64,-
LPW 60-3, painted	B	624,-	117,-	741,-
Tool Deposit for Sump Trays with Perforated Panel Type LPW	B	30,-	16,-	46,-
Drip Tray for Sump Trays with Perforated Panel Type LPW	B	48,-	16,-	64,-
LPW 60-3, hot-dip galvanized	B	644,-	117,-	761,-
Tool Deposit for Sump Trays with Perforated Panel Type LPW	B	30,-	16,-	46,-
Drip Tray for Sump Trays with Perforated Panel Type LPW	B	48,-	16,-	64,-
LPW 200-1, painted	B	794,-	186,-	980,-
Tool Deposit for Sump Trays with Perforated Panel Type LPW	B	30,-	16,-	46,-
Drip Tray for Sump Trays with Perforated Panel Type LPW	B	48,-	16,-	64,-
LPW 200-1, hot-dip galvanized	B	827,-	186,-	1013,-
Tool Deposit for Sump Trays with Perforated Panel Type LPW	B	30,-	16,-	46,-
Drip Tray for Sump Trays with Perforated Panel Type LPW	B	48,-	16,-	64,-
LPW 200-2, painted	B	833,-	186,-	1019,-
Tool Deposit for Sump Trays with Perforated Panel Type LPW	B	30,-	16,-	46,-
Drip Tray for Sump Trays with Perforated Panel Type LPW	B	48,-	16,-	64,-
LPW 200-2, hot-dip galvanized	B	868,-	186,-	1054,-
Tool Deposit for Sump Trays with Perforated Panel Type LPW	B	30,-	16,-	46,-
Drip Tray for Sump Trays with Perforated Panel Type LPW	B	48,-	16,-	64,-
LPW 200-3, painted	B	848,-	186,-	1034,-
Tool Deposit for Sump Trays with Perforated Panel Type LPW	B	30,-	16,-	46,-
Drip Tray for Sump Trays with Perforated Panel Type LPW	B	48,-	16,-	64,-
LPW 200-3, hot-dip galvanized	B	883,-	186,-	1069,-

Prices in EUR, valid EXW DE-46354 Südlohn, DE-38820 Halberstadt, unpacked
Freight charges valid CPT Italy, islands and oversea territories excluded

Price List 0424 en-IT

Environment / Storage



Mobile Sump Tray with Perforated Panel Type LPW	Category	Price	Freight charges	Price including freight charges
Tool Deposit for Sump Trays with Perforated Panel Type LPW	B	30,-	16,-	46,-
Drip Tray for Sump Trays with Perforated Panel Type LPW	B	48,-	16,-	64,-
LPW 200-4, painted	B	1019,-	186,-	1205,-
LPW 200-4, hot-dip galvanized	B	1049,-	186,-	1235,-
Modular Sump Tray Type MAW	Category	Price	Freight charges	Price including freight charges
MAW, painted	B	324,-	117,-	441,-
MAW, hot-dip galvanized	B	353,-	117,-	470,-
Element No. 1: grid grate incl. supportS, painted	B	75,-	18,-	93,-
Element No. 2: galvanized handle + castors	B	133,-	19,-	152,-
Element No. 3: runners, painted	B	99,-	15,-	114,-
Element No. 3: runners, hot-dip galvanized	B	63,-	15,-	78,-
Element No. 6: surround, galvanized	B	580,-	117,-	697,-
Spline Sump Type PW	Category	Price	Freight charges	Price including freight charges
PW 200-2, painted	B	236,-	117,-	353,-
PW 200-2, hot-dip galvanized	B	227,-	117,-	344,-
PW 200-4, painted	B	261,-	117,-	378,-
PW 200-4, hot-dip galvanized	B	252,-	117,-	369,-
PW 400-4, painted	B	337,-	117,-	454,-
PW 400-4, hot-dip galvanized	B	320,-	117,-	437,-
Spline Sump Type PWE	Category	Price	Freight charges	Price including freight charges
PWE 200-2, painted	B	209,-	117,-	326,-
PWE 200-2, hot-dip galvanized	B	200,-	117,-	317,-
PWE 200-4, painted	B	228,-	117,-	345,-
PWE 200-4, hot-dip galvanized	B	220,-	117,-	337,-
PWE 400-4, painted	B	278,-	117,-	395,-
PWE 400-4, hot-dip galvanized	B	268,-	117,-	385,-
Hazardous Materials Cabinet with Roller Shutter Door Type RSG	Category	Price	Freight charges	Price including freight charges
RSG-1, painted	B	1841,-	186,-	2027,-
Set of 4 Feet, height adjustable	B	77,-	9,-	86,-
RSG-2, painted	B	1855,-	186,-	2041,-
Set of 4 Feet, height adjustable	B	77,-	9,-	86,-
RSG-3, painted	B	1904,-	186,-	2090,-
Set of 4 Feet, height adjustable	B	77,-	9,-	86,-
RSG-4, painted	B	2037,-	273,-	2310,-
Set of 4 Feet, height adjustable	B	77,-	9,-	86,-
Shelf Sump with Polyethylene Inlay Type RW PE	Category	Price	Freight charges	Price including freight charges
RW 1800 PE, painted	B	1008,-	186,-	1194,-
RW 1800 PE, hot-dip galvanized	B	1062,-	186,-	1248,-
RW 2200-1 PE, painted	B	1052,-	186,-	1238,-
RW 2200-1 PE, hot-dip galvanized	B	1108,-	186,-	1294,-

Prices in EUR, valid EXW DE-46354 Südlohn, DE-38820 Halberstadt, unpacked
Freight charges valid CPT Italy, islands and oversea territories excluded

Price List 0424 en-IT

Environment / Storage



Shelf Sump with Polyethylene Inlay Type RW PE	Category	Price	Freight charges	Price including freight charges
RW 2200-2 PE, painted	B	1232,-	186,-	1418,-
RW 2200-2 PE, hot-dip galvanized	B	1295,-	186,-	1481,-
RW 2700-1 PE, painted	B	1070,-	236,-	1306,-
RW 2700-1 PE, hot-dip galvanized	B	1151,-	236,-	1387,-
RW 2700-2 PE, painted	B	1223,-	236,-	1459,-
RW 2700-2 PE, hot-dip galvanized	B	1318,-	236,-	1554,-
RW 2700-3 PE, painted	B	1416,-	236,-	1652,-
RW 2700-3 PE, hot-dip galvanized	B	1538,-	236,-	1774,-
RW 3300-1 PE, painted	B	1369,-	236,-	1605,-
RW 3300-1 PE, hot-dip galvanized	B	1458,-	236,-	1694,-
RW 3300-2 PE, painted	B	1483,-	236,-	1719,-
RW 3300-2 PE, hot-dip galvanized	B	1581,-	236,-	1817,-
RW 3300-3 PE, painted	B	1679,-	323,-	2002,-
RW 3300-3 PE, hot-dip galvanized	B	1787,-	323,-	2110,-

Shelf Sump Type RW	Category	Price	Freight charges	Price including freight charges
RW 1800, painted	B	489,-	117,-	606,-
RW 1800, hot-dip galvanized	B	542,-	117,-	659,-
RW 2200-1, painted	B	501,-	117,-	618,-
RW 2200-1, hot-dip galvanized	B	557,-	117,-	674,-
RW 2200-2, painted	B	514,-	186,-	700,-
RW 2200-2, hot-dip galvanized	B	576,-	186,-	762,-
RW 2700-1, painted	B	510,-	236,-	746,-
RW 2700-1, hot-dip galvanized	B	590,-	236,-	826,-
RW 2700-2, painted	B	586,-	236,-	822,-
RW 2700-2, hot-dip galvanized	B	682,-	236,-	918,-
RW 2700-3, painted	B	634,-	236,-	870,-
RW 2700-3, hot-dip galvanized	B	754,-	236,-	990,-
RW 3300-1, painted	B	657,-	236,-	893,-
RW 3300-1, hot-dip galvanized	B	747,-	236,-	983,-
RW 3300-2, painted	B	722,-	236,-	958,-
RW 3300-2, hot-dip galvanized	B	821,-	236,-	1057,-
RW 3300-3, painted	B	805,-	236,-	1041,-
RW 3300-3, hot-dip galvanized	B	913,-	236,-	1149,-

Shelf Sump with Polyethylene Inlay Type RW-GR PE	Category	Price	Freight charges	Price including freight charges
RW-GR 1800 PE, painted	B	1138,-	186,-	1324,-
RW-GR 1800 PE, hot-dip galvanized	B	1189,-	186,-	1375,-
RW-GR 2200-1 PE, painted	B	1212,-	186,-	1398,-
RW-GR 2200-1 PE, hot-dip galvanized	B	1268,-	186,-	1454,-
RW-GR 2200-2 PE, painted	B	1394,-	273,-	1667,-
RW-GR 2200-2 PE, hot-dip galvanized	B	1454,-	273,-	1727,-
RW-GR 2700-1 PE, painted	B	1268,-	323,-	1591,-
RW-GR 2700-1 PE, hot-dip galvanized	B	1347,-	323,-	1670,-
RW-GR 2700-2 PE, painted	B	1419,-	323,-	1742,-

Prices in EUR, valid EXW DE-46354 Südlohn, DE-38820 Halberstadt, unpacked
Freight charges valid CPT Italy, islands and oversea territories excluded

Price List 0424 en-IT

Environment / Storage



Shelf Sump with Polyethylene Inlay Type RW-GR PE	Category	Price	Freight charges	Price including freight charges
RW-GR 2700-2 PE, hot-dip galvanized	B	1516,-	323,-	1839,-
RW-GR 2700-3 PE, painted	B	1614,-	323,-	1937,-
RW-GR 2700-3 PE, hot-dip galvanized	B	1715,-	323,-	2038,-
RW-GR 3300-1 PE, painted	B	1729,-	323,-	2052,-
RW-GR 3300-1 PE, hot-dip galvanized	B	1818,-	323,-	2141,-
RW-GR 3300-2 PE, painted	B	1841,-	323,-	2164,-
RW-GR 3300-2 PE, hot-dip galvanized	B	1949,-	323,-	2272,-
RW-GR 3300-3 PE, painted	B	2038,-	401,-	2439,-
RW-GR 3300-3 PE, hot-dip galvanized	B	2146,-	401,-	2547,-

Shelf Sump Type RW-GR	Category	Price	Freight charges	Price including freight charges
RW-GR 1800, painted	B	619,-	186,-	805,-
RW-GR 1800, hot-dip galvanized	B	672,-	186,-	858,-
RW-GR 2200-1, painted	B	662,-	186,-	848,-
RW-GR 2200-1, hot-dip galvanized	B	719,-	186,-	905,-
RW-GR 2200-2, painted	B	676,-	273,-	949,-
RW-GR 2200-2, hot-dip galvanized	B	735,-	273,-	1008,-
RW-GR 2700-1, painted	B	707,-	236,-	943,-
RW-GR 2700-1, hot-dip galvanized	B	787,-	323,-	1110,-
RW-GR 2700-2, painted	B	783,-	323,-	1106,-
RW-GR 2700-2, hot-dip galvanized	B	880,-	323,-	1203,-
RW-GR 2700-3, painted	B	831,-	323,-	1154,-
RW-GR 2700-3, hot-dip galvanized	B	933,-	323,-	1256,-
RW-GR 3300-1, painted	B	1016,-	323,-	1339,-
RW-GR 3300-1, hot-dip galvanized	B	1107,-	323,-	1430,-
RW-GR 3300-2, painted	B	1081,-	323,-	1404,-
RW-GR 3300-2, hot-dip galvanized	B	1188,-	323,-	1511,-
RW-GR 3300-3, painted	B	1165,-	323,-	1488,-
RW-GR 3300-3, hot-dip galvanized	B	1272,-	323,-	1595,-
RW-GR 3600-3, painted	B	1285,-	323,-	1608,-
RW-GR 3600-3, hot-dip galvanized	B	1432,-	323,-	1755,-

Safety Cabinet Type SIW	Category	Price	Freight charges	Price including freight charges
SIW 1005	B	575,-	117,-	692,-
SIW 2005	B	725,-	186,-	911,-

Diesel Filling Point Type TAW	Category	Price	Freight charges	Price including freight charges
TAW 1, painted	B	2365,-	on request	on request
TAW 2, painted	B	3086,-	on request	on request
TAW 3, painted	B	4447,-	on request	on request

Stainless Steel Sump Tray Type VAW	Category	Price	Freight charges	Price including freight charges
VAW-1, stainless steel 1.4571	B	956,-	117,-	1073,-
Grid, stainless steel 1.4571	B	477,-	14,-	491,-
Grid, hot-dip galvanized	B	68,-	14,-	82,-

Prices in EUR, valid EXW DE-46354 Südlohn, DE-38820 Halberstadt, unpacked
Freight charges valid CPT Italy, islands and oversea territories excluded

Price List 0424 en-IT

Environment / Storage



Stainless Steel Sump Tray Type VAW	Category	Price	Freight charges	Price including freight charges
VAW-2, stainless steel 1.4571	B	1042,-	117,-	1159,-
Grid, stainless steel 1.4571	B	706,-	16,-	722,-
Grid, hot-dip galvanized	B	91,-	38,-	129,-
VAW-4/A, stainless steel 1.4571	B	1194,-	117,-	1311,-
Grid, stainless steel 1.4571	B	1025,-	22,-	1047,-
Grid, hot-dip galvanized	B	119,-	22,-	141,-
VAW-4/B, stainless steel 1.4571	B	1459,-	117,-	1576,-
Grid, stainless steel 1.4571	B	1411,-	27,-	1438,-
Grid, hot-dip galvanized	B	163,-	27,-	190,-
VAW 1000, stainless steel 1.4571	B	2633,-	186,-	2819,-
Grid, stainless steel 1.4571	B	1143,-	28,-	1171,-
Grid, hot-dip galvanized	B	138,-	28,-	166,-
VAW 1000-2, stainless steel 1.4571	B	3216,-	236,-	3452,-
Grid, stainless steel 1.4571	B	2070,-	117,-	2187,-
Grid, hot-dip galvanized	B	224,-	117,-	341,-

Heating Chamber Type WK	Category	Price	Freight charges	Price including freight charges
WK 29-2 E65, painted	C	29650,-	on request	on request
WK 29-2 E85, painted	C	29815,-	on request	on request
WK 57-2 E65, painted	C	41623,-	on request	on request
WK 57-2 E85, painted	C	44000,-	on request	on request

Sump Tray Type WM	Category	Price	Freight charges	Price including freight charges
WM-2/200, hot-dip galvanized	B	280,-	117,-	397,-
Drum Support FA 60-1, hot-dip galvanized	B	105,-	15,-	120,-
Drum Support FA 60-2, hot-dip galvanized	B	114,-	18,-	132,-
Drum Support FA 60-3, hot-dip galvanized	B	133,-	21,-	154,-
Drum Support FA 200-1, hot-dip galvanized	B	114,-	15,-	129,-
Can Shelf Type GR-A, galvanized	B	133,-	50,-	183,-
Can Shelf Type GR-B, galvanized	B	133,-	50,-	183,-
Can Shelf Type GR-C, galvanized	B	133,-	50,-	183,-
WM-4/200, hot-dip galvanized	B	318,-	117,-	435,-
Drum Support FA 60-1, hot-dip galvanized	B	105,-	15,-	120,-
Drum Support FA 60-2, hot-dip galvanized	B	114,-	18,-	132,-
Drum Support FA 60-3, hot-dip galvanized	B	133,-	21,-	154,-
Drum Support FA 200-1, hot-dip galvanized	B	114,-	15,-	129,-
Drum Support FA 200-2, hot-dip galvanized	B	133,-	22,-	155,-
Can Shelf Type GR-A, galvanized	B	133,-	50,-	183,-
Can Shelf Type GR-B, galvanized	B	133,-	50,-	183,-
Can Shelf Type GR-C, galvanized	B	133,-	50,-	183,-
WM-4/400, hot-dip galvanized	B	382,-	186,-	568,-

Sump Tray Type WO	Category	Price	Freight charges	Price including freight charges
WO-2/200, hot-dip galvanized	B	213,-	117,-	330,-
WO-4/200, hot-dip galvanized	B	231,-	117,-	348,-

Prices in EUR, valid EXW DE-46354 Südlohn, DE-38820 Halberstadt, unpacked
Freight charges valid CPT Italy, islands and oversea territories excluded

Price List 0424 en-IT

Environment / Storage



Sump Tray Type WO	Category	Price	Freight charges	Price including freight charges
WO-4/400, hot-dip galvanized	B	298,-	117,-	415,-
Polyethylene Sump Pallet Type WP	Category	Price	Freight charges	Price including freight charges
WP 1/11, made of robust polyethylene	B	1052,-	117,-	1169,-
WP 2/11, made of robust polyethylene	B	1330,-	117,-	1447,-
Dispensing Tray VB 2, robust polyethylene, blue	B	152,-	50,-	202,-
Polyethylene Sump Pallet Type WPA-PE	Category	Price	Freight charges	Price including freight charges
WPA-PE 2/2, made of robust polyethylene	B	313,-	117,-	430,-
WPA-PE 4/2, made of robust polyethylene	B	494,-	117,-	611,-
Polyethylene Sump Pallet Type WP-PE	Category	Price	Freight charges	Price including freight charges
WP-PE 1/11, made of robust polyethylene	B	1139,-	117,-	1256,-
Dispensing Tray VB 1, robust polyethylene, blue	B	163,-	50,-	213,-
WP-PE 2/11, made of robust polyethylene	B	1507,-	236,-	1743,-
Dispensing Tray VB 2, robust polyethylene, blue	B	152,-	50,-	202,-
WP-PE 2/2, made of robust polyethylene	B	290,-	117,-	407,-
WP-PE 4/2, made of robust polyethylene	B	453,-	117,-	570,-
WP-PE 4/4, made of robust polyethylene	B	470,-	117,-	587,-
WP-PE 8/11, made of robust polyethylene	B	1507,-	236,-	1743,-
Mobile Polyethylene Sump Tray Type WPT	Category	Price	Freight charges	Price including freight charges
WPT 230, made of robust polyethylene	B	519,-	117,-	636,-

Prices in EUR, valid EXW DE-46354 Südlohn, DE-38820 Halberstadt, unpacked
Freight charges valid CPT Italy, islands and oversea territories excluded

Price List 0424 en-IT

Hazardous Materials Containers

Fluorescent Tube Box Type AL-D	Category	Price	Freight charges	Price including freight charges
AL-D 150, aluminium	C	500,-	117,-	617,-
AL-D 200, aluminium	C	551,-	117,-	668,-
Collecting Container Type ASB	Category	Price	Freight charges	Price including freight charges
ASB 250, hot-dip galvanized	C	1969,-	273,-	2242,-
ASB 450-I, hot-dip galvanized	C	2082,-	273,-	2355,-
Special Waste Container Type ASK	Category	Price	Freight charges	Price including freight charges
ASK 540-4, hot-dip galvanized	C	on request	on request	on request
Duo-Container Type DC	Category	Price	Freight charges	Price including freight charges
DC 450, hot-dip galvanized	C	2267,-	on request	on request
Stainless steel strainer	D	113,-	9,-	122,-
Wing nut spanner for M12, hot-dip galvanized	F	33,-	15,-	48,-
DC 1000, hot-dip galvanized	C	2408,-	on request	on request
Stainless steel strainer	D	113,-	9,-	122,-
Wing nut spanner for M12, hot-dip galvanized	F	33,-	15,-	48,-
Lithium-Ion Storage Container Type LIL	Category	Price	Freight charges	Price including freight charges
LIL 30, hot-dip galvanized	B	1871,-	117,-	1988,-
LIL 90, hot-dip galvanized	B	2720,-	186,-	2906,-
Castor Set, polyamide, Load capacity 1050 kg / castor set	A	150,-	15,-	165,-
LIL 220, hot-dip galvanized	B	4699,-	273,-	4972,-
Castor Set, polyamide, Load capacity 1050 kg / castor set	A	150,-	15,-	165,-
LIL 280, hot-dip galvanized	B	5685,-	273,-	5958,-
Castor Set, polyamide, Load capacity 1050 kg / castor set	A	150,-	15,-	165,-
MobiCont Type M 800	Category	Price	Freight charges	Price including freight charges
M 800, painted	C	1342,-	273,-	1615,-
Level Indicator	C	212,-	9,-	221,-
Funnel for filling, PP	D	65,-	9,-	74,-
Filling/Extraction lid	C	65,-	9,-	74,-
Lid, galvanized, without a lock	C	188,-	15,-	203,-
Lid, galvanized, with square lock	C	233,-	18,-	251,-
Lid, galvanized, with cylinder lock	C	233,-	18,-	251,-
Castor Set, polyamide, Load capacity 1350 kg / castor set	A	185,-	15,-	200,-
Hand Pump K 10 C, connects to drum thread, suitable for fuels and heating fuel	C	91,-	14,-	105,-
Hose Kit (1.5 m) for Hand Pump Type K 10 C, suitable for diesel and fuel	C	65,-	14,-	79,-
Hose Kit (3 m) for Hand Pump Type K 10 C, suitable for diesel and fuel	C	92,-	15,-	107,-
Hose Kit (4 m) for Hand Pump Type K 10 C, suitable for diesel and fuel	C	105,-	15,-	120,-
Electric Pump TecPump 400 DC 12V	C	492,-	15,-	507,-

Prices in EUR, valid EXW DE-46354 Südlohn, DE-38820 Halberstadt, unpacked
Freight charges valid CPT Italy, islands and oversea territories excluded

Price List 0424 en-IT

Hazardous Materials Containers



MobiCont Type M 800	Category	Price	Freight charges	Price including freight charges
Electric Pump TecPump 400 DC 24V	C	492,-	15,-	507,-
Electric Pump TecPump 600 AC 230V	C	492,-	15,-	507,-
M 800, hot-dip galvanized	C	1432,-	273,-	1705,-
Level Indicator	C	212,-	9,-	221,-
Funnel for filling, PP	D	65,-	9,-	74,-
Filling/Extraction lid	C	65,-	9,-	74,-
Lid, galvanized, without a lock	C	188,-	15,-	203,-
Lid, galvanized, with square lock	C	233,-	18,-	251,-
Lid, galvanized, with cylinder lock	C	233,-	18,-	251,-
Castor Set, polyamide, Load capacity 1350 kg / castor set	A	185,-	15,-	200,-
Hand Pump K 10 C, connects to drum thread, suitable for fuels and heating fuel	C	91,-	14,-	105,-
Hose Kit (1.5 m) for Hand Pump Type K 10 C, suitable for diesel and fuel	C	65,-	14,-	79,-
Hose Kit (3 m) for Hand Pump Type K 10 C, suitable for diesel and fuel	C	92,-	15,-	107,-
Hose Kit (4 m) for Hand Pump Type K 10 C, suitable for diesel and fuel	C	105,-	15,-	120,-
Electric Pump TecPump 400 DC 12V	C	492,-	15,-	507,-
Electric Pump TecPump 400 DC 24V	C	492,-	15,-	507,-
Electric Pump TecPump 600 AC 230V	C	492,-	15,-	507,-

MobiCont Type MD	Category	Price	Freight charges	Price including freight charges
MD 800, painted	C	1868,-	273,-	2141,-
Level Indicator	C	212,-	9,-	221,-
Hand Pump K 10 C, connects to drum thread, suitable for fuels and heating fuel	C	91,-	14,-	105,-
Hose Kit (1.5 m) for Hand Pump Type K 10 C, suitable for diesel and fuel	C	65,-	14,-	79,-
Hose Kit (3 m) for Hand Pump Type K 10 C, suitable for diesel and fuel	C	92,-	15,-	107,-
Hose Kit (4 m) for Hand Pump Type K 10 C, suitable for diesel and fuel	C	105,-	15,-	120,-
Electric Pump TecPump 400 DC 12V	C	492,-	15,-	507,-
Electric Pump TecPump 400 DC 24V	C	492,-	15,-	507,-
Electric Pump TecPump 600 AC 230V	C	492,-	15,-	507,-
MD 800, hot-dip galvanized	C	1956,-	273,-	2229,-
Level Indicator	C	212,-	9,-	221,-
Hand Pump K 10 C, connects to drum thread, suitable for fuels and heating fuel	C	91,-	14,-	105,-
Hose Kit (1.5 m) for Hand Pump Type K 10 C, suitable for diesel and fuel	C	65,-	14,-	79,-
Hose Kit (3 m) for Hand Pump Type K 10 C, suitable for diesel and fuel	C	92,-	15,-	107,-
Hose Kit (4 m) for Hand Pump Type K 10 C, suitable for diesel and fuel	C	105,-	15,-	120,-
Electric Pump TecPump 400 DC 12V	C	492,-	15,-	507,-
Electric Pump TecPump 400 DC 24V	C	492,-	15,-	507,-
Electric Pump TecPump 600 AC 230V	C	492,-	15,-	507,-

MobiCont Type MO	Category	Price	Freight charges	Price including freight charges
MO 800, painted	C	on request	on request	on request
Level Indicator	C	212,-	9,-	221,-
MO 800, hot-dip galvanized	C	on request	on request	on request
Level Indicator	C	212,-	9,-	221,-

Prices in EUR, valid EXW DE-46354 Südlohn, DE-38820 Halberstadt, unpacked
 Freight charges valid CPT Italy, islands and oversea territories excluded

Price List 0424 en-IT

Hazardous Materials Containers



Fuel Container Type MT	Category	Price	Freight charges	Price including freight charges
MT 450, hot-dip galvanized	C	2147,-	273,-	2420,-
Level Indicator	C	212,-	9,-	221,-
Hand Pump K 10 C, connects to drum thread, suitable for fuels and heating fuel	C	91,-	14,-	105,-
Digital Flow Counter FMT 3 with screwed joints	C	309,-	9,-	318,-
Electric Pump TecPump 400 DC 12V	C	492,-	12,-	504,-
Electric Pump TecPump 400 DC 24V	C	492,-	12,-	504,-
Electric Pump TecPump 600 AC 230V	C	492,-	12,-	504,-
Counter Z 400, Retrofit Kit for Electric Pumps TecPump 400 DC 12V, 400 DC 24V and 600 AC 230V	C	153,-	9,-	162,-
MT 600, hot-dip galvanized	C	2554,-	273,-	2827,-
Level Indicator	C	212,-	9,-	221,-
Hand Pump K 10 C, connects to drum thread, suitable for fuels and heating fuel	C	91,-	14,-	105,-
Digital Flow Counter FMT 3 with screwed joints	C	309,-	9,-	318,-
Electric Pump TecPump 400 DC 12V	C	492,-	12,-	504,-
Electric Pump TecPump 400 DC 24V	C	492,-	12,-	504,-
Electric Pump TecPump 600 AC 230V	C	492,-	12,-	504,-
Counter Z 400, Retrofit Kit for Electric Pumps TecPump 400 DC 12V, 400 DC 24V and 600 AC 230V	C	153,-	9,-	162,-
MT 1000, hot-dip galvanized	C	2761,-	351,-	3112,-
Level Indicator	C	212,-	9,-	221,-
Hand Pump K 10 C, connects to drum thread, suitable for fuels and heating fuel	C	91,-	14,-	105,-
Digital Flow Counter FMT 3 with screwed joints	C	309,-	9,-	318,-
Electric Pump TecPump 400 DC 12V	C	492,-	12,-	504,-
Electric Pump TecPump 400 DC 24V	C	492,-	12,-	504,-
Electric Pump TecPump 600 AC 230V	C	492,-	12,-	504,-
Counter Z 400, Retrofit Kit for Electric Pumps TecPump 400 DC 12V, 400 DC 24V and 600 AC 230V	C	153,-	9,-	162,-
MobiCont Type MW	Category	Price	Freight charges	Price including freight charges
MW 800, painted	C	1722,-	273,-	1995,-
Level Indicator	C	212,-	9,-	221,-
Filling coupling	C	51,-	8,-	59,-
Tank heating, 220 W	C	371,-	12,-	383,-
Tank fitting	B	64,-	9,-	73,-
Anti-siphon valve	D	68,-	8,-	76,-
Aeration/Vent valve	C	26,-	8,-	34,-
MW 800, hot-dip galvanized	C	1813,-	273,-	2086,-
Level Indicator	C	212,-	9,-	221,-
Filling coupling	C	51,-	8,-	59,-
Tank heating, 220 W	C	371,-	12,-	383,-
Tank fitting	B	64,-	9,-	73,-
Anti-siphon valve	D	68,-	8,-	76,-
Aeration/Vent valve	C	26,-	8,-	34,-
Special Waste Container Type SAF	Category	Price	Freight charges	Price including freight charges
SAF 450, hot-dip galvanized	C	on request	on request	on request
SAF 600, hot-dip galvanized	C	on request	on request	on request
SAF 1000, hot-dip galvanized	C	on request	on request	on request

Prices in EUR, valid EXW DE-46354 Südlohn, DE-38820 Halberstadt, unpacked
Freight charges valid CPT Italy, islands and oversea territories excluded

Price List 0424 en-IT

Hazardous Materials Containers



Large Salvage Packaging Type SAG	Category	Price	Freight charges	Price including freight charges
SAG 800, hot-dip galvanized	C	1102,-	273,-	1375,-
SAG 1500, hot-dip galvanized	C	2078,-	on request	on request
Polyethylene sacks, 25 pieces on roll	C	180,-	39,-	219,-
SAG 2100, hot-dip galvanized	C	2180,-	on request	on request
Polyethylene sacks, 25 pieces on roll	C	180,-	39,-	219,-
SAG 2700, hot-dip galvanized	C	2252,-	on request	on request
Polyethylene sacks, 25 pieces on roll	C	180,-	39,-	219,-

Special Waste Container Type SAP	Category	Price	Freight charges	Price including freight charges
SAP 450, hot-dip galvanized	C	on request	on request	on request
Polyethylene sacks, 50 pieces on roll - 0,085 mm	C	134,-	59,-	193,-
SAP 600, hot-dip galvanized	C	on request	on request	on request
Polyethylene sacks, 50 pieces on roll - 0,085 mm	C	134,-	59,-	193,-
SAP 800, hot-dip galvanized	C	on request	on request	on request
Polyethylene sacks, 50 pieces on roll - 0,085 mm	C	134,-	59,-	193,-

Special Waste Container Type SAP-1	Category	Price	Freight charges	Price including freight charges
SAP 450-1, hot-dip galvanized	C	on request	on request	on request
Polyethylene sacks, 50 pieces on roll - 0,085 mm	C	134,-	59,-	193,-
SAP 600-1, hot-dip galvanized	C	on request	on request	on request
Polyethylene sacks, 50 pieces on roll - 0,085 mm	C	134,-	59,-	193,-
SAP 800-1, hot-dip galvanized	C	on request	on request	on request
Polyethylene sacks, 50 pieces on roll - 0,085 mm	C	134,-	59,-	193,-
SAP 800-3, hot-dip galvanized	C	on request	on request	on request
Polyethylene sacks, 50 pieces on roll - 0,085 mm	C	134,-	59,-	193,-

Used Battery Container Type SAP 600 K	Category	Price	Freight charges	Price including freight charges
SAP 600 K, hot-dip galvanized	C	on request	on request	on request

Used Battery Container Type SAP 601 K	Category	Price	Freight charges	Price including freight charges
SAP 601 K, hot-dip galvanized	C	on request	on request	on request

Special Waste Container Type SAS	Category	Price	Freight charges	Price including freight charges
SAS 800, hot-dip galvanized	C	on request	on request	on request

Hazardous Materials Container Type SF	Category	Price	Freight charges	Price including freight charges
SF 240, hot-dip galvanized	C	on request	on request	on request

Fluorescent Tube Box Type SL	Category	Price	Freight charges	Price including freight charges
SL 150, painted	C	664,-	186,-	850,-
SL 150, hot-dip galvanized	C	794,-	186,-	980,-
SL 200, painted	C	740,-	186,-	926,-
SL 200, hot-dip galvanized	C	871,-	273,-	1144,-

Prices in EUR, valid EXW DE-46354 Südlohn, DE-38820 Halberstadt, unpacked
Freight charges valid CPT Italy, islands and oversea territories excluded

Price List 0424 en-IT

Hazardous Materials Containers



Fluorescent Tube Box Type SL-D	Category	Price	Freight charges	Price including freight charges
SL-D 150, painted	C	731,-	186,-	917,-
Removable Tray, galvanized	C	84,-	10,-	94,-
SL-D 150, hot-dip galvanized	C	850,-	186,-	1036,-
Removable Tray, galvanized	C	84,-	10,-	94,-
SL-D 200, painted	C	808,-	186,-	994,-
Removable Tray, galvanized	C	84,-	10,-	94,-
SL-D 200, hot-dip galvanized	C	940,-	186,-	1126,-
Removable Tray, galvanized	C	84,-	10,-	94,-
Fluorescent Tube Box Type SL-N	Category	Price	Freight charges	Price including freight charges
SL-N 220, painted	C	831,-	186,-	1017,-
SL-N 220, hot-dip galvanized	C	969,-	186,-	1155,-
Special Waste Container Type SP	Category	Price	Freight charges	Price including freight charges
SP 100, hot-dip galvanized	C	on request	on request	on request
SP 240, hot-dip galvanized	C	on request	on request	on request
Transport Box for Aerosol Cans Type STB	Category	Price	Freight charges	Price including freight charges
STB 1000, hot-dip galvanized	C	on request	on request	on request
Polyethylene sacks, 50 pieces on roll	C	185,-	59,-	244,-
Absorbent felt, 100 pieces	C	353,-	50,-	403,-

Prices in EUR, valid EXW DE-46354 Südlohn, DE-38820 Halberstadt, unpacked
Freight charges valid CPT Italy, islands and oversea territories excluded