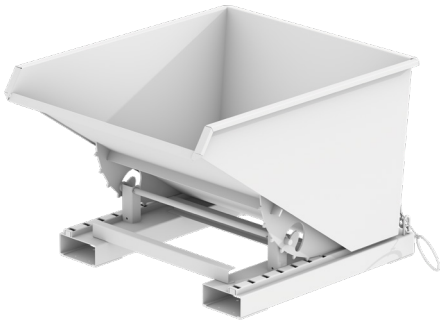


...made by



## PRICE LIST 0424 EN-N0

**FORKLIFT TRUCK ATTACHMENTS**

**WORKSPACE MATERIAL HANDLING**

**ENVIRONMENT / STORAGE**

**HAZARDOUS MATERIALS CONTAINERS**

**INNOVATION – CONSTRUCTION – PRODUCTION**

*... for more than 55 years*

## Price List 0424 en-NO Forklift Truck Attachments

<b>Drum Gripper Type 3P</b>	<b>Category</b>	<b>Price</b>	<b>Freight charges</b>	<b>Price including freight charges</b>
<b>3P, painted</b>	B	910,-	173,-	1083,-
<b>3P, hot-dip galvanized</b>	B	956,-	173,-	1129,-

<b>Tilting Container Type 3S</b>	<b>Category</b>	<b>Price</b>	<b>Freight charges</b>	<b>Price including freight charges</b>
<b>3S 300, painted</b>	A	1201,-	254,-	1455,-
Lid, galvanized	A	168,-	18,-	186,-
Castor Set, polyamide, Load capacity 1050 kg / castor set	A	131,-	15,-	146,-
<b>3S 300, hot-dip galvanized</b>	A	1296,-	381,-	1677,-
Lid, galvanized	A	168,-	18,-	186,-
Castor Set, polyamide, Load capacity 1050 kg / castor set	A	131,-	15,-	146,-
<b>3S 600, painted</b>	A	1256,-	381,-	1637,-
Lid, galvanized	A	189,-	22,-	211,-
Castor Set, polyamide, Load capacity 1050 kg / castor set	A	131,-	15,-	146,-
<b>3S 600, hot-dip galvanized</b>	A	1354,-	381,-	1735,-
Lid, galvanized	A	189,-	22,-	211,-
Castor Set, polyamide, Load capacity 1050 kg / castor set	A	131,-	15,-	146,-

<b>Automatic Tilting Container Type 4A</b>	<b>Category</b>	<b>Price</b>	<b>Freight charges</b>	<b>Price including freight charges</b>
<b>4A 600, painted</b>	A	1065,-	254,-	1319,-
Lid, galvanized	A	189,-	22,-	211,-
Skip Body Welded Oil and Watertight	A	75,-	0,-	75,-
<b>4A 600, hot-dip galvanized</b>	A	1207,-	254,-	1461,-
Lid, galvanized	A	189,-	22,-	211,-
Skip Body Welded Oil and Watertight	A	75,-	0,-	75,-
<b>4A 900, painted</b>	A	1197,-	381,-	1578,-
Lid, galvanized	A	215,-	27,-	242,-
Skip Body Welded Oil and Watertight	A	75,-	0,-	75,-
<b>4A 900, hot-dip galvanized</b>	A	1375,-	381,-	1756,-
Lid, galvanized	A	215,-	27,-	242,-
Skip Body Welded Oil and Watertight	A	75,-	0,-	75,-
<b>4A 1200, painted</b>	A	1282,-	381,-	1663,-
Lid, galvanized	A	215,-	26,-	241,-
Skip Body Welded Oil and Watertight	A	116,-	0,-	116,-
<b>4A 1200, hot-dip galvanized</b>	A	1505,-	381,-	1886,-
Lid, galvanized	A	215,-	26,-	241,-
Skip Body Welded Oil and Watertight	A	116,-	0,-	116,-

<b>Drum Gripper Type 4P</b>	<b>Category</b>	<b>Price</b>	<b>Freight charges</b>	<b>Price including freight charges</b>
<b>4P, painted</b>	B	558,-	70,-	628,-
<b>4P, hot-dip galvanized</b>	B	532,-	70,-	602,-

Prices in EUR, valid EXW DE-46354 Südlohn, DE-38820 Halberstadt, unpacked  
Freight charges valid CPT Norway, islands and oversea territories excluded

# Price List 0424 en-NO

## Forklift Truck Attachments



Drum Gripper Type 4P-D	Category	Price	Freight charges	Price including freight charges
4P-D120, painted	B	558,-	70,-	628,-
4P-D120, hot-dip galvanized	B	532,-	70,-	602,-
4P-D220, painted	B	558,-	70,-	628,-
4P-D220, hot-dip galvanized	B	532,-	70,-	602,-

Tilting Container Type AK	Category	Price	Freight charges	Price including freight charges
<b>AK 50, painted</b>	A	774,-	254,-	1028,-
Lid, galvanized	A	135,-	16,-	151,-
Castor Set, polyamide, Load capacity 1050 kg / castor set	A	131,-	15,-	146,-
Skip Body Welded Oil and Watertight	A	75,-	0,-	75,-
<b>AK 50, hot-dip galvanized</b>	A	923,-	254,-	1177,-
Lid, galvanized	A	135,-	16,-	151,-
Castor Set, polyamide, Load capacity 1050 kg / castor set	A	131,-	15,-	146,-
Skip Body Welded Oil and Watertight	A	75,-	0,-	75,-
<b>AK 75, painted</b>	A	866,-	254,-	1120,-
Lid, galvanized	A	185,-	21,-	206,-
Castor Set, polyamide, Load capacity 1050 kg / castor set	A	131,-	15,-	146,-
Skip Body Welded Oil and Watertight	A	75,-	0,-	75,-
<b>AK 75, hot-dip galvanized</b>	A	1012,-	381,-	1393,-
Lid, galvanized	A	185,-	21,-	206,-
Castor Set, polyamide, Load capacity 1050 kg / castor set	A	131,-	15,-	146,-
Skip Body Welded Oil and Watertight	A	75,-	0,-	75,-
<b>AK 100, painted</b>	A	937,-	381,-	1318,-
Lid, galvanized	A	210,-	26,-	236,-
Castor Set, polyamide, Load capacity 1050 kg / castor set	A	131,-	15,-	146,-
Skip Body Welded Oil and Watertight	A	116,-	0,-	116,-
<b>AK 100, hot-dip galvanized</b>	A	1094,-	381,-	1475,-
Lid, galvanized	A	210,-	26,-	236,-
Castor Set, polyamide, Load capacity 1050 kg / castor set	A	131,-	15,-	146,-
Skip Body Welded Oil and Watertight	A	116,-	0,-	116,-
<b>AK 150, painted</b>	A	1196,-	381,-	1577,-
Lid, galvanized	A	294,-	28,-	322,-
Castor Set, polyamide, Load capacity 1050 kg / castor set	A	131,-	15,-	146,-
Skip Body Welded Oil and Watertight	A	116,-	0,-	116,-
<b>AK 150, hot-dip galvanized</b>	A	1399,-	381,-	1780,-
Lid, galvanized	A	294,-	28,-	322,-
Castor Set, polyamide, Load capacity 1050 kg / castor set	A	131,-	15,-	146,-
Skip Body Welded Oil and Watertight	A	116,-	0,-	116,-

Container for Building Materials Type BBG	Category	Price	Freight charges	Price including freight charges
<b>BBG 100, painted</b>	A	391,-	254,-	645,-
Lid, galvanized	A	182,-	173,-	355,-
<b>BBG 100, hot-dip galvanized</b>	A	479,-	254,-	733,-
Lid, galvanized	A	182,-	173,-	355,-

Prices in EUR, valid EXW DE-46354 Südlohn, DE-38820 Halberstadt, unpacked  
 Freight charges valid CPT Norway, islands and oversea territories excluded

# Price List 0424 en-NO

## Forklift Truck Attachments



Container for Building Materials Type BBK	Category	Price	Freight charges	Price including freight charges
<b>BBK 100, painted</b>	A	479,-	254,-	733,-
Lid, galvanized	A	182,-	173,-	355,-
<b>BBK 100, hot-dip galvanized</b>	A	551,-	254,-	805,-
Lid, galvanized	A	182,-	173,-	355,-
Material Container Type BBM	Category	Price	Freight charges	Price including freight charges
<b>BBM 500, painted</b>	A	314,-	173,-	487,-
<b>BBM 500, hot-dip galvanized</b>	A	346,-	173,-	519,-
Container for Building Materials Type BBP	Category	Price	Freight charges	Price including freight charges
<b>BBP 100, painted</b>	A	418,-	173,-	591,-
Lid, galvanized	A	182,-	173,-	355,-
Pick-up cones (pins) and angle iron traverse lock	A	49,-	10,-	59,-
<b>BBP 100, hot-dip galvanized</b>	A	493,-	173,-	666,-
Lid, galvanized	A	182,-	173,-	355,-
Pick-up cones (pins) and angle iron traverse lock	A	49,-	10,-	59,-
Tilting Traverse for Containers for Building Material Containers Type BBT	Category	Price	Freight charges	Price including freight charges
<b>BBT, painted</b>	A	551,-	254,-	805,-
<b>BBT, hot-dip galvanized</b>	A	627,-	254,-	881,-
Building Materials Container Type BC	Category	Price	Freight charges	Price including freight charges
<b>BC 500, painted</b>	B	924,-	254,-	1178,-
Lid, galvanized	B	138,-	16,-	154,-
Castor Set, polyamide, Load capacity 1350 kg / castor set	A	185,-	15,-	200,-
<b>BC 500, hot-dip galvanized</b>	B	1139,-	381,-	1520,-
Lid, galvanized	B	138,-	16,-	154,-
Castor Set, polyamide, Load capacity 1350 kg / castor set	A	185,-	15,-	200,-
<b>BC 500 (brick clamp operated), painted</b>	B	991,-	254,-	1245,-
Lid, galvanized	B	138,-	16,-	154,-
Castor Set, polyamide, Load capacity 1350 kg / castor set	A	185,-	15,-	200,-
<b>BC 500 (brick clamp operated), hot-dip galvanized</b>	B	1207,-	381,-	1588,-
Lid, galvanized	B	138,-	16,-	154,-
Castor Set, polyamide, Load capacity 1350 kg / castor set	A	185,-	15,-	200,-
<b>BC 1000, painted</b>	B	1007,-	381,-	1388,-
Lid, galvanized	B	138,-	16,-	154,-
Castor Set, polyamide, Load capacity 1350 kg / castor set	A	185,-	15,-	200,-
<b>BC 1000, hot-dip galvanized</b>	B	1271,-	381,-	1652,-
Lid, galvanized	B	138,-	16,-	154,-
Castor Set, polyamide, Load capacity 1350 kg / castor set	A	185,-	15,-	200,-
<b>BC 1000 (brick clamp operated), painted</b>	B	1073,-	381,-	1454,-
Lid, galvanized	B	138,-	16,-	154,-
Castor Set, polyamide, Load capacity 1350 kg / castor set	A	185,-	15,-	200,-
<b>BC 1000 (brick clamp operated), hot-dip galvanized</b>	B	1339,-	381,-	1720,-
Lid, galvanized	B	138,-	16,-	154,-

Prices in EUR, valid EXW DE-46354 Südlohn, DE-38820 Halberstadt, unpacked  
Freight charges valid CPT Norway, islands and oversea territories excluded

# Price List 0424 en-NO

## Forklift Truck Attachments



Building Materials Container Type BC	Category	Price	Freight charges	Price including freight charges
Castor Set, polyamide, Load capacity 1350 kg / castor set	A	185,-	15,-	200,-
Tilting Container Type BK	Category	Price	Freight charges	Price including freight charges
<b>BK 30, painted</b>	A	676,-	254,-	930,-
Lid, galvanized	A	94,-	18,-	112,-
Castor Set, polyamide, Load capacity 1350 kg / castor set	A	185,-	15,-	200,-
Castor Set, polyamide, Load capacity 2550 kg / castor set	A	366,-	15,-	381,-
Skip Body Welded Oil and Watertight	A	75,-	0,-	75,-
<b>BK 30, hot-dip galvanized</b>	A	950,-	254,-	1204,-
Lid, galvanized	A	94,-	18,-	112,-
Castor Set, polyamide, Load capacity 1350 kg / castor set	A	185,-	15,-	200,-
Castor Set, polyamide, Load capacity 2550 kg / castor set	A	366,-	15,-	381,-
Skip Body Welded Oil and Watertight	A	75,-	0,-	75,-
<b>BK 50, painted</b>	A	950,-	254,-	1204,-
Lid, galvanized	A	94,-	20,-	114,-
Castor Set, polyamide, Load capacity 1350 kg / castor set	A	185,-	15,-	200,-
Castor Set, polyamide, Load capacity 2550 kg / castor set	A	366,-	15,-	381,-
Skip Body Welded Oil and Watertight	A	75,-	0,-	75,-
<b>BK 50, hot-dip galvanized</b>	A	1282,-	381,-	1663,-
Lid, galvanized	A	94,-	20,-	114,-
Castor Set, polyamide, Load capacity 1350 kg / castor set	A	185,-	15,-	200,-
Castor Set, polyamide, Load capacity 2550 kg / castor set	A	366,-	15,-	381,-
Skip Body Welded Oil and Watertight	A	75,-	0,-	75,-
<b>BK 80, painted</b>	A	1253,-	381,-	1634,-
Lid, galvanized	A	139,-	22,-	161,-
Castor Set, polyamide, Load capacity 1350 kg / castor set	A	185,-	15,-	200,-
Castor Set, polyamide, Load capacity 2550 kg / castor set	A	366,-	15,-	381,-
Skip Body Welded Oil and Watertight	A	75,-	0,-	75,-
<b>BK 80, hot-dip galvanized</b>	A	1752,-	381,-	2133,-
Lid, galvanized	A	139,-	22,-	161,-
Castor Set, polyamide, Load capacity 1350 kg / castor set	A	185,-	15,-	200,-
Castor Set, polyamide, Load capacity 2550 kg / castor set	A	366,-	15,-	381,-
Skip Body Welded Oil and Watertight	A	75,-	0,-	75,-
<b>BK 100, painted</b>	A	1457,-	381,-	1838,-
Lid, galvanized	A	167,-	27,-	194,-
Castor Set, polyamide, Load capacity 1350 kg / castor set	A	185,-	15,-	200,-
Castor Set, polyamide, Load capacity 2550 kg / castor set	A	366,-	15,-	381,-
Skip Body Welded Oil and Watertight	A	116,-	0,-	116,-
<b>BK 100, hot-dip galvanized</b>	A	2000,-	381,-	2381,-
Lid, galvanized	A	167,-	27,-	194,-
Castor Set, polyamide, Load capacity 1350 kg / castor set	A	185,-	15,-	200,-
Castor Set, polyamide, Load capacity 2550 kg / castor set	A	366,-	15,-	381,-
Skip Body Welded Oil and Watertight	A	116,-	0,-	116,-
<b>BK 120, painted</b>	A	1584,-	381,-	1965,-
Lid, galvanized	A	177,-	32,-	209,-
Castor Set, polyamide, Load capacity 1350 kg / castor set	A	185,-	15,-	200,-

Prices in EUR, valid EXW DE-46354 Südlohn, DE-38820 Halberstadt, unpacked  
Freight charges valid CPT Norway, islands and oversea territories excluded

# Price List 0424 en-NO

## Forklift Truck Attachments



Tilting Container Type BK	Category	Price	Freight charges	Price including freight charges
Castor Set, polyamide, Load capacity 2550 kg / castor set	A	366,-	15,-	381,-
Skip Body Welded Oil and Watertight	A	116,-	0,-	116,-
<b>BK 120, hot-dip galvanized</b>	A	2159,-	381,-	2540,-
Lid, galvanized	A	177,-	32,-	209,-
Castor Set, polyamide, Load capacity 1350 kg / castor set	A	185,-	15,-	200,-
Castor Set, polyamide, Load capacity 2550 kg / castor set	A	366,-	15,-	381,-
Skip Body Welded Oil and Watertight	A	116,-	0,-	116,-
<b>BK 150, painted</b>	A	1740,-	480,-	2220,-
Lid, galvanized	A	203,-	39,-	242,-
Castor Set, polyamide, Load capacity 1350 kg / castor set	A	185,-	15,-	200,-
Castor Set, polyamide, Load capacity 2550 kg / castor set	A	366,-	15,-	381,-
Skip Body Welded Oil and Watertight	A	116,-	0,-	116,-
<b>BK 150, hot-dip galvanized</b>	A	2361,-	480,-	2841,-
Lid, galvanized	A	203,-	39,-	242,-
Castor Set, polyamide, Load capacity 1350 kg / castor set	A	185,-	15,-	200,-
Castor Set, polyamide, Load capacity 2550 kg / castor set	A	366,-	15,-	381,-
Skip Body Welded Oil and Watertight	A	116,-	0,-	116,-
<b>BK 200, painted</b>	A	2164,-	480,-	2644,-
Lid, galvanized	A	215,-	173,-	388,-
Castor Set, polyamide, Load capacity 1350 kg / castor set	A	185,-	15,-	200,-
Castor Set, polyamide, Load capacity 2550 kg / castor set	A	366,-	15,-	381,-
Skip Body Welded Oil and Watertight	A	116,-	0,-	116,-
<b>BK 200, hot-dip galvanized</b>	A	2948,-	650,-	3598,-
Lid, galvanized	A	215,-	173,-	388,-
Castor Set, polyamide, Load capacity 1350 kg / castor set	A	185,-	15,-	200,-
Castor Set, polyamide, Load capacity 2550 kg / castor set	A	366,-	15,-	381,-
Skip Body Welded Oil and Watertight	A	116,-	0,-	116,-
Container With Drop Away Base Type BKB	Category	Price	Freight charges	Price including freight charges
<b>BKB 500, painted</b>	A	737,-	254,-	991,-
Lid, galvanized	A	189,-	18,-	207,-
Castor Set, polyamide, Load capacity 1350 kg / castor set	A	185,-	15,-	200,-
<b>BKB 500, hot-dip galvanized</b>	A	876,-	254,-	1130,-
Lid, galvanized	A	189,-	18,-	207,-
Castor Set, polyamide, Load capacity 1350 kg / castor set	A	185,-	15,-	200,-
<b>BKB 700, painted</b>	A	788,-	254,-	1042,-
Lid, galvanized	A	189,-	18,-	207,-
Castor Set, polyamide, Load capacity 1350 kg / castor set	A	185,-	15,-	200,-
<b>BKB 700, hot-dip galvanized</b>	A	927,-	254,-	1181,-
Lid, galvanized	A	189,-	18,-	207,-
Castor Set, polyamide, Load capacity 1350 kg / castor set	A	185,-	15,-	200,-
<b>BKB 1000, painted</b>	A	835,-	254,-	1089,-
Lid, galvanized	A	189,-	18,-	207,-
Castor Set, polyamide, Load capacity 1350 kg / castor set	A	185,-	15,-	200,-
<b>BKB 1000, hot-dip galvanized</b>	A	994,-	254,-	1248,-
Lid, galvanized	A	189,-	18,-	207,-

Prices in EUR, valid EXW DE-46354 Südlohn, DE-38820 Halberstadt, unpacked  
Freight charges valid CPT Norway, islands and oversea territories excluded

# Price List 0424 en-NO

## Forklift Truck Attachments



Container With Drop Away Base Type BKB	Category	Price	Freight charges	Price including freight charges
Castor Set, polyamide, Load capacity 1350 kg / castor set	A	185,-	15,-	200,-

Tilting Container Type BKC	Category	Price	Freight charges	Price including freight charges
<b>BKC 200, painted</b>	A	2229,-	650,-	2879,-
Lid, galvanized	A	434,-	173,-	607,-
Skip Body Welded Oil and Watertight	A	116,-	0,-	116,-
<b>BKC 200, hot-dip galvanized</b>	A	2984,-	650,-	3634,-
Lid, galvanized	A	434,-	173,-	607,-
Skip Body Welded Oil and Watertight	A	116,-	0,-	116,-
<b>BKC 300, painted</b>	A	2471,-	650,-	3121,-
Lid, galvanized	A	434,-	173,-	607,-
Skip Body Welded Oil and Watertight	A	116,-	0,-	116,-
<b>BKC 300, hot-dip galvanized</b>	A	3253,-	650,-	3903,-
Lid, galvanized	A	434,-	173,-	607,-
Skip Body Welded Oil and Watertight	A	116,-	0,-	116,-
<b>BKC 400, painted</b>	A	3043,-	650,-	3693,-
Lid, galvanized	A	434,-	254,-	688,-
Skip Body Welded Oil and Watertight	A	116,-	0,-	116,-
<b>BKC 400, hot-dip galvanized</b>	A	3929,-	851,-	4780,-
Lid, galvanized	A	434,-	254,-	688,-
Skip Body Welded Oil and Watertight	A	116,-	0,-	116,-
<b>BKC 500, painted</b>	A	3535,-	851,-	4386,-
Lid, galvanized	A	434,-	254,-	688,-
Skip Body Welded Oil and Watertight	A	116,-	0,-	116,-
<b>BKC 500, hot-dip galvanized</b>	A	4484,-	851,-	5335,-
Lid, galvanized	A	434,-	254,-	688,-
Skip Body Welded Oil and Watertight	A	116,-	0,-	116,-

Tilting Container Type BKC-H	Category	Price	Freight charges	Price including freight charges
<b>BKC-H 200, painted</b>	A	3306,-	650,-	3956,-
Skip Body Welded Oil and Watertight	A	116,-	0,-	116,-
Lid, galvanized	A	434,-	173,-	607,-
<b>BKC-H 200, hot-dip galvanized</b>	A	4061,-	650,-	4711,-
Lid, galvanized	A	434,-	173,-	607,-
Skip Body Welded Oil and Watertight	A	116,-	0,-	116,-
<b>BKC-H 300, painted</b>	A	3548,-	650,-	4198,-
Skip Body Welded Oil and Watertight	A	116,-	0,-	116,-
Lid, galvanized	A	434,-	173,-	607,-
<b>BKC-H 300, hot-dip galvanized</b>	A	4331,-	650,-	4981,-
Lid, galvanized	A	434,-	173,-	607,-
Skip Body Welded Oil and Watertight	A	116,-	0,-	116,-
<b>BKC-H 400, painted</b>	A	4120,-	650,-	4770,-
Lid, galvanized	A	434,-	254,-	688,-
Skip Body Welded Oil and Watertight	A	116,-	0,-	116,-
<b>BKC-H 400, hot-dip galvanized</b>	A	5006,-	851,-	5857,-

Prices in EUR, valid EXW DE-46354 Südlohn, DE-38820 Halberstadt, unpacked  
 Freight charges valid CPT Norway, islands and oversea territories excluded

# Price List 0424 en-NO

## Forklift Truck Attachments



Tilting Container Type BKC-H	Category	Price	Freight charges	Price including freight charges
Lid, galvanized	A	434,-	254,-	688,-
Skip Body Welded Oil and Watertight	A	116,-	0,-	116,-
<b>BKC-H 500, painted</b>	A	4612,-	851,-	5463,-
Lid, galvanized	A	434,-	254,-	688,-
Skip Body Welded Oil and Watertight	A	116,-	0,-	116,-
<b>BKC-H 500, hot-dip galvanized</b>	A	5561,-	851,-	6412,-
Skip Body Welded Oil and Watertight	A	116,-	0,-	116,-
Lid, galvanized	A	434,-	254,-	688,-

Tilting Container Type BKM	Category	Price	Freight charges	Price including freight charges
<b>BKM 30, painted</b>	A	676,-	254,-	930,-
Lid, galvanized	A	100,-	18,-	118,-
Castor Set, polyamide, Load capacity 1350 kg / castor set	A	185,-	15,-	200,-
Castor Set, polyamide, Load capacity 2550 kg / castor set	A	366,-	15,-	381,-
Skip Body Welded Oil and Watertight	A	75,-	0,-	75,-
<b>BKM 30, hot-dip galvanized</b>	A	950,-	254,-	1204,-
Lid, galvanized	A	100,-	18,-	118,-
Castor Set, polyamide, Load capacity 1350 kg / castor set	A	185,-	15,-	200,-
Castor Set, polyamide, Load capacity 2550 kg / castor set	A	366,-	15,-	381,-
Skip Body Welded Oil and Watertight	A	75,-	0,-	75,-
<b>BKM 50, painted</b>	A	950,-	254,-	1204,-
Lid, galvanized	A	125,-	21,-	146,-
Castor Set, polyamide, Load capacity 1350 kg / castor set	A	185,-	15,-	200,-
Castor Set, polyamide, Load capacity 2550 kg / castor set	A	366,-	15,-	381,-
Skip Body Welded Oil and Watertight	A	75,-	0,-	75,-
<b>BKM 50, hot-dip galvanized</b>	A	1282,-	254,-	1536,-
Lid, galvanized	A	125,-	21,-	146,-
Castor Set, polyamide, Load capacity 1350 kg / castor set	A	185,-	15,-	200,-
Castor Set, polyamide, Load capacity 2550 kg / castor set	A	366,-	15,-	381,-
Skip Body Welded Oil and Watertight	A	75,-	0,-	75,-
<b>BKM 75, painted</b>	A	1203,-	381,-	1584,-
Lid, galvanized	A	137,-	22,-	159,-
Castor Set, polyamide, Load capacity 1350 kg / castor set	A	185,-	15,-	200,-
Castor Set, polyamide, Load capacity 2550 kg / castor set	A	366,-	15,-	381,-
Skip Body Welded Oil and Watertight	A	75,-	0,-	75,-
<b>BKM 75, hot-dip galvanized</b>	A	1615,-	381,-	1996,-
Lid, galvanized	A	137,-	22,-	159,-
Castor Set, polyamide, Load capacity 1350 kg / castor set	A	185,-	15,-	200,-
Castor Set, polyamide, Load capacity 2550 kg / castor set	A	366,-	15,-	381,-
Skip Body Welded Oil and Watertight	A	75,-	0,-	75,-
<b>BKM 100, painted</b>	A	1457,-	381,-	1838,-
Lid, galvanized	A	178,-	27,-	205,-
Castor Set, polyamide, Load capacity 1350 kg / castor set	A	185,-	15,-	200,-
Castor Set, polyamide, Load capacity 2550 kg / castor set	A	366,-	15,-	381,-
Skip Body Welded Oil and Watertight	A	116,-	0,-	116,-
<b>BKM 100, hot-dip galvanized</b>	A	2000,-	381,-	2381,-

Prices in EUR, valid EXW DE-46354 Südlohn, DE-38820 Halberstadt, unpacked  
Freight charges valid CPT Norway, islands and oversea territories excluded



# Price List 0424 en-NO

## Forklift Truck Attachments



Tilting Container Type BKM	Category	Price	Freight charges	Price including freight charges
Lid, galvanized	A	178,-	27,-	205,-
Castor Set, polyamide, Load capacity 1350 kg / castor set	A	185,-	15,-	200,-
Castor Set, polyamide, Load capacity 2550 kg / castor set	A	366,-	15,-	381,-
Skip Body Welded Oil and Watertight	A	116,-	0,-	116,-
<b>BKM 150, painted</b>	A	1740,-	480,-	2220,-
Lid, galvanized	A	261,-	36,-	297,-
Castor Set, polyamide, Load capacity 1350 kg / castor set	A	185,-	15,-	200,-
Castor Set, polyamide, Load capacity 2550 kg / castor set	A	366,-	15,-	381,-
Skip Body Welded Oil and Watertight	A	116,-	0,-	116,-
<b>BKM 150, hot-dip galvanized</b>	A	2361,-	480,-	2841,-
Lid, galvanized	A	261,-	36,-	297,-
Castor Set, polyamide, Load capacity 1350 kg / castor set	A	185,-	15,-	200,-
Castor Set, polyamide, Load capacity 2550 kg / castor set	A	366,-	15,-	381,-
Skip Body Welded Oil and Watertight	A	116,-	0,-	116,-
<b>BKM 200, painted</b>	A	2164,-	480,-	2644,-
Lid, galvanized	A	291,-	173,-	464,-
Castor Set, polyamide, Load capacity 1350 kg / castor set	A	185,-	15,-	200,-
Castor Set, polyamide, Load capacity 2550 kg / castor set	A	366,-	15,-	381,-
Skip Body Welded Oil and Watertight	A	116,-	0,-	116,-
<b>BKM 200, hot-dip galvanized</b>	A	2948,-	650,-	3598,-
Lid, galvanized	A	291,-	173,-	464,-
Castor Set, polyamide, Load capacity 1350 kg / castor set	A	185,-	15,-	200,-
Castor Set, polyamide, Load capacity 2550 kg / castor set	A	366,-	15,-	381,-
Skip Body Welded Oil and Watertight	A	116,-	0,-	116,-
Traverse For Stacking Tipper Type BKT	Category	Price	Freight charges	Price including freight charges
<b>BKT 30, painted</b>	A	355,-	254,-	609,-
Traverse Stand Type TS, hot-dip galvanized	A	75,-	8,-	83,-
<b>BKT 55, painted</b>	A	376,-	254,-	630,-
Traverse Stand Type TS, hot-dip galvanized	A	75,-	9,-	84,-
<b>BKT 70, painted</b>	A	376,-	254,-	630,-
Traverse Stand Type TS, hot-dip galvanized	A	75,-	9,-	84,-
<b>BKT 90, painted</b>	A	378,-	254,-	632,-
Traverse Stand Type TS, hot-dip galvanized	A	75,-	9,-	84,-
<b>BKT 150, painted</b>	A	609,-	254,-	863,-
Traverse Stand Type TS, hot-dip galvanized	A	75,-	9,-	84,-
<b>BKT 200, painted</b>	A	672,-	254,-	926,-
Traverse Stand Type TS, hot-dip galvanized	A	75,-	9,-	84,-
Shovel Type BSE	Category	Price	Freight charges	Price including freight charges
<b>BSE 50, painted</b>	A	1435,-	381,-	1816,-
<b>BSE 75, painted</b>	A	1709,-	381,-	2090,-
<b>BSE 100, painted</b>	A	2143,-	480,-	2623,-
<b>BSE 150, painted</b>	A	2422,-	480,-	2902,-
<b>BSE 200, painted</b>	A	2691,-	650,-	3341,-

Prices in EUR, valid EXW DE-46354 Südlohn, DE-38820 Halberstadt, unpacked  
Freight charges valid CPT Norway, islands and oversea territories excluded

# Price List 0424 en-NO

## Forklift Truck Attachments



Shovel Type BSE	Category	Price	Freight charges	Price including freight charges
BSE 250, painted	A	3316,-	700,-	4016,-
Shovel Type BSI	Category	Price	Freight charges	Price including freight charges
BSI 50, painted	A	1214,-	254,-	1468,-
BSI 75, painted	A	1375,-	381,-	1756,-
BSI 100, painted	A	1725,-	381,-	2106,-
Stacking Tipper Type BSK	Category	Price	Freight charges	Price including freight charges
<b>BSK 30, painted</b>	A	256,-	173,-	429,-
Lid, galvanized	A	66,-	12,-	78,-
Castor Set, polyamide, Load capacity 1350 kg / castor set	A	185,-	15,-	200,-
Skip Body Welded Oil and Watertight	A	75,-	0,-	75,-
Set of 5 self-adhesive stickers with symbols for: glass, paper, plastic, metal, residual waste	A	28,-	on request	on request
<b>BSK 30, hot-dip galvanized</b>	A	309,-	173,-	482,-
Lid, galvanized	A	66,-	12,-	78,-
Castor Set, polyamide, Load capacity 1350 kg / castor set	A	185,-	15,-	200,-
Skip Body Welded Oil and Watertight	A	75,-	0,-	75,-
Set of 5 self-adhesive stickers with symbols for: glass, paper, plastic, metal, residual waste	A	28,-	on request	on request
<b>BSK 55, painted</b>	A	320,-	173,-	493,-
Lid, galvanized	A	94,-	15,-	109,-
Castor Set, polyamide, Load capacity 1350 kg / castor set	A	185,-	15,-	200,-
Skip Body Welded Oil and Watertight	A	75,-	0,-	75,-
Set of 5 self-adhesive stickers with symbols for: glass, paper, plastic, metal, residual waste	A	28,-	on request	on request
<b>BSK 55, hot-dip galvanized</b>	A	391,-	173,-	564,-
Lid, galvanized	A	94,-	15,-	109,-
Castor Set, polyamide, Load capacity 1350 kg / castor set	A	185,-	15,-	200,-
Skip Body Welded Oil and Watertight	A	75,-	0,-	75,-
Set of 5 self-adhesive stickers with symbols for: glass, paper, plastic, metal, residual waste	A	28,-	on request	on request
<b>BSK 70, painted</b>	A	340,-	173,-	513,-
Lid, galvanized	A	117,-	15,-	132,-
Castor Set, polyamide, Load capacity 1350 kg / castor set	A	185,-	15,-	200,-
Skip Body Welded Oil and Watertight	A	75,-	0,-	75,-
Set of 5 self-adhesive stickers with symbols for: glass, paper, plastic, metal, residual waste	A	28,-	on request	on request
<b>BSK 70, hot-dip galvanized</b>	A	441,-	173,-	614,-
Lid, galvanized	A	117,-	15,-	132,-
Castor Set, polyamide, Load capacity 1350 kg / castor set	A	185,-	15,-	200,-
Skip Body Welded Oil and Watertight	A	75,-	0,-	75,-
Set of 5 self-adhesive stickers with symbols for: glass, paper, plastic, metal, residual waste	A	28,-	on request	on request
<b>BSK 90, painted</b>	A	366,-	173,-	539,-
Lid, galvanized	A	160,-	18,-	178,-
Castor Set, polyamide, Load capacity 1350 kg / castor set	A	185,-	15,-	200,-
Skip Body Welded Oil and Watertight	A	75,-	0,-	75,-
Set of 5 self-adhesive stickers with symbols for: glass, paper, plastic, metal, residual waste	A	28,-	on request	on request
<b>BSK 90, hot-dip galvanized</b>	A	470,-	254,-	724,-
Lid, galvanized	A	160,-	18,-	178,-

Prices in EUR, valid EXW DE-46354 Südlohn, DE-38820 Halberstadt, unpacked  
Freight charges valid CPT Norway, islands and oversea territories excluded

# Price List 0424 en-NO

## Forklift Truck Attachments



Stacking Tipper Type BSK	Category	Price	Freight charges	Price including freight charges
Castor Set, polyamide, Load capacity 1350 kg / castor set	A	185,-	15,-	200,-
Skip Body Welded Oil and Watertight	A	75,-	0,-	75,-
Set of 5 self-adhesive stickers with symbols for: glass, paper, plastic, metal, residual waste	A	28,-	on request	on request
<b>BSK 150, painted</b>	A	841,-	254,-	1095,-
Lid, galvanized	A	215,-	21,-	236,-
Castor Set, polyamide, Load capacity 1350 kg / castor set	A	185,-	15,-	200,-
Skip Body Welded Oil and Watertight	A	116,-	0,-	116,-
Set of 5 self-adhesive stickers with symbols for: glass, paper, plastic, metal, residual waste	A	28,-	on request	on request
<b>BSK 150, hot-dip galvanized</b>	A	984,-	254,-	1238,-
Lid, galvanized	A	215,-	21,-	236,-
Castor Set, polyamide, Load capacity 1350 kg / castor set	A	185,-	15,-	200,-
Skip Body Welded Oil and Watertight	A	116,-	0,-	116,-
Set of 5 self-adhesive stickers with symbols for: glass, paper, plastic, metal, residual waste	A	28,-	on request	on request
<b>BSK 200, painted</b>	A	902,-	254,-	1156,-
Lid, galvanized	A	274,-	26,-	300,-
Castor Set, polyamide, Load capacity 1350 kg / castor set	A	185,-	15,-	200,-
Skip Body Welded Oil and Watertight	A	116,-	0,-	116,-
Set of 5 self-adhesive stickers with symbols for: glass, paper, plastic, metal, residual waste	A	28,-	on request	on request
<b>BSK 200, hot-dip galvanized</b>	A	1129,-	254,-	1383,-
Lid, galvanized	A	274,-	26,-	300,-
Castor Set, polyamide, Load capacity 1350 kg / castor set	A	185,-	15,-	200,-
Skip Body Welded Oil and Watertight	A	116,-	0,-	116,-
Set of 5 self-adhesive stickers with symbols for: glass, paper, plastic, metal, residual waste	A	28,-	on request	on request
Lattice Tilting Container Type BSK-G	Category	Price	Freight charges	Price including freight charges
<b>BSK-G 90, painted</b>	A	332,-	173,-	505,-
Lid, galvanized	A	160,-	18,-	178,-
Castor Set, polyamide, Load capacity 1350 kg / castor set	A	185,-	15,-	200,-
<b>BSK-G 90, hot-dip galvanized</b>	A	404,-	173,-	577,-
Lid, galvanized	A	160,-	18,-	178,-
Castor Set, polyamide, Load capacity 1350 kg / castor set	A	185,-	15,-	200,-
Swarf Stacking Tipper Type BSL	Category	Price	Freight charges	Price including freight charges
<b>BSL 30, painted</b>	A	570,-	173,-	743,-
Lid, galvanized	A	66,-	12,-	78,-
Castor Set, polyamide, Load capacity 1350 kg / castor set	A	185,-	15,-	200,-
<b>BSL 30, hot-dip galvanized</b>	A	656,-	173,-	829,-
Lid, galvanized	A	66,-	12,-	78,-
Castor Set, polyamide, Load capacity 1350 kg / castor set	A	185,-	15,-	200,-
<b>BSL 55, painted</b>	A	701,-	254,-	955,-
Lid, galvanized	A	94,-	15,-	109,-
Castor Set, polyamide, Load capacity 1350 kg / castor set	A	185,-	15,-	200,-
<b>BSL 55, hot-dip galvanized</b>	A	823,-	254,-	1077,-
Lid, galvanized	A	94,-	15,-	109,-
Castor Set, polyamide, Load capacity 1350 kg / castor set	A	185,-	15,-	200,-

Prices in EUR, valid EXW DE-46354 Südlohn, DE-38820 Halberstadt, unpacked  
Freight charges valid CPT Norway, islands and oversea territories excluded

# Price List 0424 en-NO

## Forklift Truck Attachments



<b>Swarf Stacking Tipper Type BSL</b>	<b>Category</b>	<b>Price</b>	<b>Freight charges</b>	<b>Price including freight charges</b>
<b>BSL 70, painted</b>	A	737,-	254,-	991,-
Lid, galvanized	A	117,-	15,-	132,-
Castor Set, polyamide, Load capacity 1350 kg / castor set	A	185,-	15,-	200,-
<b>BSL 70, hot-dip galvanized</b>	A	881,-	254,-	1135,-
Lid, galvanized	A	117,-	15,-	132,-
Castor Set, polyamide, Load capacity 1350 kg / castor set	A	185,-	15,-	200,-
<b>BSL 90, painted</b>	A	801,-	254,-	1055,-
Lid, galvanized	A	160,-	18,-	178,-
Castor Set, polyamide, Load capacity 1350 kg / castor set	A	185,-	15,-	200,-
<b>BSL 90, hot-dip galvanized</b>	A	970,-	254,-	1224,-
Lid, galvanized	A	160,-	18,-	178,-
Castor Set, polyamide, Load capacity 1350 kg / castor set	A	185,-	15,-	200,-
<b>BSL 150, painted</b>	A	1185,-	254,-	1439,-
Lid, galvanized	A	215,-	21,-	236,-
Castor Set, polyamide, Load capacity 1350 kg / castor set	A	185,-	15,-	200,-
<b>BSL 150, hot-dip galvanized</b>	A	1439,-	381,-	1820,-
Lid, galvanized	A	215,-	21,-	236,-
Castor Set, polyamide, Load capacity 1350 kg / castor set	A	185,-	15,-	200,-
<b>BSL 200, painted</b>	A	1282,-	381,-	1663,-
Lid, galvanized	A	274,-	26,-	300,-
Castor Set, polyamide, Load capacity 1350 kg / castor set	A	185,-	15,-	200,-
<b>BSL 200, hot-dip galvanized</b>	A	1731,-	381,-	2112,-
Lid, galvanized	A	274,-	26,-	300,-
Castor Set, polyamide, Load capacity 1350 kg / castor set	A	185,-	15,-	200,-
<b>Shovel Type BSM</b>	<b>Category</b>	<b>Price</b>	<b>Freight charges</b>	<b>Price including freight charges</b>
<b>BSM 50, painted</b>	A	1435,-	254,-	1689,-
<b>BSM 75, painted</b>	A	1709,-	381,-	2090,-
<b>BSM 100, painted</b>	A	2143,-	480,-	2623,-
<b>BSM 150, painted</b>	A	2422,-	480,-	2902,-
<b>BSM 200, painted</b>	A	2691,-	650,-	3341,-
<b>BSM 250, painted</b>	A	3316,-	700,-	4016,-
<b>Swarf Stacking Tipper Type BSS</b>	<b>Category</b>	<b>Price</b>	<b>Freight charges</b>	<b>Price including freight charges</b>
<b>BSS 30, painted</b>	A	407,-	173,-	580,-
Lid, galvanized	A	66,-	12,-	78,-
Castor Set, polyamide, Load capacity 1350 kg / castor set	A	185,-	15,-	200,-
<b>BSS 30, hot-dip galvanized</b>	A	473,-	173,-	646,-
Lid, galvanized	A	66,-	12,-	78,-
Castor Set, polyamide, Load capacity 1350 kg / castor set	A	185,-	15,-	200,-
<b>BSS 55, painted</b>	A	505,-	173,-	678,-
Lid, galvanized	A	94,-	15,-	109,-
Castor Set, polyamide, Load capacity 1350 kg / castor set	A	185,-	15,-	200,-
<b>BSS 55, hot-dip galvanized</b>	A	626,-	173,-	799,-
Lid, galvanized	A	94,-	15,-	109,-

Prices in EUR, valid EXW DE-46354 Südlohn, DE-38820 Halberstadt, unpacked  
Freight charges valid CPT Norway, islands and oversea territories excluded

# Price List 0424 en-NO

## Forklift Truck Attachments



<b>Swarf Stacking Tipper Type BSS</b>	<b>Category</b>	<b>Price</b>	<b>Freight charges</b>	<b>Price including freight charges</b>
Castor Set, polyamide, Load capacity 1350 kg / castor set	A	185,-	15,-	200,-
<b>BSS 70, painted</b>	A	542,-	173,-	715,-
Lid, galvanized	A	117,-	15,-	132,-
Castor Set, polyamide, Load capacity 1350 kg / castor set	A	185,-	15,-	200,-
<b>BSS 70, hot-dip galvanized</b>	A	684,-	254,-	938,-
Lid, galvanized	A	117,-	15,-	132,-
Castor Set, polyamide, Load capacity 1350 kg / castor set	A	185,-	15,-	200,-
<b>BSS 90, painted</b>	A	576,-	254,-	830,-
Lid, galvanized	A	160,-	18,-	178,-
Castor Set, polyamide, Load capacity 1350 kg / castor set	A	185,-	15,-	200,-
<b>BSS 90, hot-dip galvanized</b>	A	739,-	254,-	993,-
Lid, galvanized	A	160,-	18,-	178,-
Castor Set, polyamide, Load capacity 1350 kg / castor set	A	185,-	15,-	200,-
<b>BSS 150, painted</b>	A	876,-	254,-	1130,-
Lid, galvanized	A	215,-	21,-	236,-
Castor Set, polyamide, Load capacity 1350 kg / castor set	A	185,-	15,-	200,-
<b>BSS 150, hot-dip galvanized</b>	A	1126,-	254,-	1380,-
Lid, galvanized	A	215,-	21,-	236,-
Castor Set, polyamide, Load capacity 1350 kg / castor set	A	185,-	15,-	200,-
<b>BSS 200, painted</b>	A	989,-	254,-	1243,-
Lid, galvanized	A	274,-	26,-	300,-
Castor Set, polyamide, Load capacity 1350 kg / castor set	A	185,-	15,-	200,-
<b>BSS 200, hot-dip galvanized</b>	A	1324,-	381,-	1705,-
Lid, galvanized	A	274,-	26,-	300,-
Castor Set, polyamide, Load capacity 1350 kg / castor set	A	185,-	15,-	200,-
<b>Traverse For Stacking Tipper Type BST</b>	<b>Category</b>	<b>Price</b>	<b>Freight charges</b>	<b>Price including freight charges</b>
<b>BST 30, painted</b>	A	320,-	173,-	493,-
Traverse Stand Type TS, hot-dip galvanized	A	75,-	8,-	83,-
<b>BST 55, painted</b>	A	342,-	173,-	515,-
Traverse Stand Type TS, hot-dip galvanized	A	75,-	9,-	84,-
<b>BST 70, painted</b>	A	342,-	173,-	515,-
Traverse Stand Type TS, hot-dip galvanized	A	75,-	9,-	84,-
<b>BST 90, painted</b>	A	355,-	173,-	528,-
Traverse Stand Type TS, hot-dip galvanized	A	75,-	9,-	84,-
<b>BST 150, painted</b>	A	532,-	254,-	786,-
Traverse Stand Type TS, hot-dip galvanized	A	75,-	9,-	84,-
<b>BST 200, painted</b>	A	591,-	254,-	845,-
Traverse Stand Type TS, hot-dip galvanized	A	75,-	9,-	84,-
<b>Traverse For Stacking Tipper Type BST-H</b>	<b>Category</b>	<b>Price</b>	<b>Freight charges</b>	<b>Price including freight charges</b>
<b>BST-H 30, painted</b>	A	2055,-	254,-	2309,-
Traverse Stand Type TS, hot-dip galvanized	A	75,-	8,-	83,-
<b>BST-H 55, painted</b>	A	2180,-	254,-	2434,-
Traverse Stand Type TS, hot-dip galvanized	A	75,-	8,-	83,-

Prices in EUR, valid EXW DE-46354 Südlohn, DE-38820 Halberstadt, unpacked  
Freight charges valid CPT Norway, islands and oversea territories excluded

# Price List 0424 en-NO

## Forklift Truck Attachments



Traverse For Stacking Tipper Type BST-H	Category	Price	Freight charges	Price including freight charges
BST-H 70, painted	A	2180,-	254,-	2434,-
Traverse Stand Type TS, hot-dip galvanized	A	75,-	8,-	83,-
BST-H 90, painted	A	2293,-	254,-	2547,-
Traverse Stand Type TS, hot-dip galvanized	A	75,-	8,-	83,-
BST-H 150, painted	A	2608,-	381,-	2989,-
Traverse Stand Type TS, hot-dip galvanized	A	75,-	9,-	84,-
BST-H 200, painted	A	2871,-	381,-	3252,-
Traverse Stand Type TS, hot-dip galvanized	A	75,-	9,-	84,-

Traverse For Stacking Tipper Type BST-U	Category	Price	Freight charges	Price including freight charges
BST-U 30, painted	A	923,-	254,-	1177,-
BST-U 55, painted	A	985,-	254,-	1239,-
BST-U 70, painted	A	985,-	254,-	1239,-
BST-U 90, painted	A	1011,-	254,-	1265,-

Filling Hopper Type BTM	Category	Price	Freight charges	Price including freight charges
BTM, painted	A	2377,-	480,-	2857,-

Filling Hopper Type BTS	Category	Price	Freight charges	Price including freight charges
BTS, painted	A	2035,-	480,-	2515,-

Bin Type C	Category	Price	Freight charges	Price including freight charges
C 30, painted	A	407,-	173,-	580,-
C 30, hot-dip galvanized	A	447,-	173,-	620,-
C 80, painted	A	586,-	173,-	759,-
C 80, hot-dip galvanized	A	630,-	173,-	803,-

Swarf Bin Type CS	Category	Price	Freight charges	Price including freight charges
CS 30, painted	A	469,-	173,-	642,-
CS 30, hot-dip galvanized	A	514,-	173,-	687,-
CS 80, painted	A	692,-	173,-	865,-
CS 80, hot-dip galvanized	A	740,-	254,-	994,-

Shovel Type DGS	Category	Price	Freight charges	Price including freight charges
DGS 500, painted	A	2565,-	381,-	2946,-
DGS 700, painted	A	2594,-	381,-	2975,-
DGS 950, painted	A	2630,-	480,-	3110,-
DGS 1200, painted	A	2825,-	480,-	3305,-

Tilting Container Type DUO	Category	Price	Freight charges	Price including freight charges
DUO, painted	A	1803,-	381,-	2184,-
Lid, galvanized	A	228,-	27,-	255,-
Castor Set, polyamide, Load capacity 1350 kg / castor set	A	185,-	15,-	200,-
Set of 5 self-adhesive stickers with symbols for: glass, paper, plastic, metal, residual waste	A	28,-	on request	on request

Prices in EUR, valid EXW DE-46354 Südlohn, DE-38820 Halberstadt, unpacked  
 Freight charges valid CPT Norway, islands and oversea territories excluded

# Price List 0424 en-NO

## Forklift Truck Attachments



Tilting Container Type EXPO®	Category	Price	Freight charges	Price including freight charges
<b>EXPO 150, painted</b>	A	587,-	173,-	760,-
Lid, galvanized	A	168,-	18,-	186,-
Castor Set, polyamide, Load capacity 1050 kg / castor set	A	150,-	15,-	165,-
Skip Body Welded Oil and Watertight	A	75,-	0,-	75,-
<b>EXPO 150, hot-dip galvanized</b>	A	692,-	173,-	865,-
Lid, galvanized	A	168,-	18,-	186,-
Castor Set, polyamide, Load capacity 1050 kg / castor set	A	150,-	15,-	165,-
Skip Body Welded Oil and Watertight	A	75,-	0,-	75,-
<b>EXPO 225, painted</b>	A	639,-	173,-	812,-
Lid, galvanized	A	168,-	18,-	186,-
Castor Set, polyamide, Load capacity 1050 kg / castor set	A	150,-	15,-	165,-
Skip Body Welded Oil and Watertight	A	75,-	0,-	75,-
<b>EXPO 225, hot-dip galvanized</b>	A	758,-	173,-	931,-
Lid, galvanized	A	168,-	18,-	186,-
Castor Set, polyamide, Load capacity 1050 kg / castor set	A	150,-	15,-	165,-
Skip Body Welded Oil and Watertight	A	75,-	0,-	75,-
<b>EXPO 275, painted</b>	A	667,-	173,-	840,-
Lid, galvanized	A	168,-	18,-	186,-
Castor Set, polyamide, Load capacity 1050 kg / castor set	A	150,-	15,-	165,-
Skip Body Welded Oil and Watertight	A	75,-	0,-	75,-
<b>EXPO 275, hot-dip galvanized</b>	A	798,-	173,-	971,-
Lid, galvanized	A	168,-	18,-	186,-
Castor Set, polyamide, Load capacity 1050 kg / castor set	A	150,-	15,-	165,-
Skip Body Welded Oil and Watertight	A	75,-	0,-	75,-
<b>EXPO 300, painted</b>	A	601,-	254,-	855,-
Lid, galvanized	A	168,-	18,-	186,-
Castor Set, polyamide, Load capacity 1350 kg / castor set	A	185,-	15,-	200,-
Skip Body Welded Oil and Watertight	A	75,-	0,-	75,-
<b>EXPO 300, hot-dip galvanized</b>	A	771,-	254,-	1025,-
Lid, galvanized	A	168,-	18,-	186,-
Castor Set, polyamide, Load capacity 1350 kg / castor set	A	185,-	15,-	200,-
Skip Body Welded Oil and Watertight	A	75,-	0,-	75,-
<b>EXPO 600, painted</b>	A	708,-	254,-	962,-
Lid, galvanized	A	189,-	22,-	211,-
Castor Set, polyamide, Load capacity 1350 kg / castor set	A	185,-	15,-	200,-
Skip Body Welded Oil and Watertight	A	75,-	0,-	75,-
<b>EXPO 600, hot-dip galvanized</b>	A	849,-	254,-	1103,-
Lid, galvanized	A	189,-	22,-	211,-
Castor Set, polyamide, Load capacity 1350 kg / castor set	A	185,-	15,-	200,-
Skip Body Welded Oil and Watertight	A	75,-	0,-	75,-
<b>EXPO 900, painted</b>	A	790,-	254,-	1044,-
Lid, galvanized	A	215,-	27,-	242,-
Castor Set, polyamide, Load capacity 1350 kg / castor set	A	185,-	15,-	200,-
Skip Body Welded Oil and Watertight	A	75,-	0,-	75,-
<b>EXPO 900, hot-dip galvanized</b>	A	931,-	254,-	1185,-
Lid, galvanized	A	215,-	27,-	242,-

Prices in EUR, valid EXW DE-46354 Südlohn, DE-38820 Halberstadt, unpacked  
Freight charges valid CPT Norway, islands and oversea territories excluded

# Price List 0424 en-NO

## Forklift Truck Attachments



Tilting Container Type EXPO®	Category	Price	Freight charges	Price including freight charges
Castor Set, polyamide, Load capacity 1350 kg / castor set	A	185,-	15,-	200,-
Skip Body Welded Oil and Watertight	A	75,-	0,-	75,-
<b>EXPO 1200, painted</b>	A	855,-	381,-	1236,-
Lid, galvanized	A	215,-	26,-	241,-
Castor Set, polyamide, Load capacity 1350 kg / castor set	A	185,-	15,-	200,-
Skip Body Welded Oil and Watertight	A	116,-	0,-	116,-
<b>EXPO 1200, hot-dip galvanized</b>	A	1006,-	381,-	1387,-
Lid, galvanized	A	215,-	26,-	241,-
Castor Set, polyamide, Load capacity 1350 kg / castor set	A	185,-	15,-	200,-
Skip Body Welded Oil and Watertight	A	116,-	0,-	116,-
<b>EXPO 1700, painted</b>	A	1161,-	381,-	1542,-
Lid, galvanized	A	266,-	33,-	299,-
Castor Set, polyamide, Load capacity 1350 kg / castor set	A	185,-	15,-	200,-
Skip Body Welded Oil and Watertight	A	116,-	0,-	116,-
<b>EXPO 1700, hot-dip galvanized</b>	A	1386,-	381,-	1767,-
Lid, galvanized	A	266,-	33,-	299,-
Castor Set, polyamide, Load capacity 1350 kg / castor set	A	185,-	15,-	200,-
Skip Body Welded Oil and Watertight	A	116,-	0,-	116,-
<b>EXPO 2100, painted</b>	A	1280,-	381,-	1661,-
Lid, galvanized	A	347,-	36,-	383,-
Castor Set, polyamide, Load capacity 1350 kg / castor set	A	185,-	15,-	200,-
Skip Body Welded Oil and Watertight	A	116,-	0,-	116,-
<b>EXPO 2100, hot-dip galvanized</b>	A	1551,-	381,-	1932,-
Lid, galvanized	A	347,-	36,-	383,-
Castor Set, polyamide, Load capacity 1350 kg / castor set	A	185,-	15,-	200,-
Skip Body Welded Oil and Watertight	A	116,-	0,-	116,-
Swarf Tilting Container Type EXPO®-E	Category	Price	Freight charges	Price including freight charges
<b>EXPO-E 150, painted</b>	A	704,-	173,-	877,-
Lid, galvanized	A	168,-	18,-	186,-
Castor Set, polyamide, Load capacity 1050 kg / castor set	A	150,-	15,-	165,-
<b>EXPO-E 150, hot-dip galvanized</b>	A	808,-	173,-	981,-
Lid, galvanized	A	168,-	18,-	186,-
Castor Set, polyamide, Load capacity 1050 kg / castor set	A	150,-	15,-	165,-
<b>EXPO-E 225, painted</b>	A	755,-	173,-	928,-
Lid, galvanized	A	168,-	18,-	186,-
Castor Set, polyamide, Load capacity 1050 kg / castor set	A	150,-	15,-	165,-
<b>EXPO-E 225, hot-dip galvanized</b>	A	876,-	173,-	1049,-
Lid, galvanized	A	168,-	18,-	186,-
Castor Set, polyamide, Load capacity 1050 kg / castor set	A	150,-	15,-	165,-
<b>EXPO-E 275, painted</b>	A	784,-	173,-	957,-
Lid, galvanized	A	168,-	18,-	186,-
Castor Set, polyamide, Load capacity 1050 kg / castor set	A	150,-	15,-	165,-
<b>EXPO-E 275, hot-dip galvanized</b>	A	912,-	173,-	1085,-
Lid, galvanized	A	168,-	18,-	186,-
Castor Set, polyamide, Load capacity 1050 kg / castor set	A	150,-	15,-	165,-

Prices in EUR, valid EXW DE-46354 Südlohn, DE-38820 Halberstadt, unpacked  
Freight charges valid CPT Norway, islands and oversea territories excluded



# Price List 0424 en-NO

## Forklift Truck Attachments



<b>Swarf Tilting Container Type EXPO®-E</b>	<b>Category</b>	<b>Price</b>	<b>Freight charges</b>	<b>Price including freight charges</b>
<b>EXPO-E 300, painted</b>	A	718,-	254,-	972,-
Lid, galvanized	A	168,-	18,-	186,-
Castor Set, polyamide, Load capacity 1350 kg / castor set	A	185,-	15,-	200,-
<b>EXPO-E 300, hot-dip galvanized</b>	A	887,-	254,-	1141,-
Lid, galvanized	A	168,-	18,-	186,-
Castor Set, polyamide, Load capacity 1350 kg / castor set	A	185,-	15,-	200,-
<b>EXPO-E 600, painted</b>	A	824,-	254,-	1078,-
Lid, galvanized	A	189,-	22,-	211,-
Castor Set, polyamide, Load capacity 1350 kg / castor set	A	185,-	15,-	200,-
<b>EXPO-E 600, hot-dip galvanized</b>	A	965,-	254,-	1219,-
Lid, galvanized	A	189,-	22,-	211,-
Castor Set, polyamide, Load capacity 1350 kg / castor set	A	185,-	15,-	200,-
<b>EXPO-E 900, painted</b>	A	906,-	254,-	1160,-
Lid, galvanized	A	215,-	27,-	242,-
Castor Set, polyamide, Load capacity 1350 kg / castor set	A	185,-	15,-	200,-
<b>EXPO-E 900, hot-dip galvanized</b>	A	1048,-	254,-	1302,-
Lid, galvanized	A	215,-	27,-	242,-
Castor Set, polyamide, Load capacity 1350 kg / castor set	A	185,-	15,-	200,-
<b>EXPO-E 1200, painted</b>	A	1012,-	381,-	1393,-
Lid, galvanized	A	215,-	26,-	241,-
Castor Set, polyamide, Load capacity 1350 kg / castor set	A	185,-	15,-	200,-
<b>EXPO-E 1200, hot-dip galvanized</b>	A	1163,-	381,-	1544,-
Lid, galvanized	A	215,-	26,-	241,-
Castor Set, polyamide, Load capacity 1350 kg / castor set	A	185,-	15,-	200,-
<b>EXPO-E 1700, painted</b>	A	1318,-	381,-	1699,-
Lid, galvanized	A	266,-	33,-	299,-
Castor Set, polyamide, Load capacity 1350 kg / castor set	A	185,-	15,-	200,-
<b>EXPO-E 1700, hot-dip galvanized</b>	A	1543,-	381,-	1924,-
Lid, galvanized	A	266,-	33,-	299,-
Castor Set, polyamide, Load capacity 1350 kg / castor set	A	185,-	15,-	200,-
<b>EXPO-E 2100, painted</b>	A	1437,-	381,-	1818,-
Lid, galvanized	A	347,-	36,-	383,-
Castor Set, polyamide, Load capacity 1350 kg / castor set	A	185,-	15,-	200,-
<b>EXPO-E 2100, hot-dip galvanized</b>	A	1708,-	381,-	2089,-
Lid, galvanized	A	347,-	36,-	383,-
Castor Set, polyamide, Load capacity 1350 kg / castor set	A	185,-	15,-	200,-

<b>Container With Drop Away Base Type FB</b>	<b>Category</b>	<b>Price</b>	<b>Freight charges</b>	<b>Price including freight charges</b>
<b>FB 500, painted</b>	A	781,-	254,-	1035,-
Lid, galvanized	A	189,-	15,-	204,-
Castor Set, polyamide, Load capacity 1350 kg / castor set	A	185,-	15,-	200,-
Guiding Plates, galvanized	A	112,-	12,-	124,-
<b>FB 500, hot-dip galvanized</b>	A	960,-	254,-	1214,-
Lid, galvanized	A	189,-	15,-	204,-
Castor Set, polyamide, Load capacity 1350 kg / castor set	A	185,-	15,-	200,-
Guiding Plates, galvanized	A	112,-	12,-	124,-

Prices in EUR, valid EXW DE-46354 Südlohn, DE-38820 Halberstadt, unpacked  
Freight charges valid CPT Norway, islands and oversea territories excluded

# Price List 0424 en-NO

## Forklift Truck Attachments



Container With Drop Away Base Type FB	Category	Price	Freight charges	Price including freight charges
<b>FB 750, painted</b>	A	850,-	254,-	1104,-
Lid, galvanized	A	189,-	15,-	204,-
Castor Set, polyamide, Load capacity 1350 kg / castor set	A	185,-	15,-	200,-
Guiding Plates, galvanized	A	112,-	12,-	124,-
<b>FB 750, hot-dip galvanized</b>	A	1038,-	254,-	1292,-
Lid, galvanized	A	189,-	15,-	204,-
Castor Set, polyamide, Load capacity 1350 kg / castor set	A	185,-	15,-	200,-
Guiding Plates, galvanized	A	112,-	12,-	124,-
<b>FB 1000, painted</b>	A	910,-	254,-	1164,-
Lid, galvanized	A	229,-	18,-	247,-
Castor Set, polyamide, Load capacity 1350 kg / castor set	A	185,-	15,-	200,-
Guiding Plates, galvanized	A	112,-	12,-	124,-
<b>FB 1000, hot-dip galvanized</b>	A	1117,-	254,-	1371,-
Lid, galvanized	A	229,-	18,-	247,-
Castor Set, polyamide, Load capacity 1350 kg / castor set	A	185,-	15,-	200,-
Guiding Plates, galvanized	A	112,-	12,-	124,-
<b>FB 1500, painted</b>	A	1067,-	381,-	1448,-
Lid, galvanized	A	339,-	21,-	360,-
Castor Set, polyamide, Load capacity 1350 kg / castor set	A	185,-	15,-	200,-
Guiding Plates, galvanized	A	112,-	12,-	124,-
<b>FB 1500, hot-dip galvanized</b>	A	1344,-	381,-	1725,-
Lid, galvanized	A	339,-	21,-	360,-
Castor Set, polyamide, Load capacity 1350 kg / castor set	A	185,-	15,-	200,-
Guiding Plates, galvanized	A	112,-	12,-	124,-
<b>FB 2000, painted</b>	A	1151,-	381,-	1532,-
Lid, galvanized	A	339,-	21,-	360,-
Castor Set, polyamide, Load capacity 1350 kg / castor set	A	185,-	15,-	200,-
Guiding Plates, galvanized	A	112,-	12,-	124,-
<b>FB 2000, hot-dip galvanized</b>	A	1460,-	381,-	1841,-
Lid, galvanized	A	339,-	21,-	360,-
Castor Set, polyamide, Load capacity 1350 kg / castor set	A	185,-	15,-	200,-
Guiding Plates, galvanized	A	112,-	12,-	124,-
<b>Drum Tipper Type FD/L-HK</b>	<b>Category</b>	<b>Price</b>	<b>Freight charges</b>	<b>Price including freight charges</b>
<b>FD/L-HK, painted</b>	B	2245,-	254,-	2499,-
<b>FD/L-HK, hot-dip galvanized</b>	B	2671,-	254,-	2925,-
<b>Drum Tipper Type FD/L-K</b>	<b>Category</b>	<b>Price</b>	<b>Freight charges</b>	<b>Price including freight charges</b>
<b>FD/L-K, painted</b>	B	2429,-	254,-	2683,-
<b>FD/L-K, hot-dip galvanized</b>	B	2864,-	254,-	3118,-
<b>Drum Tipper Type FD-H</b>	<b>Category</b>	<b>Price</b>	<b>Freight charges</b>	<b>Price including freight charges</b>
<b>FD-H, painted</b>	B	2505,-	173,-	2678,-
<b>FD-H, hot-dip galvanized</b>	B	2732,-	173,-	2905,-

Prices in EUR, valid EXW DE-46354 Südlohn, DE-38820 Halberstadt, unpacked  
Freight charges valid CPT Norway, islands and oversea territories excluded

# Price List 0424 en-NO

## Forklift Truck Attachments



Drum Tipper Type FD-HK	Category	Price	Freight charges	Price including freight charges
FD-HK, painted	B	1929,-	173,-	2102,-
FD-HK, hot-dip galvanized	B	2161,-	173,-	2334,-
Drum Tipper Type FD-K	Category	Price	Freight charges	Price including freight charges
FD-K, painted	B	2114,-	173,-	2287,-
FD-K, hot-dip galvanized	B	2354,-	173,-	2527,-
Drum Tipper Type FD-SK	Category	Price	Freight charges	Price including freight charges
FD-SK, painted	B	1929,-	173,-	2102,-
FD-SK, hot-dip galvanized	B	2161,-	173,-	2334,-
Drum Jack Type FH	Category	Price	Freight charges	Price including freight charges
FH-I 120, painted	B	1589,-	173,-	1762,-
FH-I 120, hot-dip galvanized	B	1761,-	173,-	1934,-
FH-I 220, painted	B	1589,-	173,-	1762,-
FH-I 220, hot-dip galvanized	B	1789,-	173,-	1962,-
FH-II 120, painted	B	2320,-	173,-	2493,-
FH-II 120, hot-dip galvanized	B	2582,-	173,-	2755,-
FH-II 220, painted	B	2320,-	173,-	2493,-
FH-II 220, hot-dip galvanized	B	2636,-	173,-	2809,-
Drum Gripper Type FK	Category	Price	Freight charges	Price including freight charges
FK-I, painted	B	1208,-	173,-	1381,-
FK-I, hot-dip galvanized	B	1472,-	173,-	1645,-
FK-II, painted	B	1437,-	254,-	1691,-
FK-II, hot-dip galvanized	B	1818,-	254,-	2072,-
Drum Clamp Type FKL	Category	Price	Freight charges	Price including freight charges
FKL, painted	B	463,-	70,-	533,-
Drum Tipper Type FLEX-HK	Category	Price	Freight charges	Price including freight charges
FLEX-HK, painted	B	2090,-	173,-	2263,-
Shelf Drum Pallet RP, galvanized	B	140,-	70,-	210,-
FLEX-HK, hot-dip galvanized	B	2258,-	173,-	2431,-
Shelf Drum Pallet RP, galvanized	B	140,-	70,-	210,-
Drum Tipper Type FLEX-K	Category	Price	Freight charges	Price including freight charges
FLEX-K, painted	B	2283,-	173,-	2456,-
Shelf Drum Pallet RP, galvanized	B	140,-	70,-	210,-
FLEX-K, hot-dip galvanized	B	2447,-	173,-	2620,-
Shelf Drum Pallet RP, galvanized	B	140,-	70,-	210,-
Drum Traverse Type FT/M	Category	Price	Freight charges	Price including freight charges
FT/M, galvanized	B	305,-	70,-	375,-

Prices in EUR, valid EXW DE-46354 Südlohn, DE-38820 Halberstadt, unpacked  
Freight charges valid CPT Norway, islands and oversea territories excluded

# Price List 0424 en-NO

## Forklift Truck Attachments



Drum Traverse Type FT/MK	Category	Price	Freight charges	Price including freight charges
FT/MK, galvanized	B	349,-	70,-	419,-
Drum Turner Type FW	Category	Price	Freight charges	Price including freight charges
FW-I, painted	B	1342,-	254,-	1596,-
FW-I, hot-dip galvanized	B	1742,-	254,-	1996,-
FW-II, painted	B	1879,-	254,-	2133,-
FW-II, hot-dip galvanized	B	2447,-	254,-	2701,-
Drum Turning Claw Type FWZ	Category	Price	Freight charges	Price including freight charges
FWZ-60, painted	B	1309,-	173,-	1482,-
FWZ-60, hot-dip galvanized	B	1289,-	173,-	1462,-
FWZ-200, painted	B	1349,-	173,-	1522,-
FWZ-200, hot-dip galvanized	B	1329,-	173,-	1502,-
Fork Extensions Type GG	Category	Price	Freight charges	Price including freight charges
GG 80/40 (1600 mm long), painted	A	522,-	173,-	695,-
GG 80/40 (1800 mm long), painted	A	550,-	173,-	723,-
GG 80/40 (2000 mm long), painted	A	580,-	173,-	753,-
GG 100/40 (1600 mm long), painted	A	522,-	173,-	695,-
GG 100/40 (1800 mm long), painted	A	550,-	173,-	723,-
GG 100/40 (2000 mm long), painted	A	580,-	173,-	753,-
GG 100/45 (1600 mm long), painted	A	522,-	173,-	695,-
GG 100/45 (1800 mm long), painted	A	550,-	173,-	723,-
GG 100/45 (2000 mm long), painted	A	580,-	173,-	753,-
GG 100/50 (1600 mm long), painted	A	522,-	173,-	695,-
GG 100/50 (1800 mm long), painted	A	550,-	173,-	723,-
GG 100/50 (2000 mm long), painted	A	580,-	254,-	834,-
GG 120/40 (1600 mm long), painted	A	550,-	173,-	723,-
GG 120/40 (1800 mm long), painted	A	580,-	254,-	834,-
GG 120/40 (2000 mm long), painted	A	623,-	254,-	877,-
GG 120/50 (1600 mm long), painted	A	550,-	173,-	723,-
GG 120/50 (1800 mm long), painted	A	580,-	254,-	834,-
GG 120/50 (2000 mm long), painted	A	623,-	254,-	877,-
GG 125/45 (1600 mm long), painted	A	550,-	173,-	723,-
GG 125/45 (1800 mm long), painted	A	580,-	254,-	834,-
GG 125/45 (2000 mm long), painted	A	623,-	254,-	877,-
GG 125/50 (1600 mm long), painted	A	550,-	173,-	723,-
GG 125/50 (1800 mm long), painted	A	580,-	254,-	834,-
GG 125/50 (2000 mm long), painted	A	623,-	254,-	877,-
GG 150/50 (1600 mm long), painted	A	612,-	254,-	866,-
GG 150/50 (1800 mm long), painted	A	657,-	254,-	911,-
GG 150/50 (2000 mm long), painted	A	688,-	254,-	942,-
GG 150/70 (1600 mm long), painted	A	612,-	254,-	866,-
GG 150/70 (1800 mm long), painted	A	657,-	254,-	911,-
GG 150/70 (2000 mm long), painted	A	688,-	254,-	942,-

Prices in EUR, valid EXW DE-46354 Südlohn, DE-38820 Halberstadt, unpacked  
Freight charges valid CPT Norway, islands and oversea territories excluded

# Price List 0424 en-NO

## Forklift Truck Attachments



Fork Extensions Type GO	Category	Price	Freight charges	Price including freight charges
GO 80/40 (1600 mm long), painted	A	376,-	173,-	549,-
GO 80/40 (1800 mm long), painted	A	382,-	173,-	555,-
GO 80/40 (2000 mm long), painted	A	397,-	173,-	570,-
GO 100/40 (1600 mm long), painted	A	376,-	173,-	549,-
GO 100/40 (1800 mm long), painted	A	382,-	173,-	555,-
GO 100/40 (2000 mm long), painted	A	397,-	173,-	570,-
GO 100/45 (1600 mm long), painted	A	376,-	173,-	549,-
GO 100/45 (1800 mm long), painted	A	382,-	173,-	555,-
GO 100/45 (2000 mm long), painted	A	397,-	173,-	570,-
GO 100/50 (1600 mm long), painted	A	376,-	173,-	549,-
GO 100/50 (1800 mm long), painted	A	382,-	173,-	555,-
GO 100/50 (2000 mm long), painted	A	397,-	173,-	570,-
GO 120/40 (1600 mm long), painted	A	382,-	173,-	555,-
GO 120/40 (1800 mm long), painted	A	403,-	173,-	576,-
GO 120/40 (2000 mm long), painted	A	420,-	173,-	593,-
GO 120/50 (1600 mm long), painted	A	382,-	173,-	555,-
GO 120/50 (1800 mm long), painted	A	403,-	173,-	576,-
GO 120/50 (2000 mm long), painted	A	420,-	173,-	593,-
GO 125/45 (1600 mm long), painted	A	382,-	173,-	555,-
GO 125/45 (1800 mm long), painted	A	403,-	173,-	576,-
GO 125/45 (2000 mm long), painted	A	420,-	173,-	593,-
GO 125/50 (1600 mm long), painted	A	382,-	173,-	555,-
GO 125/50 (1800 mm long), painted	A	403,-	173,-	576,-
GO 125/50 (2000 mm long), painted	A	420,-	173,-	593,-
GO 150/50 (1600 mm long), painted	A	458,-	173,-	631,-
GO 150/50 (1800 mm long), painted	A	498,-	173,-	671,-
GO 150/50 (2000 mm long), painted	A	536,-	173,-	709,-
GO 150/70 (1600 mm long), painted	A	458,-	173,-	631,-
GO 150/70 (1800 mm long), painted	A	498,-	173,-	671,-
GO 150/70 (2000 mm long), painted	A	536,-	173,-	709,-

Tilting Container Type GU	Category	Price	Freight charges	Price including freight charges
<b>GU 300, painted</b>	A	632,-	254,-	886,-
Lid, galvanized	A	94,-	18,-	112,-
Castor Set, polyamide, Load capacity 1350 kg / castor set	A	185,-	15,-	200,-
Skip Body Welded Oil and Watertight	A	75,-	0,-	75,-
Crane lifting eyes for use with a crane	A	102,-	8,-	110,-
Support legs, 100 mm ground leeway	A	67,-	8,-	75,-
<b>GU 300, hot-dip galvanized</b>	A	836,-	254,-	1090,-
Lid, galvanized	A	94,-	18,-	112,-
Castor Set, polyamide, Load capacity 1350 kg / castor set	A	185,-	15,-	200,-
Skip Body Welded Oil and Watertight	A	75,-	0,-	75,-
Crane lifting eyes for use with a crane	A	102,-	8,-	110,-
Support legs, 100 mm ground leeway	A	67,-	8,-	75,-
<b>GU 500, painted</b>	A	860,-	254,-	1114,-
Lid, galvanized	A	94,-	18,-	112,-

Prices in EUR, valid EXW DE-46354 Südlohn, DE-38820 Halberstadt, unpacked  
 Freight charges valid CPT Norway, islands and oversea territories excluded

# Price List 0424 en-NO

## Forklift Truck Attachments



Tilting Container Type GU	Category	Price	Freight charges	Price including freight charges
Castor Set, polyamide, Load capacity 1350 kg / castor set	A	185,-	15,-	200,-
Skip Body Welded Oil and Watertight	A	75,-	0,-	75,-
Adjustable dumping brake	A	448,-	10,-	458,-
Crane lifting eyes for use with a crane	A	102,-	8,-	110,-
Support legs, 100 mm ground leeway	A	67,-	8,-	75,-
<b>GU 500, hot-dip galvanized</b>	A	1120,-	254,-	1374,-
Lid, galvanized	A	94,-	18,-	112,-
Castor Set, polyamide, Load capacity 1350 kg / castor set	A	185,-	15,-	200,-
Skip Body Welded Oil and Watertight	A	75,-	0,-	75,-
Adjustable dumping brake	A	448,-	10,-	458,-
Crane lifting eyes for use with a crane	A	102,-	8,-	110,-
Support legs, 100 mm ground leeway	A	67,-	8,-	75,-
<b>GU 750, painted</b>	A	1016,-	254,-	1270,-
Lid, galvanized	A	134,-	26,-	160,-
Castor Set, polyamide, Load capacity 1350 kg / castor set	A	185,-	15,-	200,-
Skip Body Welded Oil and Watertight	A	75,-	0,-	75,-
Adjustable dumping brake	A	448,-	10,-	458,-
Crane lifting eyes for use with a crane	A	102,-	8,-	110,-
Support legs, 100 mm ground leeway	A	67,-	8,-	75,-
<b>GU 750, hot-dip galvanized</b>	A	1324,-	254,-	1578,-
Lid, galvanized	A	134,-	26,-	160,-
Castor Set, polyamide, Load capacity 1350 kg / castor set	A	185,-	15,-	200,-
Skip Body Welded Oil and Watertight	A	75,-	0,-	75,-
Adjustable dumping brake	A	448,-	10,-	458,-
Crane lifting eyes for use with a crane	A	102,-	8,-	110,-
Support legs, 100 mm ground leeway	A	67,-	8,-	75,-
<b>GU 1000, painted</b>	A	1123,-	254,-	1377,-
Lid, galvanized	A	185,-	27,-	212,-
Castor Set, polyamide, Load capacity 1350 kg / castor set	A	185,-	15,-	200,-
Skip Body Welded Oil and Watertight	A	116,-	0,-	116,-
Adjustable dumping brake	A	448,-	10,-	458,-
Crane lifting eyes for use with a crane	A	102,-	8,-	110,-
Support legs, 100 mm ground leeway	A	67,-	8,-	75,-
<b>GU 1000, hot-dip galvanized</b>	A	1591,-	381,-	1972,-
Lid, galvanized	A	185,-	27,-	212,-
Castor Set, polyamide, Load capacity 1350 kg / castor set	A	185,-	15,-	200,-
Skip Body Welded Oil and Watertight	A	116,-	0,-	116,-
Adjustable dumping brake	A	448,-	10,-	458,-
Crane lifting eyes for use with a crane	A	102,-	8,-	110,-
Support legs, 100 mm ground leeway	A	67,-	8,-	75,-
<b>GU 1500, painted</b>	A	1311,-	381,-	1692,-
Lid, galvanized	A	185,-	27,-	212,-
Castor Set, polyamide, Load capacity 1350 kg / castor set	A	185,-	15,-	200,-
Skip Body Welded Oil and Watertight	A	116,-	0,-	116,-
Adjustable dumping brake	A	448,-	10,-	458,-
Crane lifting eyes for use with a crane	A	102,-	8,-	110,-

Prices in EUR, valid EXW DE-46354 Südlohn, DE-38820 Halberstadt, unpacked  
Freight charges valid CPT Norway, islands and oversea territories excluded

# Price List 0424 en-NO

## Forklift Truck Attachments



Tilting Container Type GU	Category	Price	Freight charges	Price including freight charges
Support legs, 100 mm ground leeway	A	67,-	8,-	75,-
<b>GU 1500, hot-dip galvanized</b>	A	1709,-	381,-	2090,-
Lid, galvanized	A	185,-	27,-	212,-
Castor Set, polyamide, Load capacity 1350 kg / castor set	A	185,-	15,-	200,-
Skip Body Welded Oil and Watertight	A	116,-	0,-	116,-
Adjustable dumping brake	A	448,-	10,-	458,-
Crane lifting eyes for use with a crane	A	102,-	8,-	110,-
Support legs, 100 mm ground leeway	A	67,-	8,-	75,-
<b>GU 2000, painted</b>	A	1618,-	381,-	1999,-
Lid, galvanized	A	218,-	32,-	250,-
Castor Set, polyamide, Load capacity 1350 kg / castor set	A	185,-	15,-	200,-
Skip Body Welded Oil and Watertight	A	116,-	0,-	116,-
Adjustable dumping brake	A	448,-	10,-	458,-
Crane lifting eyes for use with a crane	A	102,-	8,-	110,-
Support legs, 100 mm ground leeway	A	67,-	8,-	75,-
<b>GU 2000, hot-dip galvanized</b>	A	2125,-	381,-	2506,-
Lid, galvanized	A	218,-	32,-	250,-
Castor Set, polyamide, Load capacity 1350 kg / castor set	A	185,-	15,-	200,-
Skip Body Welded Oil and Watertight	A	116,-	0,-	116,-
Adjustable dumping brake	A	448,-	10,-	458,-
Crane lifting eyes for use with a crane	A	102,-	8,-	110,-
Support legs, 100 mm ground leeway	A	67,-	8,-	75,-
Swarf Tilting Container Type GU-E	Category	Price	Freight charges	Price including freight charges
<b>GU-E 300, painted</b>	A	748,-	254,-	1002,-
Lid, galvanized	A	94,-	18,-	112,-
Castor Set, polyamide, Load capacity 1350 kg / castor set	A	185,-	15,-	200,-
Crane lifting eyes for use with a crane	A	102,-	8,-	110,-
Support legs, 100 mm ground leeway	A	67,-	8,-	75,-
<b>GU-E 300, hot-dip galvanized</b>	A	952,-	254,-	1206,-
Lid, galvanized	A	94,-	18,-	112,-
Castor Set, polyamide, Load capacity 1350 kg / castor set	A	185,-	15,-	200,-
Crane lifting eyes for use with a crane	A	102,-	8,-	110,-
Support legs, 100 mm ground leeway	A	67,-	8,-	75,-
<b>GU-E 500, painted</b>	A	977,-	254,-	1231,-
Lid, galvanized	A	94,-	18,-	112,-
Castor Set, polyamide, Load capacity 1350 kg / castor set	A	185,-	15,-	200,-
Adjustable dumping brake	A	448,-	10,-	458,-
Crane lifting eyes for use with a crane	A	102,-	8,-	110,-
Support legs, 100 mm ground leeway	A	67,-	8,-	75,-
<b>GU-E 500, hot-dip galvanized</b>	A	1236,-	254,-	1490,-
Lid, galvanized	A	94,-	18,-	112,-
Castor Set, polyamide, Load capacity 1350 kg / castor set	A	185,-	15,-	200,-
Adjustable dumping brake	A	448,-	10,-	458,-
Crane lifting eyes for use with a crane	A	102,-	8,-	110,-
Support legs, 100 mm ground leeway	A	67,-	8,-	75,-

Prices in EUR, valid EXW DE-46354 Südlohn, DE-38820 Halberstadt, unpacked  
Freight charges valid CPT Norway, islands and oversea territories excluded

# Price List 0424 en-NO

## Forklift Truck Attachments



Swarf Tilting Container Type GU-E	Category	Price	Freight charges	Price including freight charges
<b>GU-E 750, painted</b>	A	1132,-	254,-	1386,-
Lid, galvanized	A	134,-	26,-	160,-
Castor Set, polyamide, Load capacity 1350 kg / castor set	A	185,-	15,-	200,-
Adjustable dumping brake	A	448,-	10,-	458,-
Crane lifting eyes for use with a crane	A	102,-	8,-	110,-
Support legs, 100 mm ground leeway	A	67,-	8,-	75,-
<b>GU-E 750, hot-dip galvanized</b>	A	1440,-	254,-	1694,-
Lid, galvanized	A	134,-	26,-	160,-
Castor Set, polyamide, Load capacity 1350 kg / castor set	A	185,-	15,-	200,-
Adjustable dumping brake	A	448,-	10,-	458,-
Crane lifting eyes for use with a crane	A	102,-	8,-	110,-
Support legs, 100 mm ground leeway	A	67,-	8,-	75,-
<b>GU-E 1000, painted</b>	A	1280,-	254,-	1534,-
Lid, galvanized	A	185,-	27,-	212,-
Castor Set, polyamide, Load capacity 1350 kg / castor set	A	185,-	15,-	200,-
Adjustable dumping brake	A	448,-	10,-	458,-
Crane lifting eyes for use with a crane	A	102,-	8,-	110,-
Support legs, 100 mm ground leeway	A	67,-	8,-	75,-
<b>GU-E 1000, hot-dip galvanized</b>	A	1748,-	381,-	2129,-
Lid, galvanized	A	185,-	27,-	212,-
Castor Set, polyamide, Load capacity 1350 kg / castor set	A	185,-	15,-	200,-
Adjustable dumping brake	A	448,-	10,-	458,-
Crane lifting eyes for use with a crane	A	102,-	8,-	110,-
Support legs, 100 mm ground leeway	A	67,-	8,-	75,-
<b>GU-E 1500, painted</b>	A	1468,-	381,-	1849,-
Lid, galvanized	A	185,-	27,-	212,-
Castor Set, polyamide, Load capacity 1350 kg / castor set	A	185,-	15,-	200,-
Adjustable dumping brake	A	448,-	10,-	458,-
Crane lifting eyes for use with a crane	A	102,-	8,-	110,-
Support legs, 100 mm ground leeway	A	67,-	8,-	75,-
<b>GU-E 1500, hot-dip galvanized</b>	A	1866,-	381,-	2247,-
Lid, galvanized	A	185,-	27,-	212,-
Castor Set, polyamide, Load capacity 1350 kg / castor set	A	185,-	15,-	200,-
Adjustable dumping brake	A	448,-	10,-	458,-
Crane lifting eyes for use with a crane	A	102,-	8,-	110,-
Support legs, 100 mm ground leeway	A	67,-	8,-	75,-
<b>GU-E 2000, painted</b>	A	1775,-	381,-	2156,-
Lid, galvanized	A	218,-	32,-	250,-
Castor Set, polyamide, Load capacity 1350 kg / castor set	A	185,-	15,-	200,-
Adjustable dumping brake	A	448,-	10,-	458,-
Crane lifting eyes for use with a crane	A	102,-	8,-	110,-
Support legs, 100 mm ground leeway	A	67,-	8,-	75,-
<b>GU-E 2000, hot-dip galvanized</b>	A	2282,-	381,-	2663,-
Lid, galvanized	A	218,-	32,-	250,-
Castor Set, polyamide, Load capacity 1350 kg / castor set	A	185,-	15,-	200,-
Adjustable dumping brake	A	448,-	10,-	458,-

Prices in EUR, valid EXW DE-46354 Südlohn, DE-38820 Halberstadt, unpacked  
Freight charges valid CPT Norway, islands and oversea territories excluded



# Price List 0424 en-NO

## Forklift Truck Attachments



<b>Swarf Tilting Container Type GU-E</b>	<b>Category</b>	<b>Price</b>	<b>Freight charges</b>	<b>Price including freight charges</b>
Crane lifting eyes for use with a crane	A	102,-	8,-	110,-
Support legs, 100 mm ground leeway	A	67,-	8,-	75,-

<b>Tilting Container Type GU-RZ</b>	<b>Category</b>	<b>Price</b>	<b>Freight charges</b>	<b>Price including freight charges</b>
<b>GU-RZ 30, painted</b>	A	675,-	254,-	929,-
Lid, galvanized	A	91,-	18,-	109,-
<b>GU-RZ 30, hot-dip galvanized</b>	A	752,-	254,-	1006,-
Lid, galvanized	A	91,-	18,-	109,-
<b>GU-RZ 55, painted</b>	A	899,-	254,-	1153,-
Lid, galvanized	A	91,-	18,-	109,-
<b>GU-RZ 55, hot-dip galvanized</b>	A	991,-	254,-	1245,-
Lid, galvanized	A	91,-	18,-	109,-

<b>Fork Protection Type GZS</b>	<b>Category</b>	<b>Price</b>	<b>Freight charges</b>	<b>Price including freight charges</b>
GZS, painted	F	172,-	70,-	242,-

<b>Container With Drop Away Base Type HKB</b>	<b>Category</b>	<b>Price</b>	<b>Freight charges</b>	<b>Price including freight charges</b>
HKB 60, painted	A	1041,-	254,-	1295,-
HKB 60, hot-dip galvanized	A	1220,-	254,-	1474,-
HKB 70, painted	A	1101,-	254,-	1355,-
HKB 70, hot-dip galvanized	A	1295,-	254,-	1549,-
HKB 90, painted	A	1369,-	254,-	1623,-
HKB 90, hot-dip galvanized	A	1636,-	381,-	2017,-

<b>Shovel Type HVR</b>	<b>Category</b>	<b>Price</b>	<b>Freight charges</b>	<b>Price including freight charges</b>
HVR 50, painted	A	3278,-	381,-	3659,-
HVR 75, painted	A	3841,-	480,-	4321,-
HVR 80 L, painted	A	3956,-	480,-	4436,-
HVR 100, painted	A	4862,-	650,-	5512,-
HVR 150, painted	A	6214,-	650,-	6864,-

<b>Kippomat Type KG-A</b>	<b>Category</b>	<b>Price</b>	<b>Freight charges</b>	<b>Price including freight charges</b>
KG-A, hot-dip galvanized	A	3109,-	381,-	3490,-

<b>Kippomat Type KG-B</b>	<b>Category</b>	<b>Price</b>	<b>Freight charges</b>	<b>Price including freight charges</b>
KG-B, hot-dip galvanized	A	3030,-	381,-	3411,-

<b>Kippomat Type KG-C</b>	<b>Category</b>	<b>Price</b>	<b>Freight charges</b>	<b>Price including freight charges</b>
KG-C, hot-dip galvanized	A	2010,-	254,-	2264,-

<b>Tipping Skip Type KK</b>	<b>Category</b>	<b>Price</b>	<b>Freight charges</b>	<b>Price including freight charges</b>
<b>KK 250, painted</b>	E	467,-	173,-	640,-
Lid, galvanized	E	131,-	15,-	146,-
Castor Set, polyamide, Load capacity 1050 kg / castor set	A	131,-	15,-	146,-

Prices in EUR, valid EXW DE-46354 Südlohn, DE-38820 Halberstadt, unpacked  
 Freight charges valid CPT Norway, islands and oversea territories excluded

# Price List 0424 en-NO

## Forklift Truck Attachments



Tipping Skip Type KK	Category	Price	Freight charges	Price including freight charges
Castor Set, solid rubber, Load capacity 615 kg / castor set	E	99,-	15,-	114,-
<b>KK 250, hot-dip galvanized</b>	E	515,-	173,-	688,-
Lid, galvanized	E	131,-	15,-	146,-
Castor Set, polyamide, Load capacity 1050 kg / castor set	A	131,-	15,-	146,-
Castor Set, solid rubber, Load capacity 615 kg / castor set	E	99,-	15,-	114,-
<b>KK 400, painted</b>	E	532,-	173,-	705,-
Lid, galvanized	E	150,-	16,-	166,-
Castor Set, polyamide, Load capacity 1050 kg / castor set	A	131,-	15,-	146,-
Castor Set, solid rubber, Load capacity 615 kg / castor set	E	99,-	15,-	114,-
<b>KK 400, hot-dip galvanized</b>	E	579,-	173,-	752,-
Lid, galvanized	E	150,-	16,-	166,-
Castor Set, polyamide, Load capacity 1050 kg / castor set	A	131,-	15,-	146,-
Castor Set, solid rubber, Load capacity 615 kg / castor set	E	99,-	15,-	114,-
<b>KK 600, painted</b>	E	738,-	254,-	992,-
Lid, galvanized	E	167,-	20,-	187,-
Castor Set, polyamide, Load capacity 1050 kg / castor set	A	131,-	15,-	146,-
Castor Set, solid rubber, Load capacity 615 kg / castor set	E	99,-	15,-	114,-
<b>KK 600, hot-dip galvanized</b>	E	835,-	254,-	1089,-
Castor Set, solid rubber, Load capacity 615 kg / castor set	E	99,-	15,-	114,-
Lid, galvanized	E	167,-	20,-	187,-
Castor Set, polyamide, Load capacity 1050 kg / castor set	A	131,-	15,-	146,-
<b>KK 800, painted</b>	E	795,-	254,-	1049,-
Lid, galvanized	E	174,-	21,-	195,-
Castor Set, polyamide, Load capacity 1050 kg / castor set	A	131,-	15,-	146,-
Castor Set, solid rubber, Load capacity 615 kg / castor set	E	99,-	15,-	114,-
<b>KK 800, hot-dip galvanized</b>	E	898,-	254,-	1152,-
Lid, galvanized	E	174,-	21,-	195,-
Castor Set, polyamide, Load capacity 1050 kg / castor set	A	131,-	15,-	146,-
Castor Set, solid rubber, Load capacity 615 kg / castor set	E	99,-	15,-	114,-
<b>KK 1000, painted</b>	E	851,-	254,-	1105,-
Lid, galvanized	E	186,-	22,-	208,-
Castor Set, polyamide, Load capacity 1050 kg / castor set	A	131,-	15,-	146,-
Castor Set, solid rubber, Load capacity 615 kg / castor set	E	99,-	15,-	114,-
<b>KK 1000, hot-dip galvanized</b>	E	979,-	254,-	1233,-
Lid, galvanized	E	186,-	22,-	208,-
Castor Set, polyamide, Load capacity 1050 kg / castor set	A	131,-	15,-	146,-
Castor Set, solid rubber, Load capacity 615 kg / castor set	E	99,-	15,-	114,-
<b>Kippomat Type KM</b>	<b>Category</b>	<b>Price</b>	<b>Freight charges</b>	<b>Price including freight charges</b>
<b>KM, hot-dip galvanized</b>	A	3109,-	254,-	3363,-
<b>Tipping Skip Type KN</b>	<b>Category</b>	<b>Price</b>	<b>Freight charges</b>	<b>Price including freight charges</b>
<b>KN 250, painted</b>	E	467,-	173,-	640,-
Lid, galvanized	E	131,-	15,-	146,-
Castor Set, polyamide, Load capacity 1050 kg / castor set	A	131,-	15,-	146,-

Prices in EUR, valid EXW DE-46354 Südlohn, DE-38820 Halberstadt, unpacked  
Freight charges valid CPT Norway, islands and oversea territories excluded

# Price List 0424 en-NO

## Forklift Truck Attachments



Tipping Skip Type KN	Category	Price	Freight charges	Price including freight charges
Castor Set, solid rubber, Load capacity 615 kg / castor set	E	99,-	15,-	114,-
<b>KN 250, hot-dip galvanized</b>	E	515,-	173,-	688,-
Lid, galvanized	E	131,-	15,-	146,-
Castor Set, polyamide, Load capacity 1050 kg / castor set	A	131,-	15,-	146,-
Castor Set, solid rubber, Load capacity 615 kg / castor set	E	99,-	15,-	114,-
<b>KN 400, painted</b>	E	532,-	173,-	705,-
Lid, galvanized	E	150,-	16,-	166,-
Castor Set, polyamide, Load capacity 1050 kg / castor set	A	131,-	15,-	146,-
Castor Set, solid rubber, Load capacity 615 kg / castor set	E	99,-	15,-	114,-
<b>KN 400, hot-dip galvanized</b>	E	579,-	173,-	752,-
Lid, galvanized	E	150,-	16,-	166,-
Castor Set, polyamide, Load capacity 1050 kg / castor set	A	131,-	15,-	146,-
Castor Set, solid rubber, Load capacity 615 kg / castor set	E	99,-	15,-	114,-
Tipping Skip Type KS	Category	Price	Freight charges	Price including freight charges
<b>KS 400, painted</b>	E	869,-	254,-	1123,-
<b>KS 550, painted</b>	E	931,-	254,-	1185,-
<b>KS 700, painted</b>	E	989,-	254,-	1243,-
Extensible Crane Arm Type KT	Category	Price	Freight charges	Price including freight charges
<b>KT 2,5, painted</b>	A	1399,-	254,-	1653,-
<b>KT 2,5, hot-dip galvanized</b>	A	1703,-	381,-	2084,-
<b>KT 5,0, painted</b>	A	1737,-	381,-	2118,-
<b>KT 5,0, hot-dip galvanized</b>	A	2166,-	381,-	2547,-
Extensible Crane Arm Type KTH	Category	Price	Freight charges	Price including freight charges
<b>KTH 2,5, painted</b>	A	1688,-	381,-	2069,-
<b>KTH 2,5, hot-dip galvanized</b>	A	1998,-	381,-	2379,-
<b>KTH 5,0, painted</b>	A	1943,-	381,-	2324,-
<b>KTH 5,0, hot-dip galvanized</b>	A	2292,-	381,-	2673,-
Extensible Crane Arm Type KTH-K	Category	Price	Freight charges	Price including freight charges
<b>KTH-K 2,5, painted</b>	A	1551,-	254,-	1805,-
<b>KTH-K 2,5, hot-dip galvanized</b>	A	1877,-	254,-	2131,-
<b>KTH-K 5,0, painted</b>	A	1789,-	254,-	2043,-
<b>KTH-K 5,0, hot-dip galvanized</b>	A	2156,-	381,-	2537,-
Extensible Crane Arm Type KT-K	Category	Price	Freight charges	Price including freight charges
<b>KT-K 2,5, painted</b>	A	1247,-	254,-	1501,-
<b>KT-K 2,5, hot-dip galvanized</b>	A	1567,-	254,-	1821,-
<b>KT-K 5,0, painted</b>	A	1570,-	254,-	1824,-
<b>KT-K 5,0, hot-dip galvanized</b>	A	2021,-	254,-	2275,-
Barrow Tipper Type KW-ET	Category	Price	Freight charges	Price including freight charges
<b>KW-ET 250, painted</b>	E	568,-	173,-	741,-

Prices in EUR, valid EXW DE-46354 Südlohn, DE-38820 Halberstadt, unpacked  
Freight charges valid CPT Norway, islands and oversea territories excluded

# Price List 0424 en-NO

## Forklift Truck Attachments



Barrow Tipper Type KW-ET	Category	Price	Freight charges	Price including freight charges
Lid, galvanized	E	131,-	15,-	146,-
<b>KW-ET 250, hot-dip galvanized</b>	E	869,-	173,-	1042,-
Lid, galvanized	E	131,-	15,-	146,-
<b>KW-ET 400, painted</b>	E	626,-	173,-	799,-
Lid, galvanized	E	150,-	16,-	166,-
<b>KW-ET 400, hot-dip galvanized</b>	E	964,-	173,-	1137,-
Lid, galvanized	E	150,-	16,-	166,-
<b>KW-ET 600, painted</b>	E	780,-	254,-	1034,-
Lid, galvanized	E	167,-	20,-	187,-
<b>KW-ET 600, hot-dip galvanized</b>	E	1126,-	254,-	1380,-
Lid, galvanized	E	167,-	20,-	187,-
<b>KW-ET 1000, painted</b>	E	963,-	254,-	1217,-
Lid, galvanized	E	186,-	22,-	208,-
<b>KW-ET 1000, hot-dip galvanized</b>	E	1537,-	254,-	1791,-
Lid, galvanized	E	186,-	22,-	208,-

Loading Arm Type LA	Category	Price	Freight charges	Price including freight charges
LA 1600-1,0, painted	A	523,-	173,-	696,-
LA 1600-1,0, hot-dip galvanized	A	561,-	173,-	734,-
LA 1600-2,5, painted	A	759,-	173,-	932,-
LA 1600-2,5, hot-dip galvanized	A	895,-	173,-	1068,-
LA 1600-5,0, painted	A	1094,-	254,-	1348,-
LA 1600-5,0, hot-dip galvanized	A	1280,-	254,-	1534,-
LA 2400-1,0, painted	A	549,-	173,-	722,-
LA 2400-1,0, hot-dip galvanized	A	610,-	173,-	783,-
LA 2400-2,5, painted	A	847,-	254,-	1101,-
LA 2400-2,5, hot-dip galvanized	A	982,-	254,-	1236,-
LA 2400-5,0, painted	A	1207,-	254,-	1461,-
LA 2400-5,0, hot-dip galvanized	A	1429,-	254,-	1683,-
LA 25-1,0, painted	A	610,-	173,-	783,-
LA 25-1,0, hot-dip galvanized	A	659,-	173,-	832,-

Loading Arm Type LAT	Category	Price	Freight charges	Price including freight charges
LAT 25-1,0, painted	A	740,-	173,-	913,-
LAT 25-1,0, hot-dip galvanized	A	809,-	173,-	982,-

Scissor Gripper Type LG	Category	Price	Freight charges	Price including freight charges
LG 60, painted	B	236,-	70,-	306,-
LG 60, galvanized	B	215,-	70,-	285,-
LG 200, painted	B	236,-	70,-	306,-
LG 200, galvanized	B	215,-	70,-	285,-

Container for Long Material Type LGK	Category	Price	Freight charges	Price including freight charges
<b>LGK, painted</b>	A	1329,-	254,-	1583,-
Castor Set, polyamide, Load capacity 1350 kg / castor set	A	185,-	15,-	200,-

Prices in EUR, valid EXW DE-46354 Südlohn, DE-38820 Halberstadt, unpacked  
 Freight charges valid CPT Norway, islands and oversea territories excluded

# Price List 0424 en-NO

## Forklift Truck Attachments



Container for Long Material Type LGK	Category	Price	Freight charges	Price including freight charges
LGK, hot-dip galvanized	A	1619,-	254,-	1873,-
Castor Set, polyamide, Load capacity 1350 kg / castor set	A	185,-	15,-	200,-

Long Material Carrier Type LGT	Category	Price	Freight charges	Price including freight charges
LGT 1,5, painted	A	1863,-	381,-	2244,-
LGT 1,5, hot-dip galvanized	A	2186,-	381,-	2567,-
LGT 2,5, painted	A	2090,-	on request	on request
LGT 2,5, hot-dip galvanized	A	2502,-	on request	on request
LGT 3,5, painted	A	2887,-	on request	on request
LGT 3,5, hot-dip galvanized	A	3545,-	on request	on request
LGT 4,5, painted	A	3190,-	on request	on request
LGT 4,5, hot-dip galvanized	A	3933,-	on request	on request

Drum Claw Type LGZ	Category	Price	Freight charges	Price including freight charges
LGZ 60, painted	B	217,-	70,-	287,-
LGZ 60, galvanized	B	203,-	70,-	273,-
LGZ 200, painted	B	217,-	70,-	287,-
LGZ 200, galvanized	B	203,-	70,-	273,-

Crane Hook Type LH	Category	Price	Freight charges	Price including freight charges
LH-I 1,0, painted	A	192,-	70,-	262,-
LH-I 1,0, hot-dip galvanized	A	215,-	70,-	285,-
LH-I 1,5, painted	A	210,-	70,-	280,-
LH-I 1,5, hot-dip galvanized	A	233,-	70,-	303,-
LH-I 2,0, painted	A	221,-	70,-	291,-
LH-I 2,0, hot-dip galvanized	A	245,-	70,-	315,-
LH-I 2,5, painted	A	246,-	70,-	316,-
LH-I 2,5, hot-dip galvanized	A	269,-	70,-	339,-
LH-I 3,0, painted	A	319,-	70,-	389,-
LH-I 3,0, hot-dip galvanized	A	343,-	70,-	413,-
LH-II 1,5, painted	A	317,-	70,-	387,-
LH-II 1,5, hot-dip galvanized	A	365,-	70,-	435,-
LH-II 2,5, painted	A	419,-	70,-	489,-
LH-II 2,5, hot-dip galvanized	A	498,-	70,-	568,-
LH-II 5,0, painted	A	695,-	173,-	868,-
LH-II 5,0, hot-dip galvanized	A	780,-	173,-	953,-
LH-II 7,5, painted	A	827,-	173,-	1000,-
LH-II 7,5, hot-dip galvanized	A	916,-	173,-	1089,-

Long Load Handler Type LSL	Category	Price	Freight charges	Price including freight charges
LSL, painted	A	1102,-	254,-	1356,-
LSL, hot-dip galvanized	A	1265,-	254,-	1519,-

Long Material Sidecar Type LSW	Category	Price	Freight charges	Price including freight charges
LSW 1,3, painted	A	920,-	173,-	1093,-

Prices in EUR, valid EXW DE-46354 Südlohn, DE-38820 Halberstadt, unpacked  
Freight charges valid CPT Norway, islands and oversea territories excluded

# Price List 0424 en-NO

## Forklift Truck Attachments



Long Material Sidecar Type LSW	Category	Price	Freight charges	Price including freight charges
LSW 1,3, hot-dip galvanized	A	982,-	254,-	1236,-
LSW 2,5, painted	A	1093,-	173,-	1266,-
LSW 2,5, hot-dip galvanized	A	1156,-	254,-	1410,-
Access Safety Platform Type MB-B	Category	Price	Freight charges	Price including freight charges
MB-B, painted	A	1048,-	254,-	1302,-
Castor Set, polyamide, Load capacity 1050 kg / castor set	A	131,-	15,-	146,-
Access Safety Platform Type MB-B/L	Category	Price	Freight charges	Price including freight charges
MB-B/L, painted	A	1230,-	254,-	1484,-
Castor Set, polyamide, Load capacity 1050 kg / castor set	A	131,-	15,-	146,-
Access Safety Platform Type MB-D	Category	Price	Freight charges	Price including freight charges
MB-D, painted	A	877,-	254,-	1131,-
Castor Set, polyamide, Load capacity 1050 kg / castor set	A	131,-	15,-	146,-
Access Safety Platform Type MB-D/L	Category	Price	Freight charges	Price including freight charges
MB-D/L, painted	A	1058,-	254,-	1312,-
Castor Set, polyamide, Load capacity 1050 kg / castor set	A	131,-	15,-	146,-
Access Safety Platform Type MB-F	Category	Price	Freight charges	Price including freight charges
MB-F, painted	A	1037,-	254,-	1291,-
Castor Set, polyamide, Load capacity 1050 kg / castor set	A	131,-	15,-	146,-
Access Safety Platform Type MB-II	Category	Price	Freight charges	Price including freight charges
MB-II, painted	A	960,-	254,-	1214,-
Castor Set, polyamide, Load capacity 1050 kg / castor set	A	131,-	15,-	146,-
MB-II, hot-dip galvanized	A	1131,-	254,-	1385,-
Castor Set, polyamide, Load capacity 1050 kg / castor set	A	131,-	15,-	146,-
Access Safety Platform Type MB-K-IV	Category	Price	Freight charges	Price including freight charges
MB-K-IV, painted	A	1943,-	304,-	2247,-
Access Safety Platform Type MB-ST	Category	Price	Freight charges	Price including freight charges
MB-ST, painted	A	2488,-	254,-	2742,-
Castor Set, polyamide, Load capacity 1050 kg / castor set	A	131,-	15,-	146,-
Access Safety Platform Type MB-ST/L	Category	Price	Freight charges	Price including freight charges
MB-ST/L, painted	A	2670,-	254,-	2924,-
Castor Set, polyamide, Load capacity 1050 kg / castor set	A	131,-	15,-	146,-
Access Safety Platform Type MB-ST/T	Category	Price	Freight charges	Price including freight charges
MB-ST/T, painted	A	2804,-	254,-	3058,-
Castor Set, polyamide, Load capacity 1050 kg / castor set	A	131,-	15,-	146,-

Prices in EUR, valid EXW DE-46354 Südlohn, DE-38820 Halberstadt, unpacked  
Freight charges valid CPT Norway, islands and oversea territories excluded

# Price List 0424 en-NO

## Forklift Truck Attachments



Access Safety Platform Type MB-ST/T/L	Category	Price	Freight charges	Price including freight charges
<b>MB-ST/T/L, painted</b>	A	2987,-	254,-	3241,-
Castor Set, polyamide, Load capacity 1050 kg / castor set	A	131,-	15,-	146,-

Mini Tilting Container Type MGU	Category	Price	Freight charges	Price including freight charges
<b>MGU 230, painted</b>	A	549,-	173,-	722,-
Lid, galvanized	A	126,-	18,-	144,-
Castor Set, polyamide, Load capacity 1050 kg / castor set	A	150,-	15,-	165,-
Skip Body Welded Oil and Watertight	A	75,-	0,-	75,-
<b>MGU 230, hot-dip galvanized</b>	A	632,-	254,-	886,-
Lid, galvanized	A	126,-	18,-	144,-
Castor Set, polyamide, Load capacity 1050 kg / castor set	A	150,-	15,-	165,-
Skip Body Welded Oil and Watertight	A	75,-	0,-	75,-
<b>MGU 270, painted</b>	A	600,-	254,-	854,-
Lid, galvanized	A	126,-	18,-	144,-
Castor Set, polyamide, Load capacity 1050 kg / castor set	A	150,-	15,-	165,-
Skip Body Welded Oil and Watertight	A	75,-	0,-	75,-
<b>MGU 270, hot-dip galvanized</b>	A	704,-	254,-	958,-
Lid, galvanized	A	126,-	18,-	144,-
Castor Set, polyamide, Load capacity 1050 kg / castor set	A	150,-	15,-	165,-
Skip Body Welded Oil and Watertight	A	75,-	0,-	75,-
<b>MGU 460, painted</b>	A	787,-	254,-	1041,-
Lid, galvanized	A	163,-	22,-	185,-
Castor Set, polyamide, Load capacity 1050 kg / castor set	A	150,-	15,-	165,-
Skip Body Welded Oil and Watertight	A	75,-	0,-	75,-
<b>MGU 460, hot-dip galvanized</b>	A	934,-	254,-	1188,-
Lid, galvanized	A	163,-	22,-	185,-
Castor Set, polyamide, Load capacity 1050 kg / castor set	A	150,-	15,-	165,-
Skip Body Welded Oil and Watertight	A	75,-	0,-	75,-
<b>MGU 610, painted</b>	A	887,-	254,-	1141,-
Lid, galvanized	A	174,-	26,-	200,-
Castor Set, polyamide, Load capacity 1050 kg / castor set	A	150,-	15,-	165,-
Skip Body Welded Oil and Watertight	A	75,-	0,-	75,-
<b>MGU 610, hot-dip galvanized</b>	A	1052,-	254,-	1306,-
Lid, galvanized	A	174,-	26,-	200,-
Castor Set, polyamide, Load capacity 1050 kg / castor set	A	150,-	15,-	165,-
Skip Body Welded Oil and Watertight	A	75,-	0,-	75,-

Wheelie Bin Jack Type MH	Category	Price	Freight charges	Price including freight charges
<b>MH-I, painted</b>	A	634,-	173,-	807,-
<b>MH-II, painted</b>	A	700,-	173,-	873,-
<b>MH-III, painted</b>	A	757,-	173,-	930,-

Wheelie Bin Tipper Type MK	Category	Price	Freight charges	Price including freight charges
<b>MK 120, painted</b>	A	1229,-	173,-	1402,-
<b>MK 240, painted</b>	A	1229,-	173,-	1402,-

Prices in EUR, valid EXW DE-46354 Südlohn, DE-38820 Halberstadt, unpacked  
 Freight charges valid CPT Norway, islands and oversea territories excluded

# Price List 0424 en-NO

## Forklift Truck Attachments



Wheeler Bin Tipper Type MK-H	Category	Price	Freight charges	Price including freight charges
MK-H 120, painted	A	1837,-	173,-	2010,-
MK-H 240, painted	A	1837,-	254,-	2091,-

Mini Container With Drop Away Base Type MSB	Category	Price	Freight charges	Price including freight charges
<b>MSB 150, painted</b>	A	614,-	173,-	787,-
Castor Set, polyamide, Load capacity 1050 kg / castor set	A	150,-	15,-	165,-
Guiding Plates, galvanized	A	70,-	12,-	82,-
<b>MSB 150, hot-dip galvanized</b>	A	720,-	173,-	893,-
Castor Set, polyamide, Load capacity 1050 kg / castor set	A	150,-	15,-	165,-
Guiding Plates, galvanized	A	70,-	12,-	82,-
<b>MSB 250, painted</b>	A	666,-	173,-	839,-
Castor Set, polyamide, Load capacity 1050 kg / castor set	A	150,-	15,-	165,-
Guiding Plates, galvanized	A	70,-	12,-	82,-
<b>MSB 250, hot-dip galvanized</b>	A	798,-	173,-	971,-
Castor Set, polyamide, Load capacity 1050 kg / castor set	A	150,-	15,-	165,-
Guiding Plates, galvanized	A	70,-	12,-	82,-
<b>MSB 400, painted</b>	A	821,-	254,-	1075,-
Castor Set, polyamide, Load capacity 1050 kg / castor set	A	150,-	15,-	165,-
Guiding Plates, galvanized	A	70,-	12,-	82,-
<b>MSB 400, hot-dip galvanized</b>	A	983,-	254,-	1237,-
Castor Set, polyamide, Load capacity 1050 kg / castor set	A	150,-	15,-	165,-
Guiding Plates, galvanized	A	70,-	12,-	82,-

Tilting Container Type NK	Category	Price	Freight charges	Price including freight charges
<b>NK 30, painted</b>	A	676,-	254,-	930,-
Lid, galvanized	A	94,-	15,-	109,-
Castor Set, polyamide, Load capacity 1350 kg / castor set	A	185,-	15,-	200,-
Skip Body Welded Oil and Watertight	A	75,-	0,-	75,-
<b>NK 30, hot-dip galvanized</b>	A	950,-	254,-	1204,-
Lid, galvanized	A	94,-	15,-	109,-
Castor Set, polyamide, Load capacity 1350 kg / castor set	A	185,-	15,-	200,-
Skip Body Welded Oil and Watertight	A	75,-	0,-	75,-
<b>NK 50, painted</b>	A	950,-	254,-	1204,-
Lid, galvanized	A	94,-	18,-	112,-
Castor Set, polyamide, Load capacity 1350 kg / castor set	A	185,-	15,-	200,-
Skip Body Welded Oil and Watertight	A	75,-	0,-	75,-
<b>NK 50, hot-dip galvanized</b>	A	1282,-	254,-	1536,-
Lid, galvanized	A	94,-	18,-	112,-
Castor Set, polyamide, Load capacity 1350 kg / castor set	A	185,-	15,-	200,-
Skip Body Welded Oil and Watertight	A	75,-	0,-	75,-
<b>NK 75, painted</b>	A	1077,-	381,-	1458,-
Lid, galvanized	A	137,-	22,-	159,-
Castor Set, polyamide, Load capacity 1350 kg / castor set	A	185,-	15,-	200,-
Skip Body Welded Oil and Watertight	A	75,-	0,-	75,-
<b>NK 75, hot-dip galvanized</b>	A	1684,-	381,-	2065,-

Prices in EUR, valid EXW DE-46354 Südlohn, DE-38820 Halberstadt, unpacked  
 Freight charges valid CPT Norway, islands and oversea territories excluded



# Price List 0424 en-NO

## Forklift Truck Attachments



Tilting Container Type NK	Category	Price	Freight charges	Price including freight charges
Lid, galvanized	A	137,-	22,-	159,-
Castor Set, polyamide, Load capacity 1350 kg / castor set	A	185,-	15,-	200,-
Skip Body Welded Oil and Watertight	A	75,-	0,-	75,-
<b>NK 100, painted</b>	A	1457,-	381,-	1838,-
Lid, galvanized	A	167,-	27,-	194,-
Castor Set, polyamide, Load capacity 1350 kg / castor set	A	185,-	15,-	200,-
Skip Body Welded Oil and Watertight	A	116,-	0,-	116,-
<b>NK 100, hot-dip galvanized</b>	A	2000,-	381,-	2381,-
Lid, galvanized	A	167,-	27,-	194,-
Castor Set, polyamide, Load capacity 1350 kg / castor set	A	185,-	15,-	200,-
Skip Body Welded Oil and Watertight	A	116,-	0,-	116,-
Cylindrical Container Type RB	Category	Price	Freight charges	Price including freight charges
<b>RB 300, painted</b>	A	656,-	173,-	829,-
Lid, aluminium	A	154,-	14,-	168,-
Castor Set, polyamide, Load capacity 1050 kg / castor set	A	150,-	15,-	165,-
<b>RB 300, hot-dip galvanized</b>	A	763,-	173,-	936,-
Lid, aluminium	A	154,-	14,-	168,-
Castor Set, polyamide, Load capacity 1050 kg / castor set	A	150,-	15,-	165,-
<b>RB 450, painted</b>	A	766,-	173,-	939,-
Lid, aluminium	A	154,-	14,-	168,-
Castor Set, polyamide, Load capacity 1050 kg / castor set	A	150,-	15,-	165,-
<b>RB 450, hot-dip galvanized</b>	A	895,-	173,-	1068,-
Lid, aluminium	A	154,-	14,-	168,-
Castor Set, polyamide, Load capacity 1050 kg / castor set	A	150,-	15,-	165,-
Tilting Container Type RD	Category	Price	Freight charges	Price including freight charges
<b>RD 750, painted</b>	A	1161,-	381,-	1542,-
Castor Set, polyamide, Load capacity 1350 kg / castor set	A	185,-	15,-	200,-
Skip Body Welded Oil and Watertight	A	75,-	0,-	75,-
<b>RD 750, hot-dip galvanized</b>	A	1547,-	381,-	1928,-
Castor Set, polyamide, Load capacity 1350 kg / castor set	A	185,-	15,-	200,-
Skip Body Welded Oil and Watertight	A	75,-	0,-	75,-
<b>RD 1000, painted</b>	A	1400,-	381,-	1781,-
Castor Set, polyamide, Load capacity 1350 kg / castor set	A	185,-	15,-	200,-
Skip Body Welded Oil and Watertight	A	116,-	0,-	116,-
<b>RD 1000, hot-dip galvanized</b>	A	1867,-	381,-	2248,-
Castor Set, polyamide, Load capacity 1350 kg / castor set	A	185,-	15,-	200,-
Skip Body Welded Oil and Watertight	A	116,-	0,-	116,-
Platform for Off-Cuts Type RGP	Category	Price	Freight charges	Price including freight charges
<b>RGP-1, painted</b>	A	2354,-	on request	on request
<b>RGP-1, hot-dip galvanized</b>	A	3012,-	on request	on request
<b>RGP-2, painted</b>	A	2578,-	on request	on request
<b>RGP-2, hot-dip galvanized</b>	A	3437,-	on request	on request

Prices in EUR, valid EXW DE-46354 Südlohn, DE-38820 Halberstadt, unpacked  
Freight charges valid CPT Norway, islands and oversea territories excluded

# Price List 0424 en-NO

## Forklift Truck Attachments



Platform for Off-Cuts Type RGP	Category	Price	Freight charges	Price including freight charges
RGP-3, painted	A	2808,-	on request	on request
RGP-3, hot-dip galvanized	A	3783,-	on request	on request
Shunting Aid Type RH	Category	Price	Freight charges	Price including freight charges
RH, painted	A	411,-	70,-	481,-
Shunting Aid Type RH-AC	Category	Price	Freight charges	Price including freight charges
RH-AC, painted	A	2227,-	381,-	2608,-
Shunting Aid Type RH-RA	Category	Price	Freight charges	Price including freight charges
RH-RA, painted	A	1532,-	173,-	1705,-
Shunting Aid Type RH-RAK	Category	Price	Freight charges	Price including freight charges
RH-RAK, painted	A	1633,-	173,-	1806,-
Shunting Aid Type RH-RM	Category	Price	Freight charges	Price including freight charges
RH-RM, painted	A	1138,-	173,-	1311,-
Shunting Aid Type RH-RMK	Category	Price	Freight charges	Price including freight charges
RH-RMK, painted	A	1241,-	173,-	1414,-
Drum Lifter Type RS 60	Category	Price	Freight charges	Price including freight charges
RS 60-I, painted	B	978,-	173,-	1151,-
RS 60-I, hot-dip galvanized	B	1039,-	173,-	1212,-
RS 60-II, painted	B	1655,-	173,-	1828,-
RS 60-II, hot-dip galvanized	B	1737,-	173,-	1910,-
Drum Lifter Type RS	Category	Price	Freight charges	Price including freight charges
RS-I/91, painted	B	1643,-	254,-	1897,-
RS-I/91, hot-dip galvanized	B	1879,-	254,-	2133,-
RS-II/91, painted	B	2848,-	254,-	3102,-
RS-II/91, hot-dip galvanized	B	3207,-	254,-	3461,-
RS-I/M, painted	B	1503,-	173,-	1676,-
RS-I/M, hot-dip galvanized	B	1737,-	254,-	1991,-
RS-II/M, painted	B	2572,-	254,-	2826,-
RS-II/M, hot-dip galvanized	B	2927,-	254,-	3181,-
Drum Lifter Type RS/D 91	Category	Price	Freight charges	Price including freight charges
RS-I/D 91, painted	B	1437,-	254,-	1691,-
RS-I/D 91, hot-dip galvanized	B	1671,-	254,-	1925,-
RS-II/D 91, painted	B	2435,-	254,-	2689,-
RS-II/D 91, hot-dip galvanized	B	2789,-	254,-	3043,-

Prices in EUR, valid EXW DE-46354 Südlohn, DE-38820 Halberstadt, unpacked  
Freight charges valid CPT Norway, islands and oversea territories excluded

# Price List 0424 en-NO

## Forklift Truck Attachments



<b>Swarf Tilting Container Type S3S</b>	<b>Category</b>	<b>Price</b>	<b>Freight charges</b>	<b>Price including freight charges</b>
<b>S3S 300, painted</b>	A	1311,-	254,-	1565,-
Lid, galvanized	A	168,-	18,-	186,-
Castor Set, polyamide, Load capacity 1050 kg / castor set	A	131,-	15,-	146,-
<b>S3S 300, hot-dip galvanized</b>	A	1404,-	381,-	1785,-
Lid, galvanized	A	168,-	18,-	186,-
Castor Set, polyamide, Load capacity 1050 kg / castor set	A	131,-	15,-	146,-
<b>S3S 600, painted</b>	A	1365,-	381,-	1746,-
Lid, galvanized	A	189,-	22,-	211,-
Castor Set, polyamide, Load capacity 1050 kg / castor set	A	131,-	15,-	146,-
<b>S3S 600, hot-dip galvanized</b>	A	1462,-	381,-	1843,-
Lid, galvanized	A	189,-	22,-	211,-
Castor Set, polyamide, Load capacity 1050 kg / castor set	A	131,-	15,-	146,-
<b>Swarf Tilting Container Type S4A</b>	<b>Category</b>	<b>Price</b>	<b>Freight charges</b>	<b>Price including freight charges</b>
<b>S4A 600, painted</b>	A	1228,-	254,-	1482,-
Lid, galvanized	A	189,-	22,-	211,-
<b>S4A 600, hot-dip galvanized</b>	A	1370,-	254,-	1624,-
Lid, galvanized	A	189,-	22,-	211,-
<b>S4A 900, painted</b>	A	1360,-	381,-	1741,-
Lid, galvanized	A	215,-	27,-	242,-
<b>S4A 900, hot-dip galvanized</b>	A	1541,-	381,-	1922,-
Lid, galvanized	A	215,-	27,-	242,-
<b>S4A 1200, painted</b>	A	1446,-	381,-	1827,-
Lid, galvanized	A	215,-	26,-	241,-
<b>S4A 1200, hot-dip galvanized</b>	A	1671,-	381,-	2052,-
Lid, galvanized	A	215,-	26,-	241,-
<b>Container With Drop Away Base Type SB</b>	<b>Category</b>	<b>Price</b>	<b>Freight charges</b>	<b>Price including freight charges</b>
<b>SB 500, painted</b>	B	966,-	254,-	1220,-
Lid, galvanized	B	138,-	16,-	154,-
Castor Set, polyamide, Load capacity 1350 kg / castor set	A	185,-	15,-	200,-
Castor Set, polyamide, Load capacity 2550 kg / castor set	A	366,-	15,-	381,-
<b>SB 500, hot-dip galvanized</b>	B	1258,-	254,-	1512,-
Lid, galvanized	B	138,-	16,-	154,-
Castor Set, polyamide, Load capacity 1350 kg / castor set	A	185,-	15,-	200,-
Castor Set, polyamide, Load capacity 2550 kg / castor set	A	366,-	15,-	381,-
<b>SB 750, painted</b>	B	1057,-	254,-	1311,-
Lid, galvanized	B	138,-	16,-	154,-
Castor Set, polyamide, Load capacity 1350 kg / castor set	A	185,-	15,-	200,-
Castor Set, polyamide, Load capacity 2550 kg / castor set	A	366,-	15,-	381,-
<b>SB 750, hot-dip galvanized</b>	B	1468,-	381,-	1849,-
Lid, galvanized	B	138,-	16,-	154,-
Castor Set, polyamide, Load capacity 1350 kg / castor set	A	185,-	15,-	200,-
Castor Set, polyamide, Load capacity 2550 kg / castor set	A	366,-	15,-	381,-
<b>SB 1000, painted</b>	B	1251,-	381,-	1632,-

Prices in EUR, valid EXW DE-46354 Südlohn, DE-38820 Halberstadt, unpacked  
Freight charges valid CPT Norway, islands and oversea territories excluded

# Price List 0424 en-NO

## Forklift Truck Attachments



Container With Drop Away Base Type SB	Category	Price	Freight charges	Price including freight charges
Lid, galvanized	B	138,-	16,-	154,-
Castor Set, polyamide, Load capacity 1350 kg / castor set	A	185,-	15,-	200,-
Castor Set, polyamide, Load capacity 2550 kg / castor set	A	366,-	15,-	381,-
<b>SB 1000, hot-dip galvanized</b>	B	1740,-	381,-	2121,-
Lid, galvanized	B	138,-	16,-	154,-
Castor Set, polyamide, Load capacity 1350 kg / castor set	A	185,-	15,-	200,-
Castor Set, polyamide, Load capacity 2550 kg / castor set	A	366,-	15,-	381,-
<b>SB 1500, painted</b>	B	1695,-	381,-	2076,-
Lid, galvanized	B	245,-	21,-	266,-
Castor Set, polyamide, Load capacity 1350 kg / castor set	A	185,-	15,-	200,-
Castor Set, polyamide, Load capacity 2550 kg / castor set	A	366,-	15,-	381,-
<b>SB 1500, hot-dip galvanized</b>	B	2360,-	480,-	2840,-
Lid, galvanized	B	245,-	21,-	266,-
Castor Set, polyamide, Load capacity 1350 kg / castor set	A	185,-	15,-	200,-
Castor Set, polyamide, Load capacity 2550 kg / castor set	A	366,-	15,-	381,-
<b>SB 2000, painted</b>	B	1742,-	480,-	2222,-
Lid, galvanized	B	245,-	21,-	266,-
Castor Set, polyamide, Load capacity 1350 kg / castor set	A	185,-	15,-	200,-
Castor Set, polyamide, Load capacity 2550 kg / castor set	A	366,-	15,-	381,-
<b>SB 2000, hot-dip galvanized</b>	B	2493,-	480,-	2973,-
Lid, galvanized	B	245,-	21,-	266,-
Castor Set, polyamide, Load capacity 1350 kg / castor set	A	185,-	15,-	200,-
Castor Set, polyamide, Load capacity 2550 kg / castor set	A	366,-	15,-	381,-
<b>Collecting System Type SBS</b>	<b>Category</b>	<b>Price</b>	<b>Freight charges</b>	<b>Price including freight charges</b>
<b>SBS 500, painted</b>	C	385,-	254,-	639,-
Trolley TW 500, hot-dip galvanized	C	249,-	173,-	422,-
<b>SBS 500, hot-dip galvanized</b>	C	456,-	254,-	710,-
Trolley TW 500, hot-dip galvanized	C	249,-	173,-	422,-
<b>SBS 1000, painted</b>	C	491,-	254,-	745,-
Trolley TW 1000, hot-dip galvanized	C	286,-	173,-	459,-
<b>SBS 1000, hot-dip galvanized</b>	C	604,-	381,-	985,-
Trolley TW 1000, hot-dip galvanized	C	286,-	173,-	459,-
<b>SBS 2000, painted</b>	C	779,-	431,-	1210,-
Trolley TW 2000, hot-dip galvanized	C	487,-	173,-	660,-
<b>SBS 2000, hot-dip galvanized</b>	C	935,-	431,-	1366,-
Trolley TW 2000, hot-dip galvanized	C	487,-	173,-	660,-
<b>Filling Hopper Type SBT</b>	<b>Category</b>	<b>Price</b>	<b>Freight charges</b>	<b>Price including freight charges</b>
<b>SBT, painted</b>	A	1614,-	381,-	1995,-
<b>Snowdozer Type SCH-F</b>	<b>Category</b>	<b>Price</b>	<b>Freight charges</b>	<b>Price including freight charges</b>
<b>SCH-F 150, painted</b>	A	2157,-	381,-	2538,-
<b>SCH-F 180, painted</b>	A	2422,-	381,-	2803,-
<b>SCH-F 210, painted</b>	A	2722,-	381,-	3103,-

Prices in EUR, valid EXW DE-46354 Südlohn, DE-38820 Halberstadt, unpacked  
 Freight charges valid CPT Norway, islands and oversea territories excluded

# Price List 0424 en-NO

## Forklift Truck Attachments



Snowdozer Type SCH-F	Category	Price	Freight charges	Price including freight charges
SCH-F 240, painted	A	2990,-	530,-	3520,-
Snowdozer Type SCH-G	Category	Price	Freight charges	Price including freight charges
SCH-G 150, painted	A	1530,-	254,-	1784,-
SCH-G 180, painted	A	1671,-	254,-	1925,-
SCH-G 210, painted	A	1930,-	381,-	2311,-
SCH-G 240, painted	A	2086,-	431,-	2517,-
Snowdozer Type SCH-L	Category	Price	Freight charges	Price including freight charges
SCH-L 1500, painted	A	1142,-	254,-	1396,-
SCH-L 1500, hot-dip galvanized	A	1265,-	254,-	1519,-
SCH-L 1800, painted	A	1333,-	254,-	1587,-
SCH-L 1800, hot-dip galvanized	A	1480,-	254,-	1734,-
Snow Plough Type SCH-P-G	Category	Price	Freight charges	Price including freight charges
SCH-P-G 150, painted	A	2408,-	381,-	2789,-
SCH-P-G 180, painted	A	2586,-	381,-	2967,-
SCH-P-G 210, painted	A	2772,-	381,-	3153,-
SCH-P-G 240, painted	A	3292,-	431,-	3723,-
Snow Plough Type SCH-P-S	Category	Price	Freight charges	Price including freight charges
SCH-P-S 150, painted	A	2239,-	381,-	2620,-
SCH-P-S 180, painted	A	2392,-	381,-	2773,-
SCH-P-S 210, painted	A	2540,-	381,-	2921,-
SCH-P-S 240, painted	A	3022,-	431,-	3453,-
Snow Plough Type SCH-P-V	Category	Price	Freight charges	Price including freight charges
SCH-P-V 150, painted	A	2590,-	381,-	2971,-
SCH-P-V 180, painted	A	2849,-	381,-	3230,-
SCH-P-V 210, painted	A	3091,-	381,-	3472,-
SCH-P-V 240, painted	A	3614,-	431,-	4045,-
Snowdozer Type SCH-S	Category	Price	Freight charges	Price including freight charges
SCH-S 150, painted	A	1359,-	254,-	1613,-
SCH-S 180, painted	A	1476,-	254,-	1730,-
SCH-S 210, painted	A	1700,-	381,-	2081,-
SCH-S 240, painted	A	1816,-	431,-	2247,-
Snow Plough Type SCH-U-G	Category	Price	Freight charges	Price including freight charges
SCH-U-G 150, painted	A	2408,-	381,-	2789,-
SCH-U-G 180, painted	A	2586,-	381,-	2967,-
SCH-U-G 210, painted	A	2772,-	381,-	3153,-
SCH-U-G 240, painted	A	3292,-	431,-	3723,-

Prices in EUR, valid EXW DE-46354 Südlohn, DE-38820 Halberstadt, unpacked  
Freight charges valid CPT Norway, islands and oversea territories excluded

# Price List 0424 en-NO

## Forklift Truck Attachments



Snow Plough Type SCH-U-S	Category	Price	Freight charges	Price including freight charges
SCH-U-S 150, painted	A	2239,-	381,-	2620,-
SCH-U-S 180, painted	A	2392,-	381,-	2773,-
SCH-U-S 210, painted	A	2540,-	381,-	2921,-
SCH-U-S 240, painted	A	3022,-	431,-	3453,-

Snow Plough Type SCH-U-V	Category	Price	Freight charges	Price including freight charges
SCH-U-V 150, painted	A	2590,-	381,-	2971,-
SCH-U-V 180, painted	A	2849,-	381,-	3230,-
SCH-U-V 210, painted	A	3091,-	381,-	3472,-
SCH-U-V 240, painted	A	3614,-	431,-	4045,-

Snowdozer Type SCH-V	Category	Price	Freight charges	Price including freight charges
SCH-V 150, painted	A	1709,-	254,-	1963,-
SCH-V 180, painted	A	1923,-	254,-	2177,-
SCH-V 210, painted	A	2252,-	381,-	2633,-
SCH-V 240, painted	A	2407,-	431,-	2838,-

Silo Container Type SG	Category	Price	Freight charges	Price including freight charges
SG 375, painted	E	979,-	254,-	1233,-
Lid, galvanized	E	126,-	28,-	154,-
SG 375, hot-dip galvanized	E	1700,-	254,-	1954,-
Lid, galvanized	E	126,-	28,-	154,-
SG 600, painted	E	1168,-	254,-	1422,-
Lid, galvanized	E	126,-	28,-	154,-
SG 600, hot-dip galvanized	E	1885,-	254,-	2139,-
Lid, galvanized	E	126,-	28,-	154,-

Silo Container Type SG-D	Category	Price	Freight charges	Price including freight charges
SG-D 375, painted	E	979,-	173,-	1152,-
Lid, galvanized	E	126,-	28,-	154,-
SG-D 375, hot-dip galvanized	E	1700,-	254,-	1954,-
Lid, galvanized	E	126,-	28,-	154,-
SG-D 600, painted	E	1168,-	254,-	1422,-
Lid, galvanized	E	126,-	28,-	154,-
SG-D 600, hot-dip galvanized	E	1885,-	254,-	2139,-
Lid, galvanized	E	126,-	28,-	154,-

Silo Container Type SGK	Category	Price	Freight charges	Price including freight charges
SGK 50, painted	A	1077,-	254,-	1331,-
SGK 50, hot-dip galvanized	A	1103,-	254,-	1357,-
SGK 75, painted	A	1172,-	254,-	1426,-
SGK 75, hot-dip galvanized	A	1208,-	254,-	1462,-
SGK 100, painted	A	1282,-	254,-	1536,-
SGK 100, hot-dip galvanized	A	1320,-	254,-	1574,-

Prices in EUR, valid EXW DE-46354 Südlohn, DE-38820 Halberstadt, unpacked  
Freight charges valid CPT Norway, islands and oversea territories excluded

# Price List 0424 en-NO

## Forklift Truck Attachments



Silo Container Type SGS	Category	Price	Freight charges	Price including freight charges
SGS 50, painted	A	855,-	173,-	1028,-
SGS 50, hot-dip galvanized	A	871,-	254,-	1125,-
SGS 75, painted	A	948,-	254,-	1202,-
SGS 75, hot-dip galvanized	A	980,-	254,-	1234,-
SGS 100, painted	A	1041,-	254,-	1295,-
SGS 100, hot-dip galvanized	A	1072,-	254,-	1326,-
Swarf Tilting Container Type SGU	Category	Price	Freight charges	Price including freight charges
<b>SGU 30, painted</b>	A	908,-	254,-	1162,-
Lid, galvanized	A	94,-	18,-	112,-
Castor Set, polyamide, Load capacity 1350 kg / castor set	A	185,-	15,-	200,-
Crane lifting eyes for use with a crane	A	102,-	8,-	110,-
Support legs, 100 mm ground leeway	A	67,-	8,-	75,-
<b>SGU 30, hot-dip galvanized</b>	A	1079,-	254,-	1333,-
Lid, galvanized	A	94,-	18,-	112,-
Castor Set, polyamide, Load capacity 1350 kg / castor set	A	185,-	15,-	200,-
Crane lifting eyes for use with a crane	A	102,-	8,-	110,-
Support legs, 100 mm ground leeway	A	67,-	8,-	75,-
<b>SGU 50, painted</b>	A	1123,-	254,-	1377,-
Lid, galvanized	A	94,-	18,-	112,-
Castor Set, polyamide, Load capacity 1350 kg / castor set	A	185,-	15,-	200,-
Adjustable dumping brake	A	448,-	10,-	458,-
Crane lifting eyes for use with a crane	A	102,-	8,-	110,-
Support legs, 100 mm ground leeway	A	67,-	8,-	75,-
<b>SGU 50, hot-dip galvanized</b>	A	1359,-	254,-	1613,-
Lid, galvanized	A	94,-	18,-	112,-
Castor Set, polyamide, Load capacity 1350 kg / castor set	A	185,-	15,-	200,-
Adjustable dumping brake	A	448,-	10,-	458,-
Crane lifting eyes for use with a crane	A	102,-	8,-	110,-
Support legs, 100 mm ground leeway	A	67,-	8,-	75,-
<b>SGU 75, painted</b>	A	1267,-	254,-	1521,-
Lid, galvanized	A	134,-	26,-	160,-
Castor Set, polyamide, Load capacity 1350 kg / castor set	A	185,-	15,-	200,-
Adjustable dumping brake	A	448,-	10,-	458,-
Crane lifting eyes for use with a crane	A	102,-	8,-	110,-
Support legs, 100 mm ground leeway	A	67,-	8,-	75,-
<b>SGU 75, hot-dip galvanized</b>	A	1568,-	254,-	1822,-
Lid, galvanized	A	134,-	26,-	160,-
Castor Set, polyamide, Load capacity 1350 kg / castor set	A	185,-	15,-	200,-
Adjustable dumping brake	A	448,-	10,-	458,-
Crane lifting eyes for use with a crane	A	102,-	8,-	110,-
Support legs, 100 mm ground leeway	A	67,-	8,-	75,-
<b>SGU 100, painted</b>	A	1517,-	381,-	1898,-
Lid, galvanized	A	185,-	27,-	212,-
Castor Set, polyamide, Load capacity 1350 kg / castor set	A	185,-	15,-	200,-
Adjustable dumping brake	A	448,-	10,-	458,-

Prices in EUR, valid EXW DE-46354 Südlohn, DE-38820 Halberstadt, unpacked  
Freight charges valid CPT Norway, islands and oversea territories excluded

# Price List 0424 en-NO

## Forklift Truck Attachments



<b>Swarf Tilting Container Type SGU</b>	<b>Category</b>	<b>Price</b>	<b>Freight charges</b>	<b>Price including freight charges</b>
Crane lifting eyes for use with a crane	A	102,-	8,-	110,-
Support legs, 100 mm ground leeway	A	67,-	8,-	75,-
<b>SGU 100, hot-dip galvanized</b>	A	2048,-	381,-	2429,-
Lid, galvanized	A	185,-	27,-	212,-
Castor Set, polyamide, Load capacity 1350 kg / castor set	A	185,-	15,-	200,-
Adjustable dumping brake	A	448,-	10,-	458,-
Crane lifting eyes for use with a crane	A	102,-	8,-	110,-
Support legs, 100 mm ground leeway	A	67,-	8,-	75,-
<b>SGU 150, painted</b>	A	1704,-	381,-	2085,-
Lid, galvanized	A	185,-	27,-	212,-
Castor Set, polyamide, Load capacity 1350 kg / castor set	A	185,-	15,-	200,-
Adjustable dumping brake	A	448,-	10,-	458,-
Crane lifting eyes for use with a crane	A	102,-	8,-	110,-
Support legs, 100 mm ground leeway	A	67,-	8,-	75,-
<b>SGU 150, hot-dip galvanized</b>	A	2166,-	381,-	2547,-
Lid, galvanized	A	185,-	27,-	212,-
Castor Set, polyamide, Load capacity 1350 kg / castor set	A	185,-	15,-	200,-
Adjustable dumping brake	A	448,-	10,-	458,-
Crane lifting eyes for use with a crane	A	102,-	8,-	110,-
Support legs, 100 mm ground leeway	A	67,-	8,-	75,-
<b>SGU 200, painted</b>	A	2140,-	480,-	2620,-
Lid, galvanized	A	218,-	32,-	250,-
Castor Set, polyamide, Load capacity 1350 kg / castor set	A	185,-	15,-	200,-
Adjustable dumping brake	A	448,-	10,-	458,-
Crane lifting eyes for use with a crane	A	102,-	8,-	110,-
Support legs, 100 mm ground leeway	A	67,-	8,-	75,-
<b>SGU 200, hot-dip galvanized</b>	A	2685,-	480,-	3165,-
Castor Set, polyamide, Load capacity 1350 kg / castor set	A	185,-	15,-	200,-
Lid, galvanized	A	218,-	32,-	250,-
Adjustable dumping brake	A	448,-	10,-	458,-
Crane lifting eyes for use with a crane	A	102,-	8,-	110,-
Support legs, 100 mm ground leeway	A	67,-	8,-	75,-
<b>Swarf Tilting Container Type SGU-RZ</b>	<b>Category</b>	<b>Price</b>	<b>Freight charges</b>	<b>Price including freight charges</b>
<b>SGU-RZ 30, painted</b>	A	939,-	254,-	1193,-
Lid, galvanized	A	91,-	18,-	109,-
<b>SGU-RZ 30, hot-dip galvanized</b>	A	1059,-	254,-	1313,-
Lid, galvanized	A	91,-	18,-	109,-
<b>SGU-RZ 55, painted</b>	A	1161,-	254,-	1415,-
Lid, galvanized	A	91,-	18,-	109,-
<b>SGU-RZ 55, hot-dip galvanized</b>	A	1269,-	254,-	1523,-
Lid, galvanized	A	91,-	18,-	109,-
<b>Gritter Type SH</b>	<b>Category</b>	<b>Price</b>	<b>Freight charges</b>	<b>Price including freight charges</b>
<b>SH, painted</b>	A	3448,-	254,-	3702,-

Prices in EUR, valid EXW DE-46354 Südlohn, DE-38820 Halberstadt, unpacked  
Freight charges valid CPT Norway, islands and oversea territories excluded



# Price List 0424 en-NO

## Forklift Truck Attachments



<b>Gritter Type SH</b>	<b>Category</b>	<b>Price</b>	<b>Freight charges</b>	<b>Price including freight charges</b>
Tarpaulin	A	117,-	10,-	127,-
<b>Forklift Safety Cage Type SIKO</b>	<b>Category</b>	<b>Price</b>	<b>Freight charges</b>	<b>Price including freight charges</b>
<b>SIKO, painted</b>	A	701,-	173,-	874,-
Castor Set, polyamide, Load capacity 1050 kg / castor set	A	131,-	15,-	146,-
<b>Forklift Safety Cage Type SIKO/L</b>	<b>Category</b>	<b>Price</b>	<b>Freight charges</b>	<b>Price including freight charges</b>
<b>SIKO/L, painted</b>	A	848,-	173,-	1021,-
Castor Set, polyamide, Load capacity 1050 kg / castor set	A	131,-	15,-	146,-
<b>Forklift Safety Cage Type SIKO-G</b>	<b>Category</b>	<b>Price</b>	<b>Freight charges</b>	<b>Price including freight charges</b>
<b>SIKO-G, painted</b>	A	634,-	173,-	807,-
<b>Forklift Safety Cage Type SIKO-M</b>	<b>Category</b>	<b>Price</b>	<b>Freight charges</b>	<b>Price including freight charges</b>
<b>SIKO-M, painted</b>	A	511,-	173,-	684,-
<b>Heavy Duty Tilting Container Type SK</b>	<b>Category</b>	<b>Price</b>	<b>Freight charges</b>	<b>Price including freight charges</b>
<b>SK 300, painted</b>	A	1237,-	381,-	1618,-
Lid, galvanized	A	168,-	18,-	186,-
Castor Set, polyamide, Load capacity 2550 kg / castor set	A	366,-	15,-	381,-
Skip Body Welded Oil and Watertight	A	75,-	0,-	75,-
<b>SK 300, hot-dip galvanized</b>	A	1502,-	381,-	1883,-
Lid, galvanized	A	168,-	18,-	186,-
Castor Set, polyamide, Load capacity 2550 kg / castor set	A	366,-	15,-	381,-
Skip Body Welded Oil and Watertight	A	75,-	0,-	75,-
<b>SK 600, painted</b>	A	1339,-	381,-	1720,-
Lid, galvanized	A	189,-	22,-	211,-
Castor Set, polyamide, Load capacity 2550 kg / castor set	A	366,-	15,-	381,-
Skip Body Welded Oil and Watertight	A	75,-	0,-	75,-
<b>SK 600, hot-dip galvanized</b>	A	1665,-	480,-	2145,-
Lid, galvanized	A	189,-	22,-	211,-
Castor Set, polyamide, Load capacity 2550 kg / castor set	A	366,-	15,-	381,-
Skip Body Welded Oil and Watertight	A	75,-	0,-	75,-
<b>SK 900, painted</b>	A	1458,-	480,-	1938,-
Lid, galvanized	A	215,-	27,-	242,-
Castor Set, polyamide, Load capacity 2550 kg / castor set	A	366,-	15,-	381,-
Skip Body Welded Oil and Watertight	A	75,-	0,-	75,-
<b>SK 900, hot-dip galvanized</b>	A	1875,-	480,-	2355,-
Lid, galvanized	A	215,-	27,-	242,-
Castor Set, polyamide, Load capacity 2550 kg / castor set	A	366,-	15,-	381,-
Skip Body Welded Oil and Watertight	A	75,-	0,-	75,-
<b>SK 1200, painted</b>	A	1710,-	480,-	2190,-
Lid, galvanized	A	215,-	26,-	241,-
Castor Set, polyamide, Load capacity 2550 kg / castor set	A	366,-	15,-	381,-
Skip Body Welded Oil and Watertight	A	116,-	0,-	116,-

Prices in EUR, valid EXW DE-46354 Südlohn, DE-38820 Halberstadt, unpacked  
Freight charges valid CPT Norway, islands and oversea territories excluded

# Price List 0424 en-NO

## Forklift Truck Attachments



Heavy Duty Tilting Container Type SK	Category	Price	Freight charges	Price including freight charges
<b>SK 1200, hot-dip galvanized</b>	A	2200,-	650,-	2850,-
Lid, galvanized	A	215,-	26,-	241,-
Castor Set, polyamide, Load capacity 2550 kg / castor set	A	366,-	15,-	381,-
Skip Body Welded Oil and Watertight	A	116,-	0,-	116,-
<b>SK 1700, painted</b>	A	1799,-	650,-	2449,-
Lid, galvanized	A	266,-	33,-	299,-
Castor Set, polyamide, Load capacity 2550 kg / castor set	A	366,-	15,-	381,-
Skip Body Welded Oil and Watertight	A	116,-	0,-	116,-
<b>SK 1700, hot-dip galvanized</b>	A	2407,-	650,-	3057,-
Lid, galvanized	A	266,-	33,-	299,-
Castor Set, polyamide, Load capacity 2550 kg / castor set	A	366,-	15,-	381,-
Skip Body Welded Oil and Watertight	A	116,-	0,-	116,-
<b>SK 2100, painted</b>	A	1963,-	650,-	2613,-
Lid, galvanized	A	347,-	36,-	383,-
Castor Set, polyamide, Load capacity 2550 kg / castor set	A	366,-	15,-	381,-
Skip Body Welded Oil and Watertight	A	116,-	0,-	116,-
<b>SK 2100, hot-dip galvanized</b>	A	2646,-	650,-	3296,-
Lid, galvanized	A	347,-	36,-	383,-
Castor Set, polyamide, Load capacity 2550 kg / castor set	A	366,-	15,-	381,-
Skip Body Welded Oil and Watertight	A	116,-	0,-	116,-
<b>Broom Type SKB</b>	<b>Category</b>	<b>Price</b>	<b>Freight charges</b>	<b>Price including freight charges</b>
<b>SKB 100, painted</b>	A	925,-	173,-	1098,-
<b>SKB 150, painted</b>	A	1156,-	173,-	1329,-
<b>SKB 200, painted</b>	A	1425,-	173,-	1598,-
<b>Broom Type SKB-0</b>	<b>Category</b>	<b>Price</b>	<b>Freight charges</b>	<b>Price including freight charges</b>
<b>SKB-0 100, painted</b>	A	635,-	173,-	808,-
<b>SKB-0 150, painted</b>	A	867,-	173,-	1040,-
<b>SKB-0 200, painted</b>	A	1136,-	173,-	1309,-
<b>Swarf Tipping Skip Type SKK</b>	<b>Category</b>	<b>Price</b>	<b>Freight charges</b>	<b>Price including freight charges</b>
<b>SKK 250, painted</b>	E	515,-	173,-	688,-
Lid, galvanized	E	131,-	15,-	146,-
Castor Set, polyamide, Load capacity 1050 kg / castor set	A	131,-	15,-	146,-
Castor Set, solid rubber, Load capacity 615 kg / castor set	E	99,-	15,-	114,-
<b>SKK 250, hot-dip galvanized</b>	E	563,-	173,-	736,-
Lid, galvanized	E	131,-	15,-	146,-
Castor Set, polyamide, Load capacity 1050 kg / castor set	A	131,-	15,-	146,-
Castor Set, solid rubber, Load capacity 615 kg / castor set	E	99,-	15,-	114,-
<b>SKK 400, painted</b>	E	579,-	173,-	752,-
Lid, galvanized	E	150,-	16,-	166,-
Castor Set, polyamide, Load capacity 1050 kg / castor set	A	131,-	15,-	146,-
Castor Set, solid rubber, Load capacity 615 kg / castor set	E	99,-	15,-	114,-
<b>SKK 400, hot-dip galvanized</b>	E	627,-	173,-	800,-

Prices in EUR, valid EXW DE-46354 Südlohn, DE-38820 Halberstadt, unpacked  
Freight charges valid CPT Norway, islands and oversea territories excluded

# Price List 0424 en-NO

## Forklift Truck Attachments



<b>Swarf Tipping Skip Type SKK</b>	<b>Category</b>	<b>Price</b>	<b>Freight charges</b>	<b>Price including freight charges</b>
Lid, galvanized	E	150,-	16,-	166,-
Castor Set, polyamide, Load capacity 1050 kg / castor set	A	131,-	15,-	146,-
Castor Set, solid rubber, Load capacity 615 kg / castor set	E	99,-	15,-	114,-
<b>SKK 600, painted</b>	E	787,-	254,-	1041,-
Lid, galvanized	E	167,-	20,-	187,-
Castor Set, polyamide, Load capacity 1050 kg / castor set	A	131,-	15,-	146,-
Castor Set, solid rubber, Load capacity 615 kg / castor set	E	99,-	15,-	114,-
<b>SKK 600, hot-dip galvanized</b>	E	883,-	254,-	1137,-
Lid, galvanized	E	167,-	20,-	187,-
Castor Set, polyamide, Load capacity 1050 kg / castor set	A	131,-	15,-	146,-
Castor Set, solid rubber, Load capacity 615 kg / castor set	E	99,-	15,-	114,-
<b>SKK 800, painted</b>	E	842,-	254,-	1096,-
Lid, galvanized	E	174,-	21,-	195,-
Castor Set, polyamide, Load capacity 1050 kg / castor set	A	131,-	15,-	146,-
Castor Set, solid rubber, Load capacity 615 kg / castor set	E	99,-	15,-	114,-
<b>SKK 800, hot-dip galvanized</b>	E	946,-	254,-	1200,-
Lid, galvanized	E	174,-	21,-	195,-
Castor Set, polyamide, Load capacity 1050 kg / castor set	A	131,-	15,-	146,-
Castor Set, solid rubber, Load capacity 615 kg / castor set	E	99,-	15,-	114,-
<b>SKK 1000, painted</b>	E	898,-	254,-	1152,-
Lid, galvanized	E	186,-	22,-	208,-
Castor Set, polyamide, Load capacity 1050 kg / castor set	A	131,-	15,-	146,-
Castor Set, solid rubber, Load capacity 615 kg / castor set	E	99,-	15,-	114,-
<b>SKK 1000, hot-dip galvanized</b>	E	1027,-	254,-	1281,-
Lid, galvanized	E	186,-	22,-	208,-
Castor Set, polyamide, Load capacity 1050 kg / castor set	A	131,-	15,-	146,-
Castor Set, solid rubber, Load capacity 615 kg / castor set	E	99,-	15,-	114,-
<b>Swarf Tilting Container Type SKM</b>	<b>Category</b>	<b>Price</b>	<b>Freight charges</b>	<b>Price including freight charges</b>
<b>SKM 30, painted</b>	A	917,-	254,-	1171,-
Lid, galvanized	A	100,-	18,-	118,-
<b>SKM 30, hot-dip galvanized</b>	A	1109,-	254,-	1363,-
Lid, galvanized	A	100,-	18,-	118,-
<b>SKM 50, painted</b>	A	1178,-	254,-	1432,-
Lid, galvanized	A	152,-	28,-	180,-
<b>SKM 50, hot-dip galvanized</b>	A	1428,-	254,-	1682,-
Lid, galvanized	A	152,-	28,-	180,-
<b>SKM 75, painted</b>	A	1419,-	254,-	1673,-
Lid, galvanized	A	169,-	33,-	202,-
<b>SKM 75, hot-dip galvanized</b>	A	1729,-	381,-	2110,-
Lid, galvanized	A	169,-	33,-	202,-
<b>Swarf Tipping Skip Type SKN</b>	<b>Category</b>	<b>Price</b>	<b>Freight charges</b>	<b>Price including freight charges</b>
<b>SKN 250, painted</b>	E	515,-	173,-	688,-
Lid, galvanized	E	131,-	15,-	146,-

Prices in EUR, valid EXW DE-46354 Südlohn, DE-38820 Halberstadt, unpacked  
Freight charges valid CPT Norway, islands and oversea territories excluded

# Price List 0424 en-NO

## Forklift Truck Attachments



<b>Swarf Tipping Skip Type SKN</b>	<b>Category</b>	<b>Price</b>	<b>Freight charges</b>	<b>Price including freight charges</b>
Castor Set, polyamide, Load capacity 1050 kg / castor set	A	131,-	15,-	146,-
Castor Set, solid rubber, Load capacity 615 kg / castor set	E	99,-	15,-	114,-
<b>SKN 250, hot-dip galvanized</b>	E	563,-	173,-	736,-
Lid, galvanized	E	131,-	15,-	146,-
Castor Set, polyamide, Load capacity 1050 kg / castor set	A	131,-	15,-	146,-
Castor Set, solid rubber, Load capacity 615 kg / castor set	E	99,-	15,-	114,-
<b>SKN 400, painted</b>	E	579,-	173,-	752,-
Lid, galvanized	E	150,-	16,-	166,-
Castor Set, polyamide, Load capacity 1050 kg / castor set	A	131,-	15,-	146,-
Castor Set, solid rubber, Load capacity 615 kg / castor set	E	99,-	15,-	114,-
<b>SKN 400, hot-dip galvanized</b>	E	627,-	173,-	800,-
Lid, galvanized	E	150,-	16,-	166,-
Castor Set, polyamide, Load capacity 1050 kg / castor set	A	131,-	15,-	146,-
Castor Set, solid rubber, Load capacity 615 kg / castor set	E	99,-	15,-	114,-
<b>Swarf Tipping Skip Type SKS</b>	<b>Category</b>	<b>Price</b>	<b>Freight charges</b>	<b>Price including freight charges</b>
<b>SKS 400, painted</b>	E	914,-	254,-	1168,-
<b>SKS 550, painted</b>	E	978,-	254,-	1232,-
<b>SKS 700, painted</b>	E	1035,-	254,-	1289,-
<b>Swarf Barrow Tipper Type SKW-ET</b>	<b>Category</b>	<b>Price</b>	<b>Freight charges</b>	<b>Price including freight charges</b>
<b>SKW-ET 250, painted</b>	E	616,-	173,-	789,-
Lid, galvanized	E	131,-	15,-	146,-
<b>SKW-ET 250, hot-dip galvanized</b>	E	942,-	173,-	1115,-
Lid, galvanized	E	131,-	15,-	146,-
<b>SKW-ET 400, painted</b>	E	673,-	173,-	846,-
Lid, galvanized	E	150,-	16,-	166,-
<b>SKW-ET 400, hot-dip galvanized</b>	E	1034,-	173,-	1207,-
Lid, galvanized	E	150,-	16,-	166,-
<b>SKW-ET 600, painted</b>	E	822,-	254,-	1076,-
Lid, galvanized	E	167,-	20,-	187,-
<b>SKW-ET 600, hot-dip galvanized</b>	E	1191,-	254,-	1445,-
Lid, galvanized	E	167,-	20,-	187,-
<b>SKW-ET 1000, painted</b>	E	997,-	254,-	1251,-
Lid, galvanized	E	186,-	22,-	208,-
<b>SKW-ET 1000, hot-dip galvanized</b>	E	1587,-	254,-	1841,-
Lid, galvanized	E	186,-	22,-	208,-
<b>Mini Swarf Tilting Container Type SMGU</b>	<b>Category</b>	<b>Price</b>	<b>Freight charges</b>	<b>Price including freight charges</b>
<b>SMGU 230, painted</b>	A	665,-	173,-	838,-
Lid, galvanized	A	126,-	18,-	144,-
Castor Set, polyamide, Load capacity 1050 kg / castor set	A	150,-	15,-	165,-
<b>SMGU 230, hot-dip galvanized</b>	A	748,-	254,-	1002,-
Lid, galvanized	A	126,-	18,-	144,-
Castor Set, polyamide, Load capacity 1050 kg / castor set	A	150,-	15,-	165,-

Prices in EUR, valid EXW DE-46354 Südlohn, DE-38820 Halberstadt, unpacked  
Freight charges valid CPT Norway, islands and oversea territories excluded

# Price List 0424 en-NO

## Forklift Truck Attachments



Mini Swarf Tilting Container Type SMGU	Category	Price	Freight charges	Price including freight charges
<b>SMGU 270, painted</b>	A	718,-	254,-	972,-
Lid, galvanized	A	126,-	18,-	144,-
Castor Set, polyamide, Load capacity 1050 kg / castor set	A	150,-	15,-	165,-
<b>SMGU 270, hot-dip galvanized</b>	A	821,-	254,-	1075,-
Lid, galvanized	A	126,-	18,-	144,-
Castor Set, polyamide, Load capacity 1050 kg / castor set	A	150,-	15,-	165,-
<b>SMGU 460, painted</b>	A	903,-	254,-	1157,-
Lid, galvanized	A	163,-	22,-	185,-
Castor Set, polyamide, Load capacity 1050 kg / castor set	A	150,-	15,-	165,-
<b>SMGU 460, hot-dip galvanized</b>	A	1051,-	254,-	1305,-
Lid, galvanized	A	163,-	22,-	185,-
Castor Set, polyamide, Load capacity 1050 kg / castor set	A	150,-	15,-	165,-
<b>SMGU 610, painted</b>	A	1005,-	254,-	1259,-
Lid, galvanized	A	174,-	26,-	200,-
Castor Set, polyamide, Load capacity 1050 kg / castor set	A	150,-	15,-	165,-
<b>SMGU 610, hot-dip galvanized</b>	A	1168,-	254,-	1422,-
Lid, galvanized	A	174,-	26,-	200,-
Castor Set, polyamide, Load capacity 1050 kg / castor set	A	150,-	15,-	165,-

Silo Container Type SR	Category	Price	Freight charges	Price including freight charges
<b>SR 375, painted</b>	E	815,-	173,-	988,-
Lid, galvanized	E	126,-	33,-	159,-
<b>SR 375, hot-dip galvanized</b>	E	1530,-	173,-	1703,-
Lid, galvanized	E	126,-	33,-	159,-
<b>SR 600, painted</b>	E	1012,-	254,-	1266,-
Lid, galvanized	E	126,-	33,-	159,-
<b>SR 600, hot-dip galvanized</b>	E	1740,-	254,-	1994,-
Lid, galvanized	E	126,-	33,-	159,-

Silo Container Type SR-D	Category	Price	Freight charges	Price including freight charges
<b>SR-D 375, painted</b>	E	815,-	173,-	988,-
Lid, galvanized	E	126,-	33,-	159,-
<b>SR-D 375, hot-dip galvanized</b>	E	1530,-	173,-	1703,-
Lid, galvanized	E	126,-	33,-	159,-
<b>SR-D 600, painted</b>	E	1012,-	254,-	1266,-
Lid, galvanized	E	126,-	33,-	159,-
<b>SR-D 600, hot-dip galvanized</b>	E	1740,-	254,-	1994,-
Lid, galvanized	E	126,-	33,-	159,-

Silo Container Type SRE	Category	Price	Freight charges	Price including freight charges
<b>SRE 375, painted</b>	E	929,-	254,-	1183,-
Lid, galvanized	E	126,-	33,-	159,-
<b>SRE 375, hot-dip galvanized</b>	E	1664,-	254,-	1918,-
Lid, galvanized	E	126,-	33,-	159,-
<b>SRE 600, painted</b>	E	1131,-	254,-	1385,-

Prices in EUR, valid EXW DE-46354 Südlohn, DE-38820 Halberstadt, unpacked  
 Freight charges valid CPT Norway, islands and oversea territories excluded

# Price List 0424 en-NO

## Forklift Truck Attachments



Silo Container Type SRE	Category	Price	Freight charges	Price including freight charges
Lid, galvanized	E	126,-	33,-	159,-
<b>SRE 600, hot-dip galvanized</b>	E	1794,-	254,-	2048,-
Lid, galvanized	E	126,-	33,-	159,-
Silo Container Type SRE-D	Category	Price	Freight charges	Price including freight charges
<b>SRE-D 375, painted</b>	E	929,-	173,-	1102,-
Lid, galvanized	E	126,-	33,-	159,-
<b>SRE-D 375, hot-dip galvanized</b>	E	1664,-	254,-	1918,-
Lid, galvanized	E	126,-	33,-	159,-
<b>SRE-D 600, painted</b>	E	1131,-	254,-	1385,-
Lid, galvanized	E	126,-	33,-	159,-
<b>SRE-D 600, hot-dip galvanized</b>	E	1794,-	254,-	2048,-
Lid, galvanized	E	126,-	33,-	159,-
Forklift Tender System Type STS	Category	Price	Freight charges	Price including freight charges
<b>STS 2,5, painted</b>	C	3726,-	on request	on request
<b>STS 5,0, painted</b>	C	4392,-	on request	on request
Spreader Type STW	Category	Price	Freight charges	Price including freight charges
<b>STW 100, painted</b>	A	1174,-	173,-	1347,-
Tarpaulin	A	112,-	10,-	122,-
<b>STW 260, painted</b>	A	2074,-	173,-	2247,-
Tarpaulin	A	117,-	10,-	127,-
Traverse for Big Bags Type TBB	Category	Price	Freight charges	Price including freight charges
<b>TBB, painted</b>	A	870,-	173,-	1043,-
Traverse For Big Bags Type TBB-E	Category	Price	Freight charges	Price including freight charges
<b>TBB-E, painted</b>	A	823,-	173,-	996,-
Traverse For Big Bags Type TBB-W	Category	Price	Freight charges	Price including freight charges
<b>TBB-W, painted</b>	A	1056,-	173,-	1229,-
Mini Lifting Beam Type TM	Category	Price	Freight charges	Price including freight charges
<b>TM 200-500, hot-dip galvanized</b>	F	385,-	70,-	455,-
<b>TM 400-800, hot-dip galvanized</b>	F	414,-	70,-	484,-
<b>TM 800-1200, hot-dip galvanized</b>	F	546,-	70,-	616,-
Tilting Container Type TRIO	Category	Price	Freight charges	Price including freight charges
<b>TRIO, painted</b>	A	2254,-	480,-	2734,-
Lid, galvanized	A	207,-	26,-	233,-
Castor Set, polyamide, Load capacity 1350 kg / castor set	A	185,-	15,-	200,-
Set of 5 self-adhesive stickers with symbols for: glass, paper, plastic, metal, residual waste	A	28,-	on request	on request

Prices in EUR, valid EXW DE-46354 Südlohn, DE-38820 Halberstadt, unpacked  
Freight charges valid CPT Norway, islands and oversea territories excluded

# Price List 0424 en-NO

## Forklift Truck Attachments



Universal Container Type UC	Category	Price	Freight charges	Price including freight charges
<b>UC 500, painted</b>	A	652,-	173,-	825,-
Lid, galvanized	A	162,-	16,-	178,-
Castor Set, polyamide, Load capacity 1350 kg / castor set	A	185,-	15,-	200,-
Pick-up Profile on Type UC for Traverse Type UCT	A	102,-	0,-	102,-
<b>UC 500, hot-dip galvanized</b>	A	744,-	254,-	998,-
Lid, galvanized	A	162,-	16,-	178,-
Castor Set, polyamide, Load capacity 1350 kg / castor set	A	185,-	15,-	200,-
Pick-up Profile on Type UC for Traverse Type UCT	A	102,-	0,-	102,-
<b>UC 750, painted</b>	A	709,-	254,-	963,-
Lid, galvanized	A	162,-	16,-	178,-
Castor Set, polyamide, Load capacity 1350 kg / castor set	A	185,-	15,-	200,-
Pick-up Profile on Type UC for Traverse Type UCT	A	102,-	0,-	102,-
<b>UC 750, hot-dip galvanized</b>	A	824,-	254,-	1078,-
Lid, galvanized	A	162,-	16,-	178,-
Castor Set, polyamide, Load capacity 1350 kg / castor set	A	185,-	15,-	200,-
Pick-up Profile on Type UC for Traverse Type UCT	A	102,-	0,-	102,-
<b>UC 1000, painted</b>	A	744,-	254,-	998,-
Lid, galvanized	A	162,-	16,-	178,-
Castor Set, polyamide, Load capacity 1350 kg / castor set	A	185,-	15,-	200,-
Pick-up Profile on Type UC for Traverse Type UCT	A	102,-	0,-	102,-
<b>UC 1000, hot-dip galvanized</b>	A	863,-	254,-	1117,-
Lid, galvanized	A	162,-	16,-	178,-
Castor Set, polyamide, Load capacity 1350 kg / castor set	A	185,-	15,-	200,-
Pick-up Profile on Type UC for Traverse Type UCT	A	102,-	0,-	102,-
<b>Hydraulic Traverse Type UCT</b>	<b>Category</b>	<b>Price</b>	<b>Freight charges</b>	<b>Price including freight charges</b>
<b>UCT, painted</b>	A	2644,-	381,-	3025,-
<b>Tilting Container Type VD</b>	<b>Category</b>	<b>Price</b>	<b>Freight charges</b>	<b>Price including freight charges</b>
<b>VD 500, painted</b>	A	767,-	254,-	1021,-
Lid, galvanized	A	139,-	18,-	157,-
Castor Set, polyamide, Load capacity 1350 kg / castor set	A	185,-	15,-	200,-
Skip Body Welded Oil and Watertight	A	75,-	0,-	75,-
<b>VD 500, hot-dip galvanized</b>	A	998,-	254,-	1252,-
Lid, galvanized	A	139,-	18,-	157,-
Castor Set, polyamide, Load capacity 1350 kg / castor set	A	185,-	15,-	200,-
Skip Body Welded Oil and Watertight	A	75,-	0,-	75,-
<b>VD 650, painted</b>	A	838,-	254,-	1092,-
Lid, galvanized	A	139,-	18,-	157,-
Castor Set, polyamide, Load capacity 1350 kg / castor set	A	185,-	15,-	200,-
Skip Body Welded Oil and Watertight	A	75,-	0,-	75,-
<b>VD 650, hot-dip galvanized</b>	A	1091,-	254,-	1345,-
Lid, galvanized	A	139,-	18,-	157,-
Castor Set, polyamide, Load capacity 1350 kg / castor set	A	185,-	15,-	200,-
Skip Body Welded Oil and Watertight	A	75,-	0,-	75,-

Prices in EUR, valid EXW DE-46354 Südlohn, DE-38820 Halberstadt, unpacked  
Freight charges valid CPT Norway, islands and oversea territories excluded

# Price List 0424 en-NO

## Forklift Truck Attachments



Tilting Container Type VD	Category	Price	Freight charges	Price including freight charges
<b>VD 800, painted</b>	A	957,-	254,-	1211,-
Lid, galvanized	A	168,-	22,-	190,-
Castor Set, polyamide, Load capacity 1350 kg / castor set	A	185,-	15,-	200,-
Skip Body Welded Oil and Watertight	A	75,-	0,-	75,-
<b>VD 800, hot-dip galvanized</b>	A	1300,-	254,-	1554,-
Lid, galvanized	A	168,-	22,-	190,-
Castor Set, polyamide, Load capacity 1350 kg / castor set	A	185,-	15,-	200,-
Skip Body Welded Oil and Watertight	A	75,-	0,-	75,-
<b>VD 1000, painted</b>	A	1005,-	254,-	1259,-
Lid, galvanized	A	168,-	22,-	190,-
Castor Set, polyamide, Load capacity 1350 kg / castor set	A	185,-	15,-	200,-
Skip Body Welded Oil and Watertight	A	116,-	0,-	116,-
<b>VD 1000, hot-dip galvanized</b>	A	1419,-	254,-	1673,-
Lid, galvanized	A	168,-	22,-	190,-
Castor Set, polyamide, Load capacity 1350 kg / castor set	A	185,-	15,-	200,-
Skip Body Welded Oil and Watertight	A	116,-	0,-	116,-
Tilting Container Type VG	Category	Price	Freight charges	Price including freight charges
<b>VG 550, painted</b>	A	784,-	254,-	1038,-
Lid, galvanized	A	139,-	18,-	157,-
Castor Set, polyamide, Load capacity 1350 kg / castor set	A	185,-	15,-	200,-
Skip Body Welded Oil and Watertight	A	75,-	0,-	75,-
<b>VG 550, hot-dip galvanized</b>	A	1022,-	254,-	1276,-
Lid, galvanized	A	139,-	18,-	157,-
Castor Set, polyamide, Load capacity 1350 kg / castor set	A	185,-	15,-	200,-
Skip Body Welded Oil and Watertight	A	75,-	0,-	75,-
<b>VG 700, painted</b>	A	929,-	254,-	1183,-
Lid, galvanized	A	139,-	18,-	157,-
Castor Set, polyamide, Load capacity 1350 kg / castor set	A	185,-	15,-	200,-
Skip Body Welded Oil and Watertight	A	75,-	0,-	75,-
<b>VG 700, hot-dip galvanized</b>	A	1209,-	254,-	1463,-
Lid, galvanized	A	139,-	18,-	157,-
Castor Set, polyamide, Load capacity 1350 kg / castor set	A	185,-	15,-	200,-
Skip Body Welded Oil and Watertight	A	75,-	0,-	75,-
<b>VG 900, painted</b>	A	1024,-	254,-	1278,-
Lid, galvanized	A	168,-	22,-	190,-
Castor Set, polyamide, Load capacity 1350 kg / castor set	A	185,-	15,-	200,-
Skip Body Welded Oil and Watertight	A	75,-	0,-	75,-
<b>VG 900, hot-dip galvanized</b>	A	1451,-	254,-	1705,-
Lid, galvanized	A	168,-	22,-	190,-
Castor Set, polyamide, Load capacity 1350 kg / castor set	A	185,-	15,-	200,-
Skip Body Welded Oil and Watertight	A	75,-	0,-	75,-
<b>VG 1100, painted</b>	A	1111,-	254,-	1365,-
Lid, galvanized	A	168,-	22,-	190,-
Castor Set, polyamide, Load capacity 1350 kg / castor set	A	185,-	15,-	200,-
Skip Body Welded Oil and Watertight	A	116,-	0,-	116,-

Prices in EUR, valid EXW DE-46354 Südlohn, DE-38820 Halberstadt, unpacked  
Freight charges valid CPT Norway, islands and oversea territories excluded



# Price List 0424 en-NO

## Forklift Truck Attachments



Tilting Container Type VG	Category	Price	Freight charges	Price including freight charges
<b>VG 1100, hot-dip galvanized</b>	A	1508,-	254,-	1762,-
Lid, galvanized	A	168,-	22,-	190,-
Castor Set, polyamide, Load capacity 1350 kg / castor set	A	185,-	15,-	200,-
Skip Body Welded Oil and Watertight	A	116,-	0,-	116,-

Prices in EUR, valid EXW DE-46354 Südlohn, DE-38820 Halberstadt, unpacked  
 Freight charges valid CPT Norway, islands and oversea territories excluded

## Price List 0424 en-NO

### Workspace Material Handling

Battery Charging Station Type BL	Category	Price	Freight charges	Price including freight charges
<b>BL 1, painted</b>	A	1373,-	173,-	1546,-
Fire Extinguisher	A	197,-	14,-	211,-
Fixture for water receptacle	A	61,-	13,-	74,-
<b>BL 2, painted</b>	A	1737,-	173,-	1910,-
Fire Extinguisher	A	197,-	14,-	211,-
Fixture for water receptacle	A	61,-	13,-	74,-
<b>BL 3, painted</b>	A	1737,-	173,-	1910,-
Fire Extinguisher	A	197,-	14,-	211,-
Fixture for water receptacle	A	61,-	13,-	74,-
Drum Jack Roller Type FHR	Category	Price	Freight charges	Price including freight charges
<b>FHR 600 F, painted</b>	B	3174,-	381,-	3555,-
<b>FHR 600 F, hot-dip galvanized</b>	B	3517,-	381,-	3898,-
<b>FHR 600 G, painted</b>	B	2528,-	254,-	2782,-
<b>FHR 600 G, hot-dip galvanized</b>	B	2790,-	254,-	3044,-
<b>FHR 600 K, painted</b>	B	2528,-	254,-	2782,-
<b>FHR 600 K, hot-dip galvanized</b>	B	2790,-	254,-	3044,-
Drum Trolley Type FP-L	Category	Price	Freight charges	Price including freight charges
<b>FP-L, galvanized</b>	C	602,-	173,-	775,-
Drum Trolley Type FP-V	Category	Price	Freight charges	Price including freight charges
<b>FP-V, galvanized</b>	C	584,-	173,-	757,-
Drum Dolly Type FRW	Category	Price	Freight charges	Price including freight charges
<b>FRW-I, hot-dip galvanized</b>	A	112,-	70,-	182,-
<b>FRW-II, hot-dip galvanized</b>	A	148,-	70,-	218,-
<b>FRW-III, hot-dip galvanized</b>	A	200,-	173,-	373,-
Dolly Type GRW	Category	Price	Freight charges	Price including freight charges
<b>GRW-I, hot-dip galvanized</b>	F	121,-	70,-	191,-
Handle, galvanized	F	53,-	10,-	63,-
<b>GRW-II, hot-dip galvanized</b>	F	138,-	70,-	208,-
Handle, galvanized	F	53,-	10,-	63,-
<b>GRW-III, hot-dip galvanized</b>	F	172,-	173,-	345,-
Handle, galvanized	F	53,-	10,-	63,-
Gas Cylinder Wall Bracket Type GWH	Category	Price	Freight charges	Price including freight charges
<b>GWH 140-I, hot-dip galvanized</b>	F	25,-	70,-	95,-
<b>GWH 140-II, hot-dip galvanized</b>	F	38,-	70,-	108,-

Prices in EUR, valid EXW DE-46354 Südlohn, DE-38820 Halberstadt, unpacked  
Freight charges valid CPT Norway, islands and oversea territories excluded

# Price List 0424 en-NO

## Workspace Material Handling



Gas Cylinder Wall Bracket Type GWH	Category	Price	Freight charges	Price including freight charges
GWH 140-III, hot-dip galvanized	F	57,-	70,-	127,-
GWH 230-I, hot-dip galvanized	F	27,-	70,-	97,-
GWH 230-II, hot-dip galvanized	F	41,-	70,-	111,-
GWH 230-III, hot-dip galvanized	F	62,-	70,-	132,-
GWH 320-I, hot-dip galvanized	F	28,-	70,-	98,-
GWH 320-II, hot-dip galvanized	F	46,-	70,-	116,-
GWH 320-III, hot-dip galvanized	F	69,-	70,-	139,-
Fork Lifter Type GZH-A	Category	Price	Freight charges	Price including freight charges
GZH-A, painted	F	110,-	70,-	180,-
Fork Lifter Type GZH-B	Category	Price	Freight charges	Price including freight charges
GZH-B, painted	F	110,-	70,-	180,-
Fork Pallet Type GZP	Category	Price	Freight charges	Price including freight charges
GZP 4, hot-dip galvanized	A	155,-	173,-	328,-
GZP 8, hot-dip galvanized	A	194,-	173,-	367,-
IBC Residue Drainer Type IR	Category	Price	Freight charges	Price including freight charges
IR-1, hot-dip galvanized	A	575,-	173,-	748,-
IR-2, hot-dip galvanized	A	686,-	173,-	859,-
Tilting Canister Stand Type KAH	Category	Price	Freight charges	Price including freight charges
KAH-5, galvanized	A	92,-	70,-	162,-
KAH-25, galvanized	A	105,-	70,-	175,-
KAH-60, galvanized	A	135,-	70,-	205,-
Sheet Metal Storage Units With Trays Type KBR	Category	Price	Freight charges	Price including freight charges
KBR 1, painted	A	5782,-	1055,-	6837,-
KBR 2, painted	A	5997,-	on request	on request
KBR 3, painted	A	6441,-	on request	on request
Liftomat Type L/E	Category	Price	Freight charges	Price including freight charges
L/E 1300, painted	B	4742,-	381,-	5123,-
L/E 1300, hot-dip galvanized	B	5389,-	381,-	5770,-
Liftomat Type L/M	Category	Price	Freight charges	Price including freight charges
L/M 600, painted	B	3432,-	254,-	3686,-
L/M 600, hot-dip galvanized	B	3888,-	254,-	4142,-
L/M 1300, painted	B	3851,-	381,-	4232,-
L/M 1300, hot-dip galvanized	B	4414,-	381,-	4795,-
Security Cage for Storage Type LBM	Category	Price	Freight charges	Price including freight charges
LBM 1500, hot-dip galvanized	A	1934,-	381,-	2315,-

Prices in EUR, valid EXW DE-46354 Südlohn, DE-38820 Halberstadt, unpacked  
Freight charges valid CPT Norway, islands and oversea territories excluded

# Price List 0424 en-NO

## Workspace Material Handling



Security Cage for Storage Type LBM	Category	Price	Freight charges	Price including freight charges
LBM 3000, hot-dip galvanized	A	2654,-	650,-	3304,-
LBM 4500, hot-dip galvanized	A	3373,-	650,-	4023,-
LBM 6000, hot-dip galvanized	A	4088,-	851,-	4939,-
Wheelie Bin Tipping Station Type MKS	Category	Price	Freight charges	Price including freight charges
MKS-12V, painted	A	3618,-	254,-	3872,-
External Charger for 12 V electro-hydraulic constructions	A	194,-	15,-	209,-
MKS-230V, painted	A	3618,-	254,-	3872,-
Wheelie Bin Tipping Station Type MKS-F	Category	Price	Freight charges	Price including freight charges
MKS-F, painted	A	2375,-	254,-	2629,-
Wheelie Bin Tipping Station Type MKS-H	Category	Price	Freight charges	Price including freight charges
MKS-H, painted	A	2375,-	254,-	2629,-
Stillage Transport Cage Type MTP	Category	Price	Freight charges	Price including freight charges
MTP 2000, hot-dip galvanized	A	2121,-	381,-	2502,-
Tension belt	A	46,-	8,-	54,-
MTP 3000, hot-dip galvanized	A	2680,-	480,-	3160,-
Tension belt	A	46,-	8,-	54,-
Two-Wheeled Pallet Picker Type PZ	Category	Price	Freight charges	Price including freight charges
PZ, hot-dip galvanized	F	440,-	70,-	510,-
Tyre Fitting Equipment Type RM	Category	Price	Freight charges	Price including freight charges
RM, painted	F	442,-	70,-	512,-
Surround for Waste Bins Type SECOMAT	Category	Price	Freight charges	Price including freight charges
S 120-D, powder coated	B	626,-	173,-	799,-
S 120-K, powder coated	B	702,-	173,-	875,-
S 240-D, powder coated	B	719,-	173,-	892,-
S 240-K, powder coated	B	787,-	173,-	960,-
S1100, powder-coated	B	727,-	173,-	900,-
S1100-W, powder-coated	B	956,-	254,-	1210,-
S1100-WT, powder-coated	B	1200,-	254,-	1454,-
S1100-WTB, powder-coated	B	1295,-	254,-	1549,-
S4USE, powder coated	C	2138,-	381,-	2519,-
Gas Cylinder Pallet Type SFP	Category	Price	Freight charges	Price including freight charges
SFP 4, hot-dip galvanized	C	334,-	173,-	507,-
SFP 8, hot-dip galvanized	C	444,-	173,-	617,-
Loading Support Type VS	Category	Price	Freight charges	Price including freight charges
VS, painted	C	739,-	254,-	993,-

Prices in EUR, valid EXW DE-46354 Südlohn, DE-38820 Halberstadt, unpacked  
Freight charges valid CPT Norway, islands and oversea territories excluded

## Price List 0424 en-NO Environment / Storage

Sump Trays Type SERIES 2000	Category	Price	Freight charges	Price including freight charges
<b>2000, painted</b>	B	241,-	173,-	414,-
<b>2001, hot-dip galvanized</b>	B	278,-	173,-	451,-
<b>2002, painted</b>	B	275,-	173,-	448,-
<b>2003, hot-dip galvanized</b>	B	311,-	173,-	484,-
<b>2008, painted</b>	B	241,-	173,-	414,-
<b>2009, hot-dip galvanized</b>	B	289,-	173,-	462,-
<b>2010, painted</b>	B	290,-	173,-	463,-
Drum Support FA 60-1, hot-dip galvanized	B	105,-	15,-	120,-
Drum Support FA 60-2, hot-dip galvanized	B	114,-	18,-	132,-
Drum Support FA 60-3, hot-dip galvanized	B	133,-	21,-	154,-
Drum Support FA 200-1, hot-dip galvanized	B	114,-	15,-	129,-
Can Shelf Type GR-A, galvanized	B	133,-	70,-	203,-
Can Shelf Type GR-B, galvanized	B	133,-	70,-	203,-
Can Shelf Type GR-C, galvanized	B	133,-	70,-	203,-
<b>2011, hot-dip galvanized</b>	B	339,-	173,-	512,-
Drum Support FA 60-1, hot-dip galvanized	B	105,-	15,-	120,-
Drum Support FA 60-2, hot-dip galvanized	B	114,-	18,-	132,-
Drum Support FA 60-3, hot-dip galvanized	B	133,-	21,-	154,-
Drum Support FA 200-1, hot-dip galvanized	B	114,-	15,-	129,-
Can Shelf Type GR-A, galvanized	B	133,-	70,-	203,-
Can Shelf Type GR-B, galvanized	B	133,-	70,-	203,-
Can Shelf Type GR-C, galvanized	B	133,-	70,-	203,-
<b>2016, painted</b>	B	253,-	173,-	426,-
<b>2017, hot-dip galvanized</b>	B	303,-	173,-	476,-
<b>2018, painted</b>	B	304,-	173,-	477,-
Drum Support FA 60-1, hot-dip galvanized	B	105,-	15,-	120,-
Drum Support FA 60-2, hot-dip galvanized	B	114,-	18,-	132,-
Drum Support FA 60-3, hot-dip galvanized	B	133,-	21,-	154,-
Drum Support FA 200-1, hot-dip galvanized	B	114,-	15,-	129,-
Can Shelf Type GR-A, galvanized	B	133,-	70,-	203,-
Can Shelf Type GR-B, galvanized	B	133,-	70,-	203,-
Can Shelf Type GR-C, galvanized	B	133,-	70,-	203,-
<b>2019, hot-dip galvanized</b>	B	352,-	173,-	525,-
Drum Support FA 60-1, hot-dip galvanized	B	105,-	15,-	120,-
Drum Support FA 60-2, hot-dip galvanized	B	114,-	18,-	132,-
Drum Support FA 60-3, hot-dip galvanized	B	133,-	21,-	154,-
Drum Support FA 200-1, hot-dip galvanized	B	114,-	15,-	129,-
Can Shelf Type GR-A, galvanized	B	133,-	70,-	203,-
Can Shelf Type GR-B, galvanized	B	133,-	70,-	203,-
Can Shelf Type GR-C, galvanized	B	133,-	70,-	203,-
<b>2026, painted</b>	B	253,-	173,-	426,-
<b>2027, hot-dip galvanized</b>	B	299,-	173,-	472,-

Prices in EUR, valid EXW DE-46354 Südlohn, DE-38820 Halberstadt, unpacked  
Freight charges valid CPT Norway, islands and oversea territories excluded

# Price List 0424 en-NO

## Environment / Storage



Sump Trays Type SERIES 2000	Category	Price	Freight charges	Price including freight charges
<b>2028, painted</b>	B	353,-	173,-	526,-
Drum Support FA 60-1, hot-dip galvanized	B	105,-	15,-	120,-
Drum Support FA 60-2, hot-dip galvanized	B	114,-	18,-	132,-
Drum Support FA 60-3, hot-dip galvanized	B	133,-	21,-	154,-
Drum Support FA 200-1, hot-dip galvanized	B	114,-	15,-	129,-
Drum Support FA 200-2, hot-dip galvanized	B	133,-	22,-	155,-
Can Shelf Type GR-A, galvanized	B	133,-	70,-	203,-
Can Shelf Type GR-B, galvanized	B	133,-	70,-	203,-
Can Shelf Type GR-C, galvanized	B	133,-	70,-	203,-
<b>2029, hot-dip galvanized</b>	B	398,-	173,-	571,-
Drum Support FA 60-1, hot-dip galvanized	B	105,-	15,-	120,-
Drum Support FA 60-2, hot-dip galvanized	B	114,-	18,-	132,-
Drum Support FA 60-3, hot-dip galvanized	B	133,-	21,-	154,-
Drum Support FA 200-1, hot-dip galvanized	B	114,-	15,-	129,-
Drum Support FA 200-2, hot-dip galvanized	B	133,-	22,-	155,-
Can Shelf Type GR-A, galvanized	B	133,-	70,-	203,-
Can Shelf Type GR-B, galvanized	B	133,-	70,-	203,-
Can Shelf Type GR-C, galvanized	B	133,-	70,-	203,-
<b>2030, painted</b>	B	265,-	173,-	438,-
<b>2031, hot-dip galvanized</b>	B	310,-	173,-	483,-
<b>2032, painted</b>	B	365,-	173,-	538,-
Drum Support FA 60-1, hot-dip galvanized	B	105,-	15,-	120,-
Drum Support FA 60-2, hot-dip galvanized	B	114,-	18,-	132,-
Drum Support FA 60-3, hot-dip galvanized	B	133,-	21,-	154,-
Drum Support FA 200-1, hot-dip galvanized	B	114,-	15,-	129,-
Drum Support FA 200-2, hot-dip galvanized	B	133,-	22,-	155,-
Can Shelf Type GR-A, galvanized	B	133,-	70,-	203,-
Can Shelf Type GR-B, galvanized	B	133,-	70,-	203,-
Can Shelf Type GR-C, galvanized	B	133,-	70,-	203,-
<b>2033, hot-dip galvanized</b>	B	411,-	173,-	584,-
Drum Support FA 60-1, hot-dip galvanized	B	105,-	15,-	120,-
Drum Support FA 60-2, hot-dip galvanized	B	114,-	18,-	132,-
Drum Support FA 60-3, hot-dip galvanized	B	133,-	21,-	154,-
Drum Support FA 200-1, hot-dip galvanized	B	114,-	15,-	129,-
Drum Support FA 200-2, hot-dip galvanized	B	133,-	22,-	155,-
Can Shelf Type GR-A, galvanized	B	133,-	70,-	203,-
Can Shelf Type GR-B, galvanized	B	133,-	70,-	203,-
Can Shelf Type GR-C, galvanized	B	133,-	70,-	203,-
<b>2040, painted</b>	B	339,-	173,-	512,-
<b>2041, hot-dip galvanized</b>	B	411,-	173,-	584,-
<b>2042, painted</b>	B	439,-	254,-	693,-
Drum Support FA 60-1, hot-dip galvanized	B	105,-	15,-	120,-
Drum Support FA 60-2, hot-dip galvanized	B	114,-	18,-	132,-
Drum Support FA 60-3, hot-dip galvanized	B	133,-	21,-	154,-
Can Shelf Type GR-A, galvanized	B	133,-	70,-	203,-
Can Shelf Type GR-B, galvanized	B	133,-	70,-	203,-

Prices in EUR, valid EXW DE-46354 Südlohn, DE-38820 Halberstadt, unpacked  
Freight charges valid CPT Norway, islands and oversea territories excluded

# Price List 0424 en-NO

## Environment / Storage



Sump Trays Type SERIES 2000	Category	Price	Freight charges	Price including freight charges
Can Shelf Type GR-C, galvanized	B	133,-	70,-	203,-
<b>2043, hot-dip galvanized</b>	B	511,-	254,-	765,-
Drum Support FA 60-1, hot-dip galvanized	B	105,-	15,-	120,-
Drum Support FA 60-2, hot-dip galvanized	B	114,-	18,-	132,-
Drum Support FA 60-3, hot-dip galvanized	B	133,-	21,-	154,-
Can Shelf Type GR-A, galvanized	B	133,-	70,-	203,-
Can Shelf Type GR-B, galvanized	B	133,-	70,-	203,-
Can Shelf Type GR-C, galvanized	B	133,-	70,-	203,-
<b>2048, painted</b>	B	261,-	173,-	434,-
<b>2049, hot-dip galvanized</b>	B	305,-	173,-	478,-
<b>2050, painted</b>	B	356,-	173,-	529,-
Drum Support FA 60-1, hot-dip galvanized	B	105,-	15,-	120,-
Drum Support FA 60-2, hot-dip galvanized	B	114,-	18,-	132,-
Drum Support FA 60-3, hot-dip galvanized	B	133,-	21,-	154,-
Can Shelf Type GR-A, galvanized	B	133,-	70,-	203,-
Can Shelf Type GR-B, galvanized	B	133,-	70,-	203,-
Can Shelf Type GR-C, galvanized	B	133,-	70,-	203,-
<b>2051, hot-dip galvanized</b>	B	400,-	173,-	573,-
Drum Support FA 60-1, hot-dip galvanized	B	105,-	15,-	120,-
Drum Support FA 60-2, hot-dip galvanized	B	114,-	18,-	132,-
Drum Support FA 60-3, hot-dip galvanized	B	133,-	21,-	154,-
Can Shelf Type GR-A, galvanized	B	133,-	70,-	203,-
Can Shelf Type GR-B, galvanized	B	133,-	70,-	203,-
Can Shelf Type GR-C, galvanized	B	133,-	70,-	203,-
Sump Trays Type SERIES 2000/SW	Category	Price	Freight charges	Price including freight charges
<b>2002/SW, painted</b>	B	412,-	173,-	585,-
<b>2003/SW, hot-dip galvanized</b>	B	448,-	173,-	621,-
<b>2018/SW, painted</b>	B	452,-	254,-	706,-
Drum Support FA 60-1, hot-dip galvanized	B	105,-	15,-	120,-
Drum Support FA 60-2, hot-dip galvanized	B	114,-	18,-	132,-
Drum Support FA 60-3, hot-dip galvanized	B	133,-	21,-	154,-
Drum Support FA 200-1, hot-dip galvanized	B	114,-	15,-	129,-
Can Shelf Type GR-A, galvanized	B	133,-	70,-	203,-
Can Shelf Type GR-B, galvanized	B	133,-	70,-	203,-
Can Shelf Type GR-C, galvanized	B	133,-	70,-	203,-
<b>2019/SW, hot-dip galvanized</b>	B	499,-	254,-	753,-
Drum Support FA 60-1, hot-dip galvanized	B	105,-	15,-	120,-
Drum Support FA 60-2, hot-dip galvanized	B	114,-	18,-	132,-
Drum Support FA 60-3, hot-dip galvanized	B	133,-	21,-	154,-
Drum Support FA 200-1, hot-dip galvanized	B	114,-	15,-	129,-
Can Shelf Type GR-A, galvanized	B	133,-	70,-	203,-
Can Shelf Type GR-B, galvanized	B	133,-	70,-	203,-
Can Shelf Type GR-C, galvanized	B	133,-	70,-	203,-
<b>2032/SW, painted</b>	B	533,-	254,-	787,-
Drum Support FA 60-1, hot-dip galvanized	B	105,-	15,-	120,-

Prices in EUR, valid EXW DE-46354 Südlohn, DE-38820 Halberstadt, unpacked  
Freight charges valid CPT Norway, islands and oversea territories excluded

# Price List 0424 en-NO

## Environment / Storage



Sump Trays Type SERIES 2000/SW	Category	Price	Freight charges	Price including freight charges
Drum Support FA 60-2, hot-dip galvanized	B	114,-	18,-	132,-
Drum Support FA 60-3, hot-dip galvanized	B	133,-	21,-	154,-
Drum Support FA 200-1, hot-dip galvanized	B	114,-	15,-	129,-
Drum Support FA 200-2, hot-dip galvanized	B	133,-	22,-	155,-
Can Shelf Type GR-A, galvanized	B	133,-	70,-	203,-
Can Shelf Type GR-B, galvanized	B	133,-	70,-	203,-
Can Shelf Type GR-C, galvanized	B	133,-	70,-	203,-
<b>2033/SW, hot-dip galvanized</b>	B	579,-	254,-	833,-
Drum Support FA 60-1, hot-dip galvanized	B	105,-	15,-	120,-
Drum Support FA 60-2, hot-dip galvanized	B	114,-	18,-	132,-
Drum Support FA 60-3, hot-dip galvanized	B	133,-	21,-	154,-
Drum Support FA 200-1, hot-dip galvanized	B	114,-	15,-	129,-
Drum Support FA 200-2, hot-dip galvanized	B	133,-	22,-	155,-
Can Shelf Type GR-A, galvanized	B	133,-	70,-	203,-
Can Shelf Type GR-B, galvanized	B	133,-	70,-	203,-
Can Shelf Type GR-C, galvanized	B	133,-	70,-	203,-
<b>2042/SW, painted</b>	B	661,-	304,-	965,-
Drum Support FA 60-1, hot-dip galvanized	B	105,-	15,-	120,-
Drum Support FA 60-2, hot-dip galvanized	B	114,-	18,-	132,-
Drum Support FA 60-3, hot-dip galvanized	B	133,-	21,-	154,-
Can Shelf Type GR-A, galvanized	B	133,-	70,-	203,-
Can Shelf Type GR-B, galvanized	B	133,-	70,-	203,-
Can Shelf Type GR-C, galvanized	B	133,-	70,-	203,-
<b>2043/SW, hot-dip galvanized</b>	B	734,-	304,-	1038,-
Drum Support FA 60-1, hot-dip galvanized	B	105,-	15,-	120,-
Drum Support FA 60-2, hot-dip galvanized	B	114,-	18,-	132,-
Drum Support FA 60-3, hot-dip galvanized	B	133,-	21,-	154,-
Can Shelf Type GR-A, galvanized	B	133,-	70,-	203,-
Can Shelf Type GR-B, galvanized	B	133,-	70,-	203,-
Can Shelf Type GR-C, galvanized	B	133,-	70,-	203,-
Mobile Sump Trays Type SERIES 2000	Category	Price	Freight charges	Price including freight charges
<b>2004, painted</b>	B	570,-	173,-	743,-
Fixture and Tension Belt for 1 x 200 Litre Drum	B	46,-	9,-	55,-
<b>2005, hot-dip galvanized</b>	B	634,-	173,-	807,-
Fixture and Tension Belt for 1 x 200 Litre Drum	B	46,-	9,-	55,-
<b>2020, painted</b>	B	633,-	173,-	806,-
Fixture and Tension Belt for 2 x 200 Litre Drums	B	46,-	9,-	55,-
<b>2021, hot-dip galvanized</b>	B	692,-	173,-	865,-
Fixture and Tension Belt for 2 x 200 Litre Drums	B	46,-	9,-	55,-
<b>2050 SR, painted</b>	B	685,-	173,-	858,-
Fixture and Tension Belt for 3 x 200 Litre Drums	B	46,-	9,-	55,-
<b>2051 SR, hot-dip galvanized</b>	B	740,-	254,-	994,-
Fixture and Tension Belt for 3 x 200 Litre Drums	B	46,-	9,-	55,-

Prices in EUR, valid EXW DE-46354 Südlohn, DE-38820 Halberstadt, unpacked  
Freight charges valid CPT Norway, islands and oversea territories excluded



# Price List 0424 en-NO

## Environment / Storage



Drum Shelves with Sump Trays Type SERIES 3000	Category	Price	Freight charges	Price including freight charges
<b>3000, hot-dip galvanized</b>	B	1054,-	254,-	1308,-
Retainer Bar	B	46,-	12,-	58,-
Rotating Support RA 200, hot-dip galvanized	B	93,-	10,-	103,-
Can Stand Type GS, hot-dip galvanized	B	62,-	18,-	80,-
Crash Guard	B	54,-	9,-	63,-
<b>3001, hot-dip galvanized</b>	B	887,-	254,-	1141,-
Retainer Bar	B	46,-	12,-	58,-
Rotating Support RA 200, hot-dip galvanized	B	93,-	10,-	103,-
Can Stand Type GS, hot-dip galvanized	B	62,-	18,-	80,-
Crash Guard	B	54,-	9,-	63,-
<b>3002, hot-dip galvanized</b>	B	1255,-	304,-	1559,-
Retainer Bar	B	46,-	12,-	58,-
Rotating Support RA 200, hot-dip galvanized	B	93,-	10,-	103,-
Can Stand Type GS, hot-dip galvanized	B	62,-	18,-	80,-
Crash Guard	B	54,-	9,-	63,-
<b>3003, hot-dip galvanized</b>	B	1063,-	304,-	1367,-
Retainer Bar	B	46,-	12,-	58,-
Rotating Support RA 200, hot-dip galvanized	B	93,-	10,-	103,-
Can Stand Type GS, hot-dip galvanized	B	62,-	18,-	80,-
Crash Guard	B	54,-	9,-	63,-
<b>3004, hot-dip galvanized</b>	B	1298,-	254,-	1552,-
Retainer Bar	B	46,-	12,-	58,-
Rotating Support RA 60, hot-dip galvanized	B	93,-	9,-	102,-
Can Stand Type GS, hot-dip galvanized	B	62,-	18,-	80,-
Crash Guard	B	54,-	9,-	63,-
<b>3005, hot-dip galvanized</b>	B	1174,-	254,-	1428,-
Retainer Bar	B	46,-	12,-	58,-
Rotating Support RA 60, hot-dip galvanized	B	93,-	9,-	102,-
Can Stand Type GS, hot-dip galvanized	B	62,-	18,-	80,-
Crash Guard	B	54,-	9,-	63,-
<b>3006, hot-dip galvanized</b>	B	1639,-	431,-	2070,-
Retainer Bar	B	46,-	12,-	58,-
Rotating Support RA 60, hot-dip galvanized	B	93,-	9,-	102,-
Can Stand Type GS, hot-dip galvanized	B	62,-	18,-	80,-
Crash Guard	B	54,-	9,-	63,-
<b>3007, hot-dip galvanized</b>	B	1400,-	304,-	1704,-
Retainer Bar	B	46,-	12,-	58,-
Rotating Support RA 60, hot-dip galvanized	B	93,-	9,-	102,-
Can Stand Type GS, hot-dip galvanized	B	62,-	18,-	80,-
Crash Guard	B	54,-	9,-	63,-
<b>3010, hot-dip galvanized</b>	B	1244,-	304,-	1548,-
Retainer Bar	B	46,-	12,-	58,-
Rotating Support RA 200, hot-dip galvanized	B	93,-	10,-	103,-
Can Stand Type GS, hot-dip galvanized	B	62,-	18,-	80,-
Crash Guard	B	54,-	9,-	63,-
<b>3011, hot-dip galvanized</b>	B	1034,-	304,-	1338,-

Prices in EUR, valid EXW DE-46354 Südlohn, DE-38820 Halberstadt, unpacked  
Freight charges valid CPT Norway, islands and oversea territories excluded

# Price List 0424 en-NO

## Environment / Storage



<b>Drum Shelves with Sump Trays Type SERIES 3000</b>	<b>Category</b>	<b>Price</b>	<b>Freight charges</b>	<b>Price including freight charges</b>
Retainer Bar	B	46,-	12,-	58,-
Rotating Support RA 200, hot-dip galvanized	B	93,-	10,-	103,-
Can Stand Type GS, hot-dip galvanized	B	62,-	18,-	80,-
Crash Guard	B	54,-	9,-	63,-

<b>Small Can Shelves with Sumps Type SERIES 3000</b>	<b>Category</b>	<b>Price</b>	<b>Freight charges</b>	<b>Price including freight charges</b>
<b>3017-4E, galvanized</b>	B	461,-	173,-	634,-
Grid Storage Level, hot dip-galvanized	B	59,-	10,-	69,-
Spill Tray, galvanized	B	96,-	10,-	106,-
Storage level for Drum Shelves	B	33,-	9,-	42,-
<b>3018-4E, galvanized</b>	B	383,-	173,-	556,-
Grid Storage Level, hot dip-galvanized	B	59,-	10,-	69,-
Spill Tray, galvanized	B	96,-	10,-	106,-
Storage level for Drum Shelves	B	33,-	9,-	42,-
<b>3019-4E, galvanized</b>	B	556,-	254,-	810,-
Grid Storage Level, hot dip-galvanized	B	59,-	10,-	69,-
Spill Tray, galvanized	B	96,-	10,-	106,-
Storage level for Drum Shelves	B	33,-	9,-	42,-
<b>3020-4E, galvanized</b>	B	476,-	254,-	730,-
Grid Storage Level, hot dip-galvanized	B	59,-	10,-	69,-
Spill Tray, galvanized	B	96,-	10,-	106,-
Storage level for Drum Shelves	B	33,-	9,-	42,-
<b>3021-4E, galvanized</b>	B	694,-	254,-	948,-
Grid Storage Level, hot dip-galvanized	B	59,-	10,-	69,-
Spill Tray, galvanized	B	96,-	10,-	106,-
Storage level for Drum Shelves	B	33,-	9,-	42,-
<b>3022-4E, galvanized</b>	B	604,-	173,-	777,-
Grid Storage Level, hot dip-galvanized	B	59,-	10,-	69,-
Spill Tray, galvanized	B	96,-	10,-	106,-
Storage level for Drum Shelves	B	33,-	9,-	42,-
<b>3023-4E, galvanized</b>	B	1122,-	304,-	1426,-
Grid Storage Level, hot dip-galvanized	B	59,-	10,-	69,-
Spill Tray, galvanized	B	96,-	10,-	106,-
Storage level for Drum Shelves	B	33,-	9,-	42,-
<b>3024-4E, galvanized</b>	B	935,-	304,-	1239,-
Grid Storage Level, hot dip-galvanized	B	59,-	10,-	69,-
Spill Tray, galvanized	B	96,-	10,-	106,-
Storage level for Drum Shelves	B	33,-	9,-	42,-

<b>Shelves Type AG</b>	<b>Category</b>	<b>Price</b>	<b>Freight charges</b>	<b>Price including freight charges</b>
<b>AG 60-1, hot-dip galvanized</b>	B	108,-	12,-	120,-
<b>AG 60-2, hot-dip galvanized</b>	B	113,-	14,-	127,-
<b>AG 60-3, hot-dip galvanized</b>	B	121,-	15,-	136,-

Prices in EUR, valid EXW DE-46354 Südlohn, DE-38820 Halberstadt, unpacked  
 Freight charges valid CPT Norway, islands and oversea territories excluded

# Price List 0424 en-NO

## Environment / Storage



Sump Tray Type AM	Category	Price	Freight charges	Price including freight charges
<b>AM-1, painted</b>	B	323,-	173,-	496,-
<b>AM-1, hot-dip galvanized</b>	B	366,-	173,-	539,-
<b>AM-2, painted</b>	B	357,-	173,-	530,-
Drum Support FA 60-1, hot-dip galvanized	B	105,-	15,-	120,-
Drum Support FA 60-2, hot-dip galvanized	B	114,-	18,-	132,-
Drum Support FA 60-3, hot-dip galvanized	B	133,-	21,-	154,-
Drum Support FA 200-1, hot-dip galvanized	B	114,-	15,-	129,-
Can Shelf Type GR-A, galvanized	B	133,-	70,-	203,-
Can Shelf Type GR-B, galvanized	B	133,-	70,-	203,-
Can Shelf Type GR-C, galvanized	B	133,-	70,-	203,-
<b>AM-2, hot-dip galvanized</b>	B	412,-	173,-	585,-
Drum Support FA 60-1, hot-dip galvanized	B	105,-	15,-	120,-
Drum Support FA 60-2, hot-dip galvanized	B	114,-	18,-	132,-
Drum Support FA 60-3, hot-dip galvanized	B	133,-	21,-	154,-
Drum Support FA 200-1, hot-dip galvanized	B	114,-	15,-	129,-
Can Shelf Type GR-A, galvanized	B	133,-	70,-	203,-
Can Shelf Type GR-B, galvanized	B	133,-	70,-	203,-
Can Shelf Type GR-C, galvanized	B	133,-	70,-	203,-
<b>AM-4/A, painted</b>	B	428,-	173,-	601,-
Drum Support FA 60-1, hot-dip galvanized	B	105,-	15,-	120,-
Drum Support FA 60-2, hot-dip galvanized	B	114,-	18,-	132,-
Drum Support FA 60-3, hot-dip galvanized	B	133,-	21,-	154,-
Drum Support FA 200-1, hot-dip galvanized	B	114,-	15,-	129,-
Drum Support FA 200-2, hot-dip galvanized	B	133,-	22,-	155,-
Can Shelf Type GR-A, galvanized	B	133,-	70,-	203,-
Can Shelf Type GR-B, galvanized	B	133,-	70,-	203,-
Can Shelf Type GR-C, galvanized	B	133,-	70,-	203,-
<b>AM-4/A, hot-dip galvanized</b>	B	482,-	254,-	736,-
Drum Support FA 60-1, hot-dip galvanized	B	105,-	15,-	120,-
Drum Support FA 60-2, hot-dip galvanized	B	114,-	18,-	132,-
Drum Support FA 60-3, hot-dip galvanized	B	133,-	21,-	154,-
Drum Support FA 200-1, hot-dip galvanized	B	114,-	15,-	129,-
Drum Support FA 200-2, hot-dip galvanized	B	133,-	22,-	155,-
Can Shelf Type GR-A, galvanized	B	133,-	70,-	203,-
Can Shelf Type GR-B, galvanized	B	133,-	70,-	203,-
Can Shelf Type GR-C, galvanized	B	133,-	70,-	203,-
<b>AM-4/B, painted</b>	B	514,-	254,-	768,-
Drum Support FA 60-1, hot-dip galvanized	B	105,-	15,-	120,-
Drum Support FA 60-2, hot-dip galvanized	B	114,-	18,-	132,-
Drum Support FA 60-3, hot-dip galvanized	B	133,-	21,-	154,-
Can Shelf Type GR-A, galvanized	B	133,-	70,-	203,-
Can Shelf Type GR-B, galvanized	B	133,-	70,-	203,-
Can Shelf Type GR-C, galvanized	B	133,-	70,-	203,-
<b>AM-4/B, hot-dip galvanized</b>	B	602,-	254,-	856,-
Drum Support FA 60-1, hot-dip galvanized	B	105,-	15,-	120,-
Drum Support FA 60-2, hot-dip galvanized	B	114,-	18,-	132,-

Prices in EUR, valid EXW DE-46354 Südlohn, DE-38820 Halberstadt, unpacked  
Freight charges valid CPT Norway, islands and oversea territories excluded

# Price List 0424 en-NO

## Environment / Storage



Sump Tray Type AM	Category	Price	Freight charges	Price including freight charges
Drum Support FA 60-3, hot-dip galvanized	B	133,-	21,-	154,-
Can Shelf Type GR-A, galvanized	B	133,-	70,-	203,-
Can Shelf Type GR-B, galvanized	B	133,-	70,-	203,-
Can Shelf Type GR-C, galvanized	B	133,-	70,-	203,-

Sump Tray Type AO	Category	Price	Freight charges	Price including freight charges
AO-1, painted	B	282,-	173,-	455,-
AO-1, hot-dip galvanized	B	325,-	173,-	498,-
AO-2, painted	B	299,-	173,-	472,-
AO-2, hot-dip galvanized	B	354,-	173,-	527,-
AO-4/A, painted	B	311,-	173,-	484,-
AO-4/A, hot-dip galvanized	B	365,-	173,-	538,-
AO-4/B, painted	B	398,-	173,-	571,-
AO-4/B, hot-dip galvanized	B	483,-	173,-	656,-

Sump Tray Type AW	Category	Price	Freight charges	Price including freight charges
AW 450, painted	B	619,-	254,-	873,-
AW 450, hot-dip galvanized	B	768,-	254,-	1022,-
AW 800, painted	B	644,-	254,-	898,-
AW 800, hot-dip galvanized	B	802,-	254,-	1056,-
AW 1000, painted	B	649,-	254,-	903,-
AW 1000, hot-dip galvanized	B	809,-	254,-	1063,-
AW 1000-2, painted	B	831,-	431,-	1262,-
AW 1000-2, hot-dip galvanized	B	933,-	431,-	1364,-
AW 1000-3, hot-dip galvanized	B	1585,-	530,-	2115,-
AW 1000-3, painted	B	1472,-	431,-	1903,-
AW 1000-10F, painted	B	997,-	431,-	1428,-
AW 1000-10F, hot-dip galvanized	B	1154,-	431,-	1585,-

Sump Tray Type AW/SW	Category	Price	Freight charges	Price including freight charges
AW 450/SW, painted	B	815,-	254,-	1069,-
AW 450/SW, hot-dip galvanized	B	964,-	381,-	1345,-
AW 800/SW, painted	B	839,-	381,-	1220,-
AW 800/SW, hot-dip galvanized	B	997,-	381,-	1378,-
AW 1000/SW, painted	B	844,-	381,-	1225,-
AW 1000/SW, hot-dip galvanized	B	1006,-	381,-	1387,-
AW 1000-2/SW, painted	B	1054,-	431,-	1485,-
AW 1000-2/SW, hot-dip galvanized	B	1155,-	530,-	1685,-
AW 1000-3/SW, painted	B	1726,-	530,-	2256,-
AW 1000-3/SW, hot-dip galvanized	B	2049,-	700,-	2749,-
AW 1000-10F/SW, painted	B	1340,-	530,-	1870,-
AW 1000-10F/SW, hot-dip galvanized	B	1495,-	530,-	2025,-

Mobile Sump Tray AW 60-1 SR	Category	Price	Freight charges	Price including freight charges
AW 60-1 SR, painted	B	314,-	173,-	487,-

Prices in EUR, valid EXW DE-46354 Südlohn, DE-38820 Halberstadt, unpacked  
Freight charges valid CPT Norway, islands and oversea territories excluded

# Price List 0424 en-NO

## Environment / Storage



Mobile Sump Tray AW 60-1 SR	Category	Price	Freight charges	Price including freight charges
Fixture and Tension belt for 2 x 60 Litre Drums	B	43,-	8,-	51,-
<b>AW 60-1 SR, hot-dip galvanized</b>	B	333,-	173,-	506,-
Fixture and Tension belt for 2 x 60 Litre Drums	B	43,-	8,-	51,-
Mobile Sump Tray AW 60-1 SRF	Category	Price	Freight charges	Price including freight charges
<b>AW 60-1 SRF, painted</b>	B	414,-	173,-	587,-
<b>AW 60-1 SRF, hot-dip galvanized</b>	B	435,-	173,-	608,-
Sump Tray Type AW 60	Category	Price	Freight charges	Price including freight charges
<b>AW 60-1, painted</b>	B	170,-	70,-	240,-
Grid GR 60-1, hot-dip galvanized	B	22,-	8,-	30,-
Drum Support FA 60-A for Drum Shelf AG 60, galvanized	B	24,-	8,-	32,-
Rotating Support RA 60-A, hot-dip galvanized	B	93,-	9,-	102,-
<b>AG 60-1, hot-dip galvanized</b>	B	108,-	12,-	120,-
Canister Stand AB, galvanized	B	18,-	8,-	26,-
Castor Set, polyamide, Load capacity 375 kg / castor set	B	83,-	15,-	98,-
<b>AW 60-1, hot-dip galvanized</b>	B	182,-	70,-	252,-
Grid GR 60-1, hot-dip galvanized	B	22,-	8,-	30,-
Drum Support FA 60-A for Drum Shelf AG 60, galvanized	B	24,-	8,-	32,-
Rotating Support RA 60-A, hot-dip galvanized	B	93,-	9,-	102,-
<b>AG 60-1, hot-dip galvanized</b>	B	108,-	12,-	120,-
Canister Stand AB, galvanized	B	18,-	8,-	26,-
Castor Set, polyamide, Load capacity 375 kg / castor set	B	83,-	15,-	98,-
<b>AW 60-2, painted</b>	B	171,-	173,-	344,-
Grid GR 60-2, hot-dip galvanized	B	26,-	12,-	38,-
Drum Support FA 60-A for Drum Shelf AG 60, galvanized	B	24,-	8,-	32,-
Rotating Support RA 60-A, hot-dip galvanized	B	93,-	9,-	102,-
<b>AG 60-2, hot-dip galvanized</b>	B	113,-	14,-	127,-
Canister Stand AB, galvanized	B	18,-	8,-	26,-
Castor Set, polyamide, Load capacity 375 kg / castor set	B	83,-	15,-	98,-
<b>AW 60-2, hot-dip galvanized</b>	B	188,-	173,-	361,-
Grid GR 60-2, hot-dip galvanized	B	26,-	12,-	38,-
Drum Support FA 60-A for Drum Shelf AG 60, galvanized	B	24,-	8,-	32,-
Rotating Support RA 60-A, hot-dip galvanized	B	93,-	9,-	102,-
<b>AG 60-2, hot-dip galvanized</b>	B	113,-	14,-	127,-
Canister Stand AB, galvanized	B	18,-	8,-	26,-
Castor Set, polyamide, Load capacity 375 kg / castor set	B	83,-	15,-	98,-
<b>AW 60-3, painted</b>	B	186,-	173,-	359,-
Grid GR 60-3, hot-dip galvanized	B	38,-	14,-	52,-
Drum Support FA 60-A for Drum Shelf AG 60, galvanized	B	24,-	8,-	32,-
Rotating Support RA 60-A, hot-dip galvanized	B	93,-	9,-	102,-
<b>AG 60-3, hot-dip galvanized</b>	B	121,-	15,-	136,-
Canister Stand AB, galvanized	B	18,-	8,-	26,-
Castor Set, polyamide, Load capacity 375 kg / castor set	B	83,-	15,-	98,-
<b>AW 60-3, hot-dip galvanized</b>	B	209,-	173,-	382,-

Prices in EUR, valid EXW DE-46354 Südlohn, DE-38820 Halberstadt, unpacked  
Freight charges valid CPT Norway, islands and oversea territories excluded

# Price List 0424 en-NO

## Environment / Storage



Sump Tray Type AW 60	Category	Price	Freight charges	Price including freight charges
Grid GR 60-3, hot-dip galvanized	B	38,-	14,-	52,-
Drum Support FA 60-A for Drum Shelf AG 60, galvanized	B	24,-	8,-	32,-
Rotating Support RA 60-A, hot-dip galvanized	B	93,-	9,-	102,-
<b>AG 60-3, hot-dip galvanized</b>	B	121,-	15,-	136,-
Canister Stand AB, galvanized	B	18,-	8,-	26,-
Castor Set, polyamide, Load capacity 375 kg / castor set	B	83,-	15,-	98,-
Sump Tray Type AW 60/M	Category	Price	Freight charges	Price including freight charges
<b>AW 60-1/M, painted</b>	B	189,-	173,-	362,-
Drum Support FA 60-A for Drum Shelf AG 60, galvanized	B	24,-	8,-	32,-
Rotating Support RA 60-A, hot-dip galvanized	B	93,-	9,-	102,-
<b>AG 60-1, hot-dip galvanized</b>	B	108,-	12,-	120,-
Canister Stand AB, galvanized	B	18,-	8,-	26,-
Castor Set, polyamide, Load capacity 375 kg / castor set	B	83,-	15,-	98,-
<b>AW 60-1/M, hot-dip galvanized</b>	B	203,-	173,-	376,-
Drum Support FA 60-A for Drum Shelf AG 60, galvanized	B	24,-	8,-	32,-
Rotating Support RA 60-A, hot-dip galvanized	B	93,-	9,-	102,-
<b>AG 60-1, hot-dip galvanized</b>	B	108,-	12,-	120,-
Canister Stand AB, galvanized	B	18,-	8,-	26,-
Castor Set, polyamide, Load capacity 375 kg / castor set	B	83,-	15,-	98,-
<b>AW 60-2/M, painted</b>	B	196,-	173,-	369,-
Drum Support FA 60-A for Drum Shelf AG 60, galvanized	B	24,-	8,-	32,-
Drum Support FA 60-2, hot-dip galvanized	B	114,-	18,-	132,-
Rotating Support RA 60-A, hot-dip galvanized	B	93,-	9,-	102,-
<b>AG 60-2, hot-dip galvanized</b>	B	113,-	14,-	127,-
Canister Stand AB, galvanized	B	18,-	8,-	26,-
Castor Set, polyamide, Load capacity 375 kg / castor set	B	83,-	15,-	98,-
<b>AW 60-2/M, hot-dip galvanized</b>	B	213,-	173,-	386,-
Drum Support FA 60-A for Drum Shelf AG 60, galvanized	B	24,-	8,-	32,-
Drum Support FA 60-2, hot-dip galvanized	B	114,-	18,-	132,-
Rotating Support RA 60-A, hot-dip galvanized	B	93,-	9,-	102,-
<b>AG 60-2, hot-dip galvanized</b>	B	113,-	14,-	127,-
Canister Stand AB, galvanized	B	18,-	8,-	26,-
Castor Set, polyamide, Load capacity 375 kg / castor set	B	83,-	15,-	98,-
<b>AW 60-3/M, painted</b>	B	224,-	173,-	397,-
Drum Support FA 60-A for Drum Shelf AG 60, galvanized	B	24,-	8,-	32,-
Drum Support FA 60-2, hot-dip galvanized	B	114,-	18,-	132,-
Drum Support FA 60-3, hot-dip galvanized	B	133,-	21,-	154,-
Rotating Support RA 60-A, hot-dip galvanized	B	93,-	9,-	102,-
<b>AG 60-3, hot-dip galvanized</b>	B	121,-	15,-	136,-
Canister Stand AB, galvanized	B	18,-	8,-	26,-
Castor Set, polyamide, Load capacity 375 kg / castor set	B	83,-	15,-	98,-
<b>AW 60-3/M, hot-dip galvanized</b>	B	245,-	173,-	418,-
Drum Support FA 60-A for Drum Shelf AG 60, galvanized	B	24,-	8,-	32,-
Drum Support FA 60-2, hot-dip galvanized	B	114,-	18,-	132,-
Drum Support FA 60-3, hot-dip galvanized	B	133,-	21,-	154,-

Prices in EUR, valid EXW DE-46354 Südlohn, DE-38820 Halberstadt, unpacked  
Freight charges valid CPT Norway, islands and oversea territories excluded

# Price List 0424 en-NO

## Environment / Storage



Sump Tray Type AW 60/M	Category	Price	Freight charges	Price including freight charges
Rotating Support RA 60-A, hot-dip galvanized	B	93,-	9,-	102,-
<b>AG 60-3, hot-dip galvanized</b>	B	121,-	15,-	136,-
Canister Stand AB, galvanized	B	18,-	8,-	26,-
Castor Set, polyamide, Load capacity 375 kg / castor set	B	83,-	15,-	98,-

Sump Tray Type AW/PE	Category	Price	Freight charges	Price including freight charges
<b>AW-1/PE, painted</b>	B	635,-	173,-	808,-
<b>AW-1/PE, hot-dip galvanized</b>	B	664,-	173,-	837,-
<b>AW-2/PE, painted</b>	B	696,-	173,-	869,-
Drum Support FA 60-1, hot-dip galvanized	B	105,-	15,-	120,-
Drum Support FA 60-2, hot-dip galvanized	B	114,-	18,-	132,-
Drum Support FA 60-3, hot-dip galvanized	B	133,-	21,-	154,-
Drum Support FA 200-1, hot-dip galvanized	B	114,-	15,-	129,-
Can Shelf Type GR-A, galvanized	B	133,-	70,-	203,-
Can Shelf Type GR-B, galvanized	B	133,-	70,-	203,-
Can Shelf Type GR-C, galvanized	B	133,-	70,-	203,-
<b>AW-2/PE, hot-dip galvanized</b>	B	731,-	173,-	904,-
Drum Support FA 60-1, hot-dip galvanized	B	105,-	15,-	120,-
Drum Support FA 60-2, hot-dip galvanized	B	114,-	18,-	132,-
Drum Support FA 60-3, hot-dip galvanized	B	133,-	21,-	154,-
Drum Support FA 200-1, hot-dip galvanized	B	114,-	15,-	129,-
Can Shelf Type GR-A, galvanized	B	133,-	70,-	203,-
Can Shelf Type GR-B, galvanized	B	133,-	70,-	203,-
Can Shelf Type GR-C, galvanized	B	133,-	70,-	203,-
<b>AW-4/A/PE, painted</b>	B	790,-	254,-	1044,-
Drum Support FA 60-1, hot-dip galvanized	B	105,-	15,-	120,-
Drum Support FA 60-2, hot-dip galvanized	B	114,-	18,-	132,-
Drum Support FA 60-3, hot-dip galvanized	B	133,-	21,-	154,-
Drum Support FA 200-1, hot-dip galvanized	B	114,-	15,-	129,-
Drum Support FA 200-2, hot-dip galvanized	B	133,-	22,-	155,-
Can Shelf Type GR-A, galvanized	B	133,-	70,-	203,-
Can Shelf Type GR-B, galvanized	B	133,-	70,-	203,-
Can Shelf Type GR-C, galvanized	B	133,-	70,-	203,-
<b>AW-4/A/PE, hot-dip galvanized</b>	B	829,-	254,-	1083,-
Drum Support FA 60-1, hot-dip galvanized	B	105,-	15,-	120,-
Drum Support FA 60-2, hot-dip galvanized	B	114,-	18,-	132,-
Drum Support FA 60-3, hot-dip galvanized	B	133,-	21,-	154,-
Drum Support FA 200-1, hot-dip galvanized	B	114,-	15,-	129,-
Drum Support FA 200-2, hot-dip galvanized	B	133,-	22,-	155,-
Can Shelf Type GR-A, galvanized	B	133,-	70,-	203,-
Can Shelf Type GR-B, galvanized	B	133,-	70,-	203,-
Can Shelf Type GR-C, galvanized	B	133,-	70,-	203,-
<b>AW-4/B/PE, painted</b>	B	986,-	304,-	1290,-
Drum Support FA 60-1, hot-dip galvanized	B	105,-	15,-	120,-
Drum Support FA 60-2, hot-dip galvanized	B	114,-	18,-	132,-
Drum Support FA 60-3, hot-dip galvanized	B	133,-	21,-	154,-

Prices in EUR, valid EXW DE-46354 Südlohn, DE-38820 Halberstadt, unpacked  
Freight charges valid CPT Norway, islands and oversea territories excluded

# Price List 0424 en-NO

## Environment / Storage



Sump Tray Type AW/PE	Category	Price	Freight charges	Price including freight charges
Can Shelf Type GR-A, galvanized	B	133,-	70,-	203,-
Can Shelf Type GR-B, galvanized	B	133,-	70,-	203,-
Can Shelf Type GR-C, galvanized	B	133,-	70,-	203,-
<b>AW-4/B/PE, hot-dip galvanized</b>	B	1058,-	304,-	1362,-
Drum Support FA 60-1, hot-dip galvanized	B	105,-	15,-	120,-
Drum Support FA 60-2, hot-dip galvanized	B	114,-	18,-	132,-
Drum Support FA 60-3, hot-dip galvanized	B	133,-	21,-	154,-
Can Shelf Type GR-A, galvanized	B	133,-	70,-	203,-
Can Shelf Type GR-B, galvanized	B	133,-	70,-	203,-
Can Shelf Type GR-C, galvanized	B	133,-	70,-	203,-
<b>AW 1000/PE, painted</b>	B	1339,-	381,-	1720,-
<b>AW 1000/PE, hot-dip galvanized</b>	B	1521,-	381,-	1902,-
<b>AW 1000-2/PE, painted</b>	B	1642,-	431,-	2073,-
<b>AW 1000-2/PE, hot-dip galvanized</b>	B	1756,-	431,-	2187,-

Sump Trays AW 8-12	Category	Price	Freight charges	Price including freight charges
AW-8, painted	B	707,-	304,-	1011,-
AW-8, hot-dip galvanized	B	787,-	431,-	1218,-
AW-10, painted	B	873,-	431,-	1304,-
AW-10, hot-dip galvanized	B	1197,-	431,-	1628,-
AW-12, painted	B	1000,-	431,-	1431,-
AW-12, hot-dip galvanized	B	1382,-	431,-	1813,-

Sump Tray Type AWA	Category	Price	Freight charges	Price including freight charges
AWA 1000, painted	B	834,-	254,-	1088,-
AWA 1000, hot-dip galvanized	B	1009,-	381,-	1390,-
AWA 1000-2, painted	B	1197,-	431,-	1628,-
AWA 1000-2, hot-dip galvanized	B	1327,-	431,-	1758,-
AWA 1000-3, painted	B	2177,-	530,-	2707,-
AWA 1000-3, hot-dip galvanized	B	2304,-	700,-	3004,-
AWA 21, painted	B	1012,-	431,-	1443,-
AWA 21, hot-dip galvanized	B	1142,-	431,-	1573,-
AWA 31, painted	B	1889,-	530,-	2419,-
AWA 31, hot-dip galvanized	B	2006,-	530,-	2536,-
AWA 32, painted	B	2055,-	530,-	2585,-
AWA 32, hot-dip galvanized	B	2173,-	530,-	2703,-

Sump Tray Type AWA/SW	Category	Price	Freight charges	Price including freight charges
AWA 1000/SW, painted	B	1028,-	381,-	1409,-
AWA 1000/SW, hot-dip galvanized	B	1203,-	381,-	1584,-
AWA 1000-2/SW, painted	B	1422,-	530,-	1952,-
AWA 1000-2/SW, hot-dip galvanized	B	1550,-	530,-	2080,-
AWA 1000-3/SW, painted	B	2432,-	700,-	3132,-
AWA 1000-3/SW, hot-dip galvanized	B	2558,-	700,-	3258,-
AWA 21/SW, painted	B	1234,-	530,-	1764,-

Prices in EUR, valid EXW DE-46354 Südlohn, DE-38820 Halberstadt, unpacked  
Freight charges valid CPT Norway, islands and oversea territories excluded



# Price List 0424 en-NO

## Environment / Storage



Sump Tray Type AWA/SW	Category	Price	Freight charges	Price including freight charges
AWA 21/SW, hot-dip galvanized	B	1365,-	530,-	1895,-
AWA 31/SW, painted	B	2142,-	700,-	2842,-
AWA 31/SW, hot-dip galvanized	B	2259,-	700,-	2959,-
AWA 32/SW, painted	B	2307,-	700,-	3007,-
AWA 32/SW, hot-dip galvanized	B	2427,-	700,-	3127,-

Sump Tray Type AW-F	Category	Price	Freight charges	Price including freight charges
AW-F 1, painted	B	634,-	173,-	807,-
Fixture and Tension Belt for 1 x 200 Litre Drum	B	46,-	9,-	55,-
AW-F 1, hot-dip galvanized	B	753,-	173,-	926,-
Fixture and Tension Belt for 1 x 200 Litre Drum	B	46,-	9,-	55,-
AW-F 2, painted	B	664,-	173,-	837,-
Fixture and Tension Belt for 2 x 200 Litre Drums	B	46,-	9,-	55,-
AW-F 2, hot-dip galvanized	B	813,-	173,-	986,-
Fixture and Tension Belt for 2 x 200 Litre Drums	B	46,-	9,-	55,-

Ground Protection Spill Tray Type BSW	Category	Price	Freight charges	Price including freight charges
BSW 21, galvanized	B	433,-	254,-	687,-
Access Ramp AR 21, galvanized	B	160,-	22,-	182,-
Access Corner Piece AE 24, galvanized	B	125,-	10,-	135,-
Cross-Shaped Connector KV 24, galvanized	B	19,-	8,-	27,-
Tray Connecting Strip WV 21, galvanized	B	21,-	8,-	29,-
BSW 22, galvanized	B	570,-	254,-	824,-
Access Ramp AR 21, galvanized	B	160,-	22,-	182,-
Access Ramp AR 22, galvanized	B	203,-	32,-	235,-
Access Corner Piece AE 24, galvanized	B	125,-	10,-	135,-
Cross-Shaped Connector KV 24, galvanized	B	19,-	8,-	27,-
Tray Connecting Strip WV 21, galvanized	B	21,-	8,-	29,-
Tray Connecting Strip WV 22, galvanized	B	23,-	8,-	31,-
BSW 23, galvanized	B	738,-	on request	on request
Access Ramp AR 23, galvanized	B	289,-	223,-	512,-
Access Ramp AR 21, galvanized	B	160,-	22,-	182,-
Access Corner Piece AE 24, galvanized	B	125,-	10,-	135,-
Cross-Shaped Connector KV 24, galvanized	B	19,-	8,-	27,-
Tray Connecting Strip WV 21, galvanized	B	21,-	8,-	29,-
Tray Connecting Strip WV 23, galvanized	B	35,-	9,-	44,-
BSW 24, galvanized	B	1295,-	on request	on request
Access Ramp AR 23, galvanized	B	289,-	223,-	512,-
Access Ramp AR 22, galvanized	B	203,-	32,-	235,-
Access Corner Piece AE 24, galvanized	B	125,-	10,-	135,-
Cross-Shaped Connector KV 24, galvanized	B	19,-	8,-	27,-
Tray Connecting Strip WV 22, galvanized	B	23,-	8,-	31,-
Tray Connecting Strip WV 23, galvanized	B	35,-	9,-	44,-
BSW 121, galvanized	B	192,-	70,-	262,-
Access Ramp AR 121, galvanized	B	157,-	22,-	179,-

Prices in EUR, valid EXW DE-46354 Südlohn, DE-38820 Halberstadt, unpacked  
 Freight charges valid CPT Norway, islands and oversea territories excluded

# Price List 0424 en-NO

## Environment / Storage



Ground Protection Spill Tray Type BSW	Category	Price	Freight charges	Price including freight charges
Cross-Shaped Connector KV 24, galvanized	B	19,-	8,-	27,-
Tray Connecting Strip WV 121, galvanized	B	20,-	9,-	29,-
<b>BSW 122, galvanized</b>	B	234,-	173,-	407,-
Access Ramp AR 121, galvanized	B	157,-	22,-	179,-
Access Ramp AR 122, galvanized	B	265,-	36,-	301,-
Access Corner Piece AE 124, galvanized	B	252,-	21,-	273,-
Cross-Shaped Connector KV 24, galvanized	B	19,-	8,-	27,-
Tray Connecting Strip WV 121, galvanized	B	20,-	9,-	29,-
Tray Connecting Strip WV 122, galvanized	B	25,-	9,-	34,-
<b>BSW 123, galvanized</b>	B	327,-	173,-	500,-
Access Ramp AR 122, galvanized	B	265,-	36,-	301,-
Access Corner Piece AE 124, galvanized	B	252,-	21,-	273,-
Cross-Shaped Connector KV 24, galvanized	B	19,-	8,-	27,-
Tray Connecting Strip WV 122, galvanized	B	25,-	9,-	34,-
<b>BSW 124, galvanized</b>	B	534,-	254,-	788,-
Access Ramp AR 122, galvanized	B	265,-	36,-	301,-
Access Ramp AR 123, galvanized	B	326,-	254,-	580,-
Access Corner Piece AE 124, galvanized	B	252,-	21,-	273,-
Cross-Shaped Connector KV 24, galvanized	B	19,-	8,-	27,-
Tray Connecting Strip WV 122, galvanized	B	25,-	9,-	34,-
Tray Connecting Strip WV 123, galvanized	B	34,-	9,-	43,-
<b>BSW 125, galvanized</b>	B	411,-	304,-	715,-
Access Ramp AR 121, galvanized	B	157,-	22,-	179,-
Access Ramp AR 124, galvanized	B	378,-	304,-	682,-
Access Corner Piece AE 124, galvanized	B	252,-	21,-	273,-
Cross-Shaped Connector KV 24, galvanized	B	19,-	8,-	27,-
Tray Connecting Strip WV 121, galvanized	B	20,-	9,-	29,-
Tray Connecting Strip WV 124, galvanized	B	47,-	9,-	56,-
<b>BSW 126, galvanized</b>	B	645,-	431,-	1076,-
Access Ramp AR 122, galvanized	B	265,-	36,-	301,-
Access Ramp AR 124, galvanized	B	378,-	304,-	682,-
Access Corner Piece AE 124, galvanized	B	252,-	21,-	273,-
Cross-Shaped Connector KV 24, galvanized	B	19,-	8,-	27,-
Tray Connecting Strip WV 122, galvanized	B	25,-	9,-	34,-
Tray Connecting Strip WV 124, galvanized	B	47,-	9,-	56,-
Polyethylene Bunded Spill Flooring Type BWP-PE	Category	Price	Freight charges	Price including freight charges
<b>BWP-PE 150, made of robust polyethylene</b>	B	305,-	173,-	478,-
Ramp Type BWR, robust polyethylene, black	B	214,-	12,-	226,-
Joining Element BWV 2, stainless steel 1.4301	B	28,-	9,-	37,-
<b>BWP-PE 300, made of robust polyethylene</b>	B	619,-	173,-	792,-
Ramp Type BWR, robust polyethylene, black	B	214,-	12,-	226,-
Joining Element BWV 4, stainless steel 1.4301	B	36,-	10,-	46,-

Prices in EUR, valid EXW DE-46354 Südlohn, DE-38820 Halberstadt, unpacked  
Freight charges valid CPT Norway, islands and oversea territories excluded

# Price List 0424 en-NO

## Environment / Storage



Polyethylene Bunded Spill Flooring Type BWPS-PE	Category	Price	Freight charges	Price including freight charges
BWPS-PE 300, made of robust polyethylene	B	759,-	223,-	982,-
Ramp Type BWR, robust polyethylene, black	B	214,-	12,-	226,-
Joining Element BWV 2, stainless steel 1.4301	B	28,-	9,-	37,-

Shelf Container Type CEH	Category	Price	Freight charges	Price including freight charges
CEH 29-2, painted	C	8832,-	on request	on request
CEH 29-2 IBC, painted	C	9735,-	on request	on request
CEH 36-2 IBC, painted	C	11330,-	on request	on request
CEH 38-2, painted	C	11322,-	on request	on request
CEH 59-2, painted	C	16765,-	on request	on request
CEH 59-2 IBC, painted	C	17999,-	on request	on request
CEH 75-2 IBC, painted	C	21334,-	on request	on request
CEH 81-2, painted	C	21762,-	on request	on request

Shelf Container Type CEN	Category	Price	Freight charges	Price including freight charges
CEN 29-2, painted	C	7453,-	on request	on request
Potential equalisation	C	177,-	0,-	177,-
CEN 29-2 IBC, painted	C	8136,-	on request	on request
Potential equalisation	C	177,-	0,-	177,-
CEN 29-2b, painted	C	12990,-	on request	on request
Potential equalisation	C	353,-	0,-	353,-
CEN 29-2b IBC, painted	C	13892,-	on request	on request
Potential equalisation	C	353,-	0,-	353,-
CEN 29-3, painted	C	11729,-	on request	on request
Potential equalisation	C	264,-	0,-	264,-
CEN 29-3 IBC, painted	C	12480,-	on request	on request
Potential equalisation	C	264,-	0,-	264,-
CEN 29-3b, painted	C	19088,-	on request	on request
Potential equalisation	C	527,-	0,-	527,-
CEN 29-3b IBC, painted	C	20156,-	on request	on request
Potential equalisation	C	527,-	0,-	527,-
CEN 33-2 IBC, painted	C	9075,-	on request	on request
Potential equalisation	C	177,-	0,-	177,-
CEN 33-2b IBC, painted	C	15207,-	on request	on request
Potential equalisation	C	353,-	0,-	353,-
CEN 33-3 IBC, painted	C	13380,-	on request	on request
Potential equalisation	C	264,-	0,-	264,-
CEN 33-3b IBC, painted	C	21273,-	on request	on request
Potential equalisation	C	527,-	0,-	527,-
CEN 36-2, painted	C	9149,-	on request	on request
Potential equalisation	C	177,-	0,-	177,-
CEN 36-2b, painted	C	15565,-	on request	on request
Potential equalisation	C	353,-	0,-	353,-
CEN 36-3, painted	C	13571,-	on request	on request
Potential equalisation	C	264,-	0,-	264,-

Prices in EUR, valid EXW DE-46354 Südlohn, DE-38820 Halberstadt, unpacked  
 Freight charges valid CPT Norway, islands and oversea territories excluded

# Price List 0424 en-NO

## Environment / Storage



Shelf Container Type CEN	Category	Price	Freight charges	Price including freight charges
<b>CEN 36-3b, painted</b>	C	21925,-	on request	on request
Potential equalisation	C	527,-	0,-	527,-
<b>CEN 59-2, painted</b>	C	12340,-	on request	on request
Potential equalisation	C	352,-	0,-	352,-
<b>CEN 59-2 IBC, painted</b>	C	13446,-	on request	on request
Potential equalisation	C	352,-	0,-	352,-
<b>CEN 59-2b, painted</b>	C	21238,-	on request	on request
Potential equalisation	C	704,-	0,-	704,-
<b>CEN 59-2b IBC, painted</b>	C	21984,-	on request	on request
Potential equalisation	C	704,-	0,-	704,-
<b>CEN 59-3, painted</b>	C	18998,-	on request	on request
Potential equalisation	C	526,-	0,-	526,-
<b>CEN 59-3 IBC, painted</b>	C	20108,-	on request	on request
Potential equalisation	C	526,-	0,-	526,-
<b>CEN 59-3b, painted</b>	C	30667,-	on request	on request
Potential equalisation	C	1052,-	0,-	1052,-
<b>CEN 59-3b IBC, painted</b>	C	32274,-	on request	on request
Potential equalisation	C	1052,-	0,-	1052,-
<b>CEN 65-2 IBC, painted</b>	C	14494,-	on request	on request
Potential equalisation	C	352,-	0,-	352,-
<b>CEN 65-2b IBC, painted</b>	C	24443,-	on request	on request
Potential equalisation	C	704,-	0,-	704,-
<b>CEN 65-3 IBC, painted</b>	C	21255,-	on request	on request
Potential equalisation	C	526,-	0,-	526,-
<b>CEN 65-3b IBC, painted</b>	C	34704,-	on request	on request
Potential equalisation	C	1052,-	0,-	1052,-
<b>CEN 75-2, painted</b>	C	15462,-	on request	on request
Potential equalisation	C	352,-	0,-	352,-
<b>CEN 75-2b, painted</b>	C	25589,-	on request	on request
Potential equalisation	C	704,-	0,-	704,-
<b>CEN 75-3, painted</b>	C	22305,-	on request	on request
Potential equalisation	C	526,-	0,-	526,-
<b>CEN 75-3b, painted</b>	C	36212,-	on request	on request
Potential equalisation	C	1052,-	0,-	1052,-
<b>CEN 81-2, painted</b>	C	16220,-	on request	on request
Potential equalisation	C	352,-	0,-	352,-
<b>CEN 81-2b, painted</b>	C	26755,-	on request	on request
Potential equalisation	C	704,-	0,-	704,-
<b>CEN 81-3, painted</b>	C	23356,-	on request	on request
Potential equalisation	C	526,-	0,-	526,-
<b>CEN 81-3b, painted</b>	C	37796,-	on request	on request
Potential equalisation	C	1052,-	0,-	1052,-
<b>Sump Tray for Skips Type CW</b>	<b>Category</b>	<b>Price</b>	<b>Freight charges</b>	<b>Price including freight charges</b>
<b>CW 1, painted</b>	B	2852,-	on request	on request
<b>CW 2, painted</b>	B	3116,-	on request	on request

Prices in EUR, valid EXW DE-46354 Südlohn, DE-38820 Halberstadt, unpacked  
Freight charges valid CPT Norway, islands and oversea territories excluded

# Price List 0424 en-NO

## Environment / Storage



Sump Tray for Skips Type CW	Category	Price	Freight charges	Price including freight charges
CW 3, painted	B	3596,-	on request	on request

Sump Tray Type ECO	Category	Price	Freight charges	Price including freight charges
ECO 1/200, painted	B	237,-	173,-	410,-
ECO 1/200, hot-dip galvanized	B	247,-	173,-	420,-
ECO 2/200, painted	B	252,-	173,-	425,-
ECO 2/200, hot-dip galvanized	B	260,-	173,-	433,-
ECO 4/200, painted	B	275,-	173,-	448,-
ECO 4/200, hot-dip galvanized	B	286,-	173,-	459,-
ECO 4/400, painted	B	342,-	173,-	515,-
ECO 4/400, hot-dip galvanized	B	357,-	173,-	530,-
ECO 1/1000, painted	B	610,-	254,-	864,-
ECO 1/1000, hot-dip galvanized	B	733,-	254,-	987,-
ECO 2/1000, painted	B	798,-	304,-	1102,-
ECO 2/1000, hot-dip galvanized	B	884,-	304,-	1188,-

Sump Tray Type ECO-A	Category	Price	Freight charges	Price including freight charges
ECO-A 1/1000, painted	B	802,-	254,-	1056,-
ECO-A 1/1000, hot-dip galvanized	B	938,-	254,-	1192,-
ECO-A 2/1000, painted	B	1179,-	431,-	1610,-
ECO-A 2/1000, hot-dip galvanized	B	1295,-	431,-	1726,-

Sump Tray Type ECO-S	Category	Price	Freight charges	Price including freight charges
ECO-S 2/200, hot-dip galvanized	B	3330,-	690,-	4020,-
ECO-S 4/200, hot-dip galvanized	B	3915,-	1050,-	4965,-
ECO-S 4/400, hot-dip galvanized	B	4830,-	1050,-	5880,-

Suspended Sump with Polyethylene Inlay Type EHW PE	Category	Price	Freight charges	Price including freight charges
EHW 1800 PE, painted	B	878,-	254,-	1132,-
EHW 1800 PE, hot-dip galvanized	B	890,-	254,-	1144,-
EHW 2200 PE, painted	B	953,-	254,-	1207,-
EHW 2200 PE, hot-dip galvanized	B	993,-	254,-	1247,-
EHW 2700 PE, painted	B	1105,-	431,-	1536,-
EHW 2700 PE, hot-dip galvanized	B	1170,-	431,-	1601,-
EHW 3300 PE, painted	B	1597,-	431,-	2028,-
EHW 3300 PE, hot-dip galvanized	B	1668,-	431,-	2099,-

Suspended Sump Type EHW	Category	Price	Freight charges	Price including freight charges
EHW 1800, painted	B	491,-	254,-	745,-
EHW 1800, hot-dip galvanized	B	503,-	254,-	757,-
EHW 2200, painted	B	544,-	254,-	798,-
EHW 2200, hot-dip galvanized	B	584,-	254,-	838,-
EHW 2700, painted	B	626,-	304,-	930,-
EHW 2700, hot-dip galvanized	B	692,-	304,-	996,-
EHW 3300, painted	B	968,-	431,-	1399,-

Prices in EUR, valid EXW DE-46354 Südlohn, DE-38820 Halberstadt, unpacked  
Freight charges valid CPT Norway, islands and oversea territories excluded

# Price List 0424 en-NO

## Environment / Storage



Suspended Sump Type EHW	Category	Price	Freight charges	Price including freight charges
EHW 3300, hot-dip galvanized	B	1039,-	431,-	1470,-
EHW 3600, painted	B	1014,-	431,-	1445,-
EHW 3600, hot-dip galvanized	B	1092,-	431,-	1523,-
Drum Pallet Type FP	Category	Price	Freight charges	Price including freight charges
FP 2, hot-dip galvanized	B	88,-	173,-	261,-
Drum Shelve Type FR	Category	Price	Freight charges	Price including freight charges
FR-1, hot-dip galvanized	B	283,-	173,-	456,-
Can Stand Type GS, hot-dip galvanized	B	62,-	18,-	80,-
Clip-on Rotating Support, galvanized	B	82,-	10,-	92,-
FR-2, hot-dip galvanized	B	362,-	173,-	535,-
Can Stand Type GS, hot-dip galvanized	B	62,-	18,-	80,-
Clip-on Rotating Support, galvanized	B	82,-	10,-	92,-
FR-3, hot-dip galvanized	B	404,-	173,-	577,-
Can Stand Type GS, hot-dip galvanized	B	62,-	18,-	80,-
Rotating Support RA 60, hot-dip galvanized	B	93,-	9,-	102,-
Sump Tray Type FRA	Category	Price	Freight charges	Price including freight charges
FRA-1, painted	B	299,-	173,-	472,-
Grid, hot-dip galvanized	B	64,-	16,-	80,-
FRA-1, hot-dip galvanized	B	354,-	173,-	527,-
Grid, hot-dip galvanized	B	64,-	16,-	80,-
FRA-2, painted	B	311,-	173,-	484,-
Grid, hot-dip galvanized	B	127,-	24,-	151,-
FRA-2, hot-dip galvanized	B	365,-	173,-	538,-
Grid, hot-dip galvanized	B	127,-	24,-	151,-
FRA-3, painted	B	311,-	173,-	484,-
Grid, hot-dip galvanized	B	127,-	24,-	151,-
FRA-3, hot-dip galvanized	B	365,-	173,-	538,-
Grid, hot-dip galvanized	B	127,-	24,-	151,-
Drum Shelf Type FRE/M	Category	Price	Freight charges	Price including freight charges
FRE-1/M, hot-dip galvanized	B	217,-	21,-	238,-
Clip-on Rotating Support, galvanized	B	82,-	10,-	92,-
Can Stand Type GS, hot-dip galvanized	B	62,-	18,-	80,-
FRE-2/M, hot-dip galvanized	B	252,-	22,-	274,-
Clip-on Rotating Support, galvanized	B	82,-	10,-	92,-
Can Stand Type GS, hot-dip galvanized	B	62,-	18,-	80,-
FRE-3/M, hot-dip galvanized	B	269,-	27,-	296,-
Rotating Support RA 60, hot-dip galvanized	B	93,-	9,-	102,-
Can Stand Type GS, hot-dip galvanized	B	62,-	18,-	80,-
Can Shelf Type FRE-G/M	Category	Price	Freight charges	Price including freight charges
FRE-G1/M, hot-dip galvanized	B	228,-	27,-	255,-

Prices in EUR, valid EXW DE-46354 Südlohn, DE-38820 Halberstadt, unpacked  
Freight charges valid CPT Norway, islands and oversea territories excluded

# Price List 0424 en-NO

## Environment / Storage



Can Shelf Type FRE-G/M	Category	Price	Freight charges	Price including freight charges
FRE-G2/M, hot-dip galvanized	B	264,-	32,-	296,-

Can Shelf for Small Cans Type FRG	Category	Price	Freight charges	Price including freight charges
FRG, hot-dip galvanized	B	368,-	173,-	541,-

Drum Stacking Pallet Type FSP-D	Category	Price	Freight charges	Price including freight charges
FSP-1 D, lackiert	B	816,-	254,-	1070,-
FSP-1 D, hot-dip galvanized	B	1068,-	254,-	1322,-
FSP-2 D, lackiert	B	870,-	254,-	1124,-
FSP-2 D, hot-dip galvanized	B	1180,-	254,-	1434,-
FSP-4 D, lackiert	B	1130,-	254,-	1384,-
FSP-4 D, hot-dip galvanized	B	1560,-	254,-	1814,-

Drum Stacking Pallet Type FSP-G	Category	Price	Freight charges	Price including freight charges
FSP-1 G, lackiert	B	793,-	254,-	1047,-
FSP-1 G, hot-dip galvanized	B	1052,-	254,-	1306,-
FSP-2 G, painted	B	849,-	254,-	1103,-
FSP-2 G, hot-dip galvanized	B	1156,-	254,-	1410,-
FSP-4 G, painted	B	1109,-	381,-	1490,-
FSP-4 G, hot-dip galvanized	B	1533,-	381,-	1914,-

Drum Stacking Pallet Type FSP	Category	Price	Freight charges	Price including freight charges
FSP-1, painted	B	467,-	173,-	640,-
FSP-1, hot-dip galvanized	B	702,-	254,-	956,-
FSP-2, painted	B	632,-	254,-	886,-
FSP-2, hot-dip galvanized	B	882,-	254,-	1136,-
FSP-4, painted	B	720,-	254,-	974,-
FSP-4, hot-dip galvanized	B	1112,-	254,-	1366,-

Hazardous Materials Depot Type GD-A	Category	Price	Freight charges	Price including freight charges
GD-A, painted	C	736,-	254,-	990,-
Drum Support FA 60-1, hot-dip galvanized	B	105,-	15,-	120,-
Drum Support FA 60-2, hot-dip galvanized	B	114,-	18,-	132,-
Drum Support FA 60-3, hot-dip galvanized	B	133,-	21,-	154,-
Can Shelf Type GR-A, galvanized	B	133,-	70,-	203,-
Can Shelf Type GR-B, galvanized	B	133,-	70,-	203,-
Can Shelf Type GR-C, galvanized	B	133,-	70,-	203,-
GD-A, hot-dip galvanized	C	927,-	254,-	1181,-
Drum Support FA 60-1, hot-dip galvanized	B	105,-	15,-	120,-
Drum Support FA 60-2, hot-dip galvanized	B	114,-	18,-	132,-
Drum Support FA 60-3, hot-dip galvanized	B	133,-	21,-	154,-
Can Shelf Type GR-A, galvanized	B	133,-	70,-	203,-
Can Shelf Type GR-B, galvanized	B	133,-	70,-	203,-
Can Shelf Type GR-C, galvanized	B	133,-	70,-	203,-

Prices in EUR, valid EXW DE-46354 Südlohn, DE-38820 Halberstadt, unpacked  
 Freight charges valid CPT Norway, islands and oversea territories excluded

# Price List 0424 en-NO

## Environment / Storage



Hazardous Materials Depot Type GD-B	Category	Price	Freight charges	Price including freight charges
<b>GD-B, painted</b>	C	1316,-	254,-	1570,-
Drum Support FA 60-1, hot-dip galvanized	B	105,-	15,-	120,-
Drum Support FA 60-2, hot-dip galvanized	B	114,-	18,-	132,-
Drum Support FA 60-3, hot-dip galvanized	B	133,-	21,-	154,-
Can Shelf Type GR-A, galvanized	B	133,-	70,-	203,-
Can Shelf Type GR-B, galvanized	B	133,-	70,-	203,-
Can Shelf Type GR-C, galvanized	B	133,-	70,-	203,-
<b>GD-B, hot-dip galvanized</b>	C	1570,-	254,-	1824,-
Drum Support FA 60-1, hot-dip galvanized	B	105,-	15,-	120,-
Drum Support FA 60-2, hot-dip galvanized	B	114,-	18,-	132,-
Drum Support FA 60-3, hot-dip galvanized	B	133,-	21,-	154,-
Can Shelf Type GR-A, galvanized	B	133,-	70,-	203,-
Can Shelf Type GR-B, galvanized	B	133,-	70,-	203,-
Can Shelf Type GR-C, galvanized	B	133,-	70,-	203,-
Hazardous Materials Depot Type GD-C	Category	Price	Freight charges	Price including freight charges
<b>GD-C, painted</b>	C	1123,-	254,-	1377,-
Drum Support FA 60-1, hot-dip galvanized	B	105,-	15,-	120,-
Drum Support FA 60-2, hot-dip galvanized	B	114,-	18,-	132,-
Drum Support FA 60-3, hot-dip galvanized	B	133,-	21,-	154,-
Can Shelf Type GR-A, galvanized	B	133,-	70,-	203,-
Can Shelf Type GR-B, galvanized	B	133,-	70,-	203,-
Can Shelf Type GR-C, galvanized	B	133,-	70,-	203,-
<b>GD-C, hot-dip galvanized</b>	C	1269,-	254,-	1523,-
Drum Support FA 60-1, hot-dip galvanized	B	105,-	15,-	120,-
Drum Support FA 60-2, hot-dip galvanized	B	114,-	18,-	132,-
Drum Support FA 60-3, hot-dip galvanized	B	133,-	21,-	154,-
Can Shelf Type GR-A, galvanized	B	133,-	70,-	203,-
Can Shelf Type GR-B, galvanized	B	133,-	70,-	203,-
Can Shelf Type GR-C, galvanized	B	133,-	70,-	203,-
Hazardous Materials Depot Type GD-E	Category	Price	Freight charges	Price including freight charges
<b>GD-E 2, galvanized</b>	C	1509,-	381,-	1890,-
Drum Support FA 60-1, hot-dip galvanized	B	105,-	15,-	120,-
Drum Support FA 60-2, hot-dip galvanized	B	114,-	18,-	132,-
Drum Support FA 60-3, hot-dip galvanized	B	133,-	21,-	154,-
Can Shelf Type GR-A, galvanized	B	133,-	70,-	203,-
Can Shelf Type GR-B, galvanized	B	133,-	70,-	203,-
Can Shelf Type GR-C, galvanized	B	133,-	70,-	203,-
<b>GD-E 4, galvanized</b>	C	1842,-	480,-	2322,-
Drum Support FA 60-1, hot-dip galvanized	B	105,-	15,-	120,-
Drum Support FA 60-2, hot-dip galvanized	B	114,-	18,-	132,-
Drum Support FA 60-3, hot-dip galvanized	B	133,-	21,-	154,-
Can Shelf Type GR-A, galvanized	B	133,-	70,-	203,-
Can Shelf Type GR-B, galvanized	B	133,-	70,-	203,-

Prices in EUR, valid EXW DE-46354 Südlohn, DE-38820 Halberstadt, unpacked  
Freight charges valid CPT Norway, islands and oversea territories excluded



# Price List 0424 en-NO

## Environment / Storage



Hazardous Materials Depot Type GD-E	Category	Price	Freight charges	Price including freight charges
Can Shelf Type GR-C, galvanized	B	133,-	70,-	203,-

Hazardous Materials Depot Type GD-E/IBC	Category	Price	Freight charges	Price including freight charges
GD-E/IBC, galvanized	C	2286,-	1309,-	3595,-
GD-E/IBC-2, galvanized	C	3431,-	431,-	3862,-

Hazardous Materials Depot Type GD-N	Category	Price	Freight charges	Price including freight charges
GD-N 2, galvanized	C	1315,-	381,-	1696,-
Intermediate Storage Level ZB, galvanized, for Hazardous Materials Depot	C	102,-	18,-	120,-
Drum Support FA 60-1, hot-dip galvanized	B	105,-	15,-	120,-
Can Shelf Type GR-A, galvanized	B	133,-	70,-	203,-
Can Shelf Type GR-B, galvanized	B	133,-	70,-	203,-
Can Shelf Type GR-C, galvanized	B	133,-	70,-	203,-
GD-N 4, galvanized	C	1639,-	381,-	2020,-
Intermediate Storage Level ZB, galvanized, for Hazardous Materials Depot	C	102,-	18,-	120,-
Drum Support FA 60-1, hot-dip galvanized	B	105,-	15,-	120,-
Drum Support FA 60-2, hot-dip galvanized	B	114,-	18,-	132,-
Drum Support FA 200-1, hot-dip galvanized	B	114,-	15,-	129,-
Drum Support FA 200-2, hot-dip galvanized	B	133,-	22,-	155,-
Can Shelf Type GR-A, galvanized	B	133,-	70,-	203,-
Can Shelf Type GR-B, galvanized	B	133,-	70,-	203,-
Can Shelf Type GR-C, galvanized	B	133,-	70,-	203,-

Hazardous Materials Depot Type GD-N/R	Category	Price	Freight charges	Price including freight charges
GD-N/R 2, galvanized	C	1509,-	381,-	1890,-
Intermediate Storage Level ZB, galvanized, for Hazardous Materials Depot	C	102,-	18,-	120,-
Drum Support FA 60-1, hot-dip galvanized	B	105,-	15,-	120,-
Can Shelf Type GR-A, galvanized	B	133,-	70,-	203,-
Can Shelf Type GR-B, galvanized	B	133,-	70,-	203,-
Can Shelf Type GR-C, galvanized	B	133,-	70,-	203,-
GD-N/R 4, galvanized	C	1836,-	381,-	2217,-
Intermediate Storage Level ZB, galvanized, for Hazardous Materials Depot	C	102,-	18,-	120,-
Drum Support FA 60-1, hot-dip galvanized	B	105,-	15,-	120,-
Drum Support FA 60-2, hot-dip galvanized	B	114,-	18,-	132,-
Drum Support FA 200-1, hot-dip galvanized	B	114,-	15,-	129,-
Drum Support FA 200-2, hot-dip galvanized	B	133,-	22,-	155,-
Can Shelf Type GR-A, galvanized	B	133,-	70,-	203,-
Can Shelf Type GR-B, galvanized	B	133,-	70,-	203,-
Can Shelf Type GR-C, galvanized	B	133,-	70,-	203,-

Gas Cylinder Containers Type GFC	Category	Price	Freight charges	Price including freight charges
GFC-1 (grid floor), painted	B	4596,-	on request	on request
Access Ramp for Gas Cylinder Container GFC, hot-dip galvanized	B	157,-	22,-	179,-
GFC-2 (stud plate floor), painted	B	4665,-	on request	on request
Access Ramp for Gas Cylinder Container GFC, hot-dip galvanized	B	157,-	22,-	179,-

Prices in EUR, valid EXW DE-46354 Südlohn, DE-38820 Halberstadt, unpacked  
 Freight charges valid CPT Norway, islands and oversea territories excluded

# Price List 0424 en-NO

## Environment / Storage



Gas Cylinder Containers Type GFC-B	Category	Price	Freight charges	Price including freight charges
<b>GFC-B M0, painted</b>	B	3290,-	1309,-	4599,-
Fixture with Safety Chain to Secure Gas Cylinders, hot-dip galvanized	B	69,-	12,-	81,-
<b>GFC-B M1, painted</b>	B	3815,-	1547,-	5362,-
Fixture with Safety Chain to Secure Gas Cylinders, hot-dip galvanized	B	69,-	12,-	81,-
<b>GFC-B M2, painted</b>	B	3974,-	1547,-	5521,-
Fixture with Safety Chain to Secure Gas Cylinders, hot-dip galvanized	B	69,-	12,-	81,-
Rack for Gas Cylinders Type GFG, galvanized	B	197,-	173,-	370,-
<b>GFC-B M3, painted</b>	B	4600,-	1547,-	6147,-
Fixture with Safety Chain to Secure Gas Cylinders, hot-dip galvanized	B	69,-	12,-	81,-
Rack for Gas Cylinders Type GFG, galvanized	B	197,-	173,-	370,-
<b>GFC-B M4, painted</b>	B	5173,-	1736,-	6909,-
Fixture with Safety Chain to Secure Gas Cylinders, hot-dip galvanized	B	69,-	12,-	81,-
Rack for Gas Cylinders Type GFG, galvanized	B	197,-	173,-	370,-
<b>GFC-B M5, painted</b>	B	7187,-	1736,-	8923,-
Fixture with Safety Chain to Secure Gas Cylinders, hot-dip galvanized	B	69,-	12,-	81,-
Rack for Gas Cylinders Type GFG, galvanized	B	197,-	173,-	370,-

Gas Cylinder Containers Type GFC-B/W	Category	Price	Freight charges	Price including freight charges
<b>GFC-B/W M1, painted</b>	B	4073,-	1547,-	5620,-
Fixture with Safety Chain to Secure Gas Cylinders, hot-dip galvanized	B	69,-	12,-	81,-
<b>GFC-B/W M2, painted</b>	B	4271,-	1547,-	5818,-
Fixture with Safety Chain to Secure Gas Cylinders, hot-dip galvanized	B	69,-	12,-	81,-
<b>GFC-B/W M3, painted</b>	B	4904,-	1547,-	6451,-
Fixture with Safety Chain to Secure Gas Cylinders, hot-dip galvanized	B	69,-	12,-	81,-
<b>GFC-B/W M4, painted</b>	B	5483,-	1736,-	7219,-
Fixture with Safety Chain to Secure Gas Cylinders, hot-dip galvanized	B	69,-	12,-	81,-
Rack for Gas Cylinders Type GFG, galvanized	B	197,-	173,-	370,-
<b>GFC-B/W M5, painted</b>	B	7578,-	1736,-	9314,-
Fixture with Safety Chain to Secure Gas Cylinders, hot-dip galvanized	B	69,-	12,-	81,-
Rack for Gas Cylinders Type GFG, galvanized	B	197,-	173,-	370,-

Gas Cylinder Containers Type GFC-E/G	Category	Price	Freight charges	Price including freight charges
<b>GFC-E/G M0, hot-dip galvanized</b>	B	1487,-	381,-	1868,-
Fixture with Safety Chain to Secure Gas Cylinders, hot-dip galvanized	B	38,-	12,-	50,-
<b>GFC-E/G M1, hot-dip galvanized</b>	B	2116,-	1547,-	3663,-
Fixture with Safety Chain to Secure Gas Cylinders, hot-dip galvanized	B	38,-	12,-	50,-
Rack for Gas Cylinders Type GFG, galvanized	B	197,-	173,-	370,-
Access Ramp AR, galvanized	B	157,-	22,-	179,-
Central Dividing Wall, galvanized	B	84,-	22,-	106,-
<b>GFC-E/G M2, hot-dip galvanized</b>	B	2319,-	1547,-	3866,-
Fixture with Safety Chain to Secure Gas Cylinders, hot-dip galvanized	B	38,-	12,-	50,-
Rack for Gas Cylinders Type GFG, galvanized	B	197,-	173,-	370,-
Access Ramp AR, galvanized	B	157,-	22,-	179,-
Central Dividing Wall, galvanized	B	124,-	32,-	156,-
<b>GFC-E/G M3, hot-dip galvanized</b>	B	2580,-	1547,-	4127,-

Prices in EUR, valid EXW DE-46354 Südlohn, DE-38820 Halberstadt, unpacked  
 Freight charges valid CPT Norway, islands and oversea territories excluded

# Price List 0424 en-NO

## Environment / Storage



Gas Cylinder Containers Type GFC-E/G	Category	Price	Freight charges	Price including freight charges
Fixture with Safety Chain to Secure Gas Cylinders, hot-dip galvanized	B	38,-	12,-	50,-
Rack for Gas Cylinders Type GFG, galvanized	B	197,-	173,-	370,-
Access Ramp AR, galvanized	B	157,-	22,-	179,-
Central Dividing Wall, galvanized	B	124,-	32,-	156,-
<b>GFC-E/G M4, hot-dip galvanized</b>	B	2797,-	1736,-	4533,-
Fixture with Safety Chain to Secure Gas Cylinders, hot-dip galvanized	B	38,-	12,-	50,-
Rack for Gas Cylinders Type GFG, galvanized	B	197,-	173,-	370,-
Access Ramp AR, galvanized	B	157,-	22,-	179,-
Central Dividing Wall, galvanized	B	124,-	32,-	156,-
<b>GFC-E/G M5, hot-dip galvanized</b>	B	3465,-	1736,-	5201,-
Fixture with Safety Chain to Secure Gas Cylinders, hot-dip galvanized	B	38,-	12,-	50,-
Rack for Gas Cylinders Type GFG, galvanized	B	197,-	173,-	370,-
Access Ramp AR, galvanized	B	157,-	22,-	179,-
Central Dividing Wall, galvanized	B	184,-	40,-	224,-
Gas Cylinder Containers Type GFC-E/T	Category	Price	Freight charges	Price including freight charges
<b>GFC-E/T M0, hot-dip galvanized</b>	B	1507,-	381,-	1888,-
Fixture with Safety Chain to Secure Gas Cylinders, hot-dip galvanized	B	38,-	12,-	50,-
<b>GFC-E/T M1, hot-dip galvanized</b>	B	2153,-	1547,-	3700,-
Fixture with Safety Chain to Secure Gas Cylinders, hot-dip galvanized	B	38,-	12,-	50,-
Rack for Gas Cylinders Type GFG, galvanized	B	197,-	173,-	370,-
Access Ramp AR, galvanized	B	157,-	22,-	179,-
Central Dividing Wall, galvanized	B	84,-	22,-	106,-
<b>GFC-E/T M2, hot-dip galvanized</b>	B	2365,-	1547,-	3912,-
Fixture with Safety Chain to Secure Gas Cylinders, hot-dip galvanized	B	38,-	12,-	50,-
Rack for Gas Cylinders Type GFG, galvanized	B	197,-	173,-	370,-
Access Ramp AR, galvanized	B	157,-	22,-	179,-
Central Dividing Wall, galvanized	B	124,-	32,-	156,-
<b>GFC-E/T M3, hot-dip galvanized</b>	B	2644,-	1547,-	4191,-
Fixture with Safety Chain to Secure Gas Cylinders, hot-dip galvanized	B	38,-	12,-	50,-
Rack for Gas Cylinders Type GFG, galvanized	B	197,-	173,-	370,-
Access Ramp AR, galvanized	B	157,-	22,-	179,-
Central Dividing Wall, galvanized	B	124,-	32,-	156,-
<b>GFC-E/T M4, hot-dip galvanized</b>	B	2859,-	1736,-	4595,-
Fixture with Safety Chain to Secure Gas Cylinders, hot-dip galvanized	B	38,-	12,-	50,-
Rack for Gas Cylinders Type GFG, galvanized	B	197,-	173,-	370,-
Access Ramp AR, galvanized	B	157,-	22,-	179,-
Central Dividing Wall, galvanized	B	124,-	32,-	156,-
<b>GFC-E/T M5, hot-dip galvanized</b>	B	3553,-	1736,-	5289,-
Fixture with Safety Chain to Secure Gas Cylinders, hot-dip galvanized	B	38,-	12,-	50,-
Rack for Gas Cylinders Type GFG, galvanized	B	197,-	173,-	370,-
Access Ramp AR, galvanized	B	157,-	22,-	179,-
Central Dividing Wall, galvanized	B	184,-	40,-	224,-

Prices in EUR, valid EXW DE-46354 Südlohn, DE-38820 Halberstadt, unpacked  
Freight charges valid CPT Norway, islands and oversea territories excluded

# Price List 0424 en-NO

## Environment / Storage



Gas Cylinder Containers Type GFC-M/D	Category	Price	Freight charges	Price including freight charges
<b>GFC-M0/D, hot-dip galvanized</b>	B	993,-	254,-	1247,-
Grid Floor for Gas Cylinder Container GFC-M0, hot-dip galvanized	B	146,-	72,-	218,-
Fixture with Safety Chain to Secure Gas Cylinders, hot-dip galvanized	B	38,-	12,-	50,-
<b>GFC-M1/D, hot-dip galvanized</b>	B	1204,-	381,-	1585,-
Grid Floor for Gas Cylinder Container GFC-M1, hot-dip galvanized	B	264,-	173,-	437,-
Fixture with Safety Chain to Secure Gas Cylinders, hot-dip galvanized	B	38,-	12,-	50,-
Rack for Gas Cylinders Type GFG, galvanized	B	197,-	173,-	370,-
<b>GFC-M2/D, hot-dip galvanized</b>	B	1282,-	381,-	1663,-
Grid Floor for Gas Cylinder Container GFC-M2, hot-dip galvanized	B	362,-	173,-	535,-
Fixture with Safety Chain to Secure Gas Cylinders, hot-dip galvanized	B	38,-	12,-	50,-
Rack for Gas Cylinders Type GFG, galvanized	B	197,-	173,-	370,-
<b>GFC-M3/D, hot-dip galvanized</b>	B	1447,-	381,-	1828,-
Grid Floor for Gas Cylinder Container GFC-M3, hot-dip galvanized	B	492,-	254,-	746,-
Fixture with Safety Chain to Secure Gas Cylinders, hot-dip galvanized	B	38,-	12,-	50,-
Rack for Gas Cylinders Type GFG, galvanized	B	197,-	173,-	370,-
<b>GFC-M4/D, hot-dip galvanized</b>	B	1546,-	381,-	1927,-
Grid Floor for Gas Cylinder Container GFC-M4, hot-dip galvanized	B	605,-	254,-	859,-
Fixture with Safety Chain to Secure Gas Cylinders, hot-dip galvanized	B	38,-	12,-	50,-
Rack for Gas Cylinders Type GFG, galvanized	B	197,-	173,-	370,-
<b>GFC-M5/D, hot-dip galvanized</b>	B	1838,-	480,-	2318,-
Grid Floor for Gas Cylinder Container GFC-M5, hot-dip galvanized	B	739,-	254,-	993,-
Fixture with Safety Chain to Secure Gas Cylinders, hot-dip galvanized	B	38,-	12,-	50,-
Rack for Gas Cylinders Type GFG, galvanized	B	197,-	173,-	370,-
<b>Gas Cylinder Containers Type GFC-M</b>	<b>Category</b>	<b>Price</b>	<b>Freight charges</b>	<b>Price including freight charges</b>
<b>GFC-M1, hot-dip galvanized</b>	B	1063,-	254,-	1317,-
Grid Floor for Gas Cylinder Container GFC-M1, hot-dip galvanized	B	264,-	173,-	437,-
Fixture with Safety Chain to Secure Gas Cylinders, hot-dip galvanized	B	38,-	12,-	50,-
Rack for Gas Cylinders Type GFG, galvanized	B	197,-	173,-	370,-
<b>GFC-M2, hot-dip galvanized</b>	B	1129,-	381,-	1510,-
Grid Floor for Gas Cylinder Container GFC-M2, hot-dip galvanized	B	362,-	173,-	535,-
Fixture with Safety Chain to Secure Gas Cylinders, hot-dip galvanized	B	38,-	12,-	50,-
Rack for Gas Cylinders Type GFG, galvanized	B	197,-	173,-	370,-
<b>GFC-M3, hot-dip galvanized</b>	B	1267,-	381,-	1648,-
Grid Floor for Gas Cylinder Container GFC-M3, hot-dip galvanized	B	492,-	254,-	746,-
Fixture with Safety Chain to Secure Gas Cylinders, hot-dip galvanized	B	38,-	12,-	50,-
Rack for Gas Cylinders Type GFG, galvanized	B	197,-	173,-	370,-
<b>GFC-M4, hot-dip galvanized</b>	B	1333,-	381,-	1714,-
Grid Floor for Gas Cylinder Container GFC-M4, hot-dip galvanized	B	605,-	254,-	859,-
Fixture with Safety Chain to Secure Gas Cylinders, hot-dip galvanized	B	38,-	12,-	50,-
Rack for Gas Cylinders Type GFG, galvanized	B	197,-	173,-	370,-
<b>GFC-M5, hot-dip galvanized</b>	B	1547,-	381,-	1928,-
Grid Floor for Gas Cylinder Container GFC-M5, hot-dip galvanized	B	739,-	254,-	993,-
Fixture with Safety Chain to Secure Gas Cylinders, hot-dip galvanized	B	38,-	12,-	50,-
Rack for Gas Cylinders Type GFG, galvanized	B	197,-	173,-	370,-

Prices in EUR, valid EXW DE-46354 Südlohn, DE-38820 Halberstadt, unpacked  
Freight charges valid CPT Norway, islands and oversea territories excluded

# Price List 0424 en-NO

## Environment / Storage



Gas Cylinder Containers Type GFC-M/D-DF	Category	Price	Freight charges	Price including freight charges
<b>GFC-M1/D-DF, hot-dip galvanized</b>	B	1375,-	381,-	1756,-
Grid Floor for Gas Cylinder Container GFC-M1, hot-dip galvanized	B	264,-	173,-	437,-
Fixture with Safety Chain to Secure Gas Cylinders, hot-dip galvanized	B	38,-	12,-	50,-
Rack for Gas Cylinders Type GFG, galvanized	B	197,-	173,-	370,-
<b>GFC-M2/D-DF, hot-dip galvanized</b>	B	1452,-	381,-	1833,-
Grid Floor for Gas Cylinder Container GFC-M2, hot-dip galvanized	B	362,-	173,-	535,-
Fixture with Safety Chain to Secure Gas Cylinders, hot-dip galvanized	B	38,-	12,-	50,-
Rack for Gas Cylinders Type GFG, galvanized	B	197,-	173,-	370,-
<b>GFC-M3/D-DF, hot-dip galvanized</b>	B	1618,-	381,-	1999,-
Grid Floor for Gas Cylinder Container GFC-M3, hot-dip galvanized	B	492,-	254,-	746,-
Fixture with Safety Chain to Secure Gas Cylinders, hot-dip galvanized	B	38,-	12,-	50,-
Rack for Gas Cylinders Type GFG, galvanized	B	197,-	173,-	370,-
<b>GFC-M4/D-DF, hot-dip galvanized</b>	B	1748,-	480,-	2228,-
Grid Floor for Gas Cylinder Container GFC-M4, hot-dip galvanized	B	605,-	254,-	859,-
Fixture with Safety Chain to Secure Gas Cylinders, hot-dip galvanized	B	38,-	12,-	50,-
Rack for Gas Cylinders Type GFG, galvanized	B	197,-	173,-	370,-
<b>GFC-M5/D-DF, hot-dip galvanized</b>	B	2040,-	480,-	2520,-
Grid Floor for Gas Cylinder Container GFC-M5, hot-dip galvanized	B	739,-	254,-	993,-
Fixture with Safety Chain to Secure Gas Cylinders, hot-dip galvanized	B	38,-	12,-	50,-
Rack for Gas Cylinders Type GFG, galvanized	B	197,-	173,-	370,-
Gas Cylinder Containers Type GFC-M-DF	Category	Price	Freight charges	Price including freight charges
<b>GFC-M1-DF, hot-dip galvanized</b>	B	1232,-	254,-	1486,-
Grid Floor for Gas Cylinder Container GFC-M1, hot-dip galvanized	B	264,-	173,-	437,-
Fixture with Safety Chain to Secure Gas Cylinders, hot-dip galvanized	B	38,-	12,-	50,-
Rack for Gas Cylinders Type GFG, galvanized	B	197,-	173,-	370,-
<b>GFC-M2-DF, hot-dip galvanized</b>	B	1300,-	381,-	1681,-
Grid Floor for Gas Cylinder Container GFC-M2, hot-dip galvanized	B	362,-	173,-	535,-
Fixture with Safety Chain to Secure Gas Cylinders, hot-dip galvanized	B	38,-	12,-	50,-
Rack for Gas Cylinders Type GFG, galvanized	B	197,-	173,-	370,-
<b>GFC-M3-DF, hot-dip galvanized</b>	B	1439,-	381,-	1820,-
Grid Floor for Gas Cylinder Container GFC-M3, hot-dip galvanized	B	492,-	254,-	746,-
Fixture with Safety Chain to Secure Gas Cylinders, hot-dip galvanized	B	38,-	12,-	50,-
Rack for Gas Cylinders Type GFG, galvanized	B	197,-	173,-	370,-
<b>GFC-M4-DF, hot-dip galvanized</b>	B	1537,-	381,-	1918,-
Grid Floor for Gas Cylinder Container GFC-M4, hot-dip galvanized	B	605,-	254,-	859,-
Fixture with Safety Chain to Secure Gas Cylinders, hot-dip galvanized	B	38,-	12,-	50,-
Rack for Gas Cylinders Type GFG, galvanized	B	197,-	173,-	370,-
<b>GFC-M5-DF, hot-dip galvanized</b>	B	1750,-	480,-	2230,-
Grid Floor for Gas Cylinder Container GFC-M5, hot-dip galvanized	B	739,-	254,-	993,-
Fixture with Safety Chain to Secure Gas Cylinders, hot-dip galvanized	B	38,-	12,-	50,-
Rack for Gas Cylinders Type GFG, galvanized	B	197,-	173,-	370,-
Gas Cylinder Depot Type GFD-G	Category	Price	Freight charges	Price including freight charges
<b>GFD-G 1, galvanized</b>	B	414,-	254,-	668,-

Prices in EUR, valid EXW DE-46354 Südlohn, DE-38820 Halberstadt, unpacked  
Freight charges valid CPT Norway, islands and oversea territories excluded

# Price List 0424 en-NO

## Environment / Storage



Gas Cylinder Depot Type GFD-G	Category	Price	Freight charges	Price including freight charges
GFD-G 2, galvanized	B	763,-	254,-	1017,-
Gas Cylinder Depot Type GFD-L	Category	Price	Freight charges	Price including freight charges
GFD-L 1, galvanized	B	446,-	173,-	619,-
GFD-L 2, galvanized	B	850,-	254,-	1104,-
Gas Cylinder Depot Type GFD-R	Category	Price	Freight charges	Price including freight charges
GFD-R 2, painted	B	747,-	173,-	920,-
GFD-R 2, hot-dip galvanized	B	771,-	173,-	944,-
GFD-R 4, painted	B	849,-	173,-	1022,-
GFD-R 4, hot-dip galvanized	B	878,-	173,-	1051,-
Hazardous Materials Cabinet Type GS	Category	Price	Freight charges	Price including freight charges
GS-1, painted	B	762,-	254,-	1016,-
Intermediate Storage Level, galvanized	B	86,-	14,-	100,-
GS-1, hot-dip galvanized	B	820,-	254,-	1074,-
Intermediate Storage Level, galvanized	B	86,-	14,-	100,-
GS-2, painted	B	1013,-	381,-	1394,-
Intermediate Storage Level, galvanized	B	86,-	14,-	100,-
GS-2, hot-dip galvanized	B	1100,-	381,-	1481,-
Intermediate Storage Level, galvanized	B	86,-	14,-	100,-
GS-3, painted	B	2070,-	480,-	2550,-
GS-3, hot-dip galvanized	B	2217,-	480,-	2697,-
GS-4, painted	B	2081,-	1309,-	3390,-
GS-4, hot-dip galvanized	B	2260,-	1309,-	3569,-
Gas Cylinder Wall Bracket Type GWH	Category	Price	Freight charges	Price including freight charges
GWH 140-I, hot-dip galvanized	F	25,-	70,-	95,-
GWH 140-II, hot-dip galvanized	F	38,-	70,-	108,-
GWH 140-III, hot-dip galvanized	F	57,-	70,-	127,-
GWH 230-I, hot-dip galvanized	F	27,-	70,-	97,-
GWH 230-II, hot-dip galvanized	F	41,-	70,-	111,-
GWH 230-III, hot-dip galvanized	F	62,-	70,-	132,-
GWH 320-I, hot-dip galvanized	F	28,-	70,-	98,-
GWH 320-II, hot-dip galvanized	F	46,-	70,-	116,-
GWH 320-III, hot-dip galvanized	F	69,-	70,-	139,-
Tilting Canister Stand Type KAH	Category	Price	Freight charges	Price including freight charges
KAH-5, galvanized	A	92,-	70,-	162,-
KAH-25, galvanized	A	105,-	70,-	175,-
KAH-60, galvanized	A	135,-	70,-	205,-
Spill Tray for Canisters/Small Cans Type KGW	Category	Price	Freight charges	Price including freight charges
KGW 1, galvanized	B	88,-	70,-	158,-
KGW 1 V4A, stainless steel 1.4571	B	270,-	70,-	340,-

Prices in EUR, valid EXW DE-46354 Südlohn, DE-38820 Halberstadt, unpacked  
Freight charges valid CPT Norway, islands and oversea territories excluded

# Price List 0424 en-NO

## Environment / Storage



Spill Tray for Canisters/Small Cans Type KGW	Category	Price	Freight charges	Price including freight charges
KGW 2, galvanized	B	92,-	70,-	162,-
KGW 2 V4A, stainless steel 1.4571	B	311,-	70,-	381,-
KGW 3, galvanized	B	96,-	70,-	166,-
KGW 3 V4A, stainless steel 1.4571	B	386,-	70,-	456,-
KGW 4, galvanized	B	113,-	173,-	286,-
KGW 4 V4A, stainless steel 1.4571	B	456,-	173,-	629,-
KGW 5, galvanized	B	155,-	173,-	328,-
KGW 5 V4A, stainless steel 1.4571	B	593,-	173,-	766,-

Spill Tray for Canisters/Small Cans Type KGW/M	Category	Price	Freight charges	Price including freight charges
KGW 1/M, galvanized	B	124,-	70,-	194,-
KGW 1/M V4A, stainless steel 1.4571	B	406,-	70,-	476,-
KGW 2/M, galvanized	B	132,-	70,-	202,-
KGW 2/M V4A, stainless steel 1.4571	B	468,-	70,-	538,-
KGW 3/M, galvanized	B	151,-	70,-	221,-
KGW 3/M V4A, stainless steel 1.4571	B	589,-	70,-	659,-
KGW 4/M, galvanized	B	175,-	173,-	348,-
KGW 4/M V4A, stainless steel 1.4571	B	705,-	173,-	878,-
KGW 5/M, galvanized	B	227,-	173,-	400,-
KGW 5/M V4A, stainless steel 1.4571	B	929,-	173,-	1102,-

Spill Tray for Canisters/Small Cans on Pallets Type KGW-P	Category	Price	Freight charges	Price including freight charges
KGW-P 1, galvanized	B	94,-	70,-	164,-
KGW-P 1 V4A, stainless steel 1.4571	B	266,-	70,-	336,-
KGW-P 2, galvanized	B	142,-	70,-	212,-
KGW-P 2 V4A, stainless steel 1.4571	B	382,-	70,-	452,-
KGW-P 3, galvanized	B	178,-	173,-	351,-
KGW-P 3 V4A, stainless steel 1.4571	B	586,-	70,-	656,-
KGW-P 4, galvanized	B	169,-	70,-	239,-
KGW-P 4 V4A, stainless steel 1.4571	B	450,-	70,-	520,-

Spill Tray for Canisters/Small Cans on Pallets Type KGW-P/M	Category	Price	Freight charges	Price including freight charges
KGW-P 1/M, galvanized	B	137,-	70,-	207,-
KGW-P 1/M V4A, stainless steel 1.4571	B	385,-	70,-	455,-
KGW-P 2/M, galvanized	B	210,-	70,-	280,-
KGW-P 2/M V4A, stainless steel 1.4571	B	559,-	70,-	629,-
KGW-P 3/M, galvanized	B	256,-	173,-	429,-
KGW-P 3/M V4A, stainless steel 1.4571	B	864,-	173,-	1037,-
KGW-P 4/M, galvanized	B	241,-	70,-	311,-
KGW-P 4/M V4A, stainless steel 1.4571	B	694,-	70,-	764,-

Diesel Filling Point Type KPS	Category	Price	Freight charges	Price including freight charges
KPS 1, painted	B	2865,-	on request	on request
KPS 2, painted	B	3723,-	on request	on request
KPS 3, painted	B	5248,-	on request	on request

Prices in EUR, valid EXW DE-46354 Südlohn, DE-38820 Halberstadt, unpacked  
Freight charges valid CPT Norway, islands and oversea territories excluded

# Price List 0424 en-NO

## Environment / Storage



Polyethylene Sump Tray for Pallets Type KWP-P	Category	Price	Freight charges	Price including freight charges
<b>KWP-P 20, made of robust polyethylene</b>	B	46,-	70,-	116,-
Deck with Punched Holes LR-PE 20, robust polyethylene, black	B	61,-	14,-	75,-
<b>KWP-P 30, made of robust polyethylene</b>	B	56,-	70,-	126,-
Deck with Punched Holes LR-PE 30, robust polyethylene, black	B	63,-	14,-	77,-
<b>KWP-P 40, made of robust polyethylene</b>	B	62,-	70,-	132,-
Deck with Punched Holes LR-PE 40, robust polyethylene, black	B	67,-	14,-	81,-
<b>KWP-P 60, made of robust polyethylene</b>	B	99,-	70,-	169,-
Deck with punched holes LR-PE 60, robust polyethylene, black	B	70,-	14,-	84,-
<b>KWP-P 100, made of robust polyethylene</b>	B	113,-	173,-	286,-
Deck with punched holes LR-PE 100, robust polyethylene, black	B	86,-	16,-	102,-

Mobile Sump Tray with Perforated Panel Type LPW	Category	Price	Freight charges	Price including freight charges
<b>LPW 60-1, painted</b>	B	605,-	173,-	778,-
Tool Deposit for Sump Trays with Perforated Panel Type LPW	B	30,-	16,-	46,-
Drip Tray for Sump Trays with Perforated Panel Type LPW	B	48,-	16,-	64,-
<b>LPW 60-1, hot-dip galvanized</b>	B	623,-	173,-	796,-
Tool Deposit for Sump Trays with Perforated Panel Type LPW	B	30,-	16,-	46,-
Drip Tray for Sump Trays with Perforated Panel Type LPW	B	48,-	16,-	64,-
<b>LPW 60-2, painted</b>	B	618,-	173,-	791,-
Tool Deposit for Sump Trays with Perforated Panel Type LPW	B	30,-	16,-	46,-
Drip Tray for Sump Trays with Perforated Panel Type LPW	B	48,-	16,-	64,-
<b>LPW 60-2, hot-dip galvanized</b>	B	638,-	173,-	811,-
Tool Deposit for Sump Trays with Perforated Panel Type LPW	B	30,-	16,-	46,-
Drip Tray for Sump Trays with Perforated Panel Type LPW	B	48,-	16,-	64,-
<b>LPW 60-3, painted</b>	B	624,-	173,-	797,-
Tool Deposit for Sump Trays with Perforated Panel Type LPW	B	30,-	16,-	46,-
Drip Tray for Sump Trays with Perforated Panel Type LPW	B	48,-	16,-	64,-
<b>LPW 60-3, hot-dip galvanized</b>	B	644,-	173,-	817,-
Tool Deposit for Sump Trays with Perforated Panel Type LPW	B	30,-	16,-	46,-
Drip Tray for Sump Trays with Perforated Panel Type LPW	B	48,-	16,-	64,-
<b>LPW 200-1, painted</b>	B	794,-	254,-	1048,-
Tool Deposit for Sump Trays with Perforated Panel Type LPW	B	30,-	16,-	46,-
Drip Tray for Sump Trays with Perforated Panel Type LPW	B	48,-	16,-	64,-
<b>LPW 200-1, hot-dip galvanized</b>	B	827,-	254,-	1081,-
Tool Deposit for Sump Trays with Perforated Panel Type LPW	B	30,-	16,-	46,-
Drip Tray for Sump Trays with Perforated Panel Type LPW	B	48,-	16,-	64,-
<b>LPW 200-2, painted</b>	B	833,-	254,-	1087,-
Tool Deposit for Sump Trays with Perforated Panel Type LPW	B	30,-	16,-	46,-
Drip Tray for Sump Trays with Perforated Panel Type LPW	B	48,-	16,-	64,-
<b>LPW 200-2, hot-dip galvanized</b>	B	868,-	254,-	1122,-
Tool Deposit for Sump Trays with Perforated Panel Type LPW	B	30,-	16,-	46,-
Drip Tray for Sump Trays with Perforated Panel Type LPW	B	48,-	16,-	64,-
<b>LPW 200-3, painted</b>	B	848,-	254,-	1102,-
Tool Deposit for Sump Trays with Perforated Panel Type LPW	B	30,-	16,-	46,-
Drip Tray for Sump Trays with Perforated Panel Type LPW	B	48,-	16,-	64,-
<b>LPW 200-3, hot-dip galvanized</b>	B	883,-	254,-	1137,-

Prices in EUR, valid EXW DE-46354 Südlohn, DE-38820 Halberstadt, unpacked  
Freight charges valid CPT Norway, islands and oversea territories excluded



# Price List 0424 en-NO

## Environment / Storage



Mobile Sump Tray with Perforated Panel Type LPW	Category	Price	Freight charges	Price including freight charges
Tool Deposit for Sump Trays with Perforated Panel Type LPW	B	30,-	16,-	46,-
Drip Tray for Sump Trays with Perforated Panel Type LPW	B	48,-	16,-	64,-
LPW 200-4, painted	B	1019,-	254,-	1273,-
LPW 200-4, hot-dip galvanized	B	1049,-	254,-	1303,-

Modular Sump Tray Type MAW	Category	Price	Freight charges	Price including freight charges
MAW, painted	B	324,-	173,-	497,-
MAW, hot-dip galvanized	B	353,-	173,-	526,-
Element No. 1: grid grate incl. supportS, painted	B	75,-	18,-	93,-
Element No. 2: galvanized handle + castors	B	133,-	19,-	152,-
Element No. 3: runners, painted	B	99,-	15,-	114,-
Element No. 3: runners, hot-dip galvanized	B	63,-	15,-	78,-
Element No. 6: surround, galvanized	B	580,-	173,-	753,-

Spline Sump Type PW	Category	Price	Freight charges	Price including freight charges
PW 200-2, painted	B	236,-	173,-	409,-
PW 200-2, hot-dip galvanized	B	227,-	173,-	400,-
PW 200-4, painted	B	261,-	173,-	434,-
PW 200-4, hot-dip galvanized	B	252,-	173,-	425,-
PW 400-4, painted	B	337,-	173,-	510,-
PW 400-4, hot-dip galvanized	B	320,-	173,-	493,-

Spline Sump Type PWE	Category	Price	Freight charges	Price including freight charges
PWE 200-2, painted	B	209,-	173,-	382,-
PWE 200-2, hot-dip galvanized	B	200,-	173,-	373,-
PWE 200-4, painted	B	228,-	173,-	401,-
PWE 200-4, hot-dip galvanized	B	220,-	173,-	393,-
PWE 400-4, painted	B	278,-	173,-	451,-
PWE 400-4, hot-dip galvanized	B	268,-	173,-	441,-

Hazardous Materials Cabinet with Roller Shutter Door Type RSG	Category	Price	Freight charges	Price including freight charges
RSG-1, painted	B	1841,-	254,-	2095,-
Set of 4 Feet, height adjustable	B	77,-	9,-	86,-
RSG-2, painted	B	1855,-	254,-	2109,-
Set of 4 Feet, height adjustable	B	77,-	9,-	86,-
RSG-3, painted	B	1904,-	254,-	2158,-
Set of 4 Feet, height adjustable	B	77,-	9,-	86,-
RSG-4, painted	B	2037,-	381,-	2418,-
Set of 4 Feet, height adjustable	B	77,-	9,-	86,-

Shelf Sump with Polyethylene Inlay Type RW PE	Category	Price	Freight charges	Price including freight charges
RW 1800 PE, painted	B	1008,-	254,-	1262,-
RW 1800 PE, hot-dip galvanized	B	1062,-	254,-	1316,-
RW 2200-1 PE, painted	B	1052,-	254,-	1306,-
RW 2200-1 PE, hot-dip galvanized	B	1108,-	254,-	1362,-

Prices in EUR, valid EXW DE-46354 Südlohn, DE-38820 Halberstadt, unpacked  
 Freight charges valid CPT Norway, islands and oversea territories excluded

# Price List 0424 en-NO

## Environment / Storage



Shelf Sump with Polyethylene Inlay Type RW PE	Category	Price	Freight charges	Price including freight charges
RW 2200-2 PE, painted	B	1232,-	254,-	1486,-
RW 2200-2 PE, hot-dip galvanized	B	1295,-	254,-	1549,-
RW 2700-1 PE, painted	B	1070,-	304,-	1374,-
RW 2700-1 PE, hot-dip galvanized	B	1151,-	304,-	1455,-
RW 2700-2 PE, painted	B	1223,-	304,-	1527,-
RW 2700-2 PE, hot-dip galvanized	B	1318,-	304,-	1622,-
RW 2700-3 PE, painted	B	1416,-	304,-	1720,-
RW 2700-3 PE, hot-dip galvanized	B	1538,-	304,-	1842,-
RW 3300-1 PE, painted	B	1369,-	304,-	1673,-
RW 3300-1 PE, hot-dip galvanized	B	1458,-	304,-	1762,-
RW 3300-2 PE, painted	B	1483,-	304,-	1787,-
RW 3300-2 PE, hot-dip galvanized	B	1581,-	304,-	1885,-
RW 3300-3 PE, painted	B	1679,-	431,-	2110,-
RW 3300-3 PE, hot-dip galvanized	B	1787,-	431,-	2218,-

Shelf Sump Type RW	Category	Price	Freight charges	Price including freight charges
RW 1800, painted	B	489,-	173,-	662,-
RW 1800, hot-dip galvanized	B	542,-	173,-	715,-
RW 2200-1, painted	B	501,-	173,-	674,-
RW 2200-1, hot-dip galvanized	B	557,-	173,-	730,-
RW 2200-2, painted	B	514,-	254,-	768,-
RW 2200-2, hot-dip galvanized	B	576,-	254,-	830,-
RW 2700-1, painted	B	510,-	304,-	814,-
RW 2700-1, hot-dip galvanized	B	590,-	304,-	894,-
RW 2700-2, painted	B	586,-	304,-	890,-
RW 2700-2, hot-dip galvanized	B	682,-	304,-	986,-
RW 2700-3, painted	B	634,-	304,-	938,-
RW 2700-3, hot-dip galvanized	B	754,-	304,-	1058,-
RW 3300-1, painted	B	657,-	304,-	961,-
RW 3300-1, hot-dip galvanized	B	747,-	304,-	1051,-
RW 3300-2, painted	B	722,-	304,-	1026,-
RW 3300-2, hot-dip galvanized	B	821,-	304,-	1125,-
RW 3300-3, painted	B	805,-	304,-	1109,-
RW 3300-3, hot-dip galvanized	B	913,-	304,-	1217,-

Shelf Sump with Polyethylene Inlay Type RW-GR PE	Category	Price	Freight charges	Price including freight charges
RW-GR 1800 PE, painted	B	1138,-	254,-	1392,-
RW-GR 1800 PE, hot-dip galvanized	B	1189,-	254,-	1443,-
RW-GR 2200-1 PE, painted	B	1212,-	254,-	1466,-
RW-GR 2200-1 PE, hot-dip galvanized	B	1268,-	254,-	1522,-
RW-GR 2200-2 PE, painted	B	1394,-	381,-	1775,-
RW-GR 2200-2 PE, hot-dip galvanized	B	1454,-	381,-	1835,-
RW-GR 2700-1 PE, painted	B	1268,-	431,-	1699,-
RW-GR 2700-1 PE, hot-dip galvanized	B	1347,-	431,-	1778,-
RW-GR 2700-2 PE, painted	B	1419,-	431,-	1850,-

Prices in EUR, valid EXW DE-46354 Südlohn, DE-38820 Halberstadt, unpacked  
Freight charges valid CPT Norway, islands and oversea territories excluded

# Price List 0424 en-NO

## Environment / Storage



Shelf Sump with Polyethylene Inlay Type RW-GR PE	Category	Price	Freight charges	Price including freight charges
RW-GR 2700-2 PE, hot-dip galvanized	B	1516,-	431,-	1947,-
RW-GR 2700-3 PE, painted	B	1614,-	431,-	2045,-
RW-GR 2700-3 PE, hot-dip galvanized	B	1715,-	431,-	2146,-
RW-GR 3300-1 PE, painted	B	1729,-	431,-	2160,-
RW-GR 3300-1 PE, hot-dip galvanized	B	1818,-	431,-	2249,-
RW-GR 3300-2 PE, painted	B	1841,-	431,-	2272,-
RW-GR 3300-2 PE, hot-dip galvanized	B	1949,-	431,-	2380,-
RW-GR 3300-3 PE, painted	B	2038,-	530,-	2568,-
RW-GR 3300-3 PE, hot-dip galvanized	B	2146,-	530,-	2676,-

Shelf Sump Type RW-GR	Category	Price	Freight charges	Price including freight charges
RW-GR 1800, painted	B	619,-	254,-	873,-
RW-GR 1800, hot-dip galvanized	B	672,-	254,-	926,-
RW-GR 2200-1, painted	B	662,-	254,-	916,-
RW-GR 2200-1, hot-dip galvanized	B	719,-	254,-	973,-
RW-GR 2200-2, painted	B	676,-	381,-	1057,-
RW-GR 2200-2, hot-dip galvanized	B	735,-	381,-	1116,-
RW-GR 2700-1, painted	B	707,-	304,-	1011,-
RW-GR 2700-1, hot-dip galvanized	B	787,-	431,-	1218,-
RW-GR 2700-2, painted	B	783,-	431,-	1214,-
RW-GR 2700-2, hot-dip galvanized	B	880,-	431,-	1311,-
RW-GR 2700-3, painted	B	831,-	431,-	1262,-
RW-GR 2700-3, hot-dip galvanized	B	933,-	431,-	1364,-
RW-GR 3300-1, painted	B	1016,-	431,-	1447,-
RW-GR 3300-1, hot-dip galvanized	B	1107,-	431,-	1538,-
RW-GR 3300-2, painted	B	1081,-	431,-	1512,-
RW-GR 3300-2, hot-dip galvanized	B	1188,-	431,-	1619,-
RW-GR 3300-3, painted	B	1165,-	431,-	1596,-
RW-GR 3300-3, hot-dip galvanized	B	1272,-	431,-	1703,-
RW-GR 3600-3, painted	B	1285,-	431,-	1716,-
RW-GR 3600-3, hot-dip galvanized	B	1432,-	431,-	1863,-

Safety Cabinet Type SIW	Category	Price	Freight charges	Price including freight charges
SIW 1005	B	575,-	173,-	748,-
SIW 2005	B	725,-	254,-	979,-

Diesel Filling Point Type TAW	Category	Price	Freight charges	Price including freight charges
TAW 1, painted	B	2365,-	on request	on request
TAW 2, painted	B	3086,-	on request	on request
TAW 3, painted	B	4447,-	on request	on request

Stainless Steel Sump Tray Type VAW	Category	Price	Freight charges	Price including freight charges
VAW-1, stainless steel 1.4571	B	956,-	173,-	1129,-
Grid, stainless steel 1.4571	B	477,-	14,-	491,-
Grid, hot-dip galvanized	B	68,-	14,-	82,-

Prices in EUR, valid EXW DE-46354 Südlohn, DE-38820 Halberstadt, unpacked  
Freight charges valid CPT Norway, islands and oversea territories excluded

# Price List 0424 en-NO

## Environment / Storage



Stainless Steel Sump Tray Type VAW	Category	Price	Freight charges	Price including freight charges
<b>VAW-2, stainless steel 1.4571</b>	B	1042,-	173,-	1215,-
Grid, stainless steel 1.4571	B	706,-	16,-	722,-
Grid, hot-dip galvanized	B	91,-	38,-	129,-
<b>VAW-4/A, stainless steel 1.4571</b>	B	1194,-	173,-	1367,-
Grid, stainless steel 1.4571	B	1025,-	22,-	1047,-
Grid, hot-dip galvanized	B	119,-	22,-	141,-
<b>VAW-4/B, stainless steel 1.4571</b>	B	1459,-	173,-	1632,-
Grid, stainless steel 1.4571	B	1411,-	27,-	1438,-
Grid, hot-dip galvanized	B	163,-	27,-	190,-
<b>VAW 1000, stainless steel 1.4571</b>	B	2633,-	254,-	2887,-
Grid, stainless steel 1.4571	B	1143,-	28,-	1171,-
Grid, hot-dip galvanized	B	138,-	28,-	166,-
<b>VAW 1000-2, stainless steel 1.4571</b>	B	3216,-	304,-	3520,-
Grid, stainless steel 1.4571	B	2070,-	173,-	2243,-
Grid, hot-dip galvanized	B	224,-	173,-	397,-

Heating Chamber Type WK	Category	Price	Freight charges	Price including freight charges
<b>WK 29-2 E65, painted</b>	C	29650,-	on request	on request
<b>WK 29-2 E85, painted</b>	C	29815,-	on request	on request
<b>WK 57-2 E65, painted</b>	C	41623,-	on request	on request
<b>WK 57-2 E85, painted</b>	C	44000,-	on request	on request

Sump Tray Type WM	Category	Price	Freight charges	Price including freight charges
<b>WM-2/200, hot-dip galvanized</b>	B	280,-	173,-	453,-
Drum Support FA 60-1, hot-dip galvanized	B	105,-	15,-	120,-
Drum Support FA 60-2, hot-dip galvanized	B	114,-	18,-	132,-
Drum Support FA 60-3, hot-dip galvanized	B	133,-	21,-	154,-
Drum Support FA 200-1, hot-dip galvanized	B	114,-	15,-	129,-
Can Shelf Type GR-A, galvanized	B	133,-	70,-	203,-
Can Shelf Type GR-B, galvanized	B	133,-	70,-	203,-
Can Shelf Type GR-C, galvanized	B	133,-	70,-	203,-
<b>WM-4/200, hot-dip galvanized</b>	B	318,-	173,-	491,-
Drum Support FA 60-1, hot-dip galvanized	B	105,-	15,-	120,-
Drum Support FA 60-2, hot-dip galvanized	B	114,-	18,-	132,-
Drum Support FA 60-3, hot-dip galvanized	B	133,-	21,-	154,-
Drum Support FA 200-1, hot-dip galvanized	B	114,-	15,-	129,-
Drum Support FA 200-2, hot-dip galvanized	B	133,-	22,-	155,-
Can Shelf Type GR-A, galvanized	B	133,-	70,-	203,-
Can Shelf Type GR-B, galvanized	B	133,-	70,-	203,-
Can Shelf Type GR-C, galvanized	B	133,-	70,-	203,-
<b>WM-4/400, hot-dip galvanized</b>	B	382,-	254,-	636,-

Sump Tray Type WO	Category	Price	Freight charges	Price including freight charges
<b>WO-2/200, hot-dip galvanized</b>	B	213,-	173,-	386,-
<b>WO-4/200, hot-dip galvanized</b>	B	231,-	173,-	404,-

Prices in EUR, valid EXW DE-46354 Südlohn, DE-38820 Halberstadt, unpacked  
 Freight charges valid CPT Norway, islands and oversea territories excluded

# Price List 0424 en-NO

## Environment / Storage



Sump Tray Type WO	Category	Price	Freight charges	Price including freight charges
WO-4/400, hot-dip galvanized	B	298,-	173,-	471,-
Polyethylene Sump Pallet Type WP	Category	Price	Freight charges	Price including freight charges
WP 1/11, made of robust polyethylene	B	1052,-	173,-	1225,-
WP 2/11, made of robust polyethylene	B	1330,-	173,-	1503,-
Dispensing Tray VB 2, robust polyethylene, blue	B	152,-	70,-	222,-
Polyethylene Sump Pallet Type WPA-PE	Category	Price	Freight charges	Price including freight charges
WPA-PE 2/2, made of robust polyethylene	B	313,-	173,-	486,-
WPA-PE 4/2, made of robust polyethylene	B	494,-	173,-	667,-
Polyethylene Sump Pallet Type WP-PE	Category	Price	Freight charges	Price including freight charges
WP-PE 1/11, made of robust polyethylene	B	1139,-	173,-	1312,-
Dispensing Tray VB 1, robust polyethylene, blue	B	163,-	70,-	233,-
WP-PE 2/11, made of robust polyethylene	B	1507,-	304,-	1811,-
Dispensing Tray VB 2, robust polyethylene, blue	B	152,-	70,-	222,-
WP-PE 2/2, made of robust polyethylene	B	290,-	173,-	463,-
WP-PE 4/2, made of robust polyethylene	B	453,-	173,-	626,-
WP-PE 4/4, made of robust polyethylene	B	470,-	173,-	643,-
WP-PE 8/11, made of robust polyethylene	B	1507,-	304,-	1811,-
Mobile Polyethylene Sump Tray Type WPT	Category	Price	Freight charges	Price including freight charges
WPT 230, made of robust polyethylene	B	519,-	173,-	692,-

Prices in EUR, valid EXW DE-46354 Südlohn, DE-38820 Halberstadt, unpacked  
Freight charges valid CPT Norway, islands and oversea territories excluded

## Price List 0424 en-NO

### Hazardous Materials Containers

Fluorescent Tube Box Type AL-D	Category	Price	Freight charges	Price including freight charges
AL-D 150, aluminium	C	500,-	173,-	673,-
AL-D 200, aluminium	C	551,-	173,-	724,-
Collecting Container Type ASB	Category	Price	Freight charges	Price including freight charges
ASB 250, hot-dip galvanized	C	1969,-	381,-	2350,-
ASB 450-I, hot-dip galvanized	C	2082,-	381,-	2463,-
Special Waste Container Type ASK	Category	Price	Freight charges	Price including freight charges
ASK 540-4, hot-dip galvanized	C	on request	on request	on request
Duo-Container Type DC	Category	Price	Freight charges	Price including freight charges
DC 450, hot-dip galvanized	C	2267,-	on request	on request
Stainless steel strainer	D	113,-	9,-	122,-
Wing nut spanner for M12, hot-dip galvanized	F	33,-	15,-	48,-
DC 1000, hot-dip galvanized	C	2408,-	on request	on request
Stainless steel strainer	D	113,-	9,-	122,-
Wing nut spanner for M12, hot-dip galvanized	F	33,-	15,-	48,-
Lithium-Ion Storage Container Type LIL	Category	Price	Freight charges	Price including freight charges
LIL 30, hot-dip galvanized	B	1871,-	173,-	2044,-
LIL 90, hot-dip galvanized	B	2720,-	254,-	2974,-
Castor Set, polyamide, Load capacity 1050 kg / castor set	A	150,-	15,-	165,-
LIL 220, hot-dip galvanized	B	4699,-	381,-	5080,-
Castor Set, polyamide, Load capacity 1050 kg / castor set	A	150,-	15,-	165,-
LIL 280, hot-dip galvanized	B	5685,-	381,-	6066,-
Castor Set, polyamide, Load capacity 1050 kg / castor set	A	150,-	15,-	165,-
MobiCont Type M 800	Category	Price	Freight charges	Price including freight charges
M 800, painted	C	1342,-	381,-	1723,-
Level Indicator	C	212,-	9,-	221,-
Funnel for filling, PP	D	65,-	9,-	74,-
Filling/Extraction lid	C	65,-	9,-	74,-
Lid, galvanized, without a lock	C	188,-	15,-	203,-
Lid, galvanized, with square lock	C	233,-	18,-	251,-
Lid, galvanized, with cylinder lock	C	233,-	18,-	251,-
Castor Set, polyamide, Load capacity 1350 kg / castor set	A	185,-	15,-	200,-
Hand Pump K 10 C, connects to drum thread, suitable for fuels and heating fuel	C	91,-	14,-	105,-
Hose Kit (1.5 m) for Hand Pump Type K 10 C, suitable for diesel and fuel	C	65,-	14,-	79,-
Hose Kit (3 m) for Hand Pump Type K 10 C, suitable for diesel and fuel	C	92,-	15,-	107,-
Hose Kit (4 m) for Hand Pump Type K 10 C, suitable for diesel and fuel	C	105,-	15,-	120,-
Electric Pump TecPump 400 DC 12V	C	492,-	15,-	507,-

Prices in EUR, valid EXW DE-46354 Südlohn, DE-38820 Halberstadt, unpacked  
Freight charges valid CPT Norway, islands and oversea territories excluded

# Price List 0424 en-NO

## Hazardous Materials Containers



MobiCont Type M 800	Category	Price	Freight charges	Price including freight charges
Electric Pump TecPump 400 DC 24V	C	492,-	15,-	507,-
Electric Pump TecPump 600 AC 230V	C	492,-	15,-	507,-
<b>M 800, hot-dip galvanized</b>	C	1432,-	381,-	1813,-
Level Indicator	C	212,-	9,-	221,-
Funnel for filling, PP	D	65,-	9,-	74,-
Filling/Extraction lid	C	65,-	9,-	74,-
Lid, galvanized, without a lock	C	188,-	15,-	203,-
Lid, galvanized, with square lock	C	233,-	18,-	251,-
Lid, galvanized, with cylinder lock	C	233,-	18,-	251,-
Castor Set, polyamide, Load capacity 1350 kg / castor set	A	185,-	15,-	200,-
Hand Pump K 10 C, connects to drum thread, suitable for fuels and heating fuel	C	91,-	14,-	105,-
Hose Kit (1.5 m) for Hand Pump Type K 10 C, suitable for diesel and fuel	C	65,-	14,-	79,-
Hose Kit (3 m) for Hand Pump Type K 10 C, suitable for diesel and fuel	C	92,-	15,-	107,-
Hose Kit (4 m) for Hand Pump Type K 10 C, suitable for diesel and fuel	C	105,-	15,-	120,-
Electric Pump TecPump 400 DC 12V	C	492,-	15,-	507,-
Electric Pump TecPump 400 DC 24V	C	492,-	15,-	507,-
Electric Pump TecPump 600 AC 230V	C	492,-	15,-	507,-

MobiCont Type MD	Category	Price	Freight charges	Price including freight charges
<b>MD 800, painted</b>	C	1868,-	381,-	2249,-
Level Indicator	C	212,-	9,-	221,-
Hand Pump K 10 C, connects to drum thread, suitable for fuels and heating fuel	C	91,-	14,-	105,-
Hose Kit (1.5 m) for Hand Pump Type K 10 C, suitable for diesel and fuel	C	65,-	14,-	79,-
Hose Kit (3 m) for Hand Pump Type K 10 C, suitable for diesel and fuel	C	92,-	15,-	107,-
Hose Kit (4 m) for Hand Pump Type K 10 C, suitable for diesel and fuel	C	105,-	15,-	120,-
Electric Pump TecPump 400 DC 12V	C	492,-	15,-	507,-
Electric Pump TecPump 400 DC 24V	C	492,-	15,-	507,-
Electric Pump TecPump 600 AC 230V	C	492,-	15,-	507,-
<b>MD 800, hot-dip galvanized</b>	C	1956,-	381,-	2337,-
Level Indicator	C	212,-	9,-	221,-
Hand Pump K 10 C, connects to drum thread, suitable for fuels and heating fuel	C	91,-	14,-	105,-
Hose Kit (1.5 m) for Hand Pump Type K 10 C, suitable for diesel and fuel	C	65,-	14,-	79,-
Hose Kit (3 m) for Hand Pump Type K 10 C, suitable for diesel and fuel	C	92,-	15,-	107,-
Hose Kit (4 m) for Hand Pump Type K 10 C, suitable for diesel and fuel	C	105,-	15,-	120,-
Electric Pump TecPump 400 DC 12V	C	492,-	15,-	507,-
Electric Pump TecPump 400 DC 24V	C	492,-	15,-	507,-
Electric Pump TecPump 600 AC 230V	C	492,-	15,-	507,-

MobiCont Type MO	Category	Price	Freight charges	Price including freight charges
<b>MO 800, painted</b>	C	on request	on request	on request
Level Indicator	C	212,-	9,-	221,-
<b>MO 800, hot-dip galvanized</b>	C	on request	on request	on request
Level Indicator	C	212,-	9,-	221,-

Prices in EUR, valid EXW DE-46354 Südlohn, DE-38820 Halberstadt, unpacked  
 Freight charges valid CPT Norway, islands and oversea territories excluded

# Price List 0424 en-NO

## Hazardous Materials Containers



Fuel Container Type MT	Category	Price	Freight charges	Price including freight charges
<b>MT 450, hot-dip galvanized</b>	C	2147,-	381,-	2528,-
Level Indicator	C	212,-	9,-	221,-
Hand Pump K 10 C, connects to drum thread, suitable for fuels and heating fuel	C	91,-	14,-	105,-
Digital Flow Counter FMT 3 with screwed joints	C	309,-	9,-	318,-
Electric Pump TecPump 400 DC 12V	C	492,-	12,-	504,-
Electric Pump TecPump 400 DC 24V	C	492,-	12,-	504,-
Electric Pump TecPump 600 AC 230V	C	492,-	12,-	504,-
Counter Z 400, Retrofit Kit for Electric Pumps TecPump 400 DC 12V, 400 DC 24V and 600 AC 230V	C	153,-	9,-	162,-
<b>MT 600, hot-dip galvanized</b>	C	2554,-	381,-	2935,-
Level Indicator	C	212,-	9,-	221,-
Hand Pump K 10 C, connects to drum thread, suitable for fuels and heating fuel	C	91,-	14,-	105,-
Digital Flow Counter FMT 3 with screwed joints	C	309,-	9,-	318,-
Electric Pump TecPump 400 DC 12V	C	492,-	12,-	504,-
Electric Pump TecPump 400 DC 24V	C	492,-	12,-	504,-
Electric Pump TecPump 600 AC 230V	C	492,-	12,-	504,-
Counter Z 400, Retrofit Kit for Electric Pumps TecPump 400 DC 12V, 400 DC 24V and 600 AC 230V	C	153,-	9,-	162,-
<b>MT 1000, hot-dip galvanized</b>	C	2761,-	480,-	3241,-
Level Indicator	C	212,-	9,-	221,-
Hand Pump K 10 C, connects to drum thread, suitable for fuels and heating fuel	C	91,-	14,-	105,-
Digital Flow Counter FMT 3 with screwed joints	C	309,-	9,-	318,-
Electric Pump TecPump 400 DC 12V	C	492,-	12,-	504,-
Electric Pump TecPump 400 DC 24V	C	492,-	12,-	504,-
Electric Pump TecPump 600 AC 230V	C	492,-	12,-	504,-
Counter Z 400, Retrofit Kit for Electric Pumps TecPump 400 DC 12V, 400 DC 24V and 600 AC 230V	C	153,-	9,-	162,-

MobiCont Type MW	Category	Price	Freight charges	Price including freight charges
<b>MW 800, painted</b>	C	1722,-	381,-	2103,-
Level Indicator	C	212,-	9,-	221,-
Filling coupling	C	51,-	8,-	59,-
Tank heating, 220 W	C	371,-	12,-	383,-
Tank fitting	B	64,-	9,-	73,-
Anti-siphon valve	D	68,-	8,-	76,-
Aeration/Vent valve	C	26,-	8,-	34,-
<b>MW 800, hot-dip galvanized</b>	C	1813,-	381,-	2194,-
Level Indicator	C	212,-	9,-	221,-
Filling coupling	C	51,-	8,-	59,-
Tank heating, 220 W	C	371,-	12,-	383,-
Tank fitting	B	64,-	9,-	73,-
Anti-siphon valve	D	68,-	8,-	76,-
Aeration/Vent valve	C	26,-	8,-	34,-

Special Waste Container Type SAF	Category	Price	Freight charges	Price including freight charges
<b>SAF 450, hot-dip galvanized</b>	C	on request	on request	on request
<b>SAF 600, hot-dip galvanized</b>	C	on request	on request	on request
<b>SAF 1000, hot-dip galvanized</b>	C	on request	on request	on request

Prices in EUR, valid EXW DE-46354 Südlohn, DE-38820 Halberstadt, unpacked  
Freight charges valid CPT Norway, islands and oversea territories excluded



# Price List 0424 en-NO

## Hazardous Materials Containers



Large Salvage Packaging Type SAG	Category	Price	Freight charges	Price including freight charges
SAG 800, hot-dip galvanized	C	1102,-	381,-	1483,-
SAG 1500, hot-dip galvanized	C	2078,-	on request	on request
Polyethylene sacks, 25 pieces on roll	C	180,-	39,-	219,-
SAG 2100, hot-dip galvanized	C	2180,-	on request	on request
Polyethylene sacks, 25 pieces on roll	C	180,-	39,-	219,-
SAG 2700, hot-dip galvanized	C	2252,-	on request	on request
Polyethylene sacks, 25 pieces on roll	C	180,-	39,-	219,-

Special Waste Container Type SAP	Category	Price	Freight charges	Price including freight charges
SAP 450, hot-dip galvanized	C	on request	on request	on request
Polyethylene sacks, 50 pieces on roll - 0,085 mm	C	134,-	59,-	193,-
SAP 600, hot-dip galvanized	C	on request	on request	on request
Polyethylene sacks, 50 pieces on roll - 0,085 mm	C	134,-	59,-	193,-
SAP 800, hot-dip galvanized	C	on request	on request	on request
Polyethylene sacks, 50 pieces on roll - 0,085 mm	C	134,-	59,-	193,-

Special Waste Container Type SAP-1	Category	Price	Freight charges	Price including freight charges
SAP 450-1, hot-dip galvanized	C	on request	on request	on request
Polyethylene sacks, 50 pieces on roll - 0,085 mm	C	134,-	59,-	193,-
SAP 600-1, hot-dip galvanized	C	on request	on request	on request
Polyethylene sacks, 50 pieces on roll - 0,085 mm	C	134,-	59,-	193,-
SAP 800-1, hot-dip galvanized	C	on request	on request	on request
Polyethylene sacks, 50 pieces on roll - 0,085 mm	C	134,-	59,-	193,-
SAP 800-3, hot-dip galvanized	C	on request	on request	on request
Polyethylene sacks, 50 pieces on roll - 0,085 mm	C	134,-	59,-	193,-

Used Battery Container Type SAP 600 K	Category	Price	Freight charges	Price including freight charges
SAP 600 K, hot-dip galvanized	C	on request	on request	on request

Used Battery Container Type SAP 601 K	Category	Price	Freight charges	Price including freight charges
SAP 601 K, hot-dip galvanized	C	on request	on request	on request

Special Waste Container Type SAS	Category	Price	Freight charges	Price including freight charges
SAS 800, hot-dip galvanized	C	on request	on request	on request

Hazardous Materials Container Type SF	Category	Price	Freight charges	Price including freight charges
SF 240, hot-dip galvanized	C	on request	on request	on request

Fluorescent Tube Box Type SL	Category	Price	Freight charges	Price including freight charges
SL 150, painted	C	664,-	254,-	918,-
SL 150, hot-dip galvanized	C	794,-	254,-	1048,-
SL 200, painted	C	740,-	254,-	994,-
SL 200, hot-dip galvanized	C	871,-	381,-	1252,-

Prices in EUR, valid EXW DE-46354 Südlohn, DE-38820 Halberstadt, unpacked  
 Freight charges valid CPT Norway, islands and oversea territories excluded

# Price List 0424 en-NO

## Hazardous Materials Containers



Fluorescent Tube Box Type SL-D	Category	Price	Freight charges	Price including freight charges
SL-D 150, painted	C	731,-	254,-	985,-
Removable Tray, galvanized	C	84,-	10,-	94,-
SL-D 150, hot-dip galvanized	C	850,-	254,-	1104,-
Removable Tray, galvanized	C	84,-	10,-	94,-
SL-D 200, painted	C	808,-	254,-	1062,-
Removable Tray, galvanized	C	84,-	10,-	94,-
SL-D 200, hot-dip galvanized	C	940,-	254,-	1194,-
Removable Tray, galvanized	C	84,-	10,-	94,-
Fluorescent Tube Box Type SL-N	Category	Price	Freight charges	Price including freight charges
SL-N 220, painted	C	831,-	254,-	1085,-
SL-N 220, hot-dip galvanized	C	969,-	254,-	1223,-
Special Waste Container Type SP	Category	Price	Freight charges	Price including freight charges
SP 100, hot-dip galvanized	C	on request	on request	on request
SP 240, hot-dip galvanized	C	on request	on request	on request
Transport Box for Aerosol Cans Type STB	Category	Price	Freight charges	Price including freight charges
STB 1000, hot-dip galvanized	C	on request	on request	on request
Polyethylene sacks, 50 pieces on roll	C	185,-	59,-	244,-
Absorbent felt, 100 pieces	C	353,-	70,-	423,-

Prices in EUR, valid EXW DE-46354 Südlohn, DE-38820 Halberstadt, unpacked  
Freight charges valid CPT Norway, islands and oversea territories excluded