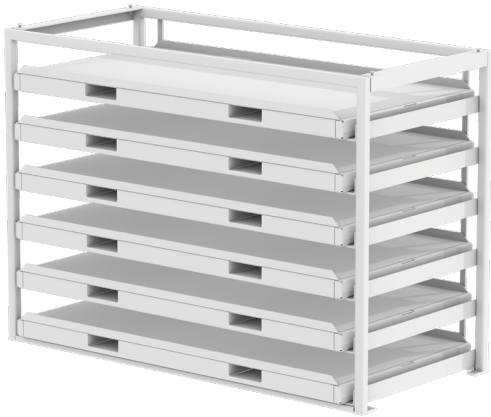
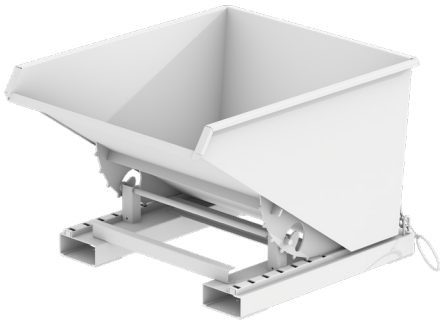


...made by



## PRICE LIST 0424 EN-PL

**FORKLIFT TRUCK ATTACHMENTS**

**WORKSPACE MATERIAL HANDLING**

**ENVIRONMENT / STORAGE**

**HAZARDOUS MATERIALS CONTAINERS**

**INNOVATION – CONSTRUCTION – PRODUCTION**

*... for more than 55 years*

## Price List 0424 en-PL Forklift Truck Attachments

Drum Gripper Type 3P	Category	Price	Freight charges	Price including freight charges
3P, painted	B	910,-	89,-	999,-
3P, hot-dip galvanized	B	956,-	89,-	1045,-

Tilting Container Type 3S	Category	Price	Freight charges	Price including freight charges
3S 300, painted	A	1201,-	124,-	1325,-
Lid, galvanized	A	168,-	18,-	186,-
Castor Set, polyamide, Load capacity 1050 kg / castor set	A	131,-	15,-	146,-
3S 300, hot-dip galvanized	A	1296,-	175,-	1471,-
Lid, galvanized	A	168,-	18,-	186,-
Castor Set, polyamide, Load capacity 1050 kg / castor set	A	131,-	15,-	146,-
3S 600, painted	A	1256,-	175,-	1431,-
Lid, galvanized	A	189,-	22,-	211,-
Castor Set, polyamide, Load capacity 1050 kg / castor set	A	131,-	15,-	146,-
3S 600, hot-dip galvanized	A	1354,-	175,-	1529,-
Lid, galvanized	A	189,-	22,-	211,-
Castor Set, polyamide, Load capacity 1050 kg / castor set	A	131,-	15,-	146,-

Automatic Tilting Container Type 4A	Category	Price	Freight charges	Price including freight charges
4A 600, painted	A	1065,-	124,-	1189,-
Lid, galvanized	A	189,-	22,-	211,-
Skip Body Welded Oil and Watertight	A	75,-	0,-	75,-
4A 600, hot-dip galvanized	A	1207,-	124,-	1331,-
Lid, galvanized	A	189,-	22,-	211,-
Skip Body Welded Oil and Watertight	A	75,-	0,-	75,-
4A 900, painted	A	1197,-	175,-	1372,-
Lid, galvanized	A	215,-	27,-	242,-
Skip Body Welded Oil and Watertight	A	75,-	0,-	75,-
4A 900, hot-dip galvanized	A	1375,-	175,-	1550,-
Lid, galvanized	A	215,-	27,-	242,-
Skip Body Welded Oil and Watertight	A	75,-	0,-	75,-
4A 1200, painted	A	1282,-	175,-	1457,-
Lid, galvanized	A	215,-	26,-	241,-
Skip Body Welded Oil and Watertight	A	116,-	0,-	116,-
4A 1200, hot-dip galvanized	A	1505,-	175,-	1680,-
Lid, galvanized	A	215,-	26,-	241,-
Skip Body Welded Oil and Watertight	A	116,-	0,-	116,-

Drum Gripper Type 4P	Category	Price	Freight charges	Price including freight charges
4P, painted	B	558,-	50,-	608,-
4P, hot-dip galvanized	B	532,-	50,-	582,-

Prices in EUR, valid EXW DE-46354 Südlohn, DE-38820 Halberstadt, unpacked  
Freight charges valid CPT Poland, islands and oversea territories excluded

# Price List 0424 en-PL

## Forklift Truck Attachments



Drum Gripper Type 4P-D	Category	Price	Freight charges	Price including freight charges
4P-D120, painted	B	558,-	50,-	608,-
4P-D120, hot-dip galvanized	B	532,-	50,-	582,-
4P-D220, painted	B	558,-	50,-	608,-
4P-D220, hot-dip galvanized	B	532,-	50,-	582,-

Tilting Container Type AK	Category	Price	Freight charges	Price including freight charges
<b>AK 50, painted</b>	A	774,-	124,-	898,-
Lid, galvanized	A	135,-	16,-	151,-
Castor Set, polyamide, Load capacity 1050 kg / castor set	A	131,-	15,-	146,-
Skip Body Welded Oil and Watertight	A	75,-	0,-	75,-
<b>AK 50, hot-dip galvanized</b>	A	923,-	124,-	1047,-
Lid, galvanized	A	135,-	16,-	151,-
Castor Set, polyamide, Load capacity 1050 kg / castor set	A	131,-	15,-	146,-
Skip Body Welded Oil and Watertight	A	75,-	0,-	75,-
<b>AK 75, painted</b>	A	866,-	124,-	990,-
Lid, galvanized	A	185,-	21,-	206,-
Castor Set, polyamide, Load capacity 1050 kg / castor set	A	131,-	15,-	146,-
Skip Body Welded Oil and Watertight	A	75,-	0,-	75,-
<b>AK 75, hot-dip galvanized</b>	A	1012,-	175,-	1187,-
Lid, galvanized	A	185,-	21,-	206,-
Castor Set, polyamide, Load capacity 1050 kg / castor set	A	131,-	15,-	146,-
Skip Body Welded Oil and Watertight	A	75,-	0,-	75,-
<b>AK 100, painted</b>	A	937,-	175,-	1112,-
Lid, galvanized	A	210,-	26,-	236,-
Castor Set, polyamide, Load capacity 1050 kg / castor set	A	131,-	15,-	146,-
Skip Body Welded Oil and Watertight	A	116,-	0,-	116,-
<b>AK 100, hot-dip galvanized</b>	A	1094,-	175,-	1269,-
Lid, galvanized	A	210,-	26,-	236,-
Castor Set, polyamide, Load capacity 1050 kg / castor set	A	131,-	15,-	146,-
Skip Body Welded Oil and Watertight	A	116,-	0,-	116,-
<b>AK 150, painted</b>	A	1196,-	175,-	1371,-
Lid, galvanized	A	294,-	28,-	322,-
Castor Set, polyamide, Load capacity 1050 kg / castor set	A	131,-	15,-	146,-
Skip Body Welded Oil and Watertight	A	116,-	0,-	116,-
<b>AK 150, hot-dip galvanized</b>	A	1399,-	175,-	1574,-
Lid, galvanized	A	294,-	28,-	322,-
Castor Set, polyamide, Load capacity 1050 kg / castor set	A	131,-	15,-	146,-
Skip Body Welded Oil and Watertight	A	116,-	0,-	116,-

Container for Building Materials Type BBG	Category	Price	Freight charges	Price including freight charges
<b>BBG 100, painted</b>	A	391,-	124,-	515,-
Lid, galvanized	A	182,-	89,-	271,-
<b>BBG 100, hot-dip galvanized</b>	A	479,-	124,-	603,-
Lid, galvanized	A	182,-	89,-	271,-

Prices in EUR, valid EXW DE-46354 Südlohn, DE-38820 Halberstadt, unpacked  
 Freight charges valid CPT Poland, islands and oversea territories excluded

# Price List 0424 en-PL

## Forklift Truck Attachments



Container for Building Materials Type BBK	Category	Price	Freight charges	Price including freight charges
<b>BBK 100, painted</b>	A	479,-	124,-	603,-
Lid, galvanized	A	182,-	89,-	271,-
<b>BBK 100, hot-dip galvanized</b>	A	551,-	124,-	675,-
Lid, galvanized	A	182,-	89,-	271,-
Material Container Type BBM	Category	Price	Freight charges	Price including freight charges
<b>BBM 500, painted</b>	A	314,-	89,-	403,-
<b>BBM 500, hot-dip galvanized</b>	A	346,-	89,-	435,-
Container for Building Materials Type BBP	Category	Price	Freight charges	Price including freight charges
<b>BBP 100, painted</b>	A	418,-	89,-	507,-
Lid, galvanized	A	182,-	89,-	271,-
Pick-up cones (pins) and angle iron traverse lock	A	49,-	10,-	59,-
<b>BBP 100, hot-dip galvanized</b>	A	493,-	89,-	582,-
Lid, galvanized	A	182,-	89,-	271,-
Pick-up cones (pins) and angle iron traverse lock	A	49,-	10,-	59,-
Tilting Traverse for Containers for Building Material Containers Type BBT	Category	Price	Freight charges	Price including freight charges
<b>BBT, painted</b>	A	551,-	124,-	675,-
<b>BBT, hot-dip galvanized</b>	A	627,-	124,-	751,-
Building Materials Container Type BC	Category	Price	Freight charges	Price including freight charges
<b>BC 500, painted</b>	B	924,-	124,-	1048,-
Lid, galvanized	B	138,-	16,-	154,-
Castor Set, polyamide, Load capacity 1350 kg / castor set	A	185,-	15,-	200,-
<b>BC 500, hot-dip galvanized</b>	B	1139,-	175,-	1314,-
Lid, galvanized	B	138,-	16,-	154,-
Castor Set, polyamide, Load capacity 1350 kg / castor set	A	185,-	15,-	200,-
<b>BC 500 (brick clamp operated), painted</b>	B	991,-	124,-	1115,-
Lid, galvanized	B	138,-	16,-	154,-
Castor Set, polyamide, Load capacity 1350 kg / castor set	A	185,-	15,-	200,-
<b>BC 500 (brick clamp operated), hot-dip galvanized</b>	B	1207,-	175,-	1382,-
Lid, galvanized	B	138,-	16,-	154,-
Castor Set, polyamide, Load capacity 1350 kg / castor set	A	185,-	15,-	200,-
<b>BC 1000, painted</b>	B	1007,-	175,-	1182,-
Lid, galvanized	B	138,-	16,-	154,-
Castor Set, polyamide, Load capacity 1350 kg / castor set	A	185,-	15,-	200,-
<b>BC 1000, hot-dip galvanized</b>	B	1271,-	175,-	1446,-
Lid, galvanized	B	138,-	16,-	154,-
Castor Set, polyamide, Load capacity 1350 kg / castor set	A	185,-	15,-	200,-
<b>BC 1000 (brick clamp operated), painted</b>	B	1073,-	175,-	1248,-
Lid, galvanized	B	138,-	16,-	154,-
Castor Set, polyamide, Load capacity 1350 kg / castor set	A	185,-	15,-	200,-
<b>BC 1000 (brick clamp operated), hot-dip galvanized</b>	B	1339,-	175,-	1514,-
Lid, galvanized	B	138,-	16,-	154,-

Prices in EUR, valid EXW DE-46354 Südlohn, DE-38820 Halberstadt, unpacked  
Freight charges valid CPT Poland, islands and oversea territories excluded

# Price List 0424 en-PL

## Forklift Truck Attachments



Building Materials Container Type BC	Category	Price	Freight charges	Price including freight charges
Castor Set, polyamide, Load capacity 1350 kg / castor set	A	185,-	15,-	200,-
Tilting Container Type BK	Category	Price	Freight charges	Price including freight charges
<b>BK 30, painted</b>	A	676,-	124,-	800,-
Lid, galvanized	A	94,-	18,-	112,-
Castor Set, polyamide, Load capacity 1350 kg / castor set	A	185,-	15,-	200,-
Castor Set, polyamide, Load capacity 2550 kg / castor set	A	366,-	15,-	381,-
Skip Body Welded Oil and Watertight	A	75,-	0,-	75,-
<b>BK 30, hot-dip galvanized</b>	A	950,-	124,-	1074,-
Lid, galvanized	A	94,-	18,-	112,-
Castor Set, polyamide, Load capacity 1350 kg / castor set	A	185,-	15,-	200,-
Castor Set, polyamide, Load capacity 2550 kg / castor set	A	366,-	15,-	381,-
Skip Body Welded Oil and Watertight	A	75,-	0,-	75,-
<b>BK 50, painted</b>	A	950,-	124,-	1074,-
Lid, galvanized	A	94,-	20,-	114,-
Castor Set, polyamide, Load capacity 1350 kg / castor set	A	185,-	15,-	200,-
Castor Set, polyamide, Load capacity 2550 kg / castor set	A	366,-	15,-	381,-
Skip Body Welded Oil and Watertight	A	75,-	0,-	75,-
<b>BK 50, hot-dip galvanized</b>	A	1282,-	175,-	1457,-
Lid, galvanized	A	94,-	20,-	114,-
Castor Set, polyamide, Load capacity 1350 kg / castor set	A	185,-	15,-	200,-
Castor Set, polyamide, Load capacity 2550 kg / castor set	A	366,-	15,-	381,-
Skip Body Welded Oil and Watertight	A	75,-	0,-	75,-
<b>BK 80, painted</b>	A	1253,-	175,-	1428,-
Lid, galvanized	A	139,-	22,-	161,-
Castor Set, polyamide, Load capacity 1350 kg / castor set	A	185,-	15,-	200,-
Castor Set, polyamide, Load capacity 2550 kg / castor set	A	366,-	15,-	381,-
Skip Body Welded Oil and Watertight	A	75,-	0,-	75,-
<b>BK 80, hot-dip galvanized</b>	A	1752,-	175,-	1927,-
Lid, galvanized	A	139,-	22,-	161,-
Castor Set, polyamide, Load capacity 1350 kg / castor set	A	185,-	15,-	200,-
Castor Set, polyamide, Load capacity 2550 kg / castor set	A	366,-	15,-	381,-
Skip Body Welded Oil and Watertight	A	75,-	0,-	75,-
<b>BK 100, painted</b>	A	1457,-	175,-	1632,-
Lid, galvanized	A	167,-	27,-	194,-
Castor Set, polyamide, Load capacity 1350 kg / castor set	A	185,-	15,-	200,-
Castor Set, polyamide, Load capacity 2550 kg / castor set	A	366,-	15,-	381,-
Skip Body Welded Oil and Watertight	A	116,-	0,-	116,-
<b>BK 100, hot-dip galvanized</b>	A	2000,-	175,-	2175,-
Lid, galvanized	A	167,-	27,-	194,-
Castor Set, polyamide, Load capacity 1350 kg / castor set	A	185,-	15,-	200,-
Castor Set, polyamide, Load capacity 2550 kg / castor set	A	366,-	15,-	381,-
Skip Body Welded Oil and Watertight	A	116,-	0,-	116,-
<b>BK 120, painted</b>	A	1584,-	175,-	1759,-
Lid, galvanized	A	177,-	32,-	209,-
Castor Set, polyamide, Load capacity 1350 kg / castor set	A	185,-	15,-	200,-

Prices in EUR, valid EXW DE-46354 Südlohn, DE-38820 Halberstadt, unpacked  
Freight charges valid CPT Poland, islands and oversea territories excluded

# Price List 0424 en-PL

## Forklift Truck Attachments



Tilting Container Type BK	Category	Price	Freight charges	Price including freight charges
Castor Set, polyamide, Load capacity 2550 kg / castor set	A	366,-	15,-	381,-
Skip Body Welded Oil and Watertight	A	116,-	0,-	116,-
<b>BK 120, hot-dip galvanized</b>	A	2159,-	175,-	2334,-
Lid, galvanized	A	177,-	32,-	209,-
Castor Set, polyamide, Load capacity 1350 kg / castor set	A	185,-	15,-	200,-
Castor Set, polyamide, Load capacity 2550 kg / castor set	A	366,-	15,-	381,-
Skip Body Welded Oil and Watertight	A	116,-	0,-	116,-
<b>BK 150, painted</b>	A	1740,-	226,-	1966,-
Lid, galvanized	A	203,-	39,-	242,-
Castor Set, polyamide, Load capacity 1350 kg / castor set	A	185,-	15,-	200,-
Castor Set, polyamide, Load capacity 2550 kg / castor set	A	366,-	15,-	381,-
Skip Body Welded Oil and Watertight	A	116,-	0,-	116,-
<b>BK 150, hot-dip galvanized</b>	A	2361,-	226,-	2587,-
Lid, galvanized	A	203,-	39,-	242,-
Castor Set, polyamide, Load capacity 1350 kg / castor set	A	185,-	15,-	200,-
Castor Set, polyamide, Load capacity 2550 kg / castor set	A	366,-	15,-	381,-
Skip Body Welded Oil and Watertight	A	116,-	0,-	116,-
<b>BK 200, painted</b>	A	2164,-	226,-	2390,-
Lid, galvanized	A	215,-	89,-	304,-
Castor Set, polyamide, Load capacity 1350 kg / castor set	A	185,-	15,-	200,-
Castor Set, polyamide, Load capacity 2550 kg / castor set	A	366,-	15,-	381,-
Skip Body Welded Oil and Watertight	A	116,-	0,-	116,-
<b>BK 200, hot-dip galvanized</b>	A	2948,-	298,-	3246,-
Lid, galvanized	A	215,-	89,-	304,-
Castor Set, polyamide, Load capacity 1350 kg / castor set	A	185,-	15,-	200,-
Castor Set, polyamide, Load capacity 2550 kg / castor set	A	366,-	15,-	381,-
Skip Body Welded Oil and Watertight	A	116,-	0,-	116,-
Container With Drop Away Base Type BKB	Category	Price	Freight charges	Price including freight charges
<b>BKB 500, painted</b>	A	737,-	124,-	861,-
Lid, galvanized	A	189,-	18,-	207,-
Castor Set, polyamide, Load capacity 1350 kg / castor set	A	185,-	15,-	200,-
<b>BKB 500, hot-dip galvanized</b>	A	876,-	124,-	1000,-
Lid, galvanized	A	189,-	18,-	207,-
Castor Set, polyamide, Load capacity 1350 kg / castor set	A	185,-	15,-	200,-
<b>BKB 700, painted</b>	A	788,-	124,-	912,-
Lid, galvanized	A	189,-	18,-	207,-
Castor Set, polyamide, Load capacity 1350 kg / castor set	A	185,-	15,-	200,-
<b>BKB 700, hot-dip galvanized</b>	A	927,-	124,-	1051,-
Lid, galvanized	A	189,-	18,-	207,-
Castor Set, polyamide, Load capacity 1350 kg / castor set	A	185,-	15,-	200,-
<b>BKB 1000, painted</b>	A	835,-	124,-	959,-
Lid, galvanized	A	189,-	18,-	207,-
Castor Set, polyamide, Load capacity 1350 kg / castor set	A	185,-	15,-	200,-
<b>BKB 1000, hot-dip galvanized</b>	A	994,-	124,-	1118,-
Lid, galvanized	A	189,-	18,-	207,-

Prices in EUR, valid EXW DE-46354 Südlohn, DE-38820 Halberstadt, unpacked  
Freight charges valid CPT Poland, islands and oversea territories excluded

# Price List 0424 en-PL

## Forklift Truck Attachments



Container With Drop Away Base Type BKB	Category	Price	Freight charges	Price including freight charges
Castor Set, polyamide, Load capacity 1350 kg / castor set	A	185,-	15,-	200,-

Tilting Container Type BKC	Category	Price	Freight charges	Price including freight charges
<b>BKC 200, painted</b>	A	2229,-	298,-	2527,-
Lid, galvanized	A	434,-	89,-	523,-
Skip Body Welded Oil and Watertight	A	116,-	0,-	116,-
<b>BKC 200, hot-dip galvanized</b>	A	2984,-	298,-	3282,-
Lid, galvanized	A	434,-	89,-	523,-
Skip Body Welded Oil and Watertight	A	116,-	0,-	116,-
<b>BKC 300, painted</b>	A	2471,-	298,-	2769,-
Lid, galvanized	A	434,-	89,-	523,-
Skip Body Welded Oil and Watertight	A	116,-	0,-	116,-
<b>BKC 300, hot-dip galvanized</b>	A	3253,-	298,-	3551,-
Lid, galvanized	A	434,-	89,-	523,-
Skip Body Welded Oil and Watertight	A	116,-	0,-	116,-
<b>BKC 400, painted</b>	A	3043,-	298,-	3341,-
Lid, galvanized	A	434,-	124,-	558,-
Skip Body Welded Oil and Watertight	A	116,-	0,-	116,-
<b>BKC 400, hot-dip galvanized</b>	A	3929,-	393,-	4322,-
Lid, galvanized	A	434,-	124,-	558,-
Skip Body Welded Oil and Watertight	A	116,-	0,-	116,-
<b>BKC 500, painted</b>	A	3535,-	393,-	3928,-
Lid, galvanized	A	434,-	124,-	558,-
Skip Body Welded Oil and Watertight	A	116,-	0,-	116,-
<b>BKC 500, hot-dip galvanized</b>	A	4484,-	393,-	4877,-
Lid, galvanized	A	434,-	124,-	558,-
Skip Body Welded Oil and Watertight	A	116,-	0,-	116,-

Tilting Container Type BKC-H	Category	Price	Freight charges	Price including freight charges
<b>BKC-H 200, painted</b>	A	3306,-	298,-	3604,-
Skip Body Welded Oil and Watertight	A	116,-	0,-	116,-
Lid, galvanized	A	434,-	89,-	523,-
<b>BKC-H 200, hot-dip galvanized</b>	A	4061,-	298,-	4359,-
Lid, galvanized	A	434,-	89,-	523,-
Skip Body Welded Oil and Watertight	A	116,-	0,-	116,-
<b>BKC-H 300, painted</b>	A	3548,-	298,-	3846,-
Skip Body Welded Oil and Watertight	A	116,-	0,-	116,-
Lid, galvanized	A	434,-	89,-	523,-
<b>BKC-H 300, hot-dip galvanized</b>	A	4331,-	298,-	4629,-
Lid, galvanized	A	434,-	89,-	523,-
Skip Body Welded Oil and Watertight	A	116,-	0,-	116,-
<b>BKC-H 400, painted</b>	A	4120,-	298,-	4418,-
Lid, galvanized	A	434,-	124,-	558,-
Skip Body Welded Oil and Watertight	A	116,-	0,-	116,-
<b>BKC-H 400, hot-dip galvanized</b>	A	5006,-	393,-	5399,-

Prices in EUR, valid EXW DE-46354 Südlohn, DE-38820 Halberstadt, unpacked  
Freight charges valid CPT Poland, islands and oversea territories excluded

# Price List 0424 en-PL

## Forklift Truck Attachments



Tilting Container Type BKC-H	Category	Price	Freight charges	Price including freight charges
Lid, galvanized	A	434,-	124,-	558,-
Skip Body Welded Oil and Watertight	A	116,-	0,-	116,-
<b>BKC-H 500, painted</b>	A	4612,-	393,-	5005,-
Lid, galvanized	A	434,-	124,-	558,-
Skip Body Welded Oil and Watertight	A	116,-	0,-	116,-
<b>BKC-H 500, hot-dip galvanized</b>	A	5561,-	393,-	5954,-
Skip Body Welded Oil and Watertight	A	116,-	0,-	116,-
Lid, galvanized	A	434,-	124,-	558,-

Tilting Container Type BKM	Category	Price	Freight charges	Price including freight charges
<b>BKM 30, painted</b>	A	676,-	124,-	800,-
Lid, galvanized	A	100,-	18,-	118,-
Castor Set, polyamide, Load capacity 1350 kg / castor set	A	185,-	15,-	200,-
Castor Set, polyamide, Load capacity 2550 kg / castor set	A	366,-	15,-	381,-
Skip Body Welded Oil and Watertight	A	75,-	0,-	75,-
<b>BKM 30, hot-dip galvanized</b>	A	950,-	124,-	1074,-
Lid, galvanized	A	100,-	18,-	118,-
Castor Set, polyamide, Load capacity 1350 kg / castor set	A	185,-	15,-	200,-
Castor Set, polyamide, Load capacity 2550 kg / castor set	A	366,-	15,-	381,-
Skip Body Welded Oil and Watertight	A	75,-	0,-	75,-
<b>BKM 50, painted</b>	A	950,-	124,-	1074,-
Lid, galvanized	A	125,-	21,-	146,-
Castor Set, polyamide, Load capacity 1350 kg / castor set	A	185,-	15,-	200,-
Castor Set, polyamide, Load capacity 2550 kg / castor set	A	366,-	15,-	381,-
Skip Body Welded Oil and Watertight	A	75,-	0,-	75,-
<b>BKM 50, hot-dip galvanized</b>	A	1282,-	124,-	1406,-
Lid, galvanized	A	125,-	21,-	146,-
Castor Set, polyamide, Load capacity 1350 kg / castor set	A	185,-	15,-	200,-
Castor Set, polyamide, Load capacity 2550 kg / castor set	A	366,-	15,-	381,-
Skip Body Welded Oil and Watertight	A	75,-	0,-	75,-
<b>BKM 75, painted</b>	A	1203,-	175,-	1378,-
Lid, galvanized	A	137,-	22,-	159,-
Castor Set, polyamide, Load capacity 1350 kg / castor set	A	185,-	15,-	200,-
Castor Set, polyamide, Load capacity 2550 kg / castor set	A	366,-	15,-	381,-
Skip Body Welded Oil and Watertight	A	75,-	0,-	75,-
<b>BKM 75, hot-dip galvanized</b>	A	1615,-	175,-	1790,-
Lid, galvanized	A	137,-	22,-	159,-
Castor Set, polyamide, Load capacity 1350 kg / castor set	A	185,-	15,-	200,-
Castor Set, polyamide, Load capacity 2550 kg / castor set	A	366,-	15,-	381,-
Skip Body Welded Oil and Watertight	A	75,-	0,-	75,-
<b>BKM 100, painted</b>	A	1457,-	175,-	1632,-
Lid, galvanized	A	178,-	27,-	205,-
Castor Set, polyamide, Load capacity 1350 kg / castor set	A	185,-	15,-	200,-
Castor Set, polyamide, Load capacity 2550 kg / castor set	A	366,-	15,-	381,-
Skip Body Welded Oil and Watertight	A	116,-	0,-	116,-
<b>BKM 100, hot-dip galvanized</b>	A	2000,-	175,-	2175,-

Prices in EUR, valid EXW DE-46354 Südlohn, DE-38820 Halberstadt, unpacked  
Freight charges valid CPT Poland, islands and oversea territories excluded



# Price List 0424 en-PL

## Forklift Truck Attachments



Tilting Container Type BKM	Category	Price	Freight charges	Price including freight charges
Lid, galvanized	A	178,-	27,-	205,-
Castor Set, polyamide, Load capacity 1350 kg / castor set	A	185,-	15,-	200,-
Castor Set, polyamide, Load capacity 2550 kg / castor set	A	366,-	15,-	381,-
Skip Body Welded Oil and Watertight	A	116,-	0,-	116,-
<b>BKM 150, painted</b>	A	1740,-	226,-	1966,-
Lid, galvanized	A	261,-	36,-	297,-
Castor Set, polyamide, Load capacity 1350 kg / castor set	A	185,-	15,-	200,-
Castor Set, polyamide, Load capacity 2550 kg / castor set	A	366,-	15,-	381,-
Skip Body Welded Oil and Watertight	A	116,-	0,-	116,-
<b>BKM 150, hot-dip galvanized</b>	A	2361,-	226,-	2587,-
Lid, galvanized	A	261,-	36,-	297,-
Castor Set, polyamide, Load capacity 1350 kg / castor set	A	185,-	15,-	200,-
Castor Set, polyamide, Load capacity 2550 kg / castor set	A	366,-	15,-	381,-
Skip Body Welded Oil and Watertight	A	116,-	0,-	116,-
<b>BKM 200, painted</b>	A	2164,-	226,-	2390,-
Lid, galvanized	A	291,-	89,-	380,-
Castor Set, polyamide, Load capacity 1350 kg / castor set	A	185,-	15,-	200,-
Castor Set, polyamide, Load capacity 2550 kg / castor set	A	366,-	15,-	381,-
Skip Body Welded Oil and Watertight	A	116,-	0,-	116,-
<b>BKM 200, hot-dip galvanized</b>	A	2948,-	298,-	3246,-
Lid, galvanized	A	291,-	89,-	380,-
Castor Set, polyamide, Load capacity 1350 kg / castor set	A	185,-	15,-	200,-
Castor Set, polyamide, Load capacity 2550 kg / castor set	A	366,-	15,-	381,-
Skip Body Welded Oil and Watertight	A	116,-	0,-	116,-
Traverse For Stacking Tipplers Type BKT	Category	Price	Freight charges	Price including freight charges
<b>BKT 30, painted</b>	A	355,-	124,-	479,-
Traverse Stand Type TS, hot-dip galvanized	A	75,-	8,-	83,-
<b>BKT 55, painted</b>	A	376,-	124,-	500,-
Traverse Stand Type TS, hot-dip galvanized	A	75,-	9,-	84,-
<b>BKT 70, painted</b>	A	376,-	124,-	500,-
Traverse Stand Type TS, hot-dip galvanized	A	75,-	9,-	84,-
<b>BKT 90, painted</b>	A	378,-	124,-	502,-
Traverse Stand Type TS, hot-dip galvanized	A	75,-	9,-	84,-
<b>BKT 150, painted</b>	A	609,-	124,-	733,-
Traverse Stand Type TS, hot-dip galvanized	A	75,-	9,-	84,-
<b>BKT 200, painted</b>	A	672,-	124,-	796,-
Traverse Stand Type TS, hot-dip galvanized	A	75,-	9,-	84,-
Shovel Type BSE	Category	Price	Freight charges	Price including freight charges
<b>BSE 50, painted</b>	A	1435,-	175,-	1610,-
<b>BSE 75, painted</b>	A	1709,-	175,-	1884,-
<b>BSE 100, painted</b>	A	2143,-	226,-	2369,-
<b>BSE 150, painted</b>	A	2422,-	226,-	2648,-
<b>BSE 200, painted</b>	A	2691,-	298,-	2989,-

Prices in EUR, valid EXW DE-46354 Südlohn, DE-38820 Halberstadt, unpacked  
Freight charges valid CPT Poland, islands and oversea territories excluded

# Price List 0424 en-PL

## Forklift Truck Attachments



Shovel Type BSE	Category	Price	Freight charges	Price including freight charges
BSE 250, painted	A	3316,-	348,-	3664,-

Shovel Type BSI	Category	Price	Freight charges	Price including freight charges
BSI 50, painted	A	1214,-	124,-	1338,-
BSI 75, painted	A	1375,-	175,-	1550,-
BSI 100, painted	A	1725,-	175,-	1900,-

Stacking Tipper Type BSK	Category	Price	Freight charges	Price including freight charges
<b>BSK 30, painted</b>	A	256,-	89,-	345,-
Lid, galvanized	A	66,-	12,-	78,-
Castor Set, polyamide, Load capacity 1350 kg / castor set	A	185,-	15,-	200,-
Skip Body Welded Oil and Watertight	A	75,-	0,-	75,-
Set of 5 self-adhesive stickers with symbols for: glass, paper, plastic, metal, residual waste	A	28,-	on request	on request
<b>BSK 30, hot-dip galvanized</b>	A	309,-	89,-	398,-
Lid, galvanized	A	66,-	12,-	78,-
Castor Set, polyamide, Load capacity 1350 kg / castor set	A	185,-	15,-	200,-
Skip Body Welded Oil and Watertight	A	75,-	0,-	75,-
Set of 5 self-adhesive stickers with symbols for: glass, paper, plastic, metal, residual waste	A	28,-	on request	on request
<b>BSK 55, painted</b>	A	320,-	89,-	409,-
Lid, galvanized	A	94,-	15,-	109,-
Castor Set, polyamide, Load capacity 1350 kg / castor set	A	185,-	15,-	200,-
Skip Body Welded Oil and Watertight	A	75,-	0,-	75,-
Set of 5 self-adhesive stickers with symbols for: glass, paper, plastic, metal, residual waste	A	28,-	on request	on request
<b>BSK 55, hot-dip galvanized</b>	A	391,-	89,-	480,-
Lid, galvanized	A	94,-	15,-	109,-
Castor Set, polyamide, Load capacity 1350 kg / castor set	A	185,-	15,-	200,-
Skip Body Welded Oil and Watertight	A	75,-	0,-	75,-
Set of 5 self-adhesive stickers with symbols for: glass, paper, plastic, metal, residual waste	A	28,-	on request	on request
<b>BSK 70, painted</b>	A	340,-	89,-	429,-
Lid, galvanized	A	117,-	15,-	132,-
Castor Set, polyamide, Load capacity 1350 kg / castor set	A	185,-	15,-	200,-
Skip Body Welded Oil and Watertight	A	75,-	0,-	75,-
Set of 5 self-adhesive stickers with symbols for: glass, paper, plastic, metal, residual waste	A	28,-	on request	on request
<b>BSK 70, hot-dip galvanized</b>	A	441,-	89,-	530,-
Lid, galvanized	A	117,-	15,-	132,-
Castor Set, polyamide, Load capacity 1350 kg / castor set	A	185,-	15,-	200,-
Skip Body Welded Oil and Watertight	A	75,-	0,-	75,-
Set of 5 self-adhesive stickers with symbols for: glass, paper, plastic, metal, residual waste	A	28,-	on request	on request
<b>BSK 90, painted</b>	A	366,-	89,-	455,-
Lid, galvanized	A	160,-	18,-	178,-
Castor Set, polyamide, Load capacity 1350 kg / castor set	A	185,-	15,-	200,-
Skip Body Welded Oil and Watertight	A	75,-	0,-	75,-
Set of 5 self-adhesive stickers with symbols for: glass, paper, plastic, metal, residual waste	A	28,-	on request	on request
<b>BSK 90, hot-dip galvanized</b>	A	470,-	124,-	594,-
Lid, galvanized	A	160,-	18,-	178,-

Prices in EUR, valid EXW DE-46354 Südlohn, DE-38820 Halberstadt, unpacked  
Freight charges valid CPT Poland, islands and oversea territories excluded

# Price List 0424 en-PL

## Forklift Truck Attachments



Stacking Tipper Type BSK	Category	Price	Freight charges	Price including freight charges
Castor Set, polyamide, Load capacity 1350 kg / castor set	A	185,-	15,-	200,-
Skip Body Welded Oil and Watertight	A	75,-	0,-	75,-
Set of 5 self-adhesive stickers with symbols for: glass, paper, plastic, metal, residual waste	A	28,-	on request	on request
<b>BSK 150, painted</b>	A	841,-	124,-	965,-
Lid, galvanized	A	215,-	21,-	236,-
Castor Set, polyamide, Load capacity 1350 kg / castor set	A	185,-	15,-	200,-
Skip Body Welded Oil and Watertight	A	116,-	0,-	116,-
Set of 5 self-adhesive stickers with symbols for: glass, paper, plastic, metal, residual waste	A	28,-	on request	on request
<b>BSK 150, hot-dip galvanized</b>	A	984,-	124,-	1108,-
Lid, galvanized	A	215,-	21,-	236,-
Castor Set, polyamide, Load capacity 1350 kg / castor set	A	185,-	15,-	200,-
Skip Body Welded Oil and Watertight	A	116,-	0,-	116,-
Set of 5 self-adhesive stickers with symbols for: glass, paper, plastic, metal, residual waste	A	28,-	on request	on request
<b>BSK 200, painted</b>	A	902,-	124,-	1026,-
Lid, galvanized	A	274,-	26,-	300,-
Castor Set, polyamide, Load capacity 1350 kg / castor set	A	185,-	15,-	200,-
Skip Body Welded Oil and Watertight	A	116,-	0,-	116,-
Set of 5 self-adhesive stickers with symbols for: glass, paper, plastic, metal, residual waste	A	28,-	on request	on request
<b>BSK 200, hot-dip galvanized</b>	A	1129,-	124,-	1253,-
Lid, galvanized	A	274,-	26,-	300,-
Castor Set, polyamide, Load capacity 1350 kg / castor set	A	185,-	15,-	200,-
Skip Body Welded Oil and Watertight	A	116,-	0,-	116,-
Set of 5 self-adhesive stickers with symbols for: glass, paper, plastic, metal, residual waste	A	28,-	on request	on request
Lattice Tilting Container Type BSK-G	Category	Price	Freight charges	Price including freight charges
<b>BSK-G 90, painted</b>	A	332,-	89,-	421,-
Lid, galvanized	A	160,-	18,-	178,-
Castor Set, polyamide, Load capacity 1350 kg / castor set	A	185,-	15,-	200,-
<b>BSK-G 90, hot-dip galvanized</b>	A	404,-	89,-	493,-
Lid, galvanized	A	160,-	18,-	178,-
Castor Set, polyamide, Load capacity 1350 kg / castor set	A	185,-	15,-	200,-
Swarf Stacking Tipper Type BSL	Category	Price	Freight charges	Price including freight charges
<b>BSL 30, painted</b>	A	570,-	89,-	659,-
Lid, galvanized	A	66,-	12,-	78,-
Castor Set, polyamide, Load capacity 1350 kg / castor set	A	185,-	15,-	200,-
<b>BSL 30, hot-dip galvanized</b>	A	656,-	89,-	745,-
Lid, galvanized	A	66,-	12,-	78,-
Castor Set, polyamide, Load capacity 1350 kg / castor set	A	185,-	15,-	200,-
<b>BSL 55, painted</b>	A	701,-	124,-	825,-
Lid, galvanized	A	94,-	15,-	109,-
Castor Set, polyamide, Load capacity 1350 kg / castor set	A	185,-	15,-	200,-
<b>BSL 55, hot-dip galvanized</b>	A	823,-	124,-	947,-
Lid, galvanized	A	94,-	15,-	109,-
Castor Set, polyamide, Load capacity 1350 kg / castor set	A	185,-	15,-	200,-

Prices in EUR, valid EXW DE-46354 Südlohn, DE-38820 Halberstadt, unpacked  
Freight charges valid CPT Poland, islands and oversea territories excluded

# Price List 0424 en-PL

## Forklift Truck Attachments



Swarf Stacking Tipper Type BSL	Category	Price	Freight charges	Price including freight charges
<b>BSL 70, painted</b>	A	737,-	124,-	861,-
Lid, galvanized	A	117,-	15,-	132,-
Castor Set, polyamide, Load capacity 1350 kg / castor set	A	185,-	15,-	200,-
<b>BSL 70, hot-dip galvanized</b>	A	881,-	124,-	1005,-
Lid, galvanized	A	117,-	15,-	132,-
Castor Set, polyamide, Load capacity 1350 kg / castor set	A	185,-	15,-	200,-
<b>BSL 90, painted</b>	A	801,-	124,-	925,-
Lid, galvanized	A	160,-	18,-	178,-
Castor Set, polyamide, Load capacity 1350 kg / castor set	A	185,-	15,-	200,-
<b>BSL 90, hot-dip galvanized</b>	A	970,-	124,-	1094,-
Lid, galvanized	A	160,-	18,-	178,-
Castor Set, polyamide, Load capacity 1350 kg / castor set	A	185,-	15,-	200,-
<b>BSL 150, painted</b>	A	1185,-	124,-	1309,-
Lid, galvanized	A	215,-	21,-	236,-
Castor Set, polyamide, Load capacity 1350 kg / castor set	A	185,-	15,-	200,-
<b>BSL 150, hot-dip galvanized</b>	A	1439,-	175,-	1614,-
Lid, galvanized	A	215,-	21,-	236,-
Castor Set, polyamide, Load capacity 1350 kg / castor set	A	185,-	15,-	200,-
<b>BSL 200, painted</b>	A	1282,-	175,-	1457,-
Lid, galvanized	A	274,-	26,-	300,-
Castor Set, polyamide, Load capacity 1350 kg / castor set	A	185,-	15,-	200,-
<b>BSL 200, hot-dip galvanized</b>	A	1731,-	175,-	1906,-
Lid, galvanized	A	274,-	26,-	300,-
Castor Set, polyamide, Load capacity 1350 kg / castor set	A	185,-	15,-	200,-
<b>Shovel Type BSM</b>	<b>Category</b>	<b>Price</b>	<b>Freight charges</b>	<b>Price including freight charges</b>
<b>BSM 50, painted</b>	A	1435,-	124,-	1559,-
<b>BSM 75, painted</b>	A	1709,-	175,-	1884,-
<b>BSM 100, painted</b>	A	2143,-	226,-	2369,-
<b>BSM 150, painted</b>	A	2422,-	226,-	2648,-
<b>BSM 200, painted</b>	A	2691,-	298,-	2989,-
<b>BSM 250, painted</b>	A	3316,-	348,-	3664,-
<b>Swarf Stacking Tipper Type BSS</b>	<b>Category</b>	<b>Price</b>	<b>Freight charges</b>	<b>Price including freight charges</b>
<b>BSS 30, painted</b>	A	407,-	89,-	496,-
Lid, galvanized	A	66,-	12,-	78,-
Castor Set, polyamide, Load capacity 1350 kg / castor set	A	185,-	15,-	200,-
<b>BSS 30, hot-dip galvanized</b>	A	473,-	89,-	562,-
Lid, galvanized	A	66,-	12,-	78,-
Castor Set, polyamide, Load capacity 1350 kg / castor set	A	185,-	15,-	200,-
<b>BSS 55, painted</b>	A	505,-	89,-	594,-
Lid, galvanized	A	94,-	15,-	109,-
Castor Set, polyamide, Load capacity 1350 kg / castor set	A	185,-	15,-	200,-
<b>BSS 55, hot-dip galvanized</b>	A	626,-	89,-	715,-
Lid, galvanized	A	94,-	15,-	109,-

Prices in EUR, valid EXW DE-46354 Südlohn, DE-38820 Halberstadt, unpacked  
Freight charges valid CPT Poland, islands and oversea territories excluded

# Price List 0424 en-PL

## Forklift Truck Attachments



<b>Swarf Stacking Tipper Type BSS</b>	<b>Category</b>	<b>Price</b>	<b>Freight charges</b>	<b>Price including freight charges</b>
Castor Set, polyamide, Load capacity 1350 kg / castor set	A	185,-	15,-	200,-
<b>BSS 70, painted</b>	A	542,-	89,-	631,-
Lid, galvanized	A	117,-	15,-	132,-
Castor Set, polyamide, Load capacity 1350 kg / castor set	A	185,-	15,-	200,-
<b>BSS 70, hot-dip galvanized</b>	A	684,-	124,-	808,-
Lid, galvanized	A	117,-	15,-	132,-
Castor Set, polyamide, Load capacity 1350 kg / castor set	A	185,-	15,-	200,-
<b>BSS 90, painted</b>	A	576,-	124,-	700,-
Lid, galvanized	A	160,-	18,-	178,-
Castor Set, polyamide, Load capacity 1350 kg / castor set	A	185,-	15,-	200,-
<b>BSS 90, hot-dip galvanized</b>	A	739,-	124,-	863,-
Lid, galvanized	A	160,-	18,-	178,-
Castor Set, polyamide, Load capacity 1350 kg / castor set	A	185,-	15,-	200,-
<b>BSS 150, painted</b>	A	876,-	124,-	1000,-
Lid, galvanized	A	215,-	21,-	236,-
Castor Set, polyamide, Load capacity 1350 kg / castor set	A	185,-	15,-	200,-
<b>BSS 150, hot-dip galvanized</b>	A	1126,-	124,-	1250,-
Lid, galvanized	A	215,-	21,-	236,-
Castor Set, polyamide, Load capacity 1350 kg / castor set	A	185,-	15,-	200,-
<b>BSS 200, painted</b>	A	989,-	124,-	1113,-
Lid, galvanized	A	274,-	26,-	300,-
Castor Set, polyamide, Load capacity 1350 kg / castor set	A	185,-	15,-	200,-
<b>BSS 200, hot-dip galvanized</b>	A	1324,-	175,-	1499,-
Lid, galvanized	A	274,-	26,-	300,-
Castor Set, polyamide, Load capacity 1350 kg / castor set	A	185,-	15,-	200,-
<b>Traverse For Stacking Tipper Type BST</b>	<b>Category</b>	<b>Price</b>	<b>Freight charges</b>	<b>Price including freight charges</b>
<b>BST 30, painted</b>	A	320,-	89,-	409,-
Traverse Stand Type TS, hot-dip galvanized	A	75,-	8,-	83,-
<b>BST 55, painted</b>	A	342,-	89,-	431,-
Traverse Stand Type TS, hot-dip galvanized	A	75,-	9,-	84,-
<b>BST 70, painted</b>	A	342,-	89,-	431,-
Traverse Stand Type TS, hot-dip galvanized	A	75,-	9,-	84,-
<b>BST 90, painted</b>	A	355,-	89,-	444,-
Traverse Stand Type TS, hot-dip galvanized	A	75,-	9,-	84,-
<b>BST 150, painted</b>	A	532,-	124,-	656,-
Traverse Stand Type TS, hot-dip galvanized	A	75,-	9,-	84,-
<b>BST 200, painted</b>	A	591,-	124,-	715,-
Traverse Stand Type TS, hot-dip galvanized	A	75,-	9,-	84,-
<b>Traverse For Stacking Tipper Type BST-H</b>	<b>Category</b>	<b>Price</b>	<b>Freight charges</b>	<b>Price including freight charges</b>
<b>BST-H 30, painted</b>	A	2055,-	124,-	2179,-
Traverse Stand Type TS, hot-dip galvanized	A	75,-	8,-	83,-
<b>BST-H 55, painted</b>	A	2180,-	124,-	2304,-
Traverse Stand Type TS, hot-dip galvanized	A	75,-	8,-	83,-

Prices in EUR, valid EXW DE-46354 Südlohn, DE-38820 Halberstadt, unpacked  
Freight charges valid CPT Poland, islands and oversea territories excluded

# Price List 0424 en-PL

## Forklift Truck Attachments



Traverse For Stacking Tipper Type BST-H	Category	Price	Freight charges	Price including freight charges
BST-H 70, painted	A	2180,-	124,-	2304,-
Traverse Stand Type TS, hot-dip galvanized	A	75,-	8,-	83,-
BST-H 90, painted	A	2293,-	124,-	2417,-
Traverse Stand Type TS, hot-dip galvanized	A	75,-	8,-	83,-
BST-H 150, painted	A	2608,-	175,-	2783,-
Traverse Stand Type TS, hot-dip galvanized	A	75,-	9,-	84,-
BST-H 200, painted	A	2871,-	175,-	3046,-
Traverse Stand Type TS, hot-dip galvanized	A	75,-	9,-	84,-

Traverse For Stacking Tipper Type BST-U	Category	Price	Freight charges	Price including freight charges
BST-U 30, painted	A	923,-	124,-	1047,-
BST-U 55, painted	A	985,-	124,-	1109,-
BST-U 70, painted	A	985,-	124,-	1109,-
BST-U 90, painted	A	1011,-	124,-	1135,-

Filling Hopper Type BTM	Category	Price	Freight charges	Price including freight charges
BTM, painted	A	2377,-	226,-	2603,-

Filling Hopper Type BTS	Category	Price	Freight charges	Price including freight charges
BTS, painted	A	2035,-	226,-	2261,-

Bin Type C	Category	Price	Freight charges	Price including freight charges
C 30, painted	A	407,-	89,-	496,-
C 30, hot-dip galvanized	A	447,-	89,-	536,-
C 80, painted	A	586,-	89,-	675,-
C 80, hot-dip galvanized	A	630,-	89,-	719,-

Swarf Bin Type CS	Category	Price	Freight charges	Price including freight charges
CS 30, painted	A	469,-	89,-	558,-
CS 30, hot-dip galvanized	A	514,-	89,-	603,-
CS 80, painted	A	692,-	89,-	781,-
CS 80, hot-dip galvanized	A	740,-	124,-	864,-

Shovel Type DGS	Category	Price	Freight charges	Price including freight charges
DGS 500, painted	A	2565,-	175,-	2740,-
DGS 700, painted	A	2594,-	175,-	2769,-
DGS 950, painted	A	2630,-	226,-	2856,-
DGS 1200, painted	A	2825,-	226,-	3051,-

Tilting Container Type DUO	Category	Price	Freight charges	Price including freight charges
DUO, painted	A	1803,-	175,-	1978,-
Lid, galvanized	A	228,-	27,-	255,-
Castor Set, polyamide, Load capacity 1350 kg / castor set	A	185,-	15,-	200,-
Set of 5 self-adhesive stickers with symbols for: glass, paper, plastic, metal, residual waste	A	28,-	on request	on request

Prices in EUR, valid EXW DE-46354 Südlohn, DE-38820 Halberstadt, unpacked  
 Freight charges valid CPT Poland, islands and oversea territories excluded

# Price List 0424 en-PL

## Forklift Truck Attachments



Tilting Container Type EXPO®	Category	Price	Freight charges	Price including freight charges
<b>EXPO 150, painted</b>	A	587,-	89,-	676,-
Lid, galvanized	A	168,-	18,-	186,-
Castor Set, polyamide, Load capacity 1050 kg / castor set	A	150,-	15,-	165,-
Skip Body Welded Oil and Watertight	A	75,-	0,-	75,-
<b>EXPO 150, hot-dip galvanized</b>	A	692,-	89,-	781,-
Lid, galvanized	A	168,-	18,-	186,-
Castor Set, polyamide, Load capacity 1050 kg / castor set	A	150,-	15,-	165,-
Skip Body Welded Oil and Watertight	A	75,-	0,-	75,-
<b>EXPO 225, painted</b>	A	639,-	89,-	728,-
Lid, galvanized	A	168,-	18,-	186,-
Castor Set, polyamide, Load capacity 1050 kg / castor set	A	150,-	15,-	165,-
Skip Body Welded Oil and Watertight	A	75,-	0,-	75,-
<b>EXPO 225, hot-dip galvanized</b>	A	758,-	89,-	847,-
Lid, galvanized	A	168,-	18,-	186,-
Castor Set, polyamide, Load capacity 1050 kg / castor set	A	150,-	15,-	165,-
Skip Body Welded Oil and Watertight	A	75,-	0,-	75,-
<b>EXPO 275, painted</b>	A	667,-	89,-	756,-
Lid, galvanized	A	168,-	18,-	186,-
Castor Set, polyamide, Load capacity 1050 kg / castor set	A	150,-	15,-	165,-
Skip Body Welded Oil and Watertight	A	75,-	0,-	75,-
<b>EXPO 275, hot-dip galvanized</b>	A	798,-	89,-	887,-
Lid, galvanized	A	168,-	18,-	186,-
Castor Set, polyamide, Load capacity 1050 kg / castor set	A	150,-	15,-	165,-
Skip Body Welded Oil and Watertight	A	75,-	0,-	75,-
<b>EXPO 300, painted</b>	A	601,-	124,-	725,-
Lid, galvanized	A	168,-	18,-	186,-
Castor Set, polyamide, Load capacity 1350 kg / castor set	A	185,-	15,-	200,-
Skip Body Welded Oil and Watertight	A	75,-	0,-	75,-
<b>EXPO 300, hot-dip galvanized</b>	A	771,-	124,-	895,-
Lid, galvanized	A	168,-	18,-	186,-
Castor Set, polyamide, Load capacity 1350 kg / castor set	A	185,-	15,-	200,-
Skip Body Welded Oil and Watertight	A	75,-	0,-	75,-
<b>EXPO 600, painted</b>	A	708,-	124,-	832,-
Lid, galvanized	A	189,-	22,-	211,-
Castor Set, polyamide, Load capacity 1350 kg / castor set	A	185,-	15,-	200,-
Skip Body Welded Oil and Watertight	A	75,-	0,-	75,-
<b>EXPO 600, hot-dip galvanized</b>	A	849,-	124,-	973,-
Lid, galvanized	A	189,-	22,-	211,-
Castor Set, polyamide, Load capacity 1350 kg / castor set	A	185,-	15,-	200,-
Skip Body Welded Oil and Watertight	A	75,-	0,-	75,-
<b>EXPO 900, painted</b>	A	790,-	124,-	914,-
Lid, galvanized	A	215,-	27,-	242,-
Castor Set, polyamide, Load capacity 1350 kg / castor set	A	185,-	15,-	200,-
Skip Body Welded Oil and Watertight	A	75,-	0,-	75,-
<b>EXPO 900, hot-dip galvanized</b>	A	931,-	124,-	1055,-
Lid, galvanized	A	215,-	27,-	242,-

Prices in EUR, valid EXW DE-46354 Südlohn, DE-38820 Halberstadt, unpacked  
Freight charges valid CPT Poland, islands and oversea territories excluded

# Price List 0424 en-PL

## Forklift Truck Attachments



Tilting Container Type EXPO®	Category	Price	Freight charges	Price including freight charges
Castor Set, polyamide, Load capacity 1350 kg / castor set	A	185,-	15,-	200,-
Skip Body Welded Oil and Watertight	A	75,-	0,-	75,-
<b>EXPO 1200, painted</b>	A	855,-	175,-	1030,-
Lid, galvanized	A	215,-	26,-	241,-
Castor Set, polyamide, Load capacity 1350 kg / castor set	A	185,-	15,-	200,-
Skip Body Welded Oil and Watertight	A	116,-	0,-	116,-
<b>EXPO 1200, hot-dip galvanized</b>	A	1006,-	175,-	1181,-
Lid, galvanized	A	215,-	26,-	241,-
Castor Set, polyamide, Load capacity 1350 kg / castor set	A	185,-	15,-	200,-
Skip Body Welded Oil and Watertight	A	116,-	0,-	116,-
<b>EXPO 1700, painted</b>	A	1161,-	175,-	1336,-
Lid, galvanized	A	266,-	33,-	299,-
Castor Set, polyamide, Load capacity 1350 kg / castor set	A	185,-	15,-	200,-
Skip Body Welded Oil and Watertight	A	116,-	0,-	116,-
<b>EXPO 1700, hot-dip galvanized</b>	A	1386,-	175,-	1561,-
Lid, galvanized	A	266,-	33,-	299,-
Castor Set, polyamide, Load capacity 1350 kg / castor set	A	185,-	15,-	200,-
Skip Body Welded Oil and Watertight	A	116,-	0,-	116,-
<b>EXPO 2100, painted</b>	A	1280,-	175,-	1455,-
Lid, galvanized	A	347,-	36,-	383,-
Castor Set, polyamide, Load capacity 1350 kg / castor set	A	185,-	15,-	200,-
Skip Body Welded Oil and Watertight	A	116,-	0,-	116,-
<b>EXPO 2100, hot-dip galvanized</b>	A	1551,-	175,-	1726,-
Lid, galvanized	A	347,-	36,-	383,-
Castor Set, polyamide, Load capacity 1350 kg / castor set	A	185,-	15,-	200,-
Skip Body Welded Oil and Watertight	A	116,-	0,-	116,-
Swarf Tilting Container Type EXPO®-E	Category	Price	Freight charges	Price including freight charges
<b>EXPO-E 150, painted</b>	A	704,-	89,-	793,-
Lid, galvanized	A	168,-	18,-	186,-
Castor Set, polyamide, Load capacity 1050 kg / castor set	A	150,-	15,-	165,-
<b>EXPO-E 150, hot-dip galvanized</b>	A	808,-	89,-	897,-
Lid, galvanized	A	168,-	18,-	186,-
Castor Set, polyamide, Load capacity 1050 kg / castor set	A	150,-	15,-	165,-
<b>EXPO-E 225, painted</b>	A	755,-	89,-	844,-
Lid, galvanized	A	168,-	18,-	186,-
Castor Set, polyamide, Load capacity 1050 kg / castor set	A	150,-	15,-	165,-
<b>EXPO-E 225, hot-dip galvanized</b>	A	876,-	89,-	965,-
Lid, galvanized	A	168,-	18,-	186,-
Castor Set, polyamide, Load capacity 1050 kg / castor set	A	150,-	15,-	165,-
<b>EXPO-E 275, painted</b>	A	784,-	89,-	873,-
Lid, galvanized	A	168,-	18,-	186,-
Castor Set, polyamide, Load capacity 1050 kg / castor set	A	150,-	15,-	165,-
<b>EXPO-E 275, hot-dip galvanized</b>	A	912,-	89,-	1001,-
Lid, galvanized	A	168,-	18,-	186,-
Castor Set, polyamide, Load capacity 1050 kg / castor set	A	150,-	15,-	165,-

Prices in EUR, valid EXW DE-46354 Südlohn, DE-38820 Halberstadt, unpacked  
Freight charges valid CPT Poland, islands and oversea territories excluded



# Price List 0424 en-PL

## Forklift Truck Attachments



<b>Swarf Tilting Container Type EXPO®-E</b>	<b>Category</b>	<b>Price</b>	<b>Freight charges</b>	<b>Price including freight charges</b>
<b>EXPO-E 300, painted</b>	A	718,-	124,-	842,-
Lid, galvanized	A	168,-	18,-	186,-
Castor Set, polyamide, Load capacity 1350 kg / castor set	A	185,-	15,-	200,-
<b>EXPO-E 300, hot-dip galvanized</b>	A	887,-	124,-	1011,-
Lid, galvanized	A	168,-	18,-	186,-
Castor Set, polyamide, Load capacity 1350 kg / castor set	A	185,-	15,-	200,-
<b>EXPO-E 600, painted</b>	A	824,-	124,-	948,-
Lid, galvanized	A	189,-	22,-	211,-
Castor Set, polyamide, Load capacity 1350 kg / castor set	A	185,-	15,-	200,-
<b>EXPO-E 600, hot-dip galvanized</b>	A	965,-	124,-	1089,-
Lid, galvanized	A	189,-	22,-	211,-
Castor Set, polyamide, Load capacity 1350 kg / castor set	A	185,-	15,-	200,-
<b>EXPO-E 900, painted</b>	A	906,-	124,-	1030,-
Lid, galvanized	A	215,-	27,-	242,-
Castor Set, polyamide, Load capacity 1350 kg / castor set	A	185,-	15,-	200,-
<b>EXPO-E 900, hot-dip galvanized</b>	A	1048,-	124,-	1172,-
Lid, galvanized	A	215,-	27,-	242,-
Castor Set, polyamide, Load capacity 1350 kg / castor set	A	185,-	15,-	200,-
<b>EXPO-E 1200, painted</b>	A	1012,-	175,-	1187,-
Lid, galvanized	A	215,-	26,-	241,-
Castor Set, polyamide, Load capacity 1350 kg / castor set	A	185,-	15,-	200,-
<b>EXPO-E 1200, hot-dip galvanized</b>	A	1163,-	175,-	1338,-
Lid, galvanized	A	215,-	26,-	241,-
Castor Set, polyamide, Load capacity 1350 kg / castor set	A	185,-	15,-	200,-
<b>EXPO-E 1700, painted</b>	A	1318,-	175,-	1493,-
Lid, galvanized	A	266,-	33,-	299,-
Castor Set, polyamide, Load capacity 1350 kg / castor set	A	185,-	15,-	200,-
<b>EXPO-E 1700, hot-dip galvanized</b>	A	1543,-	175,-	1718,-
Lid, galvanized	A	266,-	33,-	299,-
Castor Set, polyamide, Load capacity 1350 kg / castor set	A	185,-	15,-	200,-
<b>EXPO-E 2100, painted</b>	A	1437,-	175,-	1612,-
Lid, galvanized	A	347,-	36,-	383,-
Castor Set, polyamide, Load capacity 1350 kg / castor set	A	185,-	15,-	200,-
<b>EXPO-E 2100, hot-dip galvanized</b>	A	1708,-	175,-	1883,-
Lid, galvanized	A	347,-	36,-	383,-
Castor Set, polyamide, Load capacity 1350 kg / castor set	A	185,-	15,-	200,-

<b>Container With Drop Away Base Type FB</b>	<b>Category</b>	<b>Price</b>	<b>Freight charges</b>	<b>Price including freight charges</b>
<b>FB 500, painted</b>	A	781,-	124,-	905,-
Lid, galvanized	A	189,-	15,-	204,-
Castor Set, polyamide, Load capacity 1350 kg / castor set	A	185,-	15,-	200,-
Guiding Plates, galvanized	A	112,-	12,-	124,-
<b>FB 500, hot-dip galvanized</b>	A	960,-	124,-	1084,-
Lid, galvanized	A	189,-	15,-	204,-
Castor Set, polyamide, Load capacity 1350 kg / castor set	A	185,-	15,-	200,-
Guiding Plates, galvanized	A	112,-	12,-	124,-

Prices in EUR, valid EXW DE-46354 Südlohn, DE-38820 Halberstadt, unpacked  
 Freight charges valid CPT Poland, islands and oversea territories excluded

# Price List 0424 en-PL

## Forklift Truck Attachments



Container With Drop Away Base Type FB	Category	Price	Freight charges	Price including freight charges
<b>FB 750, painted</b>	A	850,-	124,-	974,-
Lid, galvanized	A	189,-	15,-	204,-
Castor Set, polyamide, Load capacity 1350 kg / castor set	A	185,-	15,-	200,-
Guiding Plates, galvanized	A	112,-	12,-	124,-
<b>FB 750, hot-dip galvanized</b>	A	1038,-	124,-	1162,-
Lid, galvanized	A	189,-	15,-	204,-
Castor Set, polyamide, Load capacity 1350 kg / castor set	A	185,-	15,-	200,-
Guiding Plates, galvanized	A	112,-	12,-	124,-
<b>FB 1000, painted</b>	A	910,-	124,-	1034,-
Lid, galvanized	A	229,-	18,-	247,-
Castor Set, polyamide, Load capacity 1350 kg / castor set	A	185,-	15,-	200,-
Guiding Plates, galvanized	A	112,-	12,-	124,-
<b>FB 1000, hot-dip galvanized</b>	A	1117,-	124,-	1241,-
Lid, galvanized	A	229,-	18,-	247,-
Castor Set, polyamide, Load capacity 1350 kg / castor set	A	185,-	15,-	200,-
Guiding Plates, galvanized	A	112,-	12,-	124,-
<b>FB 1500, painted</b>	A	1067,-	175,-	1242,-
Lid, galvanized	A	339,-	21,-	360,-
Castor Set, polyamide, Load capacity 1350 kg / castor set	A	185,-	15,-	200,-
Guiding Plates, galvanized	A	112,-	12,-	124,-
<b>FB 1500, hot-dip galvanized</b>	A	1344,-	175,-	1519,-
Lid, galvanized	A	339,-	21,-	360,-
Castor Set, polyamide, Load capacity 1350 kg / castor set	A	185,-	15,-	200,-
Guiding Plates, galvanized	A	112,-	12,-	124,-
<b>FB 2000, painted</b>	A	1151,-	175,-	1326,-
Lid, galvanized	A	339,-	21,-	360,-
Castor Set, polyamide, Load capacity 1350 kg / castor set	A	185,-	15,-	200,-
Guiding Plates, galvanized	A	112,-	12,-	124,-
<b>FB 2000, hot-dip galvanized</b>	A	1460,-	175,-	1635,-
Lid, galvanized	A	339,-	21,-	360,-
Castor Set, polyamide, Load capacity 1350 kg / castor set	A	185,-	15,-	200,-
Guiding Plates, galvanized	A	112,-	12,-	124,-
<b>Drum Tipper Type FD/L-HK</b>	<b>Category</b>	<b>Price</b>	<b>Freight charges</b>	<b>Price including freight charges</b>
FD/L-HK, painted	B	2245,-	124,-	2369,-
FD/L-HK, hot-dip galvanized	B	2671,-	124,-	2795,-
<b>Drum Tipper Type FD/L-K</b>	<b>Category</b>	<b>Price</b>	<b>Freight charges</b>	<b>Price including freight charges</b>
FD/L-K, painted	B	2429,-	124,-	2553,-
FD/L-K, hot-dip galvanized	B	2864,-	124,-	2988,-
<b>Drum Tipper Type FD-H</b>	<b>Category</b>	<b>Price</b>	<b>Freight charges</b>	<b>Price including freight charges</b>
FD-H, painted	B	2505,-	89,-	2594,-
FD-H, hot-dip galvanized	B	2732,-	89,-	2821,-

Prices in EUR, valid EXW DE-46354 Südlohn, DE-38820 Halberstadt, unpacked  
Freight charges valid CPT Poland, islands and oversea territories excluded

# Price List 0424 en-PL

## Forklift Truck Attachments



Drum Tipper Type FD-HK	Category	Price	Freight charges	Price including freight charges
FD-HK, painted	B	1929,-	89,-	2018,-
FD-HK, hot-dip galvanized	B	2161,-	89,-	2250,-
Drum Tipper Type FD-K	Category	Price	Freight charges	Price including freight charges
FD-K, painted	B	2114,-	89,-	2203,-
FD-K, hot-dip galvanized	B	2354,-	89,-	2443,-
Drum Tipper Type FD-SK	Category	Price	Freight charges	Price including freight charges
FD-SK, painted	B	1929,-	89,-	2018,-
FD-SK, hot-dip galvanized	B	2161,-	89,-	2250,-
Drum Jack Type FH	Category	Price	Freight charges	Price including freight charges
FH-I 120, painted	B	1589,-	89,-	1678,-
FH-I 120, hot-dip galvanized	B	1761,-	89,-	1850,-
FH-I 220, painted	B	1589,-	89,-	1678,-
FH-I 220, hot-dip galvanized	B	1789,-	89,-	1878,-
FH-II 120, painted	B	2320,-	89,-	2409,-
FH-II 120, hot-dip galvanized	B	2582,-	89,-	2671,-
FH-II 220, painted	B	2320,-	89,-	2409,-
FH-II 220, hot-dip galvanized	B	2636,-	89,-	2725,-
Drum Gripper Type FK	Category	Price	Freight charges	Price including freight charges
FK-I, painted	B	1208,-	89,-	1297,-
FK-I, hot-dip galvanized	B	1472,-	89,-	1561,-
FK-II, painted	B	1437,-	124,-	1561,-
FK-II, hot-dip galvanized	B	1818,-	124,-	1942,-
Drum Clamp Type FKL	Category	Price	Freight charges	Price including freight charges
FKL, painted	B	463,-	50,-	513,-
Drum Tipper Type FLEX-HK	Category	Price	Freight charges	Price including freight charges
FLEX-HK, painted	B	2090,-	89,-	2179,-
Shelf Drum Pallet RP, galvanized	B	140,-	50,-	190,-
FLEX-HK, hot-dip galvanized	B	2258,-	89,-	2347,-
Shelf Drum Pallet RP, galvanized	B	140,-	50,-	190,-
Drum Tipper Type FLEX-K	Category	Price	Freight charges	Price including freight charges
FLEX-K, painted	B	2283,-	89,-	2372,-
Shelf Drum Pallet RP, galvanized	B	140,-	50,-	190,-
FLEX-K, hot-dip galvanized	B	2447,-	89,-	2536,-
Shelf Drum Pallet RP, galvanized	B	140,-	50,-	190,-
Drum Traverse Type FT/M	Category	Price	Freight charges	Price including freight charges
FT/M, galvanized	B	305,-	50,-	355,-

Prices in EUR, valid EXW DE-46354 Südlohn, DE-38820 Halberstadt, unpacked  
Freight charges valid CPT Poland, islands and oversea territories excluded

# Price List 0424 en-PL

## Forklift Truck Attachments



Drum Traverse Type FT/MK	Category	Price	Freight charges	Price including freight charges
FT/MK, galvanized	B	349,-	50,-	399,-
Drum Turner Type FW	Category	Price	Freight charges	Price including freight charges
FW-I, painted	B	1342,-	124,-	1466,-
FW-I, hot-dip galvanized	B	1742,-	124,-	1866,-
FW-II, painted	B	1879,-	124,-	2003,-
FW-II, hot-dip galvanized	B	2447,-	124,-	2571,-
Drum Turning Claw Type FWZ	Category	Price	Freight charges	Price including freight charges
FWZ-60, painted	B	1309,-	89,-	1398,-
FWZ-60, hot-dip galvanized	B	1289,-	89,-	1378,-
FWZ-200, painted	B	1349,-	89,-	1438,-
FWZ-200, hot-dip galvanized	B	1329,-	89,-	1418,-
Fork Extensions Type GG	Category	Price	Freight charges	Price including freight charges
GG 80/40 (1600 mm long), painted	A	522,-	89,-	611,-
GG 80/40 (1800 mm long), painted	A	550,-	89,-	639,-
GG 80/40 (2000 mm long), painted	A	580,-	89,-	669,-
GG 100/40 (1600 mm long), painted	A	522,-	89,-	611,-
GG 100/40 (1800 mm long), painted	A	550,-	89,-	639,-
GG 100/40 (2000 mm long), painted	A	580,-	89,-	669,-
GG 100/45 (1600 mm long), painted	A	522,-	89,-	611,-
GG 100/45 (1800 mm long), painted	A	550,-	89,-	639,-
GG 100/45 (2000 mm long), painted	A	580,-	89,-	669,-
GG 100/50 (1600 mm long), painted	A	522,-	89,-	611,-
GG 100/50 (1800 mm long), painted	A	550,-	89,-	639,-
GG 100/50 (2000 mm long), painted	A	580,-	124,-	704,-
GG 120/40 (1600 mm long), painted	A	550,-	89,-	639,-
GG 120/40 (1800 mm long), painted	A	580,-	124,-	704,-
GG 120/40 (2000 mm long), painted	A	623,-	124,-	747,-
GG 120/50 (1600 mm long), painted	A	550,-	89,-	639,-
GG 120/50 (1800 mm long), painted	A	580,-	124,-	704,-
GG 120/50 (2000 mm long), painted	A	623,-	124,-	747,-
GG 125/45 (1600 mm long), painted	A	550,-	89,-	639,-
GG 125/45 (1800 mm long), painted	A	580,-	124,-	704,-
GG 125/45 (2000 mm long), painted	A	623,-	124,-	747,-
GG 125/50 (1600 mm long), painted	A	550,-	89,-	639,-
GG 125/50 (1800 mm long), painted	A	580,-	124,-	704,-
GG 125/50 (2000 mm long), painted	A	623,-	124,-	747,-
GG 150/50 (1600 mm long), painted	A	612,-	124,-	736,-
GG 150/50 (1800 mm long), painted	A	657,-	124,-	781,-
GG 150/50 (2000 mm long), painted	A	688,-	124,-	812,-
GG 150/70 (1600 mm long), painted	A	612,-	124,-	736,-
GG 150/70 (1800 mm long), painted	A	657,-	124,-	781,-
GG 150/70 (2000 mm long), painted	A	688,-	124,-	812,-

Prices in EUR, valid EXW DE-46354 Südlohn, DE-38820 Halberstadt, unpacked  
Freight charges valid CPT Poland, islands and oversea territories excluded

# Price List 0424 en-PL

## Forklift Truck Attachments



Fork Extensions Type GO	Category	Price	Freight charges	Price including freight charges
GO 80/40 (1600 mm long), painted	A	376,-	89,-	465,-
GO 80/40 (1800 mm long), painted	A	382,-	89,-	471,-
GO 80/40 (2000 mm long), painted	A	397,-	89,-	486,-
GO 100/40 (1600 mm long), painted	A	376,-	89,-	465,-
GO 100/40 (1800 mm long), painted	A	382,-	89,-	471,-
GO 100/40 (2000 mm long), painted	A	397,-	89,-	486,-
GO 100/45 (1600 mm long), painted	A	376,-	89,-	465,-
GO 100/45 (1800 mm long), painted	A	382,-	89,-	471,-
GO 100/45 (2000 mm long), painted	A	397,-	89,-	486,-
GO 100/50 (1600 mm long), painted	A	376,-	89,-	465,-
GO 100/50 (1800 mm long), painted	A	382,-	89,-	471,-
GO 100/50 (2000 mm long), painted	A	397,-	89,-	486,-
GO 120/40 (1600 mm long), painted	A	382,-	89,-	471,-
GO 120/40 (1800 mm long), painted	A	403,-	89,-	492,-
GO 120/40 (2000 mm long), painted	A	420,-	89,-	509,-
GO 120/50 (1600 mm long), painted	A	382,-	89,-	471,-
GO 120/50 (1800 mm long), painted	A	403,-	89,-	492,-
GO 120/50 (2000 mm long), painted	A	420,-	89,-	509,-
GO 125/45 (1600 mm long), painted	A	382,-	89,-	471,-
GO 125/45 (1800 mm long), painted	A	403,-	89,-	492,-
GO 125/45 (2000 mm long), painted	A	420,-	89,-	509,-
GO 125/50 (1600 mm long), painted	A	382,-	89,-	471,-
GO 125/50 (1800 mm long), painted	A	403,-	89,-	492,-
GO 125/50 (2000 mm long), painted	A	420,-	89,-	509,-
GO 150/50 (1600 mm long), painted	A	458,-	89,-	547,-
GO 150/50 (1800 mm long), painted	A	498,-	89,-	587,-
GO 150/50 (2000 mm long), painted	A	536,-	89,-	625,-
GO 150/70 (1600 mm long), painted	A	458,-	89,-	547,-
GO 150/70 (1800 mm long), painted	A	498,-	89,-	587,-
GO 150/70 (2000 mm long), painted	A	536,-	89,-	625,-

Tilting Container Type GU	Category	Price	Freight charges	Price including freight charges
<b>GU 300, painted</b>	A	632,-	124,-	756,-
Lid, galvanized	A	94,-	18,-	112,-
Castor Set, polyamide, Load capacity 1350 kg / castor set	A	185,-	15,-	200,-
Skip Body Welded Oil and Watertight	A	75,-	0,-	75,-
Crane lifting eyes for use with a crane	A	102,-	8,-	110,-
Support legs, 100 mm ground leeway	A	67,-	8,-	75,-
<b>GU 300, hot-dip galvanized</b>	A	836,-	124,-	960,-
Lid, galvanized	A	94,-	18,-	112,-
Castor Set, polyamide, Load capacity 1350 kg / castor set	A	185,-	15,-	200,-
Skip Body Welded Oil and Watertight	A	75,-	0,-	75,-
Crane lifting eyes for use with a crane	A	102,-	8,-	110,-
Support legs, 100 mm ground leeway	A	67,-	8,-	75,-
<b>GU 500, painted</b>	A	860,-	124,-	984,-
Lid, galvanized	A	94,-	18,-	112,-

Prices in EUR, valid EXW DE-46354 Südlohn, DE-38820 Halberstadt, unpacked  
 Freight charges valid CPT Poland, islands and oversea territories excluded

# Price List 0424 en-PL

## Forklift Truck Attachments



Tilting Container Type GU	Category	Price	Freight charges	Price including freight charges
Castor Set, polyamide, Load capacity 1350 kg / castor set	A	185,-	15,-	200,-
Skip Body Welded Oil and Watertight	A	75,-	0,-	75,-
Adjustable dumping brake	A	448,-	10,-	458,-
Crane lifting eyes for use with a crane	A	102,-	8,-	110,-
Support legs, 100 mm ground leeway	A	67,-	8,-	75,-
<b>GU 500, hot-dip galvanized</b>	A	1120,-	124,-	1244,-
Lid, galvanized	A	94,-	18,-	112,-
Castor Set, polyamide, Load capacity 1350 kg / castor set	A	185,-	15,-	200,-
Skip Body Welded Oil and Watertight	A	75,-	0,-	75,-
Adjustable dumping brake	A	448,-	10,-	458,-
Crane lifting eyes for use with a crane	A	102,-	8,-	110,-
Support legs, 100 mm ground leeway	A	67,-	8,-	75,-
<b>GU 750, painted</b>	A	1016,-	124,-	1140,-
Lid, galvanized	A	134,-	26,-	160,-
Castor Set, polyamide, Load capacity 1350 kg / castor set	A	185,-	15,-	200,-
Skip Body Welded Oil and Watertight	A	75,-	0,-	75,-
Adjustable dumping brake	A	448,-	10,-	458,-
Crane lifting eyes for use with a crane	A	102,-	8,-	110,-
Support legs, 100 mm ground leeway	A	67,-	8,-	75,-
<b>GU 750, hot-dip galvanized</b>	A	1324,-	124,-	1448,-
Lid, galvanized	A	134,-	26,-	160,-
Castor Set, polyamide, Load capacity 1350 kg / castor set	A	185,-	15,-	200,-
Skip Body Welded Oil and Watertight	A	75,-	0,-	75,-
Adjustable dumping brake	A	448,-	10,-	458,-
Crane lifting eyes for use with a crane	A	102,-	8,-	110,-
Support legs, 100 mm ground leeway	A	67,-	8,-	75,-
<b>GU 1000, painted</b>	A	1123,-	124,-	1247,-
Lid, galvanized	A	185,-	27,-	212,-
Castor Set, polyamide, Load capacity 1350 kg / castor set	A	185,-	15,-	200,-
Skip Body Welded Oil and Watertight	A	116,-	0,-	116,-
Adjustable dumping brake	A	448,-	10,-	458,-
Crane lifting eyes for use with a crane	A	102,-	8,-	110,-
Support legs, 100 mm ground leeway	A	67,-	8,-	75,-
<b>GU 1000, hot-dip galvanized</b>	A	1591,-	175,-	1766,-
Lid, galvanized	A	185,-	27,-	212,-
Castor Set, polyamide, Load capacity 1350 kg / castor set	A	185,-	15,-	200,-
Skip Body Welded Oil and Watertight	A	116,-	0,-	116,-
Adjustable dumping brake	A	448,-	10,-	458,-
Crane lifting eyes for use with a crane	A	102,-	8,-	110,-
Support legs, 100 mm ground leeway	A	67,-	8,-	75,-
<b>GU 1500, painted</b>	A	1311,-	175,-	1486,-
Lid, galvanized	A	185,-	27,-	212,-
Castor Set, polyamide, Load capacity 1350 kg / castor set	A	185,-	15,-	200,-
Skip Body Welded Oil and Watertight	A	116,-	0,-	116,-
Adjustable dumping brake	A	448,-	10,-	458,-
Crane lifting eyes for use with a crane	A	102,-	8,-	110,-

Prices in EUR, valid EXW DE-46354 Südlohn, DE-38820 Halberstadt, unpacked  
Freight charges valid CPT Poland, islands and oversea territories excluded

# Price List 0424 en-PL

## Forklift Truck Attachments



Tilting Container Type GU	Category	Price	Freight charges	Price including freight charges
Support legs, 100 mm ground leeway	A	67,-	8,-	75,-
<b>GU 1500, hot-dip galvanized</b>	A	1709,-	175,-	1884,-
Lid, galvanized	A	185,-	27,-	212,-
Castor Set, polyamide, Load capacity 1350 kg / castor set	A	185,-	15,-	200,-
Skip Body Welded Oil and Watertight	A	116,-	0,-	116,-
Adjustable dumping brake	A	448,-	10,-	458,-
Crane lifting eyes for use with a crane	A	102,-	8,-	110,-
Support legs, 100 mm ground leeway	A	67,-	8,-	75,-
<b>GU 2000, painted</b>	A	1618,-	175,-	1793,-
Lid, galvanized	A	218,-	32,-	250,-
Castor Set, polyamide, Load capacity 1350 kg / castor set	A	185,-	15,-	200,-
Skip Body Welded Oil and Watertight	A	116,-	0,-	116,-
Adjustable dumping brake	A	448,-	10,-	458,-
Crane lifting eyes for use with a crane	A	102,-	8,-	110,-
Support legs, 100 mm ground leeway	A	67,-	8,-	75,-
<b>GU 2000, hot-dip galvanized</b>	A	2125,-	175,-	2300,-
Lid, galvanized	A	218,-	32,-	250,-
Castor Set, polyamide, Load capacity 1350 kg / castor set	A	185,-	15,-	200,-
Skip Body Welded Oil and Watertight	A	116,-	0,-	116,-
Adjustable dumping brake	A	448,-	10,-	458,-
Crane lifting eyes for use with a crane	A	102,-	8,-	110,-
Support legs, 100 mm ground leeway	A	67,-	8,-	75,-
Swarf Tilting Container Type GU-E	Category	Price	Freight charges	Price including freight charges
<b>GU-E 300, painted</b>	A	748,-	124,-	872,-
Lid, galvanized	A	94,-	18,-	112,-
Castor Set, polyamide, Load capacity 1350 kg / castor set	A	185,-	15,-	200,-
Crane lifting eyes for use with a crane	A	102,-	8,-	110,-
Support legs, 100 mm ground leeway	A	67,-	8,-	75,-
<b>GU-E 300, hot-dip galvanized</b>	A	952,-	124,-	1076,-
Lid, galvanized	A	94,-	18,-	112,-
Castor Set, polyamide, Load capacity 1350 kg / castor set	A	185,-	15,-	200,-
Crane lifting eyes for use with a crane	A	102,-	8,-	110,-
Support legs, 100 mm ground leeway	A	67,-	8,-	75,-
<b>GU-E 500, painted</b>	A	977,-	124,-	1101,-
Lid, galvanized	A	94,-	18,-	112,-
Castor Set, polyamide, Load capacity 1350 kg / castor set	A	185,-	15,-	200,-
Adjustable dumping brake	A	448,-	10,-	458,-
Crane lifting eyes for use with a crane	A	102,-	8,-	110,-
Support legs, 100 mm ground leeway	A	67,-	8,-	75,-
<b>GU-E 500, hot-dip galvanized</b>	A	1236,-	124,-	1360,-
Lid, galvanized	A	94,-	18,-	112,-
Castor Set, polyamide, Load capacity 1350 kg / castor set	A	185,-	15,-	200,-
Adjustable dumping brake	A	448,-	10,-	458,-
Crane lifting eyes for use with a crane	A	102,-	8,-	110,-
Support legs, 100 mm ground leeway	A	67,-	8,-	75,-

Prices in EUR, valid EXW DE-46354 Südlohn, DE-38820 Halberstadt, unpacked  
Freight charges valid CPT Poland, islands and oversea territories excluded

# Price List 0424 en-PL

## Forklift Truck Attachments



Swarf Tilting Container Type GU-E	Category	Price	Freight charges	Price including freight charges
<b>GU-E 750, painted</b>	A	1132,-	124,-	1256,-
Lid, galvanized	A	134,-	26,-	160,-
Castor Set, polyamide, Load capacity 1350 kg / castor set	A	185,-	15,-	200,-
Adjustable dumping brake	A	448,-	10,-	458,-
Crane lifting eyes for use with a crane	A	102,-	8,-	110,-
Support legs, 100 mm ground leeway	A	67,-	8,-	75,-
<b>GU-E 750, hot-dip galvanized</b>	A	1440,-	124,-	1564,-
Lid, galvanized	A	134,-	26,-	160,-
Castor Set, polyamide, Load capacity 1350 kg / castor set	A	185,-	15,-	200,-
Adjustable dumping brake	A	448,-	10,-	458,-
Crane lifting eyes for use with a crane	A	102,-	8,-	110,-
Support legs, 100 mm ground leeway	A	67,-	8,-	75,-
<b>GU-E 1000, painted</b>	A	1280,-	124,-	1404,-
Lid, galvanized	A	185,-	27,-	212,-
Castor Set, polyamide, Load capacity 1350 kg / castor set	A	185,-	15,-	200,-
Adjustable dumping brake	A	448,-	10,-	458,-
Crane lifting eyes for use with a crane	A	102,-	8,-	110,-
Support legs, 100 mm ground leeway	A	67,-	8,-	75,-
<b>GU-E 1000, hot-dip galvanized</b>	A	1748,-	175,-	1923,-
Lid, galvanized	A	185,-	27,-	212,-
Castor Set, polyamide, Load capacity 1350 kg / castor set	A	185,-	15,-	200,-
Adjustable dumping brake	A	448,-	10,-	458,-
Crane lifting eyes for use with a crane	A	102,-	8,-	110,-
Support legs, 100 mm ground leeway	A	67,-	8,-	75,-
<b>GU-E 1500, painted</b>	A	1468,-	175,-	1643,-
Lid, galvanized	A	185,-	27,-	212,-
Castor Set, polyamide, Load capacity 1350 kg / castor set	A	185,-	15,-	200,-
Adjustable dumping brake	A	448,-	10,-	458,-
Crane lifting eyes for use with a crane	A	102,-	8,-	110,-
Support legs, 100 mm ground leeway	A	67,-	8,-	75,-
<b>GU-E 1500, hot-dip galvanized</b>	A	1866,-	175,-	2041,-
Lid, galvanized	A	185,-	27,-	212,-
Castor Set, polyamide, Load capacity 1350 kg / castor set	A	185,-	15,-	200,-
Adjustable dumping brake	A	448,-	10,-	458,-
Crane lifting eyes for use with a crane	A	102,-	8,-	110,-
Support legs, 100 mm ground leeway	A	67,-	8,-	75,-
<b>GU-E 2000, painted</b>	A	1775,-	175,-	1950,-
Lid, galvanized	A	218,-	32,-	250,-
Castor Set, polyamide, Load capacity 1350 kg / castor set	A	185,-	15,-	200,-
Adjustable dumping brake	A	448,-	10,-	458,-
Crane lifting eyes for use with a crane	A	102,-	8,-	110,-
Support legs, 100 mm ground leeway	A	67,-	8,-	75,-
<b>GU-E 2000, hot-dip galvanized</b>	A	2282,-	175,-	2457,-
Lid, galvanized	A	218,-	32,-	250,-
Castor Set, polyamide, Load capacity 1350 kg / castor set	A	185,-	15,-	200,-
Adjustable dumping brake	A	448,-	10,-	458,-

Prices in EUR, valid EXW DE-46354 Südlohn, DE-38820 Halberstadt, unpacked  
Freight charges valid CPT Poland, islands and oversea territories excluded



# Price List 0424 en-PL

## Forklift Truck Attachments



<b>Swarf Tilting Container Type GU-E</b>	<b>Category</b>	<b>Price</b>	<b>Freight charges</b>	<b>Price including freight charges</b>
Crane lifting eyes for use with a crane	A	102,-	8,-	110,-
Support legs, 100 mm ground leeway	A	67,-	8,-	75,-

<b>Tilting Container Type GU-RZ</b>	<b>Category</b>	<b>Price</b>	<b>Freight charges</b>	<b>Price including freight charges</b>
<b>GU-RZ 30, painted</b>	A	675,-	124,-	799,-
Lid, galvanized	A	91,-	18,-	109,-
<b>GU-RZ 30, hot-dip galvanized</b>	A	752,-	124,-	876,-
Lid, galvanized	A	91,-	18,-	109,-
<b>GU-RZ 55, painted</b>	A	899,-	124,-	1023,-
Lid, galvanized	A	91,-	18,-	109,-
<b>GU-RZ 55, hot-dip galvanized</b>	A	991,-	124,-	1115,-
Lid, galvanized	A	91,-	18,-	109,-

<b>Fork Protection Type GZS</b>	<b>Category</b>	<b>Price</b>	<b>Freight charges</b>	<b>Price including freight charges</b>
GZS, painted	F	172,-	50,-	222,-

<b>Container With Drop Away Base Type HKB</b>	<b>Category</b>	<b>Price</b>	<b>Freight charges</b>	<b>Price including freight charges</b>
HKB 60, painted	A	1041,-	124,-	1165,-
HKB 60, hot-dip galvanized	A	1220,-	124,-	1344,-
HKB 70, painted	A	1101,-	124,-	1225,-
HKB 70, hot-dip galvanized	A	1295,-	124,-	1419,-
HKB 90, painted	A	1369,-	124,-	1493,-
HKB 90, hot-dip galvanized	A	1636,-	175,-	1811,-

<b>Shovel Type HVR</b>	<b>Category</b>	<b>Price</b>	<b>Freight charges</b>	<b>Price including freight charges</b>
HVR 50, painted	A	3278,-	175,-	3453,-
HVR 75, painted	A	3841,-	226,-	4067,-
HVR 80 L, painted	A	3956,-	226,-	4182,-
HVR 100, painted	A	4862,-	298,-	5160,-
HVR 150, painted	A	6214,-	298,-	6512,-

<b>Kippomat Type KG-A</b>	<b>Category</b>	<b>Price</b>	<b>Freight charges</b>	<b>Price including freight charges</b>
KG-A, hot-dip galvanized	A	3109,-	175,-	3284,-

<b>Kippomat Type KG-B</b>	<b>Category</b>	<b>Price</b>	<b>Freight charges</b>	<b>Price including freight charges</b>
KG-B, hot-dip galvanized	A	3030,-	175,-	3205,-

<b>Kippomat Type KG-C</b>	<b>Category</b>	<b>Price</b>	<b>Freight charges</b>	<b>Price including freight charges</b>
KG-C, hot-dip galvanized	A	2010,-	124,-	2134,-

<b>Tipping Skip Type KK</b>	<b>Category</b>	<b>Price</b>	<b>Freight charges</b>	<b>Price including freight charges</b>
<b>KK 250, painted</b>	E	467,-	89,-	556,-
Lid, galvanized	E	131,-	15,-	146,-
Castor Set, polyamide, Load capacity 1050 kg / castor set	A	131,-	15,-	146,-

Prices in EUR, valid EXW DE-46354 Südlohn, DE-38820 Halberstadt, unpacked  
 Freight charges valid CPT Poland, islands and oversea territories excluded

# Price List 0424 en-PL

## Forklift Truck Attachments



Tipping Skip Type KK	Category	Price	Freight charges	Price including freight charges
Castor Set, solid rubber, Load capacity 615 kg / castor set	E	99,-	15,-	114,-
<b>KK 250, hot-dip galvanized</b>	E	515,-	89,-	604,-
Lid, galvanized	E	131,-	15,-	146,-
Castor Set, polyamide, Load capacity 1050 kg / castor set	A	131,-	15,-	146,-
Castor Set, solid rubber, Load capacity 615 kg / castor set	E	99,-	15,-	114,-
<b>KK 400, painted</b>	E	532,-	89,-	621,-
Lid, galvanized	E	150,-	16,-	166,-
Castor Set, polyamide, Load capacity 1050 kg / castor set	A	131,-	15,-	146,-
Castor Set, solid rubber, Load capacity 615 kg / castor set	E	99,-	15,-	114,-
<b>KK 400, hot-dip galvanized</b>	E	579,-	89,-	668,-
Lid, galvanized	E	150,-	16,-	166,-
Castor Set, polyamide, Load capacity 1050 kg / castor set	A	131,-	15,-	146,-
Castor Set, solid rubber, Load capacity 615 kg / castor set	E	99,-	15,-	114,-
<b>KK 600, painted</b>	E	738,-	124,-	862,-
Lid, galvanized	E	167,-	20,-	187,-
Castor Set, polyamide, Load capacity 1050 kg / castor set	A	131,-	15,-	146,-
Castor Set, solid rubber, Load capacity 615 kg / castor set	E	99,-	15,-	114,-
<b>KK 600, hot-dip galvanized</b>	E	835,-	124,-	959,-
Castor Set, solid rubber, Load capacity 615 kg / castor set	E	99,-	15,-	114,-
Lid, galvanized	E	167,-	20,-	187,-
Castor Set, polyamide, Load capacity 1050 kg / castor set	A	131,-	15,-	146,-
<b>KK 800, painted</b>	E	795,-	124,-	919,-
Lid, galvanized	E	174,-	21,-	195,-
Castor Set, polyamide, Load capacity 1050 kg / castor set	A	131,-	15,-	146,-
Castor Set, solid rubber, Load capacity 615 kg / castor set	E	99,-	15,-	114,-
<b>KK 800, hot-dip galvanized</b>	E	898,-	124,-	1022,-
Lid, galvanized	E	174,-	21,-	195,-
Castor Set, polyamide, Load capacity 1050 kg / castor set	A	131,-	15,-	146,-
Castor Set, solid rubber, Load capacity 615 kg / castor set	E	99,-	15,-	114,-
<b>KK 1000, painted</b>	E	851,-	124,-	975,-
Lid, galvanized	E	186,-	22,-	208,-
Castor Set, polyamide, Load capacity 1050 kg / castor set	A	131,-	15,-	146,-
Castor Set, solid rubber, Load capacity 615 kg / castor set	E	99,-	15,-	114,-
<b>KK 1000, hot-dip galvanized</b>	E	979,-	124,-	1103,-
Lid, galvanized	E	186,-	22,-	208,-
Castor Set, polyamide, Load capacity 1050 kg / castor set	A	131,-	15,-	146,-
Castor Set, solid rubber, Load capacity 615 kg / castor set	E	99,-	15,-	114,-
<b>Kippomat Type KM</b>	<b>Category</b>	<b>Price</b>	<b>Freight charges</b>	<b>Price including freight charges</b>
<b>KM, hot-dip galvanized</b>	A	3109,-	124,-	3233,-
<b>Tipping Skip Type KN</b>	<b>Category</b>	<b>Price</b>	<b>Freight charges</b>	<b>Price including freight charges</b>
<b>KN 250, painted</b>	E	467,-	89,-	556,-
Lid, galvanized	E	131,-	15,-	146,-
Castor Set, polyamide, Load capacity 1050 kg / castor set	A	131,-	15,-	146,-

Prices in EUR, valid EXW DE-46354 Südlohn, DE-38820 Halberstadt, unpacked  
Freight charges valid CPT Poland, islands and oversea territories excluded

# Price List 0424 en-PL

## Forklift Truck Attachments



<b>Tipping Skip Type KN</b>	<b>Category</b>	<b>Price</b>	<b>Freight charges</b>	<b>Price including freight charges</b>
Castor Set, solid rubber, Load capacity 615 kg / castor set	E	99,-	15,-	114,-
<b>KN 250, hot-dip galvanized</b>	E	515,-	89,-	604,-
Lid, galvanized	E	131,-	15,-	146,-
Castor Set, polyamide, Load capacity 1050 kg / castor set	A	131,-	15,-	146,-
Castor Set, solid rubber, Load capacity 615 kg / castor set	E	99,-	15,-	114,-
<b>KN 400, painted</b>	E	532,-	89,-	621,-
Lid, galvanized	E	150,-	16,-	166,-
Castor Set, polyamide, Load capacity 1050 kg / castor set	A	131,-	15,-	146,-
Castor Set, solid rubber, Load capacity 615 kg / castor set	E	99,-	15,-	114,-
<b>KN 400, hot-dip galvanized</b>	E	579,-	89,-	668,-
Lid, galvanized	E	150,-	16,-	166,-
Castor Set, polyamide, Load capacity 1050 kg / castor set	A	131,-	15,-	146,-
Castor Set, solid rubber, Load capacity 615 kg / castor set	E	99,-	15,-	114,-
<b>Tipping Skip Type KS</b>	<b>Category</b>	<b>Price</b>	<b>Freight charges</b>	<b>Price including freight charges</b>
<b>KS 400, painted</b>	E	869,-	124,-	993,-
<b>KS 550, painted</b>	E	931,-	124,-	1055,-
<b>KS 700, painted</b>	E	989,-	124,-	1113,-
<b>Extensible Crane Arm Type KT</b>	<b>Category</b>	<b>Price</b>	<b>Freight charges</b>	<b>Price including freight charges</b>
<b>KT 2,5, painted</b>	A	1399,-	124,-	1523,-
<b>KT 2,5, hot-dip galvanized</b>	A	1703,-	175,-	1878,-
<b>KT 5,0, painted</b>	A	1737,-	175,-	1912,-
<b>KT 5,0, hot-dip galvanized</b>	A	2166,-	175,-	2341,-
<b>Extensible Crane Arm Type KTH</b>	<b>Category</b>	<b>Price</b>	<b>Freight charges</b>	<b>Price including freight charges</b>
<b>KTH 2,5, painted</b>	A	1688,-	175,-	1863,-
<b>KTH 2,5, hot-dip galvanized</b>	A	1998,-	175,-	2173,-
<b>KTH 5,0, painted</b>	A	1943,-	175,-	2118,-
<b>KTH 5,0, hot-dip galvanized</b>	A	2292,-	175,-	2467,-
<b>Extensible Crane Arm Type KTH-K</b>	<b>Category</b>	<b>Price</b>	<b>Freight charges</b>	<b>Price including freight charges</b>
<b>KTH-K 2,5, painted</b>	A	1551,-	124,-	1675,-
<b>KTH-K 2,5, hot-dip galvanized</b>	A	1877,-	124,-	2001,-
<b>KTH-K 5,0, painted</b>	A	1789,-	124,-	1913,-
<b>KTH-K 5,0, hot-dip galvanized</b>	A	2156,-	175,-	2331,-
<b>Extensible Crane Arm Type KT-K</b>	<b>Category</b>	<b>Price</b>	<b>Freight charges</b>	<b>Price including freight charges</b>
<b>KT-K 2,5, painted</b>	A	1247,-	124,-	1371,-
<b>KT-K 2,5, hot-dip galvanized</b>	A	1567,-	124,-	1691,-
<b>KT-K 5,0, painted</b>	A	1570,-	124,-	1694,-
<b>KT-K 5,0, hot-dip galvanized</b>	A	2021,-	124,-	2145,-
<b>Barrow Tipper Type KW-ET</b>	<b>Category</b>	<b>Price</b>	<b>Freight charges</b>	<b>Price including freight charges</b>
<b>KW-ET 250, painted</b>	E	568,-	89,-	657,-

Prices in EUR, valid EXW DE-46354 Südlohn, DE-38820 Halberstadt, unpacked  
Freight charges valid CPT Poland, islands and oversea territories excluded

# Price List 0424 en-PL

## Forklift Truck Attachments



Barrow Tipper Type KW-ET	Category	Price	Freight charges	Price including freight charges
Lid, galvanized	E	131,-	15,-	146,-
<b>KW-ET 250, hot-dip galvanized</b>	E	869,-	89,-	958,-
Lid, galvanized	E	131,-	15,-	146,-
<b>KW-ET 400, painted</b>	E	626,-	89,-	715,-
Lid, galvanized	E	150,-	16,-	166,-
<b>KW-ET 400, hot-dip galvanized</b>	E	964,-	89,-	1053,-
Lid, galvanized	E	150,-	16,-	166,-
<b>KW-ET 600, painted</b>	E	780,-	124,-	904,-
Lid, galvanized	E	167,-	20,-	187,-
<b>KW-ET 600, hot-dip galvanized</b>	E	1126,-	124,-	1250,-
Lid, galvanized	E	167,-	20,-	187,-
<b>KW-ET 1000, painted</b>	E	963,-	124,-	1087,-
Lid, galvanized	E	186,-	22,-	208,-
<b>KW-ET 1000, hot-dip galvanized</b>	E	1537,-	124,-	1661,-
Lid, galvanized	E	186,-	22,-	208,-

Loading Arm Type LA	Category	Price	Freight charges	Price including freight charges
LA 1600-1,0, painted	A	523,-	89,-	612,-
LA 1600-1,0, hot-dip galvanized	A	561,-	89,-	650,-
LA 1600-2,5, painted	A	759,-	89,-	848,-
LA 1600-2,5, hot-dip galvanized	A	895,-	89,-	984,-
LA 1600-5,0, painted	A	1094,-	124,-	1218,-
LA 1600-5,0, hot-dip galvanized	A	1280,-	124,-	1404,-
LA 2400-1,0, painted	A	549,-	89,-	638,-
LA 2400-1,0, hot-dip galvanized	A	610,-	89,-	699,-
LA 2400-2,5, painted	A	847,-	124,-	971,-
LA 2400-2,5, hot-dip galvanized	A	982,-	124,-	1106,-
LA 2400-5,0, painted	A	1207,-	124,-	1331,-
LA 2400-5,0, hot-dip galvanized	A	1429,-	124,-	1553,-
LA 25-1,0, painted	A	610,-	89,-	699,-
LA 25-1,0, hot-dip galvanized	A	659,-	89,-	748,-

Loading Arm Type LAT	Category	Price	Freight charges	Price including freight charges
LAT 25-1,0, painted	A	740,-	89,-	829,-
LAT 25-1,0, hot-dip galvanized	A	809,-	89,-	898,-

Scissor Gripper Type LG	Category	Price	Freight charges	Price including freight charges
LG 60, painted	B	236,-	50,-	286,-
LG 60, galvanized	B	215,-	50,-	265,-
LG 200, painted	B	236,-	50,-	286,-
LG 200, galvanized	B	215,-	50,-	265,-

Container for Long Material Type LGK	Category	Price	Freight charges	Price including freight charges
<b>LGK, painted</b>	A	1329,-	124,-	1453,-
Castor Set, polyamide, Load capacity 1350 kg / castor set	A	185,-	15,-	200,-

Prices in EUR, valid EXW DE-46354 Südlohn, DE-38820 Halberstadt, unpacked  
Freight charges valid CPT Poland, islands and oversea territories excluded

# Price List 0424 en-PL

## Forklift Truck Attachments



Container for Long Material Type LGK	Category	Price	Freight charges	Price including freight charges
LGK, hot-dip galvanized	A	1619,-	124,-	1743,-
Castor Set, polyamide, Load capacity 1350 kg / castor set	A	185,-	15,-	200,-

Long Material Carrier Type LGT	Category	Price	Freight charges	Price including freight charges
LGT 1,5, painted	A	1863,-	175,-	2038,-
LGT 1,5, hot-dip galvanized	A	2186,-	175,-	2361,-
LGT 2,5, painted	A	2090,-	on request	on request
LGT 2,5, hot-dip galvanized	A	2502,-	on request	on request
LGT 3,5, painted	A	2887,-	on request	on request
LGT 3,5, hot-dip galvanized	A	3545,-	on request	on request
LGT 4,5, painted	A	3190,-	on request	on request
LGT 4,5, hot-dip galvanized	A	3933,-	on request	on request

Drum Claw Type LGZ	Category	Price	Freight charges	Price including freight charges
LGZ 60, painted	B	217,-	50,-	267,-
LGZ 60, galvanized	B	203,-	50,-	253,-
LGZ 200, painted	B	217,-	50,-	267,-
LGZ 200, galvanized	B	203,-	50,-	253,-

Crane Hook Type LH	Category	Price	Freight charges	Price including freight charges
LH-I 1,0, painted	A	192,-	50,-	242,-
LH-I 1,0, hot-dip galvanized	A	215,-	50,-	265,-
LH-I 1,5, painted	A	210,-	50,-	260,-
LH-I 1,5, hot-dip galvanized	A	233,-	50,-	283,-
LH-I 2,0, painted	A	221,-	50,-	271,-
LH-I 2,0, hot-dip galvanized	A	245,-	50,-	295,-
LH-I 2,5, painted	A	246,-	50,-	296,-
LH-I 2,5, hot-dip galvanized	A	269,-	50,-	319,-
LH-I 3,0, painted	A	319,-	50,-	369,-
LH-I 3,0, hot-dip galvanized	A	343,-	50,-	393,-
LH-II 1,5, painted	A	317,-	50,-	367,-
LH-II 1,5, hot-dip galvanized	A	365,-	50,-	415,-
LH-II 2,5, painted	A	419,-	50,-	469,-
LH-II 2,5, hot-dip galvanized	A	498,-	50,-	548,-
LH-II 5,0, painted	A	695,-	89,-	784,-
LH-II 5,0, hot-dip galvanized	A	780,-	89,-	869,-
LH-II 7,5, painted	A	827,-	89,-	916,-
LH-II 7,5, hot-dip galvanized	A	916,-	89,-	1005,-

Long Load Handler Type LSL	Category	Price	Freight charges	Price including freight charges
LSL, painted	A	1102,-	124,-	1226,-
LSL, hot-dip galvanized	A	1265,-	124,-	1389,-

Long Material Sidecar Type LSW	Category	Price	Freight charges	Price including freight charges
LSW 1,3, painted	A	920,-	89,-	1009,-

Prices in EUR, valid EXW DE-46354 Südlohn, DE-38820 Halberstadt, unpacked  
 Freight charges valid CPT Poland, islands and oversea territories excluded

# Price List 0424 en-PL

## Forklift Truck Attachments



Long Material Sidecar Type LSW	Category	Price	Freight charges	Price including freight charges
LSW 1,3, hot-dip galvanized	A	982,-	124,-	1106,-
LSW 2,5, painted	A	1093,-	89,-	1182,-
LSW 2,5, hot-dip galvanized	A	1156,-	124,-	1280,-
Access Safety Platform Type MB-B	Category	Price	Freight charges	Price including freight charges
MB-B, painted	A	1048,-	124,-	1172,-
Castor Set, polyamide, Load capacity 1050 kg / castor set	A	131,-	15,-	146,-
Access Safety Platform Type MB-B/L	Category	Price	Freight charges	Price including freight charges
MB-B/L, painted	A	1230,-	124,-	1354,-
Castor Set, polyamide, Load capacity 1050 kg / castor set	A	131,-	15,-	146,-
Access Safety Platform Type MB-D	Category	Price	Freight charges	Price including freight charges
MB-D, painted	A	877,-	124,-	1001,-
Castor Set, polyamide, Load capacity 1050 kg / castor set	A	131,-	15,-	146,-
Access Safety Platform Type MB-D/L	Category	Price	Freight charges	Price including freight charges
MB-D/L, painted	A	1058,-	124,-	1182,-
Castor Set, polyamide, Load capacity 1050 kg / castor set	A	131,-	15,-	146,-
Access Safety Platform Type MB-F	Category	Price	Freight charges	Price including freight charges
MB-F, painted	A	1037,-	124,-	1161,-
Castor Set, polyamide, Load capacity 1050 kg / castor set	A	131,-	15,-	146,-
Access Safety Platform Type MB-II	Category	Price	Freight charges	Price including freight charges
MB-II, painted	A	960,-	124,-	1084,-
Castor Set, polyamide, Load capacity 1050 kg / castor set	A	131,-	15,-	146,-
MB-II, hot-dip galvanized	A	1131,-	124,-	1255,-
Castor Set, polyamide, Load capacity 1050 kg / castor set	A	131,-	15,-	146,-
Access Safety Platform Type MB-K-IV	Category	Price	Freight charges	Price including freight charges
MB-K-IV, painted	A	1943,-	174,-	2117,-
Access Safety Platform Type MB-ST	Category	Price	Freight charges	Price including freight charges
MB-ST, painted	A	2488,-	124,-	2612,-
Castor Set, polyamide, Load capacity 1050 kg / castor set	A	131,-	15,-	146,-
Access Safety Platform Type MB-ST/L	Category	Price	Freight charges	Price including freight charges
MB-ST/L, painted	A	2670,-	124,-	2794,-
Castor Set, polyamide, Load capacity 1050 kg / castor set	A	131,-	15,-	146,-
Access Safety Platform Type MB-ST/T	Category	Price	Freight charges	Price including freight charges
MB-ST/T, painted	A	2804,-	124,-	2928,-
Castor Set, polyamide, Load capacity 1050 kg / castor set	A	131,-	15,-	146,-

Prices in EUR, valid EXW DE-46354 Südlohn, DE-38820 Halberstadt, unpacked  
Freight charges valid CPT Poland, islands and oversea territories excluded

# Price List 0424 en-PL

## Forklift Truck Attachments



Access Safety Platform Type MB-ST/T/L	Category	Price	Freight charges	Price including freight charges
<b>MB-ST/T/L, painted</b>	A	2987,-	124,-	3111,-
Castor Set, polyamide, Load capacity 1050 kg / castor set	A	131,-	15,-	146,-

Mini Tilting Container Type MGU	Category	Price	Freight charges	Price including freight charges
<b>MGU 230, painted</b>	A	549,-	89,-	638,-
Lid, galvanized	A	126,-	18,-	144,-
Castor Set, polyamide, Load capacity 1050 kg / castor set	A	150,-	15,-	165,-
Skip Body Welded Oil and Watertight	A	75,-	0,-	75,-
<b>MGU 230, hot-dip galvanized</b>	A	632,-	124,-	756,-
Lid, galvanized	A	126,-	18,-	144,-
Castor Set, polyamide, Load capacity 1050 kg / castor set	A	150,-	15,-	165,-
Skip Body Welded Oil and Watertight	A	75,-	0,-	75,-
<b>MGU 270, painted</b>	A	600,-	124,-	724,-
Lid, galvanized	A	126,-	18,-	144,-
Castor Set, polyamide, Load capacity 1050 kg / castor set	A	150,-	15,-	165,-
Skip Body Welded Oil and Watertight	A	75,-	0,-	75,-
<b>MGU 270, hot-dip galvanized</b>	A	704,-	124,-	828,-
Lid, galvanized	A	126,-	18,-	144,-
Castor Set, polyamide, Load capacity 1050 kg / castor set	A	150,-	15,-	165,-
Skip Body Welded Oil and Watertight	A	75,-	0,-	75,-
<b>MGU 460, painted</b>	A	787,-	124,-	911,-
Lid, galvanized	A	163,-	22,-	185,-
Castor Set, polyamide, Load capacity 1050 kg / castor set	A	150,-	15,-	165,-
Skip Body Welded Oil and Watertight	A	75,-	0,-	75,-
<b>MGU 460, hot-dip galvanized</b>	A	934,-	124,-	1058,-
Lid, galvanized	A	163,-	22,-	185,-
Castor Set, polyamide, Load capacity 1050 kg / castor set	A	150,-	15,-	165,-
Skip Body Welded Oil and Watertight	A	75,-	0,-	75,-
<b>MGU 610, painted</b>	A	887,-	124,-	1011,-
Lid, galvanized	A	174,-	26,-	200,-
Castor Set, polyamide, Load capacity 1050 kg / castor set	A	150,-	15,-	165,-
Skip Body Welded Oil and Watertight	A	75,-	0,-	75,-
<b>MGU 610, hot-dip galvanized</b>	A	1052,-	124,-	1176,-
Lid, galvanized	A	174,-	26,-	200,-
Castor Set, polyamide, Load capacity 1050 kg / castor set	A	150,-	15,-	165,-
Skip Body Welded Oil and Watertight	A	75,-	0,-	75,-

Wheelie Bin Jack Type MH	Category	Price	Freight charges	Price including freight charges
<b>MH-I, painted</b>	A	634,-	89,-	723,-
<b>MH-II, painted</b>	A	700,-	89,-	789,-
<b>MH-III, painted</b>	A	757,-	89,-	846,-

Wheelie Bin Tipper Type MK	Category	Price	Freight charges	Price including freight charges
<b>MK 120, painted</b>	A	1229,-	89,-	1318,-
<b>MK 240, painted</b>	A	1229,-	89,-	1318,-

Prices in EUR, valid EXW DE-46354 Südlohn, DE-38820 Halberstadt, unpacked  
 Freight charges valid CPT Poland, islands and oversea territories excluded

# Price List 0424 en-PL

## Forklift Truck Attachments



Wheeler Bin Tipper Type MK-H	Category	Price	Freight charges	Price including freight charges
MK-H 120, painted	A	1837,-	89,-	1926,-
MK-H 240, painted	A	1837,-	124,-	1961,-

Mini Container With Drop Away Base Type MSB	Category	Price	Freight charges	Price including freight charges
<b>MSB 150, painted</b>	A	614,-	89,-	703,-
Castor Set, polyamide, Load capacity 1050 kg / castor set	A	150,-	15,-	165,-
Guiding Plates, galvanized	A	70,-	12,-	82,-
<b>MSB 150, hot-dip galvanized</b>	A	720,-	89,-	809,-
Castor Set, polyamide, Load capacity 1050 kg / castor set	A	150,-	15,-	165,-
Guiding Plates, galvanized	A	70,-	12,-	82,-
<b>MSB 250, painted</b>	A	666,-	89,-	755,-
Castor Set, polyamide, Load capacity 1050 kg / castor set	A	150,-	15,-	165,-
Guiding Plates, galvanized	A	70,-	12,-	82,-
<b>MSB 250, hot-dip galvanized</b>	A	798,-	89,-	887,-
Castor Set, polyamide, Load capacity 1050 kg / castor set	A	150,-	15,-	165,-
Guiding Plates, galvanized	A	70,-	12,-	82,-
<b>MSB 400, painted</b>	A	821,-	124,-	945,-
Castor Set, polyamide, Load capacity 1050 kg / castor set	A	150,-	15,-	165,-
Guiding Plates, galvanized	A	70,-	12,-	82,-
<b>MSB 400, hot-dip galvanized</b>	A	983,-	124,-	1107,-
Castor Set, polyamide, Load capacity 1050 kg / castor set	A	150,-	15,-	165,-
Guiding Plates, galvanized	A	70,-	12,-	82,-

Tilting Container Type NK	Category	Price	Freight charges	Price including freight charges
<b>NK 30, painted</b>	A	676,-	124,-	800,-
Lid, galvanized	A	94,-	15,-	109,-
Castor Set, polyamide, Load capacity 1350 kg / castor set	A	185,-	15,-	200,-
Skip Body Welded Oil and Watertight	A	75,-	0,-	75,-
<b>NK 30, hot-dip galvanized</b>	A	950,-	124,-	1074,-
Lid, galvanized	A	94,-	15,-	109,-
Castor Set, polyamide, Load capacity 1350 kg / castor set	A	185,-	15,-	200,-
Skip Body Welded Oil and Watertight	A	75,-	0,-	75,-
<b>NK 50, painted</b>	A	950,-	124,-	1074,-
Lid, galvanized	A	94,-	18,-	112,-
Castor Set, polyamide, Load capacity 1350 kg / castor set	A	185,-	15,-	200,-
Skip Body Welded Oil and Watertight	A	75,-	0,-	75,-
<b>NK 50, hot-dip galvanized</b>	A	1282,-	124,-	1406,-
Lid, galvanized	A	94,-	18,-	112,-
Castor Set, polyamide, Load capacity 1350 kg / castor set	A	185,-	15,-	200,-
Skip Body Welded Oil and Watertight	A	75,-	0,-	75,-
<b>NK 75, painted</b>	A	1077,-	175,-	1252,-
Lid, galvanized	A	137,-	22,-	159,-
Castor Set, polyamide, Load capacity 1350 kg / castor set	A	185,-	15,-	200,-
Skip Body Welded Oil and Watertight	A	75,-	0,-	75,-
<b>NK 75, hot-dip galvanized</b>	A	1684,-	175,-	1859,-

Prices in EUR, valid EXW DE-46354 Südlohn, DE-38820 Halberstadt, unpacked  
Freight charges valid CPT Poland, islands and oversea territories excluded



# Price List 0424 en-PL

## Forklift Truck Attachments



Tilting Container Type NK	Category	Price	Freight charges	Price including freight charges
Lid, galvanized	A	137,-	22,-	159,-
Castor Set, polyamide, Load capacity 1350 kg / castor set	A	185,-	15,-	200,-
Skip Body Welded Oil and Watertight	A	75,-	0,-	75,-
<b>NK 100, painted</b>	A	1457,-	175,-	1632,-
Lid, galvanized	A	167,-	27,-	194,-
Castor Set, polyamide, Load capacity 1350 kg / castor set	A	185,-	15,-	200,-
Skip Body Welded Oil and Watertight	A	116,-	0,-	116,-
<b>NK 100, hot-dip galvanized</b>	A	2000,-	175,-	2175,-
Lid, galvanized	A	167,-	27,-	194,-
Castor Set, polyamide, Load capacity 1350 kg / castor set	A	185,-	15,-	200,-
Skip Body Welded Oil and Watertight	A	116,-	0,-	116,-
Cylindrical Container Type RB	Category	Price	Freight charges	Price including freight charges
<b>RB 300, painted</b>	A	656,-	89,-	745,-
Lid, aluminium	A	154,-	14,-	168,-
Castor Set, polyamide, Load capacity 1050 kg / castor set	A	150,-	15,-	165,-
<b>RB 300, hot-dip galvanized</b>	A	763,-	89,-	852,-
Lid, aluminium	A	154,-	14,-	168,-
Castor Set, polyamide, Load capacity 1050 kg / castor set	A	150,-	15,-	165,-
<b>RB 450, painted</b>	A	766,-	89,-	855,-
Lid, aluminium	A	154,-	14,-	168,-
Castor Set, polyamide, Load capacity 1050 kg / castor set	A	150,-	15,-	165,-
<b>RB 450, hot-dip galvanized</b>	A	895,-	89,-	984,-
Lid, aluminium	A	154,-	14,-	168,-
Castor Set, polyamide, Load capacity 1050 kg / castor set	A	150,-	15,-	165,-
Tilting Container Type RD	Category	Price	Freight charges	Price including freight charges
<b>RD 750, painted</b>	A	1161,-	175,-	1336,-
Castor Set, polyamide, Load capacity 1350 kg / castor set	A	185,-	15,-	200,-
Skip Body Welded Oil and Watertight	A	75,-	0,-	75,-
<b>RD 750, hot-dip galvanized</b>	A	1547,-	175,-	1722,-
Castor Set, polyamide, Load capacity 1350 kg / castor set	A	185,-	15,-	200,-
Skip Body Welded Oil and Watertight	A	75,-	0,-	75,-
<b>RD 1000, painted</b>	A	1400,-	175,-	1575,-
Castor Set, polyamide, Load capacity 1350 kg / castor set	A	185,-	15,-	200,-
Skip Body Welded Oil and Watertight	A	116,-	0,-	116,-
<b>RD 1000, hot-dip galvanized</b>	A	1867,-	175,-	2042,-
Castor Set, polyamide, Load capacity 1350 kg / castor set	A	185,-	15,-	200,-
Skip Body Welded Oil and Watertight	A	116,-	0,-	116,-
Platform for Off-Cuts Type RGP	Category	Price	Freight charges	Price including freight charges
<b>RGP-1, painted</b>	A	2354,-	on request	on request
<b>RGP-1, hot-dip galvanized</b>	A	3012,-	on request	on request
<b>RGP-2, painted</b>	A	2578,-	on request	on request
<b>RGP-2, hot-dip galvanized</b>	A	3437,-	on request	on request

Prices in EUR, valid EXW DE-46354 Südlohn, DE-38820 Halberstadt, unpacked  
Freight charges valid CPT Poland, islands and oversea territories excluded

# Price List 0424 en-PL

## Forklift Truck Attachments



Platform for Off-Cuts Type RGP	Category	Price	Freight charges	Price including freight charges
RGP-3, painted	A	2808,-	on request	on request
RGP-3, hot-dip galvanized	A	3783,-	on request	on request
Shunting Aid Type RH	Category	Price	Freight charges	Price including freight charges
RH, painted	A	411,-	50,-	461,-
Shunting Aid Type RH-AC	Category	Price	Freight charges	Price including freight charges
RH-AC, painted	A	2227,-	175,-	2402,-
Shunting Aid Type RH-RA	Category	Price	Freight charges	Price including freight charges
RH-RA, painted	A	1532,-	89,-	1621,-
Shunting Aid Type RH-RAK	Category	Price	Freight charges	Price including freight charges
RH-RAK, painted	A	1633,-	89,-	1722,-
Shunting Aid Type RH-RM	Category	Price	Freight charges	Price including freight charges
RH-RM, painted	A	1138,-	89,-	1227,-
Shunting Aid Type RH-RMK	Category	Price	Freight charges	Price including freight charges
RH-RMK, painted	A	1241,-	89,-	1330,-
Drum Lifter Type RS 60	Category	Price	Freight charges	Price including freight charges
RS 60-I, painted	B	978,-	89,-	1067,-
RS 60-I, hot-dip galvanized	B	1039,-	89,-	1128,-
RS 60-II, painted	B	1655,-	89,-	1744,-
RS 60-II, hot-dip galvanized	B	1737,-	89,-	1826,-
Drum Lifter Type RS	Category	Price	Freight charges	Price including freight charges
RS-I/91, painted	B	1643,-	124,-	1767,-
RS-I/91, hot-dip galvanized	B	1879,-	124,-	2003,-
RS-II/91, painted	B	2848,-	124,-	2972,-
RS-II/91, hot-dip galvanized	B	3207,-	124,-	3331,-
RS-I/M, painted	B	1503,-	89,-	1592,-
RS-I/M, hot-dip galvanized	B	1737,-	124,-	1861,-
RS-II/M, painted	B	2572,-	124,-	2696,-
RS-II/M, hot-dip galvanized	B	2927,-	124,-	3051,-
Drum Lifter Type RS/D 91	Category	Price	Freight charges	Price including freight charges
RS-I/D 91, painted	B	1437,-	124,-	1561,-
RS-I/D 91, hot-dip galvanized	B	1671,-	124,-	1795,-
RS-II/D 91, painted	B	2435,-	124,-	2559,-
RS-II/D 91, hot-dip galvanized	B	2789,-	124,-	2913,-

Prices in EUR, valid EXW DE-46354 Südlohn, DE-38820 Halberstadt, unpacked  
Freight charges valid CPT Poland, islands and oversea territories excluded

# Price List 0424 en-PL

## Forklift Truck Attachments



<b>Swarf Tilting Container Type S3S</b>	<b>Category</b>	<b>Price</b>	<b>Freight charges</b>	<b>Price including freight charges</b>
<b>S3S 300, painted</b>	A	1311,-	124,-	1435,-
Lid, galvanized	A	168,-	18,-	186,-
Castor Set, polyamide, Load capacity 1050 kg / castor set	A	131,-	15,-	146,-
<b>S3S 300, hot-dip galvanized</b>	A	1404,-	175,-	1579,-
Lid, galvanized	A	168,-	18,-	186,-
Castor Set, polyamide, Load capacity 1050 kg / castor set	A	131,-	15,-	146,-
<b>S3S 600, painted</b>	A	1365,-	175,-	1540,-
Lid, galvanized	A	189,-	22,-	211,-
Castor Set, polyamide, Load capacity 1050 kg / castor set	A	131,-	15,-	146,-
<b>S3S 600, hot-dip galvanized</b>	A	1462,-	175,-	1637,-
Lid, galvanized	A	189,-	22,-	211,-
Castor Set, polyamide, Load capacity 1050 kg / castor set	A	131,-	15,-	146,-
<b>Swarf Tilting Container Type S4A</b>	<b>Category</b>	<b>Price</b>	<b>Freight charges</b>	<b>Price including freight charges</b>
<b>S4A 600, painted</b>	A	1228,-	124,-	1352,-
Lid, galvanized	A	189,-	22,-	211,-
<b>S4A 600, hot-dip galvanized</b>	A	1370,-	124,-	1494,-
Lid, galvanized	A	189,-	22,-	211,-
<b>S4A 900, painted</b>	A	1360,-	175,-	1535,-
Lid, galvanized	A	215,-	27,-	242,-
<b>S4A 900, hot-dip galvanized</b>	A	1541,-	175,-	1716,-
Lid, galvanized	A	215,-	27,-	242,-
<b>S4A 1200, painted</b>	A	1446,-	175,-	1621,-
Lid, galvanized	A	215,-	26,-	241,-
<b>S4A 1200, hot-dip galvanized</b>	A	1671,-	175,-	1846,-
Lid, galvanized	A	215,-	26,-	241,-
<b>Container With Drop Away Base Type SB</b>	<b>Category</b>	<b>Price</b>	<b>Freight charges</b>	<b>Price including freight charges</b>
<b>SB 500, painted</b>	B	966,-	124,-	1090,-
Lid, galvanized	B	138,-	16,-	154,-
Castor Set, polyamide, Load capacity 1350 kg / castor set	A	185,-	15,-	200,-
Castor Set, polyamide, Load capacity 2550 kg / castor set	A	366,-	15,-	381,-
<b>SB 500, hot-dip galvanized</b>	B	1258,-	124,-	1382,-
Lid, galvanized	B	138,-	16,-	154,-
Castor Set, polyamide, Load capacity 1350 kg / castor set	A	185,-	15,-	200,-
Castor Set, polyamide, Load capacity 2550 kg / castor set	A	366,-	15,-	381,-
<b>SB 750, painted</b>	B	1057,-	124,-	1181,-
Lid, galvanized	B	138,-	16,-	154,-
Castor Set, polyamide, Load capacity 1350 kg / castor set	A	185,-	15,-	200,-
Castor Set, polyamide, Load capacity 2550 kg / castor set	A	366,-	15,-	381,-
<b>SB 750, hot-dip galvanized</b>	B	1468,-	175,-	1643,-
Lid, galvanized	B	138,-	16,-	154,-
Castor Set, polyamide, Load capacity 1350 kg / castor set	A	185,-	15,-	200,-
Castor Set, polyamide, Load capacity 2550 kg / castor set	A	366,-	15,-	381,-
<b>SB 1000, painted</b>	B	1251,-	175,-	1426,-

Prices in EUR, valid EXW DE-46354 Südlohn, DE-38820 Halberstadt, unpacked  
Freight charges valid CPT Poland, islands and oversea territories excluded

# Price List 0424 en-PL

## Forklift Truck Attachments



Container With Drop Away Base Type SB	Category	Price	Freight charges	Price including freight charges
Lid, galvanized	B	138,-	16,-	154,-
Castor Set, polyamide, Load capacity 1350 kg / castor set	A	185,-	15,-	200,-
Castor Set, polyamide, Load capacity 2550 kg / castor set	A	366,-	15,-	381,-
<b>SB 1000, hot-dip galvanized</b>	B	1740,-	175,-	1915,-
Lid, galvanized	B	138,-	16,-	154,-
Castor Set, polyamide, Load capacity 1350 kg / castor set	A	185,-	15,-	200,-
Castor Set, polyamide, Load capacity 2550 kg / castor set	A	366,-	15,-	381,-
<b>SB 1500, painted</b>	B	1695,-	175,-	1870,-
Lid, galvanized	B	245,-	21,-	266,-
Castor Set, polyamide, Load capacity 1350 kg / castor set	A	185,-	15,-	200,-
Castor Set, polyamide, Load capacity 2550 kg / castor set	A	366,-	15,-	381,-
<b>SB 1500, hot-dip galvanized</b>	B	2360,-	226,-	2586,-
Lid, galvanized	B	245,-	21,-	266,-
Castor Set, polyamide, Load capacity 1350 kg / castor set	A	185,-	15,-	200,-
Castor Set, polyamide, Load capacity 2550 kg / castor set	A	366,-	15,-	381,-
<b>SB 2000, painted</b>	B	1742,-	226,-	1968,-
Lid, galvanized	B	245,-	21,-	266,-
Castor Set, polyamide, Load capacity 1350 kg / castor set	A	185,-	15,-	200,-
Castor Set, polyamide, Load capacity 2550 kg / castor set	A	366,-	15,-	381,-
<b>SB 2000, hot-dip galvanized</b>	B	2493,-	226,-	2719,-
Lid, galvanized	B	245,-	21,-	266,-
Castor Set, polyamide, Load capacity 1350 kg / castor set	A	185,-	15,-	200,-
Castor Set, polyamide, Load capacity 2550 kg / castor set	A	366,-	15,-	381,-
Collecting System Type SBS	Category	Price	Freight charges	Price including freight charges
<b>SBS 500, painted</b>	C	385,-	124,-	509,-
Trolley TW 500, hot-dip galvanized	C	249,-	89,-	338,-
<b>SBS 500, hot-dip galvanized</b>	C	456,-	124,-	580,-
Trolley TW 500, hot-dip galvanized	C	249,-	89,-	338,-
<b>SBS 1000, painted</b>	C	491,-	124,-	615,-
Trolley TW 1000, hot-dip galvanized	C	286,-	89,-	375,-
<b>SBS 1000, hot-dip galvanized</b>	C	604,-	175,-	779,-
Trolley TW 1000, hot-dip galvanized	C	286,-	89,-	375,-
<b>SBS 2000, painted</b>	C	779,-	225,-	1004,-
Trolley TW 2000, hot-dip galvanized	C	487,-	89,-	576,-
<b>SBS 2000, hot-dip galvanized</b>	C	935,-	225,-	1160,-
Trolley TW 2000, hot-dip galvanized	C	487,-	89,-	576,-
Filling Hopper Type SBT	Category	Price	Freight charges	Price including freight charges
<b>SBT, painted</b>	A	1614,-	175,-	1789,-
Snowdozer Type SCH-F	Category	Price	Freight charges	Price including freight charges
<b>SCH-F 150, painted</b>	A	2157,-	175,-	2332,-
<b>SCH-F 180, painted</b>	A	2422,-	175,-	2597,-
<b>SCH-F 210, painted</b>	A	2722,-	175,-	2897,-

Prices in EUR, valid EXW DE-46354 Südlohn, DE-38820 Halberstadt, unpacked  
Freight charges valid CPT Poland, islands and oversea territories excluded

# Price List 0424 en-PL

## Forklift Truck Attachments



Snowdozer Type SCH-F	Category	Price	Freight charges	Price including freight charges
SCH-F 240, painted	A	2990,-	276,-	3266,-
Snowdozer Type SCH-G	Category	Price	Freight charges	Price including freight charges
SCH-G 150, painted	A	1530,-	124,-	1654,-
SCH-G 180, painted	A	1671,-	124,-	1795,-
SCH-G 210, painted	A	1930,-	175,-	2105,-
SCH-G 240, painted	A	2086,-	225,-	2311,-
Snowdozer Type SCH-L	Category	Price	Freight charges	Price including freight charges
SCH-L 1500, painted	A	1142,-	124,-	1266,-
SCH-L 1500, hot-dip galvanized	A	1265,-	124,-	1389,-
SCH-L 1800, painted	A	1333,-	124,-	1457,-
SCH-L 1800, hot-dip galvanized	A	1480,-	124,-	1604,-
Snow Plough Type SCH-P-G	Category	Price	Freight charges	Price including freight charges
SCH-P-G 150, painted	A	2408,-	175,-	2583,-
SCH-P-G 180, painted	A	2586,-	175,-	2761,-
SCH-P-G 210, painted	A	2772,-	175,-	2947,-
SCH-P-G 240, painted	A	3292,-	225,-	3517,-
Snow Plough Type SCH-P-S	Category	Price	Freight charges	Price including freight charges
SCH-P-S 150, painted	A	2239,-	175,-	2414,-
SCH-P-S 180, painted	A	2392,-	175,-	2567,-
SCH-P-S 210, painted	A	2540,-	175,-	2715,-
SCH-P-S 240, painted	A	3022,-	225,-	3247,-
Snow Plough Type SCH-P-V	Category	Price	Freight charges	Price including freight charges
SCH-P-V 150, painted	A	2590,-	175,-	2765,-
SCH-P-V 180, painted	A	2849,-	175,-	3024,-
SCH-P-V 210, painted	A	3091,-	175,-	3266,-
SCH-P-V 240, painted	A	3614,-	225,-	3839,-
Snowdozer Type SCH-S	Category	Price	Freight charges	Price including freight charges
SCH-S 150, painted	A	1359,-	124,-	1483,-
SCH-S 180, painted	A	1476,-	124,-	1600,-
SCH-S 210, painted	A	1700,-	175,-	1875,-
SCH-S 240, painted	A	1816,-	225,-	2041,-
Snow Plough Type SCH-U-G	Category	Price	Freight charges	Price including freight charges
SCH-U-G 150, painted	A	2408,-	175,-	2583,-
SCH-U-G 180, painted	A	2586,-	175,-	2761,-
SCH-U-G 210, painted	A	2772,-	175,-	2947,-
SCH-U-G 240, painted	A	3292,-	225,-	3517,-

Prices in EUR, valid EXW DE-46354 Südlohn, DE-38820 Halberstadt, unpacked  
Freight charges valid CPT Poland, islands and oversea territories excluded

# Price List 0424 en-PL

## Forklift Truck Attachments



Snow Plough Type SCH-U-S	Category	Price	Freight charges	Price including freight charges
SCH-U-S 150, painted	A	2239,-	175,-	2414,-
SCH-U-S 180, painted	A	2392,-	175,-	2567,-
SCH-U-S 210, painted	A	2540,-	175,-	2715,-
SCH-U-S 240, painted	A	3022,-	225,-	3247,-

Snow Plough Type SCH-U-V	Category	Price	Freight charges	Price including freight charges
SCH-U-V 150, painted	A	2590,-	175,-	2765,-
SCH-U-V 180, painted	A	2849,-	175,-	3024,-
SCH-U-V 210, painted	A	3091,-	175,-	3266,-
SCH-U-V 240, painted	A	3614,-	225,-	3839,-

Snowdozer Type SCH-V	Category	Price	Freight charges	Price including freight charges
SCH-V 150, painted	A	1709,-	124,-	1833,-
SCH-V 180, painted	A	1923,-	124,-	2047,-
SCH-V 210, painted	A	2252,-	175,-	2427,-
SCH-V 240, painted	A	2407,-	225,-	2632,-

Silo Container Type SG	Category	Price	Freight charges	Price including freight charges
SG 375, painted	E	979,-	124,-	1103,-
Lid, galvanized	E	126,-	28,-	154,-
SG 375, hot-dip galvanized	E	1700,-	124,-	1824,-
Lid, galvanized	E	126,-	28,-	154,-
SG 600, painted	E	1168,-	124,-	1292,-
Lid, galvanized	E	126,-	28,-	154,-
SG 600, hot-dip galvanized	E	1885,-	124,-	2009,-
Lid, galvanized	E	126,-	28,-	154,-

Silo Container Type SG-D	Category	Price	Freight charges	Price including freight charges
SG-D 375, painted	E	979,-	89,-	1068,-
Lid, galvanized	E	126,-	28,-	154,-
SG-D 375, hot-dip galvanized	E	1700,-	124,-	1824,-
Lid, galvanized	E	126,-	28,-	154,-
SG-D 600, painted	E	1168,-	124,-	1292,-
Lid, galvanized	E	126,-	28,-	154,-
SG-D 600, hot-dip galvanized	E	1885,-	124,-	2009,-
Lid, galvanized	E	126,-	28,-	154,-

Silo Container Type SGK	Category	Price	Freight charges	Price including freight charges
SGK 50, painted	A	1077,-	124,-	1201,-
SGK 50, hot-dip galvanized	A	1103,-	124,-	1227,-
SGK 75, painted	A	1172,-	124,-	1296,-
SGK 75, hot-dip galvanized	A	1208,-	124,-	1332,-
SGK 100, painted	A	1282,-	124,-	1406,-
SGK 100, hot-dip galvanized	A	1320,-	124,-	1444,-

Prices in EUR, valid EXW DE-46354 Südlohn, DE-38820 Halberstadt, unpacked  
Freight charges valid CPT Poland, islands and oversea territories excluded

# Price List 0424 en-PL

## Forklift Truck Attachments



Silo Container Type SGS	Category	Price	Freight charges	Price including freight charges
SGS 50, painted	A	855,-	89,-	944,-
SGS 50, hot-dip galvanized	A	871,-	124,-	995,-
SGS 75, painted	A	948,-	124,-	1072,-
SGS 75, hot-dip galvanized	A	980,-	124,-	1104,-
SGS 100, painted	A	1041,-	124,-	1165,-
SGS 100, hot-dip galvanized	A	1072,-	124,-	1196,-
Swarf Tilting Container Type SGU	Category	Price	Freight charges	Price including freight charges
<b>SGU 30, painted</b>	A	908,-	124,-	1032,-
Lid, galvanized	A	94,-	18,-	112,-
Castor Set, polyamide, Load capacity 1350 kg / castor set	A	185,-	15,-	200,-
Crane lifting eyes for use with a crane	A	102,-	8,-	110,-
Support legs, 100 mm ground leeway	A	67,-	8,-	75,-
<b>SGU 30, hot-dip galvanized</b>	A	1079,-	124,-	1203,-
Lid, galvanized	A	94,-	18,-	112,-
Castor Set, polyamide, Load capacity 1350 kg / castor set	A	185,-	15,-	200,-
Crane lifting eyes for use with a crane	A	102,-	8,-	110,-
Support legs, 100 mm ground leeway	A	67,-	8,-	75,-
<b>SGU 50, painted</b>	A	1123,-	124,-	1247,-
Lid, galvanized	A	94,-	18,-	112,-
Castor Set, polyamide, Load capacity 1350 kg / castor set	A	185,-	15,-	200,-
Adjustable dumping brake	A	448,-	10,-	458,-
Crane lifting eyes for use with a crane	A	102,-	8,-	110,-
Support legs, 100 mm ground leeway	A	67,-	8,-	75,-
<b>SGU 50, hot-dip galvanized</b>	A	1359,-	124,-	1483,-
Lid, galvanized	A	94,-	18,-	112,-
Castor Set, polyamide, Load capacity 1350 kg / castor set	A	185,-	15,-	200,-
Adjustable dumping brake	A	448,-	10,-	458,-
Crane lifting eyes for use with a crane	A	102,-	8,-	110,-
Support legs, 100 mm ground leeway	A	67,-	8,-	75,-
<b>SGU 75, painted</b>	A	1267,-	124,-	1391,-
Lid, galvanized	A	134,-	26,-	160,-
Castor Set, polyamide, Load capacity 1350 kg / castor set	A	185,-	15,-	200,-
Adjustable dumping brake	A	448,-	10,-	458,-
Crane lifting eyes for use with a crane	A	102,-	8,-	110,-
Support legs, 100 mm ground leeway	A	67,-	8,-	75,-
<b>SGU 75, hot-dip galvanized</b>	A	1568,-	124,-	1692,-
Lid, galvanized	A	134,-	26,-	160,-
Castor Set, polyamide, Load capacity 1350 kg / castor set	A	185,-	15,-	200,-
Adjustable dumping brake	A	448,-	10,-	458,-
Crane lifting eyes for use with a crane	A	102,-	8,-	110,-
Support legs, 100 mm ground leeway	A	67,-	8,-	75,-
<b>SGU 100, painted</b>	A	1517,-	175,-	1692,-
Lid, galvanized	A	185,-	27,-	212,-
Castor Set, polyamide, Load capacity 1350 kg / castor set	A	185,-	15,-	200,-
Adjustable dumping brake	A	448,-	10,-	458,-

Prices in EUR, valid EXW DE-46354 Südlohn, DE-38820 Halberstadt, unpacked  
Freight charges valid CPT Poland, islands and oversea territories excluded

# Price List 0424 en-PL

## Forklift Truck Attachments



<b>Swarf Tilting Container Type SGU</b>	<b>Category</b>	<b>Price</b>	<b>Freight charges</b>	<b>Price including freight charges</b>
Crane lifting eyes for use with a crane	A	102,-	8,-	110,-
Support legs, 100 mm ground leeway	A	67,-	8,-	75,-
<b>SGU 100, hot-dip galvanized</b>	A	2048,-	175,-	2223,-
Lid, galvanized	A	185,-	27,-	212,-
Castor Set, polyamide, Load capacity 1350 kg / castor set	A	185,-	15,-	200,-
Adjustable dumping brake	A	448,-	10,-	458,-
Crane lifting eyes for use with a crane	A	102,-	8,-	110,-
Support legs, 100 mm ground leeway	A	67,-	8,-	75,-
<b>SGU 150, painted</b>	A	1704,-	175,-	1879,-
Lid, galvanized	A	185,-	27,-	212,-
Castor Set, polyamide, Load capacity 1350 kg / castor set	A	185,-	15,-	200,-
Adjustable dumping brake	A	448,-	10,-	458,-
Crane lifting eyes for use with a crane	A	102,-	8,-	110,-
Support legs, 100 mm ground leeway	A	67,-	8,-	75,-
<b>SGU 150, hot-dip galvanized</b>	A	2166,-	175,-	2341,-
Lid, galvanized	A	185,-	27,-	212,-
Castor Set, polyamide, Load capacity 1350 kg / castor set	A	185,-	15,-	200,-
Adjustable dumping brake	A	448,-	10,-	458,-
Crane lifting eyes for use with a crane	A	102,-	8,-	110,-
Support legs, 100 mm ground leeway	A	67,-	8,-	75,-
<b>SGU 200, painted</b>	A	2140,-	226,-	2366,-
Lid, galvanized	A	218,-	32,-	250,-
Castor Set, polyamide, Load capacity 1350 kg / castor set	A	185,-	15,-	200,-
Adjustable dumping brake	A	448,-	10,-	458,-
Crane lifting eyes for use with a crane	A	102,-	8,-	110,-
Support legs, 100 mm ground leeway	A	67,-	8,-	75,-
<b>SGU 200, hot-dip galvanized</b>	A	2685,-	226,-	2911,-
Castor Set, polyamide, Load capacity 1350 kg / castor set	A	185,-	15,-	200,-
Lid, galvanized	A	218,-	32,-	250,-
Adjustable dumping brake	A	448,-	10,-	458,-
Crane lifting eyes for use with a crane	A	102,-	8,-	110,-
Support legs, 100 mm ground leeway	A	67,-	8,-	75,-
<b>Swarf Tilting Container Type SGU-RZ</b>	<b>Category</b>	<b>Price</b>	<b>Freight charges</b>	<b>Price including freight charges</b>
<b>SGU-RZ 30, painted</b>	A	939,-	124,-	1063,-
Lid, galvanized	A	91,-	18,-	109,-
<b>SGU-RZ 30, hot-dip galvanized</b>	A	1059,-	124,-	1183,-
Lid, galvanized	A	91,-	18,-	109,-
<b>SGU-RZ 55, painted</b>	A	1161,-	124,-	1285,-
Lid, galvanized	A	91,-	18,-	109,-
<b>SGU-RZ 55, hot-dip galvanized</b>	A	1269,-	124,-	1393,-
Lid, galvanized	A	91,-	18,-	109,-
<b>Gritter Type SH</b>	<b>Category</b>	<b>Price</b>	<b>Freight charges</b>	<b>Price including freight charges</b>
<b>SH, painted</b>	A	3448,-	124,-	3572,-

Prices in EUR, valid EXW DE-46354 Südlohn, DE-38820 Halberstadt, unpacked  
Freight charges valid CPT Poland, islands and oversea territories excluded



# Price List 0424 en-PL

## Forklift Truck Attachments



<b>Gritter Type SH</b>	<b>Category</b>	<b>Price</b>	<b>Freight charges</b>	<b>Price including freight charges</b>
Tarpaulin	A	117,-	10,-	127,-
<b>Forklift Safety Cage Type SIKO</b>	<b>Category</b>	<b>Price</b>	<b>Freight charges</b>	<b>Price including freight charges</b>
<b>SIKO, painted</b>	A	701,-	89,-	790,-
Castor Set, polyamide, Load capacity 1050 kg / castor set	A	131,-	15,-	146,-
<b>Forklift Safety Cage Type SIKO/L</b>	<b>Category</b>	<b>Price</b>	<b>Freight charges</b>	<b>Price including freight charges</b>
<b>SIKO/L, painted</b>	A	848,-	89,-	937,-
Castor Set, polyamide, Load capacity 1050 kg / castor set	A	131,-	15,-	146,-
<b>Forklift Safety Cage Type SIKO-G</b>	<b>Category</b>	<b>Price</b>	<b>Freight charges</b>	<b>Price including freight charges</b>
<b>SIKO-G, painted</b>	A	634,-	89,-	723,-
<b>Forklift Safety Cage Type SIKO-M</b>	<b>Category</b>	<b>Price</b>	<b>Freight charges</b>	<b>Price including freight charges</b>
<b>SIKO-M, painted</b>	A	511,-	89,-	600,-
<b>Heavy Duty Tilting Container Type SK</b>	<b>Category</b>	<b>Price</b>	<b>Freight charges</b>	<b>Price including freight charges</b>
<b>SK 300, painted</b>	A	1237,-	175,-	1412,-
Lid, galvanized	A	168,-	18,-	186,-
Castor Set, polyamide, Load capacity 2550 kg / castor set	A	366,-	15,-	381,-
Skip Body Welded Oil and Watertight	A	75,-	0,-	75,-
<b>SK 300, hot-dip galvanized</b>	A	1502,-	175,-	1677,-
Lid, galvanized	A	168,-	18,-	186,-
Castor Set, polyamide, Load capacity 2550 kg / castor set	A	366,-	15,-	381,-
Skip Body Welded Oil and Watertight	A	75,-	0,-	75,-
<b>SK 600, painted</b>	A	1339,-	175,-	1514,-
Lid, galvanized	A	189,-	22,-	211,-
Castor Set, polyamide, Load capacity 2550 kg / castor set	A	366,-	15,-	381,-
Skip Body Welded Oil and Watertight	A	75,-	0,-	75,-
<b>SK 600, hot-dip galvanized</b>	A	1665,-	226,-	1891,-
Lid, galvanized	A	189,-	22,-	211,-
Castor Set, polyamide, Load capacity 2550 kg / castor set	A	366,-	15,-	381,-
Skip Body Welded Oil and Watertight	A	75,-	0,-	75,-
<b>SK 900, painted</b>	A	1458,-	226,-	1684,-
Lid, galvanized	A	215,-	27,-	242,-
Castor Set, polyamide, Load capacity 2550 kg / castor set	A	366,-	15,-	381,-
Skip Body Welded Oil and Watertight	A	75,-	0,-	75,-
<b>SK 900, hot-dip galvanized</b>	A	1875,-	226,-	2101,-
Lid, galvanized	A	215,-	27,-	242,-
Castor Set, polyamide, Load capacity 2550 kg / castor set	A	366,-	15,-	381,-
Skip Body Welded Oil and Watertight	A	75,-	0,-	75,-
<b>SK 1200, painted</b>	A	1710,-	226,-	1936,-
Lid, galvanized	A	215,-	26,-	241,-
Castor Set, polyamide, Load capacity 2550 kg / castor set	A	366,-	15,-	381,-
Skip Body Welded Oil and Watertight	A	116,-	0,-	116,-

Prices in EUR, valid EXW DE-46354 Südlohn, DE-38820 Halberstadt, unpacked  
Freight charges valid CPT Poland, islands and oversea territories excluded

# Price List 0424 en-PL

## Forklift Truck Attachments



Heavy Duty Tilting Container Type SK	Category	Price	Freight charges	Price including freight charges
<b>SK 1200, hot-dip galvanized</b>	A	2200,-	298,-	2498,-
Lid, galvanized	A	215,-	26,-	241,-
Castor Set, polyamide, Load capacity 2550 kg / castor set	A	366,-	15,-	381,-
Skip Body Welded Oil and Watertight	A	116,-	0,-	116,-
<b>SK 1700, painted</b>	A	1799,-	298,-	2097,-
Lid, galvanized	A	266,-	33,-	299,-
Castor Set, polyamide, Load capacity 2550 kg / castor set	A	366,-	15,-	381,-
Skip Body Welded Oil and Watertight	A	116,-	0,-	116,-
<b>SK 1700, hot-dip galvanized</b>	A	2407,-	298,-	2705,-
Lid, galvanized	A	266,-	33,-	299,-
Castor Set, polyamide, Load capacity 2550 kg / castor set	A	366,-	15,-	381,-
Skip Body Welded Oil and Watertight	A	116,-	0,-	116,-
<b>SK 2100, painted</b>	A	1963,-	298,-	2261,-
Lid, galvanized	A	347,-	36,-	383,-
Castor Set, polyamide, Load capacity 2550 kg / castor set	A	366,-	15,-	381,-
Skip Body Welded Oil and Watertight	A	116,-	0,-	116,-
<b>SK 2100, hot-dip galvanized</b>	A	2646,-	298,-	2944,-
Lid, galvanized	A	347,-	36,-	383,-
Castor Set, polyamide, Load capacity 2550 kg / castor set	A	366,-	15,-	381,-
Skip Body Welded Oil and Watertight	A	116,-	0,-	116,-
<b>Broom Type SKB</b>	<b>Category</b>	<b>Price</b>	<b>Freight charges</b>	<b>Price including freight charges</b>
<b>SKB 100, painted</b>	A	925,-	89,-	1014,-
<b>SKB 150, painted</b>	A	1156,-	89,-	1245,-
<b>SKB 200, painted</b>	A	1425,-	89,-	1514,-
<b>Broom Type SKB-0</b>	<b>Category</b>	<b>Price</b>	<b>Freight charges</b>	<b>Price including freight charges</b>
<b>SKB-0 100, painted</b>	A	635,-	89,-	724,-
<b>SKB-0 150, painted</b>	A	867,-	89,-	956,-
<b>SKB-0 200, painted</b>	A	1136,-	89,-	1225,-
<b>Swarf Tipping Skip Type SKK</b>	<b>Category</b>	<b>Price</b>	<b>Freight charges</b>	<b>Price including freight charges</b>
<b>SKK 250, painted</b>	E	515,-	89,-	604,-
Lid, galvanized	E	131,-	15,-	146,-
Castor Set, polyamide, Load capacity 1050 kg / castor set	A	131,-	15,-	146,-
Castor Set, solid rubber, Load capacity 615 kg / castor set	E	99,-	15,-	114,-
<b>SKK 250, hot-dip galvanized</b>	E	563,-	89,-	652,-
Lid, galvanized	E	131,-	15,-	146,-
Castor Set, polyamide, Load capacity 1050 kg / castor set	A	131,-	15,-	146,-
Castor Set, solid rubber, Load capacity 615 kg / castor set	E	99,-	15,-	114,-
<b>SKK 400, painted</b>	E	579,-	89,-	668,-
Lid, galvanized	E	150,-	16,-	166,-
Castor Set, polyamide, Load capacity 1050 kg / castor set	A	131,-	15,-	146,-
Castor Set, solid rubber, Load capacity 615 kg / castor set	E	99,-	15,-	114,-
<b>SKK 400, hot-dip galvanized</b>	E	627,-	89,-	716,-

Prices in EUR, valid EXW DE-46354 Südlohn, DE-38820 Halberstadt, unpacked  
Freight charges valid CPT Poland, islands and oversea territories excluded

# Price List 0424 en-PL

## Forklift Truck Attachments



<b>Swarf Tipping Skip Type SKK</b>	<b>Category</b>	<b>Price</b>	<b>Freight charges</b>	<b>Price including freight charges</b>
Lid, galvanized	E	150,-	16,-	166,-
Castor Set, polyamide, Load capacity 1050 kg / castor set	A	131,-	15,-	146,-
Castor Set, solid rubber, Load capacity 615 kg / castor set	E	99,-	15,-	114,-
<b>SKK 600, painted</b>	E	787,-	124,-	911,-
Lid, galvanized	E	167,-	20,-	187,-
Castor Set, polyamide, Load capacity 1050 kg / castor set	A	131,-	15,-	146,-
Castor Set, solid rubber, Load capacity 615 kg / castor set	E	99,-	15,-	114,-
<b>SKK 600, hot-dip galvanized</b>	E	883,-	124,-	1007,-
Lid, galvanized	E	167,-	20,-	187,-
Castor Set, polyamide, Load capacity 1050 kg / castor set	A	131,-	15,-	146,-
Castor Set, solid rubber, Load capacity 615 kg / castor set	E	99,-	15,-	114,-
<b>SKK 800, painted</b>	E	842,-	124,-	966,-
Lid, galvanized	E	174,-	21,-	195,-
Castor Set, polyamide, Load capacity 1050 kg / castor set	A	131,-	15,-	146,-
Castor Set, solid rubber, Load capacity 615 kg / castor set	E	99,-	15,-	114,-
<b>SKK 800, hot-dip galvanized</b>	E	946,-	124,-	1070,-
Lid, galvanized	E	174,-	21,-	195,-
Castor Set, polyamide, Load capacity 1050 kg / castor set	A	131,-	15,-	146,-
Castor Set, solid rubber, Load capacity 615 kg / castor set	E	99,-	15,-	114,-
<b>SKK 1000, painted</b>	E	898,-	124,-	1022,-
Lid, galvanized	E	186,-	22,-	208,-
Castor Set, polyamide, Load capacity 1050 kg / castor set	A	131,-	15,-	146,-
Castor Set, solid rubber, Load capacity 615 kg / castor set	E	99,-	15,-	114,-
<b>SKK 1000, hot-dip galvanized</b>	E	1027,-	124,-	1151,-
Lid, galvanized	E	186,-	22,-	208,-
Castor Set, polyamide, Load capacity 1050 kg / castor set	A	131,-	15,-	146,-
Castor Set, solid rubber, Load capacity 615 kg / castor set	E	99,-	15,-	114,-
<b>Swarf Tilting Container Type SKM</b>	<b>Category</b>	<b>Price</b>	<b>Freight charges</b>	<b>Price including freight charges</b>
<b>SKM 30, painted</b>	A	917,-	124,-	1041,-
Lid, galvanized	A	100,-	18,-	118,-
<b>SKM 30, hot-dip galvanized</b>	A	1109,-	124,-	1233,-
Lid, galvanized	A	100,-	18,-	118,-
<b>SKM 50, painted</b>	A	1178,-	124,-	1302,-
Lid, galvanized	A	152,-	28,-	180,-
<b>SKM 50, hot-dip galvanized</b>	A	1428,-	124,-	1552,-
Lid, galvanized	A	152,-	28,-	180,-
<b>SKM 75, painted</b>	A	1419,-	124,-	1543,-
Lid, galvanized	A	169,-	33,-	202,-
<b>SKM 75, hot-dip galvanized</b>	A	1729,-	175,-	1904,-
Lid, galvanized	A	169,-	33,-	202,-
<b>Swarf Tipping Skip Type SKN</b>	<b>Category</b>	<b>Price</b>	<b>Freight charges</b>	<b>Price including freight charges</b>
<b>SKN 250, painted</b>	E	515,-	89,-	604,-
Lid, galvanized	E	131,-	15,-	146,-

Prices in EUR, valid EXW DE-46354 Südlohn, DE-38820 Halberstadt, unpacked  
Freight charges valid CPT Poland, islands and oversea territories excluded

# Price List 0424 en-PL

## Forklift Truck Attachments



<b>Swarf Tipping Skip Type SKN</b>	<b>Category</b>	<b>Price</b>	<b>Freight charges</b>	<b>Price including freight charges</b>
Castor Set, polyamide, Load capacity 1050 kg / castor set	A	131,-	15,-	146,-
Castor Set, solid rubber, Load capacity 615 kg / castor set	E	99,-	15,-	114,-
<b>SKN 250, hot-dip galvanized</b>	E	563,-	89,-	652,-
Lid, galvanized	E	131,-	15,-	146,-
Castor Set, polyamide, Load capacity 1050 kg / castor set	A	131,-	15,-	146,-
Castor Set, solid rubber, Load capacity 615 kg / castor set	E	99,-	15,-	114,-
<b>SKN 400, painted</b>	E	579,-	89,-	668,-
Lid, galvanized	E	150,-	16,-	166,-
Castor Set, polyamide, Load capacity 1050 kg / castor set	A	131,-	15,-	146,-
Castor Set, solid rubber, Load capacity 615 kg / castor set	E	99,-	15,-	114,-
<b>SKN 400, hot-dip galvanized</b>	E	627,-	89,-	716,-
Lid, galvanized	E	150,-	16,-	166,-
Castor Set, polyamide, Load capacity 1050 kg / castor set	A	131,-	15,-	146,-
Castor Set, solid rubber, Load capacity 615 kg / castor set	E	99,-	15,-	114,-

<b>Swarf Tipping Skip Type SKS</b>	<b>Category</b>	<b>Price</b>	<b>Freight charges</b>	<b>Price including freight charges</b>
<b>SKS 400, painted</b>	E	914,-	124,-	1038,-
<b>SKS 550, painted</b>	E	978,-	124,-	1102,-
<b>SKS 700, painted</b>	E	1035,-	124,-	1159,-

<b>Swarf Barrow Tipper Type SKW-ET</b>	<b>Category</b>	<b>Price</b>	<b>Freight charges</b>	<b>Price including freight charges</b>
<b>SKW-ET 250, painted</b>	E	616,-	89,-	705,-
Lid, galvanized	E	131,-	15,-	146,-
<b>SKW-ET 250, hot-dip galvanized</b>	E	942,-	89,-	1031,-
Lid, galvanized	E	131,-	15,-	146,-
<b>SKW-ET 400, painted</b>	E	673,-	89,-	762,-
Lid, galvanized	E	150,-	16,-	166,-
<b>SKW-ET 400, hot-dip galvanized</b>	E	1034,-	89,-	1123,-
Lid, galvanized	E	150,-	16,-	166,-
<b>SKW-ET 600, painted</b>	E	822,-	124,-	946,-
Lid, galvanized	E	167,-	20,-	187,-
<b>SKW-ET 600, hot-dip galvanized</b>	E	1191,-	124,-	1315,-
Lid, galvanized	E	167,-	20,-	187,-
<b>SKW-ET 1000, painted</b>	E	997,-	124,-	1121,-
Lid, galvanized	E	186,-	22,-	208,-
<b>SKW-ET 1000, hot-dip galvanized</b>	E	1587,-	124,-	1711,-
Lid, galvanized	E	186,-	22,-	208,-

<b>Mini Swarf Tilting Container Type SMGU</b>	<b>Category</b>	<b>Price</b>	<b>Freight charges</b>	<b>Price including freight charges</b>
<b>SMGU 230, painted</b>	A	665,-	89,-	754,-
Lid, galvanized	A	126,-	18,-	144,-
Castor Set, polyamide, Load capacity 1050 kg / castor set	A	150,-	15,-	165,-
<b>SMGU 230, hot-dip galvanized</b>	A	748,-	124,-	872,-
Lid, galvanized	A	126,-	18,-	144,-
Castor Set, polyamide, Load capacity 1050 kg / castor set	A	150,-	15,-	165,-

Prices in EUR, valid EXW DE-46354 Südlohn, DE-38820 Halberstadt, unpacked  
 Freight charges valid CPT Poland, islands and oversea territories excluded

# Price List 0424 en-PL

## Forklift Truck Attachments



Mini Swarf Tilting Container Type SMGU	Category	Price	Freight charges	Price including freight charges
<b>SMGU 270, painted</b>	A	718,-	124,-	842,-
Lid, galvanized	A	126,-	18,-	144,-
Castor Set, polyamide, Load capacity 1050 kg / castor set	A	150,-	15,-	165,-
<b>SMGU 270, hot-dip galvanized</b>	A	821,-	124,-	945,-
Lid, galvanized	A	126,-	18,-	144,-
Castor Set, polyamide, Load capacity 1050 kg / castor set	A	150,-	15,-	165,-
<b>SMGU 460, painted</b>	A	903,-	124,-	1027,-
Lid, galvanized	A	163,-	22,-	185,-
Castor Set, polyamide, Load capacity 1050 kg / castor set	A	150,-	15,-	165,-
<b>SMGU 460, hot-dip galvanized</b>	A	1051,-	124,-	1175,-
Lid, galvanized	A	163,-	22,-	185,-
Castor Set, polyamide, Load capacity 1050 kg / castor set	A	150,-	15,-	165,-
<b>SMGU 610, painted</b>	A	1005,-	124,-	1129,-
Lid, galvanized	A	174,-	26,-	200,-
Castor Set, polyamide, Load capacity 1050 kg / castor set	A	150,-	15,-	165,-
<b>SMGU 610, hot-dip galvanized</b>	A	1168,-	124,-	1292,-
Lid, galvanized	A	174,-	26,-	200,-
Castor Set, polyamide, Load capacity 1050 kg / castor set	A	150,-	15,-	165,-

Silo Container Type SR	Category	Price	Freight charges	Price including freight charges
<b>SR 375, painted</b>	E	815,-	89,-	904,-
Lid, galvanized	E	126,-	33,-	159,-
<b>SR 375, hot-dip galvanized</b>	E	1530,-	89,-	1619,-
Lid, galvanized	E	126,-	33,-	159,-
<b>SR 600, painted</b>	E	1012,-	124,-	1136,-
Lid, galvanized	E	126,-	33,-	159,-
<b>SR 600, hot-dip galvanized</b>	E	1740,-	124,-	1864,-
Lid, galvanized	E	126,-	33,-	159,-

Silo Container Type SR-D	Category	Price	Freight charges	Price including freight charges
<b>SR-D 375, painted</b>	E	815,-	89,-	904,-
Lid, galvanized	E	126,-	33,-	159,-
<b>SR-D 375, hot-dip galvanized</b>	E	1530,-	89,-	1619,-
Lid, galvanized	E	126,-	33,-	159,-
<b>SR-D 600, painted</b>	E	1012,-	124,-	1136,-
Lid, galvanized	E	126,-	33,-	159,-
<b>SR-D 600, hot-dip galvanized</b>	E	1740,-	124,-	1864,-
Lid, galvanized	E	126,-	33,-	159,-

Silo Container Type SRE	Category	Price	Freight charges	Price including freight charges
<b>SRE 375, painted</b>	E	929,-	124,-	1053,-
Lid, galvanized	E	126,-	33,-	159,-
<b>SRE 375, hot-dip galvanized</b>	E	1664,-	124,-	1788,-
Lid, galvanized	E	126,-	33,-	159,-
<b>SRE 600, painted</b>	E	1131,-	124,-	1255,-

Prices in EUR, valid EXW DE-46354 Südlohn, DE-38820 Halberstadt, unpacked  
 Freight charges valid CPT Poland, islands and oversea territories excluded

# Price List 0424 en-PL

## Forklift Truck Attachments



Silo Container Type SRE	Category	Price	Freight charges	Price including freight charges
Lid, galvanized	E	126,-	33,-	159,-
<b>SRE 600, hot-dip galvanized</b>	E	1794,-	124,-	1918,-
Lid, galvanized	E	126,-	33,-	159,-
Silo Container Type SRE-D	Category	Price	Freight charges	Price including freight charges
<b>SRE-D 375, painted</b>	E	929,-	89,-	1018,-
Lid, galvanized	E	126,-	33,-	159,-
<b>SRE-D 375, hot-dip galvanized</b>	E	1664,-	124,-	1788,-
Lid, galvanized	E	126,-	33,-	159,-
<b>SRE-D 600, painted</b>	E	1131,-	124,-	1255,-
Lid, galvanized	E	126,-	33,-	159,-
<b>SRE-D 600, hot-dip galvanized</b>	E	1794,-	124,-	1918,-
Lid, galvanized	E	126,-	33,-	159,-
Forklift Tender System Type STS	Category	Price	Freight charges	Price including freight charges
<b>STS 2,5, painted</b>	C	3726,-	on request	on request
<b>STS 5,0, painted</b>	C	4392,-	on request	on request
Spreader Type STW	Category	Price	Freight charges	Price including freight charges
<b>STW 100, painted</b>	A	1174,-	89,-	1263,-
Tarpaulin	A	112,-	10,-	122,-
<b>STW 260, painted</b>	A	2074,-	89,-	2163,-
Tarpaulin	A	117,-	10,-	127,-
Traverse for Big Bags Type TBB	Category	Price	Freight charges	Price including freight charges
<b>TBB, painted</b>	A	870,-	89,-	959,-
Traverse For Big Bags Type TBB-E	Category	Price	Freight charges	Price including freight charges
<b>TBB-E, painted</b>	A	823,-	89,-	912,-
Traverse For Big Bags Type TBB-W	Category	Price	Freight charges	Price including freight charges
<b>TBB-W, painted</b>	A	1056,-	89,-	1145,-
Mini Lifting Beam Type TM	Category	Price	Freight charges	Price including freight charges
<b>TM 200-500, hot-dip galvanized</b>	F	385,-	50,-	435,-
<b>TM 400-800, hot-dip galvanized</b>	F	414,-	50,-	464,-
<b>TM 800-1200, hot-dip galvanized</b>	F	546,-	50,-	596,-
Tilting Container Type TRIO	Category	Price	Freight charges	Price including freight charges
<b>TRIO, painted</b>	A	2254,-	226,-	2480,-
Lid, galvanized	A	207,-	26,-	233,-
Castor Set, polyamide, Load capacity 1350 kg / castor set	A	185,-	15,-	200,-
Set of 5 self-adhesive stickers with symbols for: glass, paper, plastic, metal, residual waste	A	28,-	on request	on request

Prices in EUR, valid EXW DE-46354 Südlohn, DE-38820 Halberstadt, unpacked  
Freight charges valid CPT Poland, islands and oversea territories excluded

# Price List 0424 en-PL

## Forklift Truck Attachments



Universal Container Type UC	Category	Price	Freight charges	Price including freight charges
<b>UC 500, painted</b>	A	652,-	89,-	741,-
Lid, galvanized	A	162,-	16,-	178,-
Castor Set, polyamide, Load capacity 1350 kg / castor set	A	185,-	15,-	200,-
Pick-up Profile on Type UC for Traverse Type UCT	A	102,-	0,-	102,-
<b>UC 500, hot-dip galvanized</b>	A	744,-	124,-	868,-
Lid, galvanized	A	162,-	16,-	178,-
Castor Set, polyamide, Load capacity 1350 kg / castor set	A	185,-	15,-	200,-
Pick-up Profile on Type UC for Traverse Type UCT	A	102,-	0,-	102,-
<b>UC 750, painted</b>	A	709,-	124,-	833,-
Lid, galvanized	A	162,-	16,-	178,-
Castor Set, polyamide, Load capacity 1350 kg / castor set	A	185,-	15,-	200,-
Pick-up Profile on Type UC for Traverse Type UCT	A	102,-	0,-	102,-
<b>UC 750, hot-dip galvanized</b>	A	824,-	124,-	948,-
Lid, galvanized	A	162,-	16,-	178,-
Castor Set, polyamide, Load capacity 1350 kg / castor set	A	185,-	15,-	200,-
Pick-up Profile on Type UC for Traverse Type UCT	A	102,-	0,-	102,-
<b>UC 1000, painted</b>	A	744,-	124,-	868,-
Lid, galvanized	A	162,-	16,-	178,-
Castor Set, polyamide, Load capacity 1350 kg / castor set	A	185,-	15,-	200,-
Pick-up Profile on Type UC for Traverse Type UCT	A	102,-	0,-	102,-
<b>UC 1000, hot-dip galvanized</b>	A	863,-	124,-	987,-
Lid, galvanized	A	162,-	16,-	178,-
Castor Set, polyamide, Load capacity 1350 kg / castor set	A	185,-	15,-	200,-
Pick-up Profile on Type UC for Traverse Type UCT	A	102,-	0,-	102,-
<b>Hydraulic Traverse Type UCT</b>	<b>Category</b>	<b>Price</b>	<b>Freight charges</b>	<b>Price including freight charges</b>
<b>UCT, painted</b>	A	2644,-	175,-	2819,-
<b>Tilting Container Type VD</b>	<b>Category</b>	<b>Price</b>	<b>Freight charges</b>	<b>Price including freight charges</b>
<b>VD 500, painted</b>	A	767,-	124,-	891,-
Lid, galvanized	A	139,-	18,-	157,-
Castor Set, polyamide, Load capacity 1350 kg / castor set	A	185,-	15,-	200,-
Skip Body Welded Oil and Watertight	A	75,-	0,-	75,-
<b>VD 500, hot-dip galvanized</b>	A	998,-	124,-	1122,-
Lid, galvanized	A	139,-	18,-	157,-
Castor Set, polyamide, Load capacity 1350 kg / castor set	A	185,-	15,-	200,-
Skip Body Welded Oil and Watertight	A	75,-	0,-	75,-
<b>VD 650, painted</b>	A	838,-	124,-	962,-
Lid, galvanized	A	139,-	18,-	157,-
Castor Set, polyamide, Load capacity 1350 kg / castor set	A	185,-	15,-	200,-
Skip Body Welded Oil and Watertight	A	75,-	0,-	75,-
<b>VD 650, hot-dip galvanized</b>	A	1091,-	124,-	1215,-
Lid, galvanized	A	139,-	18,-	157,-
Castor Set, polyamide, Load capacity 1350 kg / castor set	A	185,-	15,-	200,-
Skip Body Welded Oil and Watertight	A	75,-	0,-	75,-

Prices in EUR, valid EXW DE-46354 Südlohn, DE-38820 Halberstadt, unpacked  
Freight charges valid CPT Poland, islands and oversea territories excluded

# Price List 0424 en-PL

## Forklift Truck Attachments



Tilting Container Type VD	Category	Price	Freight charges	Price including freight charges
<b>VD 800, painted</b>	A	957,-	124,-	1081,-
Lid, galvanized	A	168,-	22,-	190,-
Castor Set, polyamide, Load capacity 1350 kg / castor set	A	185,-	15,-	200,-
Skip Body Welded Oil and Watertight	A	75,-	0,-	75,-
<b>VD 800, hot-dip galvanized</b>	A	1300,-	124,-	1424,-
Lid, galvanized	A	168,-	22,-	190,-
Castor Set, polyamide, Load capacity 1350 kg / castor set	A	185,-	15,-	200,-
Skip Body Welded Oil and Watertight	A	75,-	0,-	75,-
<b>VD 1000, painted</b>	A	1005,-	124,-	1129,-
Lid, galvanized	A	168,-	22,-	190,-
Castor Set, polyamide, Load capacity 1350 kg / castor set	A	185,-	15,-	200,-
Skip Body Welded Oil and Watertight	A	116,-	0,-	116,-
<b>VD 1000, hot-dip galvanized</b>	A	1419,-	124,-	1543,-
Lid, galvanized	A	168,-	22,-	190,-
Castor Set, polyamide, Load capacity 1350 kg / castor set	A	185,-	15,-	200,-
Skip Body Welded Oil and Watertight	A	116,-	0,-	116,-

Tilting Container Type VG	Category	Price	Freight charges	Price including freight charges
<b>VG 550, painted</b>	A	784,-	124,-	908,-
Lid, galvanized	A	139,-	18,-	157,-
Castor Set, polyamide, Load capacity 1350 kg / castor set	A	185,-	15,-	200,-
Skip Body Welded Oil and Watertight	A	75,-	0,-	75,-
<b>VG 550, hot-dip galvanized</b>	A	1022,-	124,-	1146,-
Lid, galvanized	A	139,-	18,-	157,-
Castor Set, polyamide, Load capacity 1350 kg / castor set	A	185,-	15,-	200,-
Skip Body Welded Oil and Watertight	A	75,-	0,-	75,-
<b>VG 700, painted</b>	A	929,-	124,-	1053,-
Lid, galvanized	A	139,-	18,-	157,-
Castor Set, polyamide, Load capacity 1350 kg / castor set	A	185,-	15,-	200,-
Skip Body Welded Oil and Watertight	A	75,-	0,-	75,-
<b>VG 700, hot-dip galvanized</b>	A	1209,-	124,-	1333,-
Lid, galvanized	A	139,-	18,-	157,-
Castor Set, polyamide, Load capacity 1350 kg / castor set	A	185,-	15,-	200,-
Skip Body Welded Oil and Watertight	A	75,-	0,-	75,-
<b>VG 900, painted</b>	A	1024,-	124,-	1148,-
Lid, galvanized	A	168,-	22,-	190,-
Castor Set, polyamide, Load capacity 1350 kg / castor set	A	185,-	15,-	200,-
Skip Body Welded Oil and Watertight	A	75,-	0,-	75,-
<b>VG 900, hot-dip galvanized</b>	A	1451,-	124,-	1575,-
Lid, galvanized	A	168,-	22,-	190,-
Castor Set, polyamide, Load capacity 1350 kg / castor set	A	185,-	15,-	200,-
Skip Body Welded Oil and Watertight	A	75,-	0,-	75,-
<b>VG 1100, painted</b>	A	1111,-	124,-	1235,-
Lid, galvanized	A	168,-	22,-	190,-
Castor Set, polyamide, Load capacity 1350 kg / castor set	A	185,-	15,-	200,-
Skip Body Welded Oil and Watertight	A	116,-	0,-	116,-

Prices in EUR, valid EXW DE-46354 Südlohn, DE-38820 Halberstadt, unpacked  
Freight charges valid CPT Poland, islands and oversea territories excluded



# Price List 0424 en-PL

## Forklift Truck Attachments



Tilting Container Type VG	Category	Price	Freight charges	Price including freight charges
<b>VG 1100, hot-dip galvanized</b>	A	1508,—	124,—	1632,—
Lid, galvanized	A	168,—	22,—	190,—
Castor Set, polyamide, Load capacity 1350 kg / castor set	A	185,—	15,—	200,—
Skip Body Welded Oil and Watertight	A	116,—	0,—	116,—

Prices in EUR, valid EXW DE-46354 Südlohn, DE-38820 Halberstadt, unpacked  
 Freight charges valid CPT Poland, islands and oversea territories excluded

## Price List 0424 en-PL Workspace Material Handling

Battery Charging Station Type BL	Category	Price	Freight charges	Price including freight charges
<b>BL 1, painted</b>	A	1373,-	89,-	1462,-
Fire Extinguisher	A	197,-	14,-	211,-
Fixture for water receptacle	A	61,-	13,-	74,-
<b>BL 2, painted</b>	A	1737,-	89,-	1826,-
Fire Extinguisher	A	197,-	14,-	211,-
Fixture for water receptacle	A	61,-	13,-	74,-
<b>BL 3, painted</b>	A	1737,-	89,-	1826,-
Fire Extinguisher	A	197,-	14,-	211,-
Fixture for water receptacle	A	61,-	13,-	74,-
Drum Jack Roller Type FHR	Category	Price	Freight charges	Price including freight charges
<b>FHR 600 F, painted</b>	B	3174,-	175,-	3349,-
<b>FHR 600 F, hot-dip galvanized</b>	B	3517,-	175,-	3692,-
<b>FHR 600 G, painted</b>	B	2528,-	124,-	2652,-
<b>FHR 600 G, hot-dip galvanized</b>	B	2790,-	124,-	2914,-
<b>FHR 600 K, painted</b>	B	2528,-	124,-	2652,-
<b>FHR 600 K, hot-dip galvanized</b>	B	2790,-	124,-	2914,-
Drum Trolley Type FP-L	Category	Price	Freight charges	Price including freight charges
<b>FP-L, galvanized</b>	C	602,-	89,-	691,-
Drum Trolley Type FP-V	Category	Price	Freight charges	Price including freight charges
<b>FP-V, galvanized</b>	C	584,-	89,-	673,-
Drum Dolly Type FRW	Category	Price	Freight charges	Price including freight charges
<b>FRW-I, hot-dip galvanized</b>	A	112,-	50,-	162,-
<b>FRW-II, hot-dip galvanized</b>	A	148,-	50,-	198,-
<b>FRW-III, hot-dip galvanized</b>	A	200,-	89,-	289,-
Dolly Type GRW	Category	Price	Freight charges	Price including freight charges
<b>GRW-I, hot-dip galvanized</b>	F	121,-	50,-	171,-
Handle, galvanized	F	53,-	10,-	63,-
<b>GRW-II, hot-dip galvanized</b>	F	138,-	50,-	188,-
Handle, galvanized	F	53,-	10,-	63,-
<b>GRW-III, hot-dip galvanized</b>	F	172,-	89,-	261,-
Handle, galvanized	F	53,-	10,-	63,-
Gas Cylinder Wall Bracket Type GWH	Category	Price	Freight charges	Price including freight charges
<b>GWH 140-I, hot-dip galvanized</b>	F	25,-	50,-	75,-
<b>GWH 140-II, hot-dip galvanized</b>	F	38,-	50,-	88,-

Prices in EUR, valid EXW DE-46354 Südlohn, DE-38820 Halberstadt, unpacked  
Freight charges valid CPT Poland, islands and oversea territories excluded

# Price List 0424 en-PL

## Workspace Material Handling



Gas Cylinder Wall Bracket Type GWH	Category	Price	Freight charges	Price including freight charges
GWH 140-III, hot-dip galvanized	F	57,-	50,-	107,-
GWH 230-I, hot-dip galvanized	F	27,-	50,-	77,-
GWH 230-II, hot-dip galvanized	F	41,-	50,-	91,-
GWH 230-III, hot-dip galvanized	F	62,-	50,-	112,-
GWH 320-I, hot-dip galvanized	F	28,-	50,-	78,-
GWH 320-II, hot-dip galvanized	F	46,-	50,-	96,-
GWH 320-III, hot-dip galvanized	F	69,-	50,-	119,-
Fork Lifter Type GZH-A	Category	Price	Freight charges	Price including freight charges
GZH-A, painted	F	110,-	50,-	160,-
Fork Lifter Type GZH-B	Category	Price	Freight charges	Price including freight charges
GZH-B, painted	F	110,-	50,-	160,-
Fork Pallet Type GZP	Category	Price	Freight charges	Price including freight charges
GZP 4, hot-dip galvanized	A	155,-	89,-	244,-
GZP 8, hot-dip galvanized	A	194,-	89,-	283,-
IBC Residue Drainer Type IR	Category	Price	Freight charges	Price including freight charges
IR-1, hot-dip galvanized	A	575,-	89,-	664,-
IR-2, hot-dip galvanized	A	686,-	89,-	775,-
Tilting Canister Stand Type KAH	Category	Price	Freight charges	Price including freight charges
KAH-5, galvanized	A	92,-	50,-	142,-
KAH-25, galvanized	A	105,-	50,-	155,-
KAH-60, galvanized	A	135,-	50,-	185,-
Sheet Metal Storage Units With Trays Type KBR	Category	Price	Freight charges	Price including freight charges
KBR 1, painted	A	5782,-	490,-	6272,-
KBR 2, painted	A	5997,-	on request	on request
KBR 3, painted	A	6441,-	on request	on request
Liftomat Type L/E	Category	Price	Freight charges	Price including freight charges
L/E 1300, painted	B	4742,-	175,-	4917,-
L/E 1300, hot-dip galvanized	B	5389,-	175,-	5564,-
Liftomat Type L/M	Category	Price	Freight charges	Price including freight charges
L/M 600, painted	B	3432,-	124,-	3556,-
L/M 600, hot-dip galvanized	B	3888,-	124,-	4012,-
L/M 1300, painted	B	3851,-	175,-	4026,-
L/M 1300, hot-dip galvanized	B	4414,-	175,-	4589,-
Security Cage for Storage Type LBM	Category	Price	Freight charges	Price including freight charges
LBM 1500, hot-dip galvanized	A	1934,-	175,-	2109,-

Prices in EUR, valid EXW DE-46354 Südlohn, DE-38820 Halberstadt, unpacked  
Freight charges valid CPT Poland, islands and oversea territories excluded

# Price List 0424 en-PL

## Workspace Material Handling



Security Cage for Storage Type LBM	Category	Price	Freight charges	Price including freight charges
LBM 3000, hot-dip galvanized	A	2654,-	298,-	2952,-
LBM 4500, hot-dip galvanized	A	3373,-	298,-	3671,-
LBM 6000, hot-dip galvanized	A	4088,-	393,-	4481,-
Wheelie Bin Tipping Station Type MKS	Category	Price	Freight charges	Price including freight charges
MKS-12V, painted	A	3618,-	124,-	3742,-
External Charger for 12 V electro-hydraulic constructions	A	194,-	15,-	209,-
MKS-230V, painted	A	3618,-	124,-	3742,-
Wheelie Bin Tipping Station Type MKS-F	Category	Price	Freight charges	Price including freight charges
MKS-F, painted	A	2375,-	124,-	2499,-
Wheelie Bin Tipping Station Type MKS-H	Category	Price	Freight charges	Price including freight charges
MKS-H, painted	A	2375,-	124,-	2499,-
Stillage Transport Cage Type MTP	Category	Price	Freight charges	Price including freight charges
MTP 2000, hot-dip galvanized	A	2121,-	175,-	2296,-
Tension belt	A	46,-	8,-	54,-
MTP 3000, hot-dip galvanized	A	2680,-	226,-	2906,-
Tension belt	A	46,-	8,-	54,-
Two-Wheeled Pallet Picker Type PZ	Category	Price	Freight charges	Price including freight charges
PZ, hot-dip galvanized	F	440,-	50,-	490,-
Tyre Fitting Equipment Type RM	Category	Price	Freight charges	Price including freight charges
RM, painted	F	442,-	50,-	492,-
Surround for Waste Bins Type SECOMAT	Category	Price	Freight charges	Price including freight charges
S 120-D, powder coated	B	626,-	89,-	715,-
S 120-K, powder coated	B	702,-	89,-	791,-
S 240-D, powder coated	B	719,-	89,-	808,-
S 240-K, powder coated	B	787,-	89,-	876,-
S1100, powder-coated	B	727,-	89,-	816,-
S1100-W, powder-coated	B	956,-	124,-	1080,-
S1100-WT, powder-coated	B	1200,-	159,-	1359,-
S1100-WTB, powder-coated	B	1295,-	188,-	1483,-
S4USE, powder coated	C	2138,-	175,-	2313,-
Gas Cylinder Pallet Type SFP	Category	Price	Freight charges	Price including freight charges
SFP 4, hot-dip galvanized	C	334,-	89,-	423,-
SFP 8, hot-dip galvanized	C	444,-	89,-	533,-
Loading Support Type VS	Category	Price	Freight charges	Price including freight charges
VS, painted	C	739,-	124,-	863,-

Prices in EUR, valid EXW DE-46354 Südlohn, DE-38820 Halberstadt, unpacked  
Freight charges valid CPT Poland, islands and oversea territories excluded

## Price List 0424 en-PL Environment / Storage

Sump Trays Type SERIES 2000	Category	Price	Freight charges	Price including freight charges
<b>2000, painted</b>	B	241,-	89,-	330,-
<b>2001, hot-dip galvanized</b>	B	278,-	89,-	367,-
<b>2002, painted</b>	B	275,-	89,-	364,-
<b>2003, hot-dip galvanized</b>	B	311,-	89,-	400,-
<b>2008, painted</b>	B	241,-	89,-	330,-
<b>2009, hot-dip galvanized</b>	B	289,-	89,-	378,-
<b>2010, painted</b>	B	290,-	89,-	379,-
Drum Support FA 60-1, hot-dip galvanized	B	105,-	15,-	120,-
Drum Support FA 60-2, hot-dip galvanized	B	114,-	18,-	132,-
Drum Support FA 60-3, hot-dip galvanized	B	133,-	21,-	154,-
Drum Support FA 200-1, hot-dip galvanized	B	114,-	15,-	129,-
Can Shelf Type GR-A, galvanized	B	133,-	50,-	183,-
Can Shelf Type GR-B, galvanized	B	133,-	50,-	183,-
Can Shelf Type GR-C, galvanized	B	133,-	50,-	183,-
<b>2011, hot-dip galvanized</b>	B	339,-	89,-	428,-
Drum Support FA 60-1, hot-dip galvanized	B	105,-	15,-	120,-
Drum Support FA 60-2, hot-dip galvanized	B	114,-	18,-	132,-
Drum Support FA 60-3, hot-dip galvanized	B	133,-	21,-	154,-
Drum Support FA 200-1, hot-dip galvanized	B	114,-	15,-	129,-
Can Shelf Type GR-A, galvanized	B	133,-	50,-	183,-
Can Shelf Type GR-B, galvanized	B	133,-	50,-	183,-
Can Shelf Type GR-C, galvanized	B	133,-	50,-	183,-
<b>2016, painted</b>	B	253,-	89,-	342,-
<b>2017, hot-dip galvanized</b>	B	303,-	89,-	392,-
<b>2018, painted</b>	B	304,-	89,-	393,-
Drum Support FA 60-1, hot-dip galvanized	B	105,-	15,-	120,-
Drum Support FA 60-2, hot-dip galvanized	B	114,-	18,-	132,-
Drum Support FA 60-3, hot-dip galvanized	B	133,-	21,-	154,-
Drum Support FA 200-1, hot-dip galvanized	B	114,-	15,-	129,-
Can Shelf Type GR-A, galvanized	B	133,-	50,-	183,-
Can Shelf Type GR-B, galvanized	B	133,-	50,-	183,-
Can Shelf Type GR-C, galvanized	B	133,-	50,-	183,-
<b>2019, hot-dip galvanized</b>	B	352,-	89,-	441,-
Drum Support FA 60-1, hot-dip galvanized	B	105,-	15,-	120,-
Drum Support FA 60-2, hot-dip galvanized	B	114,-	18,-	132,-
Drum Support FA 60-3, hot-dip galvanized	B	133,-	21,-	154,-
Drum Support FA 200-1, hot-dip galvanized	B	114,-	15,-	129,-
Can Shelf Type GR-A, galvanized	B	133,-	50,-	183,-
Can Shelf Type GR-B, galvanized	B	133,-	50,-	183,-
Can Shelf Type GR-C, galvanized	B	133,-	50,-	183,-
<b>2026, painted</b>	B	253,-	89,-	342,-
<b>2027, hot-dip galvanized</b>	B	299,-	89,-	388,-

Prices in EUR, valid EXW DE-46354 Südlohn, DE-38820 Halberstadt, unpacked  
Freight charges valid CPT Poland, islands and oversea territories excluded

# Price List 0424 en-PL

## Environment / Storage



Sump Trays Type SERIES 2000	Category	Price	Freight charges	Price including freight charges
<b>2028, painted</b>	B	353,-	89,-	442,-
Drum Support FA 60-1, hot-dip galvanized	B	105,-	15,-	120,-
Drum Support FA 60-2, hot-dip galvanized	B	114,-	18,-	132,-
Drum Support FA 60-3, hot-dip galvanized	B	133,-	21,-	154,-
Drum Support FA 200-1, hot-dip galvanized	B	114,-	15,-	129,-
Drum Support FA 200-2, hot-dip galvanized	B	133,-	22,-	155,-
Can Shelf Type GR-A, galvanized	B	133,-	50,-	183,-
Can Shelf Type GR-B, galvanized	B	133,-	50,-	183,-
Can Shelf Type GR-C, galvanized	B	133,-	50,-	183,-
<b>2029, hot-dip galvanized</b>	B	398,-	89,-	487,-
Drum Support FA 60-1, hot-dip galvanized	B	105,-	15,-	120,-
Drum Support FA 60-2, hot-dip galvanized	B	114,-	18,-	132,-
Drum Support FA 60-3, hot-dip galvanized	B	133,-	21,-	154,-
Drum Support FA 200-1, hot-dip galvanized	B	114,-	15,-	129,-
Drum Support FA 200-2, hot-dip galvanized	B	133,-	22,-	155,-
Can Shelf Type GR-A, galvanized	B	133,-	50,-	183,-
Can Shelf Type GR-B, galvanized	B	133,-	50,-	183,-
Can Shelf Type GR-C, galvanized	B	133,-	50,-	183,-
<b>2030, painted</b>	B	265,-	89,-	354,-
<b>2031, hot-dip galvanized</b>	B	310,-	89,-	399,-
<b>2032, painted</b>	B	365,-	89,-	454,-
Drum Support FA 60-1, hot-dip galvanized	B	105,-	15,-	120,-
Drum Support FA 60-2, hot-dip galvanized	B	114,-	18,-	132,-
Drum Support FA 60-3, hot-dip galvanized	B	133,-	21,-	154,-
Drum Support FA 200-1, hot-dip galvanized	B	114,-	15,-	129,-
Drum Support FA 200-2, hot-dip galvanized	B	133,-	22,-	155,-
Can Shelf Type GR-A, galvanized	B	133,-	50,-	183,-
Can Shelf Type GR-B, galvanized	B	133,-	50,-	183,-
Can Shelf Type GR-C, galvanized	B	133,-	50,-	183,-
<b>2033, hot-dip galvanized</b>	B	411,-	89,-	500,-
Drum Support FA 60-1, hot-dip galvanized	B	105,-	15,-	120,-
Drum Support FA 60-2, hot-dip galvanized	B	114,-	18,-	132,-
Drum Support FA 60-3, hot-dip galvanized	B	133,-	21,-	154,-
Drum Support FA 200-1, hot-dip galvanized	B	114,-	15,-	129,-
Drum Support FA 200-2, hot-dip galvanized	B	133,-	22,-	155,-
Can Shelf Type GR-A, galvanized	B	133,-	50,-	183,-
Can Shelf Type GR-B, galvanized	B	133,-	50,-	183,-
Can Shelf Type GR-C, galvanized	B	133,-	50,-	183,-
<b>2040, painted</b>	B	339,-	89,-	428,-
<b>2041, hot-dip galvanized</b>	B	411,-	89,-	500,-
<b>2042, painted</b>	B	439,-	124,-	563,-
Drum Support FA 60-1, hot-dip galvanized	B	105,-	15,-	120,-
Drum Support FA 60-2, hot-dip galvanized	B	114,-	18,-	132,-
Drum Support FA 60-3, hot-dip galvanized	B	133,-	21,-	154,-
Can Shelf Type GR-A, galvanized	B	133,-	50,-	183,-
Can Shelf Type GR-B, galvanized	B	133,-	50,-	183,-

Prices in EUR, valid EXW DE-46354 Südlohn, DE-38820 Halberstadt, unpacked  
Freight charges valid CPT Poland, islands and oversea territories excluded

# Price List 0424 en-PL

## Environment / Storage



Sump Trays Type SERIES 2000	Category	Price	Freight charges	Price including freight charges
Can Shelf Type GR-C, galvanized	B	133,-	50,-	183,-
<b>2043, hot-dip galvanized</b>	B	511,-	124,-	635,-
Drum Support FA 60-1, hot-dip galvanized	B	105,-	15,-	120,-
Drum Support FA 60-2, hot-dip galvanized	B	114,-	18,-	132,-
Drum Support FA 60-3, hot-dip galvanized	B	133,-	21,-	154,-
Can Shelf Type GR-A, galvanized	B	133,-	50,-	183,-
Can Shelf Type GR-B, galvanized	B	133,-	50,-	183,-
Can Shelf Type GR-C, galvanized	B	133,-	50,-	183,-
<b>2048, painted</b>	B	261,-	89,-	350,-
<b>2049, hot-dip galvanized</b>	B	305,-	89,-	394,-
<b>2050, painted</b>	B	356,-	89,-	445,-
Drum Support FA 60-1, hot-dip galvanized	B	105,-	15,-	120,-
Drum Support FA 60-2, hot-dip galvanized	B	114,-	18,-	132,-
Drum Support FA 60-3, hot-dip galvanized	B	133,-	21,-	154,-
Can Shelf Type GR-A, galvanized	B	133,-	50,-	183,-
Can Shelf Type GR-B, galvanized	B	133,-	50,-	183,-
Can Shelf Type GR-C, galvanized	B	133,-	50,-	183,-
<b>2051, hot-dip galvanized</b>	B	400,-	89,-	489,-
Drum Support FA 60-1, hot-dip galvanized	B	105,-	15,-	120,-
Drum Support FA 60-2, hot-dip galvanized	B	114,-	18,-	132,-
Drum Support FA 60-3, hot-dip galvanized	B	133,-	21,-	154,-
Can Shelf Type GR-A, galvanized	B	133,-	50,-	183,-
Can Shelf Type GR-B, galvanized	B	133,-	50,-	183,-
Can Shelf Type GR-C, galvanized	B	133,-	50,-	183,-
Sump Trays Type SERIES 2000/SW	Category	Price	Freight charges	Price including freight charges
<b>2002/SW, painted</b>	B	412,-	89,-	501,-
<b>2003/SW, hot-dip galvanized</b>	B	448,-	89,-	537,-
<b>2018/SW, painted</b>	B	452,-	124,-	576,-
Drum Support FA 60-1, hot-dip galvanized	B	105,-	15,-	120,-
Drum Support FA 60-2, hot-dip galvanized	B	114,-	18,-	132,-
Drum Support FA 60-3, hot-dip galvanized	B	133,-	21,-	154,-
Drum Support FA 200-1, hot-dip galvanized	B	114,-	15,-	129,-
Can Shelf Type GR-A, galvanized	B	133,-	50,-	183,-
Can Shelf Type GR-B, galvanized	B	133,-	50,-	183,-
Can Shelf Type GR-C, galvanized	B	133,-	50,-	183,-
<b>2019/SW, hot-dip galvanized</b>	B	499,-	124,-	623,-
Drum Support FA 60-1, hot-dip galvanized	B	105,-	15,-	120,-
Drum Support FA 60-2, hot-dip galvanized	B	114,-	18,-	132,-
Drum Support FA 60-3, hot-dip galvanized	B	133,-	21,-	154,-
Drum Support FA 200-1, hot-dip galvanized	B	114,-	15,-	129,-
Can Shelf Type GR-A, galvanized	B	133,-	50,-	183,-
Can Shelf Type GR-B, galvanized	B	133,-	50,-	183,-
Can Shelf Type GR-C, galvanized	B	133,-	50,-	183,-
<b>2032/SW, painted</b>	B	533,-	124,-	657,-
Drum Support FA 60-1, hot-dip galvanized	B	105,-	15,-	120,-

Prices in EUR, valid EXW DE-46354 Südlohn, DE-38820 Halberstadt, unpacked  
Freight charges valid CPT Poland, islands and oversea territories excluded

# Price List 0424 en-PL

## Environment / Storage



Sump Trays Type SERIES 2000/SW	Category	Price	Freight charges	Price including freight charges
Drum Support FA 60-2, hot-dip galvanized	B	114,-	18,-	132,-
Drum Support FA 60-3, hot-dip galvanized	B	133,-	21,-	154,-
Drum Support FA 200-1, hot-dip galvanized	B	114,-	15,-	129,-
Drum Support FA 200-2, hot-dip galvanized	B	133,-	22,-	155,-
Can Shelf Type GR-A, galvanized	B	133,-	50,-	183,-
Can Shelf Type GR-B, galvanized	B	133,-	50,-	183,-
Can Shelf Type GR-C, galvanized	B	133,-	50,-	183,-
<b>2033/SW, hot-dip galvanized</b>	B	579,-	124,-	703,-
Drum Support FA 60-1, hot-dip galvanized	B	105,-	15,-	120,-
Drum Support FA 60-2, hot-dip galvanized	B	114,-	18,-	132,-
Drum Support FA 60-3, hot-dip galvanized	B	133,-	21,-	154,-
Drum Support FA 200-1, hot-dip galvanized	B	114,-	15,-	129,-
Drum Support FA 200-2, hot-dip galvanized	B	133,-	22,-	155,-
Can Shelf Type GR-A, galvanized	B	133,-	50,-	183,-
Can Shelf Type GR-B, galvanized	B	133,-	50,-	183,-
Can Shelf Type GR-C, galvanized	B	133,-	50,-	183,-
<b>2042/SW, painted</b>	B	661,-	174,-	835,-
Drum Support FA 60-1, hot-dip galvanized	B	105,-	15,-	120,-
Drum Support FA 60-2, hot-dip galvanized	B	114,-	18,-	132,-
Drum Support FA 60-3, hot-dip galvanized	B	133,-	21,-	154,-
Can Shelf Type GR-A, galvanized	B	133,-	50,-	183,-
Can Shelf Type GR-B, galvanized	B	133,-	50,-	183,-
Can Shelf Type GR-C, galvanized	B	133,-	50,-	183,-
<b>2043/SW, hot-dip galvanized</b>	B	734,-	174,-	908,-
Drum Support FA 60-1, hot-dip galvanized	B	105,-	15,-	120,-
Drum Support FA 60-2, hot-dip galvanized	B	114,-	18,-	132,-
Drum Support FA 60-3, hot-dip galvanized	B	133,-	21,-	154,-
Can Shelf Type GR-A, galvanized	B	133,-	50,-	183,-
Can Shelf Type GR-B, galvanized	B	133,-	50,-	183,-
Can Shelf Type GR-C, galvanized	B	133,-	50,-	183,-
Mobile Sump Trays Type SERIES 2000	Category	Price	Freight charges	Price including freight charges
<b>2004, painted</b>	B	570,-	89,-	659,-
Fixture and Tension Belt for 1 x 200 Litre Drum	B	46,-	9,-	55,-
<b>2005, hot-dip galvanized</b>	B	634,-	89,-	723,-
Fixture and Tension Belt for 1 x 200 Litre Drum	B	46,-	9,-	55,-
<b>2020, painted</b>	B	633,-	89,-	722,-
Fixture and Tension Belt for 2 x 200 Litre Drums	B	46,-	9,-	55,-
<b>2021, hot-dip galvanized</b>	B	692,-	89,-	781,-
Fixture and Tension Belt for 2 x 200 Litre Drums	B	46,-	9,-	55,-
<b>2050 SR, painted</b>	B	685,-	89,-	774,-
Fixture and Tension Belt for 3 x 200 Litre Drums	B	46,-	9,-	55,-
<b>2051 SR, hot-dip galvanized</b>	B	740,-	124,-	864,-
Fixture and Tension Belt for 3 x 200 Litre Drums	B	46,-	9,-	55,-

Prices in EUR, valid EXW DE-46354 Südlohn, DE-38820 Halberstadt, unpacked  
Freight charges valid CPT Poland, islands and oversea territories excluded



# Price List 0424 en-PL

## Environment / Storage



Drum Shelves with Sump Trays Type SERIES 3000	Category	Price	Freight charges	Price including freight charges
<b>3000, hot-dip galvanized</b>	B	1054,-	124,-	1178,-
Retainer Bar	B	46,-	12,-	58,-
Rotating Support RA 200, hot-dip galvanized	B	93,-	10,-	103,-
Can Stand Type GS, hot-dip galvanized	B	62,-	18,-	80,-
Crash Guard	B	54,-	9,-	63,-
<b>3001, hot-dip galvanized</b>	B	887,-	124,-	1011,-
Retainer Bar	B	46,-	12,-	58,-
Rotating Support RA 200, hot-dip galvanized	B	93,-	10,-	103,-
Can Stand Type GS, hot-dip galvanized	B	62,-	18,-	80,-
Crash Guard	B	54,-	9,-	63,-
<b>3002, hot-dip galvanized</b>	B	1255,-	174,-	1429,-
Retainer Bar	B	46,-	12,-	58,-
Rotating Support RA 200, hot-dip galvanized	B	93,-	10,-	103,-
Can Stand Type GS, hot-dip galvanized	B	62,-	18,-	80,-
Crash Guard	B	54,-	9,-	63,-
<b>3003, hot-dip galvanized</b>	B	1063,-	174,-	1237,-
Retainer Bar	B	46,-	12,-	58,-
Rotating Support RA 200, hot-dip galvanized	B	93,-	10,-	103,-
Can Stand Type GS, hot-dip galvanized	B	62,-	18,-	80,-
Crash Guard	B	54,-	9,-	63,-
<b>3004, hot-dip galvanized</b>	B	1298,-	124,-	1422,-
Retainer Bar	B	46,-	12,-	58,-
Rotating Support RA 60, hot-dip galvanized	B	93,-	9,-	102,-
Can Stand Type GS, hot-dip galvanized	B	62,-	18,-	80,-
Crash Guard	B	54,-	9,-	63,-
<b>3005, hot-dip galvanized</b>	B	1174,-	124,-	1298,-
Retainer Bar	B	46,-	12,-	58,-
Rotating Support RA 60, hot-dip galvanized	B	93,-	9,-	102,-
Can Stand Type GS, hot-dip galvanized	B	62,-	18,-	80,-
Crash Guard	B	54,-	9,-	63,-
<b>3006, hot-dip galvanized</b>	B	1639,-	225,-	1864,-
Retainer Bar	B	46,-	12,-	58,-
Rotating Support RA 60, hot-dip galvanized	B	93,-	9,-	102,-
Can Stand Type GS, hot-dip galvanized	B	62,-	18,-	80,-
Crash Guard	B	54,-	9,-	63,-
<b>3007, hot-dip galvanized</b>	B	1400,-	174,-	1574,-
Retainer Bar	B	46,-	12,-	58,-
Rotating Support RA 60, hot-dip galvanized	B	93,-	9,-	102,-
Can Stand Type GS, hot-dip galvanized	B	62,-	18,-	80,-
Crash Guard	B	54,-	9,-	63,-
<b>3010, hot-dip galvanized</b>	B	1244,-	174,-	1418,-
Retainer Bar	B	46,-	12,-	58,-
Rotating Support RA 200, hot-dip galvanized	B	93,-	10,-	103,-
Can Stand Type GS, hot-dip galvanized	B	62,-	18,-	80,-
Crash Guard	B	54,-	9,-	63,-
<b>3011, hot-dip galvanized</b>	B	1034,-	174,-	1208,-

Prices in EUR, valid EXW DE-46354 Südlohn, DE-38820 Halberstadt, unpacked  
Freight charges valid CPT Poland, islands and oversea territories excluded

# Price List 0424 en-PL

## Environment / Storage



<b>Drum Shelves with Sump Trays Type SERIES 3000</b>	<b>Category</b>	<b>Price</b>	<b>Freight charges</b>	<b>Price including freight charges</b>
Retainer Bar	B	46,-	12,-	58,-
Rotating Support RA 200, hot-dip galvanized	B	93,-	10,-	103,-
Can Stand Type GS, hot-dip galvanized	B	62,-	18,-	80,-
Crash Guard	B	54,-	9,-	63,-

<b>Small Can Shelves with Sumps Type SERIES 3000</b>	<b>Category</b>	<b>Price</b>	<b>Freight charges</b>	<b>Price including freight charges</b>
<b>3017-4E, galvanized</b>	B	461,-	89,-	550,-
Grid Storage Level, hot dip-galvanized	B	59,-	10,-	69,-
Spill Tray, galvanized	B	96,-	10,-	106,-
Storage level for Drum Shelves	B	33,-	9,-	42,-
<b>3018-4E, galvanized</b>	B	383,-	89,-	472,-
Grid Storage Level, hot dip-galvanized	B	59,-	10,-	69,-
Spill Tray, galvanized	B	96,-	10,-	106,-
Storage level for Drum Shelves	B	33,-	9,-	42,-
<b>3019-4E, galvanized</b>	B	556,-	124,-	680,-
Grid Storage Level, hot dip-galvanized	B	59,-	10,-	69,-
Spill Tray, galvanized	B	96,-	10,-	106,-
Storage level for Drum Shelves	B	33,-	9,-	42,-
<b>3020-4E, galvanized</b>	B	476,-	124,-	600,-
Grid Storage Level, hot dip-galvanized	B	59,-	10,-	69,-
Spill Tray, galvanized	B	96,-	10,-	106,-
Storage level for Drum Shelves	B	33,-	9,-	42,-
<b>3021-4E, galvanized</b>	B	694,-	124,-	818,-
Grid Storage Level, hot dip-galvanized	B	59,-	10,-	69,-
Spill Tray, galvanized	B	96,-	10,-	106,-
Storage level for Drum Shelves	B	33,-	9,-	42,-
<b>3022-4E, galvanized</b>	B	604,-	89,-	693,-
Grid Storage Level, hot dip-galvanized	B	59,-	10,-	69,-
Spill Tray, galvanized	B	96,-	10,-	106,-
Storage level for Drum Shelves	B	33,-	9,-	42,-
<b>3023-4E, galvanized</b>	B	1122,-	174,-	1296,-
Grid Storage Level, hot dip-galvanized	B	59,-	10,-	69,-
Spill Tray, galvanized	B	96,-	10,-	106,-
Storage level for Drum Shelves	B	33,-	9,-	42,-
<b>3024-4E, galvanized</b>	B	935,-	174,-	1109,-
Grid Storage Level, hot dip-galvanized	B	59,-	10,-	69,-
Spill Tray, galvanized	B	96,-	10,-	106,-
Storage level for Drum Shelves	B	33,-	9,-	42,-

<b>Shelves Type AG</b>	<b>Category</b>	<b>Price</b>	<b>Freight charges</b>	<b>Price including freight charges</b>
<b>AG 60-1, hot-dip galvanized</b>	B	108,-	12,-	120,-
<b>AG 60-2, hot-dip galvanized</b>	B	113,-	14,-	127,-
<b>AG 60-3, hot-dip galvanized</b>	B	121,-	15,-	136,-

Prices in EUR, valid EXW DE-46354 Südlohn, DE-38820 Halberstadt, unpacked  
Freight charges valid CPT Poland, islands and oversea territories excluded

# Price List 0424 en-PL

## Environment / Storage



Sump Tray Type AM	Category	Price	Freight charges	Price including freight charges
<b>AM-1, painted</b>	B	323,-	89,-	412,-
<b>AM-1, hot-dip galvanized</b>	B	366,-	89,-	455,-
<b>AM-2, painted</b>	B	357,-	89,-	446,-
Drum Support FA 60-1, hot-dip galvanized	B	105,-	15,-	120,-
Drum Support FA 60-2, hot-dip galvanized	B	114,-	18,-	132,-
Drum Support FA 60-3, hot-dip galvanized	B	133,-	21,-	154,-
Drum Support FA 200-1, hot-dip galvanized	B	114,-	15,-	129,-
Can Shelf Type GR-A, galvanized	B	133,-	50,-	183,-
Can Shelf Type GR-B, galvanized	B	133,-	50,-	183,-
Can Shelf Type GR-C, galvanized	B	133,-	50,-	183,-
<b>AM-2, hot-dip galvanized</b>	B	412,-	89,-	501,-
Drum Support FA 60-1, hot-dip galvanized	B	105,-	15,-	120,-
Drum Support FA 60-2, hot-dip galvanized	B	114,-	18,-	132,-
Drum Support FA 60-3, hot-dip galvanized	B	133,-	21,-	154,-
Drum Support FA 200-1, hot-dip galvanized	B	114,-	15,-	129,-
Can Shelf Type GR-A, galvanized	B	133,-	50,-	183,-
Can Shelf Type GR-B, galvanized	B	133,-	50,-	183,-
Can Shelf Type GR-C, galvanized	B	133,-	50,-	183,-
<b>AM-4/A, painted</b>	B	428,-	89,-	517,-
Drum Support FA 60-1, hot-dip galvanized	B	105,-	15,-	120,-
Drum Support FA 60-2, hot-dip galvanized	B	114,-	18,-	132,-
Drum Support FA 60-3, hot-dip galvanized	B	133,-	21,-	154,-
Drum Support FA 200-1, hot-dip galvanized	B	114,-	15,-	129,-
Drum Support FA 200-2, hot-dip galvanized	B	133,-	22,-	155,-
Can Shelf Type GR-A, galvanized	B	133,-	50,-	183,-
Can Shelf Type GR-B, galvanized	B	133,-	50,-	183,-
Can Shelf Type GR-C, galvanized	B	133,-	50,-	183,-
<b>AM-4/A, hot-dip galvanized</b>	B	482,-	124,-	606,-
Drum Support FA 60-1, hot-dip galvanized	B	105,-	15,-	120,-
Drum Support FA 60-2, hot-dip galvanized	B	114,-	18,-	132,-
Drum Support FA 60-3, hot-dip galvanized	B	133,-	21,-	154,-
Drum Support FA 200-1, hot-dip galvanized	B	114,-	15,-	129,-
Drum Support FA 200-2, hot-dip galvanized	B	133,-	22,-	155,-
Can Shelf Type GR-A, galvanized	B	133,-	50,-	183,-
Can Shelf Type GR-B, galvanized	B	133,-	50,-	183,-
Can Shelf Type GR-C, galvanized	B	133,-	50,-	183,-
<b>AM-4/B, painted</b>	B	514,-	124,-	638,-
Drum Support FA 60-1, hot-dip galvanized	B	105,-	15,-	120,-
Drum Support FA 60-2, hot-dip galvanized	B	114,-	18,-	132,-
Drum Support FA 60-3, hot-dip galvanized	B	133,-	21,-	154,-
Can Shelf Type GR-A, galvanized	B	133,-	50,-	183,-
Can Shelf Type GR-B, galvanized	B	133,-	50,-	183,-
Can Shelf Type GR-C, galvanized	B	133,-	50,-	183,-
<b>AM-4/B, hot-dip galvanized</b>	B	602,-	124,-	726,-
Drum Support FA 60-1, hot-dip galvanized	B	105,-	15,-	120,-
Drum Support FA 60-2, hot-dip galvanized	B	114,-	18,-	132,-

Prices in EUR, valid EXW DE-46354 Südlohn, DE-38820 Halberstadt, unpacked  
Freight charges valid CPT Poland, islands and oversea territories excluded

# Price List 0424 en-PL

## Environment / Storage



Sump Tray Type AM	Category	Price	Freight charges	Price including freight charges
Drum Support FA 60-3, hot-dip galvanized	B	133,-	21,-	154,-
Can Shelf Type GR-A, galvanized	B	133,-	50,-	183,-
Can Shelf Type GR-B, galvanized	B	133,-	50,-	183,-
Can Shelf Type GR-C, galvanized	B	133,-	50,-	183,-

Sump Tray Type AO	Category	Price	Freight charges	Price including freight charges
AO-1, painted	B	282,-	89,-	371,-
AO-1, hot-dip galvanized	B	325,-	89,-	414,-
AO-2, painted	B	299,-	89,-	388,-
AO-2, hot-dip galvanized	B	354,-	89,-	443,-
AO-4/A, painted	B	311,-	89,-	400,-
AO-4/A, hot-dip galvanized	B	365,-	89,-	454,-
AO-4/B, painted	B	398,-	89,-	487,-
AO-4/B, hot-dip galvanized	B	483,-	89,-	572,-

Sump Tray Type AW	Category	Price	Freight charges	Price including freight charges
AW 450, painted	B	619,-	124,-	743,-
AW 450, hot-dip galvanized	B	768,-	124,-	892,-
AW 800, painted	B	644,-	124,-	768,-
AW 800, hot-dip galvanized	B	802,-	124,-	926,-
AW 1000, painted	B	649,-	124,-	773,-
AW 1000, hot-dip galvanized	B	809,-	124,-	933,-
AW 1000-2, painted	B	831,-	225,-	1056,-
AW 1000-2, hot-dip galvanized	B	933,-	225,-	1158,-
AW 1000-3, hot-dip galvanized	B	1585,-	276,-	1861,-
AW 1000-3, painted	B	1472,-	225,-	1697,-
AW 1000-10F, painted	B	997,-	225,-	1222,-
AW 1000-10F, hot-dip galvanized	B	1154,-	225,-	1379,-

Sump Tray Type AW/SW	Category	Price	Freight charges	Price including freight charges
AW 450/SW, painted	B	815,-	124,-	939,-
AW 450/SW, hot-dip galvanized	B	964,-	175,-	1139,-
AW 800/SW, painted	B	839,-	175,-	1014,-
AW 800/SW, hot-dip galvanized	B	997,-	175,-	1172,-
AW 1000/SW, painted	B	844,-	175,-	1019,-
AW 1000/SW, hot-dip galvanized	B	1006,-	175,-	1181,-
AW 1000-2/SW, painted	B	1054,-	225,-	1279,-
AW 1000-2/SW, hot-dip galvanized	B	1155,-	276,-	1431,-
AW 1000-3/SW, painted	B	1726,-	276,-	2002,-
AW 1000-3/SW, hot-dip galvanized	B	2049,-	348,-	2397,-
AW 1000-10F/SW, painted	B	1340,-	276,-	1616,-
AW 1000-10F/SW, hot-dip galvanized	B	1495,-	276,-	1771,-

Mobile Sump Tray AW 60-1 SR	Category	Price	Freight charges	Price including freight charges
AW 60-1 SR, painted	B	314,-	89,-	403,-

Prices in EUR, valid EXW DE-46354 Südlohn, DE-38820 Halberstadt, unpacked  
 Freight charges valid CPT Poland, islands and oversea territories excluded

# Price List 0424 en-PL

## Environment / Storage



Mobile Sump Tray AW 60-1 SR	Category	Price	Freight charges	Price including freight charges
Fixture and Tension belt for 2 x 60 Litre Drums	B	43,-	8,-	51,-
<b>AW 60-1 SR, hot-dip galvanized</b>	B	333,-	89,-	422,-
Fixture and Tension belt for 2 x 60 Litre Drums	B	43,-	8,-	51,-
Mobile Sump Tray AW 60-1 SRF	Category	Price	Freight charges	Price including freight charges
<b>AW 60-1 SRF, painted</b>	B	414,-	89,-	503,-
<b>AW 60-1 SRF, hot-dip galvanized</b>	B	435,-	89,-	524,-
Sump Tray Type AW 60	Category	Price	Freight charges	Price including freight charges
<b>AW 60-1, painted</b>	B	170,-	50,-	220,-
Grid GR 60-1, hot-dip galvanized	B	22,-	8,-	30,-
Drum Support FA 60-A for Drum Shelf AG 60, galvanized	B	24,-	8,-	32,-
Rotating Support RA 60-A, hot-dip galvanized	B	93,-	9,-	102,-
<b>AG 60-1, hot-dip galvanized</b>	B	108,-	12,-	120,-
Canister Stand AB, galvanized	B	18,-	8,-	26,-
Castor Set, polyamide, Load capacity 375 kg / castor set	B	83,-	15,-	98,-
<b>AW 60-1, hot-dip galvanized</b>	B	182,-	50,-	232,-
Grid GR 60-1, hot-dip galvanized	B	22,-	8,-	30,-
Drum Support FA 60-A for Drum Shelf AG 60, galvanized	B	24,-	8,-	32,-
Rotating Support RA 60-A, hot-dip galvanized	B	93,-	9,-	102,-
<b>AG 60-1, hot-dip galvanized</b>	B	108,-	12,-	120,-
Canister Stand AB, galvanized	B	18,-	8,-	26,-
Castor Set, polyamide, Load capacity 375 kg / castor set	B	83,-	15,-	98,-
<b>AW 60-2, painted</b>	B	171,-	89,-	260,-
Grid GR 60-2, hot-dip galvanized	B	26,-	12,-	38,-
Drum Support FA 60-A for Drum Shelf AG 60, galvanized	B	24,-	8,-	32,-
Rotating Support RA 60-A, hot-dip galvanized	B	93,-	9,-	102,-
<b>AG 60-2, hot-dip galvanized</b>	B	113,-	14,-	127,-
Canister Stand AB, galvanized	B	18,-	8,-	26,-
Castor Set, polyamide, Load capacity 375 kg / castor set	B	83,-	15,-	98,-
<b>AW 60-2, hot-dip galvanized</b>	B	188,-	89,-	277,-
Grid GR 60-2, hot-dip galvanized	B	26,-	12,-	38,-
Drum Support FA 60-A for Drum Shelf AG 60, galvanized	B	24,-	8,-	32,-
Rotating Support RA 60-A, hot-dip galvanized	B	93,-	9,-	102,-
<b>AG 60-2, hot-dip galvanized</b>	B	113,-	14,-	127,-
Canister Stand AB, galvanized	B	18,-	8,-	26,-
Castor Set, polyamide, Load capacity 375 kg / castor set	B	83,-	15,-	98,-
<b>AW 60-3, painted</b>	B	186,-	89,-	275,-
Grid GR 60-3, hot-dip galvanized	B	38,-	14,-	52,-
Drum Support FA 60-A for Drum Shelf AG 60, galvanized	B	24,-	8,-	32,-
Rotating Support RA 60-A, hot-dip galvanized	B	93,-	9,-	102,-
<b>AG 60-3, hot-dip galvanized</b>	B	121,-	15,-	136,-
Canister Stand AB, galvanized	B	18,-	8,-	26,-
Castor Set, polyamide, Load capacity 375 kg / castor set	B	83,-	15,-	98,-
<b>AW 60-3, hot-dip galvanized</b>	B	209,-	89,-	298,-

Prices in EUR, valid EXW DE-46354 Südlohn, DE-38820 Halberstadt, unpacked  
Freight charges valid CPT Poland, islands and oversea territories excluded

# Price List 0424 en-PL

## Environment / Storage



Sump Tray Type AW 60	Category	Price	Freight charges	Price including freight charges
Grid GR 60-3, hot-dip galvanized	B	38,-	14,-	52,-
Drum Support FA 60-A for Drum Shelf AG 60, galvanized	B	24,-	8,-	32,-
Rotating Support RA 60-A, hot-dip galvanized	B	93,-	9,-	102,-
<b>AG 60-3, hot-dip galvanized</b>	B	121,-	15,-	136,-
Canister Stand AB, galvanized	B	18,-	8,-	26,-
Castor Set, polyamide, Load capacity 375 kg / castor set	B	83,-	15,-	98,-
Sump Tray Type AW 60/M	Category	Price	Freight charges	Price including freight charges
<b>AW 60-1/M, painted</b>	B	189,-	89,-	278,-
Drum Support FA 60-A for Drum Shelf AG 60, galvanized	B	24,-	8,-	32,-
Rotating Support RA 60-A, hot-dip galvanized	B	93,-	9,-	102,-
<b>AG 60-1, hot-dip galvanized</b>	B	108,-	12,-	120,-
Canister Stand AB, galvanized	B	18,-	8,-	26,-
Castor Set, polyamide, Load capacity 375 kg / castor set	B	83,-	15,-	98,-
<b>AW 60-1/M, hot-dip galvanized</b>	B	203,-	89,-	292,-
Drum Support FA 60-A for Drum Shelf AG 60, galvanized	B	24,-	8,-	32,-
Rotating Support RA 60-A, hot-dip galvanized	B	93,-	9,-	102,-
<b>AG 60-1, hot-dip galvanized</b>	B	108,-	12,-	120,-
Canister Stand AB, galvanized	B	18,-	8,-	26,-
Castor Set, polyamide, Load capacity 375 kg / castor set	B	83,-	15,-	98,-
<b>AW 60-2/M, painted</b>	B	196,-	89,-	285,-
Drum Support FA 60-A for Drum Shelf AG 60, galvanized	B	24,-	8,-	32,-
Drum Support FA 60-2, hot-dip galvanized	B	114,-	18,-	132,-
Rotating Support RA 60-A, hot-dip galvanized	B	93,-	9,-	102,-
<b>AG 60-2, hot-dip galvanized</b>	B	113,-	14,-	127,-
Canister Stand AB, galvanized	B	18,-	8,-	26,-
Castor Set, polyamide, Load capacity 375 kg / castor set	B	83,-	15,-	98,-
<b>AW 60-2/M, hot-dip galvanized</b>	B	213,-	89,-	302,-
Drum Support FA 60-A for Drum Shelf AG 60, galvanized	B	24,-	8,-	32,-
Drum Support FA 60-2, hot-dip galvanized	B	114,-	18,-	132,-
Rotating Support RA 60-A, hot-dip galvanized	B	93,-	9,-	102,-
<b>AG 60-2, hot-dip galvanized</b>	B	113,-	14,-	127,-
Canister Stand AB, galvanized	B	18,-	8,-	26,-
Castor Set, polyamide, Load capacity 375 kg / castor set	B	83,-	15,-	98,-
<b>AW 60-3/M, painted</b>	B	224,-	89,-	313,-
Drum Support FA 60-A for Drum Shelf AG 60, galvanized	B	24,-	8,-	32,-
Drum Support FA 60-2, hot-dip galvanized	B	114,-	18,-	132,-
Drum Support FA 60-3, hot-dip galvanized	B	133,-	21,-	154,-
Rotating Support RA 60-A, hot-dip galvanized	B	93,-	9,-	102,-
<b>AG 60-3, hot-dip galvanized</b>	B	121,-	15,-	136,-
Canister Stand AB, galvanized	B	18,-	8,-	26,-
Castor Set, polyamide, Load capacity 375 kg / castor set	B	83,-	15,-	98,-
<b>AW 60-3/M, hot-dip galvanized</b>	B	245,-	89,-	334,-
Drum Support FA 60-A for Drum Shelf AG 60, galvanized	B	24,-	8,-	32,-
Drum Support FA 60-2, hot-dip galvanized	B	114,-	18,-	132,-
Drum Support FA 60-3, hot-dip galvanized	B	133,-	21,-	154,-

Prices in EUR, valid EXW DE-46354 Südlohn, DE-38820 Halberstadt, unpacked  
Freight charges valid CPT Poland, islands and oversea territories excluded

# Price List 0424 en-PL

## Environment / Storage



Sump Tray Type AW 60/M	Category	Price	Freight charges	Price including freight charges
Rotating Support RA 60-A, hot-dip galvanized	B	93,-	9,-	102,-
<b>AG 60-3, hot-dip galvanized</b>	B	121,-	15,-	136,-
Canister Stand AB, galvanized	B	18,-	8,-	26,-
Castor Set, polyamide, Load capacity 375 kg / castor set	B	83,-	15,-	98,-

Sump Tray Type AW/PE	Category	Price	Freight charges	Price including freight charges
<b>AW-1/PE, painted</b>	B	635,-	89,-	724,-
<b>AW-1/PE, hot-dip galvanized</b>	B	664,-	89,-	753,-
<b>AW-2/PE, painted</b>	B	696,-	89,-	785,-
Drum Support FA 60-1, hot-dip galvanized	B	105,-	15,-	120,-
Drum Support FA 60-2, hot-dip galvanized	B	114,-	18,-	132,-
Drum Support FA 60-3, hot-dip galvanized	B	133,-	21,-	154,-
Drum Support FA 200-1, hot-dip galvanized	B	114,-	15,-	129,-
Can Shelf Type GR-A, galvanized	B	133,-	50,-	183,-
Can Shelf Type GR-B, galvanized	B	133,-	50,-	183,-
Can Shelf Type GR-C, galvanized	B	133,-	50,-	183,-
<b>AW-2/PE, hot-dip galvanized</b>	B	731,-	89,-	820,-
Drum Support FA 60-1, hot-dip galvanized	B	105,-	15,-	120,-
Drum Support FA 60-2, hot-dip galvanized	B	114,-	18,-	132,-
Drum Support FA 60-3, hot-dip galvanized	B	133,-	21,-	154,-
Drum Support FA 200-1, hot-dip galvanized	B	114,-	15,-	129,-
Can Shelf Type GR-A, galvanized	B	133,-	50,-	183,-
Can Shelf Type GR-B, galvanized	B	133,-	50,-	183,-
Can Shelf Type GR-C, galvanized	B	133,-	50,-	183,-
<b>AW-4/A/PE, painted</b>	B	790,-	124,-	914,-
Drum Support FA 60-1, hot-dip galvanized	B	105,-	15,-	120,-
Drum Support FA 60-2, hot-dip galvanized	B	114,-	18,-	132,-
Drum Support FA 60-3, hot-dip galvanized	B	133,-	21,-	154,-
Drum Support FA 200-1, hot-dip galvanized	B	114,-	15,-	129,-
Drum Support FA 200-2, hot-dip galvanized	B	133,-	22,-	155,-
Can Shelf Type GR-A, galvanized	B	133,-	50,-	183,-
Can Shelf Type GR-B, galvanized	B	133,-	50,-	183,-
Can Shelf Type GR-C, galvanized	B	133,-	50,-	183,-
<b>AW-4/A/PE, hot-dip galvanized</b>	B	829,-	124,-	953,-
Drum Support FA 60-1, hot-dip galvanized	B	105,-	15,-	120,-
Drum Support FA 60-2, hot-dip galvanized	B	114,-	18,-	132,-
Drum Support FA 60-3, hot-dip galvanized	B	133,-	21,-	154,-
Drum Support FA 200-1, hot-dip galvanized	B	114,-	15,-	129,-
Drum Support FA 200-2, hot-dip galvanized	B	133,-	22,-	155,-
Can Shelf Type GR-A, galvanized	B	133,-	50,-	183,-
Can Shelf Type GR-B, galvanized	B	133,-	50,-	183,-
Can Shelf Type GR-C, galvanized	B	133,-	50,-	183,-
<b>AW-4/B/PE, painted</b>	B	986,-	174,-	1160,-
Drum Support FA 60-1, hot-dip galvanized	B	105,-	15,-	120,-
Drum Support FA 60-2, hot-dip galvanized	B	114,-	18,-	132,-
Drum Support FA 60-3, hot-dip galvanized	B	133,-	21,-	154,-

Prices in EUR, valid EXW DE-46354 Südlohn, DE-38820 Halberstadt, unpacked  
Freight charges valid CPT Poland, islands and oversea territories excluded

# Price List 0424 en-PL

## Environment / Storage



Sump Tray Type AW/PE	Category	Price	Freight charges	Price including freight charges
Can Shelf Type GR-A, galvanized	B	133,-	50,-	183,-
Can Shelf Type GR-B, galvanized	B	133,-	50,-	183,-
Can Shelf Type GR-C, galvanized	B	133,-	50,-	183,-
<b>AW-4/B/PE, hot-dip galvanized</b>	B	1058,-	174,-	1232,-
Drum Support FA 60-1, hot-dip galvanized	B	105,-	15,-	120,-
Drum Support FA 60-2, hot-dip galvanized	B	114,-	18,-	132,-
Drum Support FA 60-3, hot-dip galvanized	B	133,-	21,-	154,-
Can Shelf Type GR-A, galvanized	B	133,-	50,-	183,-
Can Shelf Type GR-B, galvanized	B	133,-	50,-	183,-
Can Shelf Type GR-C, galvanized	B	133,-	50,-	183,-
<b>AW 1000/PE, painted</b>	B	1339,-	175,-	1514,-
<b>AW 1000/PE, hot-dip galvanized</b>	B	1521,-	175,-	1696,-
<b>AW 1000-2/PE, painted</b>	B	1642,-	225,-	1867,-
<b>AW 1000-2/PE, hot-dip galvanized</b>	B	1756,-	225,-	1981,-

Sump Trays AW 8-12	Category	Price	Freight charges	Price including freight charges
AW-8, painted	B	707,-	174,-	881,-
AW-8, hot-dip galvanized	B	787,-	225,-	1012,-
AW-10, painted	B	873,-	225,-	1098,-
AW-10, hot-dip galvanized	B	1197,-	225,-	1422,-
AW-12, painted	B	1000,-	225,-	1225,-
AW-12, hot-dip galvanized	B	1382,-	225,-	1607,-

Sump Tray Type AWA	Category	Price	Freight charges	Price including freight charges
AWA 1000, painted	B	834,-	124,-	958,-
AWA 1000, hot-dip galvanized	B	1009,-	175,-	1184,-
AWA 1000-2, painted	B	1197,-	225,-	1422,-
AWA 1000-2, hot-dip galvanized	B	1327,-	225,-	1552,-
AWA 1000-3, painted	B	2177,-	276,-	2453,-
AWA 1000-3, hot-dip galvanized	B	2304,-	348,-	2652,-
AWA 21, painted	B	1012,-	225,-	1237,-
AWA 21, hot-dip galvanized	B	1142,-	225,-	1367,-
AWA 31, painted	B	1889,-	276,-	2165,-
AWA 31, hot-dip galvanized	B	2006,-	276,-	2282,-
AWA 32, painted	B	2055,-	276,-	2331,-
AWA 32, hot-dip galvanized	B	2173,-	276,-	2449,-

Sump Tray Type AWA/SW	Category	Price	Freight charges	Price including freight charges
AWA 1000/SW, painted	B	1028,-	175,-	1203,-
AWA 1000/SW, hot-dip galvanized	B	1203,-	175,-	1378,-
AWA 1000-2/SW, painted	B	1422,-	276,-	1698,-
AWA 1000-2/SW, hot-dip galvanized	B	1550,-	276,-	1826,-
AWA 1000-3/SW, painted	B	2432,-	348,-	2780,-
AWA 1000-3/SW, hot-dip galvanized	B	2558,-	348,-	2906,-
AWA 21/SW, painted	B	1234,-	276,-	1510,-

Prices in EUR, valid EXW DE-46354 Südlohn, DE-38820 Halberstadt, unpacked  
Freight charges valid CPT Poland, islands and oversea territories excluded



# Price List 0424 en-PL

## Environment / Storage



Sump Tray Type AWA/SW	Category	Price	Freight charges	Price including freight charges
AWA 21/SW, hot-dip galvanized	B	1365,-	276,-	1641,-
AWA 31/SW, painted	B	2142,-	348,-	2490,-
AWA 31/SW, hot-dip galvanized	B	2259,-	348,-	2607,-
AWA 32/SW, painted	B	2307,-	348,-	2655,-
AWA 32/SW, hot-dip galvanized	B	2427,-	348,-	2775,-

Sump Tray Type AW-F	Category	Price	Freight charges	Price including freight charges
AW-F 1, painted	B	634,-	89,-	723,-
Fixture and Tension Belt for 1 x 200 Litre Drum	B	46,-	9,-	55,-
AW-F 1, hot-dip galvanized	B	753,-	89,-	842,-
Fixture and Tension Belt for 1 x 200 Litre Drum	B	46,-	9,-	55,-
AW-F 2, painted	B	664,-	89,-	753,-
Fixture and Tension Belt for 2 x 200 Litre Drums	B	46,-	9,-	55,-
AW-F 2, hot-dip galvanized	B	813,-	89,-	902,-
Fixture and Tension Belt for 2 x 200 Litre Drums	B	46,-	9,-	55,-

Ground Protection Spill Tray Type BSW	Category	Price	Freight charges	Price including freight charges
BSW 21, galvanized	B	433,-	124,-	557,-
Access Ramp AR 21, galvanized	B	160,-	22,-	182,-
Access Corner Piece AE 24, galvanized	B	125,-	10,-	135,-
Cross-Shaped Connector KV 24, galvanized	B	19,-	8,-	27,-
Tray Connecting Strip WV 21, galvanized	B	21,-	8,-	29,-
BSW 22, galvanized	B	570,-	124,-	694,-
Access Ramp AR 21, galvanized	B	160,-	22,-	182,-
Access Ramp AR 22, galvanized	B	203,-	32,-	235,-
Access Corner Piece AE 24, galvanized	B	125,-	10,-	135,-
Cross-Shaped Connector KV 24, galvanized	B	19,-	8,-	27,-
Tray Connecting Strip WV 21, galvanized	B	21,-	8,-	29,-
Tray Connecting Strip WV 22, galvanized	B	23,-	8,-	31,-
BSW 23, galvanized	B	738,-	150,-	888,-
Access Ramp AR 23, galvanized	B	289,-	139,-	428,-
Access Ramp AR 21, galvanized	B	160,-	22,-	182,-
Access Corner Piece AE 24, galvanized	B	125,-	10,-	135,-
Cross-Shaped Connector KV 24, galvanized	B	19,-	8,-	27,-
Tray Connecting Strip WV 21, galvanized	B	21,-	8,-	29,-
Tray Connecting Strip WV 23, galvanized	B	35,-	9,-	44,-
BSW 24, galvanized	B	1295,-	191,-	1486,-
Access Ramp AR 23, galvanized	B	289,-	139,-	428,-
Access Ramp AR 22, galvanized	B	203,-	32,-	235,-
Access Corner Piece AE 24, galvanized	B	125,-	10,-	135,-
Cross-Shaped Connector KV 24, galvanized	B	19,-	8,-	27,-
Tray Connecting Strip WV 22, galvanized	B	23,-	8,-	31,-
Tray Connecting Strip WV 23, galvanized	B	35,-	9,-	44,-
BSW 121, galvanized	B	192,-	50,-	242,-
Access Ramp AR 121, galvanized	B	157,-	22,-	179,-

Prices in EUR, valid EXW DE-46354 Südlohn, DE-38820 Halberstadt, unpacked  
 Freight charges valid CPT Poland, islands and oversea territories excluded

# Price List 0424 en-PL

## Environment / Storage



Ground Protection Spill Tray Type BSW	Category	Price	Freight charges	Price including freight charges
Cross-Shaped Connector KV 24, galvanized	B	19,-	8,-	27,-
Tray Connecting Strip WV 121, galvanized	B	20,-	9,-	29,-
<b>BSW 122, galvanized</b>	B	234,-	89,-	323,-
Access Ramp AR 121, galvanized	B	157,-	22,-	179,-
Access Ramp AR 122, galvanized	B	265,-	36,-	301,-
Access Corner Piece AE 124, galvanized	B	252,-	21,-	273,-
Cross-Shaped Connector KV 24, galvanized	B	19,-	8,-	27,-
Tray Connecting Strip WV 121, galvanized	B	20,-	9,-	29,-
Tray Connecting Strip WV 122, galvanized	B	25,-	9,-	34,-
<b>BSW 123, galvanized</b>	B	327,-	89,-	416,-
Access Ramp AR 122, galvanized	B	265,-	36,-	301,-
Access Corner Piece AE 124, galvanized	B	252,-	21,-	273,-
Cross-Shaped Connector KV 24, galvanized	B	19,-	8,-	27,-
Tray Connecting Strip WV 122, galvanized	B	25,-	9,-	34,-
<b>BSW 124, galvanized</b>	B	534,-	124,-	658,-
Access Ramp AR 122, galvanized	B	265,-	36,-	301,-
Access Ramp AR 123, galvanized	B	326,-	124,-	450,-
Access Corner Piece AE 124, galvanized	B	252,-	21,-	273,-
Cross-Shaped Connector KV 24, galvanized	B	19,-	8,-	27,-
Tray Connecting Strip WV 122, galvanized	B	25,-	9,-	34,-
Tray Connecting Strip WV 123, galvanized	B	34,-	9,-	43,-
<b>BSW 125, galvanized</b>	B	411,-	174,-	585,-
Access Ramp AR 121, galvanized	B	157,-	22,-	179,-
Access Ramp AR 124, galvanized	B	378,-	174,-	552,-
Access Corner Piece AE 124, galvanized	B	252,-	21,-	273,-
Cross-Shaped Connector KV 24, galvanized	B	19,-	8,-	27,-
Tray Connecting Strip WV 121, galvanized	B	20,-	9,-	29,-
Tray Connecting Strip WV 124, galvanized	B	47,-	9,-	56,-
<b>BSW 126, galvanized</b>	B	645,-	225,-	870,-
Access Ramp AR 122, galvanized	B	265,-	36,-	301,-
Access Ramp AR 124, galvanized	B	378,-	174,-	552,-
Access Corner Piece AE 124, galvanized	B	252,-	21,-	273,-
Cross-Shaped Connector KV 24, galvanized	B	19,-	8,-	27,-
Tray Connecting Strip WV 122, galvanized	B	25,-	9,-	34,-
Tray Connecting Strip WV 124, galvanized	B	47,-	9,-	56,-
Polyethylene Bunded Spill Flooring Type BWP-PE	Category	Price	Freight charges	Price including freight charges
<b>BWP-PE 150, made of robust polyethylene</b>	B	305,-	89,-	394,-
Ramp Type BWR, robust polyethylene, black	B	214,-	12,-	226,-
Joining Element BWV 2, stainless steel 1.4301	B	28,-	9,-	37,-
<b>BWP-PE 300, made of robust polyethylene</b>	B	619,-	89,-	708,-
Ramp Type BWR, robust polyethylene, black	B	214,-	12,-	226,-
Joining Element BWV 4, stainless steel 1.4301	B	36,-	10,-	46,-

Prices in EUR, valid EXW DE-46354 Südlohn, DE-38820 Halberstadt, unpacked  
Freight charges valid CPT Poland, islands and oversea territories excluded

# Price List 0424 en-PL

## Environment / Storage



Polyethylene Bunded Spill Flooring Type BWPS-PE	Category	Price	Freight charges	Price including freight charges
BWPS-PE 300, made of robust polyethylene	B	759,-	139,-	898,-
Ramp Type BWR, robust polyethylene, black	B	214,-	12,-	226,-
Joining Element BWV 2, stainless steel 1.4301	B	28,-	9,-	37,-

Shelf Container Type CEH	Category	Price	Freight charges	Price including freight charges
CEH 29-2, painted	C	8832,-	on request	on request
CEH 29-2 IBC, painted	C	9735,-	on request	on request
CEH 36-2 IBC, painted	C	11330,-	on request	on request
CEH 38-2, painted	C	11322,-	on request	on request
CEH 59-2, painted	C	16765,-	on request	on request
CEH 59-2 IBC, painted	C	17999,-	on request	on request
CEH 75-2 IBC, painted	C	21334,-	on request	on request
CEH 81-2, painted	C	21762,-	on request	on request

Shelf Container Type CEN	Category	Price	Freight charges	Price including freight charges
CEN 29-2, painted	C	7453,-	on request	on request
Potential equalisation	C	177,-	0,-	177,-
CEN 29-2 IBC, painted	C	8136,-	on request	on request
Potential equalisation	C	177,-	0,-	177,-
CEN 29-2b, painted	C	12990,-	on request	on request
Potential equalisation	C	353,-	0,-	353,-
CEN 29-2b IBC, painted	C	13892,-	on request	on request
Potential equalisation	C	353,-	0,-	353,-
CEN 29-3, painted	C	11729,-	on request	on request
Potential equalisation	C	264,-	0,-	264,-
CEN 29-3 IBC, painted	C	12480,-	on request	on request
Potential equalisation	C	264,-	0,-	264,-
CEN 29-3b, painted	C	19088,-	on request	on request
Potential equalisation	C	527,-	0,-	527,-
CEN 29-3b IBC, painted	C	20156,-	on request	on request
Potential equalisation	C	527,-	0,-	527,-
CEN 33-2 IBC, painted	C	9075,-	on request	on request
Potential equalisation	C	177,-	0,-	177,-
CEN 33-2b IBC, painted	C	15207,-	on request	on request
Potential equalisation	C	353,-	0,-	353,-
CEN 33-3 IBC, painted	C	13380,-	on request	on request
Potential equalisation	C	264,-	0,-	264,-
CEN 33-3b IBC, painted	C	21273,-	on request	on request
Potential equalisation	C	527,-	0,-	527,-
CEN 36-2, painted	C	9149,-	on request	on request
Potential equalisation	C	177,-	0,-	177,-
CEN 36-2b, painted	C	15565,-	on request	on request
Potential equalisation	C	353,-	0,-	353,-
CEN 36-3, painted	C	13571,-	on request	on request
Potential equalisation	C	264,-	0,-	264,-

Prices in EUR, valid EXW DE-46354 Südlohn, DE-38820 Halberstadt, unpacked  
 Freight charges valid CPT Poland, islands and oversea territories excluded

# Price List 0424 en-PL

## Environment / Storage



Shelf Container Type CEN	Category	Price	Freight charges	Price including freight charges
<b>CEN 36-3b, painted</b>	C	21925,-	on request	on request
Potential equalisation	C	527,-	0,-	527,-
<b>CEN 59-2, painted</b>	C	12340,-	on request	on request
Potential equalisation	C	352,-	0,-	352,-
<b>CEN 59-2 IBC, painted</b>	C	13446,-	on request	on request
Potential equalisation	C	352,-	0,-	352,-
<b>CEN 59-2b, painted</b>	C	21238,-	on request	on request
Potential equalisation	C	704,-	0,-	704,-
<b>CEN 59-2b IBC, painted</b>	C	21984,-	on request	on request
Potential equalisation	C	704,-	0,-	704,-
<b>CEN 59-3, painted</b>	C	18998,-	on request	on request
Potential equalisation	C	526,-	0,-	526,-
<b>CEN 59-3 IBC, painted</b>	C	20108,-	on request	on request
Potential equalisation	C	526,-	0,-	526,-
<b>CEN 59-3b, painted</b>	C	30667,-	on request	on request
Potential equalisation	C	1052,-	0,-	1052,-
<b>CEN 59-3b IBC, painted</b>	C	32274,-	on request	on request
Potential equalisation	C	1052,-	0,-	1052,-
<b>CEN 65-2 IBC, painted</b>	C	14494,-	on request	on request
Potential equalisation	C	352,-	0,-	352,-
<b>CEN 65-2b IBC, painted</b>	C	24443,-	on request	on request
Potential equalisation	C	704,-	0,-	704,-
<b>CEN 65-3 IBC, painted</b>	C	21255,-	on request	on request
Potential equalisation	C	526,-	0,-	526,-
<b>CEN 65-3b IBC, painted</b>	C	34704,-	on request	on request
Potential equalisation	C	1052,-	0,-	1052,-
<b>CEN 75-2, painted</b>	C	15462,-	on request	on request
Potential equalisation	C	352,-	0,-	352,-
<b>CEN 75-2b, painted</b>	C	25589,-	on request	on request
Potential equalisation	C	704,-	0,-	704,-
<b>CEN 75-3, painted</b>	C	22305,-	on request	on request
Potential equalisation	C	526,-	0,-	526,-
<b>CEN 75-3b, painted</b>	C	36212,-	on request	on request
Potential equalisation	C	1052,-	0,-	1052,-
<b>CEN 81-2, painted</b>	C	16220,-	on request	on request
Potential equalisation	C	352,-	0,-	352,-
<b>CEN 81-2b, painted</b>	C	26755,-	on request	on request
Potential equalisation	C	704,-	0,-	704,-
<b>CEN 81-3, painted</b>	C	23356,-	on request	on request
Potential equalisation	C	526,-	0,-	526,-
<b>CEN 81-3b, painted</b>	C	37796,-	on request	on request
Potential equalisation	C	1052,-	0,-	1052,-
<b>Sump Tray for Skips Type CW</b>	<b>Category</b>	<b>Price</b>	<b>Freight charges</b>	<b>Price including freight charges</b>
<b>CW 1, painted</b>	B	2852,-	on request	on request
<b>CW 2, painted</b>	B	3116,-	on request	on request

Prices in EUR, valid EXW DE-46354 Südlohn, DE-38820 Halberstadt, unpacked  
Freight charges valid CPT Poland, islands and oversea territories excluded

# Price List 0424 en-PL

## Environment / Storage



Sump Tray for Skips Type CW	Category	Price	Freight charges	Price including freight charges
CW 3, painted	B	3596,-	on request	on request

Sump Tray Type ECO	Category	Price	Freight charges	Price including freight charges
ECO 1/200, painted	B	237,-	89,-	326,-
ECO 1/200, hot-dip galvanized	B	247,-	89,-	336,-
ECO 2/200, painted	B	252,-	89,-	341,-
ECO 2/200, hot-dip galvanized	B	260,-	89,-	349,-
ECO 4/200, painted	B	275,-	89,-	364,-
ECO 4/200, hot-dip galvanized	B	286,-	89,-	375,-
ECO 4/400, painted	B	342,-	89,-	431,-
ECO 4/400, hot-dip galvanized	B	357,-	89,-	446,-
ECO 1/1000, painted	B	610,-	124,-	734,-
ECO 1/1000, hot-dip galvanized	B	733,-	124,-	857,-
ECO 2/1000, painted	B	798,-	174,-	972,-
ECO 2/1000, hot-dip galvanized	B	884,-	174,-	1058,-

Sump Tray Type ECO-A	Category	Price	Freight charges	Price including freight charges
ECO-A 1/1000, painted	B	802,-	124,-	926,-
ECO-A 1/1000, hot-dip galvanized	B	938,-	124,-	1062,-
ECO-A 2/1000, painted	B	1179,-	225,-	1404,-
ECO-A 2/1000, hot-dip galvanized	B	1295,-	225,-	1520,-

Sump Tray Type ECO-S	Category	Price	Freight charges	Price including freight charges
ECO-S 2/200, hot-dip galvanized	B	3330,-	315,-	3645,-
ECO-S 4/200, hot-dip galvanized	B	3915,-	480,-	4395,-
ECO-S 4/400, hot-dip galvanized	B	4830,-	480,-	5310,-

Suspended Sump with Polyethylene Inlay Type EHW PE	Category	Price	Freight charges	Price including freight charges
EHW 1800 PE, painted	B	878,-	124,-	1002,-
EHW 1800 PE, hot-dip galvanized	B	890,-	124,-	1014,-
EHW 2200 PE, painted	B	953,-	124,-	1077,-
EHW 2200 PE, hot-dip galvanized	B	993,-	124,-	1117,-
EHW 2700 PE, painted	B	1105,-	225,-	1330,-
EHW 2700 PE, hot-dip galvanized	B	1170,-	225,-	1395,-
EHW 3300 PE, painted	B	1597,-	225,-	1822,-
EHW 3300 PE, hot-dip galvanized	B	1668,-	225,-	1893,-

Suspended Sump Type EHW	Category	Price	Freight charges	Price including freight charges
EHW 1800, painted	B	491,-	124,-	615,-
EHW 1800, hot-dip galvanized	B	503,-	124,-	627,-
EHW 2200, painted	B	544,-	124,-	668,-
EHW 2200, hot-dip galvanized	B	584,-	124,-	708,-
EHW 2700, painted	B	626,-	174,-	800,-
EHW 2700, hot-dip galvanized	B	692,-	174,-	866,-
EHW 3300, painted	B	968,-	225,-	1193,-

Prices in EUR, valid EXW DE-46354 Südlohn, DE-38820 Halberstadt, unpacked  
 Freight charges valid CPT Poland, islands and oversea territories excluded

# Price List 0424 en-PL

## Environment / Storage



Suspended Sump Type EHW	Category	Price	Freight charges	Price including freight charges
EHW 3300, hot-dip galvanized	B	1039,-	225,-	1264,-
EHW 3600, painted	B	1014,-	225,-	1239,-
EHW 3600, hot-dip galvanized	B	1092,-	225,-	1317,-
Drum Pallet Type FP	Category	Price	Freight charges	Price including freight charges
FP 2, hot-dip galvanized	B	88,-	89,-	177,-
Drum Shelve Type FR	Category	Price	Freight charges	Price including freight charges
FR-1, hot-dip galvanized	B	283,-	89,-	372,-
Can Stand Type GS, hot-dip galvanized	B	62,-	18,-	80,-
Clip-on Rotating Support, galvanized	B	82,-	10,-	92,-
FR-2, hot-dip galvanized	B	362,-	89,-	451,-
Can Stand Type GS, hot-dip galvanized	B	62,-	18,-	80,-
Clip-on Rotating Support, galvanized	B	82,-	10,-	92,-
FR-3, hot-dip galvanized	B	404,-	89,-	493,-
Can Stand Type GS, hot-dip galvanized	B	62,-	18,-	80,-
Rotating Support RA 60, hot-dip galvanized	B	93,-	9,-	102,-
Sump Tray Type FRA	Category	Price	Freight charges	Price including freight charges
FRA-1, painted	B	299,-	89,-	388,-
Grid, hot-dip galvanized	B	64,-	16,-	80,-
FRA-1, hot-dip galvanized	B	354,-	89,-	443,-
Grid, hot-dip galvanized	B	64,-	16,-	80,-
FRA-2, painted	B	311,-	89,-	400,-
Grid, hot-dip galvanized	B	127,-	24,-	151,-
FRA-2, hot-dip galvanized	B	365,-	89,-	454,-
Grid, hot-dip galvanized	B	127,-	24,-	151,-
FRA-3, painted	B	311,-	89,-	400,-
Grid, hot-dip galvanized	B	127,-	24,-	151,-
FRA-3, hot-dip galvanized	B	365,-	89,-	454,-
Grid, hot-dip galvanized	B	127,-	24,-	151,-
Drum Shelf Type FRE/M	Category	Price	Freight charges	Price including freight charges
FRE-1/M, hot-dip galvanized	B	217,-	21,-	238,-
Clip-on Rotating Support, galvanized	B	82,-	10,-	92,-
Can Stand Type GS, hot-dip galvanized	B	62,-	18,-	80,-
FRE-2/M, hot-dip galvanized	B	252,-	22,-	274,-
Clip-on Rotating Support, galvanized	B	82,-	10,-	92,-
Can Stand Type GS, hot-dip galvanized	B	62,-	18,-	80,-
FRE-3/M, hot-dip galvanized	B	269,-	27,-	296,-
Rotating Support RA 60, hot-dip galvanized	B	93,-	9,-	102,-
Can Stand Type GS, hot-dip galvanized	B	62,-	18,-	80,-
Can Shelf Type FRE-G/M	Category	Price	Freight charges	Price including freight charges
FRE-G1/M, hot-dip galvanized	B	228,-	27,-	255,-

Prices in EUR, valid EXW DE-46354 Südlohn, DE-38820 Halberstadt, unpacked  
Freight charges valid CPT Poland, islands and oversea territories excluded

# Price List 0424 en-PL

## Environment / Storage



Can Shelf Type FRE-G/M	Category	Price	Freight charges	Price including freight charges
FRE-G2/M, hot-dip galvanized	B	264,-	32,-	296,-

Can Shelf for Small Cans Type FRG	Category	Price	Freight charges	Price including freight charges
FRG, hot-dip galvanized	B	368,-	89,-	457,-

Drum Stacking Pallet Type FSP-D	Category	Price	Freight charges	Price including freight charges
FSP-1 D, lackiert	B	816,-	124,-	940,-
FSP-1 D, hot-dip galvanized	B	1068,-	124,-	1192,-
FSP-2 D, lackiert	B	870,-	124,-	994,-
FSP-2 D, hot-dip galvanized	B	1180,-	124,-	1304,-
FSP-4 D, lackiert	B	1130,-	124,-	1254,-
FSP-4 D, hot-dip galvanized	B	1560,-	124,-	1684,-

Drum Stacking Pallet Type FSP-G	Category	Price	Freight charges	Price including freight charges
FSP-1 G, lackiert	B	793,-	124,-	917,-
FSP-1 G, hot-dip galvanized	B	1052,-	124,-	1176,-
FSP-2 G, painted	B	849,-	124,-	973,-
FSP-2 G, hot-dip galvanized	B	1156,-	124,-	1280,-
FSP-4 G, painted	B	1109,-	175,-	1284,-
FSP-4 G, hot-dip galvanized	B	1533,-	175,-	1708,-

Drum Stacking Pallet Type FSP	Category	Price	Freight charges	Price including freight charges
FSP-1, painted	B	467,-	89,-	556,-
FSP-1, hot-dip galvanized	B	702,-	124,-	826,-
FSP-2, painted	B	632,-	124,-	756,-
FSP-2, hot-dip galvanized	B	882,-	124,-	1006,-
FSP-4, painted	B	720,-	124,-	844,-
FSP-4, hot-dip galvanized	B	1112,-	124,-	1236,-

Hazardous Materials Depot Type GD-A	Category	Price	Freight charges	Price including freight charges
GD-A, painted	C	736,-	124,-	860,-
Drum Support FA 60-1, hot-dip galvanized	B	105,-	15,-	120,-
Drum Support FA 60-2, hot-dip galvanized	B	114,-	18,-	132,-
Drum Support FA 60-3, hot-dip galvanized	B	133,-	21,-	154,-
Can Shelf Type GR-A, galvanized	B	133,-	50,-	183,-
Can Shelf Type GR-B, galvanized	B	133,-	50,-	183,-
Can Shelf Type GR-C, galvanized	B	133,-	50,-	183,-
GD-A, hot-dip galvanized	C	927,-	124,-	1051,-
Drum Support FA 60-1, hot-dip galvanized	B	105,-	15,-	120,-
Drum Support FA 60-2, hot-dip galvanized	B	114,-	18,-	132,-
Drum Support FA 60-3, hot-dip galvanized	B	133,-	21,-	154,-
Can Shelf Type GR-A, galvanized	B	133,-	50,-	183,-
Can Shelf Type GR-B, galvanized	B	133,-	50,-	183,-
Can Shelf Type GR-C, galvanized	B	133,-	50,-	183,-

Prices in EUR, valid EXW DE-46354 Südlohn, DE-38820 Halberstadt, unpacked  
Freight charges valid CPT Poland, islands and oversea territories excluded

# Price List 0424 en-PL

## Environment / Storage



Hazardous Materials Depot Type GD-B	Category	Price	Freight charges	Price including freight charges
<b>GD-B, painted</b>	C	1316,-	124,-	1440,-
Drum Support FA 60-1, hot-dip galvanized	B	105,-	15,-	120,-
Drum Support FA 60-2, hot-dip galvanized	B	114,-	18,-	132,-
Drum Support FA 60-3, hot-dip galvanized	B	133,-	21,-	154,-
Can Shelf Type GR-A, galvanized	B	133,-	50,-	183,-
Can Shelf Type GR-B, galvanized	B	133,-	50,-	183,-
Can Shelf Type GR-C, galvanized	B	133,-	50,-	183,-
<b>GD-B, hot-dip galvanized</b>	C	1570,-	124,-	1694,-
Drum Support FA 60-1, hot-dip galvanized	B	105,-	15,-	120,-
Drum Support FA 60-2, hot-dip galvanized	B	114,-	18,-	132,-
Drum Support FA 60-3, hot-dip galvanized	B	133,-	21,-	154,-
Can Shelf Type GR-A, galvanized	B	133,-	50,-	183,-
Can Shelf Type GR-B, galvanized	B	133,-	50,-	183,-
Can Shelf Type GR-C, galvanized	B	133,-	50,-	183,-
Hazardous Materials Depot Type GD-C	Category	Price	Freight charges	Price including freight charges
<b>GD-C, painted</b>	C	1123,-	124,-	1247,-
Drum Support FA 60-1, hot-dip galvanized	B	105,-	15,-	120,-
Drum Support FA 60-2, hot-dip galvanized	B	114,-	18,-	132,-
Drum Support FA 60-3, hot-dip galvanized	B	133,-	21,-	154,-
Can Shelf Type GR-A, galvanized	B	133,-	50,-	183,-
Can Shelf Type GR-B, galvanized	B	133,-	50,-	183,-
Can Shelf Type GR-C, galvanized	B	133,-	50,-	183,-
<b>GD-C, hot-dip galvanized</b>	C	1269,-	124,-	1393,-
Drum Support FA 60-1, hot-dip galvanized	B	105,-	15,-	120,-
Drum Support FA 60-2, hot-dip galvanized	B	114,-	18,-	132,-
Drum Support FA 60-3, hot-dip galvanized	B	133,-	21,-	154,-
Can Shelf Type GR-A, galvanized	B	133,-	50,-	183,-
Can Shelf Type GR-B, galvanized	B	133,-	50,-	183,-
Can Shelf Type GR-C, galvanized	B	133,-	50,-	183,-
Hazardous Materials Depot Type GD-E	Category	Price	Freight charges	Price including freight charges
<b>GD-E 2, galvanized</b>	C	1509,-	175,-	1684,-
Drum Support FA 60-1, hot-dip galvanized	B	105,-	15,-	120,-
Drum Support FA 60-2, hot-dip galvanized	B	114,-	18,-	132,-
Drum Support FA 60-3, hot-dip galvanized	B	133,-	21,-	154,-
Can Shelf Type GR-A, galvanized	B	133,-	50,-	183,-
Can Shelf Type GR-B, galvanized	B	133,-	50,-	183,-
Can Shelf Type GR-C, galvanized	B	133,-	50,-	183,-
<b>GD-E 4, galvanized</b>	C	1842,-	226,-	2068,-
Drum Support FA 60-1, hot-dip galvanized	B	105,-	15,-	120,-
Drum Support FA 60-2, hot-dip galvanized	B	114,-	18,-	132,-
Drum Support FA 60-3, hot-dip galvanized	B	133,-	21,-	154,-
Can Shelf Type GR-A, galvanized	B	133,-	50,-	183,-
Can Shelf Type GR-B, galvanized	B	133,-	50,-	183,-

Prices in EUR, valid EXW DE-46354 Südlohn, DE-38820 Halberstadt, unpacked  
Freight charges valid CPT Poland, islands and oversea territories excluded



# Price List 0424 en-PL

## Environment / Storage



Hazardous Materials Depot Type GD-E	Category	Price	Freight charges	Price including freight charges
Can Shelf Type GR-C, galvanized	B	133,-	50,-	183,-

Hazardous Materials Depot Type GD-E/IBC	Category	Price	Freight charges	Price including freight charges
GD-E/IBC, galvanized	C	2286,-	600,-	2886,-
GD-E/IBC-2, galvanized	C	3431,-	405,-	3836,-

Hazardous Materials Depot Type GD-N	Category	Price	Freight charges	Price including freight charges
GD-N 2, galvanized	C	1315,-	175,-	1490,-
Intermediate Storage Level ZB, galvanized, for Hazardous Materials Depot	C	102,-	18,-	120,-
Drum Support FA 60-1, hot-dip galvanized	B	105,-	15,-	120,-
Can Shelf Type GR-A, galvanized	B	133,-	50,-	183,-
Can Shelf Type GR-B, galvanized	B	133,-	50,-	183,-
Can Shelf Type GR-C, galvanized	B	133,-	50,-	183,-
GD-N 4, galvanized	C	1639,-	175,-	1814,-
Intermediate Storage Level ZB, galvanized, for Hazardous Materials Depot	C	102,-	18,-	120,-
Drum Support FA 60-1, hot-dip galvanized	B	105,-	15,-	120,-
Drum Support FA 60-2, hot-dip galvanized	B	114,-	18,-	132,-
Drum Support FA 200-1, hot-dip galvanized	B	114,-	15,-	129,-
Drum Support FA 200-2, hot-dip galvanized	B	133,-	22,-	155,-
Can Shelf Type GR-A, galvanized	B	133,-	50,-	183,-
Can Shelf Type GR-B, galvanized	B	133,-	50,-	183,-
Can Shelf Type GR-C, galvanized	B	133,-	50,-	183,-

Hazardous Materials Depot Type GD-N/R	Category	Price	Freight charges	Price including freight charges
GD-N/R 2, galvanized	C	1509,-	175,-	1684,-
Intermediate Storage Level ZB, galvanized, for Hazardous Materials Depot	C	102,-	18,-	120,-
Drum Support FA 60-1, hot-dip galvanized	B	105,-	15,-	120,-
Can Shelf Type GR-A, galvanized	B	133,-	50,-	183,-
Can Shelf Type GR-B, galvanized	B	133,-	50,-	183,-
Can Shelf Type GR-C, galvanized	B	133,-	50,-	183,-
GD-N/R 4, galvanized	C	1836,-	175,-	2011,-
Intermediate Storage Level ZB, galvanized, for Hazardous Materials Depot	C	102,-	18,-	120,-
Drum Support FA 60-1, hot-dip galvanized	B	105,-	15,-	120,-
Drum Support FA 60-2, hot-dip galvanized	B	114,-	18,-	132,-
Drum Support FA 200-1, hot-dip galvanized	B	114,-	15,-	129,-
Drum Support FA 200-2, hot-dip galvanized	B	133,-	22,-	155,-
Can Shelf Type GR-A, galvanized	B	133,-	50,-	183,-
Can Shelf Type GR-B, galvanized	B	133,-	50,-	183,-
Can Shelf Type GR-C, galvanized	B	133,-	50,-	183,-

Gas Cylinder Containers Type GFC	Category	Price	Freight charges	Price including freight charges
GFC-1 (grid floor), painted	B	4596,-	on request	on request
Access Ramp for Gas Cylinder Container GFC, hot-dip galvanized	B	157,-	22,-	179,-
GFC-2 (stud plate floor), painted	B	4665,-	on request	on request
Access Ramp for Gas Cylinder Container GFC, hot-dip galvanized	B	157,-	22,-	179,-

Prices in EUR, valid EXW DE-46354 Südlohn, DE-38820 Halberstadt, unpacked  
Freight charges valid CPT Poland, islands and oversea territories excluded

# Price List 0424 en-PL

## Environment / Storage



Gas Cylinder Containers Type GFC-B	Category	Price	Freight charges	Price including freight charges
<b>GFC-B M0, painted</b>	B	3290,-	600,-	3890,-
Fixture with Safety Chain to Secure Gas Cylinders, hot-dip galvanized	B	69,-	12,-	81,-
<b>GFC-B M1, painted</b>	B	3815,-	677,-	4492,-
Fixture with Safety Chain to Secure Gas Cylinders, hot-dip galvanized	B	69,-	12,-	81,-
<b>GFC-B M2, painted</b>	B	3974,-	677,-	4651,-
Fixture with Safety Chain to Secure Gas Cylinders, hot-dip galvanized	B	69,-	12,-	81,-
Rack for Gas Cylinders Type GFG, galvanized	B	197,-	89,-	286,-
<b>GFC-B M3, painted</b>	B	4600,-	677,-	5277,-
Fixture with Safety Chain to Secure Gas Cylinders, hot-dip galvanized	B	69,-	12,-	81,-
Rack for Gas Cylinders Type GFG, galvanized	B	197,-	89,-	286,-
<b>GFC-B M4, painted</b>	B	5173,-	738,-	5911,-
Fixture with Safety Chain to Secure Gas Cylinders, hot-dip galvanized	B	69,-	12,-	81,-
Rack for Gas Cylinders Type GFG, galvanized	B	197,-	89,-	286,-
<b>GFC-B M5, painted</b>	B	7187,-	840,-	8027,-
Fixture with Safety Chain to Secure Gas Cylinders, hot-dip galvanized	B	69,-	12,-	81,-
Rack for Gas Cylinders Type GFG, galvanized	B	197,-	89,-	286,-
Gas Cylinder Containers Type GFC-B/W	Category	Price	Freight charges	Price including freight charges
<b>GFC-B/W M1, painted</b>	B	4073,-	677,-	4750,-
Fixture with Safety Chain to Secure Gas Cylinders, hot-dip galvanized	B	69,-	12,-	81,-
<b>GFC-B/W M2, painted</b>	B	4271,-	677,-	4948,-
Fixture with Safety Chain to Secure Gas Cylinders, hot-dip galvanized	B	69,-	12,-	81,-
<b>GFC-B/W M3, painted</b>	B	4904,-	677,-	5581,-
Fixture with Safety Chain to Secure Gas Cylinders, hot-dip galvanized	B	69,-	12,-	81,-
<b>GFC-B/W M4, painted</b>	B	5483,-	738,-	6221,-
Fixture with Safety Chain to Secure Gas Cylinders, hot-dip galvanized	B	69,-	12,-	81,-
Rack for Gas Cylinders Type GFG, galvanized	B	197,-	89,-	286,-
<b>GFC-B/W M5, painted</b>	B	7578,-	876,-	8454,-
Fixture with Safety Chain to Secure Gas Cylinders, hot-dip galvanized	B	69,-	12,-	81,-
Rack for Gas Cylinders Type GFG, galvanized	B	197,-	89,-	286,-
Gas Cylinder Containers Type GFC-E/G	Category	Price	Freight charges	Price including freight charges
<b>GFC-E/G M0, hot-dip galvanized</b>	B	1487,-	175,-	1662,-
Fixture with Safety Chain to Secure Gas Cylinders, hot-dip galvanized	B	38,-	12,-	50,-
<b>GFC-E/G M1, hot-dip galvanized</b>	B	2116,-	677,-	2793,-
Fixture with Safety Chain to Secure Gas Cylinders, hot-dip galvanized	B	38,-	12,-	50,-
Rack for Gas Cylinders Type GFG, galvanized	B	197,-	89,-	286,-
Access Ramp AR, galvanized	B	157,-	22,-	179,-
Central Dividing Wall, galvanized	B	84,-	22,-	106,-
<b>GFC-E/G M2, hot-dip galvanized</b>	B	2319,-	677,-	2996,-
Fixture with Safety Chain to Secure Gas Cylinders, hot-dip galvanized	B	38,-	12,-	50,-
Rack for Gas Cylinders Type GFG, galvanized	B	197,-	89,-	286,-
Access Ramp AR, galvanized	B	157,-	22,-	179,-
Central Dividing Wall, galvanized	B	124,-	32,-	156,-
<b>GFC-E/G M3, hot-dip galvanized</b>	B	2580,-	677,-	3257,-

Prices in EUR, valid EXW DE-46354 Südlohn, DE-38820 Halberstadt, unpacked  
Freight charges valid CPT Poland, islands and oversea territories excluded

# Price List 0424 en-PL

## Environment / Storage



Gas Cylinder Containers Type GFC-E/G	Category	Price	Freight charges	Price including freight charges
Fixture with Safety Chain to Secure Gas Cylinders, hot-dip galvanized	B	38,-	12,-	50,-
Rack for Gas Cylinders Type GFG, galvanized	B	197,-	89,-	286,-
Access Ramp AR, galvanized	B	157,-	22,-	179,-
Central Dividing Wall, galvanized	B	124,-	32,-	156,-
<b>GFC-E/G M4, hot-dip galvanized</b>	B	2797,-	738,-	3535,-
Fixture with Safety Chain to Secure Gas Cylinders, hot-dip galvanized	B	38,-	12,-	50,-
Rack for Gas Cylinders Type GFG, galvanized	B	197,-	89,-	286,-
Access Ramp AR, galvanized	B	157,-	22,-	179,-
Central Dividing Wall, galvanized	B	124,-	32,-	156,-
<b>GFC-E/G M5, hot-dip galvanized</b>	B	3465,-	738,-	4203,-
Fixture with Safety Chain to Secure Gas Cylinders, hot-dip galvanized	B	38,-	12,-	50,-
Rack for Gas Cylinders Type GFG, galvanized	B	197,-	89,-	286,-
Access Ramp AR, galvanized	B	157,-	22,-	179,-
Central Dividing Wall, galvanized	B	184,-	40,-	224,-

Gas Cylinder Containers Type GFC-E/T	Category	Price	Freight charges	Price including freight charges
<b>GFC-E/T M0, hot-dip galvanized</b>	B	1507,-	175,-	1682,-
Fixture with Safety Chain to Secure Gas Cylinders, hot-dip galvanized	B	38,-	12,-	50,-
<b>GFC-E/T M1, hot-dip galvanized</b>	B	2153,-	677,-	2830,-
Fixture with Safety Chain to Secure Gas Cylinders, hot-dip galvanized	B	38,-	12,-	50,-
Rack for Gas Cylinders Type GFG, galvanized	B	197,-	89,-	286,-
Access Ramp AR, galvanized	B	157,-	22,-	179,-
Central Dividing Wall, galvanized	B	84,-	22,-	106,-
<b>GFC-E/T M2, hot-dip galvanized</b>	B	2365,-	677,-	3042,-
Fixture with Safety Chain to Secure Gas Cylinders, hot-dip galvanized	B	38,-	12,-	50,-
Rack for Gas Cylinders Type GFG, galvanized	B	197,-	89,-	286,-
Access Ramp AR, galvanized	B	157,-	22,-	179,-
Central Dividing Wall, galvanized	B	124,-	32,-	156,-
<b>GFC-E/T M3, hot-dip galvanized</b>	B	2644,-	677,-	3321,-
Fixture with Safety Chain to Secure Gas Cylinders, hot-dip galvanized	B	38,-	12,-	50,-
Rack for Gas Cylinders Type GFG, galvanized	B	197,-	89,-	286,-
Access Ramp AR, galvanized	B	157,-	22,-	179,-
Central Dividing Wall, galvanized	B	124,-	32,-	156,-
<b>GFC-E/T M4, hot-dip galvanized</b>	B	2859,-	738,-	3597,-
Fixture with Safety Chain to Secure Gas Cylinders, hot-dip galvanized	B	38,-	12,-	50,-
Rack for Gas Cylinders Type GFG, galvanized	B	197,-	89,-	286,-
Access Ramp AR, galvanized	B	157,-	22,-	179,-
Central Dividing Wall, galvanized	B	124,-	32,-	156,-
<b>GFC-E/T M5, hot-dip galvanized</b>	B	3553,-	738,-	4291,-
Fixture with Safety Chain to Secure Gas Cylinders, hot-dip galvanized	B	38,-	12,-	50,-
Rack for Gas Cylinders Type GFG, galvanized	B	197,-	89,-	286,-
Access Ramp AR, galvanized	B	157,-	22,-	179,-
Central Dividing Wall, galvanized	B	184,-	40,-	224,-

Prices in EUR, valid EXW DE-46354 Südlohn, DE-38820 Halberstadt, unpacked  
Freight charges valid CPT Poland, islands and oversea territories excluded

# Price List 0424 en-PL

## Environment / Storage



Gas Cylinder Containers Type GFC-M/D	Category	Price	Freight charges	Price including freight charges
<b>GFC-M0/D, hot-dip galvanized</b>	B	993,-	124,-	1117,-
Grid Floor for Gas Cylinder Container GFC-M0, hot-dip galvanized	B	146,-	27,-	173,-
Fixture with Safety Chain to Secure Gas Cylinders, hot-dip galvanized	B	38,-	12,-	50,-
<b>GFC-M1/D, hot-dip galvanized</b>	B	1204,-	175,-	1379,-
Grid Floor for Gas Cylinder Container GFC-M1, hot-dip galvanized	B	264,-	89,-	353,-
Fixture with Safety Chain to Secure Gas Cylinders, hot-dip galvanized	B	38,-	12,-	50,-
Rack for Gas Cylinders Type GFG, galvanized	B	197,-	89,-	286,-
<b>GFC-M2/D, hot-dip galvanized</b>	B	1282,-	175,-	1457,-
Grid Floor for Gas Cylinder Container GFC-M2, hot-dip galvanized	B	362,-	89,-	451,-
Fixture with Safety Chain to Secure Gas Cylinders, hot-dip galvanized	B	38,-	12,-	50,-
Rack for Gas Cylinders Type GFG, galvanized	B	197,-	89,-	286,-
<b>GFC-M3/D, hot-dip galvanized</b>	B	1447,-	175,-	1622,-
Grid Floor for Gas Cylinder Container GFC-M3, hot-dip galvanized	B	492,-	124,-	616,-
Fixture with Safety Chain to Secure Gas Cylinders, hot-dip galvanized	B	38,-	12,-	50,-
Rack for Gas Cylinders Type GFG, galvanized	B	197,-	89,-	286,-
<b>GFC-M4/D, hot-dip galvanized</b>	B	1546,-	175,-	1721,-
Grid Floor for Gas Cylinder Container GFC-M4, hot-dip galvanized	B	605,-	124,-	729,-
Fixture with Safety Chain to Secure Gas Cylinders, hot-dip galvanized	B	38,-	12,-	50,-
Rack for Gas Cylinders Type GFG, galvanized	B	197,-	89,-	286,-
<b>GFC-M5/D, hot-dip galvanized</b>	B	1838,-	226,-	2064,-
Grid Floor for Gas Cylinder Container GFC-M5, hot-dip galvanized	B	739,-	124,-	863,-
Fixture with Safety Chain to Secure Gas Cylinders, hot-dip galvanized	B	38,-	12,-	50,-
Rack for Gas Cylinders Type GFG, galvanized	B	197,-	89,-	286,-
<b>Gas Cylinder Containers Type GFC-M</b>	<b>Category</b>	<b>Price</b>	<b>Freight charges</b>	<b>Price including freight charges</b>
<b>GFC-M1, hot-dip galvanized</b>	B	1063,-	124,-	1187,-
Grid Floor for Gas Cylinder Container GFC-M1, hot-dip galvanized	B	264,-	89,-	353,-
Fixture with Safety Chain to Secure Gas Cylinders, hot-dip galvanized	B	38,-	12,-	50,-
Rack for Gas Cylinders Type GFG, galvanized	B	197,-	89,-	286,-
<b>GFC-M2, hot-dip galvanized</b>	B	1129,-	175,-	1304,-
Grid Floor for Gas Cylinder Container GFC-M2, hot-dip galvanized	B	362,-	89,-	451,-
Fixture with Safety Chain to Secure Gas Cylinders, hot-dip galvanized	B	38,-	12,-	50,-
Rack for Gas Cylinders Type GFG, galvanized	B	197,-	89,-	286,-
<b>GFC-M3, hot-dip galvanized</b>	B	1267,-	175,-	1442,-
Grid Floor for Gas Cylinder Container GFC-M3, hot-dip galvanized	B	492,-	124,-	616,-
Fixture with Safety Chain to Secure Gas Cylinders, hot-dip galvanized	B	38,-	12,-	50,-
Rack for Gas Cylinders Type GFG, galvanized	B	197,-	89,-	286,-
<b>GFC-M4, hot-dip galvanized</b>	B	1333,-	175,-	1508,-
Grid Floor for Gas Cylinder Container GFC-M4, hot-dip galvanized	B	605,-	124,-	729,-
Fixture with Safety Chain to Secure Gas Cylinders, hot-dip galvanized	B	38,-	12,-	50,-
Rack for Gas Cylinders Type GFG, galvanized	B	197,-	89,-	286,-
<b>GFC-M5, hot-dip galvanized</b>	B	1547,-	175,-	1722,-
Grid Floor for Gas Cylinder Container GFC-M5, hot-dip galvanized	B	739,-	124,-	863,-
Fixture with Safety Chain to Secure Gas Cylinders, hot-dip galvanized	B	38,-	12,-	50,-
Rack for Gas Cylinders Type GFG, galvanized	B	197,-	89,-	286,-

Prices in EUR, valid EXW DE-46354 Südlohn, DE-38820 Halberstadt, unpacked  
Freight charges valid CPT Poland, islands and oversea territories excluded

# Price List 0424 en-PL

## Environment / Storage



Gas Cylinder Containers Type GFC-M/D-DF	Category	Price	Freight charges	Price including freight charges
<b>GFC-M1/D-DF, hot-dip galvanized</b>	B	1375,-	175,-	1550,-
Grid Floor for Gas Cylinder Container GFC-M1, hot-dip galvanized	B	264,-	89,-	353,-
Fixture with Safety Chain to Secure Gas Cylinders, hot-dip galvanized	B	38,-	12,-	50,-
Rack for Gas Cylinders Type GFG, galvanized	B	197,-	89,-	286,-
<b>GFC-M2/D-DF, hot-dip galvanized</b>	B	1452,-	175,-	1627,-
Grid Floor for Gas Cylinder Container GFC-M2, hot-dip galvanized	B	362,-	89,-	451,-
Fixture with Safety Chain to Secure Gas Cylinders, hot-dip galvanized	B	38,-	12,-	50,-
Rack for Gas Cylinders Type GFG, galvanized	B	197,-	89,-	286,-
<b>GFC-M3/D-DF, hot-dip galvanized</b>	B	1618,-	175,-	1793,-
Grid Floor for Gas Cylinder Container GFC-M3, hot-dip galvanized	B	492,-	124,-	616,-
Fixture with Safety Chain to Secure Gas Cylinders, hot-dip galvanized	B	38,-	12,-	50,-
Rack for Gas Cylinders Type GFG, galvanized	B	197,-	89,-	286,-
<b>GFC-M4/D-DF, hot-dip galvanized</b>	B	1748,-	226,-	1974,-
Grid Floor for Gas Cylinder Container GFC-M4, hot-dip galvanized	B	605,-	124,-	729,-
Fixture with Safety Chain to Secure Gas Cylinders, hot-dip galvanized	B	38,-	12,-	50,-
Rack for Gas Cylinders Type GFG, galvanized	B	197,-	89,-	286,-
<b>GFC-M5/D-DF, hot-dip galvanized</b>	B	2040,-	226,-	2266,-
Grid Floor for Gas Cylinder Container GFC-M5, hot-dip galvanized	B	739,-	124,-	863,-
Fixture with Safety Chain to Secure Gas Cylinders, hot-dip galvanized	B	38,-	12,-	50,-
Rack for Gas Cylinders Type GFG, galvanized	B	197,-	89,-	286,-
Gas Cylinder Containers Type GFC-M-DF	Category	Price	Freight charges	Price including freight charges
<b>GFC-M1-DF, hot-dip galvanized</b>	B	1232,-	124,-	1356,-
Grid Floor for Gas Cylinder Container GFC-M1, hot-dip galvanized	B	264,-	89,-	353,-
Fixture with Safety Chain to Secure Gas Cylinders, hot-dip galvanized	B	38,-	12,-	50,-
Rack for Gas Cylinders Type GFG, galvanized	B	197,-	89,-	286,-
<b>GFC-M2-DF, hot-dip galvanized</b>	B	1300,-	175,-	1475,-
Grid Floor for Gas Cylinder Container GFC-M2, hot-dip galvanized	B	362,-	89,-	451,-
Fixture with Safety Chain to Secure Gas Cylinders, hot-dip galvanized	B	38,-	12,-	50,-
Rack for Gas Cylinders Type GFG, galvanized	B	197,-	89,-	286,-
<b>GFC-M3-DF, hot-dip galvanized</b>	B	1439,-	175,-	1614,-
Grid Floor for Gas Cylinder Container GFC-M3, hot-dip galvanized	B	492,-	124,-	616,-
Fixture with Safety Chain to Secure Gas Cylinders, hot-dip galvanized	B	38,-	12,-	50,-
Rack for Gas Cylinders Type GFG, galvanized	B	197,-	89,-	286,-
<b>GFC-M4-DF, hot-dip galvanized</b>	B	1537,-	175,-	1712,-
Grid Floor for Gas Cylinder Container GFC-M4, hot-dip galvanized	B	605,-	124,-	729,-
Fixture with Safety Chain to Secure Gas Cylinders, hot-dip galvanized	B	38,-	12,-	50,-
Rack for Gas Cylinders Type GFG, galvanized	B	197,-	89,-	286,-
<b>GFC-M5-DF, hot-dip galvanized</b>	B	1750,-	226,-	1976,-
Grid Floor for Gas Cylinder Container GFC-M5, hot-dip galvanized	B	739,-	124,-	863,-
Fixture with Safety Chain to Secure Gas Cylinders, hot-dip galvanized	B	38,-	12,-	50,-
Rack for Gas Cylinders Type GFG, galvanized	B	197,-	89,-	286,-
Gas Cylinder Depot Type GFD-G	Category	Price	Freight charges	Price including freight charges
<b>GFD-G 1, galvanized</b>	B	414,-	124,-	538,-

Prices in EUR, valid EXW DE-46354 Südlohn, DE-38820 Halberstadt, unpacked  
Freight charges valid CPT Poland, islands and oversea territories excluded

# Price List 0424 en-PL

## Environment / Storage



Gas Cylinder Depot Type GFD-G	Category	Price	Freight charges	Price including freight charges
GFD-G 2, galvanized	B	763,-	124,-	887,-
Gas Cylinder Depot Type GFD-L	Category	Price	Freight charges	Price including freight charges
GFD-L 1, galvanized	B	446,-	89,-	535,-
GFD-L 2, galvanized	B	850,-	124,-	974,-
Gas Cylinder Depot Type GFD-R	Category	Price	Freight charges	Price including freight charges
GFD-R 2, painted	B	747,-	89,-	836,-
GFD-R 2, hot-dip galvanized	B	771,-	89,-	860,-
GFD-R 4, painted	B	849,-	89,-	938,-
GFD-R 4, hot-dip galvanized	B	878,-	89,-	967,-
Hazardous Materials Cabinet Type GS	Category	Price	Freight charges	Price including freight charges
GS-1, painted	B	762,-	124,-	886,-
Intermediate Storage Level, galvanized	B	86,-	14,-	100,-
GS-1, hot-dip galvanized	B	820,-	124,-	944,-
Intermediate Storage Level, galvanized	B	86,-	14,-	100,-
GS-2, painted	B	1013,-	175,-	1188,-
Intermediate Storage Level, galvanized	B	86,-	14,-	100,-
GS-2, hot-dip galvanized	B	1100,-	175,-	1275,-
Intermediate Storage Level, galvanized	B	86,-	14,-	100,-
GS-3, painted	B	2070,-	226,-	2296,-
GS-3, hot-dip galvanized	B	2217,-	226,-	2443,-
GS-4, painted	B	2081,-	600,-	2681,-
GS-4, hot-dip galvanized	B	2260,-	600,-	2860,-
Gas Cylinder Wall Bracket Type GWH	Category	Price	Freight charges	Price including freight charges
GWH 140-I, hot-dip galvanized	F	25,-	50,-	75,-
GWH 140-II, hot-dip galvanized	F	38,-	50,-	88,-
GWH 140-III, hot-dip galvanized	F	57,-	50,-	107,-
GWH 230-I, hot-dip galvanized	F	27,-	50,-	77,-
GWH 230-II, hot-dip galvanized	F	41,-	50,-	91,-
GWH 230-III, hot-dip galvanized	F	62,-	50,-	112,-
GWH 320-I, hot-dip galvanized	F	28,-	50,-	78,-
GWH 320-II, hot-dip galvanized	F	46,-	50,-	96,-
GWH 320-III, hot-dip galvanized	F	69,-	50,-	119,-
Tilting Canister Stand Type KAH	Category	Price	Freight charges	Price including freight charges
KAH-5, galvanized	A	92,-	50,-	142,-
KAH-25, galvanized	A	105,-	50,-	155,-
KAH-60, galvanized	A	135,-	50,-	185,-
Spill Tray for Canisters/Small Cans Type KGW	Category	Price	Freight charges	Price including freight charges
KGW 1, galvanized	B	88,-	50,-	138,-
KGW 1 V4A, stainless steel 1.4571	B	270,-	50,-	320,-

Prices in EUR, valid EXW DE-46354 Südlohn, DE-38820 Halberstadt, unpacked  
Freight charges valid CPT Poland, islands and oversea territories excluded

# Price List 0424 en-PL

## Environment / Storage



Spill Tray for Canisters/Small Cans Type KGW	Category	Price	Freight charges	Price including freight charges
KGW 2, galvanized	B	92,-	50,-	142,-
KGW 2 V4A, stainless steel 1.4571	B	311,-	50,-	361,-
KGW 3, galvanized	B	96,-	50,-	146,-
KGW 3 V4A, stainless steel 1.4571	B	386,-	50,-	436,-
KGW 4, galvanized	B	113,-	89,-	202,-
KGW 4 V4A, stainless steel 1.4571	B	456,-	89,-	545,-
KGW 5, galvanized	B	155,-	89,-	244,-
KGW 5 V4A, stainless steel 1.4571	B	593,-	89,-	682,-

Spill Tray for Canisters/Small Cans Type KGW/M	Category	Price	Freight charges	Price including freight charges
KGW 1/M, galvanized	B	124,-	50,-	174,-
KGW 1/M V4A, stainless steel 1.4571	B	406,-	50,-	456,-
KGW 2/M, galvanized	B	132,-	50,-	182,-
KGW 2/M V4A, stainless steel 1.4571	B	468,-	50,-	518,-
KGW 3/M, galvanized	B	151,-	50,-	201,-
KGW 3/M V4A, stainless steel 1.4571	B	589,-	50,-	639,-
KGW 4/M, galvanized	B	175,-	89,-	264,-
KGW 4/M V4A, stainless steel 1.4571	B	705,-	89,-	794,-
KGW 5/M, galvanized	B	227,-	89,-	316,-
KGW 5/M V4A, stainless steel 1.4571	B	929,-	89,-	1018,-

Spill Tray for Canisters/Small Cans on Pallets Type KGW-P	Category	Price	Freight charges	Price including freight charges
KGW-P 1, galvanized	B	94,-	50,-	144,-
KGW-P 1 V4A, stainless steel 1.4571	B	266,-	50,-	316,-
KGW-P 2, galvanized	B	142,-	50,-	192,-
KGW-P 2 V4A, stainless steel 1.4571	B	382,-	50,-	432,-
KGW-P 3, galvanized	B	178,-	89,-	267,-
KGW-P 3 V4A, stainless steel 1.4571	B	586,-	50,-	636,-
KGW-P 4, galvanized	B	169,-	50,-	219,-
KGW-P 4 V4A, stainless steel 1.4571	B	450,-	50,-	500,-

Spill Tray for Canisters/Small Cans on Pallets Type KGW-P/M	Category	Price	Freight charges	Price including freight charges
KGW-P 1/M, galvanized	B	137,-	50,-	187,-
KGW-P 1/M V4A, stainless steel 1.4571	B	385,-	50,-	435,-
KGW-P 2/M, galvanized	B	210,-	50,-	260,-
KGW-P 2/M V4A, stainless steel 1.4571	B	559,-	50,-	609,-
KGW-P 3/M, galvanized	B	256,-	89,-	345,-
KGW-P 3/M V4A, stainless steel 1.4571	B	864,-	89,-	953,-
KGW-P 4/M, galvanized	B	241,-	50,-	291,-
KGW-P 4/M V4A, stainless steel 1.4571	B	694,-	50,-	744,-

Diesel Filling Point Type KPS	Category	Price	Freight charges	Price including freight charges
KPS 1, painted	B	2865,-	on request	on request
KPS 2, painted	B	3723,-	on request	on request
KPS 3, painted	B	5248,-	on request	on request

Prices in EUR, valid EXW DE-46354 Südlohn, DE-38820 Halberstadt, unpacked  
Freight charges valid CPT Poland, islands and oversea territories excluded

# Price List 0424 en-PL

## Environment / Storage



Polyethylene Sump Tray for Pallets Type KWP-P	Category	Price	Freight charges	Price including freight charges
<b>KWP-P 20, made of robust polyethylene</b>	B	46,-	50,-	96,-
Deck with Punched Holes LR-PE 20, robust polyethylene, black	B	61,-	14,-	75,-
<b>KWP-P 30, made of robust polyethylene</b>	B	56,-	50,-	106,-
Deck with Punched Holes LR-PE 30, robust polyethylene, black	B	63,-	14,-	77,-
<b>KWP-P 40, made of robust polyethylene</b>	B	62,-	50,-	112,-
Deck with Punched Holes LR-PE 40, robust polyethylene, black	B	67,-	14,-	81,-
<b>KWP-P 60, made of robust polyethylene</b>	B	99,-	50,-	149,-
Deck with punched holes LR-PE 60, robust polyethylene, black	B	70,-	14,-	84,-
<b>KWP-P 100, made of robust polyethylene</b>	B	113,-	89,-	202,-
Deck with punched holes LR-PE 100, robust polyethylene, black	B	86,-	16,-	102,-

Mobile Sump Tray with Perforated Panel Type LPW	Category	Price	Freight charges	Price including freight charges
<b>LPW 60-1, painted</b>	B	605,-	89,-	694,-
Tool Deposit for Sump Trays with Perforated Panel Type LPW	B	30,-	16,-	46,-
Drip Tray for Sump Trays with Perforated Panel Type LPW	B	48,-	16,-	64,-
<b>LPW 60-1, hot-dip galvanized</b>	B	623,-	89,-	712,-
Tool Deposit for Sump Trays with Perforated Panel Type LPW	B	30,-	16,-	46,-
Drip Tray for Sump Trays with Perforated Panel Type LPW	B	48,-	16,-	64,-
<b>LPW 60-2, painted</b>	B	618,-	89,-	707,-
Tool Deposit for Sump Trays with Perforated Panel Type LPW	B	30,-	16,-	46,-
Drip Tray for Sump Trays with Perforated Panel Type LPW	B	48,-	16,-	64,-
<b>LPW 60-2, hot-dip galvanized</b>	B	638,-	89,-	727,-
Tool Deposit for Sump Trays with Perforated Panel Type LPW	B	30,-	16,-	46,-
Drip Tray for Sump Trays with Perforated Panel Type LPW	B	48,-	16,-	64,-
<b>LPW 60-3, painted</b>	B	624,-	89,-	713,-
Tool Deposit for Sump Trays with Perforated Panel Type LPW	B	30,-	16,-	46,-
Drip Tray for Sump Trays with Perforated Panel Type LPW	B	48,-	16,-	64,-
<b>LPW 60-3, hot-dip galvanized</b>	B	644,-	89,-	733,-
Tool Deposit for Sump Trays with Perforated Panel Type LPW	B	30,-	16,-	46,-
Drip Tray for Sump Trays with Perforated Panel Type LPW	B	48,-	16,-	64,-
<b>LPW 200-1, painted</b>	B	794,-	124,-	918,-
Tool Deposit for Sump Trays with Perforated Panel Type LPW	B	30,-	16,-	46,-
Drip Tray for Sump Trays with Perforated Panel Type LPW	B	48,-	16,-	64,-
<b>LPW 200-1, hot-dip galvanized</b>	B	827,-	124,-	951,-
Tool Deposit for Sump Trays with Perforated Panel Type LPW	B	30,-	16,-	46,-
Drip Tray for Sump Trays with Perforated Panel Type LPW	B	48,-	16,-	64,-
<b>LPW 200-2, painted</b>	B	833,-	124,-	957,-
Tool Deposit for Sump Trays with Perforated Panel Type LPW	B	30,-	16,-	46,-
Drip Tray for Sump Trays with Perforated Panel Type LPW	B	48,-	16,-	64,-
<b>LPW 200-2, hot-dip galvanized</b>	B	868,-	124,-	992,-
Tool Deposit for Sump Trays with Perforated Panel Type LPW	B	30,-	16,-	46,-
Drip Tray for Sump Trays with Perforated Panel Type LPW	B	48,-	16,-	64,-
<b>LPW 200-3, painted</b>	B	848,-	124,-	972,-
Tool Deposit for Sump Trays with Perforated Panel Type LPW	B	30,-	16,-	46,-
Drip Tray for Sump Trays with Perforated Panel Type LPW	B	48,-	16,-	64,-
<b>LPW 200-3, hot-dip galvanized</b>	B	883,-	124,-	1007,-

Prices in EUR, valid EXW DE-46354 Südlohn, DE-38820 Halberstadt, unpacked  
Freight charges valid CPT Poland, islands and oversea territories excluded



# Price List 0424 en-PL

## Environment / Storage



Mobile Sump Tray with Perforated Panel Type LPW	Category	Price	Freight charges	Price including freight charges
Tool Deposit for Sump Trays with Perforated Panel Type LPW	B	30,-	16,-	46,-
Drip Tray for Sump Trays with Perforated Panel Type LPW	B	48,-	16,-	64,-
LPW 200-4, painted	B	1019,-	124,-	1143,-
LPW 200-4, hot-dip galvanized	B	1049,-	124,-	1173,-
Modular Sump Tray Type MAW	Category	Price	Freight charges	Price including freight charges
MAW, painted	B	324,-	89,-	413,-
MAW, hot-dip galvanized	B	353,-	89,-	442,-
Element No. 1: grid grate incl. supportS, painted	B	75,-	18,-	93,-
Element No. 2: galvanized handle + castors	B	133,-	19,-	152,-
Element No. 3: runners, painted	B	99,-	15,-	114,-
Element No. 3: runners, hot-dip galvanized	B	63,-	15,-	78,-
Element No. 6: surround, galvanized	B	580,-	89,-	669,-
Spline Sump Type PW	Category	Price	Freight charges	Price including freight charges
PW 200-2, painted	B	236,-	89,-	325,-
PW 200-2, hot-dip galvanized	B	227,-	89,-	316,-
PW 200-4, painted	B	261,-	89,-	350,-
PW 200-4, hot-dip galvanized	B	252,-	89,-	341,-
PW 400-4, painted	B	337,-	89,-	426,-
PW 400-4, hot-dip galvanized	B	320,-	89,-	409,-
Spline Sump Type PWE	Category	Price	Freight charges	Price including freight charges
PWE 200-2, painted	B	209,-	89,-	298,-
PWE 200-2, hot-dip galvanized	B	200,-	89,-	289,-
PWE 200-4, painted	B	228,-	89,-	317,-
PWE 200-4, hot-dip galvanized	B	220,-	89,-	309,-
PWE 400-4, painted	B	278,-	89,-	367,-
PWE 400-4, hot-dip galvanized	B	268,-	89,-	357,-
Hazardous Materials Cabinet with Roller Shutter Door Type RSG	Category	Price	Freight charges	Price including freight charges
RSG-1, painted	B	1841,-	124,-	1965,-
Set of 4 Feet, height adjustable	B	77,-	9,-	86,-
RSG-2, painted	B	1855,-	124,-	1979,-
Set of 4 Feet, height adjustable	B	77,-	9,-	86,-
RSG-3, painted	B	1904,-	124,-	2028,-
Set of 4 Feet, height adjustable	B	77,-	9,-	86,-
RSG-4, painted	B	2037,-	175,-	2212,-
Set of 4 Feet, height adjustable	B	77,-	9,-	86,-
Shelf Sump with Polyethylene Inlay Type RW PE	Category	Price	Freight charges	Price including freight charges
RW 1800 PE, painted	B	1008,-	124,-	1132,-
RW 1800 PE, hot-dip galvanized	B	1062,-	124,-	1186,-
RW 2200-1 PE, painted	B	1052,-	124,-	1176,-
RW 2200-1 PE, hot-dip galvanized	B	1108,-	124,-	1232,-

Prices in EUR, valid EXW DE-46354 Südlohn, DE-38820 Halberstadt, unpacked  
Freight charges valid CPT Poland, islands and oversea territories excluded

# Price List 0424 en-PL

## Environment / Storage



Shelf Sump with Polyethylene Inlay Type RW PE	Category	Price	Freight charges	Price including freight charges
RW 2200-2 PE, painted	B	1232,-	124,-	1356,-
RW 2200-2 PE, hot-dip galvanized	B	1295,-	124,-	1419,-
RW 2700-1 PE, painted	B	1070,-	174,-	1244,-
RW 2700-1 PE, hot-dip galvanized	B	1151,-	174,-	1325,-
RW 2700-2 PE, painted	B	1223,-	174,-	1397,-
RW 2700-2 PE, hot-dip galvanized	B	1318,-	174,-	1492,-
RW 2700-3 PE, painted	B	1416,-	174,-	1590,-
RW 2700-3 PE, hot-dip galvanized	B	1538,-	174,-	1712,-
RW 3300-1 PE, painted	B	1369,-	174,-	1543,-
RW 3300-1 PE, hot-dip galvanized	B	1458,-	174,-	1632,-
RW 3300-2 PE, painted	B	1483,-	174,-	1657,-
RW 3300-2 PE, hot-dip galvanized	B	1581,-	174,-	1755,-
RW 3300-3 PE, painted	B	1679,-	225,-	1904,-
RW 3300-3 PE, hot-dip galvanized	B	1787,-	225,-	2012,-

Shelf Sump Type RW	Category	Price	Freight charges	Price including freight charges
RW 1800, painted	B	489,-	89,-	578,-
RW 1800, hot-dip galvanized	B	542,-	89,-	631,-
RW 2200-1, painted	B	501,-	89,-	590,-
RW 2200-1, hot-dip galvanized	B	557,-	89,-	646,-
RW 2200-2, painted	B	514,-	124,-	638,-
RW 2200-2, hot-dip galvanized	B	576,-	124,-	700,-
RW 2700-1, painted	B	510,-	174,-	684,-
RW 2700-1, hot-dip galvanized	B	590,-	174,-	764,-
RW 2700-2, painted	B	586,-	174,-	760,-
RW 2700-2, hot-dip galvanized	B	682,-	174,-	856,-
RW 2700-3, painted	B	634,-	174,-	808,-
RW 2700-3, hot-dip galvanized	B	754,-	174,-	928,-
RW 3300-1, painted	B	657,-	174,-	831,-
RW 3300-1, hot-dip galvanized	B	747,-	174,-	921,-
RW 3300-2, painted	B	722,-	174,-	896,-
RW 3300-2, hot-dip galvanized	B	821,-	174,-	995,-
RW 3300-3, painted	B	805,-	174,-	979,-
RW 3300-3, hot-dip galvanized	B	913,-	174,-	1087,-

Shelf Sump with Polyethylene Inlay Type RW-GR PE	Category	Price	Freight charges	Price including freight charges
RW-GR 1800 PE, painted	B	1138,-	124,-	1262,-
RW-GR 1800 PE, hot-dip galvanized	B	1189,-	124,-	1313,-
RW-GR 2200-1 PE, painted	B	1212,-	124,-	1336,-
RW-GR 2200-1 PE, hot-dip galvanized	B	1268,-	124,-	1392,-
RW-GR 2200-2 PE, painted	B	1394,-	175,-	1569,-
RW-GR 2200-2 PE, hot-dip galvanized	B	1454,-	175,-	1629,-
RW-GR 2700-1 PE, painted	B	1268,-	225,-	1493,-
RW-GR 2700-1 PE, hot-dip galvanized	B	1347,-	225,-	1572,-
RW-GR 2700-2 PE, painted	B	1419,-	225,-	1644,-

Prices in EUR, valid EXW DE-46354 Südlohn, DE-38820 Halberstadt, unpacked  
Freight charges valid CPT Poland, islands and oversea territories excluded

# Price List 0424 en-PL

## Environment / Storage



Shelf Sump with Polyethylene Inlay Type RW-GR PE	Category	Price	Freight charges	Price including freight charges
RW-GR 2700-2 PE, hot-dip galvanized	B	1516,-	225,-	1741,-
RW-GR 2700-3 PE, painted	B	1614,-	225,-	1839,-
RW-GR 2700-3 PE, hot-dip galvanized	B	1715,-	225,-	1940,-
RW-GR 3300-1 PE, painted	B	1729,-	225,-	1954,-
RW-GR 3300-1 PE, hot-dip galvanized	B	1818,-	225,-	2043,-
RW-GR 3300-2 PE, painted	B	1841,-	225,-	2066,-
RW-GR 3300-2 PE, hot-dip galvanized	B	1949,-	225,-	2174,-
RW-GR 3300-3 PE, painted	B	2038,-	276,-	2314,-
RW-GR 3300-3 PE, hot-dip galvanized	B	2146,-	276,-	2422,-

Shelf Sump Type RW-GR	Category	Price	Freight charges	Price including freight charges
RW-GR 1800, painted	B	619,-	124,-	743,-
RW-GR 1800, hot-dip galvanized	B	672,-	124,-	796,-
RW-GR 2200-1, painted	B	662,-	124,-	786,-
RW-GR 2200-1, hot-dip galvanized	B	719,-	124,-	843,-
RW-GR 2200-2, painted	B	676,-	175,-	851,-
RW-GR 2200-2, hot-dip galvanized	B	735,-	175,-	910,-
RW-GR 2700-1, painted	B	707,-	174,-	881,-
RW-GR 2700-1, hot-dip galvanized	B	787,-	225,-	1012,-
RW-GR 2700-2, painted	B	783,-	225,-	1008,-
RW-GR 2700-2, hot-dip galvanized	B	880,-	225,-	1105,-
RW-GR 2700-3, painted	B	831,-	225,-	1056,-
RW-GR 2700-3, hot-dip galvanized	B	933,-	225,-	1158,-
RW-GR 3300-1, painted	B	1016,-	225,-	1241,-
RW-GR 3300-1, hot-dip galvanized	B	1107,-	225,-	1332,-
RW-GR 3300-2, painted	B	1081,-	225,-	1306,-
RW-GR 3300-2, hot-dip galvanized	B	1188,-	225,-	1413,-
RW-GR 3300-3, painted	B	1165,-	225,-	1390,-
RW-GR 3300-3, hot-dip galvanized	B	1272,-	225,-	1497,-
RW-GR 3600-3, painted	B	1285,-	225,-	1510,-
RW-GR 3600-3, hot-dip galvanized	B	1432,-	225,-	1657,-

Safety Cabinet Type SIW	Category	Price	Freight charges	Price including freight charges
SIW 1005	B	575,-	89,-	664,-
SIW 2005	B	725,-	124,-	849,-

Diesel Filling Point Type TAW	Category	Price	Freight charges	Price including freight charges
TAW 1, painted	B	2365,-	on request	on request
TAW 2, painted	B	3086,-	on request	on request
TAW 3, painted	B	4447,-	on request	on request

Stainless Steel Sump Tray Type VAW	Category	Price	Freight charges	Price including freight charges
VAW-1, stainless steel 1.4571	B	956,-	89,-	1045,-
Grid, stainless steel 1.4571	B	477,-	14,-	491,-
Grid, hot-dip galvanized	B	68,-	14,-	82,-

Prices in EUR, valid EXW DE-46354 Südlohn, DE-38820 Halberstadt, unpacked  
Freight charges valid CPT Poland, islands and oversea territories excluded

# Price List 0424 en-PL

## Environment / Storage



Stainless Steel Sump Tray Type VAW	Category	Price	Freight charges	Price including freight charges
<b>VAW-2, stainless steel 1.4571</b>	B	1042,-	89,-	1131,-
Grid, stainless steel 1.4571	B	706,-	16,-	722,-
Grid, hot-dip galvanized	B	91,-	38,-	129,-
<b>VAW-4/A, stainless steel 1.4571</b>	B	1194,-	89,-	1283,-
Grid, stainless steel 1.4571	B	1025,-	22,-	1047,-
Grid, hot-dip galvanized	B	119,-	22,-	141,-
<b>VAW-4/B, stainless steel 1.4571</b>	B	1459,-	89,-	1548,-
Grid, stainless steel 1.4571	B	1411,-	27,-	1438,-
Grid, hot-dip galvanized	B	163,-	27,-	190,-
<b>VAW 1000, stainless steel 1.4571</b>	B	2633,-	124,-	2757,-
Grid, stainless steel 1.4571	B	1143,-	28,-	1171,-
Grid, hot-dip galvanized	B	138,-	28,-	166,-
<b>VAW 1000-2, stainless steel 1.4571</b>	B	3216,-	174,-	3390,-
Grid, stainless steel 1.4571	B	2070,-	89,-	2159,-
Grid, hot-dip galvanized	B	224,-	89,-	313,-
Heating Chamber Type WK	Category	Price	Freight charges	Price including freight charges
<b>WK 29-2 E65, painted</b>	C	29650,-	on request	on request
<b>WK 29-2 E85, painted</b>	C	29815,-	on request	on request
<b>WK 57-2 E65, painted</b>	C	41623,-	on request	on request
<b>WK 57-2 E85, painted</b>	C	44000,-	on request	on request
Sump Tray Type WM	Category	Price	Freight charges	Price including freight charges
<b>WM-2/200, hot-dip galvanized</b>	B	280,-	89,-	369,-
Drum Support FA 60-1, hot-dip galvanized	B	105,-	15,-	120,-
Drum Support FA 60-2, hot-dip galvanized	B	114,-	18,-	132,-
Drum Support FA 60-3, hot-dip galvanized	B	133,-	21,-	154,-
Drum Support FA 200-1, hot-dip galvanized	B	114,-	15,-	129,-
Can Shelf Type GR-A, galvanized	B	133,-	50,-	183,-
Can Shelf Type GR-B, galvanized	B	133,-	50,-	183,-
Can Shelf Type GR-C, galvanized	B	133,-	50,-	183,-
<b>WM-4/200, hot-dip galvanized</b>	B	318,-	89,-	407,-
Drum Support FA 60-1, hot-dip galvanized	B	105,-	15,-	120,-
Drum Support FA 60-2, hot-dip galvanized	B	114,-	18,-	132,-
Drum Support FA 60-3, hot-dip galvanized	B	133,-	21,-	154,-
Drum Support FA 200-1, hot-dip galvanized	B	114,-	15,-	129,-
Drum Support FA 200-2, hot-dip galvanized	B	133,-	22,-	155,-
Can Shelf Type GR-A, galvanized	B	133,-	50,-	183,-
Can Shelf Type GR-B, galvanized	B	133,-	50,-	183,-
Can Shelf Type GR-C, galvanized	B	133,-	50,-	183,-
<b>WM-4/400, hot-dip galvanized</b>	B	382,-	124,-	506,-
Sump Tray Type WO	Category	Price	Freight charges	Price including freight charges
<b>WO-2/200, hot-dip galvanized</b>	B	213,-	89,-	302,-
<b>WO-4/200, hot-dip galvanized</b>	B	231,-	89,-	320,-

Prices in EUR, valid EXW DE-46354 Südlohn, DE-38820 Halberstadt, unpacked  
Freight charges valid CPT Poland, islands and oversea territories excluded

# Price List 0424 en-PL

## Environment / Storage



Sump Tray Type WO	Category	Price	Freight charges	Price including freight charges
WO-4/400, hot-dip galvanized	B	298,-	89,-	387,-
Polyethylene Sump Pallet Type WP	Category	Price	Freight charges	Price including freight charges
WP 1/11, made of robust polyethylene	B	1052,-	89,-	1141,-
WP 2/11, made of robust polyethylene	B	1330,-	89,-	1419,-
Dispensing Tray VB 2, robust polyethylene, blue	B	152,-	50,-	202,-
Polyethylene Sump Pallet Type WPA-PE	Category	Price	Freight charges	Price including freight charges
WPA-PE 2/2, made of robust polyethylene	B	313,-	89,-	402,-
WPA-PE 4/2, made of robust polyethylene	B	494,-	89,-	583,-
Polyethylene Sump Pallet Type WP-PE	Category	Price	Freight charges	Price including freight charges
WP-PE 1/11, made of robust polyethylene	B	1139,-	89,-	1228,-
Dispensing Tray VB 1, robust polyethylene, blue	B	163,-	50,-	213,-
WP-PE 2/11, made of robust polyethylene	B	1507,-	174,-	1681,-
Dispensing Tray VB 2, robust polyethylene, blue	B	152,-	50,-	202,-
WP-PE 2/2, made of robust polyethylene	B	290,-	89,-	379,-
WP-PE 4/2, made of robust polyethylene	B	453,-	89,-	542,-
WP-PE 4/4, made of robust polyethylene	B	470,-	89,-	559,-
WP-PE 8/11, made of robust polyethylene	B	1507,-	174,-	1681,-
Mobile Polyethylene Sump Tray Type WPT	Category	Price	Freight charges	Price including freight charges
WPT 230, made of robust polyethylene	B	519,-	89,-	608,-

Prices in EUR, valid EXW DE-46354 Südlohn, DE-38820 Halberstadt, unpacked  
Freight charges valid CPT Poland, islands and oversea territories excluded

## Price List 0424 en-PL

### Hazardous Materials Containers

Fluorescent Tube Box Type AL-D	Category	Price	Freight charges	Price including freight charges
AL-D 150, aluminium	C	500,-	89,-	589,-
AL-D 200, aluminium	C	551,-	89,-	640,-
Collecting Container Type ASB	Category	Price	Freight charges	Price including freight charges
ASB 250, hot-dip galvanized	C	1969,-	175,-	2144,-
ASB 450-I, hot-dip galvanized	C	2082,-	175,-	2257,-
Special Waste Container Type ASK	Category	Price	Freight charges	Price including freight charges
ASK 540-4, hot-dip galvanized	C	on request	on request	on request
Duo-Container Type DC	Category	Price	Freight charges	Price including freight charges
DC 450, hot-dip galvanized	C	2267,-	on request	on request
Stainless steel strainer	D	113,-	9,-	122,-
Wing nut spanner for M12, hot-dip galvanized	F	33,-	15,-	48,-
DC 1000, hot-dip galvanized	C	2408,-	on request	on request
Stainless steel strainer	D	113,-	9,-	122,-
Wing nut spanner for M12, hot-dip galvanized	F	33,-	15,-	48,-
Lithium-Ion Storage Container Type LIL	Category	Price	Freight charges	Price including freight charges
LIL 30, hot-dip galvanized	B	1871,-	89,-	1960,-
LIL 90, hot-dip galvanized	B	2720,-	124,-	2844,-
Castor Set, polyamide, Load capacity 1050 kg / castor set	A	150,-	15,-	165,-
LIL 220, hot-dip galvanized	B	4699,-	175,-	4874,-
Castor Set, polyamide, Load capacity 1050 kg / castor set	A	150,-	15,-	165,-
LIL 280, hot-dip galvanized	B	5685,-	175,-	5860,-
Castor Set, polyamide, Load capacity 1050 kg / castor set	A	150,-	15,-	165,-
MobiCont Type M 800	Category	Price	Freight charges	Price including freight charges
M 800, painted	C	1342,-	175,-	1517,-
Level Indicator	C	212,-	9,-	221,-
Funnel for filling, PP	D	65,-	9,-	74,-
Filling/Extraction lid	C	65,-	9,-	74,-
Lid, galvanized, without a lock	C	188,-	15,-	203,-
Lid, galvanized, with square lock	C	233,-	18,-	251,-
Lid, galvanized, with cylinder lock	C	233,-	18,-	251,-
Castor Set, polyamide, Load capacity 1350 kg / castor set	A	185,-	15,-	200,-
Hand Pump K 10 C, connects to drum thread, suitable for fuels and heating fuel	C	91,-	14,-	105,-
Hose Kit (1.5 m) for Hand Pump Type K 10 C, suitable for diesel and fuel	C	65,-	14,-	79,-
Hose Kit (3 m) for Hand Pump Type K 10 C, suitable for diesel and fuel	C	92,-	15,-	107,-
Hose Kit (4 m) for Hand Pump Type K 10 C, suitable for diesel and fuel	C	105,-	15,-	120,-
Electric Pump TecPump 400 DC 12V	C	492,-	15,-	507,-

Prices in EUR, valid EXW DE-46354 Südlohn, DE-38820 Halberstadt, unpacked  
Freight charges valid CPT Poland, islands and oversea territories excluded

# Price List 0424 en-PL

## Hazardous Materials Containers



MobiCont Type M 800	Category	Price	Freight charges	Price including freight charges
Electric Pump TecPump 400 DC 24V	C	492,-	15,-	507,-
Electric Pump TecPump 600 AC 230V	C	492,-	15,-	507,-
<b>M 800, hot-dip galvanized</b>	C	1432,-	175,-	1607,-
Level Indicator	C	212,-	9,-	221,-
Funnel for filling, PP	D	65,-	9,-	74,-
Filling/Extraction lid	C	65,-	9,-	74,-
Lid, galvanized, without a lock	C	188,-	15,-	203,-
Lid, galvanized, with square lock	C	233,-	18,-	251,-
Lid, galvanized, with cylinder lock	C	233,-	18,-	251,-
Castor Set, polyamide, Load capacity 1350 kg / castor set	A	185,-	15,-	200,-
Hand Pump K 10 C, connects to drum thread, suitable for fuels and heating fuel	C	91,-	14,-	105,-
Hose Kit (1.5 m) for Hand Pump Type K 10 C, suitable for diesel and fuel	C	65,-	14,-	79,-
Hose Kit (3 m) for Hand Pump Type K 10 C, suitable for diesel and fuel	C	92,-	15,-	107,-
Hose Kit (4 m) for Hand Pump Type K 10 C, suitable for diesel and fuel	C	105,-	15,-	120,-
Electric Pump TecPump 400 DC 12V	C	492,-	15,-	507,-
Electric Pump TecPump 400 DC 24V	C	492,-	15,-	507,-
Electric Pump TecPump 600 AC 230V	C	492,-	15,-	507,-

MobiCont Type MD	Category	Price	Freight charges	Price including freight charges
<b>MD 800, painted</b>	C	1868,-	175,-	2043,-
Level Indicator	C	212,-	9,-	221,-
Hand Pump K 10 C, connects to drum thread, suitable for fuels and heating fuel	C	91,-	14,-	105,-
Hose Kit (1.5 m) for Hand Pump Type K 10 C, suitable for diesel and fuel	C	65,-	14,-	79,-
Hose Kit (3 m) for Hand Pump Type K 10 C, suitable for diesel and fuel	C	92,-	15,-	107,-
Hose Kit (4 m) for Hand Pump Type K 10 C, suitable for diesel and fuel	C	105,-	15,-	120,-
Electric Pump TecPump 400 DC 12V	C	492,-	15,-	507,-
Electric Pump TecPump 400 DC 24V	C	492,-	15,-	507,-
Electric Pump TecPump 600 AC 230V	C	492,-	15,-	507,-
<b>MD 800, hot-dip galvanized</b>	C	1956,-	175,-	2131,-
Level Indicator	C	212,-	9,-	221,-
Hand Pump K 10 C, connects to drum thread, suitable for fuels and heating fuel	C	91,-	14,-	105,-
Hose Kit (1.5 m) for Hand Pump Type K 10 C, suitable for diesel and fuel	C	65,-	14,-	79,-
Hose Kit (3 m) for Hand Pump Type K 10 C, suitable for diesel and fuel	C	92,-	15,-	107,-
Hose Kit (4 m) for Hand Pump Type K 10 C, suitable for diesel and fuel	C	105,-	15,-	120,-
Electric Pump TecPump 400 DC 12V	C	492,-	15,-	507,-
Electric Pump TecPump 400 DC 24V	C	492,-	15,-	507,-
Electric Pump TecPump 600 AC 230V	C	492,-	15,-	507,-

MobiCont Type MO	Category	Price	Freight charges	Price including freight charges
<b>MO 800, painted</b>	C	on request	on request	on request
Level Indicator	C	212,-	9,-	221,-
<b>MO 800, hot-dip galvanized</b>	C	on request	on request	on request
Level Indicator	C	212,-	9,-	221,-

Prices in EUR, valid EXW DE-46354 Südlohn, DE-38820 Halberstadt, unpacked  
Freight charges valid CPT Poland, islands and oversea territories excluded

# Price List 0424 en-PL

## Hazardous Materials Containers



Fuel Container Type MT	Category	Price	Freight charges	Price including freight charges
<b>MT 450, hot-dip galvanized</b>	C	2147,-	175,-	2322,-
Level Indicator	C	212,-	9,-	221,-
Hand Pump K 10 C, connects to drum thread, suitable for fuels and heating fuel	C	91,-	14,-	105,-
Digital Flow Counter FMT 3 with screwed joints	C	309,-	9,-	318,-
Electric Pump TecPump 400 DC 12V	C	492,-	12,-	504,-
Electric Pump TecPump 400 DC 24V	C	492,-	12,-	504,-
Electric Pump TecPump 600 AC 230V	C	492,-	12,-	504,-
Counter Z 400, Retrofit Kit for Electric Pumps TecPump 400 DC 12V, 400 DC 24V and 600 AC 230V	C	153,-	9,-	162,-
<b>MT 600, hot-dip galvanized</b>	C	2554,-	175,-	2729,-
Level Indicator	C	212,-	9,-	221,-
Hand Pump K 10 C, connects to drum thread, suitable for fuels and heating fuel	C	91,-	14,-	105,-
Digital Flow Counter FMT 3 with screwed joints	C	309,-	9,-	318,-
Electric Pump TecPump 400 DC 12V	C	492,-	12,-	504,-
Electric Pump TecPump 400 DC 24V	C	492,-	12,-	504,-
Electric Pump TecPump 600 AC 230V	C	492,-	12,-	504,-
Counter Z 400, Retrofit Kit for Electric Pumps TecPump 400 DC 12V, 400 DC 24V and 600 AC 230V	C	153,-	9,-	162,-
<b>MT 1000, hot-dip galvanized</b>	C	2761,-	226,-	2987,-
Level Indicator	C	212,-	9,-	221,-
Hand Pump K 10 C, connects to drum thread, suitable for fuels and heating fuel	C	91,-	14,-	105,-
Digital Flow Counter FMT 3 with screwed joints	C	309,-	9,-	318,-
Electric Pump TecPump 400 DC 12V	C	492,-	12,-	504,-
Electric Pump TecPump 400 DC 24V	C	492,-	12,-	504,-
Electric Pump TecPump 600 AC 230V	C	492,-	12,-	504,-
Counter Z 400, Retrofit Kit for Electric Pumps TecPump 400 DC 12V, 400 DC 24V and 600 AC 230V	C	153,-	9,-	162,-
MobiCont Type MW	Category	Price	Freight charges	Price including freight charges
<b>MW 800, painted</b>	C	1722,-	175,-	1897,-
Level Indicator	C	212,-	9,-	221,-
Filling coupling	C	51,-	8,-	59,-
Tank heating, 220 W	C	371,-	12,-	383,-
Tank fitting	B	64,-	9,-	73,-
Anti-siphon valve	D	68,-	8,-	76,-
Aeration/Vent valve	C	26,-	8,-	34,-
<b>MW 800, hot-dip galvanized</b>	C	1813,-	175,-	1988,-
Level Indicator	C	212,-	9,-	221,-
Filling coupling	C	51,-	8,-	59,-
Tank heating, 220 W	C	371,-	12,-	383,-
Tank fitting	B	64,-	9,-	73,-
Anti-siphon valve	D	68,-	8,-	76,-
Aeration/Vent valve	C	26,-	8,-	34,-
Special Waste Container Type SAF	Category	Price	Freight charges	Price including freight charges
<b>SAF 450, hot-dip galvanized</b>	C	on request	on request	on request
<b>SAF 600, hot-dip galvanized</b>	C	on request	on request	on request
<b>SAF 1000, hot-dip galvanized</b>	C	on request	on request	on request

Prices in EUR, valid EXW DE-46354 Südlohn, DE-38820 Halberstadt, unpacked  
Freight charges valid CPT Poland, islands and oversea territories excluded



# Price List 0424 en-PL

## Hazardous Materials Containers



Large Salvage Packaging Type SAG	Category	Price	Freight charges	Price including freight charges
SAG 800, hot-dip galvanized	C	1102,-	175,-	1277,-
SAG 1500, hot-dip galvanized	C	2078,-	on request	on request
Polyethylene sacks, 25 pieces on roll	C	180,-	39,-	219,-
SAG 2100, hot-dip galvanized	C	2180,-	on request	on request
Polyethylene sacks, 25 pieces on roll	C	180,-	39,-	219,-
SAG 2700, hot-dip galvanized	C	2252,-	on request	on request
Polyethylene sacks, 25 pieces on roll	C	180,-	39,-	219,-

Special Waste Container Type SAP	Category	Price	Freight charges	Price including freight charges
SAP 450, hot-dip galvanized	C	on request	on request	on request
Polyethylene sacks, 50 pieces on roll - 0,085 mm	C	134,-	59,-	193,-
SAP 600, hot-dip galvanized	C	on request	on request	on request
Polyethylene sacks, 50 pieces on roll - 0,085 mm	C	134,-	59,-	193,-
SAP 800, hot-dip galvanized	C	on request	on request	on request
Polyethylene sacks, 50 pieces on roll - 0,085 mm	C	134,-	59,-	193,-

Special Waste Container Type SAP-1	Category	Price	Freight charges	Price including freight charges
SAP 450-1, hot-dip galvanized	C	on request	on request	on request
Polyethylene sacks, 50 pieces on roll - 0,085 mm	C	134,-	59,-	193,-
SAP 600-1, hot-dip galvanized	C	on request	on request	on request
Polyethylene sacks, 50 pieces on roll - 0,085 mm	C	134,-	59,-	193,-
SAP 800-1, hot-dip galvanized	C	on request	on request	on request
Polyethylene sacks, 50 pieces on roll - 0,085 mm	C	134,-	59,-	193,-
SAP 800-3, hot-dip galvanized	C	on request	on request	on request
Polyethylene sacks, 50 pieces on roll - 0,085 mm	C	134,-	59,-	193,-

Used Battery Container Type SAP 600 K	Category	Price	Freight charges	Price including freight charges
SAP 600 K, hot-dip galvanized	C	on request	on request	on request

Used Battery Container Type SAP 601 K	Category	Price	Freight charges	Price including freight charges
SAP 601 K, hot-dip galvanized	C	on request	on request	on request

Special Waste Container Type SAS	Category	Price	Freight charges	Price including freight charges
SAS 800, hot-dip galvanized	C	on request	on request	on request

Hazardous Materials Container Type SF	Category	Price	Freight charges	Price including freight charges
SF 240, hot-dip galvanized	C	on request	on request	on request

Fluorescent Tube Box Type SL	Category	Price	Freight charges	Price including freight charges
SL 150, painted	C	664,-	124,-	788,-
SL 150, hot-dip galvanized	C	794,-	124,-	918,-
SL 200, painted	C	740,-	124,-	864,-
SL 200, hot-dip galvanized	C	871,-	175,-	1046,-

Prices in EUR, valid EXW DE-46354 Südlohn, DE-38820 Halberstadt, unpacked  
 Freight charges valid CPT Poland, islands and oversea territories excluded

# Price List 0424 en-PL

## Hazardous Materials Containers



Fluorescent Tube Box Type SL-D	Category	Price	Freight charges	Price including freight charges
SL-D 150, painted	C	731,-	124,-	855,-
Removable Tray, galvanized	C	84,-	10,-	94,-
SL-D 150, hot-dip galvanized	C	850,-	124,-	974,-
Removable Tray, galvanized	C	84,-	10,-	94,-
SL-D 200, painted	C	808,-	124,-	932,-
Removable Tray, galvanized	C	84,-	10,-	94,-
SL-D 200, hot-dip galvanized	C	940,-	124,-	1064,-
Removable Tray, galvanized	C	84,-	10,-	94,-
Fluorescent Tube Box Type SL-N	Category	Price	Freight charges	Price including freight charges
SL-N 220, painted	C	831,-	124,-	955,-
SL-N 220, hot-dip galvanized	C	969,-	124,-	1093,-
Special Waste Container Type SP	Category	Price	Freight charges	Price including freight charges
SP 100, hot-dip galvanized	C	on request	on request	on request
SP 240, hot-dip galvanized	C	on request	on request	on request
Transport Box for Aerosol Cans Type STB	Category	Price	Freight charges	Price including freight charges
STB 1000, hot-dip galvanized	C	on request	on request	on request
Polyethylene sacks, 50 pieces on roll	C	185,-	59,-	244,-
Absorbent felt, 100 pieces	C	353,-	50,-	403,-

Prices in EUR, valid EXW DE-46354 Südlohn, DE-38820 Halberstadt, unpacked  
Freight charges valid CPT Poland, islands and oversea territories excluded