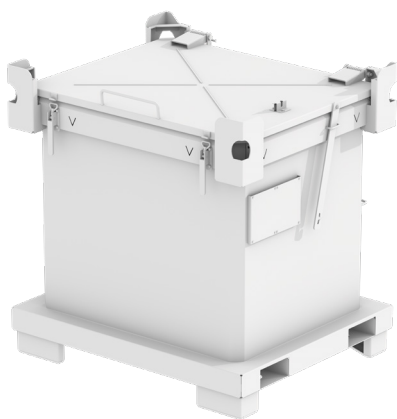
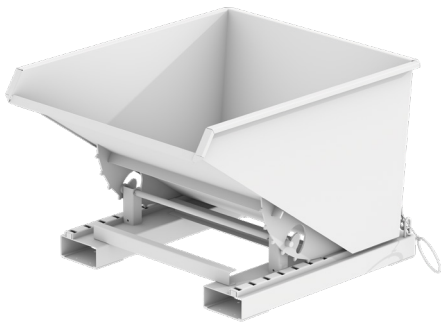


...made by



## PRICE LIST 0424 EN-R0

**FORKLIFT TRUCK ATTACHMENTS**

**WORKSPACE MATERIAL HANDLING**

**ENVIRONMENT / STORAGE**

**HAZARDOUS MATERIALS CONTAINERS**

**INNOVATION – CONSTRUCTION – PRODUCTION**

*... for more than 55 years*

## Price List 0424 en-RO

### Forklift Truck Attachments

Drum Gripper Type 3P	Category	Price	Freight charges	Price including freight charges
3P, painted	B	910,-	164,-	1074,-
3P, hot-dip galvanized	B	956,-	164,-	1120,-

Tilting Container Type 3S	Category	Price	Freight charges	Price including freight charges
3S 300, painted	A	1201,-	277,-	1478,-
Lid, galvanized	A	168,-	18,-	186,-
Castor Set, polyamide, Load capacity 1050 kg / castor set	A	131,-	15,-	146,-
3S 300, hot-dip galvanized	A	1296,-	406,-	1702,-
Lid, galvanized	A	168,-	18,-	186,-
Castor Set, polyamide, Load capacity 1050 kg / castor set	A	131,-	15,-	146,-
3S 600, painted	A	1256,-	406,-	1662,-
Lid, galvanized	A	189,-	22,-	211,-
Castor Set, polyamide, Load capacity 1050 kg / castor set	A	131,-	15,-	146,-
3S 600, hot-dip galvanized	A	1354,-	406,-	1760,-
Lid, galvanized	A	189,-	22,-	211,-
Castor Set, polyamide, Load capacity 1050 kg / castor set	A	131,-	15,-	146,-

Automatic Tilting Container Type 4A	Category	Price	Freight charges	Price including freight charges
4A 600, painted	A	1065,-	277,-	1342,-
Lid, galvanized	A	189,-	22,-	211,-
Skip Body Welded Oil and Watertight	A	75,-	0,-	75,-
4A 600, hot-dip galvanized	A	1207,-	277,-	1484,-
Lid, galvanized	A	189,-	22,-	211,-
Skip Body Welded Oil and Watertight	A	75,-	0,-	75,-
4A 900, painted	A	1197,-	406,-	1603,-
Lid, galvanized	A	215,-	27,-	242,-
Skip Body Welded Oil and Watertight	A	75,-	0,-	75,-
4A 900, hot-dip galvanized	A	1375,-	406,-	1781,-
Lid, galvanized	A	215,-	27,-	242,-
Skip Body Welded Oil and Watertight	A	75,-	0,-	75,-
4A 1200, painted	A	1282,-	406,-	1688,-
Lid, galvanized	A	215,-	26,-	241,-
Skip Body Welded Oil and Watertight	A	116,-	0,-	116,-
4A 1200, hot-dip galvanized	A	1505,-	406,-	1911,-
Lid, galvanized	A	215,-	26,-	241,-
Skip Body Welded Oil and Watertight	A	116,-	0,-	116,-

Drum Gripper Type 4P	Category	Price	Freight charges	Price including freight charges
4P, painted	B	558,-	118,-	676,-
4P, hot-dip galvanized	B	532,-	118,-	650,-

Prices in EUR, valid EXW DE-46354 Südlohn, DE-38820 Halberstadt, unpacked  
 Freight charges valid CPT Romania, islands and oversea territories excluded

# Price List 0424 en-RO

## Forklift Truck Attachments



Drum Gripper Type 4P-D	Category	Price	Freight charges	Price including freight charges
4P-D120, painted	B	558,-	118,-	676,-
4P-D120, hot-dip galvanized	B	532,-	118,-	650,-
4P-D220, painted	B	558,-	118,-	676,-
4P-D220, hot-dip galvanized	B	532,-	118,-	650,-

Tilting Container Type AK	Category	Price	Freight charges	Price including freight charges
<b>AK 50, painted</b>	A	774,-	277,-	1051,-
Lid, galvanized	A	135,-	16,-	151,-
Castor Set, polyamide, Load capacity 1050 kg / castor set	A	131,-	15,-	146,-
Skip Body Welded Oil and Watertight	A	75,-	0,-	75,-
<b>AK 50, hot-dip galvanized</b>	A	923,-	277,-	1200,-
Lid, galvanized	A	135,-	16,-	151,-
Castor Set, polyamide, Load capacity 1050 kg / castor set	A	131,-	15,-	146,-
Skip Body Welded Oil and Watertight	A	75,-	0,-	75,-
<b>AK 75, painted</b>	A	866,-	277,-	1143,-
Lid, galvanized	A	185,-	21,-	206,-
Castor Set, polyamide, Load capacity 1050 kg / castor set	A	131,-	15,-	146,-
Skip Body Welded Oil and Watertight	A	75,-	0,-	75,-
<b>AK 75, hot-dip galvanized</b>	A	1012,-	406,-	1418,-
Lid, galvanized	A	185,-	21,-	206,-
Castor Set, polyamide, Load capacity 1050 kg / castor set	A	131,-	15,-	146,-
Skip Body Welded Oil and Watertight	A	75,-	0,-	75,-
<b>AK 100, painted</b>	A	937,-	406,-	1343,-
Lid, galvanized	A	210,-	26,-	236,-
Castor Set, polyamide, Load capacity 1050 kg / castor set	A	131,-	15,-	146,-
Skip Body Welded Oil and Watertight	A	116,-	0,-	116,-
<b>AK 100, hot-dip galvanized</b>	A	1094,-	406,-	1500,-
Lid, galvanized	A	210,-	26,-	236,-
Castor Set, polyamide, Load capacity 1050 kg / castor set	A	131,-	15,-	146,-
Skip Body Welded Oil and Watertight	A	116,-	0,-	116,-
<b>AK 150, painted</b>	A	1196,-	406,-	1602,-
Lid, galvanized	A	294,-	28,-	322,-
Castor Set, polyamide, Load capacity 1050 kg / castor set	A	131,-	15,-	146,-
Skip Body Welded Oil and Watertight	A	116,-	0,-	116,-
<b>AK 150, hot-dip galvanized</b>	A	1399,-	406,-	1805,-
Lid, galvanized	A	294,-	28,-	322,-
Castor Set, polyamide, Load capacity 1050 kg / castor set	A	131,-	15,-	146,-
Skip Body Welded Oil and Watertight	A	116,-	0,-	116,-

Container for Building Materials Type BBG	Category	Price	Freight charges	Price including freight charges
<b>BBG 100, painted</b>	A	391,-	277,-	668,-
Lid, galvanized	A	182,-	164,-	346,-
<b>BBG 100, hot-dip galvanized</b>	A	479,-	277,-	756,-
Lid, galvanized	A	182,-	164,-	346,-

Prices in EUR, valid EXW DE-46354 Südlohn, DE-38820 Halberstadt, unpacked  
 Freight charges valid CPT Romania, islands and oversea territories excluded

# Price List 0424 en-RO

## Forklift Truck Attachments



Container for Building Materials Type BBK	Category	Price	Freight charges	Price including freight charges
<b>BBK 100, painted</b>	A	479,-	277,-	756,-
Lid, galvanized	A	182,-	164,-	346,-
<b>BBK 100, hot-dip galvanized</b>	A	551,-	277,-	828,-
Lid, galvanized	A	182,-	164,-	346,-
Material Container Type BBM	Category	Price	Freight charges	Price including freight charges
<b>BBM 500, painted</b>	A	314,-	164,-	478,-
<b>BBM 500, hot-dip galvanized</b>	A	346,-	164,-	510,-
Container for Building Materials Type BBP	Category	Price	Freight charges	Price including freight charges
<b>BBP 100, painted</b>	A	418,-	164,-	582,-
Lid, galvanized	A	182,-	164,-	346,-
Pick-up cones (pins) and angle iron traverse lock	A	49,-	10,-	59,-
<b>BBP 100, hot-dip galvanized</b>	A	493,-	164,-	657,-
Lid, galvanized	A	182,-	164,-	346,-
Pick-up cones (pins) and angle iron traverse lock	A	49,-	10,-	59,-
Tilting Traverse for Containers for Building Material Containers Type BBT	Category	Price	Freight charges	Price including freight charges
<b>BBT, painted</b>	A	551,-	277,-	828,-
<b>BBT, hot-dip galvanized</b>	A	627,-	277,-	904,-
Building Materials Container Type BC	Category	Price	Freight charges	Price including freight charges
<b>BC 500, painted</b>	B	924,-	277,-	1201,-
Lid, galvanized	B	138,-	16,-	154,-
Castor Set, polyamide, Load capacity 1350 kg / castor set	A	185,-	15,-	200,-
<b>BC 500, hot-dip galvanized</b>	B	1139,-	406,-	1545,-
Lid, galvanized	B	138,-	16,-	154,-
Castor Set, polyamide, Load capacity 1350 kg / castor set	A	185,-	15,-	200,-
<b>BC 500 (brick clamp operated), painted</b>	B	991,-	277,-	1268,-
Lid, galvanized	B	138,-	16,-	154,-
Castor Set, polyamide, Load capacity 1350 kg / castor set	A	185,-	15,-	200,-
<b>BC 500 (brick clamp operated), hot-dip galvanized</b>	B	1207,-	406,-	1613,-
Lid, galvanized	B	138,-	16,-	154,-
Castor Set, polyamide, Load capacity 1350 kg / castor set	A	185,-	15,-	200,-
<b>BC 1000, painted</b>	B	1007,-	406,-	1413,-
Lid, galvanized	B	138,-	16,-	154,-
Castor Set, polyamide, Load capacity 1350 kg / castor set	A	185,-	15,-	200,-
<b>BC 1000, hot-dip galvanized</b>	B	1271,-	406,-	1677,-
Lid, galvanized	B	138,-	16,-	154,-
Castor Set, polyamide, Load capacity 1350 kg / castor set	A	185,-	15,-	200,-
<b>BC 1000 (brick clamp operated), painted</b>	B	1073,-	406,-	1479,-
Lid, galvanized	B	138,-	16,-	154,-
Castor Set, polyamide, Load capacity 1350 kg / castor set	A	185,-	15,-	200,-
<b>BC 1000 (brick clamp operated), hot-dip galvanized</b>	B	1339,-	406,-	1745,-
Lid, galvanized	B	138,-	16,-	154,-

Prices in EUR, valid EXW DE-46354 Südlohn, DE-38820 Halberstadt, unpacked  
Freight charges valid CPT Romania, islands and oversea territories excluded

# Price List 0424 en-RO

## Forklift Truck Attachments



Building Materials Container Type BC	Category	Price	Freight charges	Price including freight charges
Castor Set, polyamide, Load capacity 1350 kg / castor set	A	185,-	15,-	200,-
Tilting Container Type BK	Category	Price	Freight charges	Price including freight charges
<b>BK 30, painted</b>	A	676,-	277,-	953,-
Lid, galvanized	A	94,-	18,-	112,-
Castor Set, polyamide, Load capacity 1350 kg / castor set	A	185,-	15,-	200,-
Castor Set, polyamide, Load capacity 2550 kg / castor set	A	366,-	15,-	381,-
Skip Body Welded Oil and Watertight	A	75,-	0,-	75,-
<b>BK 30, hot-dip galvanized</b>	A	950,-	277,-	1227,-
Lid, galvanized	A	94,-	18,-	112,-
Castor Set, polyamide, Load capacity 1350 kg / castor set	A	185,-	15,-	200,-
Castor Set, polyamide, Load capacity 2550 kg / castor set	A	366,-	15,-	381,-
Skip Body Welded Oil and Watertight	A	75,-	0,-	75,-
<b>BK 50, painted</b>	A	950,-	277,-	1227,-
Lid, galvanized	A	94,-	20,-	114,-
Castor Set, polyamide, Load capacity 1350 kg / castor set	A	185,-	15,-	200,-
Castor Set, polyamide, Load capacity 2550 kg / castor set	A	366,-	15,-	381,-
Skip Body Welded Oil and Watertight	A	75,-	0,-	75,-
<b>BK 50, hot-dip galvanized</b>	A	1282,-	406,-	1688,-
Lid, galvanized	A	94,-	20,-	114,-
Castor Set, polyamide, Load capacity 1350 kg / castor set	A	185,-	15,-	200,-
Castor Set, polyamide, Load capacity 2550 kg / castor set	A	366,-	15,-	381,-
Skip Body Welded Oil and Watertight	A	75,-	0,-	75,-
<b>BK 80, painted</b>	A	1253,-	406,-	1659,-
Lid, galvanized	A	139,-	22,-	161,-
Castor Set, polyamide, Load capacity 1350 kg / castor set	A	185,-	15,-	200,-
Castor Set, polyamide, Load capacity 2550 kg / castor set	A	366,-	15,-	381,-
Skip Body Welded Oil and Watertight	A	75,-	0,-	75,-
<b>BK 80, hot-dip galvanized</b>	A	1752,-	406,-	2158,-
Lid, galvanized	A	139,-	22,-	161,-
Castor Set, polyamide, Load capacity 1350 kg / castor set	A	185,-	15,-	200,-
Castor Set, polyamide, Load capacity 2550 kg / castor set	A	366,-	15,-	381,-
Skip Body Welded Oil and Watertight	A	75,-	0,-	75,-
<b>BK 100, painted</b>	A	1457,-	406,-	1863,-
Lid, galvanized	A	167,-	27,-	194,-
Castor Set, polyamide, Load capacity 1350 kg / castor set	A	185,-	15,-	200,-
Castor Set, polyamide, Load capacity 2550 kg / castor set	A	366,-	15,-	381,-
Skip Body Welded Oil and Watertight	A	116,-	0,-	116,-
<b>BK 100, hot-dip galvanized</b>	A	2000,-	406,-	2406,-
Lid, galvanized	A	167,-	27,-	194,-
Castor Set, polyamide, Load capacity 1350 kg / castor set	A	185,-	15,-	200,-
Castor Set, polyamide, Load capacity 2550 kg / castor set	A	366,-	15,-	381,-
Skip Body Welded Oil and Watertight	A	116,-	0,-	116,-
<b>BK 120, painted</b>	A	1584,-	406,-	1990,-
Lid, galvanized	A	177,-	32,-	209,-
Castor Set, polyamide, Load capacity 1350 kg / castor set	A	185,-	15,-	200,-

Prices in EUR, valid EXW DE-46354 Südlohn, DE-38820 Halberstadt, unpacked  
Freight charges valid CPT Romania, islands and oversea territories excluded

# Price List 0424 en-RO

## Forklift Truck Attachments



Tilting Container Type BK	Category	Price	Freight charges	Price including freight charges
Castor Set, polyamide, Load capacity 2550 kg / castor set	A	366,-	15,-	381,-
Skip Body Welded Oil and Watertight	A	116,-	0,-	116,-
<b>BK 120, hot-dip galvanized</b>	A	2159,-	406,-	2565,-
Lid, galvanized	A	177,-	32,-	209,-
Castor Set, polyamide, Load capacity 1350 kg / castor set	A	185,-	15,-	200,-
Castor Set, polyamide, Load capacity 2550 kg / castor set	A	366,-	15,-	381,-
Skip Body Welded Oil and Watertight	A	116,-	0,-	116,-
<b>BK 150, painted</b>	A	1740,-	491,-	2231,-
Lid, galvanized	A	203,-	39,-	242,-
Castor Set, polyamide, Load capacity 1350 kg / castor set	A	185,-	15,-	200,-
Castor Set, polyamide, Load capacity 2550 kg / castor set	A	366,-	15,-	381,-
Skip Body Welded Oil and Watertight	A	116,-	0,-	116,-
<b>BK 150, hot-dip galvanized</b>	A	2361,-	491,-	2852,-
Lid, galvanized	A	203,-	39,-	242,-
Castor Set, polyamide, Load capacity 1350 kg / castor set	A	185,-	15,-	200,-
Castor Set, polyamide, Load capacity 2550 kg / castor set	A	366,-	15,-	381,-
Skip Body Welded Oil and Watertight	A	116,-	0,-	116,-
<b>BK 200, painted</b>	A	2164,-	491,-	2655,-
Lid, galvanized	A	215,-	164,-	379,-
Castor Set, polyamide, Load capacity 1350 kg / castor set	A	185,-	15,-	200,-
Castor Set, polyamide, Load capacity 2550 kg / castor set	A	366,-	15,-	381,-
Skip Body Welded Oil and Watertight	A	116,-	0,-	116,-
<b>BK 200, hot-dip galvanized</b>	A	2948,-	718,-	3666,-
Lid, galvanized	A	215,-	164,-	379,-
Castor Set, polyamide, Load capacity 1350 kg / castor set	A	185,-	15,-	200,-
Castor Set, polyamide, Load capacity 2550 kg / castor set	A	366,-	15,-	381,-
Skip Body Welded Oil and Watertight	A	116,-	0,-	116,-
Container With Drop Away Base Type BKB	Category	Price	Freight charges	Price including freight charges
<b>BKB 500, painted</b>	A	737,-	277,-	1014,-
Lid, galvanized	A	189,-	18,-	207,-
Castor Set, polyamide, Load capacity 1350 kg / castor set	A	185,-	15,-	200,-
<b>BKB 500, hot-dip galvanized</b>	A	876,-	277,-	1153,-
Lid, galvanized	A	189,-	18,-	207,-
Castor Set, polyamide, Load capacity 1350 kg / castor set	A	185,-	15,-	200,-
<b>BKB 700, painted</b>	A	788,-	277,-	1065,-
Lid, galvanized	A	189,-	18,-	207,-
Castor Set, polyamide, Load capacity 1350 kg / castor set	A	185,-	15,-	200,-
<b>BKB 700, hot-dip galvanized</b>	A	927,-	277,-	1204,-
Lid, galvanized	A	189,-	18,-	207,-
Castor Set, polyamide, Load capacity 1350 kg / castor set	A	185,-	15,-	200,-
<b>BKB 1000, painted</b>	A	835,-	277,-	1112,-
Lid, galvanized	A	189,-	18,-	207,-
Castor Set, polyamide, Load capacity 1350 kg / castor set	A	185,-	15,-	200,-
<b>BKB 1000, hot-dip galvanized</b>	A	994,-	277,-	1271,-
Lid, galvanized	A	189,-	18,-	207,-

Prices in EUR, valid EXW DE-46354 Südlohn, DE-38820 Halberstadt, unpacked  
Freight charges valid CPT Romania, islands and oversea territories excluded

# Price List 0424 en-RO

## Forklift Truck Attachments



Container With Drop Away Base Type BKB	Category	Price	Freight charges	Price including freight charges
Castor Set, polyamide, Load capacity 1350 kg / castor set	A	185,-	15,-	200,-

Tilting Container Type BKC	Category	Price	Freight charges	Price including freight charges
<b>BKC 200, painted</b>	A	2229,-	718,-	2947,-
Lid, galvanized	A	434,-	164,-	598,-
Skip Body Welded Oil and Watertight	A	116,-	0,-	116,-
<b>BKC 200, hot-dip galvanized</b>	A	2984,-	718,-	3702,-
Lid, galvanized	A	434,-	164,-	598,-
Skip Body Welded Oil and Watertight	A	116,-	0,-	116,-
<b>BKC 300, painted</b>	A	2471,-	718,-	3189,-
Lid, galvanized	A	434,-	164,-	598,-
Skip Body Welded Oil and Watertight	A	116,-	0,-	116,-
<b>BKC 300, hot-dip galvanized</b>	A	3253,-	718,-	3971,-
Lid, galvanized	A	434,-	164,-	598,-
Skip Body Welded Oil and Watertight	A	116,-	0,-	116,-
<b>BKC 400, painted</b>	A	3043,-	718,-	3761,-
Lid, galvanized	A	434,-	277,-	711,-
Skip Body Welded Oil and Watertight	A	116,-	0,-	116,-
<b>BKC 400, hot-dip galvanized</b>	A	3929,-	922,-	4851,-
Lid, galvanized	A	434,-	277,-	711,-
Skip Body Welded Oil and Watertight	A	116,-	0,-	116,-
<b>BKC 500, painted</b>	A	3535,-	922,-	4457,-
Lid, galvanized	A	434,-	277,-	711,-
Skip Body Welded Oil and Watertight	A	116,-	0,-	116,-
<b>BKC 500, hot-dip galvanized</b>	A	4484,-	922,-	5406,-
Lid, galvanized	A	434,-	277,-	711,-
Skip Body Welded Oil and Watertight	A	116,-	0,-	116,-

Tilting Container Type BKC-H	Category	Price	Freight charges	Price including freight charges
<b>BKC-H 200, painted</b>	A	3306,-	718,-	4024,-
Skip Body Welded Oil and Watertight	A	116,-	0,-	116,-
Lid, galvanized	A	434,-	164,-	598,-
<b>BKC-H 200, hot-dip galvanized</b>	A	4061,-	718,-	4779,-
Lid, galvanized	A	434,-	164,-	598,-
Skip Body Welded Oil and Watertight	A	116,-	0,-	116,-
<b>BKC-H 300, painted</b>	A	3548,-	718,-	4266,-
Skip Body Welded Oil and Watertight	A	116,-	0,-	116,-
Lid, galvanized	A	434,-	164,-	598,-
<b>BKC-H 300, hot-dip galvanized</b>	A	4331,-	718,-	5049,-
Lid, galvanized	A	434,-	164,-	598,-
Skip Body Welded Oil and Watertight	A	116,-	0,-	116,-
<b>BKC-H 400, painted</b>	A	4120,-	718,-	4838,-
Lid, galvanized	A	434,-	277,-	711,-
Skip Body Welded Oil and Watertight	A	116,-	0,-	116,-
<b>BKC-H 400, hot-dip galvanized</b>	A	5006,-	922,-	5928,-

Prices in EUR, valid EXW DE-46354 Südlohn, DE-38820 Halberstadt, unpacked  
Freight charges valid CPT Romania, islands and oversea territories excluded

# Price List 0424 en-RO

## Forklift Truck Attachments



Tilting Container Type BKC-H	Category	Price	Freight charges	Price including freight charges
Lid, galvanized	A	434,-	277,-	711,-
Skip Body Welded Oil and Watertight	A	116,-	0,-	116,-
<b>BKC-H 500, painted</b>	A	4612,-	922,-	5534,-
Lid, galvanized	A	434,-	277,-	711,-
Skip Body Welded Oil and Watertight	A	116,-	0,-	116,-
<b>BKC-H 500, hot-dip galvanized</b>	A	5561,-	922,-	6483,-
Skip Body Welded Oil and Watertight	A	116,-	0,-	116,-
Lid, galvanized	A	434,-	277,-	711,-

Tilting Container Type BKM	Category	Price	Freight charges	Price including freight charges
<b>BKM 30, painted</b>	A	676,-	277,-	953,-
Lid, galvanized	A	100,-	18,-	118,-
Castor Set, polyamide, Load capacity 1350 kg / castor set	A	185,-	15,-	200,-
Castor Set, polyamide, Load capacity 2550 kg / castor set	A	366,-	15,-	381,-
Skip Body Welded Oil and Watertight	A	75,-	0,-	75,-
<b>BKM 30, hot-dip galvanized</b>	A	950,-	277,-	1227,-
Lid, galvanized	A	100,-	18,-	118,-
Castor Set, polyamide, Load capacity 1350 kg / castor set	A	185,-	15,-	200,-
Castor Set, polyamide, Load capacity 2550 kg / castor set	A	366,-	15,-	381,-
Skip Body Welded Oil and Watertight	A	75,-	0,-	75,-
<b>BKM 50, painted</b>	A	950,-	277,-	1227,-
Lid, galvanized	A	125,-	21,-	146,-
Castor Set, polyamide, Load capacity 1350 kg / castor set	A	185,-	15,-	200,-
Castor Set, polyamide, Load capacity 2550 kg / castor set	A	366,-	15,-	381,-
Skip Body Welded Oil and Watertight	A	75,-	0,-	75,-
<b>BKM 50, hot-dip galvanized</b>	A	1282,-	277,-	1559,-
Lid, galvanized	A	125,-	21,-	146,-
Castor Set, polyamide, Load capacity 1350 kg / castor set	A	185,-	15,-	200,-
Castor Set, polyamide, Load capacity 2550 kg / castor set	A	366,-	15,-	381,-
Skip Body Welded Oil and Watertight	A	75,-	0,-	75,-
<b>BKM 75, painted</b>	A	1203,-	406,-	1609,-
Lid, galvanized	A	137,-	22,-	159,-
Castor Set, polyamide, Load capacity 1350 kg / castor set	A	185,-	15,-	200,-
Castor Set, polyamide, Load capacity 2550 kg / castor set	A	366,-	15,-	381,-
Skip Body Welded Oil and Watertight	A	75,-	0,-	75,-
<b>BKM 75, hot-dip galvanized</b>	A	1615,-	406,-	2021,-
Lid, galvanized	A	137,-	22,-	159,-
Castor Set, polyamide, Load capacity 1350 kg / castor set	A	185,-	15,-	200,-
Castor Set, polyamide, Load capacity 2550 kg / castor set	A	366,-	15,-	381,-
Skip Body Welded Oil and Watertight	A	75,-	0,-	75,-
<b>BKM 100, painted</b>	A	1457,-	406,-	1863,-
Lid, galvanized	A	178,-	27,-	205,-
Castor Set, polyamide, Load capacity 1350 kg / castor set	A	185,-	15,-	200,-
Castor Set, polyamide, Load capacity 2550 kg / castor set	A	366,-	15,-	381,-
Skip Body Welded Oil and Watertight	A	116,-	0,-	116,-
<b>BKM 100, hot-dip galvanized</b>	A	2000,-	406,-	2406,-

Prices in EUR, valid EXW DE-46354 Südlohn, DE-38820 Halberstadt, unpacked  
Freight charges valid CPT Romania, islands and oversea territories excluded



# Price List 0424 en-RO

## Forklift Truck Attachments



Tilting Container Type BKM	Category	Price	Freight charges	Price including freight charges
Lid, galvanized	A	178,-	27,-	205,-
Castor Set, polyamide, Load capacity 1350 kg / castor set	A	185,-	15,-	200,-
Castor Set, polyamide, Load capacity 2550 kg / castor set	A	366,-	15,-	381,-
Skip Body Welded Oil and Watertight	A	116,-	0,-	116,-
<b>BKM 150, painted</b>	A	1740,-	491,-	2231,-
Lid, galvanized	A	261,-	36,-	297,-
Castor Set, polyamide, Load capacity 1350 kg / castor set	A	185,-	15,-	200,-
Castor Set, polyamide, Load capacity 2550 kg / castor set	A	366,-	15,-	381,-
Skip Body Welded Oil and Watertight	A	116,-	0,-	116,-
<b>BKM 150, hot-dip galvanized</b>	A	2361,-	491,-	2852,-
Lid, galvanized	A	261,-	36,-	297,-
Castor Set, polyamide, Load capacity 1350 kg / castor set	A	185,-	15,-	200,-
Castor Set, polyamide, Load capacity 2550 kg / castor set	A	366,-	15,-	381,-
Skip Body Welded Oil and Watertight	A	116,-	0,-	116,-
<b>BKM 200, painted</b>	A	2164,-	491,-	2655,-
Lid, galvanized	A	291,-	164,-	455,-
Castor Set, polyamide, Load capacity 1350 kg / castor set	A	185,-	15,-	200,-
Castor Set, polyamide, Load capacity 2550 kg / castor set	A	366,-	15,-	381,-
Skip Body Welded Oil and Watertight	A	116,-	0,-	116,-
<b>BKM 200, hot-dip galvanized</b>	A	2948,-	718,-	3666,-
Lid, galvanized	A	291,-	164,-	455,-
Castor Set, polyamide, Load capacity 1350 kg / castor set	A	185,-	15,-	200,-
Castor Set, polyamide, Load capacity 2550 kg / castor set	A	366,-	15,-	381,-
Skip Body Welded Oil and Watertight	A	116,-	0,-	116,-
Traverse For Stacking Tipper Type BKT	Category	Price	Freight charges	Price including freight charges
<b>BKT 30, painted</b>	A	355,-	277,-	632,-
Traverse Stand Type TS, hot-dip galvanized	A	75,-	8,-	83,-
<b>BKT 55, painted</b>	A	376,-	277,-	653,-
Traverse Stand Type TS, hot-dip galvanized	A	75,-	9,-	84,-
<b>BKT 70, painted</b>	A	376,-	277,-	653,-
Traverse Stand Type TS, hot-dip galvanized	A	75,-	9,-	84,-
<b>BKT 90, painted</b>	A	378,-	277,-	655,-
Traverse Stand Type TS, hot-dip galvanized	A	75,-	9,-	84,-
<b>BKT 150, painted</b>	A	609,-	277,-	886,-
Traverse Stand Type TS, hot-dip galvanized	A	75,-	9,-	84,-
<b>BKT 200, painted</b>	A	672,-	277,-	949,-
Traverse Stand Type TS, hot-dip galvanized	A	75,-	9,-	84,-
Shovel Type BSE	Category	Price	Freight charges	Price including freight charges
<b>BSE 50, painted</b>	A	1435,-	406,-	1841,-
<b>BSE 75, painted</b>	A	1709,-	406,-	2115,-
<b>BSE 100, painted</b>	A	2143,-	491,-	2634,-
<b>BSE 150, painted</b>	A	2422,-	491,-	2913,-
<b>BSE 200, painted</b>	A	2691,-	718,-	3409,-

Prices in EUR, valid EXW DE-46354 Südlohn, DE-38820 Halberstadt, unpacked  
Freight charges valid CPT Romania, islands and oversea territories excluded

# Price List 0424 en-RO

## Forklift Truck Attachments



Shovel Type BSE	Category	Price	Freight charges	Price including freight charges
BSE 250, painted	A	3316,-	768,-	4084,-
Shovel Type BSI	Category	Price	Freight charges	Price including freight charges
BSI 50, painted	A	1214,-	277,-	1491,-
BSI 75, painted	A	1375,-	406,-	1781,-
BSI 100, painted	A	1725,-	406,-	2131,-
Stacking Tipper Type BSK	Category	Price	Freight charges	Price including freight charges
<b>BSK 30, painted</b>	A	256,-	164,-	420,-
Lid, galvanized	A	66,-	12,-	78,-
Castor Set, polyamide, Load capacity 1350 kg / castor set	A	185,-	15,-	200,-
Skip Body Welded Oil and Watertight	A	75,-	0,-	75,-
Set of 5 self-adhesive stickers with symbols for: glass, paper, plastic, metal, residual waste	A	28,-	on request	on request
<b>BSK 30, hot-dip galvanized</b>	A	309,-	164,-	473,-
Lid, galvanized	A	66,-	12,-	78,-
Castor Set, polyamide, Load capacity 1350 kg / castor set	A	185,-	15,-	200,-
Skip Body Welded Oil and Watertight	A	75,-	0,-	75,-
Set of 5 self-adhesive stickers with symbols for: glass, paper, plastic, metal, residual waste	A	28,-	on request	on request
<b>BSK 55, painted</b>	A	320,-	164,-	484,-
Lid, galvanized	A	94,-	15,-	109,-
Castor Set, polyamide, Load capacity 1350 kg / castor set	A	185,-	15,-	200,-
Skip Body Welded Oil and Watertight	A	75,-	0,-	75,-
Set of 5 self-adhesive stickers with symbols for: glass, paper, plastic, metal, residual waste	A	28,-	on request	on request
<b>BSK 55, hot-dip galvanized</b>	A	391,-	164,-	555,-
Lid, galvanized	A	94,-	15,-	109,-
Castor Set, polyamide, Load capacity 1350 kg / castor set	A	185,-	15,-	200,-
Skip Body Welded Oil and Watertight	A	75,-	0,-	75,-
Set of 5 self-adhesive stickers with symbols for: glass, paper, plastic, metal, residual waste	A	28,-	on request	on request
<b>BSK 70, painted</b>	A	340,-	164,-	504,-
Lid, galvanized	A	117,-	15,-	132,-
Castor Set, polyamide, Load capacity 1350 kg / castor set	A	185,-	15,-	200,-
Skip Body Welded Oil and Watertight	A	75,-	0,-	75,-
Set of 5 self-adhesive stickers with symbols for: glass, paper, plastic, metal, residual waste	A	28,-	on request	on request
<b>BSK 70, hot-dip galvanized</b>	A	441,-	164,-	605,-
Lid, galvanized	A	117,-	15,-	132,-
Castor Set, polyamide, Load capacity 1350 kg / castor set	A	185,-	15,-	200,-
Skip Body Welded Oil and Watertight	A	75,-	0,-	75,-
Set of 5 self-adhesive stickers with symbols for: glass, paper, plastic, metal, residual waste	A	28,-	on request	on request
<b>BSK 90, painted</b>	A	366,-	164,-	530,-
Lid, galvanized	A	160,-	18,-	178,-
Castor Set, polyamide, Load capacity 1350 kg / castor set	A	185,-	15,-	200,-
Skip Body Welded Oil and Watertight	A	75,-	0,-	75,-
Set of 5 self-adhesive stickers with symbols for: glass, paper, plastic, metal, residual waste	A	28,-	on request	on request
<b>BSK 90, hot-dip galvanized</b>	A	470,-	277,-	747,-
Lid, galvanized	A	160,-	18,-	178,-

Prices in EUR, valid EXW DE-46354 Südlohn, DE-38820 Halberstadt, unpacked  
Freight charges valid CPT Romania, islands and oversea territories excluded

# Price List 0424 en-RO

## Forklift Truck Attachments



Stacking Tipper Type BSK	Category	Price	Freight charges	Price including freight charges
Castor Set, polyamide, Load capacity 1350 kg / castor set	A	185,-	15,-	200,-
Skip Body Welded Oil and Watertight	A	75,-	0,-	75,-
Set of 5 self-adhesive stickers with symbols for: glass, paper, plastic, metal, residual waste	A	28,-	on request	on request
<b>BSK 150, painted</b>	A	841,-	277,-	1118,-
Lid, galvanized	A	215,-	21,-	236,-
Castor Set, polyamide, Load capacity 1350 kg / castor set	A	185,-	15,-	200,-
Skip Body Welded Oil and Watertight	A	116,-	0,-	116,-
Set of 5 self-adhesive stickers with symbols for: glass, paper, plastic, metal, residual waste	A	28,-	on request	on request
<b>BSK 150, hot-dip galvanized</b>	A	984,-	277,-	1261,-
Lid, galvanized	A	215,-	21,-	236,-
Castor Set, polyamide, Load capacity 1350 kg / castor set	A	185,-	15,-	200,-
Skip Body Welded Oil and Watertight	A	116,-	0,-	116,-
Set of 5 self-adhesive stickers with symbols for: glass, paper, plastic, metal, residual waste	A	28,-	on request	on request
<b>BSK 200, painted</b>	A	902,-	277,-	1179,-
Lid, galvanized	A	274,-	26,-	300,-
Castor Set, polyamide, Load capacity 1350 kg / castor set	A	185,-	15,-	200,-
Skip Body Welded Oil and Watertight	A	116,-	0,-	116,-
Set of 5 self-adhesive stickers with symbols for: glass, paper, plastic, metal, residual waste	A	28,-	on request	on request
<b>BSK 200, hot-dip galvanized</b>	A	1129,-	277,-	1406,-
Lid, galvanized	A	274,-	26,-	300,-
Castor Set, polyamide, Load capacity 1350 kg / castor set	A	185,-	15,-	200,-
Skip Body Welded Oil and Watertight	A	116,-	0,-	116,-
Set of 5 self-adhesive stickers with symbols for: glass, paper, plastic, metal, residual waste	A	28,-	on request	on request
Lattice Tilting Container Type BSK-G	Category	Price	Freight charges	Price including freight charges
<b>BSK-G 90, painted</b>	A	332,-	164,-	496,-
Lid, galvanized	A	160,-	18,-	178,-
Castor Set, polyamide, Load capacity 1350 kg / castor set	A	185,-	15,-	200,-
<b>BSK-G 90, hot-dip galvanized</b>	A	404,-	164,-	568,-
Lid, galvanized	A	160,-	18,-	178,-
Castor Set, polyamide, Load capacity 1350 kg / castor set	A	185,-	15,-	200,-
Swarf Stacking Tipper Type BSL	Category	Price	Freight charges	Price including freight charges
<b>BSL 30, painted</b>	A	570,-	164,-	734,-
Lid, galvanized	A	66,-	12,-	78,-
Castor Set, polyamide, Load capacity 1350 kg / castor set	A	185,-	15,-	200,-
<b>BSL 30, hot-dip galvanized</b>	A	656,-	164,-	820,-
Lid, galvanized	A	66,-	12,-	78,-
Castor Set, polyamide, Load capacity 1350 kg / castor set	A	185,-	15,-	200,-
<b>BSL 55, painted</b>	A	701,-	277,-	978,-
Lid, galvanized	A	94,-	15,-	109,-
Castor Set, polyamide, Load capacity 1350 kg / castor set	A	185,-	15,-	200,-
<b>BSL 55, hot-dip galvanized</b>	A	823,-	277,-	1100,-
Lid, galvanized	A	94,-	15,-	109,-
Castor Set, polyamide, Load capacity 1350 kg / castor set	A	185,-	15,-	200,-

Prices in EUR, valid EXW DE-46354 Südlohn, DE-38820 Halberstadt, unpacked  
Freight charges valid CPT Romania, islands and oversea territories excluded

# Price List 0424 en-R0

## Forklift Truck Attachments



<b>Swarf Stacking Tipper Type BSL</b>	<b>Category</b>	<b>Price</b>	<b>Freight charges</b>	<b>Price including freight charges</b>
<b>BSL 70, painted</b>	A	737,-	277,-	1014,-
Lid, galvanized	A	117,-	15,-	132,-
Castor Set, polyamide, Load capacity 1350 kg / castor set	A	185,-	15,-	200,-
<b>BSL 70, hot-dip galvanized</b>	A	881,-	277,-	1158,-
Lid, galvanized	A	117,-	15,-	132,-
Castor Set, polyamide, Load capacity 1350 kg / castor set	A	185,-	15,-	200,-
<b>BSL 90, painted</b>	A	801,-	277,-	1078,-
Lid, galvanized	A	160,-	18,-	178,-
Castor Set, polyamide, Load capacity 1350 kg / castor set	A	185,-	15,-	200,-
<b>BSL 90, hot-dip galvanized</b>	A	970,-	277,-	1247,-
Lid, galvanized	A	160,-	18,-	178,-
Castor Set, polyamide, Load capacity 1350 kg / castor set	A	185,-	15,-	200,-
<b>BSL 150, painted</b>	A	1185,-	277,-	1462,-
Lid, galvanized	A	215,-	21,-	236,-
Castor Set, polyamide, Load capacity 1350 kg / castor set	A	185,-	15,-	200,-
<b>BSL 150, hot-dip galvanized</b>	A	1439,-	406,-	1845,-
Lid, galvanized	A	215,-	21,-	236,-
Castor Set, polyamide, Load capacity 1350 kg / castor set	A	185,-	15,-	200,-
<b>BSL 200, painted</b>	A	1282,-	406,-	1688,-
Lid, galvanized	A	274,-	26,-	300,-
Castor Set, polyamide, Load capacity 1350 kg / castor set	A	185,-	15,-	200,-
<b>BSL 200, hot-dip galvanized</b>	A	1731,-	406,-	2137,-
Lid, galvanized	A	274,-	26,-	300,-
Castor Set, polyamide, Load capacity 1350 kg / castor set	A	185,-	15,-	200,-

<b>Shovel Type BSM</b>	<b>Category</b>	<b>Price</b>	<b>Freight charges</b>	<b>Price including freight charges</b>
<b>BSM 50, painted</b>	A	1435,-	277,-	1712,-
<b>BSM 75, painted</b>	A	1709,-	406,-	2115,-
<b>BSM 100, painted</b>	A	2143,-	491,-	2634,-
<b>BSM 150, painted</b>	A	2422,-	491,-	2913,-
<b>BSM 200, painted</b>	A	2691,-	718,-	3409,-
<b>BSM 250, painted</b>	A	3316,-	768,-	4084,-

<b>Swarf Stacking Tipper Type BSS</b>	<b>Category</b>	<b>Price</b>	<b>Freight charges</b>	<b>Price including freight charges</b>
<b>BSS 30, painted</b>	A	407,-	164,-	571,-
Lid, galvanized	A	66,-	12,-	78,-
Castor Set, polyamide, Load capacity 1350 kg / castor set	A	185,-	15,-	200,-
<b>BSS 30, hot-dip galvanized</b>	A	473,-	164,-	637,-
Lid, galvanized	A	66,-	12,-	78,-
Castor Set, polyamide, Load capacity 1350 kg / castor set	A	185,-	15,-	200,-
<b>BSS 55, painted</b>	A	505,-	164,-	669,-
Lid, galvanized	A	94,-	15,-	109,-
Castor Set, polyamide, Load capacity 1350 kg / castor set	A	185,-	15,-	200,-
<b>BSS 55, hot-dip galvanized</b>	A	626,-	164,-	790,-
Lid, galvanized	A	94,-	15,-	109,-

Prices in EUR, valid EXW DE-46354 Südlohn, DE-38820 Halberstadt, unpacked  
 Freight charges valid CPT Romania, islands and oversea territories excluded

# Price List 0424 en-RO

## Forklift Truck Attachments



<b>Swarf Stacking Tipper Type BSS</b>	<b>Category</b>	<b>Price</b>	<b>Freight charges</b>	<b>Price including freight charges</b>
Castor Set, polyamide, Load capacity 1350 kg / castor set	A	185,-	15,-	200,-
<b>BSS 70, painted</b>	A	542,-	164,-	706,-
Lid, galvanized	A	117,-	15,-	132,-
Castor Set, polyamide, Load capacity 1350 kg / castor set	A	185,-	15,-	200,-
<b>BSS 70, hot-dip galvanized</b>	A	684,-	277,-	961,-
Lid, galvanized	A	117,-	15,-	132,-
Castor Set, polyamide, Load capacity 1350 kg / castor set	A	185,-	15,-	200,-
<b>BSS 90, painted</b>	A	576,-	277,-	853,-
Lid, galvanized	A	160,-	18,-	178,-
Castor Set, polyamide, Load capacity 1350 kg / castor set	A	185,-	15,-	200,-
<b>BSS 90, hot-dip galvanized</b>	A	739,-	277,-	1016,-
Lid, galvanized	A	160,-	18,-	178,-
Castor Set, polyamide, Load capacity 1350 kg / castor set	A	185,-	15,-	200,-
<b>BSS 150, painted</b>	A	876,-	277,-	1153,-
Lid, galvanized	A	215,-	21,-	236,-
Castor Set, polyamide, Load capacity 1350 kg / castor set	A	185,-	15,-	200,-
<b>BSS 150, hot-dip galvanized</b>	A	1126,-	277,-	1403,-
Lid, galvanized	A	215,-	21,-	236,-
Castor Set, polyamide, Load capacity 1350 kg / castor set	A	185,-	15,-	200,-
<b>BSS 200, painted</b>	A	989,-	277,-	1266,-
Lid, galvanized	A	274,-	26,-	300,-
Castor Set, polyamide, Load capacity 1350 kg / castor set	A	185,-	15,-	200,-
<b>BSS 200, hot-dip galvanized</b>	A	1324,-	406,-	1730,-
Lid, galvanized	A	274,-	26,-	300,-
Castor Set, polyamide, Load capacity 1350 kg / castor set	A	185,-	15,-	200,-
<b>Traverse For Stacking Tipper Type BST</b>	<b>Category</b>	<b>Price</b>	<b>Freight charges</b>	<b>Price including freight charges</b>
<b>BST 30, painted</b>	A	320,-	164,-	484,-
Traverse Stand Type TS, hot-dip galvanized	A	75,-	8,-	83,-
<b>BST 55, painted</b>	A	342,-	164,-	506,-
Traverse Stand Type TS, hot-dip galvanized	A	75,-	9,-	84,-
<b>BST 70, painted</b>	A	342,-	164,-	506,-
Traverse Stand Type TS, hot-dip galvanized	A	75,-	9,-	84,-
<b>BST 90, painted</b>	A	355,-	164,-	519,-
Traverse Stand Type TS, hot-dip galvanized	A	75,-	9,-	84,-
<b>BST 150, painted</b>	A	532,-	277,-	809,-
Traverse Stand Type TS, hot-dip galvanized	A	75,-	9,-	84,-
<b>BST 200, painted</b>	A	591,-	277,-	868,-
Traverse Stand Type TS, hot-dip galvanized	A	75,-	9,-	84,-
<b>Traverse For Stacking Tipper Type BST-H</b>	<b>Category</b>	<b>Price</b>	<b>Freight charges</b>	<b>Price including freight charges</b>
<b>BST-H 30, painted</b>	A	2055,-	277,-	2332,-
Traverse Stand Type TS, hot-dip galvanized	A	75,-	8,-	83,-
<b>BST-H 55, painted</b>	A	2180,-	277,-	2457,-
Traverse Stand Type TS, hot-dip galvanized	A	75,-	8,-	83,-

Prices in EUR, valid EXW DE-46354 Südlohn, DE-38820 Halberstadt, unpacked  
 Freight charges valid CPT Romania, islands and oversea territories excluded

# Price List 0424 en-RO

## Forklift Truck Attachments



Traverse For Stacking Tipper Type BST-H	Category	Price	Freight charges	Price including freight charges
BST-H 70, painted	A	2180,-	277,-	2457,-
Traverse Stand Type TS, hot-dip galvanized	A	75,-	8,-	83,-
BST-H 90, painted	A	2293,-	277,-	2570,-
Traverse Stand Type TS, hot-dip galvanized	A	75,-	8,-	83,-
BST-H 150, painted	A	2608,-	406,-	3014,-
Traverse Stand Type TS, hot-dip galvanized	A	75,-	9,-	84,-
BST-H 200, painted	A	2871,-	406,-	3277,-
Traverse Stand Type TS, hot-dip galvanized	A	75,-	9,-	84,-

Traverse For Stacking Tipper Type BST-U	Category	Price	Freight charges	Price including freight charges
BST-U 30, painted	A	923,-	277,-	1200,-
BST-U 55, painted	A	985,-	277,-	1262,-
BST-U 70, painted	A	985,-	277,-	1262,-
BST-U 90, painted	A	1011,-	277,-	1288,-

Filling Hopper Type BTM	Category	Price	Freight charges	Price including freight charges
BTM, painted	A	2377,-	491,-	2868,-

Filling Hopper Type BTS	Category	Price	Freight charges	Price including freight charges
BTS, painted	A	2035,-	491,-	2526,-

Bin Type C	Category	Price	Freight charges	Price including freight charges
C 30, painted	A	407,-	164,-	571,-
C 30, hot-dip galvanized	A	447,-	164,-	611,-
C 80, painted	A	586,-	164,-	750,-
C 80, hot-dip galvanized	A	630,-	164,-	794,-

Swarf Bin Type CS	Category	Price	Freight charges	Price including freight charges
CS 30, painted	A	469,-	164,-	633,-
CS 30, hot-dip galvanized	A	514,-	164,-	678,-
CS 80, painted	A	692,-	164,-	856,-
CS 80, hot-dip galvanized	A	740,-	277,-	1017,-

Shovel Type DGS	Category	Price	Freight charges	Price including freight charges
DGS 500, painted	A	2565,-	406,-	2971,-
DGS 700, painted	A	2594,-	406,-	3000,-
DGS 950, painted	A	2630,-	491,-	3121,-
DGS 1200, painted	A	2825,-	491,-	3316,-

Tilting Container Type DUO	Category	Price	Freight charges	Price including freight charges
DUO, painted	A	1803,-	406,-	2209,-
Lid, galvanized	A	228,-	27,-	255,-
Castor Set, polyamide, Load capacity 1350 kg / castor set	A	185,-	15,-	200,-
Set of 5 self-adhesive stickers with symbols for: glass, paper, plastic, metal, residual waste	A	28,-	on request	on request

Prices in EUR, valid EXW DE-46354 Südlohn, DE-38820 Halberstadt, unpacked  
 Freight charges valid CPT Romania, islands and oversea territories excluded

# Price List 0424 en-RO

## Forklift Truck Attachments



Tilting Container Type EXPO®	Category	Price	Freight charges	Price including freight charges
<b>EXPO 150, painted</b>	A	587,-	164,-	751,-
Lid, galvanized	A	168,-	18,-	186,-
Castor Set, polyamide, Load capacity 1050 kg / castor set	A	150,-	15,-	165,-
Skip Body Welded Oil and Watertight	A	75,-	0,-	75,-
<b>EXPO 150, hot-dip galvanized</b>	A	692,-	164,-	856,-
Lid, galvanized	A	168,-	18,-	186,-
Castor Set, polyamide, Load capacity 1050 kg / castor set	A	150,-	15,-	165,-
Skip Body Welded Oil and Watertight	A	75,-	0,-	75,-
<b>EXPO 225, painted</b>	A	639,-	164,-	803,-
Lid, galvanized	A	168,-	18,-	186,-
Castor Set, polyamide, Load capacity 1050 kg / castor set	A	150,-	15,-	165,-
Skip Body Welded Oil and Watertight	A	75,-	0,-	75,-
<b>EXPO 225, hot-dip galvanized</b>	A	758,-	164,-	922,-
Lid, galvanized	A	168,-	18,-	186,-
Castor Set, polyamide, Load capacity 1050 kg / castor set	A	150,-	15,-	165,-
Skip Body Welded Oil and Watertight	A	75,-	0,-	75,-
<b>EXPO 275, painted</b>	A	667,-	164,-	831,-
Lid, galvanized	A	168,-	18,-	186,-
Castor Set, polyamide, Load capacity 1050 kg / castor set	A	150,-	15,-	165,-
Skip Body Welded Oil and Watertight	A	75,-	0,-	75,-
<b>EXPO 275, hot-dip galvanized</b>	A	798,-	164,-	962,-
Lid, galvanized	A	168,-	18,-	186,-
Castor Set, polyamide, Load capacity 1050 kg / castor set	A	150,-	15,-	165,-
Skip Body Welded Oil and Watertight	A	75,-	0,-	75,-
<b>EXPO 300, painted</b>	A	601,-	277,-	878,-
Lid, galvanized	A	168,-	18,-	186,-
Castor Set, polyamide, Load capacity 1350 kg / castor set	A	185,-	15,-	200,-
Skip Body Welded Oil and Watertight	A	75,-	0,-	75,-
<b>EXPO 300, hot-dip galvanized</b>	A	771,-	277,-	1048,-
Lid, galvanized	A	168,-	18,-	186,-
Castor Set, polyamide, Load capacity 1350 kg / castor set	A	185,-	15,-	200,-
Skip Body Welded Oil and Watertight	A	75,-	0,-	75,-
<b>EXPO 600, painted</b>	A	708,-	277,-	985,-
Lid, galvanized	A	189,-	22,-	211,-
Castor Set, polyamide, Load capacity 1350 kg / castor set	A	185,-	15,-	200,-
Skip Body Welded Oil and Watertight	A	75,-	0,-	75,-
<b>EXPO 600, hot-dip galvanized</b>	A	849,-	277,-	1126,-
Lid, galvanized	A	189,-	22,-	211,-
Castor Set, polyamide, Load capacity 1350 kg / castor set	A	185,-	15,-	200,-
Skip Body Welded Oil and Watertight	A	75,-	0,-	75,-
<b>EXPO 900, painted</b>	A	790,-	277,-	1067,-
Lid, galvanized	A	215,-	27,-	242,-
Castor Set, polyamide, Load capacity 1350 kg / castor set	A	185,-	15,-	200,-
Skip Body Welded Oil and Watertight	A	75,-	0,-	75,-
<b>EXPO 900, hot-dip galvanized</b>	A	931,-	277,-	1208,-
Lid, galvanized	A	215,-	27,-	242,-

Prices in EUR, valid EXW DE-46354 Südlohn, DE-38820 Halberstadt, unpacked  
Freight charges valid CPT Romania, islands and oversea territories excluded

# Price List 0424 en-RO

## Forklift Truck Attachments



Tilting Container Type EXPO®	Category	Price	Freight charges	Price including freight charges
Castor Set, polyamide, Load capacity 1350 kg / castor set	A	185,-	15,-	200,-
Skip Body Welded Oil and Watertight	A	75,-	0,-	75,-
<b>EXPO 1200, painted</b>	A	855,-	406,-	1261,-
Lid, galvanized	A	215,-	26,-	241,-
Castor Set, polyamide, Load capacity 1350 kg / castor set	A	185,-	15,-	200,-
Skip Body Welded Oil and Watertight	A	116,-	0,-	116,-
<b>EXPO 1200, hot-dip galvanized</b>	A	1006,-	406,-	1412,-
Lid, galvanized	A	215,-	26,-	241,-
Castor Set, polyamide, Load capacity 1350 kg / castor set	A	185,-	15,-	200,-
Skip Body Welded Oil and Watertight	A	116,-	0,-	116,-
<b>EXPO 1700, painted</b>	A	1161,-	406,-	1567,-
Lid, galvanized	A	266,-	33,-	299,-
Castor Set, polyamide, Load capacity 1350 kg / castor set	A	185,-	15,-	200,-
Skip Body Welded Oil and Watertight	A	116,-	0,-	116,-
<b>EXPO 1700, hot-dip galvanized</b>	A	1386,-	406,-	1792,-
Lid, galvanized	A	266,-	33,-	299,-
Castor Set, polyamide, Load capacity 1350 kg / castor set	A	185,-	15,-	200,-
Skip Body Welded Oil and Watertight	A	116,-	0,-	116,-
<b>EXPO 2100, painted</b>	A	1280,-	406,-	1686,-
Lid, galvanized	A	347,-	36,-	383,-
Castor Set, polyamide, Load capacity 1350 kg / castor set	A	185,-	15,-	200,-
Skip Body Welded Oil and Watertight	A	116,-	0,-	116,-
<b>EXPO 2100, hot-dip galvanized</b>	A	1551,-	406,-	1957,-
Lid, galvanized	A	347,-	36,-	383,-
Castor Set, polyamide, Load capacity 1350 kg / castor set	A	185,-	15,-	200,-
Skip Body Welded Oil and Watertight	A	116,-	0,-	116,-
Swarf Tilting Container Type EXPO®-E	Category	Price	Freight charges	Price including freight charges
<b>EXPO-E 150, painted</b>	A	704,-	164,-	868,-
Lid, galvanized	A	168,-	18,-	186,-
Castor Set, polyamide, Load capacity 1050 kg / castor set	A	150,-	15,-	165,-
<b>EXPO-E 150, hot-dip galvanized</b>	A	808,-	164,-	972,-
Lid, galvanized	A	168,-	18,-	186,-
Castor Set, polyamide, Load capacity 1050 kg / castor set	A	150,-	15,-	165,-
<b>EXPO-E 225, painted</b>	A	755,-	164,-	919,-
Lid, galvanized	A	168,-	18,-	186,-
Castor Set, polyamide, Load capacity 1050 kg / castor set	A	150,-	15,-	165,-
<b>EXPO-E 225, hot-dip galvanized</b>	A	876,-	164,-	1040,-
Lid, galvanized	A	168,-	18,-	186,-
Castor Set, polyamide, Load capacity 1050 kg / castor set	A	150,-	15,-	165,-
<b>EXPO-E 275, painted</b>	A	784,-	164,-	948,-
Lid, galvanized	A	168,-	18,-	186,-
Castor Set, polyamide, Load capacity 1050 kg / castor set	A	150,-	15,-	165,-
<b>EXPO-E 275, hot-dip galvanized</b>	A	912,-	164,-	1076,-
Lid, galvanized	A	168,-	18,-	186,-
Castor Set, polyamide, Load capacity 1050 kg / castor set	A	150,-	15,-	165,-

Prices in EUR, valid EXW DE-46354 Südlohn, DE-38820 Halberstadt, unpacked  
Freight charges valid CPT Romania, islands and oversea territories excluded



# Price List 0424 en-RO

## Forklift Truck Attachments



<b>Swarf Tilting Container Type EXPO®-E</b>	<b>Category</b>	<b>Price</b>	<b>Freight charges</b>	<b>Price including freight charges</b>
<b>EXPO-E 300, painted</b>	A	718,-	277,-	995,-
Lid, galvanized	A	168,-	18,-	186,-
Castor Set, polyamide, Load capacity 1350 kg / castor set	A	185,-	15,-	200,-
<b>EXPO-E 300, hot-dip galvanized</b>	A	887,-	277,-	1164,-
Lid, galvanized	A	168,-	18,-	186,-
Castor Set, polyamide, Load capacity 1350 kg / castor set	A	185,-	15,-	200,-
<b>EXPO-E 600, painted</b>	A	824,-	277,-	1101,-
Lid, galvanized	A	189,-	22,-	211,-
Castor Set, polyamide, Load capacity 1350 kg / castor set	A	185,-	15,-	200,-
<b>EXPO-E 600, hot-dip galvanized</b>	A	965,-	277,-	1242,-
Lid, galvanized	A	189,-	22,-	211,-
Castor Set, polyamide, Load capacity 1350 kg / castor set	A	185,-	15,-	200,-
<b>EXPO-E 900, painted</b>	A	906,-	277,-	1183,-
Lid, galvanized	A	215,-	27,-	242,-
Castor Set, polyamide, Load capacity 1350 kg / castor set	A	185,-	15,-	200,-
<b>EXPO-E 900, hot-dip galvanized</b>	A	1048,-	277,-	1325,-
Lid, galvanized	A	215,-	27,-	242,-
Castor Set, polyamide, Load capacity 1350 kg / castor set	A	185,-	15,-	200,-
<b>EXPO-E 1200, painted</b>	A	1012,-	406,-	1418,-
Lid, galvanized	A	215,-	26,-	241,-
Castor Set, polyamide, Load capacity 1350 kg / castor set	A	185,-	15,-	200,-
<b>EXPO-E 1200, hot-dip galvanized</b>	A	1163,-	406,-	1569,-
Lid, galvanized	A	215,-	26,-	241,-
Castor Set, polyamide, Load capacity 1350 kg / castor set	A	185,-	15,-	200,-
<b>EXPO-E 1700, painted</b>	A	1318,-	406,-	1724,-
Lid, galvanized	A	266,-	33,-	299,-
Castor Set, polyamide, Load capacity 1350 kg / castor set	A	185,-	15,-	200,-
<b>EXPO-E 1700, hot-dip galvanized</b>	A	1543,-	406,-	1949,-
Lid, galvanized	A	266,-	33,-	299,-
Castor Set, polyamide, Load capacity 1350 kg / castor set	A	185,-	15,-	200,-
<b>EXPO-E 2100, painted</b>	A	1437,-	406,-	1843,-
Lid, galvanized	A	347,-	36,-	383,-
Castor Set, polyamide, Load capacity 1350 kg / castor set	A	185,-	15,-	200,-
<b>EXPO-E 2100, hot-dip galvanized</b>	A	1708,-	406,-	2114,-
Lid, galvanized	A	347,-	36,-	383,-
Castor Set, polyamide, Load capacity 1350 kg / castor set	A	185,-	15,-	200,-

<b>Container With Drop Away Base Type FB</b>	<b>Category</b>	<b>Price</b>	<b>Freight charges</b>	<b>Price including freight charges</b>
<b>FB 500, painted</b>	A	781,-	277,-	1058,-
Lid, galvanized	A	189,-	15,-	204,-
Castor Set, polyamide, Load capacity 1350 kg / castor set	A	185,-	15,-	200,-
Guiding Plates, galvanized	A	112,-	12,-	124,-
<b>FB 500, hot-dip galvanized</b>	A	960,-	277,-	1237,-
Lid, galvanized	A	189,-	15,-	204,-
Castor Set, polyamide, Load capacity 1350 kg / castor set	A	185,-	15,-	200,-
Guiding Plates, galvanized	A	112,-	12,-	124,-

Prices in EUR, valid EXW DE-46354 Südlohn, DE-38820 Halberstadt, unpacked  
Freight charges valid CPT Romania, islands and oversea territories excluded

# Price List 0424 en-RO

## Forklift Truck Attachments



Container With Drop Away Base Type FB	Category	Price	Freight charges	Price including freight charges
<b>FB 750, painted</b>	A	850,-	277,-	1127,-
Lid, galvanized	A	189,-	15,-	204,-
Castor Set, polyamide, Load capacity 1350 kg / castor set	A	185,-	15,-	200,-
Guiding Plates, galvanized	A	112,-	12,-	124,-
<b>FB 750, hot-dip galvanized</b>	A	1038,-	277,-	1315,-
Lid, galvanized	A	189,-	15,-	204,-
Castor Set, polyamide, Load capacity 1350 kg / castor set	A	185,-	15,-	200,-
Guiding Plates, galvanized	A	112,-	12,-	124,-
<b>FB 1000, painted</b>	A	910,-	277,-	1187,-
Lid, galvanized	A	229,-	18,-	247,-
Castor Set, polyamide, Load capacity 1350 kg / castor set	A	185,-	15,-	200,-
Guiding Plates, galvanized	A	112,-	12,-	124,-
<b>FB 1000, hot-dip galvanized</b>	A	1117,-	277,-	1394,-
Lid, galvanized	A	229,-	18,-	247,-
Castor Set, polyamide, Load capacity 1350 kg / castor set	A	185,-	15,-	200,-
Guiding Plates, galvanized	A	112,-	12,-	124,-
<b>FB 1500, painted</b>	A	1067,-	406,-	1473,-
Lid, galvanized	A	339,-	21,-	360,-
Castor Set, polyamide, Load capacity 1350 kg / castor set	A	185,-	15,-	200,-
Guiding Plates, galvanized	A	112,-	12,-	124,-
<b>FB 1500, hot-dip galvanized</b>	A	1344,-	406,-	1750,-
Lid, galvanized	A	339,-	21,-	360,-
Castor Set, polyamide, Load capacity 1350 kg / castor set	A	185,-	15,-	200,-
Guiding Plates, galvanized	A	112,-	12,-	124,-
<b>FB 2000, painted</b>	A	1151,-	406,-	1557,-
Lid, galvanized	A	339,-	21,-	360,-
Castor Set, polyamide, Load capacity 1350 kg / castor set	A	185,-	15,-	200,-
Guiding Plates, galvanized	A	112,-	12,-	124,-
<b>FB 2000, hot-dip galvanized</b>	A	1460,-	406,-	1866,-
Lid, galvanized	A	339,-	21,-	360,-
Castor Set, polyamide, Load capacity 1350 kg / castor set	A	185,-	15,-	200,-
Guiding Plates, galvanized	A	112,-	12,-	124,-
<b>Drum Tipper Type FD/L-HK</b>	<b>Category</b>	<b>Price</b>	<b>Freight charges</b>	<b>Price including freight charges</b>
<b>FD/L-HK, painted</b>	B	2245,-	277,-	2522,-
<b>FD/L-HK, hot-dip galvanized</b>	B	2671,-	277,-	2948,-
<b>Drum Tipper Type FD/L-K</b>	<b>Category</b>	<b>Price</b>	<b>Freight charges</b>	<b>Price including freight charges</b>
<b>FD/L-K, painted</b>	B	2429,-	277,-	2706,-
<b>FD/L-K, hot-dip galvanized</b>	B	2864,-	277,-	3141,-
<b>Drum Tipper Type FD-H</b>	<b>Category</b>	<b>Price</b>	<b>Freight charges</b>	<b>Price including freight charges</b>
<b>FD-H, painted</b>	B	2505,-	164,-	2669,-
<b>FD-H, hot-dip galvanized</b>	B	2732,-	164,-	2896,-

Prices in EUR, valid EXW DE-46354 Südlohn, DE-38820 Halberstadt, unpacked  
Freight charges valid CPT Romania, islands and oversea territories excluded

# Price List 0424 en-R0

## Forklift Truck Attachments



Drum Tipper Type FD-HK	Category	Price	Freight charges	Price including freight charges
FD-HK, painted	B	1929,-	164,-	2093,-
FD-HK, hot-dip galvanized	B	2161,-	164,-	2325,-
Drum Tipper Type FD-K	Category	Price	Freight charges	Price including freight charges
FD-K, painted	B	2114,-	164,-	2278,-
FD-K, hot-dip galvanized	B	2354,-	164,-	2518,-
Drum Tipper Type FD-SK	Category	Price	Freight charges	Price including freight charges
FD-SK, painted	B	1929,-	164,-	2093,-
FD-SK, hot-dip galvanized	B	2161,-	164,-	2325,-
Drum Jack Type FH	Category	Price	Freight charges	Price including freight charges
FH-I 120, painted	B	1589,-	164,-	1753,-
FH-I 120, hot-dip galvanized	B	1761,-	164,-	1925,-
FH-I 220, painted	B	1589,-	164,-	1753,-
FH-I 220, hot-dip galvanized	B	1789,-	164,-	1953,-
FH-II 120, painted	B	2320,-	164,-	2484,-
FH-II 120, hot-dip galvanized	B	2582,-	164,-	2746,-
FH-II 220, painted	B	2320,-	164,-	2484,-
FH-II 220, hot-dip galvanized	B	2636,-	164,-	2800,-
Drum Gripper Type FK	Category	Price	Freight charges	Price including freight charges
FK-I, painted	B	1208,-	164,-	1372,-
FK-I, hot-dip galvanized	B	1472,-	164,-	1636,-
FK-II, painted	B	1437,-	277,-	1714,-
FK-II, hot-dip galvanized	B	1818,-	277,-	2095,-
Drum Clamp Type FKL	Category	Price	Freight charges	Price including freight charges
FKL, painted	B	463,-	118,-	581,-
Drum Tipper Type FLEX-HK	Category	Price	Freight charges	Price including freight charges
FLEX-HK, painted	B	2090,-	164,-	2254,-
Shelf Drum Pallet RP, galvanized	B	140,-	118,-	258,-
FLEX-HK, hot-dip galvanized	B	2258,-	164,-	2422,-
Shelf Drum Pallet RP, galvanized	B	140,-	118,-	258,-
Drum Tipper Type FLEX-K	Category	Price	Freight charges	Price including freight charges
FLEX-K, painted	B	2283,-	164,-	2447,-
Shelf Drum Pallet RP, galvanized	B	140,-	118,-	258,-
FLEX-K, hot-dip galvanized	B	2447,-	164,-	2611,-
Shelf Drum Pallet RP, galvanized	B	140,-	118,-	258,-
Drum Traverse Type FT/M	Category	Price	Freight charges	Price including freight charges
FT/M, galvanized	B	305,-	118,-	423,-

Prices in EUR, valid EXW DE-46354 Südlohn, DE-38820 Halberstadt, unpacked  
Freight charges valid CPT Romania, islands and oversea territories excluded

# Price List 0424 en-RO

## Forklift Truck Attachments



Drum Traverse Type FT/MK	Category	Price	Freight charges	Price including freight charges
FT/MK, galvanized	B	349,-	118,-	467,-
Drum Turner Type FW	Category	Price	Freight charges	Price including freight charges
FW-I, painted	B	1342,-	277,-	1619,-
FW-I, hot-dip galvanized	B	1742,-	277,-	2019,-
FW-II, painted	B	1879,-	277,-	2156,-
FW-II, hot-dip galvanized	B	2447,-	277,-	2724,-
Drum Turning Claw Type FWZ	Category	Price	Freight charges	Price including freight charges
FWZ-60, painted	B	1309,-	164,-	1473,-
FWZ-60, hot-dip galvanized	B	1289,-	164,-	1453,-
FWZ-200, painted	B	1349,-	164,-	1513,-
FWZ-200, hot-dip galvanized	B	1329,-	164,-	1493,-
Fork Extensions Type GG	Category	Price	Freight charges	Price including freight charges
GG 80/40 (1600 mm long), painted	A	522,-	164,-	686,-
GG 80/40 (1800 mm long), painted	A	550,-	164,-	714,-
GG 80/40 (2000 mm long), painted	A	580,-	164,-	744,-
GG 100/40 (1600 mm long), painted	A	522,-	164,-	686,-
GG 100/40 (1800 mm long), painted	A	550,-	164,-	714,-
GG 100/40 (2000 mm long), painted	A	580,-	164,-	744,-
GG 100/45 (1600 mm long), painted	A	522,-	164,-	686,-
GG 100/45 (1800 mm long), painted	A	550,-	164,-	714,-
GG 100/45 (2000 mm long), painted	A	580,-	164,-	744,-
GG 100/50 (1600 mm long), painted	A	522,-	164,-	686,-
GG 100/50 (1800 mm long), painted	A	550,-	164,-	714,-
GG 100/50 (2000 mm long), painted	A	580,-	277,-	857,-
GG 120/40 (1600 mm long), painted	A	550,-	164,-	714,-
GG 120/40 (1800 mm long), painted	A	580,-	277,-	857,-
GG 120/40 (2000 mm long), painted	A	623,-	277,-	900,-
GG 120/50 (1600 mm long), painted	A	550,-	164,-	714,-
GG 120/50 (1800 mm long), painted	A	580,-	277,-	857,-
GG 120/50 (2000 mm long), painted	A	623,-	277,-	900,-
GG 125/45 (1600 mm long), painted	A	550,-	164,-	714,-
GG 125/45 (1800 mm long), painted	A	580,-	277,-	857,-
GG 125/45 (2000 mm long), painted	A	623,-	277,-	900,-
GG 125/50 (1600 mm long), painted	A	550,-	164,-	714,-
GG 125/50 (1800 mm long), painted	A	580,-	277,-	857,-
GG 125/50 (2000 mm long), painted	A	623,-	277,-	900,-
GG 150/50 (1600 mm long), painted	A	612,-	277,-	889,-
GG 150/50 (1800 mm long), painted	A	657,-	277,-	934,-
GG 150/50 (2000 mm long), painted	A	688,-	277,-	965,-
GG 150/70 (1600 mm long), painted	A	612,-	277,-	889,-
GG 150/70 (1800 mm long), painted	A	657,-	277,-	934,-
GG 150/70 (2000 mm long), painted	A	688,-	277,-	965,-

Prices in EUR, valid EXW DE-46354 Südlohn, DE-38820 Halberstadt, unpacked  
Freight charges valid CPT Romania, islands and oversea territories excluded

# Price List 0424 en-RO

## Forklift Truck Attachments



Fork Extensions Type GO	Category	Price	Freight charges	Price including freight charges
GO 80/40 (1600 mm long), painted	A	376,-	164,-	540,-
GO 80/40 (1800 mm long), painted	A	382,-	164,-	546,-
GO 80/40 (2000 mm long), painted	A	397,-	164,-	561,-
GO 100/40 (1600 mm long), painted	A	376,-	164,-	540,-
GO 100/40 (1800 mm long), painted	A	382,-	164,-	546,-
GO 100/40 (2000 mm long), painted	A	397,-	164,-	561,-
GO 100/45 (1600 mm long), painted	A	376,-	164,-	540,-
GO 100/45 (1800 mm long), painted	A	382,-	164,-	546,-
GO 100/45 (2000 mm long), painted	A	397,-	164,-	561,-
GO 100/50 (1600 mm long), painted	A	376,-	164,-	540,-
GO 100/50 (1800 mm long), painted	A	382,-	164,-	546,-
GO 100/50 (2000 mm long), painted	A	397,-	164,-	561,-
GO 120/40 (1600 mm long), painted	A	382,-	164,-	546,-
GO 120/40 (1800 mm long), painted	A	403,-	164,-	567,-
GO 120/40 (2000 mm long), painted	A	420,-	164,-	584,-
GO 120/50 (1600 mm long), painted	A	382,-	164,-	546,-
GO 120/50 (1800 mm long), painted	A	403,-	164,-	567,-
GO 120/50 (2000 mm long), painted	A	420,-	164,-	584,-
GO 125/45 (1600 mm long), painted	A	382,-	164,-	546,-
GO 125/45 (1800 mm long), painted	A	403,-	164,-	567,-
GO 125/45 (2000 mm long), painted	A	420,-	164,-	584,-
GO 125/50 (1600 mm long), painted	A	382,-	164,-	546,-
GO 125/50 (1800 mm long), painted	A	403,-	164,-	567,-
GO 125/50 (2000 mm long), painted	A	420,-	164,-	584,-
GO 150/50 (1600 mm long), painted	A	458,-	164,-	622,-
GO 150/50 (1800 mm long), painted	A	498,-	164,-	662,-
GO 150/50 (2000 mm long), painted	A	536,-	164,-	700,-
GO 150/70 (1600 mm long), painted	A	458,-	164,-	622,-
GO 150/70 (1800 mm long), painted	A	498,-	164,-	662,-
GO 150/70 (2000 mm long), painted	A	536,-	164,-	700,-

Tilting Container Type GU	Category	Price	Freight charges	Price including freight charges
<b>GU 300, painted</b>	A	632,-	277,-	909,-
Lid, galvanized	A	94,-	18,-	112,-
Castor Set, polyamide, Load capacity 1350 kg / castor set	A	185,-	15,-	200,-
Skip Body Welded Oil and Watertight	A	75,-	0,-	75,-
Crane lifting eyes for use with a crane	A	102,-	8,-	110,-
Support legs, 100 mm ground leeway	A	67,-	8,-	75,-
<b>GU 300, hot-dip galvanized</b>	A	836,-	277,-	1113,-
Lid, galvanized	A	94,-	18,-	112,-
Castor Set, polyamide, Load capacity 1350 kg / castor set	A	185,-	15,-	200,-
Skip Body Welded Oil and Watertight	A	75,-	0,-	75,-
Crane lifting eyes for use with a crane	A	102,-	8,-	110,-
Support legs, 100 mm ground leeway	A	67,-	8,-	75,-
<b>GU 500, painted</b>	A	860,-	277,-	1137,-
Lid, galvanized	A	94,-	18,-	112,-

Prices in EUR, valid EXW DE-46354 Südlohn, DE-38820 Halberstadt, unpacked  
 Freight charges valid CPT Romania, islands and oversea territories excluded

# Price List 0424 en-RO

## Forklift Truck Attachments



Tilting Container Type GU	Category	Price	Freight charges	Price including freight charges
Castor Set, polyamide, Load capacity 1350 kg / castor set	A	185,-	15,-	200,-
Skip Body Welded Oil and Watertight	A	75,-	0,-	75,-
Adjustable dumping brake	A	448,-	10,-	458,-
Crane lifting eyes for use with a crane	A	102,-	8,-	110,-
Support legs, 100 mm ground leeway	A	67,-	8,-	75,-
<b>GU 500, hot-dip galvanized</b>	A	1120,-	277,-	1397,-
Lid, galvanized	A	94,-	18,-	112,-
Castor Set, polyamide, Load capacity 1350 kg / castor set	A	185,-	15,-	200,-
Skip Body Welded Oil and Watertight	A	75,-	0,-	75,-
Adjustable dumping brake	A	448,-	10,-	458,-
Crane lifting eyes for use with a crane	A	102,-	8,-	110,-
Support legs, 100 mm ground leeway	A	67,-	8,-	75,-
<b>GU 750, painted</b>	A	1016,-	277,-	1293,-
Lid, galvanized	A	134,-	26,-	160,-
Castor Set, polyamide, Load capacity 1350 kg / castor set	A	185,-	15,-	200,-
Skip Body Welded Oil and Watertight	A	75,-	0,-	75,-
Adjustable dumping brake	A	448,-	10,-	458,-
Crane lifting eyes for use with a crane	A	102,-	8,-	110,-
Support legs, 100 mm ground leeway	A	67,-	8,-	75,-
<b>GU 750, hot-dip galvanized</b>	A	1324,-	277,-	1601,-
Lid, galvanized	A	134,-	26,-	160,-
Castor Set, polyamide, Load capacity 1350 kg / castor set	A	185,-	15,-	200,-
Skip Body Welded Oil and Watertight	A	75,-	0,-	75,-
Adjustable dumping brake	A	448,-	10,-	458,-
Crane lifting eyes for use with a crane	A	102,-	8,-	110,-
Support legs, 100 mm ground leeway	A	67,-	8,-	75,-
<b>GU 1000, painted</b>	A	1123,-	277,-	1400,-
Lid, galvanized	A	185,-	27,-	212,-
Castor Set, polyamide, Load capacity 1350 kg / castor set	A	185,-	15,-	200,-
Skip Body Welded Oil and Watertight	A	116,-	0,-	116,-
Adjustable dumping brake	A	448,-	10,-	458,-
Crane lifting eyes for use with a crane	A	102,-	8,-	110,-
Support legs, 100 mm ground leeway	A	67,-	8,-	75,-
<b>GU 1000, hot-dip galvanized</b>	A	1591,-	406,-	1997,-
Lid, galvanized	A	185,-	27,-	212,-
Castor Set, polyamide, Load capacity 1350 kg / castor set	A	185,-	15,-	200,-
Skip Body Welded Oil and Watertight	A	116,-	0,-	116,-
Adjustable dumping brake	A	448,-	10,-	458,-
Crane lifting eyes for use with a crane	A	102,-	8,-	110,-
Support legs, 100 mm ground leeway	A	67,-	8,-	75,-
<b>GU 1500, painted</b>	A	1311,-	406,-	1717,-
Lid, galvanized	A	185,-	27,-	212,-
Castor Set, polyamide, Load capacity 1350 kg / castor set	A	185,-	15,-	200,-
Skip Body Welded Oil and Watertight	A	116,-	0,-	116,-
Adjustable dumping brake	A	448,-	10,-	458,-
Crane lifting eyes for use with a crane	A	102,-	8,-	110,-

Prices in EUR, valid EXW DE-46354 Südlohn, DE-38820 Halberstadt, unpacked  
Freight charges valid CPT Romania, islands and oversea territories excluded

# Price List 0424 en-RO

## Forklift Truck Attachments



Tilting Container Type GU	Category	Price	Freight charges	Price including freight charges
Support legs, 100 mm ground leeway	A	67,-	8,-	75,-
<b>GU 1500, hot-dip galvanized</b>	A	1709,-	406,-	2115,-
Lid, galvanized	A	185,-	27,-	212,-
Castor Set, polyamide, Load capacity 1350 kg / castor set	A	185,-	15,-	200,-
Skip Body Welded Oil and Watertight	A	116,-	0,-	116,-
Adjustable dumping brake	A	448,-	10,-	458,-
Crane lifting eyes for use with a crane	A	102,-	8,-	110,-
Support legs, 100 mm ground leeway	A	67,-	8,-	75,-
<b>GU 2000, painted</b>	A	1618,-	406,-	2024,-
Lid, galvanized	A	218,-	32,-	250,-
Castor Set, polyamide, Load capacity 1350 kg / castor set	A	185,-	15,-	200,-
Skip Body Welded Oil and Watertight	A	116,-	0,-	116,-
Adjustable dumping brake	A	448,-	10,-	458,-
Crane lifting eyes for use with a crane	A	102,-	8,-	110,-
Support legs, 100 mm ground leeway	A	67,-	8,-	75,-
<b>GU 2000, hot-dip galvanized</b>	A	2125,-	406,-	2531,-
Lid, galvanized	A	218,-	32,-	250,-
Castor Set, polyamide, Load capacity 1350 kg / castor set	A	185,-	15,-	200,-
Skip Body Welded Oil and Watertight	A	116,-	0,-	116,-
Adjustable dumping brake	A	448,-	10,-	458,-
Crane lifting eyes for use with a crane	A	102,-	8,-	110,-
Support legs, 100 mm ground leeway	A	67,-	8,-	75,-
Swarf Tilting Container Type GU-E	Category	Price	Freight charges	Price including freight charges
<b>GU-E 300, painted</b>	A	748,-	277,-	1025,-
Lid, galvanized	A	94,-	18,-	112,-
Castor Set, polyamide, Load capacity 1350 kg / castor set	A	185,-	15,-	200,-
Crane lifting eyes for use with a crane	A	102,-	8,-	110,-
Support legs, 100 mm ground leeway	A	67,-	8,-	75,-
<b>GU-E 300, hot-dip galvanized</b>	A	952,-	277,-	1229,-
Lid, galvanized	A	94,-	18,-	112,-
Castor Set, polyamide, Load capacity 1350 kg / castor set	A	185,-	15,-	200,-
Crane lifting eyes for use with a crane	A	102,-	8,-	110,-
Support legs, 100 mm ground leeway	A	67,-	8,-	75,-
<b>GU-E 500, painted</b>	A	977,-	277,-	1254,-
Lid, galvanized	A	94,-	18,-	112,-
Castor Set, polyamide, Load capacity 1350 kg / castor set	A	185,-	15,-	200,-
Adjustable dumping brake	A	448,-	10,-	458,-
Crane lifting eyes for use with a crane	A	102,-	8,-	110,-
Support legs, 100 mm ground leeway	A	67,-	8,-	75,-
<b>GU-E 500, hot-dip galvanized</b>	A	1236,-	277,-	1513,-
Lid, galvanized	A	94,-	18,-	112,-
Castor Set, polyamide, Load capacity 1350 kg / castor set	A	185,-	15,-	200,-
Adjustable dumping brake	A	448,-	10,-	458,-
Crane lifting eyes for use with a crane	A	102,-	8,-	110,-
Support legs, 100 mm ground leeway	A	67,-	8,-	75,-

Prices in EUR, valid EXW DE-46354 Südlohn, DE-38820 Halberstadt, unpacked  
Freight charges valid CPT Romania, islands and oversea territories excluded

# Price List 0424 en-RO

## Forklift Truck Attachments



Swarf Tilting Container Type GU-E	Category	Price	Freight charges	Price including freight charges
<b>GU-E 750, painted</b>	A	1132,-	277,-	1409,-
Lid, galvanized	A	134,-	26,-	160,-
Castor Set, polyamide, Load capacity 1350 kg / castor set	A	185,-	15,-	200,-
Adjustable dumping brake	A	448,-	10,-	458,-
Crane lifting eyes for use with a crane	A	102,-	8,-	110,-
Support legs, 100 mm ground leeway	A	67,-	8,-	75,-
<b>GU-E 750, hot-dip galvanized</b>	A	1440,-	277,-	1717,-
Lid, galvanized	A	134,-	26,-	160,-
Castor Set, polyamide, Load capacity 1350 kg / castor set	A	185,-	15,-	200,-
Adjustable dumping brake	A	448,-	10,-	458,-
Crane lifting eyes for use with a crane	A	102,-	8,-	110,-
Support legs, 100 mm ground leeway	A	67,-	8,-	75,-
<b>GU-E 1000, painted</b>	A	1280,-	277,-	1557,-
Lid, galvanized	A	185,-	27,-	212,-
Castor Set, polyamide, Load capacity 1350 kg / castor set	A	185,-	15,-	200,-
Adjustable dumping brake	A	448,-	10,-	458,-
Crane lifting eyes for use with a crane	A	102,-	8,-	110,-
Support legs, 100 mm ground leeway	A	67,-	8,-	75,-
<b>GU-E 1000, hot-dip galvanized</b>	A	1748,-	406,-	2154,-
Lid, galvanized	A	185,-	27,-	212,-
Castor Set, polyamide, Load capacity 1350 kg / castor set	A	185,-	15,-	200,-
Adjustable dumping brake	A	448,-	10,-	458,-
Crane lifting eyes for use with a crane	A	102,-	8,-	110,-
Support legs, 100 mm ground leeway	A	67,-	8,-	75,-
<b>GU-E 1500, painted</b>	A	1468,-	406,-	1874,-
Lid, galvanized	A	185,-	27,-	212,-
Castor Set, polyamide, Load capacity 1350 kg / castor set	A	185,-	15,-	200,-
Adjustable dumping brake	A	448,-	10,-	458,-
Crane lifting eyes for use with a crane	A	102,-	8,-	110,-
Support legs, 100 mm ground leeway	A	67,-	8,-	75,-
<b>GU-E 1500, hot-dip galvanized</b>	A	1866,-	406,-	2272,-
Lid, galvanized	A	185,-	27,-	212,-
Castor Set, polyamide, Load capacity 1350 kg / castor set	A	185,-	15,-	200,-
Adjustable dumping brake	A	448,-	10,-	458,-
Crane lifting eyes for use with a crane	A	102,-	8,-	110,-
Support legs, 100 mm ground leeway	A	67,-	8,-	75,-
<b>GU-E 2000, painted</b>	A	1775,-	406,-	2181,-
Lid, galvanized	A	218,-	32,-	250,-
Castor Set, polyamide, Load capacity 1350 kg / castor set	A	185,-	15,-	200,-
Adjustable dumping brake	A	448,-	10,-	458,-
Crane lifting eyes for use with a crane	A	102,-	8,-	110,-
Support legs, 100 mm ground leeway	A	67,-	8,-	75,-
<b>GU-E 2000, hot-dip galvanized</b>	A	2282,-	406,-	2688,-
Lid, galvanized	A	218,-	32,-	250,-
Castor Set, polyamide, Load capacity 1350 kg / castor set	A	185,-	15,-	200,-
Adjustable dumping brake	A	448,-	10,-	458,-

Prices in EUR, valid EXW DE-46354 Südlohn, DE-38820 Halberstadt, unpacked  
Freight charges valid CPT Romania, islands and oversea territories excluded



# Price List 0424 en-RO

## Forklift Truck Attachments



<b>Swarf Tilting Container Type GU-E</b>	<b>Category</b>	<b>Price</b>	<b>Freight charges</b>	<b>Price including freight charges</b>
Crane lifting eyes for use with a crane	A	102,-	8,-	110,-
Support legs, 100 mm ground leeway	A	67,-	8,-	75,-

<b>Tilting Container Type GU-RZ</b>	<b>Category</b>	<b>Price</b>	<b>Freight charges</b>	<b>Price including freight charges</b>
<b>GU-RZ 30, painted</b>	A	675,-	277,-	952,-
Lid, galvanized	A	91,-	18,-	109,-
<b>GU-RZ 30, hot-dip galvanized</b>	A	752,-	277,-	1029,-
Lid, galvanized	A	91,-	18,-	109,-
<b>GU-RZ 55, painted</b>	A	899,-	277,-	1176,-
Lid, galvanized	A	91,-	18,-	109,-
<b>GU-RZ 55, hot-dip galvanized</b>	A	991,-	277,-	1268,-
Lid, galvanized	A	91,-	18,-	109,-

<b>Fork Protection Type GZS</b>	<b>Category</b>	<b>Price</b>	<b>Freight charges</b>	<b>Price including freight charges</b>
GZS, painted	F	172,-	118,-	290,-

<b>Container With Drop Away Base Type HKB</b>	<b>Category</b>	<b>Price</b>	<b>Freight charges</b>	<b>Price including freight charges</b>
HKB 60, painted	A	1041,-	277,-	1318,-
HKB 60, hot-dip galvanized	A	1220,-	277,-	1497,-
HKB 70, painted	A	1101,-	277,-	1378,-
HKB 70, hot-dip galvanized	A	1295,-	277,-	1572,-
HKB 90, painted	A	1369,-	277,-	1646,-
HKB 90, hot-dip galvanized	A	1636,-	406,-	2042,-

<b>Shovel Type HVR</b>	<b>Category</b>	<b>Price</b>	<b>Freight charges</b>	<b>Price including freight charges</b>
HVR 50, painted	A	3278,-	406,-	3684,-
HVR 75, painted	A	3841,-	491,-	4332,-
HVR 80 L, painted	A	3956,-	491,-	4447,-
HVR 100, painted	A	4862,-	718,-	5580,-
HVR 150, painted	A	6214,-	718,-	6932,-

<b>Kippomat Type KG-A</b>	<b>Category</b>	<b>Price</b>	<b>Freight charges</b>	<b>Price including freight charges</b>
KG-A, hot-dip galvanized	A	3109,-	406,-	3515,-

<b>Kippomat Type KG-B</b>	<b>Category</b>	<b>Price</b>	<b>Freight charges</b>	<b>Price including freight charges</b>
KG-B, hot-dip galvanized	A	3030,-	406,-	3436,-

<b>Kippomat Type KG-C</b>	<b>Category</b>	<b>Price</b>	<b>Freight charges</b>	<b>Price including freight charges</b>
KG-C, hot-dip galvanized	A	2010,-	277,-	2287,-

<b>Tipping Skip Type KK</b>	<b>Category</b>	<b>Price</b>	<b>Freight charges</b>	<b>Price including freight charges</b>
<b>KK 250, painted</b>	E	467,-	164,-	631,-
Lid, galvanized	E	131,-	15,-	146,-
Castor Set, polyamide, Load capacity 1050 kg / castor set	A	131,-	15,-	146,-

Prices in EUR, valid EXW DE-46354 Südlohn, DE-38820 Halberstadt, unpacked  
 Freight charges valid CPT Romania, islands and oversea territories excluded

# Price List 0424 en-RO

## Forklift Truck Attachments



Tipping Skip Type KK	Category	Price	Freight charges	Price including freight charges
Castor Set, solid rubber, Load capacity 615 kg / castor set	E	99,-	15,-	114,-
<b>KK 250, hot-dip galvanized</b>	E	515,-	164,-	679,-
Lid, galvanized	E	131,-	15,-	146,-
Castor Set, polyamide, Load capacity 1050 kg / castor set	A	131,-	15,-	146,-
Castor Set, solid rubber, Load capacity 615 kg / castor set	E	99,-	15,-	114,-
<b>KK 400, painted</b>	E	532,-	164,-	696,-
Lid, galvanized	E	150,-	16,-	166,-
Castor Set, polyamide, Load capacity 1050 kg / castor set	A	131,-	15,-	146,-
Castor Set, solid rubber, Load capacity 615 kg / castor set	E	99,-	15,-	114,-
<b>KK 400, hot-dip galvanized</b>	E	579,-	164,-	743,-
Lid, galvanized	E	150,-	16,-	166,-
Castor Set, polyamide, Load capacity 1050 kg / castor set	A	131,-	15,-	146,-
Castor Set, solid rubber, Load capacity 615 kg / castor set	E	99,-	15,-	114,-
<b>KK 600, painted</b>	E	738,-	277,-	1015,-
Lid, galvanized	E	167,-	20,-	187,-
Castor Set, polyamide, Load capacity 1050 kg / castor set	A	131,-	15,-	146,-
Castor Set, solid rubber, Load capacity 615 kg / castor set	E	99,-	15,-	114,-
<b>KK 600, hot-dip galvanized</b>	E	835,-	277,-	1112,-
Castor Set, solid rubber, Load capacity 615 kg / castor set	E	99,-	15,-	114,-
Lid, galvanized	E	167,-	20,-	187,-
Castor Set, polyamide, Load capacity 1050 kg / castor set	A	131,-	15,-	146,-
<b>KK 800, painted</b>	E	795,-	277,-	1072,-
Lid, galvanized	E	174,-	21,-	195,-
Castor Set, polyamide, Load capacity 1050 kg / castor set	A	131,-	15,-	146,-
Castor Set, solid rubber, Load capacity 615 kg / castor set	E	99,-	15,-	114,-
<b>KK 800, hot-dip galvanized</b>	E	898,-	277,-	1175,-
Lid, galvanized	E	174,-	21,-	195,-
Castor Set, polyamide, Load capacity 1050 kg / castor set	A	131,-	15,-	146,-
Castor Set, solid rubber, Load capacity 615 kg / castor set	E	99,-	15,-	114,-
<b>KK 1000, painted</b>	E	851,-	277,-	1128,-
Lid, galvanized	E	186,-	22,-	208,-
Castor Set, polyamide, Load capacity 1050 kg / castor set	A	131,-	15,-	146,-
Castor Set, solid rubber, Load capacity 615 kg / castor set	E	99,-	15,-	114,-
<b>KK 1000, hot-dip galvanized</b>	E	979,-	277,-	1256,-
Lid, galvanized	E	186,-	22,-	208,-
Castor Set, polyamide, Load capacity 1050 kg / castor set	A	131,-	15,-	146,-
Castor Set, solid rubber, Load capacity 615 kg / castor set	E	99,-	15,-	114,-
<b>Kippomat Type KM</b>	<b>Category</b>	<b>Price</b>	<b>Freight charges</b>	<b>Price including freight charges</b>
<b>KM, hot-dip galvanized</b>	A	3109,-	277,-	3386,-
<b>Tipping Skip Type KN</b>	<b>Category</b>	<b>Price</b>	<b>Freight charges</b>	<b>Price including freight charges</b>
<b>KN 250, painted</b>	E	467,-	164,-	631,-
Lid, galvanized	E	131,-	15,-	146,-
Castor Set, polyamide, Load capacity 1050 kg / castor set	A	131,-	15,-	146,-

Prices in EUR, valid EXW DE-46354 Südlohn, DE-38820 Halberstadt, unpacked  
Freight charges valid CPT Romania, islands and oversea territories excluded

# Price List 0424 en-RO

## Forklift Truck Attachments



Tipping Skip Type KN	Category	Price	Freight charges	Price including freight charges
Castor Set, solid rubber, Load capacity 615 kg / castor set	E	99,-	15,-	114,-
<b>KN 250, hot-dip galvanized</b>	E	515,-	164,-	679,-
Lid, galvanized	E	131,-	15,-	146,-
Castor Set, polyamide, Load capacity 1050 kg / castor set	A	131,-	15,-	146,-
Castor Set, solid rubber, Load capacity 615 kg / castor set	E	99,-	15,-	114,-
<b>KN 400, painted</b>	E	532,-	164,-	696,-
Lid, galvanized	E	150,-	16,-	166,-
Castor Set, polyamide, Load capacity 1050 kg / castor set	A	131,-	15,-	146,-
Castor Set, solid rubber, Load capacity 615 kg / castor set	E	99,-	15,-	114,-
<b>KN 400, hot-dip galvanized</b>	E	579,-	164,-	743,-
Lid, galvanized	E	150,-	16,-	166,-
Castor Set, polyamide, Load capacity 1050 kg / castor set	A	131,-	15,-	146,-
Castor Set, solid rubber, Load capacity 615 kg / castor set	E	99,-	15,-	114,-
Tipping Skip Type KS	Category	Price	Freight charges	Price including freight charges
<b>KS 400, painted</b>	E	869,-	277,-	1146,-
<b>KS 550, painted</b>	E	931,-	277,-	1208,-
<b>KS 700, painted</b>	E	989,-	277,-	1266,-
Extensible Crane Arm Type KT	Category	Price	Freight charges	Price including freight charges
<b>KT 2,5, painted</b>	A	1399,-	277,-	1676,-
<b>KT 2,5, hot-dip galvanized</b>	A	1703,-	406,-	2109,-
<b>KT 5,0, painted</b>	A	1737,-	406,-	2143,-
<b>KT 5,0, hot-dip galvanized</b>	A	2166,-	406,-	2572,-
Extensible Crane Arm Type KTH	Category	Price	Freight charges	Price including freight charges
<b>KTH 2,5, painted</b>	A	1688,-	406,-	2094,-
<b>KTH 2,5, hot-dip galvanized</b>	A	1998,-	406,-	2404,-
<b>KTH 5,0, painted</b>	A	1943,-	406,-	2349,-
<b>KTH 5,0, hot-dip galvanized</b>	A	2292,-	406,-	2698,-
Extensible Crane Arm Type KTH-K	Category	Price	Freight charges	Price including freight charges
<b>KTH-K 2,5, painted</b>	A	1551,-	277,-	1828,-
<b>KTH-K 2,5, hot-dip galvanized</b>	A	1877,-	277,-	2154,-
<b>KTH-K 5,0, painted</b>	A	1789,-	277,-	2066,-
<b>KTH-K 5,0, hot-dip galvanized</b>	A	2156,-	406,-	2562,-
Extensible Crane Arm Type KT-K	Category	Price	Freight charges	Price including freight charges
<b>KT-K 2,5, painted</b>	A	1247,-	277,-	1524,-
<b>KT-K 2,5, hot-dip galvanized</b>	A	1567,-	277,-	1844,-
<b>KT-K 5,0, painted</b>	A	1570,-	277,-	1847,-
<b>KT-K 5,0, hot-dip galvanized</b>	A	2021,-	277,-	2298,-
Barrow Tipper Type KW-ET	Category	Price	Freight charges	Price including freight charges
<b>KW-ET 250, painted</b>	E	568,-	164,-	732,-

Prices in EUR, valid EXW DE-46354 Südlohn, DE-38820 Halberstadt, unpacked  
Freight charges valid CPT Romania, islands and oversea territories excluded

# Price List 0424 en-R0

## Forklift Truck Attachments



Barrow Tipper Type KW-ET	Category	Price	Freight charges	Price including freight charges
Lid, galvanized	E	131,-	15,-	146,-
<b>KW-ET 250, hot-dip galvanized</b>	E	869,-	164,-	1033,-
Lid, galvanized	E	131,-	15,-	146,-
<b>KW-ET 400, painted</b>	E	626,-	164,-	790,-
Lid, galvanized	E	150,-	16,-	166,-
<b>KW-ET 400, hot-dip galvanized</b>	E	964,-	164,-	1128,-
Lid, galvanized	E	150,-	16,-	166,-
<b>KW-ET 600, painted</b>	E	780,-	277,-	1057,-
Lid, galvanized	E	167,-	20,-	187,-
<b>KW-ET 600, hot-dip galvanized</b>	E	1126,-	277,-	1403,-
Lid, galvanized	E	167,-	20,-	187,-
<b>KW-ET 1000, painted</b>	E	963,-	277,-	1240,-
Lid, galvanized	E	186,-	22,-	208,-
<b>KW-ET 1000, hot-dip galvanized</b>	E	1537,-	277,-	1814,-
Lid, galvanized	E	186,-	22,-	208,-

Loading Arm Type LA	Category	Price	Freight charges	Price including freight charges
LA 1600-1,0, painted	A	523,-	164,-	687,-
LA 1600-1,0, hot-dip galvanized	A	561,-	164,-	725,-
LA 1600-2,5, painted	A	759,-	164,-	923,-
LA 1600-2,5, hot-dip galvanized	A	895,-	164,-	1059,-
LA 1600-5,0, painted	A	1094,-	277,-	1371,-
LA 1600-5,0, hot-dip galvanized	A	1280,-	277,-	1557,-
LA 2400-1,0, painted	A	549,-	164,-	713,-
LA 2400-1,0, hot-dip galvanized	A	610,-	164,-	774,-
LA 2400-2,5, painted	A	847,-	277,-	1124,-
LA 2400-2,5, hot-dip galvanized	A	982,-	277,-	1259,-
LA 2400-5,0, painted	A	1207,-	277,-	1484,-
LA 2400-5,0, hot-dip galvanized	A	1429,-	277,-	1706,-
LA 25-1,0, painted	A	610,-	164,-	774,-
LA 25-1,0, hot-dip galvanized	A	659,-	164,-	823,-

Loading Arm Type LAT	Category	Price	Freight charges	Price including freight charges
LAT 25-1,0, painted	A	740,-	164,-	904,-
LAT 25-1,0, hot-dip galvanized	A	809,-	164,-	973,-

Scissor Gripper Type LG	Category	Price	Freight charges	Price including freight charges
LG 60, painted	B	236,-	118,-	354,-
LG 60, galvanized	B	215,-	118,-	333,-
LG 200, painted	B	236,-	118,-	354,-
LG 200, galvanized	B	215,-	118,-	333,-

Container for Long Material Type LGK	Category	Price	Freight charges	Price including freight charges
<b>LGK, painted</b>	A	1329,-	277,-	1606,-
Castor Set, polyamide, Load capacity 1350 kg / castor set	A	185,-	15,-	200,-

Prices in EUR, valid EXW DE-46354 Südlohn, DE-38820 Halberstadt, unpacked  
 Freight charges valid CPT Romania, islands and oversea territories excluded

# Price List 0424 en-R0

## Forklift Truck Attachments



Container for Long Material Type LGK	Category	Price	Freight charges	Price including freight charges
LGK, hot-dip galvanized	A	1619,-	277,-	1896,-
Castor Set, polyamide, Load capacity 1350 kg / castor set	A	185,-	15,-	200,-

Long Material Carrier Type LGT	Category	Price	Freight charges	Price including freight charges
LGT 1,5, painted	A	1863,-	406,-	2269,-
LGT 1,5, hot-dip galvanized	A	2186,-	406,-	2592,-
LGT 2,5, painted	A	2090,-	on request	on request
LGT 2,5, hot-dip galvanized	A	2502,-	on request	on request
LGT 3,5, painted	A	2887,-	on request	on request
LGT 3,5, hot-dip galvanized	A	3545,-	on request	on request
LGT 4,5, painted	A	3190,-	on request	on request
LGT 4,5, hot-dip galvanized	A	3933,-	on request	on request

Drum Claw Type LGZ	Category	Price	Freight charges	Price including freight charges
LGZ 60, painted	B	217,-	118,-	335,-
LGZ 60, galvanized	B	203,-	118,-	321,-
LGZ 200, painted	B	217,-	118,-	335,-
LGZ 200, galvanized	B	203,-	118,-	321,-

Crane Hook Type LH	Category	Price	Freight charges	Price including freight charges
LH-I 1,0, painted	A	192,-	118,-	310,-
LH-I 1,0, hot-dip galvanized	A	215,-	118,-	333,-
LH-I 1,5, painted	A	210,-	118,-	328,-
LH-I 1,5, hot-dip galvanized	A	233,-	118,-	351,-
LH-I 2,0, painted	A	221,-	118,-	339,-
LH-I 2,0, hot-dip galvanized	A	245,-	118,-	363,-
LH-I 2,5, painted	A	246,-	118,-	364,-
LH-I 2,5, hot-dip galvanized	A	269,-	118,-	387,-
LH-I 3,0, painted	A	319,-	118,-	437,-
LH-I 3,0, hot-dip galvanized	A	343,-	118,-	461,-
LH-II 1,5, painted	A	317,-	118,-	435,-
LH-II 1,5, hot-dip galvanized	A	365,-	118,-	483,-
LH-II 2,5, painted	A	419,-	118,-	537,-
LH-II 2,5, hot-dip galvanized	A	498,-	118,-	616,-
LH-II 5,0, painted	A	695,-	164,-	859,-
LH-II 5,0, hot-dip galvanized	A	780,-	164,-	944,-
LH-II 7,5, painted	A	827,-	164,-	991,-
LH-II 7,5, hot-dip galvanized	A	916,-	164,-	1080,-

Long Load Handler Type LSL	Category	Price	Freight charges	Price including freight charges
LSL, painted	A	1102,-	277,-	1379,-
LSL, hot-dip galvanized	A	1265,-	277,-	1542,-

Long Material Sidecar Type LSW	Category	Price	Freight charges	Price including freight charges
LSW 1,3, painted	A	920,-	164,-	1084,-

Prices in EUR, valid EXW DE-46354 Südlohn, DE-38820 Halberstadt, unpacked  
Freight charges valid CPT Romania, islands and oversea territories excluded

# Price List 0424 en-RO

## Forklift Truck Attachments



Long Material Sidecar Type LSW	Category	Price	Freight charges	Price including freight charges
LSW 1,3, hot-dip galvanized	A	982,-	277,-	1259,-
LSW 2,5, painted	A	1093,-	164,-	1257,-
LSW 2,5, hot-dip galvanized	A	1156,-	277,-	1433,-
Access Safety Platform Type MB-B	Category	Price	Freight charges	Price including freight charges
MB-B, painted	A	1048,-	277,-	1325,-
Castor Set, polyamide, Load capacity 1050 kg / castor set	A	131,-	15,-	146,-
Access Safety Platform Type MB-B/L	Category	Price	Freight charges	Price including freight charges
MB-B/L, painted	A	1230,-	277,-	1507,-
Castor Set, polyamide, Load capacity 1050 kg / castor set	A	131,-	15,-	146,-
Access Safety Platform Type MB-D	Category	Price	Freight charges	Price including freight charges
MB-D, painted	A	877,-	277,-	1154,-
Castor Set, polyamide, Load capacity 1050 kg / castor set	A	131,-	15,-	146,-
Access Safety Platform Type MB-D/L	Category	Price	Freight charges	Price including freight charges
MB-D/L, painted	A	1058,-	277,-	1335,-
Castor Set, polyamide, Load capacity 1050 kg / castor set	A	131,-	15,-	146,-
Access Safety Platform Type MB-F	Category	Price	Freight charges	Price including freight charges
MB-F, painted	A	1037,-	277,-	1314,-
Castor Set, polyamide, Load capacity 1050 kg / castor set	A	131,-	15,-	146,-
Access Safety Platform Type MB-II	Category	Price	Freight charges	Price including freight charges
MB-II, painted	A	960,-	277,-	1237,-
Castor Set, polyamide, Load capacity 1050 kg / castor set	A	131,-	15,-	146,-
MB-II, hot-dip galvanized	A	1131,-	277,-	1408,-
Castor Set, polyamide, Load capacity 1050 kg / castor set	A	131,-	15,-	146,-
Access Safety Platform Type MB-K-IV	Category	Price	Freight charges	Price including freight charges
MB-K-IV, painted	A	1943,-	327,-	2270,-
Access Safety Platform Type MB-ST	Category	Price	Freight charges	Price including freight charges
MB-ST, painted	A	2488,-	277,-	2765,-
Castor Set, polyamide, Load capacity 1050 kg / castor set	A	131,-	15,-	146,-
Access Safety Platform Type MB-ST/L	Category	Price	Freight charges	Price including freight charges
MB-ST/L, painted	A	2670,-	277,-	2947,-
Castor Set, polyamide, Load capacity 1050 kg / castor set	A	131,-	15,-	146,-
Access Safety Platform Type MB-ST/T	Category	Price	Freight charges	Price including freight charges
MB-ST/T, painted	A	2804,-	277,-	3081,-
Castor Set, polyamide, Load capacity 1050 kg / castor set	A	131,-	15,-	146,-

Prices in EUR, valid EXW DE-46354 Südlohn, DE-38820 Halberstadt, unpacked  
Freight charges valid CPT Romania, islands and oversea territories excluded

# Price List 0424 en-RO

## Forklift Truck Attachments



Access Safety Platform Type MB-ST/T/L	Category	Price	Freight charges	Price including freight charges
<b>MB-ST/T/L, painted</b>	A	2987,-	277,-	3264,-
Castor Set, polyamide, Load capacity 1050 kg / castor set	A	131,-	15,-	146,-
<b>Mini Tilting Container Type MGU</b>	<b>Category</b>	<b>Price</b>	<b>Freight charges</b>	<b>Price including freight charges</b>
<b>MGU 230, painted</b>	A	549,-	164,-	713,-
Lid, galvanized	A	126,-	18,-	144,-
Castor Set, polyamide, Load capacity 1050 kg / castor set	A	150,-	15,-	165,-
Skip Body Welded Oil and Watertight	A	75,-	0,-	75,-
<b>MGU 230, hot-dip galvanized</b>	A	632,-	277,-	909,-
Lid, galvanized	A	126,-	18,-	144,-
Castor Set, polyamide, Load capacity 1050 kg / castor set	A	150,-	15,-	165,-
Skip Body Welded Oil and Watertight	A	75,-	0,-	75,-
<b>MGU 270, painted</b>	A	600,-	277,-	877,-
Lid, galvanized	A	126,-	18,-	144,-
Castor Set, polyamide, Load capacity 1050 kg / castor set	A	150,-	15,-	165,-
Skip Body Welded Oil and Watertight	A	75,-	0,-	75,-
<b>MGU 270, hot-dip galvanized</b>	A	704,-	277,-	981,-
Lid, galvanized	A	126,-	18,-	144,-
Castor Set, polyamide, Load capacity 1050 kg / castor set	A	150,-	15,-	165,-
Skip Body Welded Oil and Watertight	A	75,-	0,-	75,-
<b>MGU 460, painted</b>	A	787,-	277,-	1064,-
Lid, galvanized	A	163,-	22,-	185,-
Castor Set, polyamide, Load capacity 1050 kg / castor set	A	150,-	15,-	165,-
Skip Body Welded Oil and Watertight	A	75,-	0,-	75,-
<b>MGU 460, hot-dip galvanized</b>	A	934,-	277,-	1211,-
Lid, galvanized	A	163,-	22,-	185,-
Castor Set, polyamide, Load capacity 1050 kg / castor set	A	150,-	15,-	165,-
Skip Body Welded Oil and Watertight	A	75,-	0,-	75,-
<b>MGU 610, painted</b>	A	887,-	277,-	1164,-
Lid, galvanized	A	174,-	26,-	200,-
Castor Set, polyamide, Load capacity 1050 kg / castor set	A	150,-	15,-	165,-
Skip Body Welded Oil and Watertight	A	75,-	0,-	75,-
<b>MGU 610, hot-dip galvanized</b>	A	1052,-	277,-	1329,-
Lid, galvanized	A	174,-	26,-	200,-
Castor Set, polyamide, Load capacity 1050 kg / castor set	A	150,-	15,-	165,-
Skip Body Welded Oil and Watertight	A	75,-	0,-	75,-
<b>Wheelie Bin Jack Type MH</b>	<b>Category</b>	<b>Price</b>	<b>Freight charges</b>	<b>Price including freight charges</b>
<b>MH-I, painted</b>	A	634,-	164,-	798,-
<b>MH-II, painted</b>	A	700,-	164,-	864,-
<b>MH-III, painted</b>	A	757,-	164,-	921,-
<b>Wheelie Bin Tipper Type MK</b>	<b>Category</b>	<b>Price</b>	<b>Freight charges</b>	<b>Price including freight charges</b>
<b>MK 120, painted</b>	A	1229,-	164,-	1393,-
<b>MK 240, painted</b>	A	1229,-	164,-	1393,-

Prices in EUR, valid EXW DE-46354 Südlohn, DE-38820 Halberstadt, unpacked  
Freight charges valid CPT Romania, islands and oversea territories excluded

# Price List 0424 en-RO

## Forklift Truck Attachments



Wheeler Bin Tipper Type MK-H	Category	Price	Freight charges	Price including freight charges
MK-H 120, painted	A	1837,-	164,-	2001,-
MK-H 240, painted	A	1837,-	277,-	2114,-

Mini Container With Drop Away Base Type MSB	Category	Price	Freight charges	Price including freight charges
<b>MSB 150, painted</b>	A	614,-	164,-	778,-
Castor Set, polyamide, Load capacity 1050 kg / castor set	A	150,-	15,-	165,-
Guiding Plates, galvanized	A	70,-	12,-	82,-
<b>MSB 150, hot-dip galvanized</b>	A	720,-	164,-	884,-
Castor Set, polyamide, Load capacity 1050 kg / castor set	A	150,-	15,-	165,-
Guiding Plates, galvanized	A	70,-	12,-	82,-
<b>MSB 250, painted</b>	A	666,-	164,-	830,-
Castor Set, polyamide, Load capacity 1050 kg / castor set	A	150,-	15,-	165,-
Guiding Plates, galvanized	A	70,-	12,-	82,-
<b>MSB 250, hot-dip galvanized</b>	A	798,-	164,-	962,-
Castor Set, polyamide, Load capacity 1050 kg / castor set	A	150,-	15,-	165,-
Guiding Plates, galvanized	A	70,-	12,-	82,-
<b>MSB 400, painted</b>	A	821,-	277,-	1098,-
Castor Set, polyamide, Load capacity 1050 kg / castor set	A	150,-	15,-	165,-
Guiding Plates, galvanized	A	70,-	12,-	82,-
<b>MSB 400, hot-dip galvanized</b>	A	983,-	277,-	1260,-
Castor Set, polyamide, Load capacity 1050 kg / castor set	A	150,-	15,-	165,-
Guiding Plates, galvanized	A	70,-	12,-	82,-

Tilting Container Type NK	Category	Price	Freight charges	Price including freight charges
<b>NK 30, painted</b>	A	676,-	277,-	953,-
Lid, galvanized	A	94,-	15,-	109,-
Castor Set, polyamide, Load capacity 1350 kg / castor set	A	185,-	15,-	200,-
Skip Body Welded Oil and Watertight	A	75,-	0,-	75,-
<b>NK 30, hot-dip galvanized</b>	A	950,-	277,-	1227,-
Lid, galvanized	A	94,-	15,-	109,-
Castor Set, polyamide, Load capacity 1350 kg / castor set	A	185,-	15,-	200,-
Skip Body Welded Oil and Watertight	A	75,-	0,-	75,-
<b>NK 50, painted</b>	A	950,-	277,-	1227,-
Lid, galvanized	A	94,-	18,-	112,-
Castor Set, polyamide, Load capacity 1350 kg / castor set	A	185,-	15,-	200,-
Skip Body Welded Oil and Watertight	A	75,-	0,-	75,-
<b>NK 50, hot-dip galvanized</b>	A	1282,-	277,-	1559,-
Lid, galvanized	A	94,-	18,-	112,-
Castor Set, polyamide, Load capacity 1350 kg / castor set	A	185,-	15,-	200,-
Skip Body Welded Oil and Watertight	A	75,-	0,-	75,-
<b>NK 75, painted</b>	A	1077,-	406,-	1483,-
Lid, galvanized	A	137,-	22,-	159,-
Castor Set, polyamide, Load capacity 1350 kg / castor set	A	185,-	15,-	200,-
Skip Body Welded Oil and Watertight	A	75,-	0,-	75,-
<b>NK 75, hot-dip galvanized</b>	A	1684,-	406,-	2090,-

Prices in EUR, valid EXW DE-46354 Südlohn, DE-38820 Halberstadt, unpacked  
Freight charges valid CPT Romania, islands and oversea territories excluded



# Price List 0424 en-RO

## Forklift Truck Attachments



Tilting Container Type NK	Category	Price	Freight charges	Price including freight charges
Lid, galvanized	A	137,-	22,-	159,-
Castor Set, polyamide, Load capacity 1350 kg / castor set	A	185,-	15,-	200,-
Skip Body Welded Oil and Watertight	A	75,-	0,-	75,-
<b>NK 100, painted</b>	A	1457,-	406,-	1863,-
Lid, galvanized	A	167,-	27,-	194,-
Castor Set, polyamide, Load capacity 1350 kg / castor set	A	185,-	15,-	200,-
Skip Body Welded Oil and Watertight	A	116,-	0,-	116,-
<b>NK 100, hot-dip galvanized</b>	A	2000,-	406,-	2406,-
Lid, galvanized	A	167,-	27,-	194,-
Castor Set, polyamide, Load capacity 1350 kg / castor set	A	185,-	15,-	200,-
Skip Body Welded Oil and Watertight	A	116,-	0,-	116,-
Cylindrical Container Type RB	Category	Price	Freight charges	Price including freight charges
<b>RB 300, painted</b>	A	656,-	164,-	820,-
Lid, aluminium	A	154,-	14,-	168,-
Castor Set, polyamide, Load capacity 1050 kg / castor set	A	150,-	15,-	165,-
<b>RB 300, hot-dip galvanized</b>	A	763,-	164,-	927,-
Lid, aluminium	A	154,-	14,-	168,-
Castor Set, polyamide, Load capacity 1050 kg / castor set	A	150,-	15,-	165,-
<b>RB 450, painted</b>	A	766,-	164,-	930,-
Lid, aluminium	A	154,-	14,-	168,-
Castor Set, polyamide, Load capacity 1050 kg / castor set	A	150,-	15,-	165,-
<b>RB 450, hot-dip galvanized</b>	A	895,-	164,-	1059,-
Lid, aluminium	A	154,-	14,-	168,-
Castor Set, polyamide, Load capacity 1050 kg / castor set	A	150,-	15,-	165,-
Tilting Container Type RD	Category	Price	Freight charges	Price including freight charges
<b>RD 750, painted</b>	A	1161,-	406,-	1567,-
Castor Set, polyamide, Load capacity 1350 kg / castor set	A	185,-	15,-	200,-
Skip Body Welded Oil and Watertight	A	75,-	0,-	75,-
<b>RD 750, hot-dip galvanized</b>	A	1547,-	406,-	1953,-
Castor Set, polyamide, Load capacity 1350 kg / castor set	A	185,-	15,-	200,-
Skip Body Welded Oil and Watertight	A	75,-	0,-	75,-
<b>RD 1000, painted</b>	A	1400,-	406,-	1806,-
Castor Set, polyamide, Load capacity 1350 kg / castor set	A	185,-	15,-	200,-
Skip Body Welded Oil and Watertight	A	116,-	0,-	116,-
<b>RD 1000, hot-dip galvanized</b>	A	1867,-	406,-	2273,-
Castor Set, polyamide, Load capacity 1350 kg / castor set	A	185,-	15,-	200,-
Skip Body Welded Oil and Watertight	A	116,-	0,-	116,-
Platform for Off-Cuts Type RGP	Category	Price	Freight charges	Price including freight charges
<b>RGP-1, painted</b>	A	2354,-	on request	on request
<b>RGP-1, hot-dip galvanized</b>	A	3012,-	on request	on request
<b>RGP-2, painted</b>	A	2578,-	on request	on request
<b>RGP-2, hot-dip galvanized</b>	A	3437,-	on request	on request

Prices in EUR, valid EXW DE-46354 Südlohn, DE-38820 Halberstadt, unpacked  
Freight charges valid CPT Romania, islands and oversea territories excluded

# Price List 0424 en-R0

## Forklift Truck Attachments



Platform for Off-Cuts Type RGP	Category	Price	Freight charges	Price including freight charges
RGP-3, painted	A	2808,-	on request	on request
RGP-3, hot-dip galvanized	A	3783,-	on request	on request
Shunting Aid Type RH	Category	Price	Freight charges	Price including freight charges
RH, painted	A	411,-	118,-	529,-
Shunting Aid Type RH-AC	Category	Price	Freight charges	Price including freight charges
RH-AC, painted	A	2227,-	406,-	2633,-
Shunting Aid Type RH-RA	Category	Price	Freight charges	Price including freight charges
RH-RA, painted	A	1532,-	164,-	1696,-
Shunting Aid Type RH-RAK	Category	Price	Freight charges	Price including freight charges
RH-RAK, painted	A	1633,-	164,-	1797,-
Shunting Aid Type RH-RM	Category	Price	Freight charges	Price including freight charges
RH-RM, painted	A	1138,-	164,-	1302,-
Shunting Aid Type RH-RMK	Category	Price	Freight charges	Price including freight charges
RH-RMK, painted	A	1241,-	164,-	1405,-
Drum Lifter Type RS 60	Category	Price	Freight charges	Price including freight charges
RS 60-I, painted	B	978,-	164,-	1142,-
RS 60-I, hot-dip galvanized	B	1039,-	164,-	1203,-
RS 60-II, painted	B	1655,-	164,-	1819,-
RS 60-II, hot-dip galvanized	B	1737,-	164,-	1901,-
Drum Lifter Type RS	Category	Price	Freight charges	Price including freight charges
RS-I/91, painted	B	1643,-	277,-	1920,-
RS-I/91, hot-dip galvanized	B	1879,-	277,-	2156,-
RS-II/91, painted	B	2848,-	277,-	3125,-
RS-II/91, hot-dip galvanized	B	3207,-	277,-	3484,-
RS-I/M, painted	B	1503,-	164,-	1667,-
RS-I/M, hot-dip galvanized	B	1737,-	277,-	2014,-
RS-II/M, painted	B	2572,-	277,-	2849,-
RS-II/M, hot-dip galvanized	B	2927,-	277,-	3204,-
Drum Lifter Type RS/D 91	Category	Price	Freight charges	Price including freight charges
RS-I/D 91, painted	B	1437,-	277,-	1714,-
RS-I/D 91, hot-dip galvanized	B	1671,-	277,-	1948,-
RS-II/D 91, painted	B	2435,-	277,-	2712,-
RS-II/D 91, hot-dip galvanized	B	2789,-	277,-	3066,-

Prices in EUR, valid EXW DE-46354 Südlohn, DE-38820 Halberstadt, unpacked  
Freight charges valid CPT Romania, islands and oversea territories excluded

# Price List 0424 en-RO

## Forklift Truck Attachments



<b>Swarf Tilting Container Type S3S</b>	<b>Category</b>	<b>Price</b>	<b>Freight charges</b>	<b>Price including freight charges</b>
<b>S3S 300, painted</b>	A	1311,-	277,-	1588,-
Lid, galvanized	A	168,-	18,-	186,-
Castor Set, polyamide, Load capacity 1050 kg / castor set	A	131,-	15,-	146,-
<b>S3S 300, hot-dip galvanized</b>	A	1404,-	406,-	1810,-
Lid, galvanized	A	168,-	18,-	186,-
Castor Set, polyamide, Load capacity 1050 kg / castor set	A	131,-	15,-	146,-
<b>S3S 600, painted</b>	A	1365,-	406,-	1771,-
Lid, galvanized	A	189,-	22,-	211,-
Castor Set, polyamide, Load capacity 1050 kg / castor set	A	131,-	15,-	146,-
<b>S3S 600, hot-dip galvanized</b>	A	1462,-	406,-	1868,-
Lid, galvanized	A	189,-	22,-	211,-
Castor Set, polyamide, Load capacity 1050 kg / castor set	A	131,-	15,-	146,-
<b>Swarf Tilting Container Type S4A</b>	<b>Category</b>	<b>Price</b>	<b>Freight charges</b>	<b>Price including freight charges</b>
<b>S4A 600, painted</b>	A	1228,-	277,-	1505,-
Lid, galvanized	A	189,-	22,-	211,-
<b>S4A 600, hot-dip galvanized</b>	A	1370,-	277,-	1647,-
Lid, galvanized	A	189,-	22,-	211,-
<b>S4A 900, painted</b>	A	1360,-	406,-	1766,-
Lid, galvanized	A	215,-	27,-	242,-
<b>S4A 900, hot-dip galvanized</b>	A	1541,-	406,-	1947,-
Lid, galvanized	A	215,-	27,-	242,-
<b>S4A 1200, painted</b>	A	1446,-	406,-	1852,-
Lid, galvanized	A	215,-	26,-	241,-
<b>S4A 1200, hot-dip galvanized</b>	A	1671,-	406,-	2077,-
Lid, galvanized	A	215,-	26,-	241,-
<b>Container With Drop Away Base Type SB</b>	<b>Category</b>	<b>Price</b>	<b>Freight charges</b>	<b>Price including freight charges</b>
<b>SB 500, painted</b>	B	966,-	277,-	1243,-
Lid, galvanized	B	138,-	16,-	154,-
Castor Set, polyamide, Load capacity 1350 kg / castor set	A	185,-	15,-	200,-
Castor Set, polyamide, Load capacity 2550 kg / castor set	A	366,-	15,-	381,-
<b>SB 500, hot-dip galvanized</b>	B	1258,-	277,-	1535,-
Lid, galvanized	B	138,-	16,-	154,-
Castor Set, polyamide, Load capacity 1350 kg / castor set	A	185,-	15,-	200,-
Castor Set, polyamide, Load capacity 2550 kg / castor set	A	366,-	15,-	381,-
<b>SB 750, painted</b>	B	1057,-	277,-	1334,-
Lid, galvanized	B	138,-	16,-	154,-
Castor Set, polyamide, Load capacity 1350 kg / castor set	A	185,-	15,-	200,-
Castor Set, polyamide, Load capacity 2550 kg / castor set	A	366,-	15,-	381,-
<b>SB 750, hot-dip galvanized</b>	B	1468,-	406,-	1874,-
Lid, galvanized	B	138,-	16,-	154,-
Castor Set, polyamide, Load capacity 1350 kg / castor set	A	185,-	15,-	200,-
Castor Set, polyamide, Load capacity 2550 kg / castor set	A	366,-	15,-	381,-
<b>SB 1000, painted</b>	B	1251,-	406,-	1657,-

Prices in EUR, valid EXW DE-46354 Südlohn, DE-38820 Halberstadt, unpacked  
Freight charges valid CPT Romania, islands and oversea territories excluded

# Price List 0424 en-RO

## Forklift Truck Attachments



Container With Drop Away Base Type SB	Category	Price	Freight charges	Price including freight charges
Lid, galvanized	B	138,-	16,-	154,-
Castor Set, polyamide, Load capacity 1350 kg / castor set	A	185,-	15,-	200,-
Castor Set, polyamide, Load capacity 2550 kg / castor set	A	366,-	15,-	381,-
<b>SB 1000, hot-dip galvanized</b>	B	1740,-	406,-	2146,-
Lid, galvanized	B	138,-	16,-	154,-
Castor Set, polyamide, Load capacity 1350 kg / castor set	A	185,-	15,-	200,-
Castor Set, polyamide, Load capacity 2550 kg / castor set	A	366,-	15,-	381,-
<b>SB 1500, painted</b>	B	1695,-	406,-	2101,-
Lid, galvanized	B	245,-	21,-	266,-
Castor Set, polyamide, Load capacity 1350 kg / castor set	A	185,-	15,-	200,-
Castor Set, polyamide, Load capacity 2550 kg / castor set	A	366,-	15,-	381,-
<b>SB 1500, hot-dip galvanized</b>	B	2360,-	491,-	2851,-
Lid, galvanized	B	245,-	21,-	266,-
Castor Set, polyamide, Load capacity 1350 kg / castor set	A	185,-	15,-	200,-
Castor Set, polyamide, Load capacity 2550 kg / castor set	A	366,-	15,-	381,-
<b>SB 2000, painted</b>	B	1742,-	491,-	2233,-
Lid, galvanized	B	245,-	21,-	266,-
Castor Set, polyamide, Load capacity 1350 kg / castor set	A	185,-	15,-	200,-
Castor Set, polyamide, Load capacity 2550 kg / castor set	A	366,-	15,-	381,-
<b>SB 2000, hot-dip galvanized</b>	B	2493,-	491,-	2984,-
Lid, galvanized	B	245,-	21,-	266,-
Castor Set, polyamide, Load capacity 1350 kg / castor set	A	185,-	15,-	200,-
Castor Set, polyamide, Load capacity 2550 kg / castor set	A	366,-	15,-	381,-
<b>Collecting System Type SBS</b>	<b>Category</b>	<b>Price</b>	<b>Freight charges</b>	<b>Price including freight charges</b>
<b>SBS 500, painted</b>	C	385,-	277,-	662,-
Trolley TW 500, hot-dip galvanized	C	249,-	164,-	413,-
<b>SBS 500, hot-dip galvanized</b>	C	456,-	277,-	733,-
Trolley TW 500, hot-dip galvanized	C	249,-	164,-	413,-
<b>SBS 1000, painted</b>	C	491,-	277,-	768,-
Trolley TW 1000, hot-dip galvanized	C	286,-	164,-	450,-
<b>SBS 1000, hot-dip galvanized</b>	C	604,-	406,-	1010,-
Trolley TW 1000, hot-dip galvanized	C	286,-	164,-	450,-
<b>SBS 2000, painted</b>	C	779,-	456,-	1235,-
Trolley TW 2000, hot-dip galvanized	C	487,-	164,-	651,-
<b>SBS 2000, hot-dip galvanized</b>	C	935,-	456,-	1391,-
Trolley TW 2000, hot-dip galvanized	C	487,-	164,-	651,-
<b>Filling Hopper Type SBT</b>	<b>Category</b>	<b>Price</b>	<b>Freight charges</b>	<b>Price including freight charges</b>
<b>SBT, painted</b>	A	1614,-	406,-	2020,-
<b>Snowdozer Type SCH-F</b>	<b>Category</b>	<b>Price</b>	<b>Freight charges</b>	<b>Price including freight charges</b>
<b>SCH-F 150, painted</b>	A	2157,-	406,-	2563,-
<b>SCH-F 180, painted</b>	A	2422,-	406,-	2828,-
<b>SCH-F 210, painted</b>	A	2722,-	406,-	3128,-

Prices in EUR, valid EXW DE-46354 Südlohn, DE-38820 Halberstadt, unpacked  
Freight charges valid CPT Romania, islands and oversea territories excluded

# Price List 0424 en-RO

## Forklift Truck Attachments



Snowdozer Type SCH-F	Category	Price	Freight charges	Price including freight charges
SCH-F 240, painted	A	2990,-	541,-	3531,-
Snowdozer Type SCH-G	Category	Price	Freight charges	Price including freight charges
SCH-G 150, painted	A	1530,-	277,-	1807,-
SCH-G 180, painted	A	1671,-	277,-	1948,-
SCH-G 210, painted	A	1930,-	406,-	2336,-
SCH-G 240, painted	A	2086,-	456,-	2542,-
Snowdozer Type SCH-L	Category	Price	Freight charges	Price including freight charges
SCH-L 1500, painted	A	1142,-	277,-	1419,-
SCH-L 1500, hot-dip galvanized	A	1265,-	277,-	1542,-
SCH-L 1800, painted	A	1333,-	277,-	1610,-
SCH-L 1800, hot-dip galvanized	A	1480,-	277,-	1757,-
Snow Plough Type SCH-P-G	Category	Price	Freight charges	Price including freight charges
SCH-P-G 150, painted	A	2408,-	406,-	2814,-
SCH-P-G 180, painted	A	2586,-	406,-	2992,-
SCH-P-G 210, painted	A	2772,-	406,-	3178,-
SCH-P-G 240, painted	A	3292,-	456,-	3748,-
Snow Plough Type SCH-P-S	Category	Price	Freight charges	Price including freight charges
SCH-P-S 150, painted	A	2239,-	406,-	2645,-
SCH-P-S 180, painted	A	2392,-	406,-	2798,-
SCH-P-S 210, painted	A	2540,-	406,-	2946,-
SCH-P-S 240, painted	A	3022,-	456,-	3478,-
Snow Plough Type SCH-P-V	Category	Price	Freight charges	Price including freight charges
SCH-P-V 150, painted	A	2590,-	406,-	2996,-
SCH-P-V 180, painted	A	2849,-	406,-	3255,-
SCH-P-V 210, painted	A	3091,-	406,-	3497,-
SCH-P-V 240, painted	A	3614,-	456,-	4070,-
Snowdozer Type SCH-S	Category	Price	Freight charges	Price including freight charges
SCH-S 150, painted	A	1359,-	277,-	1636,-
SCH-S 180, painted	A	1476,-	277,-	1753,-
SCH-S 210, painted	A	1700,-	406,-	2106,-
SCH-S 240, painted	A	1816,-	456,-	2272,-
Snow Plough Type SCH-U-G	Category	Price	Freight charges	Price including freight charges
SCH-U-G 150, painted	A	2408,-	406,-	2814,-
SCH-U-G 180, painted	A	2586,-	406,-	2992,-
SCH-U-G 210, painted	A	2772,-	406,-	3178,-
SCH-U-G 240, painted	A	3292,-	456,-	3748,-

Prices in EUR, valid EXW DE-46354 Südlohn, DE-38820 Halberstadt, unpacked  
Freight charges valid CPT Romania, islands and oversea territories excluded

# Price List 0424 en-RO

## Forklift Truck Attachments



Snow Plough Type SCH-U-S	Category	Price	Freight charges	Price including freight charges
SCH-U-S 150, painted	A	2239,-	406,-	2645,-
SCH-U-S 180, painted	A	2392,-	406,-	2798,-
SCH-U-S 210, painted	A	2540,-	406,-	2946,-
SCH-U-S 240, painted	A	3022,-	456,-	3478,-

Snow Plough Type SCH-U-V	Category	Price	Freight charges	Price including freight charges
SCH-U-V 150, painted	A	2590,-	406,-	2996,-
SCH-U-V 180, painted	A	2849,-	406,-	3255,-
SCH-U-V 210, painted	A	3091,-	406,-	3497,-
SCH-U-V 240, painted	A	3614,-	456,-	4070,-

Snowdozer Type SCH-V	Category	Price	Freight charges	Price including freight charges
SCH-V 150, painted	A	1709,-	277,-	1986,-
SCH-V 180, painted	A	1923,-	277,-	2200,-
SCH-V 210, painted	A	2252,-	406,-	2658,-
SCH-V 240, painted	A	2407,-	456,-	2863,-

Silo Container Type SG	Category	Price	Freight charges	Price including freight charges
SG 375, painted	E	979,-	277,-	1256,-
Lid, galvanized	E	126,-	28,-	154,-
SG 375, hot-dip galvanized	E	1700,-	277,-	1977,-
Lid, galvanized	E	126,-	28,-	154,-
SG 600, painted	E	1168,-	277,-	1445,-
Lid, galvanized	E	126,-	28,-	154,-
SG 600, hot-dip galvanized	E	1885,-	277,-	2162,-
Lid, galvanized	E	126,-	28,-	154,-

Silo Container Type SG-D	Category	Price	Freight charges	Price including freight charges
SG-D 375, painted	E	979,-	164,-	1143,-
Lid, galvanized	E	126,-	28,-	154,-
SG-D 375, hot-dip galvanized	E	1700,-	277,-	1977,-
Lid, galvanized	E	126,-	28,-	154,-
SG-D 600, painted	E	1168,-	277,-	1445,-
Lid, galvanized	E	126,-	28,-	154,-
SG-D 600, hot-dip galvanized	E	1885,-	277,-	2162,-
Lid, galvanized	E	126,-	28,-	154,-

Silo Container Type SGK	Category	Price	Freight charges	Price including freight charges
SGK 50, painted	A	1077,-	277,-	1354,-
SGK 50, hot-dip galvanized	A	1103,-	277,-	1380,-
SGK 75, painted	A	1172,-	277,-	1449,-
SGK 75, hot-dip galvanized	A	1208,-	277,-	1485,-
SGK 100, painted	A	1282,-	277,-	1559,-
SGK 100, hot-dip galvanized	A	1320,-	277,-	1597,-

Prices in EUR, valid EXW DE-46354 Südlohn, DE-38820 Halberstadt, unpacked  
Freight charges valid CPT Romania, islands and oversea territories excluded

# Price List 0424 en-RO

## Forklift Truck Attachments



Silo Container Type SGS	Category	Price	Freight charges	Price including freight charges
SGS 50, painted	A	855,-	164,-	1019,-
SGS 50, hot-dip galvanized	A	871,-	277,-	1148,-
SGS 75, painted	A	948,-	277,-	1225,-
SGS 75, hot-dip galvanized	A	980,-	277,-	1257,-
SGS 100, painted	A	1041,-	277,-	1318,-
SGS 100, hot-dip galvanized	A	1072,-	277,-	1349,-
Swarf Tilting Container Type SGU	Category	Price	Freight charges	Price including freight charges
<b>SGU 30, painted</b>	A	908,-	277,-	1185,-
Lid, galvanized	A	94,-	18,-	112,-
Castor Set, polyamide, Load capacity 1350 kg / castor set	A	185,-	15,-	200,-
Crane lifting eyes for use with a crane	A	102,-	8,-	110,-
Support legs, 100 mm ground leeway	A	67,-	8,-	75,-
<b>SGU 30, hot-dip galvanized</b>	A	1079,-	277,-	1356,-
Lid, galvanized	A	94,-	18,-	112,-
Castor Set, polyamide, Load capacity 1350 kg / castor set	A	185,-	15,-	200,-
Crane lifting eyes for use with a crane	A	102,-	8,-	110,-
Support legs, 100 mm ground leeway	A	67,-	8,-	75,-
<b>SGU 50, painted</b>	A	1123,-	277,-	1400,-
Lid, galvanized	A	94,-	18,-	112,-
Castor Set, polyamide, Load capacity 1350 kg / castor set	A	185,-	15,-	200,-
Adjustable dumping brake	A	448,-	10,-	458,-
Crane lifting eyes for use with a crane	A	102,-	8,-	110,-
Support legs, 100 mm ground leeway	A	67,-	8,-	75,-
<b>SGU 50, hot-dip galvanized</b>	A	1359,-	277,-	1636,-
Lid, galvanized	A	94,-	18,-	112,-
Castor Set, polyamide, Load capacity 1350 kg / castor set	A	185,-	15,-	200,-
Adjustable dumping brake	A	448,-	10,-	458,-
Crane lifting eyes for use with a crane	A	102,-	8,-	110,-
Support legs, 100 mm ground leeway	A	67,-	8,-	75,-
<b>SGU 75, painted</b>	A	1267,-	277,-	1544,-
Lid, galvanized	A	134,-	26,-	160,-
Castor Set, polyamide, Load capacity 1350 kg / castor set	A	185,-	15,-	200,-
Adjustable dumping brake	A	448,-	10,-	458,-
Crane lifting eyes for use with a crane	A	102,-	8,-	110,-
Support legs, 100 mm ground leeway	A	67,-	8,-	75,-
<b>SGU 75, hot-dip galvanized</b>	A	1568,-	277,-	1845,-
Lid, galvanized	A	134,-	26,-	160,-
Castor Set, polyamide, Load capacity 1350 kg / castor set	A	185,-	15,-	200,-
Adjustable dumping brake	A	448,-	10,-	458,-
Crane lifting eyes for use with a crane	A	102,-	8,-	110,-
Support legs, 100 mm ground leeway	A	67,-	8,-	75,-
<b>SGU 100, painted</b>	A	1517,-	406,-	1923,-
Lid, galvanized	A	185,-	27,-	212,-
Castor Set, polyamide, Load capacity 1350 kg / castor set	A	185,-	15,-	200,-
Adjustable dumping brake	A	448,-	10,-	458,-

Prices in EUR, valid EXW DE-46354 Südlohn, DE-38820 Halberstadt, unpacked  
Freight charges valid CPT Romania, islands and oversea territories excluded

# Price List 0424 en-RO

## Forklift Truck Attachments



<b>Swarf Tilting Container Type SGU</b>	<b>Category</b>	<b>Price</b>	<b>Freight charges</b>	<b>Price including freight charges</b>
Crane lifting eyes for use with a crane	A	102,-	8,-	110,-
Support legs, 100 mm ground leeway	A	67,-	8,-	75,-
<b>SGU 100, hot-dip galvanized</b>	A	2048,-	406,-	2454,-
Lid, galvanized	A	185,-	27,-	212,-
Castor Set, polyamide, Load capacity 1350 kg / castor set	A	185,-	15,-	200,-
Adjustable dumping brake	A	448,-	10,-	458,-
Crane lifting eyes for use with a crane	A	102,-	8,-	110,-
Support legs, 100 mm ground leeway	A	67,-	8,-	75,-
<b>SGU 150, painted</b>	A	1704,-	406,-	2110,-
Lid, galvanized	A	185,-	27,-	212,-
Castor Set, polyamide, Load capacity 1350 kg / castor set	A	185,-	15,-	200,-
Adjustable dumping brake	A	448,-	10,-	458,-
Crane lifting eyes for use with a crane	A	102,-	8,-	110,-
Support legs, 100 mm ground leeway	A	67,-	8,-	75,-
<b>SGU 150, hot-dip galvanized</b>	A	2166,-	406,-	2572,-
Lid, galvanized	A	185,-	27,-	212,-
Castor Set, polyamide, Load capacity 1350 kg / castor set	A	185,-	15,-	200,-
Adjustable dumping brake	A	448,-	10,-	458,-
Crane lifting eyes for use with a crane	A	102,-	8,-	110,-
Support legs, 100 mm ground leeway	A	67,-	8,-	75,-
<b>SGU 200, painted</b>	A	2140,-	491,-	2631,-
Lid, galvanized	A	218,-	32,-	250,-
Castor Set, polyamide, Load capacity 1350 kg / castor set	A	185,-	15,-	200,-
Adjustable dumping brake	A	448,-	10,-	458,-
Crane lifting eyes for use with a crane	A	102,-	8,-	110,-
Support legs, 100 mm ground leeway	A	67,-	8,-	75,-
<b>SGU 200, hot-dip galvanized</b>	A	2685,-	491,-	3176,-
Castor Set, polyamide, Load capacity 1350 kg / castor set	A	185,-	15,-	200,-
Lid, galvanized	A	218,-	32,-	250,-
Adjustable dumping brake	A	448,-	10,-	458,-
Crane lifting eyes for use with a crane	A	102,-	8,-	110,-
Support legs, 100 mm ground leeway	A	67,-	8,-	75,-
<b>Swarf Tilting Container Type SGU-RZ</b>	<b>Category</b>	<b>Price</b>	<b>Freight charges</b>	<b>Price including freight charges</b>
<b>SGU-RZ 30, painted</b>	A	939,-	277,-	1216,-
Lid, galvanized	A	91,-	18,-	109,-
<b>SGU-RZ 30, hot-dip galvanized</b>	A	1059,-	277,-	1336,-
Lid, galvanized	A	91,-	18,-	109,-
<b>SGU-RZ 55, painted</b>	A	1161,-	277,-	1438,-
Lid, galvanized	A	91,-	18,-	109,-
<b>SGU-RZ 55, hot-dip galvanized</b>	A	1269,-	277,-	1546,-
Lid, galvanized	A	91,-	18,-	109,-
<b>Gritter Type SH</b>	<b>Category</b>	<b>Price</b>	<b>Freight charges</b>	<b>Price including freight charges</b>
<b>SH, painted</b>	A	3448,-	277,-	3725,-

Prices in EUR, valid EXW DE-46354 Südlohn, DE-38820 Halberstadt, unpacked  
Freight charges valid CPT Romania, islands and oversea territories excluded



# Price List 0424 en-RO

## Forklift Truck Attachments



Gritter Type SH	Category	Price	Freight charges	Price including freight charges
Tarpaulin	A	117,-	10,-	127,-
Forklift Safety Cage Type SIKO	Category	Price	Freight charges	Price including freight charges
<b>SIKO, painted</b>	A	701,-	164,-	865,-
Castor Set, polyamide, Load capacity 1050 kg / castor set	A	131,-	15,-	146,-
Forklift Safety Cage Type SIKO/L	Category	Price	Freight charges	Price including freight charges
<b>SIKO/L, painted</b>	A	848,-	164,-	1012,-
Castor Set, polyamide, Load capacity 1050 kg / castor set	A	131,-	15,-	146,-
Forklift Safety Cage Type SIKO-G	Category	Price	Freight charges	Price including freight charges
<b>SIKO-G, painted</b>	A	634,-	164,-	798,-
Forklift Safety Cage Type SIKO-M	Category	Price	Freight charges	Price including freight charges
<b>SIKO-M, painted</b>	A	511,-	164,-	675,-
Heavy Duty Tilting Container Type SK	Category	Price	Freight charges	Price including freight charges
<b>SK 300, painted</b>	A	1237,-	406,-	1643,-
Lid, galvanized	A	168,-	18,-	186,-
Castor Set, polyamide, Load capacity 2550 kg / castor set	A	366,-	15,-	381,-
Skip Body Welded Oil and Watertight	A	75,-	0,-	75,-
<b>SK 300, hot-dip galvanized</b>	A	1502,-	406,-	1908,-
Lid, galvanized	A	168,-	18,-	186,-
Castor Set, polyamide, Load capacity 2550 kg / castor set	A	366,-	15,-	381,-
Skip Body Welded Oil and Watertight	A	75,-	0,-	75,-
<b>SK 600, painted</b>	A	1339,-	406,-	1745,-
Lid, galvanized	A	189,-	22,-	211,-
Castor Set, polyamide, Load capacity 2550 kg / castor set	A	366,-	15,-	381,-
Skip Body Welded Oil and Watertight	A	75,-	0,-	75,-
<b>SK 600, hot-dip galvanized</b>	A	1665,-	491,-	2156,-
Lid, galvanized	A	189,-	22,-	211,-
Castor Set, polyamide, Load capacity 2550 kg / castor set	A	366,-	15,-	381,-
Skip Body Welded Oil and Watertight	A	75,-	0,-	75,-
<b>SK 900, painted</b>	A	1458,-	491,-	1949,-
Lid, galvanized	A	215,-	27,-	242,-
Castor Set, polyamide, Load capacity 2550 kg / castor set	A	366,-	15,-	381,-
Skip Body Welded Oil and Watertight	A	75,-	0,-	75,-
<b>SK 900, hot-dip galvanized</b>	A	1875,-	491,-	2366,-
Lid, galvanized	A	215,-	27,-	242,-
Castor Set, polyamide, Load capacity 2550 kg / castor set	A	366,-	15,-	381,-
Skip Body Welded Oil and Watertight	A	75,-	0,-	75,-
<b>SK 1200, painted</b>	A	1710,-	491,-	2201,-
Lid, galvanized	A	215,-	26,-	241,-
Castor Set, polyamide, Load capacity 2550 kg / castor set	A	366,-	15,-	381,-
Skip Body Welded Oil and Watertight	A	116,-	0,-	116,-

Prices in EUR, valid EXW DE-46354 Südlohn, DE-38820 Halberstadt, unpacked  
Freight charges valid CPT Romania, islands and oversea territories excluded

# Price List 0424 en-RO

## Forklift Truck Attachments



Heavy Duty Tilting Container Type SK	Category	Price	Freight charges	Price including freight charges
<b>SK 1200, hot-dip galvanized</b>	A	2200,—	718,—	2918,—
Lid, galvanized	A	215,—	26,—	241,—
Castor Set, polyamide, Load capacity 2550 kg / castor set	A	366,—	15,—	381,—
Skip Body Welded Oil and Watertight	A	116,—	0,—	116,—
<b>SK 1700, painted</b>	A	1799,—	718,—	2517,—
Lid, galvanized	A	266,—	33,—	299,—
Castor Set, polyamide, Load capacity 2550 kg / castor set	A	366,—	15,—	381,—
Skip Body Welded Oil and Watertight	A	116,—	0,—	116,—
<b>SK 1700, hot-dip galvanized</b>	A	2407,—	718,—	3125,—
Lid, galvanized	A	266,—	33,—	299,—
Castor Set, polyamide, Load capacity 2550 kg / castor set	A	366,—	15,—	381,—
Skip Body Welded Oil and Watertight	A	116,—	0,—	116,—
<b>SK 2100, painted</b>	A	1963,—	718,—	2681,—
Lid, galvanized	A	347,—	36,—	383,—
Castor Set, polyamide, Load capacity 2550 kg / castor set	A	366,—	15,—	381,—
Skip Body Welded Oil and Watertight	A	116,—	0,—	116,—
<b>SK 2100, hot-dip galvanized</b>	A	2646,—	718,—	3364,—
Lid, galvanized	A	347,—	36,—	383,—
Castor Set, polyamide, Load capacity 2550 kg / castor set	A	366,—	15,—	381,—
Skip Body Welded Oil and Watertight	A	116,—	0,—	116,—
<b>Broom Type SKB</b>	<b>Category</b>	<b>Price</b>	<b>Freight charges</b>	<b>Price including freight charges</b>
<b>SKB 100, painted</b>	A	925,—	164,—	1089,—
<b>SKB 150, painted</b>	A	1156,—	164,—	1320,—
<b>SKB 200, painted</b>	A	1425,—	164,—	1589,—
<b>Broom Type SKB-0</b>	<b>Category</b>	<b>Price</b>	<b>Freight charges</b>	<b>Price including freight charges</b>
<b>SKB-0 100, painted</b>	A	635,—	164,—	799,—
<b>SKB-0 150, painted</b>	A	867,—	164,—	1031,—
<b>SKB-0 200, painted</b>	A	1136,—	164,—	1300,—
<b>Swarf Tipping Skip Type SKK</b>	<b>Category</b>	<b>Price</b>	<b>Freight charges</b>	<b>Price including freight charges</b>
<b>SKK 250, painted</b>	E	515,—	164,—	679,—
Lid, galvanized	E	131,—	15,—	146,—
Castor Set, polyamide, Load capacity 1050 kg / castor set	A	131,—	15,—	146,—
Castor Set, solid rubber, Load capacity 615 kg / castor set	E	99,—	15,—	114,—
<b>SKK 250, hot-dip galvanized</b>	E	563,—	164,—	727,—
Lid, galvanized	E	131,—	15,—	146,—
Castor Set, polyamide, Load capacity 1050 kg / castor set	A	131,—	15,—	146,—
Castor Set, solid rubber, Load capacity 615 kg / castor set	E	99,—	15,—	114,—
<b>SKK 400, painted</b>	E	579,—	164,—	743,—
Lid, galvanized	E	150,—	16,—	166,—
Castor Set, polyamide, Load capacity 1050 kg / castor set	A	131,—	15,—	146,—
Castor Set, solid rubber, Load capacity 615 kg / castor set	E	99,—	15,—	114,—
<b>SKK 400, hot-dip galvanized</b>	E	627,—	164,—	791,—

Prices in EUR, valid EXW DE-46354 Südlohn, DE-38820 Halberstadt, unpacked  
Freight charges valid CPT Romania, islands and oversea territories excluded

# Price List 0424 en-RO

## Forklift Truck Attachments



<b>Swarf Tipping Skip Type SKK</b>	<b>Category</b>	<b>Price</b>	<b>Freight charges</b>	<b>Price including freight charges</b>
Lid, galvanized	E	150,-	16,-	166,-
Castor Set, polyamide, Load capacity 1050 kg / castor set	A	131,-	15,-	146,-
Castor Set, solid rubber, Load capacity 615 kg / castor set	E	99,-	15,-	114,-
<b>SKK 600, painted</b>	E	787,-	277,-	1064,-
Lid, galvanized	E	167,-	20,-	187,-
Castor Set, polyamide, Load capacity 1050 kg / castor set	A	131,-	15,-	146,-
Castor Set, solid rubber, Load capacity 615 kg / castor set	E	99,-	15,-	114,-
<b>SKK 600, hot-dip galvanized</b>	E	883,-	277,-	1160,-
Lid, galvanized	E	167,-	20,-	187,-
Castor Set, polyamide, Load capacity 1050 kg / castor set	A	131,-	15,-	146,-
Castor Set, solid rubber, Load capacity 615 kg / castor set	E	99,-	15,-	114,-
<b>SKK 800, painted</b>	E	842,-	277,-	1119,-
Lid, galvanized	E	174,-	21,-	195,-
Castor Set, polyamide, Load capacity 1050 kg / castor set	A	131,-	15,-	146,-
Castor Set, solid rubber, Load capacity 615 kg / castor set	E	99,-	15,-	114,-
<b>SKK 800, hot-dip galvanized</b>	E	946,-	277,-	1223,-
Lid, galvanized	E	174,-	21,-	195,-
Castor Set, polyamide, Load capacity 1050 kg / castor set	A	131,-	15,-	146,-
Castor Set, solid rubber, Load capacity 615 kg / castor set	E	99,-	15,-	114,-
<b>SKK 1000, painted</b>	E	898,-	277,-	1175,-
Lid, galvanized	E	186,-	22,-	208,-
Castor Set, polyamide, Load capacity 1050 kg / castor set	A	131,-	15,-	146,-
Castor Set, solid rubber, Load capacity 615 kg / castor set	E	99,-	15,-	114,-
<b>SKK 1000, hot-dip galvanized</b>	E	1027,-	277,-	1304,-
Lid, galvanized	E	186,-	22,-	208,-
Castor Set, polyamide, Load capacity 1050 kg / castor set	A	131,-	15,-	146,-
Castor Set, solid rubber, Load capacity 615 kg / castor set	E	99,-	15,-	114,-
<b>Swarf Tilting Container Type SKM</b>	<b>Category</b>	<b>Price</b>	<b>Freight charges</b>	<b>Price including freight charges</b>
<b>SKM 30, painted</b>	A	917,-	277,-	1194,-
Lid, galvanized	A	100,-	18,-	118,-
<b>SKM 30, hot-dip galvanized</b>	A	1109,-	277,-	1386,-
Lid, galvanized	A	100,-	18,-	118,-
<b>SKM 50, painted</b>	A	1178,-	277,-	1455,-
Lid, galvanized	A	152,-	28,-	180,-
<b>SKM 50, hot-dip galvanized</b>	A	1428,-	277,-	1705,-
Lid, galvanized	A	152,-	28,-	180,-
<b>SKM 75, painted</b>	A	1419,-	277,-	1696,-
Lid, galvanized	A	169,-	33,-	202,-
<b>SKM 75, hot-dip galvanized</b>	A	1729,-	406,-	2135,-
Lid, galvanized	A	169,-	33,-	202,-
<b>Swarf Tipping Skip Type SKN</b>	<b>Category</b>	<b>Price</b>	<b>Freight charges</b>	<b>Price including freight charges</b>
<b>SKN 250, painted</b>	E	515,-	164,-	679,-
Lid, galvanized	E	131,-	15,-	146,-

Prices in EUR, valid EXW DE-46354 Südlohn, DE-38820 Halberstadt, unpacked  
Freight charges valid CPT Romania, islands and oversea territories excluded

# Price List 0424 en-RO

## Forklift Truck Attachments



<b>Swarf Tipping Skip Type SKN</b>	<b>Category</b>	<b>Price</b>	<b>Freight charges</b>	<b>Price including freight charges</b>
Castor Set, polyamide, Load capacity 1050 kg / castor set	A	131,-	15,-	146,-
Castor Set, solid rubber, Load capacity 615 kg / castor set	E	99,-	15,-	114,-
<b>SKN 250, hot-dip galvanized</b>	E	563,-	164,-	727,-
Lid, galvanized	E	131,-	15,-	146,-
Castor Set, polyamide, Load capacity 1050 kg / castor set	A	131,-	15,-	146,-
Castor Set, solid rubber, Load capacity 615 kg / castor set	E	99,-	15,-	114,-
<b>SKN 400, painted</b>	E	579,-	164,-	743,-
Lid, galvanized	E	150,-	16,-	166,-
Castor Set, polyamide, Load capacity 1050 kg / castor set	A	131,-	15,-	146,-
Castor Set, solid rubber, Load capacity 615 kg / castor set	E	99,-	15,-	114,-
<b>SKN 400, hot-dip galvanized</b>	E	627,-	164,-	791,-
Lid, galvanized	E	150,-	16,-	166,-
Castor Set, polyamide, Load capacity 1050 kg / castor set	A	131,-	15,-	146,-
Castor Set, solid rubber, Load capacity 615 kg / castor set	E	99,-	15,-	114,-

<b>Swarf Tipping Skip Type SKS</b>	<b>Category</b>	<b>Price</b>	<b>Freight charges</b>	<b>Price including freight charges</b>
<b>SKS 400, painted</b>	E	914,-	277,-	1191,-
<b>SKS 550, painted</b>	E	978,-	277,-	1255,-
<b>SKS 700, painted</b>	E	1035,-	277,-	1312,-

<b>Swarf Barrow Tipper Type SKW-ET</b>	<b>Category</b>	<b>Price</b>	<b>Freight charges</b>	<b>Price including freight charges</b>
<b>SKW-ET 250, painted</b>	E	616,-	164,-	780,-
Lid, galvanized	E	131,-	15,-	146,-
<b>SKW-ET 250, hot-dip galvanized</b>	E	942,-	164,-	1106,-
Lid, galvanized	E	131,-	15,-	146,-
<b>SKW-ET 400, painted</b>	E	673,-	164,-	837,-
Lid, galvanized	E	150,-	16,-	166,-
<b>SKW-ET 400, hot-dip galvanized</b>	E	1034,-	164,-	1198,-
Lid, galvanized	E	150,-	16,-	166,-
<b>SKW-ET 600, painted</b>	E	822,-	277,-	1099,-
Lid, galvanized	E	167,-	20,-	187,-
<b>SKW-ET 600, hot-dip galvanized</b>	E	1191,-	277,-	1468,-
Lid, galvanized	E	167,-	20,-	187,-
<b>SKW-ET 1000, painted</b>	E	997,-	277,-	1274,-
Lid, galvanized	E	186,-	22,-	208,-
<b>SKW-ET 1000, hot-dip galvanized</b>	E	1587,-	277,-	1864,-
Lid, galvanized	E	186,-	22,-	208,-

<b>Mini Swarf Tilting Container Type SMGU</b>	<b>Category</b>	<b>Price</b>	<b>Freight charges</b>	<b>Price including freight charges</b>
<b>SMGU 230, painted</b>	A	665,-	164,-	829,-
Lid, galvanized	A	126,-	18,-	144,-
Castor Set, polyamide, Load capacity 1050 kg / castor set	A	150,-	15,-	165,-
<b>SMGU 230, hot-dip galvanized</b>	A	748,-	277,-	1025,-
Lid, galvanized	A	126,-	18,-	144,-
Castor Set, polyamide, Load capacity 1050 kg / castor set	A	150,-	15,-	165,-

Prices in EUR, valid EXW DE-46354 Südlohn, DE-38820 Halberstadt, unpacked  
Freight charges valid CPT Romania, islands and oversea territories excluded

# Price List 0424 en-RO

## Forklift Truck Attachments



Mini Swarf Tilting Container Type SMGU	Category	Price	Freight charges	Price including freight charges
<b>SMGU 270, painted</b>	A	718,-	277,-	995,-
Lid, galvanized	A	126,-	18,-	144,-
Castor Set, polyamide, Load capacity 1050 kg / castor set	A	150,-	15,-	165,-
<b>SMGU 270, hot-dip galvanized</b>	A	821,-	277,-	1098,-
Lid, galvanized	A	126,-	18,-	144,-
Castor Set, polyamide, Load capacity 1050 kg / castor set	A	150,-	15,-	165,-
<b>SMGU 460, painted</b>	A	903,-	277,-	1180,-
Lid, galvanized	A	163,-	22,-	185,-
Castor Set, polyamide, Load capacity 1050 kg / castor set	A	150,-	15,-	165,-
<b>SMGU 460, hot-dip galvanized</b>	A	1051,-	277,-	1328,-
Lid, galvanized	A	163,-	22,-	185,-
Castor Set, polyamide, Load capacity 1050 kg / castor set	A	150,-	15,-	165,-
<b>SMGU 610, painted</b>	A	1005,-	277,-	1282,-
Lid, galvanized	A	174,-	26,-	200,-
Castor Set, polyamide, Load capacity 1050 kg / castor set	A	150,-	15,-	165,-
<b>SMGU 610, hot-dip galvanized</b>	A	1168,-	277,-	1445,-
Lid, galvanized	A	174,-	26,-	200,-
Castor Set, polyamide, Load capacity 1050 kg / castor set	A	150,-	15,-	165,-

Silo Container Type SR	Category	Price	Freight charges	Price including freight charges
<b>SR 375, painted</b>	E	815,-	164,-	979,-
Lid, galvanized	E	126,-	33,-	159,-
<b>SR 375, hot-dip galvanized</b>	E	1530,-	164,-	1694,-
Lid, galvanized	E	126,-	33,-	159,-
<b>SR 600, painted</b>	E	1012,-	277,-	1289,-
Lid, galvanized	E	126,-	33,-	159,-
<b>SR 600, hot-dip galvanized</b>	E	1740,-	277,-	2017,-
Lid, galvanized	E	126,-	33,-	159,-

Silo Container Type SR-D	Category	Price	Freight charges	Price including freight charges
<b>SR-D 375, painted</b>	E	815,-	164,-	979,-
Lid, galvanized	E	126,-	33,-	159,-
<b>SR-D 375, hot-dip galvanized</b>	E	1530,-	164,-	1694,-
Lid, galvanized	E	126,-	33,-	159,-
<b>SR-D 600, painted</b>	E	1012,-	277,-	1289,-
Lid, galvanized	E	126,-	33,-	159,-
<b>SR-D 600, hot-dip galvanized</b>	E	1740,-	277,-	2017,-
Lid, galvanized	E	126,-	33,-	159,-

Silo Container Type SRE	Category	Price	Freight charges	Price including freight charges
<b>SRE 375, painted</b>	E	929,-	277,-	1206,-
Lid, galvanized	E	126,-	33,-	159,-
<b>SRE 375, hot-dip galvanized</b>	E	1664,-	277,-	1941,-
Lid, galvanized	E	126,-	33,-	159,-
<b>SRE 600, painted</b>	E	1131,-	277,-	1408,-

Prices in EUR, valid EXW DE-46354 Südlohn, DE-38820 Halberstadt, unpacked  
Freight charges valid CPT Romania, islands and oversea territories excluded

# Price List 0424 en-RO

## Forklift Truck Attachments



Silo Container Type SRE	Category	Price	Freight charges	Price including freight charges
Lid, galvanized	E	126,-	33,-	159,-
<b>SRE 600, hot-dip galvanized</b>	E	1794,-	277,-	2071,-
Lid, galvanized	E	126,-	33,-	159,-
Silo Container Type SRE-D	Category	Price	Freight charges	Price including freight charges
<b>SRE-D 375, painted</b>	E	929,-	164,-	1093,-
Lid, galvanized	E	126,-	33,-	159,-
<b>SRE-D 375, hot-dip galvanized</b>	E	1664,-	277,-	1941,-
Lid, galvanized	E	126,-	33,-	159,-
<b>SRE-D 600, painted</b>	E	1131,-	277,-	1408,-
Lid, galvanized	E	126,-	33,-	159,-
<b>SRE-D 600, hot-dip galvanized</b>	E	1794,-	277,-	2071,-
Lid, galvanized	E	126,-	33,-	159,-
Forklift Tender System Type STS	Category	Price	Freight charges	Price including freight charges
<b>STS 2,5, painted</b>	C	3726,-	on request	on request
<b>STS 5,0, painted</b>	C	4392,-	on request	on request
Spreader Type STW	Category	Price	Freight charges	Price including freight charges
<b>STW 100, painted</b>	A	1174,-	164,-	1338,-
Tarpaulin	A	112,-	10,-	122,-
<b>STW 260, painted</b>	A	2074,-	164,-	2238,-
Tarpaulin	A	117,-	10,-	127,-
Traverse for Big Bags Type TBB	Category	Price	Freight charges	Price including freight charges
<b>TBB, painted</b>	A	870,-	164,-	1034,-
Traverse For Big Bags Type TBB-E	Category	Price	Freight charges	Price including freight charges
<b>TBB-E, painted</b>	A	823,-	164,-	987,-
Traverse For Big Bags Type TBB-W	Category	Price	Freight charges	Price including freight charges
<b>TBB-W, painted</b>	A	1056,-	164,-	1220,-
Mini Lifting Beam Type TM	Category	Price	Freight charges	Price including freight charges
<b>TM 200-500, hot-dip galvanized</b>	F	385,-	118,-	503,-
<b>TM 400-800, hot-dip galvanized</b>	F	414,-	118,-	532,-
<b>TM 800-1200, hot-dip galvanized</b>	F	546,-	118,-	664,-
Tilting Container Type TRIO	Category	Price	Freight charges	Price including freight charges
<b>TRIO, painted</b>	A	2254,-	491,-	2745,-
Lid, galvanized	A	207,-	26,-	233,-
Castor Set, polyamide, Load capacity 1350 kg / castor set	A	185,-	15,-	200,-
Set of 5 self-adhesive stickers with symbols for: glass, paper, plastic, metal, residual waste	A	28,-	on request	on request

Prices in EUR, valid EXW DE-46354 Südlohn, DE-38820 Halberstadt, unpacked  
Freight charges valid CPT Romania, islands and oversea territories excluded

# Price List 0424 en-RO

## Forklift Truck Attachments



Universal Container Type UC	Category	Price	Freight charges	Price including freight charges
<b>UC 500, painted</b>	A	652,-	164,-	816,-
Lid, galvanized	A	162,-	16,-	178,-
Castor Set, polyamide, Load capacity 1350 kg / castor set	A	185,-	15,-	200,-
Pick-up Profile on Type UC for Traverse Type UCT	A	102,-	0,-	102,-
<b>UC 500, hot-dip galvanized</b>	A	744,-	277,-	1021,-
Lid, galvanized	A	162,-	16,-	178,-
Castor Set, polyamide, Load capacity 1350 kg / castor set	A	185,-	15,-	200,-
Pick-up Profile on Type UC for Traverse Type UCT	A	102,-	0,-	102,-
<b>UC 750, painted</b>	A	709,-	277,-	986,-
Lid, galvanized	A	162,-	16,-	178,-
Castor Set, polyamide, Load capacity 1350 kg / castor set	A	185,-	15,-	200,-
Pick-up Profile on Type UC for Traverse Type UCT	A	102,-	0,-	102,-
<b>UC 750, hot-dip galvanized</b>	A	824,-	277,-	1101,-
Lid, galvanized	A	162,-	16,-	178,-
Castor Set, polyamide, Load capacity 1350 kg / castor set	A	185,-	15,-	200,-
Pick-up Profile on Type UC for Traverse Type UCT	A	102,-	0,-	102,-
<b>UC 1000, painted</b>	A	744,-	277,-	1021,-
Lid, galvanized	A	162,-	16,-	178,-
Castor Set, polyamide, Load capacity 1350 kg / castor set	A	185,-	15,-	200,-
Pick-up Profile on Type UC for Traverse Type UCT	A	102,-	0,-	102,-
<b>UC 1000, hot-dip galvanized</b>	A	863,-	277,-	1140,-
Lid, galvanized	A	162,-	16,-	178,-
Castor Set, polyamide, Load capacity 1350 kg / castor set	A	185,-	15,-	200,-
Pick-up Profile on Type UC for Traverse Type UCT	A	102,-	0,-	102,-
<b>Hydraulic Traverse Type UCT</b>	<b>Category</b>	<b>Price</b>	<b>Freight charges</b>	<b>Price including freight charges</b>
<b>UCT, painted</b>	A	2644,-	406,-	3050,-
<b>Tilting Container Type VD</b>	<b>Category</b>	<b>Price</b>	<b>Freight charges</b>	<b>Price including freight charges</b>
<b>VD 500, painted</b>	A	767,-	277,-	1044,-
Lid, galvanized	A	139,-	18,-	157,-
Castor Set, polyamide, Load capacity 1350 kg / castor set	A	185,-	15,-	200,-
Skip Body Welded Oil and Watertight	A	75,-	0,-	75,-
<b>VD 500, hot-dip galvanized</b>	A	998,-	277,-	1275,-
Lid, galvanized	A	139,-	18,-	157,-
Castor Set, polyamide, Load capacity 1350 kg / castor set	A	185,-	15,-	200,-
Skip Body Welded Oil and Watertight	A	75,-	0,-	75,-
<b>VD 650, painted</b>	A	838,-	277,-	1115,-
Lid, galvanized	A	139,-	18,-	157,-
Castor Set, polyamide, Load capacity 1350 kg / castor set	A	185,-	15,-	200,-
Skip Body Welded Oil and Watertight	A	75,-	0,-	75,-
<b>VD 650, hot-dip galvanized</b>	A	1091,-	277,-	1368,-
Lid, galvanized	A	139,-	18,-	157,-
Castor Set, polyamide, Load capacity 1350 kg / castor set	A	185,-	15,-	200,-
Skip Body Welded Oil and Watertight	A	75,-	0,-	75,-

Prices in EUR, valid EXW DE-46354 Südlohn, DE-38820 Halberstadt, unpacked  
Freight charges valid CPT Romania, islands and oversea territories excluded

# Price List 0424 en-RO

## Forklift Truck Attachments



Tilting Container Type VD	Category	Price	Freight charges	Price including freight charges
<b>VD 800, painted</b>	A	957,-	277,-	1234,-
Lid, galvanized	A	168,-	22,-	190,-
Castor Set, polyamide, Load capacity 1350 kg / castor set	A	185,-	15,-	200,-
Skip Body Welded Oil and Watertight	A	75,-	0,-	75,-
<b>VD 800, hot-dip galvanized</b>	A	1300,-	277,-	1577,-
Lid, galvanized	A	168,-	22,-	190,-
Castor Set, polyamide, Load capacity 1350 kg / castor set	A	185,-	15,-	200,-
Skip Body Welded Oil and Watertight	A	75,-	0,-	75,-
<b>VD 1000, painted</b>	A	1005,-	277,-	1282,-
Lid, galvanized	A	168,-	22,-	190,-
Castor Set, polyamide, Load capacity 1350 kg / castor set	A	185,-	15,-	200,-
Skip Body Welded Oil and Watertight	A	116,-	0,-	116,-
<b>VD 1000, hot-dip galvanized</b>	A	1419,-	277,-	1696,-
Lid, galvanized	A	168,-	22,-	190,-
Castor Set, polyamide, Load capacity 1350 kg / castor set	A	185,-	15,-	200,-
Skip Body Welded Oil and Watertight	A	116,-	0,-	116,-

Tilting Container Type VG	Category	Price	Freight charges	Price including freight charges
<b>VG 550, painted</b>	A	784,-	277,-	1061,-
Lid, galvanized	A	139,-	18,-	157,-
Castor Set, polyamide, Load capacity 1350 kg / castor set	A	185,-	15,-	200,-
Skip Body Welded Oil and Watertight	A	75,-	0,-	75,-
<b>VG 550, hot-dip galvanized</b>	A	1022,-	277,-	1299,-
Lid, galvanized	A	139,-	18,-	157,-
Castor Set, polyamide, Load capacity 1350 kg / castor set	A	185,-	15,-	200,-
Skip Body Welded Oil and Watertight	A	75,-	0,-	75,-
<b>VG 700, painted</b>	A	929,-	277,-	1206,-
Lid, galvanized	A	139,-	18,-	157,-
Castor Set, polyamide, Load capacity 1350 kg / castor set	A	185,-	15,-	200,-
Skip Body Welded Oil and Watertight	A	75,-	0,-	75,-
<b>VG 700, hot-dip galvanized</b>	A	1209,-	277,-	1486,-
Lid, galvanized	A	139,-	18,-	157,-
Castor Set, polyamide, Load capacity 1350 kg / castor set	A	185,-	15,-	200,-
Skip Body Welded Oil and Watertight	A	75,-	0,-	75,-
<b>VG 900, painted</b>	A	1024,-	277,-	1301,-
Lid, galvanized	A	168,-	22,-	190,-
Castor Set, polyamide, Load capacity 1350 kg / castor set	A	185,-	15,-	200,-
Skip Body Welded Oil and Watertight	A	75,-	0,-	75,-
<b>VG 900, hot-dip galvanized</b>	A	1451,-	277,-	1728,-
Lid, galvanized	A	168,-	22,-	190,-
Castor Set, polyamide, Load capacity 1350 kg / castor set	A	185,-	15,-	200,-
Skip Body Welded Oil and Watertight	A	75,-	0,-	75,-
<b>VG 1100, painted</b>	A	1111,-	277,-	1388,-
Lid, galvanized	A	168,-	22,-	190,-
Castor Set, polyamide, Load capacity 1350 kg / castor set	A	185,-	15,-	200,-
Skip Body Welded Oil and Watertight	A	116,-	0,-	116,-

Prices in EUR, valid EXW DE-46354 Südlohn, DE-38820 Halberstadt, unpacked  
Freight charges valid CPT Romania, islands and oversea territories excluded



# Price List 0424 en-RO

## Forklift Truck Attachments



Tilting Container Type VG	Category	Price	Freight charges	Price including freight charges
<b>VG 1100, hot-dip galvanized</b>	A	1508,-	277,-	1785,-
Lid, galvanized	A	168,-	22,-	190,-
Castor Set, polyamide, Load capacity 1350 kg / castor set	A	185,-	15,-	200,-
Skip Body Welded Oil and Watertight	A	116,-	0,-	116,-

Prices in EUR, valid EXW DE-46354 Südlohn, DE-38820 Halberstadt, unpacked  
 Freight charges valid CPT Romania, islands and oversea territories excluded

## Price List 0424 en-RO

### Workspace Material Handling

Battery Charging Station Type BL	Category	Price	Freight charges	Price including freight charges
<b>BL 1, painted</b>	A	1373,-	164,-	1537,-
Fire Extinguisher	A	197,-	14,-	211,-
Fixture for water receptacle	A	61,-	13,-	74,-
<b>BL 2, painted</b>	A	1737,-	164,-	1901,-
Fire Extinguisher	A	197,-	14,-	211,-
Fixture for water receptacle	A	61,-	13,-	74,-
<b>BL 3, painted</b>	A	1737,-	164,-	1901,-
Fire Extinguisher	A	197,-	14,-	211,-
Fixture for water receptacle	A	61,-	13,-	74,-
Drum Jack Roller Type FHR	Category	Price	Freight charges	Price including freight charges
<b>FHR 600 F, painted</b>	B	3174,-	406,-	3580,-
<b>FHR 600 F, hot-dip galvanized</b>	B	3517,-	406,-	3923,-
<b>FHR 600 G, painted</b>	B	2528,-	277,-	2805,-
<b>FHR 600 G, hot-dip galvanized</b>	B	2790,-	277,-	3067,-
<b>FHR 600 K, painted</b>	B	2528,-	277,-	2805,-
<b>FHR 600 K, hot-dip galvanized</b>	B	2790,-	277,-	3067,-
Drum Trolley Type FP-L	Category	Price	Freight charges	Price including freight charges
<b>FP-L, galvanized</b>	C	602,-	164,-	766,-
Drum Trolley Type FP-V	Category	Price	Freight charges	Price including freight charges
<b>FP-V, galvanized</b>	C	584,-	164,-	748,-
Drum Dolly Type FRW	Category	Price	Freight charges	Price including freight charges
<b>FRW-I, hot-dip galvanized</b>	A	112,-	118,-	230,-
<b>FRW-II, hot-dip galvanized</b>	A	148,-	118,-	266,-
<b>FRW-III, hot-dip galvanized</b>	A	200,-	164,-	364,-
Dolly Type GRW	Category	Price	Freight charges	Price including freight charges
<b>GRW-I, hot-dip galvanized</b>	F	121,-	118,-	239,-
Handle, galvanized	F	53,-	10,-	63,-
<b>GRW-II, hot-dip galvanized</b>	F	138,-	118,-	256,-
Handle, galvanized	F	53,-	10,-	63,-
<b>GRW-III, hot-dip galvanized</b>	F	172,-	164,-	336,-
Handle, galvanized	F	53,-	10,-	63,-
Gas Cylinder Wall Bracket Type GWH	Category	Price	Freight charges	Price including freight charges
<b>GWH 140-I, hot-dip galvanized</b>	F	25,-	118,-	143,-
<b>GWH 140-II, hot-dip galvanized</b>	F	38,-	118,-	156,-

Prices in EUR, valid EXW DE-46354 Südlohn, DE-38820 Halberstadt, unpacked  
Freight charges valid CPT Romania, islands and oversea territories excluded

# Price List 0424 en-RO

## Workspace Material Handling



Gas Cylinder Wall Bracket Type GWH	Category	Price	Freight charges	Price including freight charges
GWH 140-III, hot-dip galvanized	F	57,-	118,-	175,-
GWH 230-I, hot-dip galvanized	F	27,-	118,-	145,-
GWH 230-II, hot-dip galvanized	F	41,-	118,-	159,-
GWH 230-III, hot-dip galvanized	F	62,-	118,-	180,-
GWH 320-I, hot-dip galvanized	F	28,-	118,-	146,-
GWH 320-II, hot-dip galvanized	F	46,-	118,-	164,-
GWH 320-III, hot-dip galvanized	F	69,-	118,-	187,-
Fork Lifter Type GZH-A	Category	Price	Freight charges	Price including freight charges
GZH-A, painted	F	110,-	118,-	228,-
Fork Lifter Type GZH-B	Category	Price	Freight charges	Price including freight charges
GZH-B, painted	F	110,-	118,-	228,-
Fork Pallet Type GZP	Category	Price	Freight charges	Price including freight charges
GZP 4, hot-dip galvanized	A	155,-	164,-	319,-
GZP 8, hot-dip galvanized	A	194,-	164,-	358,-
IBC Residue Drainer Type IR	Category	Price	Freight charges	Price including freight charges
IR-1, hot-dip galvanized	A	575,-	164,-	739,-
IR-2, hot-dip galvanized	A	686,-	164,-	850,-
Tilting Canister Stand Type KAH	Category	Price	Freight charges	Price including freight charges
KAH-5, galvanized	A	92,-	118,-	210,-
KAH-25, galvanized	A	105,-	118,-	223,-
KAH-60, galvanized	A	135,-	118,-	253,-
Sheet Metal Storage Units With Trays Type KBR	Category	Price	Freight charges	Price including freight charges
KBR 1, painted	A	5782,-	1138,-	6920,-
KBR 2, painted	A	5997,-	on request	on request
KBR 3, painted	A	6441,-	on request	on request
Liftomat Type L/E	Category	Price	Freight charges	Price including freight charges
L/E 1300, painted	B	4742,-	406,-	5148,-
L/E 1300, hot-dip galvanized	B	5389,-	406,-	5795,-
Liftomat Type L/M	Category	Price	Freight charges	Price including freight charges
L/M 600, painted	B	3432,-	277,-	3709,-
L/M 600, hot-dip galvanized	B	3888,-	277,-	4165,-
L/M 1300, painted	B	3851,-	406,-	4257,-
L/M 1300, hot-dip galvanized	B	4414,-	406,-	4820,-
Security Cage for Storage Type LBM	Category	Price	Freight charges	Price including freight charges
LBM 1500, hot-dip galvanized	A	1934,-	406,-	2340,-

Prices in EUR, valid EXW DE-46354 Südlohn, DE-38820 Halberstadt, unpacked  
Freight charges valid CPT Romania, islands and oversea territories excluded

# Price List 0424 en-RO

## Workspace Material Handling



Security Cage for Storage Type LBM	Category	Price	Freight charges	Price including freight charges
LBM 3000, hot-dip galvanized	A	2654,-	718,-	3372,-
LBM 4500, hot-dip galvanized	A	3373,-	718,-	4091,-
LBM 6000, hot-dip galvanized	A	4088,-	922,-	5010,-
Wheelie Bin Tipping Station Type MKS	Category	Price	Freight charges	Price including freight charges
MKS-12V, painted	A	3618,-	277,-	3895,-
External Charger for 12 V electro-hydraulic constructions	A	194,-	15,-	209,-
MKS-230V, painted	A	3618,-	277,-	3895,-
Wheelie Bin Tipping Station Type MKS-F	Category	Price	Freight charges	Price including freight charges
MKS-F, painted	A	2375,-	277,-	2652,-
Wheelie Bin Tipping Station Type MKS-H	Category	Price	Freight charges	Price including freight charges
MKS-H, painted	A	2375,-	277,-	2652,-
Stillage Transport Cage Type MTP	Category	Price	Freight charges	Price including freight charges
MTP 2000, hot-dip galvanized	A	2121,-	406,-	2527,-
Tension belt	A	46,-	8,-	54,-
MTP 3000, hot-dip galvanized	A	2680,-	491,-	3171,-
Tension belt	A	46,-	8,-	54,-
Two-Wheeled Pallet Picker Type PZ	Category	Price	Freight charges	Price including freight charges
PZ, hot-dip galvanized	F	440,-	118,-	558,-
Tyre Fitting Equipment Type RM	Category	Price	Freight charges	Price including freight charges
RM, painted	F	442,-	118,-	560,-
Surround for Waste Bins Type SECOMAT	Category	Price	Freight charges	Price including freight charges
S 120-D, powder coated	B	626,-	164,-	790,-
S 120-K, powder coated	B	702,-	164,-	866,-
S 240-D, powder coated	B	719,-	164,-	883,-
S 240-K, powder coated	B	787,-	164,-	951,-
S1100, powder-coated	B	727,-	164,-	891,-
S1100-W, powder-coated	B	956,-	277,-	1233,-
S1100-WT, powder-coated	B	1200,-	277,-	1477,-
S1100-WTB, powder-coated	B	1295,-	277,-	1572,-
S4USE, powder coated	C	2138,-	406,-	2544,-
Gas Cylinder Pallet Type SFP	Category	Price	Freight charges	Price including freight charges
SFP 4, hot-dip galvanized	C	334,-	164,-	498,-
SFP 8, hot-dip galvanized	C	444,-	164,-	608,-
Loading Support Type VS	Category	Price	Freight charges	Price including freight charges
VS, painted	C	739,-	277,-	1016,-

Prices in EUR, valid EXW DE-46354 Südlohn, DE-38820 Halberstadt, unpacked  
Freight charges valid CPT Romania, islands and oversea territories excluded

## Price List 0424 en-R0 Environment / Storage

Sump Trays Type SERIES 2000	Category	Price	Freight charges	Price including freight charges
<b>2000, painted</b>	B	241,-	164,-	405,-
<b>2001, hot-dip galvanized</b>	B	278,-	164,-	442,-
<b>2002, painted</b>	B	275,-	164,-	439,-
<b>2003, hot-dip galvanized</b>	B	311,-	164,-	475,-
<b>2008, painted</b>	B	241,-	164,-	405,-
<b>2009, hot-dip galvanized</b>	B	289,-	164,-	453,-
<b>2010, painted</b>	B	290,-	164,-	454,-
Drum Support FA 60-1, hot-dip galvanized	B	105,-	15,-	120,-
Drum Support FA 60-2, hot-dip galvanized	B	114,-	18,-	132,-
Drum Support FA 60-3, hot-dip galvanized	B	133,-	21,-	154,-
Drum Support FA 200-1, hot-dip galvanized	B	114,-	15,-	129,-
Can Shelf Type GR-A, galvanized	B	133,-	118,-	251,-
Can Shelf Type GR-B, galvanized	B	133,-	118,-	251,-
Can Shelf Type GR-C, galvanized	B	133,-	118,-	251,-
<b>2011, hot-dip galvanized</b>	B	339,-	164,-	503,-
Drum Support FA 60-1, hot-dip galvanized	B	105,-	15,-	120,-
Drum Support FA 60-2, hot-dip galvanized	B	114,-	18,-	132,-
Drum Support FA 60-3, hot-dip galvanized	B	133,-	21,-	154,-
Drum Support FA 200-1, hot-dip galvanized	B	114,-	15,-	129,-
Can Shelf Type GR-A, galvanized	B	133,-	118,-	251,-
Can Shelf Type GR-B, galvanized	B	133,-	118,-	251,-
Can Shelf Type GR-C, galvanized	B	133,-	118,-	251,-
<b>2016, painted</b>	B	253,-	164,-	417,-
<b>2017, hot-dip galvanized</b>	B	303,-	164,-	467,-
<b>2018, painted</b>	B	304,-	164,-	468,-
Drum Support FA 60-1, hot-dip galvanized	B	105,-	15,-	120,-
Drum Support FA 60-2, hot-dip galvanized	B	114,-	18,-	132,-
Drum Support FA 60-3, hot-dip galvanized	B	133,-	21,-	154,-
Drum Support FA 200-1, hot-dip galvanized	B	114,-	15,-	129,-
Can Shelf Type GR-A, galvanized	B	133,-	118,-	251,-
Can Shelf Type GR-B, galvanized	B	133,-	118,-	251,-
Can Shelf Type GR-C, galvanized	B	133,-	118,-	251,-
<b>2019, hot-dip galvanized</b>	B	352,-	164,-	516,-
Drum Support FA 60-1, hot-dip galvanized	B	105,-	15,-	120,-
Drum Support FA 60-2, hot-dip galvanized	B	114,-	18,-	132,-
Drum Support FA 60-3, hot-dip galvanized	B	133,-	21,-	154,-
Drum Support FA 200-1, hot-dip galvanized	B	114,-	15,-	129,-
Can Shelf Type GR-A, galvanized	B	133,-	118,-	251,-
Can Shelf Type GR-B, galvanized	B	133,-	118,-	251,-
Can Shelf Type GR-C, galvanized	B	133,-	118,-	251,-
<b>2026, painted</b>	B	253,-	164,-	417,-
<b>2027, hot-dip galvanized</b>	B	299,-	164,-	463,-

Prices in EUR, valid EXW DE-46354 Südlohn, DE-38820 Halberstadt, unpacked  
Freight charges valid CPT Romania, islands and oversea territories excluded

# Price List 0424 en-R0

## Environment / Storage



Sump Trays Type SERIES 2000	Category	Price	Freight charges	Price including freight charges
<b>2028, painted</b>	B	353,-	164,-	517,-
Drum Support FA 60-1, hot-dip galvanized	B	105,-	15,-	120,-
Drum Support FA 60-2, hot-dip galvanized	B	114,-	18,-	132,-
Drum Support FA 60-3, hot-dip galvanized	B	133,-	21,-	154,-
Drum Support FA 200-1, hot-dip galvanized	B	114,-	15,-	129,-
Drum Support FA 200-2, hot-dip galvanized	B	133,-	22,-	155,-
Can Shelf Type GR-A, galvanized	B	133,-	118,-	251,-
Can Shelf Type GR-B, galvanized	B	133,-	118,-	251,-
Can Shelf Type GR-C, galvanized	B	133,-	118,-	251,-
<b>2029, hot-dip galvanized</b>	B	398,-	164,-	562,-
Drum Support FA 60-1, hot-dip galvanized	B	105,-	15,-	120,-
Drum Support FA 60-2, hot-dip galvanized	B	114,-	18,-	132,-
Drum Support FA 60-3, hot-dip galvanized	B	133,-	21,-	154,-
Drum Support FA 200-1, hot-dip galvanized	B	114,-	15,-	129,-
Drum Support FA 200-2, hot-dip galvanized	B	133,-	22,-	155,-
Can Shelf Type GR-A, galvanized	B	133,-	118,-	251,-
Can Shelf Type GR-B, galvanized	B	133,-	118,-	251,-
Can Shelf Type GR-C, galvanized	B	133,-	118,-	251,-
<b>2030, painted</b>	B	265,-	164,-	429,-
<b>2031, hot-dip galvanized</b>	B	310,-	164,-	474,-
<b>2032, painted</b>	B	365,-	164,-	529,-
Drum Support FA 60-1, hot-dip galvanized	B	105,-	15,-	120,-
Drum Support FA 60-2, hot-dip galvanized	B	114,-	18,-	132,-
Drum Support FA 60-3, hot-dip galvanized	B	133,-	21,-	154,-
Drum Support FA 200-1, hot-dip galvanized	B	114,-	15,-	129,-
Drum Support FA 200-2, hot-dip galvanized	B	133,-	22,-	155,-
Can Shelf Type GR-A, galvanized	B	133,-	118,-	251,-
Can Shelf Type GR-B, galvanized	B	133,-	118,-	251,-
Can Shelf Type GR-C, galvanized	B	133,-	118,-	251,-
<b>2033, hot-dip galvanized</b>	B	411,-	164,-	575,-
Drum Support FA 60-1, hot-dip galvanized	B	105,-	15,-	120,-
Drum Support FA 60-2, hot-dip galvanized	B	114,-	18,-	132,-
Drum Support FA 60-3, hot-dip galvanized	B	133,-	21,-	154,-
Drum Support FA 200-1, hot-dip galvanized	B	114,-	15,-	129,-
Drum Support FA 200-2, hot-dip galvanized	B	133,-	22,-	155,-
Can Shelf Type GR-A, galvanized	B	133,-	118,-	251,-
Can Shelf Type GR-B, galvanized	B	133,-	118,-	251,-
Can Shelf Type GR-C, galvanized	B	133,-	118,-	251,-
<b>2040, painted</b>	B	339,-	164,-	503,-
<b>2041, hot-dip galvanized</b>	B	411,-	164,-	575,-
<b>2042, painted</b>	B	439,-	277,-	716,-
Drum Support FA 60-1, hot-dip galvanized	B	105,-	15,-	120,-
Drum Support FA 60-2, hot-dip galvanized	B	114,-	18,-	132,-
Drum Support FA 60-3, hot-dip galvanized	B	133,-	21,-	154,-
Can Shelf Type GR-A, galvanized	B	133,-	118,-	251,-
Can Shelf Type GR-B, galvanized	B	133,-	118,-	251,-

Prices in EUR, valid EXW DE-46354 Südlohn, DE-38820 Halberstadt, unpacked  
Freight charges valid CPT Romania, islands and oversea territories excluded

# Price List 0424 en-R0

## Environment / Storage



Sump Trays Type SERIES 2000	Category	Price	Freight charges	Price including freight charges
Can Shelf Type GR-C, galvanized	B	133,-	118,-	251,-
<b>2043, hot-dip galvanized</b>	B	511,-	277,-	788,-
Drum Support FA 60-1, hot-dip galvanized	B	105,-	15,-	120,-
Drum Support FA 60-2, hot-dip galvanized	B	114,-	18,-	132,-
Drum Support FA 60-3, hot-dip galvanized	B	133,-	21,-	154,-
Can Shelf Type GR-A, galvanized	B	133,-	118,-	251,-
Can Shelf Type GR-B, galvanized	B	133,-	118,-	251,-
Can Shelf Type GR-C, galvanized	B	133,-	118,-	251,-
<b>2048, painted</b>	B	261,-	164,-	425,-
<b>2049, hot-dip galvanized</b>	B	305,-	164,-	469,-
<b>2050, painted</b>	B	356,-	164,-	520,-
Drum Support FA 60-1, hot-dip galvanized	B	105,-	15,-	120,-
Drum Support FA 60-2, hot-dip galvanized	B	114,-	18,-	132,-
Drum Support FA 60-3, hot-dip galvanized	B	133,-	21,-	154,-
Can Shelf Type GR-A, galvanized	B	133,-	118,-	251,-
Can Shelf Type GR-B, galvanized	B	133,-	118,-	251,-
Can Shelf Type GR-C, galvanized	B	133,-	118,-	251,-
<b>2051, hot-dip galvanized</b>	B	400,-	164,-	564,-
Drum Support FA 60-1, hot-dip galvanized	B	105,-	15,-	120,-
Drum Support FA 60-2, hot-dip galvanized	B	114,-	18,-	132,-
Drum Support FA 60-3, hot-dip galvanized	B	133,-	21,-	154,-
Can Shelf Type GR-A, galvanized	B	133,-	118,-	251,-
Can Shelf Type GR-B, galvanized	B	133,-	118,-	251,-
Can Shelf Type GR-C, galvanized	B	133,-	118,-	251,-
Sump Trays Type SERIES 2000/SW	Category	Price	Freight charges	Price including freight charges
<b>2002/SW, painted</b>	B	412,-	164,-	576,-
<b>2003/SW, hot-dip galvanized</b>	B	448,-	164,-	612,-
<b>2018/SW, painted</b>	B	452,-	277,-	729,-
Drum Support FA 60-1, hot-dip galvanized	B	105,-	15,-	120,-
Drum Support FA 60-2, hot-dip galvanized	B	114,-	18,-	132,-
Drum Support FA 60-3, hot-dip galvanized	B	133,-	21,-	154,-
Drum Support FA 200-1, hot-dip galvanized	B	114,-	15,-	129,-
Can Shelf Type GR-A, galvanized	B	133,-	118,-	251,-
Can Shelf Type GR-B, galvanized	B	133,-	118,-	251,-
Can Shelf Type GR-C, galvanized	B	133,-	118,-	251,-
<b>2019/SW, hot-dip galvanized</b>	B	499,-	277,-	776,-
Drum Support FA 60-1, hot-dip galvanized	B	105,-	15,-	120,-
Drum Support FA 60-2, hot-dip galvanized	B	114,-	18,-	132,-
Drum Support FA 60-3, hot-dip galvanized	B	133,-	21,-	154,-
Drum Support FA 200-1, hot-dip galvanized	B	114,-	15,-	129,-
Can Shelf Type GR-A, galvanized	B	133,-	118,-	251,-
Can Shelf Type GR-B, galvanized	B	133,-	118,-	251,-
Can Shelf Type GR-C, galvanized	B	133,-	118,-	251,-
<b>2032/SW, painted</b>	B	533,-	277,-	810,-
Drum Support FA 60-1, hot-dip galvanized	B	105,-	15,-	120,-

Prices in EUR, valid EXW DE-46354 Südlohn, DE-38820 Halberstadt, unpacked  
Freight charges valid CPT Romania, islands and oversea territories excluded

# Price List 0424 en-R0

## Environment / Storage



Sump Trays Type SERIES 2000/SW	Category	Price	Freight charges	Price including freight charges
Drum Support FA 60-2, hot-dip galvanized	B	114,-	18,-	132,-
Drum Support FA 60-3, hot-dip galvanized	B	133,-	21,-	154,-
Drum Support FA 200-1, hot-dip galvanized	B	114,-	15,-	129,-
Drum Support FA 200-2, hot-dip galvanized	B	133,-	22,-	155,-
Can Shelf Type GR-A, galvanized	B	133,-	118,-	251,-
Can Shelf Type GR-B, galvanized	B	133,-	118,-	251,-
Can Shelf Type GR-C, galvanized	B	133,-	118,-	251,-
<b>2033/SW, hot-dip galvanized</b>	B	579,-	277,-	856,-
Drum Support FA 60-1, hot-dip galvanized	B	105,-	15,-	120,-
Drum Support FA 60-2, hot-dip galvanized	B	114,-	18,-	132,-
Drum Support FA 60-3, hot-dip galvanized	B	133,-	21,-	154,-
Drum Support FA 200-1, hot-dip galvanized	B	114,-	15,-	129,-
Drum Support FA 200-2, hot-dip galvanized	B	133,-	22,-	155,-
Can Shelf Type GR-A, galvanized	B	133,-	118,-	251,-
Can Shelf Type GR-B, galvanized	B	133,-	118,-	251,-
Can Shelf Type GR-C, galvanized	B	133,-	118,-	251,-
<b>2042/SW, painted</b>	B	661,-	327,-	988,-
Drum Support FA 60-1, hot-dip galvanized	B	105,-	15,-	120,-
Drum Support FA 60-2, hot-dip galvanized	B	114,-	18,-	132,-
Drum Support FA 60-3, hot-dip galvanized	B	133,-	21,-	154,-
Can Shelf Type GR-A, galvanized	B	133,-	118,-	251,-
Can Shelf Type GR-B, galvanized	B	133,-	118,-	251,-
Can Shelf Type GR-C, galvanized	B	133,-	118,-	251,-
<b>2043/SW, hot-dip galvanized</b>	B	734,-	327,-	1061,-
Drum Support FA 60-1, hot-dip galvanized	B	105,-	15,-	120,-
Drum Support FA 60-2, hot-dip galvanized	B	114,-	18,-	132,-
Drum Support FA 60-3, hot-dip galvanized	B	133,-	21,-	154,-
Can Shelf Type GR-A, galvanized	B	133,-	118,-	251,-
Can Shelf Type GR-B, galvanized	B	133,-	118,-	251,-
Can Shelf Type GR-C, galvanized	B	133,-	118,-	251,-
Mobile Sump Trays Type SERIES 2000	Category	Price	Freight charges	Price including freight charges
<b>2004, painted</b>	B	570,-	164,-	734,-
Fixture and Tension Belt for 1 x 200 Litre Drum	B	46,-	9,-	55,-
<b>2005, hot-dip galvanized</b>	B	634,-	164,-	798,-
Fixture and Tension Belt for 1 x 200 Litre Drum	B	46,-	9,-	55,-
<b>2020, painted</b>	B	633,-	164,-	797,-
Fixture and Tension Belt for 2 x 200 Litre Drums	B	46,-	9,-	55,-
<b>2021, hot-dip galvanized</b>	B	692,-	164,-	856,-
Fixture and Tension Belt for 2 x 200 Litre Drums	B	46,-	9,-	55,-
<b>2050 SR, painted</b>	B	685,-	164,-	849,-
Fixture and Tension Belt for 3 x 200 Litre Drums	B	46,-	9,-	55,-
<b>2051 SR, hot-dip galvanized</b>	B	740,-	277,-	1017,-
Fixture and Tension Belt for 3 x 200 Litre Drums	B	46,-	9,-	55,-

Prices in EUR, valid EXW DE-46354 Südlohn, DE-38820 Halberstadt, unpacked  
Freight charges valid CPT Romania, islands and oversea territories excluded



# Price List 0424 en-R0

## Environment / Storage



Drum Shelves with Sump Trays Type SERIES 3000	Category	Price	Freight charges	Price including freight charges
<b>3000, hot-dip galvanized</b>	B	1054,-	277,-	1331,-
Retainer Bar	B	46,-	12,-	58,-
Rotating Support RA 200, hot-dip galvanized	B	93,-	10,-	103,-
Can Stand Type GS, hot-dip galvanized	B	62,-	18,-	80,-
Crash Guard	B	54,-	9,-	63,-
<b>3001, hot-dip galvanized</b>	B	887,-	277,-	1164,-
Retainer Bar	B	46,-	12,-	58,-
Rotating Support RA 200, hot-dip galvanized	B	93,-	10,-	103,-
Can Stand Type GS, hot-dip galvanized	B	62,-	18,-	80,-
Crash Guard	B	54,-	9,-	63,-
<b>3002, hot-dip galvanized</b>	B	1255,-	327,-	1582,-
Retainer Bar	B	46,-	12,-	58,-
Rotating Support RA 200, hot-dip galvanized	B	93,-	10,-	103,-
Can Stand Type GS, hot-dip galvanized	B	62,-	18,-	80,-
Crash Guard	B	54,-	9,-	63,-
<b>3003, hot-dip galvanized</b>	B	1063,-	327,-	1390,-
Retainer Bar	B	46,-	12,-	58,-
Rotating Support RA 200, hot-dip galvanized	B	93,-	10,-	103,-
Can Stand Type GS, hot-dip galvanized	B	62,-	18,-	80,-
Crash Guard	B	54,-	9,-	63,-
<b>3004, hot-dip galvanized</b>	B	1298,-	277,-	1575,-
Retainer Bar	B	46,-	12,-	58,-
Rotating Support RA 60, hot-dip galvanized	B	93,-	9,-	102,-
Can Stand Type GS, hot-dip galvanized	B	62,-	18,-	80,-
Crash Guard	B	54,-	9,-	63,-
<b>3005, hot-dip galvanized</b>	B	1174,-	277,-	1451,-
Retainer Bar	B	46,-	12,-	58,-
Rotating Support RA 60, hot-dip galvanized	B	93,-	9,-	102,-
Can Stand Type GS, hot-dip galvanized	B	62,-	18,-	80,-
Crash Guard	B	54,-	9,-	63,-
<b>3006, hot-dip galvanized</b>	B	1639,-	456,-	2095,-
Retainer Bar	B	46,-	12,-	58,-
Rotating Support RA 60, hot-dip galvanized	B	93,-	9,-	102,-
Can Stand Type GS, hot-dip galvanized	B	62,-	18,-	80,-
Crash Guard	B	54,-	9,-	63,-
<b>3007, hot-dip galvanized</b>	B	1400,-	327,-	1727,-
Retainer Bar	B	46,-	12,-	58,-
Rotating Support RA 60, hot-dip galvanized	B	93,-	9,-	102,-
Can Stand Type GS, hot-dip galvanized	B	62,-	18,-	80,-
Crash Guard	B	54,-	9,-	63,-
<b>3010, hot-dip galvanized</b>	B	1244,-	327,-	1571,-
Retainer Bar	B	46,-	12,-	58,-
Rotating Support RA 200, hot-dip galvanized	B	93,-	10,-	103,-
Can Stand Type GS, hot-dip galvanized	B	62,-	18,-	80,-
Crash Guard	B	54,-	9,-	63,-
<b>3011, hot-dip galvanized</b>	B	1034,-	327,-	1361,-

Prices in EUR, valid EXW DE-46354 Südlohn, DE-38820 Halberstadt, unpacked  
Freight charges valid CPT Romania, islands and oversea territories excluded

# Price List 0424 en-R0

## Environment / Storage



<b>Drum Shelves with Sump Trays Type SERIES 3000</b>	<b>Category</b>	<b>Price</b>	<b>Freight charges</b>	<b>Price including freight charges</b>
Retainer Bar	B	46,-	12,-	58,-
Rotating Support RA 200, hot-dip galvanized	B	93,-	10,-	103,-
Can Stand Type GS, hot-dip galvanized	B	62,-	18,-	80,-
Crash Guard	B	54,-	9,-	63,-

<b>Small Can Shelves with Sumps Type SERIES 3000</b>	<b>Category</b>	<b>Price</b>	<b>Freight charges</b>	<b>Price including freight charges</b>
<b>3017-4E, galvanized</b>	B	461,-	164,-	625,-
Grid Storage Level, hot dip-galvanized	B	59,-	10,-	69,-
Spill Tray, galvanized	B	96,-	10,-	106,-
Storage level for Drum Shelves	B	33,-	9,-	42,-
<b>3018-4E, galvanized</b>	B	383,-	164,-	547,-
Grid Storage Level, hot dip-galvanized	B	59,-	10,-	69,-
Spill Tray, galvanized	B	96,-	10,-	106,-
Storage level for Drum Shelves	B	33,-	9,-	42,-
<b>3019-4E, galvanized</b>	B	556,-	277,-	833,-
Grid Storage Level, hot dip-galvanized	B	59,-	10,-	69,-
Spill Tray, galvanized	B	96,-	10,-	106,-
Storage level for Drum Shelves	B	33,-	9,-	42,-
<b>3020-4E, galvanized</b>	B	476,-	277,-	753,-
Grid Storage Level, hot dip-galvanized	B	59,-	10,-	69,-
Spill Tray, galvanized	B	96,-	10,-	106,-
Storage level for Drum Shelves	B	33,-	9,-	42,-
<b>3021-4E, galvanized</b>	B	694,-	277,-	971,-
Grid Storage Level, hot dip-galvanized	B	59,-	10,-	69,-
Spill Tray, galvanized	B	96,-	10,-	106,-
Storage level for Drum Shelves	B	33,-	9,-	42,-
<b>3022-4E, galvanized</b>	B	604,-	164,-	768,-
Grid Storage Level, hot dip-galvanized	B	59,-	10,-	69,-
Spill Tray, galvanized	B	96,-	10,-	106,-
Storage level for Drum Shelves	B	33,-	9,-	42,-
<b>3023-4E, galvanized</b>	B	1122,-	327,-	1449,-
Grid Storage Level, hot dip-galvanized	B	59,-	10,-	69,-
Spill Tray, galvanized	B	96,-	10,-	106,-
Storage level for Drum Shelves	B	33,-	9,-	42,-
<b>3024-4E, galvanized</b>	B	935,-	327,-	1262,-
Grid Storage Level, hot dip-galvanized	B	59,-	10,-	69,-
Spill Tray, galvanized	B	96,-	10,-	106,-
Storage level for Drum Shelves	B	33,-	9,-	42,-

<b>Shelves Type AG</b>	<b>Category</b>	<b>Price</b>	<b>Freight charges</b>	<b>Price including freight charges</b>
<b>AG 60-1, hot-dip galvanized</b>	B	108,-	12,-	120,-
<b>AG 60-2, hot-dip galvanized</b>	B	113,-	14,-	127,-
<b>AG 60-3, hot-dip galvanized</b>	B	121,-	15,-	136,-

Prices in EUR, valid EXW DE-46354 Südlohn, DE-38820 Halberstadt, unpacked  
 Freight charges valid CPT Romania, islands and oversea territories excluded

# Price List 0424 en-R0

## Environment / Storage



Sump Tray Type AM	Category	Price	Freight charges	Price including freight charges
<b>AM-1, painted</b>	B	323,-	164,-	487,-
<b>AM-1, hot-dip galvanized</b>	B	366,-	164,-	530,-
<b>AM-2, painted</b>	B	357,-	164,-	521,-
Drum Support FA 60-1, hot-dip galvanized	B	105,-	15,-	120,-
Drum Support FA 60-2, hot-dip galvanized	B	114,-	18,-	132,-
Drum Support FA 60-3, hot-dip galvanized	B	133,-	21,-	154,-
Drum Support FA 200-1, hot-dip galvanized	B	114,-	15,-	129,-
Can Shelf Type GR-A, galvanized	B	133,-	118,-	251,-
Can Shelf Type GR-B, galvanized	B	133,-	118,-	251,-
Can Shelf Type GR-C, galvanized	B	133,-	118,-	251,-
<b>AM-2, hot-dip galvanized</b>	B	412,-	164,-	576,-
Drum Support FA 60-1, hot-dip galvanized	B	105,-	15,-	120,-
Drum Support FA 60-2, hot-dip galvanized	B	114,-	18,-	132,-
Drum Support FA 60-3, hot-dip galvanized	B	133,-	21,-	154,-
Drum Support FA 200-1, hot-dip galvanized	B	114,-	15,-	129,-
Can Shelf Type GR-A, galvanized	B	133,-	118,-	251,-
Can Shelf Type GR-B, galvanized	B	133,-	118,-	251,-
Can Shelf Type GR-C, galvanized	B	133,-	118,-	251,-
<b>AM-4/A, painted</b>	B	428,-	164,-	592,-
Drum Support FA 60-1, hot-dip galvanized	B	105,-	15,-	120,-
Drum Support FA 60-2, hot-dip galvanized	B	114,-	18,-	132,-
Drum Support FA 60-3, hot-dip galvanized	B	133,-	21,-	154,-
Drum Support FA 200-1, hot-dip galvanized	B	114,-	15,-	129,-
Drum Support FA 200-2, hot-dip galvanized	B	133,-	22,-	155,-
Can Shelf Type GR-A, galvanized	B	133,-	118,-	251,-
Can Shelf Type GR-B, galvanized	B	133,-	118,-	251,-
Can Shelf Type GR-C, galvanized	B	133,-	118,-	251,-
<b>AM-4/A, hot-dip galvanized</b>	B	482,-	277,-	759,-
Drum Support FA 60-1, hot-dip galvanized	B	105,-	15,-	120,-
Drum Support FA 60-2, hot-dip galvanized	B	114,-	18,-	132,-
Drum Support FA 60-3, hot-dip galvanized	B	133,-	21,-	154,-
Drum Support FA 200-1, hot-dip galvanized	B	114,-	15,-	129,-
Drum Support FA 200-2, hot-dip galvanized	B	133,-	22,-	155,-
Can Shelf Type GR-A, galvanized	B	133,-	118,-	251,-
Can Shelf Type GR-B, galvanized	B	133,-	118,-	251,-
Can Shelf Type GR-C, galvanized	B	133,-	118,-	251,-
<b>AM-4/B, painted</b>	B	514,-	277,-	791,-
Drum Support FA 60-1, hot-dip galvanized	B	105,-	15,-	120,-
Drum Support FA 60-2, hot-dip galvanized	B	114,-	18,-	132,-
Drum Support FA 60-3, hot-dip galvanized	B	133,-	21,-	154,-
Can Shelf Type GR-A, galvanized	B	133,-	118,-	251,-
Can Shelf Type GR-B, galvanized	B	133,-	118,-	251,-
Can Shelf Type GR-C, galvanized	B	133,-	118,-	251,-
<b>AM-4/B, hot-dip galvanized</b>	B	602,-	277,-	879,-
Drum Support FA 60-1, hot-dip galvanized	B	105,-	15,-	120,-
Drum Support FA 60-2, hot-dip galvanized	B	114,-	18,-	132,-

Prices in EUR, valid EXW DE-46354 Südlohn, DE-38820 Halberstadt, unpacked  
Freight charges valid CPT Romania, islands and oversea territories excluded

# Price List 0424 en-R0

## Environment / Storage



Sump Tray Type AM	Category	Price	Freight charges	Price including freight charges
Drum Support FA 60-3, hot-dip galvanized	B	133,-	21,-	154,-
Can Shelf Type GR-A, galvanized	B	133,-	118,-	251,-
Can Shelf Type GR-B, galvanized	B	133,-	118,-	251,-
Can Shelf Type GR-C, galvanized	B	133,-	118,-	251,-

Sump Tray Type AO	Category	Price	Freight charges	Price including freight charges
AO-1, painted	B	282,-	164,-	446,-
AO-1, hot-dip galvanized	B	325,-	164,-	489,-
AO-2, painted	B	299,-	164,-	463,-
AO-2, hot-dip galvanized	B	354,-	164,-	518,-
AO-4/A, painted	B	311,-	164,-	475,-
AO-4/A, hot-dip galvanized	B	365,-	164,-	529,-
AO-4/B, painted	B	398,-	164,-	562,-
AO-4/B, hot-dip galvanized	B	483,-	164,-	647,-

Sump Tray Type AW	Category	Price	Freight charges	Price including freight charges
AW 450, painted	B	619,-	277,-	896,-
AW 450, hot-dip galvanized	B	768,-	277,-	1045,-
AW 800, painted	B	644,-	277,-	921,-
AW 800, hot-dip galvanized	B	802,-	277,-	1079,-
AW 1000, painted	B	649,-	277,-	926,-
AW 1000, hot-dip galvanized	B	809,-	277,-	1086,-
AW 1000-2, painted	B	831,-	456,-	1287,-
AW 1000-2, hot-dip galvanized	B	933,-	456,-	1389,-
AW 1000-3, hot-dip galvanized	B	1585,-	541,-	2126,-
AW 1000-3, painted	B	1472,-	456,-	1928,-
AW 1000-10F, painted	B	997,-	456,-	1453,-
AW 1000-10F, hot-dip galvanized	B	1154,-	456,-	1610,-

Sump Tray Type AW/SW	Category	Price	Freight charges	Price including freight charges
AW 450/SW, painted	B	815,-	277,-	1092,-
AW 450/SW, hot-dip galvanized	B	964,-	406,-	1370,-
AW 800/SW, painted	B	839,-	406,-	1245,-
AW 800/SW, hot-dip galvanized	B	997,-	406,-	1403,-
AW 1000/SW, painted	B	844,-	406,-	1250,-
AW 1000/SW, hot-dip galvanized	B	1006,-	406,-	1412,-
AW 1000-2/SW, painted	B	1054,-	456,-	1510,-
AW 1000-2/SW, hot-dip galvanized	B	1155,-	541,-	1696,-
AW 1000-3/SW, painted	B	1726,-	541,-	2267,-
AW 1000-3/SW, hot-dip galvanized	B	2049,-	768,-	2817,-
AW 1000-10F/SW, painted	B	1340,-	541,-	1881,-
AW 1000-10F/SW, hot-dip galvanized	B	1495,-	541,-	2036,-

Mobile Sump Tray AW 60-1 SR	Category	Price	Freight charges	Price including freight charges
AW 60-1 SR, painted	B	314,-	164,-	478,-

Prices in EUR, valid EXW DE-46354 Südlohn, DE-38820 Halberstadt, unpacked  
 Freight charges valid CPT Romania, islands and oversea territories excluded

# Price List 0424 en-RO

## Environment / Storage



Mobile Sump Tray AW 60-1 SR	Category	Price	Freight charges	Price including freight charges
Fixture and Tension belt for 2 x 60 Litre Drums	B	43,-	8,-	51,-
<b>AW 60-1 SR, hot-dip galvanized</b>	B	333,-	164,-	497,-
Fixture and Tension belt for 2 x 60 Litre Drums	B	43,-	8,-	51,-
Mobile Sump Tray AW 60-1 SRF	Category	Price	Freight charges	Price including freight charges
<b>AW 60-1 SRF, painted</b>	B	414,-	164,-	578,-
<b>AW 60-1 SRF, hot-dip galvanized</b>	B	435,-	164,-	599,-
Sump Tray Type AW 60	Category	Price	Freight charges	Price including freight charges
<b>AW 60-1, painted</b>	B	170,-	118,-	288,-
Grid GR 60-1, hot-dip galvanized	B	22,-	8,-	30,-
Drum Support FA 60-A for Drum Shelf AG 60, galvanized	B	24,-	8,-	32,-
Rotating Support RA 60-A, hot-dip galvanized	B	93,-	9,-	102,-
<b>AG 60-1, hot-dip galvanized</b>	B	108,-	12,-	120,-
Canister Stand AB, galvanized	B	18,-	8,-	26,-
Castor Set, polyamide, Load capacity 375 kg / castor set	B	83,-	15,-	98,-
<b>AW 60-1, hot-dip galvanized</b>	B	182,-	118,-	300,-
Grid GR 60-1, hot-dip galvanized	B	22,-	8,-	30,-
Drum Support FA 60-A for Drum Shelf AG 60, galvanized	B	24,-	8,-	32,-
Rotating Support RA 60-A, hot-dip galvanized	B	93,-	9,-	102,-
<b>AG 60-1, hot-dip galvanized</b>	B	108,-	12,-	120,-
Canister Stand AB, galvanized	B	18,-	8,-	26,-
Castor Set, polyamide, Load capacity 375 kg / castor set	B	83,-	15,-	98,-
<b>AW 60-2, painted</b>	B	171,-	164,-	335,-
Grid GR 60-2, hot-dip galvanized	B	26,-	12,-	38,-
Drum Support FA 60-A for Drum Shelf AG 60, galvanized	B	24,-	8,-	32,-
Rotating Support RA 60-A, hot-dip galvanized	B	93,-	9,-	102,-
<b>AG 60-2, hot-dip galvanized</b>	B	113,-	14,-	127,-
Canister Stand AB, galvanized	B	18,-	8,-	26,-
Castor Set, polyamide, Load capacity 375 kg / castor set	B	83,-	15,-	98,-
<b>AW 60-2, hot-dip galvanized</b>	B	188,-	164,-	352,-
Grid GR 60-2, hot-dip galvanized	B	26,-	12,-	38,-
Drum Support FA 60-A for Drum Shelf AG 60, galvanized	B	24,-	8,-	32,-
Rotating Support RA 60-A, hot-dip galvanized	B	93,-	9,-	102,-
<b>AG 60-2, hot-dip galvanized</b>	B	113,-	14,-	127,-
Canister Stand AB, galvanized	B	18,-	8,-	26,-
Castor Set, polyamide, Load capacity 375 kg / castor set	B	83,-	15,-	98,-
<b>AW 60-3, painted</b>	B	186,-	164,-	350,-
Grid GR 60-3, hot-dip galvanized	B	38,-	14,-	52,-
Drum Support FA 60-A for Drum Shelf AG 60, galvanized	B	24,-	8,-	32,-
Rotating Support RA 60-A, hot-dip galvanized	B	93,-	9,-	102,-
<b>AG 60-3, hot-dip galvanized</b>	B	121,-	15,-	136,-
Canister Stand AB, galvanized	B	18,-	8,-	26,-
Castor Set, polyamide, Load capacity 375 kg / castor set	B	83,-	15,-	98,-
<b>AW 60-3, hot-dip galvanized</b>	B	209,-	164,-	373,-

Prices in EUR, valid EXW DE-46354 Südlohn, DE-38820 Halberstadt, unpacked  
Freight charges valid CPT Romania, islands and oversea territories excluded

# Price List 0424 en-R0

## Environment / Storage



Sump Tray Type AW 60	Category	Price	Freight charges	Price including freight charges
Grid GR 60-3, hot-dip galvanized	B	38,-	14,-	52,-
Drum Support FA 60-A for Drum Shelf AG 60, galvanized	B	24,-	8,-	32,-
Rotating Support RA 60-A, hot-dip galvanized	B	93,-	9,-	102,-
<b>AG 60-3, hot-dip galvanized</b>	B	121,-	15,-	136,-
Canister Stand AB, galvanized	B	18,-	8,-	26,-
Castor Set, polyamide, Load capacity 375 kg / castor set	B	83,-	15,-	98,-
Sump Tray Type AW 60/M	Category	Price	Freight charges	Price including freight charges
<b>AW 60-1/M, painted</b>	B	189,-	164,-	353,-
Drum Support FA 60-A for Drum Shelf AG 60, galvanized	B	24,-	8,-	32,-
Rotating Support RA 60-A, hot-dip galvanized	B	93,-	9,-	102,-
<b>AG 60-1, hot-dip galvanized</b>	B	108,-	12,-	120,-
Canister Stand AB, galvanized	B	18,-	8,-	26,-
Castor Set, polyamide, Load capacity 375 kg / castor set	B	83,-	15,-	98,-
<b>AW 60-1/M, hot-dip galvanized</b>	B	203,-	164,-	367,-
Drum Support FA 60-A for Drum Shelf AG 60, galvanized	B	24,-	8,-	32,-
Rotating Support RA 60-A, hot-dip galvanized	B	93,-	9,-	102,-
<b>AG 60-1, hot-dip galvanized</b>	B	108,-	12,-	120,-
Canister Stand AB, galvanized	B	18,-	8,-	26,-
Castor Set, polyamide, Load capacity 375 kg / castor set	B	83,-	15,-	98,-
<b>AW 60-2/M, painted</b>	B	196,-	164,-	360,-
Drum Support FA 60-A for Drum Shelf AG 60, galvanized	B	24,-	8,-	32,-
Drum Support FA 60-2, hot-dip galvanized	B	114,-	18,-	132,-
Rotating Support RA 60-A, hot-dip galvanized	B	93,-	9,-	102,-
<b>AG 60-2, hot-dip galvanized</b>	B	113,-	14,-	127,-
Canister Stand AB, galvanized	B	18,-	8,-	26,-
Castor Set, polyamide, Load capacity 375 kg / castor set	B	83,-	15,-	98,-
<b>AW 60-2/M, hot-dip galvanized</b>	B	213,-	164,-	377,-
Drum Support FA 60-A for Drum Shelf AG 60, galvanized	B	24,-	8,-	32,-
Drum Support FA 60-2, hot-dip galvanized	B	114,-	18,-	132,-
Rotating Support RA 60-A, hot-dip galvanized	B	93,-	9,-	102,-
<b>AG 60-2, hot-dip galvanized</b>	B	113,-	14,-	127,-
Canister Stand AB, galvanized	B	18,-	8,-	26,-
Castor Set, polyamide, Load capacity 375 kg / castor set	B	83,-	15,-	98,-
<b>AW 60-3/M, painted</b>	B	224,-	164,-	388,-
Drum Support FA 60-A for Drum Shelf AG 60, galvanized	B	24,-	8,-	32,-
Drum Support FA 60-2, hot-dip galvanized	B	114,-	18,-	132,-
Drum Support FA 60-3, hot-dip galvanized	B	133,-	21,-	154,-
Rotating Support RA 60-A, hot-dip galvanized	B	93,-	9,-	102,-
<b>AG 60-3, hot-dip galvanized</b>	B	121,-	15,-	136,-
Canister Stand AB, galvanized	B	18,-	8,-	26,-
Castor Set, polyamide, Load capacity 375 kg / castor set	B	83,-	15,-	98,-
<b>AW 60-3/M, hot-dip galvanized</b>	B	245,-	164,-	409,-
Drum Support FA 60-A for Drum Shelf AG 60, galvanized	B	24,-	8,-	32,-
Drum Support FA 60-2, hot-dip galvanized	B	114,-	18,-	132,-
Drum Support FA 60-3, hot-dip galvanized	B	133,-	21,-	154,-

Prices in EUR, valid EXW DE-46354 Südlohn, DE-38820 Halberstadt, unpacked  
Freight charges valid CPT Romania, islands and oversea territories excluded

# Price List 0424 en-R0

## Environment / Storage



Sump Tray Type AW 60/M	Category	Price	Freight charges	Price including freight charges
Rotating Support RA 60-A, hot-dip galvanized	B	93,-	9,-	102,-
<b>AG 60-3, hot-dip galvanized</b>	B	121,-	15,-	136,-
Canister Stand AB, galvanized	B	18,-	8,-	26,-
Castor Set, polyamide, Load capacity 375 kg / castor set	B	83,-	15,-	98,-

Sump Tray Type AW/PE	Category	Price	Freight charges	Price including freight charges
<b>AW-1/PE, painted</b>	B	635,-	164,-	799,-
<b>AW-1/PE, hot-dip galvanized</b>	B	664,-	164,-	828,-
<b>AW-2/PE, painted</b>	B	696,-	164,-	860,-
Drum Support FA 60-1, hot-dip galvanized	B	105,-	15,-	120,-
Drum Support FA 60-2, hot-dip galvanized	B	114,-	18,-	132,-
Drum Support FA 60-3, hot-dip galvanized	B	133,-	21,-	154,-
Drum Support FA 200-1, hot-dip galvanized	B	114,-	15,-	129,-
Can Shelf Type GR-A, galvanized	B	133,-	118,-	251,-
Can Shelf Type GR-B, galvanized	B	133,-	118,-	251,-
Can Shelf Type GR-C, galvanized	B	133,-	118,-	251,-
<b>AW-2/PE, hot-dip galvanized</b>	B	731,-	164,-	895,-
Drum Support FA 60-1, hot-dip galvanized	B	105,-	15,-	120,-
Drum Support FA 60-2, hot-dip galvanized	B	114,-	18,-	132,-
Drum Support FA 60-3, hot-dip galvanized	B	133,-	21,-	154,-
Drum Support FA 200-1, hot-dip galvanized	B	114,-	15,-	129,-
Can Shelf Type GR-A, galvanized	B	133,-	118,-	251,-
Can Shelf Type GR-B, galvanized	B	133,-	118,-	251,-
Can Shelf Type GR-C, galvanized	B	133,-	118,-	251,-
<b>AW-4/A/PE, painted</b>	B	790,-	277,-	1067,-
Drum Support FA 60-1, hot-dip galvanized	B	105,-	15,-	120,-
Drum Support FA 60-2, hot-dip galvanized	B	114,-	18,-	132,-
Drum Support FA 60-3, hot-dip galvanized	B	133,-	21,-	154,-
Drum Support FA 200-1, hot-dip galvanized	B	114,-	15,-	129,-
Drum Support FA 200-2, hot-dip galvanized	B	133,-	22,-	155,-
Can Shelf Type GR-A, galvanized	B	133,-	118,-	251,-
Can Shelf Type GR-B, galvanized	B	133,-	118,-	251,-
Can Shelf Type GR-C, galvanized	B	133,-	118,-	251,-
<b>AW-4/A/PE, hot-dip galvanized</b>	B	829,-	277,-	1106,-
Drum Support FA 60-1, hot-dip galvanized	B	105,-	15,-	120,-
Drum Support FA 60-2, hot-dip galvanized	B	114,-	18,-	132,-
Drum Support FA 60-3, hot-dip galvanized	B	133,-	21,-	154,-
Drum Support FA 200-1, hot-dip galvanized	B	114,-	15,-	129,-
Drum Support FA 200-2, hot-dip galvanized	B	133,-	22,-	155,-
Can Shelf Type GR-A, galvanized	B	133,-	118,-	251,-
Can Shelf Type GR-B, galvanized	B	133,-	118,-	251,-
Can Shelf Type GR-C, galvanized	B	133,-	118,-	251,-
<b>AW-4/B/PE, painted</b>	B	986,-	327,-	1313,-
Drum Support FA 60-1, hot-dip galvanized	B	105,-	15,-	120,-
Drum Support FA 60-2, hot-dip galvanized	B	114,-	18,-	132,-
Drum Support FA 60-3, hot-dip galvanized	B	133,-	21,-	154,-

Prices in EUR, valid EXW DE-46354 Südlohn, DE-38820 Halberstadt, unpacked  
Freight charges valid CPT Romania, islands and oversea territories excluded

# Price List 0424 en-R0

## Environment / Storage



Sump Tray Type AW/PE	Category	Price	Freight charges	Price including freight charges
Can Shelf Type GR-A, galvanized	B	133,-	118,-	251,-
Can Shelf Type GR-B, galvanized	B	133,-	118,-	251,-
Can Shelf Type GR-C, galvanized	B	133,-	118,-	251,-
<b>AW-4/B/PE, hot-dip galvanized</b>	B	1058,-	327,-	1385,-
Drum Support FA 60-1, hot-dip galvanized	B	105,-	15,-	120,-
Drum Support FA 60-2, hot-dip galvanized	B	114,-	18,-	132,-
Drum Support FA 60-3, hot-dip galvanized	B	133,-	21,-	154,-
Can Shelf Type GR-A, galvanized	B	133,-	118,-	251,-
Can Shelf Type GR-B, galvanized	B	133,-	118,-	251,-
Can Shelf Type GR-C, galvanized	B	133,-	118,-	251,-
<b>AW 1000/PE, painted</b>	B	1339,-	406,-	1745,-
<b>AW 1000/PE, hot-dip galvanized</b>	B	1521,-	406,-	1927,-
<b>AW 1000-2/PE, painted</b>	B	1642,-	456,-	2098,-
<b>AW 1000-2/PE, hot-dip galvanized</b>	B	1756,-	456,-	2212,-

Sump Trays AW 8-12	Category	Price	Freight charges	Price including freight charges
AW-8, painted	B	707,-	327,-	1034,-
AW-8, hot-dip galvanized	B	787,-	456,-	1243,-
AW-10, painted	B	873,-	456,-	1329,-
AW-10, hot-dip galvanized	B	1197,-	456,-	1653,-
AW-12, painted	B	1000,-	456,-	1456,-
AW-12, hot-dip galvanized	B	1382,-	456,-	1838,-

Sump Tray Type AWA	Category	Price	Freight charges	Price including freight charges
AWA 1000, painted	B	834,-	277,-	1111,-
AWA 1000, hot-dip galvanized	B	1009,-	406,-	1415,-
AWA 1000-2, painted	B	1197,-	456,-	1653,-
AWA 1000-2, hot-dip galvanized	B	1327,-	456,-	1783,-
AWA 1000-3, painted	B	2177,-	541,-	2718,-
AWA 1000-3, hot-dip galvanized	B	2304,-	768,-	3072,-
AWA 21, painted	B	1012,-	456,-	1468,-
AWA 21, hot-dip galvanized	B	1142,-	456,-	1598,-
AWA 31, painted	B	1889,-	541,-	2430,-
AWA 31, hot-dip galvanized	B	2006,-	541,-	2547,-
AWA 32, painted	B	2055,-	541,-	2596,-
AWA 32, hot-dip galvanized	B	2173,-	541,-	2714,-

Sump Tray Type AWA/SW	Category	Price	Freight charges	Price including freight charges
AWA 1000/SW, painted	B	1028,-	406,-	1434,-
AWA 1000/SW, hot-dip galvanized	B	1203,-	406,-	1609,-
AWA 1000-2/SW, painted	B	1422,-	541,-	1963,-
AWA 1000-2/SW, hot-dip galvanized	B	1550,-	541,-	2091,-
AWA 1000-3/SW, painted	B	2432,-	768,-	3200,-
AWA 1000-3/SW, hot-dip galvanized	B	2558,-	768,-	3326,-
AWA 21/SW, painted	B	1234,-	541,-	1775,-

Prices in EUR, valid EXW DE-46354 Südlohn, DE-38820 Halberstadt, unpacked  
 Freight charges valid CPT Romania, islands and oversea territories excluded



# Price List 0424 en-R0

## Environment / Storage



Sump Tray Type AWA/SW	Category	Price	Freight charges	Price including freight charges
AWA 21/SW, hot-dip galvanized	B	1365,-	541,-	1906,-
AWA 31/SW, painted	B	2142,-	768,-	2910,-
AWA 31/SW, hot-dip galvanized	B	2259,-	768,-	3027,-
AWA 32/SW, painted	B	2307,-	768,-	3075,-
AWA 32/SW, hot-dip galvanized	B	2427,-	768,-	3195,-

Sump Tray Type AW-F	Category	Price	Freight charges	Price including freight charges
AW-F 1, painted	B	634,-	164,-	798,-
Fixture and Tension Belt for 1 x 200 Litre Drum	B	46,-	9,-	55,-
AW-F 1, hot-dip galvanized	B	753,-	164,-	917,-
Fixture and Tension Belt for 1 x 200 Litre Drum	B	46,-	9,-	55,-
AW-F 2, painted	B	664,-	164,-	828,-
Fixture and Tension Belt for 2 x 200 Litre Drums	B	46,-	9,-	55,-
AW-F 2, hot-dip galvanized	B	813,-	164,-	977,-
Fixture and Tension Belt for 2 x 200 Litre Drums	B	46,-	9,-	55,-

Ground Protection Spill Tray Type BSW	Category	Price	Freight charges	Price including freight charges
BSW 21, galvanized	B	433,-	277,-	710,-
Access Ramp AR 21, galvanized	B	160,-	22,-	182,-
Access Corner Piece AE 24, galvanized	B	125,-	10,-	135,-
Cross-Shaped Connector KV 24, galvanized	B	19,-	8,-	27,-
Tray Connecting Strip WV 21, galvanized	B	21,-	8,-	29,-
BSW 22, galvanized	B	570,-	277,-	847,-
Access Ramp AR 21, galvanized	B	160,-	22,-	182,-
Access Ramp AR 22, galvanized	B	203,-	32,-	235,-
Access Corner Piece AE 24, galvanized	B	125,-	10,-	135,-
Cross-Shaped Connector KV 24, galvanized	B	19,-	8,-	27,-
Tray Connecting Strip WV 21, galvanized	B	21,-	8,-	29,-
Tray Connecting Strip WV 22, galvanized	B	23,-	8,-	31,-
BSW 23, galvanized	B	738,-	219,-	957,-
Access Ramp AR 23, galvanized	B	289,-	214,-	503,-
Access Ramp AR 21, galvanized	B	160,-	22,-	182,-
Access Corner Piece AE 24, galvanized	B	125,-	10,-	135,-
Cross-Shaped Connector KV 24, galvanized	B	19,-	8,-	27,-
Tray Connecting Strip WV 21, galvanized	B	21,-	8,-	29,-
Tray Connecting Strip WV 23, galvanized	B	35,-	9,-	44,-
BSW 24, galvanized	B	1295,-	279,-	1574,-
Access Ramp AR 23, galvanized	B	289,-	214,-	503,-
Access Ramp AR 22, galvanized	B	203,-	32,-	235,-
Access Corner Piece AE 24, galvanized	B	125,-	10,-	135,-
Cross-Shaped Connector KV 24, galvanized	B	19,-	8,-	27,-
Tray Connecting Strip WV 22, galvanized	B	23,-	8,-	31,-
Tray Connecting Strip WV 23, galvanized	B	35,-	9,-	44,-
BSW 121, galvanized	B	192,-	118,-	310,-
Access Ramp AR 121, galvanized	B	157,-	22,-	179,-

Prices in EUR, valid EXW DE-46354 Südlohn, DE-38820 Halberstadt, unpacked  
Freight charges valid CPT Romania, islands and oversea territories excluded

# Price List 0424 en-RO

## Environment / Storage



Ground Protection Spill Tray Type BSW	Category	Price	Freight charges	Price including freight charges
Cross-Shaped Connector KV 24, galvanized	B	19,-	8,-	27,-
Tray Connecting Strip WV 121, galvanized	B	20,-	9,-	29,-
<b>BSW 122, galvanized</b>	B	234,-	164,-	398,-
Access Ramp AR 121, galvanized	B	157,-	22,-	179,-
Access Ramp AR 122, galvanized	B	265,-	36,-	301,-
Access Corner Piece AE 124, galvanized	B	252,-	21,-	273,-
Cross-Shaped Connector KV 24, galvanized	B	19,-	8,-	27,-
Tray Connecting Strip WV 121, galvanized	B	20,-	9,-	29,-
Tray Connecting Strip WV 122, galvanized	B	25,-	9,-	34,-
<b>BSW 123, galvanized</b>	B	327,-	164,-	491,-
Access Ramp AR 122, galvanized	B	265,-	36,-	301,-
Access Corner Piece AE 124, galvanized	B	252,-	21,-	273,-
Cross-Shaped Connector KV 24, galvanized	B	19,-	8,-	27,-
Tray Connecting Strip WV 122, galvanized	B	25,-	9,-	34,-
<b>BSW 124, galvanized</b>	B	534,-	277,-	811,-
Access Ramp AR 122, galvanized	B	265,-	36,-	301,-
Access Ramp AR 123, galvanized	B	326,-	277,-	603,-
Access Corner Piece AE 124, galvanized	B	252,-	21,-	273,-
Cross-Shaped Connector KV 24, galvanized	B	19,-	8,-	27,-
Tray Connecting Strip WV 122, galvanized	B	25,-	9,-	34,-
Tray Connecting Strip WV 123, galvanized	B	34,-	9,-	43,-
<b>BSW 125, galvanized</b>	B	411,-	327,-	738,-
Access Ramp AR 121, galvanized	B	157,-	22,-	179,-
Access Ramp AR 124, galvanized	B	378,-	327,-	705,-
Access Corner Piece AE 124, galvanized	B	252,-	21,-	273,-
Cross-Shaped Connector KV 24, galvanized	B	19,-	8,-	27,-
Tray Connecting Strip WV 121, galvanized	B	20,-	9,-	29,-
Tray Connecting Strip WV 124, galvanized	B	47,-	9,-	56,-
<b>BSW 126, galvanized</b>	B	645,-	456,-	1101,-
Access Ramp AR 122, galvanized	B	265,-	36,-	301,-
Access Ramp AR 124, galvanized	B	378,-	327,-	705,-
Access Corner Piece AE 124, galvanized	B	252,-	21,-	273,-
Cross-Shaped Connector KV 24, galvanized	B	19,-	8,-	27,-
Tray Connecting Strip WV 122, galvanized	B	25,-	9,-	34,-
Tray Connecting Strip WV 124, galvanized	B	47,-	9,-	56,-
Polyethylene Bunded Spill Flooring Type BWP-PE	Category	Price	Freight charges	Price including freight charges
<b>BWP-PE 150, made of robust polyethylene</b>	B	305,-	164,-	469,-
Ramp Type BWR, robust polyethylene, black	B	214,-	12,-	226,-
Joining Element BWV 2, stainless steel 1.4301	B	28,-	9,-	37,-
<b>BWP-PE 300, made of robust polyethylene</b>	B	619,-	164,-	783,-
Ramp Type BWR, robust polyethylene, black	B	214,-	12,-	226,-
Joining Element BWV 4, stainless steel 1.4301	B	36,-	10,-	46,-

Prices in EUR, valid EXW DE-46354 Südlohn, DE-38820 Halberstadt, unpacked  
Freight charges valid CPT Romania, islands and oversea territories excluded

# Price List 0424 en-RO

## Environment / Storage



Polyethylene Bunded Spill Flooring Type BWPS-PE	Category	Price	Freight charges	Price including freight charges
BWPS-PE 300, made of robust polyethylene	B	759,-	214,-	973,-
Ramp Type BWR, robust polyethylene, black	B	214,-	12,-	226,-
Joining Element BWV 2, stainless steel 1.4301	B	28,-	9,-	37,-

Shelf Container Type CEH	Category	Price	Freight charges	Price including freight charges
CEH 29-2, painted	C	8832,-	on request	on request
CEH 29-2 IBC, painted	C	9735,-	on request	on request
CEH 36-2 IBC, painted	C	11330,-	on request	on request
CEH 38-2, painted	C	11322,-	on request	on request
CEH 59-2, painted	C	16765,-	on request	on request
CEH 59-2 IBC, painted	C	17999,-	on request	on request
CEH 75-2 IBC, painted	C	21334,-	on request	on request
CEH 81-2, painted	C	21762,-	on request	on request

Shelf Container Type CEN	Category	Price	Freight charges	Price including freight charges
CEN 29-2, painted	C	7453,-	on request	on request
Potential equalisation	C	177,-	0,-	177,-
CEN 29-2 IBC, painted	C	8136,-	on request	on request
Potential equalisation	C	177,-	0,-	177,-
CEN 29-2b, painted	C	12990,-	on request	on request
Potential equalisation	C	353,-	0,-	353,-
CEN 29-2b IBC, painted	C	13892,-	on request	on request
Potential equalisation	C	353,-	0,-	353,-
CEN 29-3, painted	C	11729,-	on request	on request
Potential equalisation	C	264,-	0,-	264,-
CEN 29-3 IBC, painted	C	12480,-	on request	on request
Potential equalisation	C	264,-	0,-	264,-
CEN 29-3b, painted	C	19088,-	on request	on request
Potential equalisation	C	527,-	0,-	527,-
CEN 29-3b IBC, painted	C	20156,-	on request	on request
Potential equalisation	C	527,-	0,-	527,-
CEN 33-2 IBC, painted	C	9075,-	on request	on request
Potential equalisation	C	177,-	0,-	177,-
CEN 33-2b IBC, painted	C	15207,-	on request	on request
Potential equalisation	C	353,-	0,-	353,-
CEN 33-3 IBC, painted	C	13380,-	on request	on request
Potential equalisation	C	264,-	0,-	264,-
CEN 33-3b IBC, painted	C	21273,-	on request	on request
Potential equalisation	C	527,-	0,-	527,-
CEN 36-2, painted	C	9149,-	on request	on request
Potential equalisation	C	177,-	0,-	177,-
CEN 36-2b, painted	C	15565,-	on request	on request
Potential equalisation	C	353,-	0,-	353,-
CEN 36-3, painted	C	13571,-	on request	on request
Potential equalisation	C	264,-	0,-	264,-

Prices in EUR, valid EXW DE-46354 Südlohn, DE-38820 Halberstadt, unpacked  
Freight charges valid CPT Romania, islands and oversea territories excluded

# Price List 0424 en-R0

## Environment / Storage



Shelf Container Type CEN	Category	Price	Freight charges	Price including freight charges
<b>CEN 36-3b, painted</b>	C	21925,-	on request	on request
Potential equalisation	C	527,-	0,-	527,-
<b>CEN 59-2, painted</b>	C	12340,-	on request	on request
Potential equalisation	C	352,-	0,-	352,-
<b>CEN 59-2 IBC, painted</b>	C	13446,-	on request	on request
Potential equalisation	C	352,-	0,-	352,-
<b>CEN 59-2b, painted</b>	C	21238,-	on request	on request
Potential equalisation	C	704,-	0,-	704,-
<b>CEN 59-2b IBC, painted</b>	C	21984,-	on request	on request
Potential equalisation	C	704,-	0,-	704,-
<b>CEN 59-3, painted</b>	C	18998,-	on request	on request
Potential equalisation	C	526,-	0,-	526,-
<b>CEN 59-3 IBC, painted</b>	C	20108,-	on request	on request
Potential equalisation	C	526,-	0,-	526,-
<b>CEN 59-3b, painted</b>	C	30667,-	on request	on request
Potential equalisation	C	1052,-	0,-	1052,-
<b>CEN 59-3b IBC, painted</b>	C	32274,-	on request	on request
Potential equalisation	C	1052,-	0,-	1052,-
<b>CEN 65-2 IBC, painted</b>	C	14494,-	on request	on request
Potential equalisation	C	352,-	0,-	352,-
<b>CEN 65-2b IBC, painted</b>	C	24443,-	on request	on request
Potential equalisation	C	704,-	0,-	704,-
<b>CEN 65-3 IBC, painted</b>	C	21255,-	on request	on request
Potential equalisation	C	526,-	0,-	526,-
<b>CEN 65-3b IBC, painted</b>	C	34704,-	on request	on request
Potential equalisation	C	1052,-	0,-	1052,-
<b>CEN 75-2, painted</b>	C	15462,-	on request	on request
Potential equalisation	C	352,-	0,-	352,-
<b>CEN 75-2b, painted</b>	C	25589,-	on request	on request
Potential equalisation	C	704,-	0,-	704,-
<b>CEN 75-3, painted</b>	C	22305,-	on request	on request
Potential equalisation	C	526,-	0,-	526,-
<b>CEN 75-3b, painted</b>	C	36212,-	on request	on request
Potential equalisation	C	1052,-	0,-	1052,-
<b>CEN 81-2, painted</b>	C	16220,-	on request	on request
Potential equalisation	C	352,-	0,-	352,-
<b>CEN 81-2b, painted</b>	C	26755,-	on request	on request
Potential equalisation	C	704,-	0,-	704,-
<b>CEN 81-3, painted</b>	C	23356,-	on request	on request
Potential equalisation	C	526,-	0,-	526,-
<b>CEN 81-3b, painted</b>	C	37796,-	on request	on request
Potential equalisation	C	1052,-	0,-	1052,-
<b>Sump Tray for Skips Type CW</b>	<b>Category</b>	<b>Price</b>	<b>Freight charges</b>	<b>Price including freight charges</b>
<b>CW 1, painted</b>	B	2852,-	on request	on request
<b>CW 2, painted</b>	B	3116,-	on request	on request

Prices in EUR, valid EXW DE-46354 Südlohn, DE-38820 Halberstadt, unpacked  
Freight charges valid CPT Romania, islands and oversea territories excluded

# Price List 0424 en-RO

## Environment / Storage



Sump Tray for Skips Type CW	Category	Price	Freight charges	Price including freight charges
CW 3, painted	B	3596,-	on request	on request

Sump Tray Type ECO	Category	Price	Freight charges	Price including freight charges
ECO 1/200, painted	B	237,-	164,-	401,-
ECO 1/200, hot-dip galvanized	B	247,-	164,-	411,-
ECO 2/200, painted	B	252,-	164,-	416,-
ECO 2/200, hot-dip galvanized	B	260,-	164,-	424,-
ECO 4/200, painted	B	275,-	164,-	439,-
ECO 4/200, hot-dip galvanized	B	286,-	164,-	450,-
ECO 4/400, painted	B	342,-	164,-	506,-
ECO 4/400, hot-dip galvanized	B	357,-	164,-	521,-
ECO 1/1000, painted	B	610,-	277,-	887,-
ECO 1/1000, hot-dip galvanized	B	733,-	277,-	1010,-
ECO 2/1000, painted	B	798,-	322,-	1120,-
ECO 2/1000, hot-dip galvanized	B	884,-	322,-	1206,-

Sump Tray Type ECO-A	Category	Price	Freight charges	Price including freight charges
ECO-A 1/1000, painted	B	802,-	277,-	1079,-
ECO-A 1/1000, hot-dip galvanized	B	938,-	277,-	1215,-
ECO-A 2/1000, painted	B	1179,-	456,-	1635,-
ECO-A 2/1000, hot-dip galvanized	B	1295,-	456,-	1751,-

Sump Tray Type ECO-S	Category	Price	Freight charges	Price including freight charges
ECO-S 2/200, hot-dip galvanized	B	3330,-	750,-	4080,-
ECO-S 4/200, hot-dip galvanized	B	3915,-	1125,-	5040,-
ECO-S 4/400, hot-dip galvanized	B	4830,-	1125,-	5955,-

Suspended Sump with Polyethylene Inlay Type EHW PE	Category	Price	Freight charges	Price including freight charges
EHW 1800 PE, painted	B	878,-	277,-	1155,-
EHW 1800 PE, hot-dip galvanized	B	890,-	277,-	1167,-
EHW 2200 PE, painted	B	953,-	277,-	1230,-
EHW 2200 PE, hot-dip galvanized	B	993,-	277,-	1270,-
EHW 2700 PE, painted	B	1105,-	456,-	1561,-
EHW 2700 PE, hot-dip galvanized	B	1170,-	456,-	1626,-
EHW 3300 PE, painted	B	1597,-	456,-	2053,-
EHW 3300 PE, hot-dip galvanized	B	1668,-	456,-	2124,-

Suspended Sump Type EHW	Category	Price	Freight charges	Price including freight charges
EHW 1800, painted	B	491,-	277,-	768,-
EHW 1800, hot-dip galvanized	B	503,-	277,-	780,-
EHW 2200, painted	B	544,-	277,-	821,-
EHW 2200, hot-dip galvanized	B	584,-	277,-	861,-
EHW 2700, painted	B	626,-	227,-	853,-
EHW 2700, hot-dip galvanized	B	692,-	227,-	919,-
EHW 3300, painted	B	968,-	456,-	1424,-

Prices in EUR, valid EXW DE-46354 Südlohn, DE-38820 Halberstadt, unpacked  
Freight charges valid CPT Romania, islands and oversea territories excluded

# Price List 0424 en-R0

## Environment / Storage



Suspended Sump Type EHW	Category	Price	Freight charges	Price including freight charges
EHW 3300, hot-dip galvanized	B	1039,-	456,-	1495,-
EHW 3600, painted	B	1014,-	456,-	1470,-
EHW 3600, hot-dip galvanized	B	1092,-	456,-	1548,-
Drum Pallet Type FP	Category	Price	Freight charges	Price including freight charges
FP 2, hot-dip galvanized	B	88,-	164,-	252,-
Drum Shelve Type FR	Category	Price	Freight charges	Price including freight charges
FR-1, hot-dip galvanized	B	283,-	164,-	447,-
Can Stand Type GS, hot-dip galvanized	B	62,-	18,-	80,-
Clip-on Rotating Support, galvanized	B	82,-	10,-	92,-
FR-2, hot-dip galvanized	B	362,-	164,-	526,-
Can Stand Type GS, hot-dip galvanized	B	62,-	18,-	80,-
Clip-on Rotating Support, galvanized	B	82,-	10,-	92,-
FR-3, hot-dip galvanized	B	404,-	164,-	568,-
Can Stand Type GS, hot-dip galvanized	B	62,-	18,-	80,-
Rotating Support RA 60, hot-dip galvanized	B	93,-	9,-	102,-
Sump Tray Type FRA	Category	Price	Freight charges	Price including freight charges
FRA-1, painted	B	299,-	164,-	463,-
Grid, hot-dip galvanized	B	64,-	16,-	80,-
FRA-1, hot-dip galvanized	B	354,-	164,-	518,-
Grid, hot-dip galvanized	B	64,-	16,-	80,-
FRA-2, painted	B	311,-	164,-	475,-
Grid, hot-dip galvanized	B	127,-	24,-	151,-
FRA-2, hot-dip galvanized	B	365,-	164,-	529,-
Grid, hot-dip galvanized	B	127,-	24,-	151,-
FRA-3, painted	B	311,-	164,-	475,-
Grid, hot-dip galvanized	B	127,-	24,-	151,-
FRA-3, hot-dip galvanized	B	365,-	164,-	529,-
Grid, hot-dip galvanized	B	127,-	24,-	151,-
Drum Shelf Type FRE/M	Category	Price	Freight charges	Price including freight charges
FRE-1/M, hot-dip galvanized	B	217,-	21,-	238,-
Clip-on Rotating Support, galvanized	B	82,-	10,-	92,-
Can Stand Type GS, hot-dip galvanized	B	62,-	18,-	80,-
FRE-2/M, hot-dip galvanized	B	252,-	22,-	274,-
Clip-on Rotating Support, galvanized	B	82,-	10,-	92,-
Can Stand Type GS, hot-dip galvanized	B	62,-	18,-	80,-
FRE-3/M, hot-dip galvanized	B	269,-	27,-	296,-
Rotating Support RA 60, hot-dip galvanized	B	93,-	9,-	102,-
Can Stand Type GS, hot-dip galvanized	B	62,-	18,-	80,-
Can Shelf Type FRE-G/M	Category	Price	Freight charges	Price including freight charges
FRE-G1/M, hot-dip galvanized	B	228,-	27,-	255,-

Prices in EUR, valid EXW DE-46354 Südlohn, DE-38820 Halberstadt, unpacked  
Freight charges valid CPT Romania, islands and oversea territories excluded

# Price List 0424 en-R0

## Environment / Storage



Can Shelf Type FRE-G/M	Category	Price	Freight charges	Price including freight charges
FRE-G2/M, hot-dip galvanized	B	264,-	32,-	296,-
Can Shelf for Small Cans Type FRG	Category	Price	Freight charges	Price including freight charges
FRG, hot-dip galvanized	B	368,-	164,-	532,-
Drum Stacking Pallet Type FSP-D	Category	Price	Freight charges	Price including freight charges
FSP-1 D, lackiert	B	816,-	277,-	1093,-
FSP-1 D, hot-dip galvanized	B	1068,-	277,-	1345,-
FSP-2 D, lackiert	B	870,-	277,-	1147,-
FSP-2 D, hot-dip galvanized	B	1180,-	277,-	1457,-
FSP-4 D, lackiert	B	1130,-	277,-	1407,-
FSP-4 D, hot-dip galvanized	B	1560,-	277,-	1837,-
Drum Stacking Pallet Type FSP-G	Category	Price	Freight charges	Price including freight charges
FSP-1 G, lackiert	B	793,-	277,-	1070,-
FSP-1 G, hot-dip galvanized	B	1052,-	277,-	1329,-
FSP-2 G, painted	B	849,-	277,-	1126,-
FSP-2 G, hot-dip galvanized	B	1156,-	277,-	1433,-
FSP-4 G, painted	B	1109,-	406,-	1515,-
FSP-4 G, hot-dip galvanized	B	1533,-	406,-	1939,-
Drum Stacking Pallet Type FSP	Category	Price	Freight charges	Price including freight charges
FSP-1, painted	B	467,-	164,-	631,-
FSP-1, hot-dip galvanized	B	702,-	277,-	979,-
FSP-2, painted	B	632,-	277,-	909,-
FSP-2, hot-dip galvanized	B	882,-	277,-	1159,-
FSP-4, painted	B	720,-	277,-	997,-
FSP-4, hot-dip galvanized	B	1112,-	277,-	1389,-
Hazardous Materials Depot Type GD-A	Category	Price	Freight charges	Price including freight charges
GD-A, painted	C	736,-	277,-	1013,-
Drum Support FA 60-1, hot-dip galvanized	B	105,-	15,-	120,-
Drum Support FA 60-2, hot-dip galvanized	B	114,-	18,-	132,-
Drum Support FA 60-3, hot-dip galvanized	B	133,-	21,-	154,-
Can Shelf Type GR-A, galvanized	B	133,-	118,-	251,-
Can Shelf Type GR-B, galvanized	B	133,-	118,-	251,-
Can Shelf Type GR-C, galvanized	B	133,-	118,-	251,-
GD-A, hot-dip galvanized	C	927,-	277,-	1204,-
Drum Support FA 60-1, hot-dip galvanized	B	105,-	15,-	120,-
Drum Support FA 60-2, hot-dip galvanized	B	114,-	18,-	132,-
Drum Support FA 60-3, hot-dip galvanized	B	133,-	21,-	154,-
Can Shelf Type GR-A, galvanized	B	133,-	118,-	251,-
Can Shelf Type GR-B, galvanized	B	133,-	118,-	251,-
Can Shelf Type GR-C, galvanized	B	133,-	118,-	251,-

Prices in EUR, valid EXW DE-46354 Südlohn, DE-38820 Halberstadt, unpacked  
Freight charges valid CPT Romania, islands and oversea territories excluded

# Price List 0424 en-RO

## Environment / Storage



Hazardous Materials Depot Type GD-B	Category	Price	Freight charges	Price including freight charges
<b>GD-B, painted</b>	C	1316,-	277,-	1593,-
Drum Support FA 60-1, hot-dip galvanized	B	105,-	15,-	120,-
Drum Support FA 60-2, hot-dip galvanized	B	114,-	18,-	132,-
Drum Support FA 60-3, hot-dip galvanized	B	133,-	21,-	154,-
Can Shelf Type GR-A, galvanized	B	133,-	118,-	251,-
Can Shelf Type GR-B, galvanized	B	133,-	118,-	251,-
Can Shelf Type GR-C, galvanized	B	133,-	118,-	251,-
<b>GD-B, hot-dip galvanized</b>	C	1570,-	277,-	1847,-
Drum Support FA 60-1, hot-dip galvanized	B	105,-	15,-	120,-
Drum Support FA 60-2, hot-dip galvanized	B	114,-	18,-	132,-
Drum Support FA 60-3, hot-dip galvanized	B	133,-	21,-	154,-
Can Shelf Type GR-A, galvanized	B	133,-	118,-	251,-
Can Shelf Type GR-B, galvanized	B	133,-	118,-	251,-
Can Shelf Type GR-C, galvanized	B	133,-	118,-	251,-
Hazardous Materials Depot Type GD-C	Category	Price	Freight charges	Price including freight charges
<b>GD-C, painted</b>	C	1123,-	277,-	1400,-
Drum Support FA 60-1, hot-dip galvanized	B	105,-	15,-	120,-
Drum Support FA 60-2, hot-dip galvanized	B	114,-	18,-	132,-
Drum Support FA 60-3, hot-dip galvanized	B	133,-	21,-	154,-
Can Shelf Type GR-A, galvanized	B	133,-	118,-	251,-
Can Shelf Type GR-B, galvanized	B	133,-	118,-	251,-
Can Shelf Type GR-C, galvanized	B	133,-	118,-	251,-
<b>GD-C, hot-dip galvanized</b>	C	1269,-	277,-	1546,-
Drum Support FA 60-1, hot-dip galvanized	B	105,-	15,-	120,-
Drum Support FA 60-2, hot-dip galvanized	B	114,-	18,-	132,-
Drum Support FA 60-3, hot-dip galvanized	B	133,-	21,-	154,-
Can Shelf Type GR-A, galvanized	B	133,-	118,-	251,-
Can Shelf Type GR-B, galvanized	B	133,-	118,-	251,-
Can Shelf Type GR-C, galvanized	B	133,-	118,-	251,-
Hazardous Materials Depot Type GD-E	Category	Price	Freight charges	Price including freight charges
<b>GD-E 2, galvanized</b>	C	1509,-	406,-	1915,-
Drum Support FA 60-1, hot-dip galvanized	B	105,-	15,-	120,-
Drum Support FA 60-2, hot-dip galvanized	B	114,-	18,-	132,-
Drum Support FA 60-3, hot-dip galvanized	B	133,-	21,-	154,-
Can Shelf Type GR-A, galvanized	B	133,-	118,-	251,-
Can Shelf Type GR-B, galvanized	B	133,-	118,-	251,-
Can Shelf Type GR-C, galvanized	B	133,-	118,-	251,-
<b>GD-E 4, galvanized</b>	C	1842,-	491,-	2333,-
Drum Support FA 60-1, hot-dip galvanized	B	105,-	15,-	120,-
Drum Support FA 60-2, hot-dip galvanized	B	114,-	18,-	132,-
Drum Support FA 60-3, hot-dip galvanized	B	133,-	21,-	154,-
Can Shelf Type GR-A, galvanized	B	133,-	118,-	251,-
Can Shelf Type GR-B, galvanized	B	133,-	118,-	251,-

Prices in EUR, valid EXW DE-46354 Südlohn, DE-38820 Halberstadt, unpacked  
Freight charges valid CPT Romania, islands and oversea territories excluded



# Price List 0424 en-R0

## Environment / Storage



Hazardous Materials Depot Type GD-E	Category	Price	Freight charges	Price including freight charges
Can Shelf Type GR-C, galvanized	B	133,-	118,-	251,-

Hazardous Materials Depot Type GD-E/IBC	Category	Price	Freight charges	Price including freight charges
GD-E/IBC, galvanized	C	2286,-	1377,-	3663,-
GD-E/IBC-2, galvanized	C	3431,-	456,-	3887,-

Hazardous Materials Depot Type GD-N	Category	Price	Freight charges	Price including freight charges
GD-N 2, galvanized	C	1315,-	406,-	1721,-
Intermediate Storage Level ZB, galvanized, for Hazardous Materials Depot	C	102,-	18,-	120,-
Drum Support FA 60-1, hot-dip galvanized	B	105,-	15,-	120,-
Can Shelf Type GR-A, galvanized	B	133,-	118,-	251,-
Can Shelf Type GR-B, galvanized	B	133,-	118,-	251,-
Can Shelf Type GR-C, galvanized	B	133,-	118,-	251,-
GD-N 4, galvanized	C	1639,-	406,-	2045,-
Intermediate Storage Level ZB, galvanized, for Hazardous Materials Depot	C	102,-	18,-	120,-
Drum Support FA 60-1, hot-dip galvanized	B	105,-	15,-	120,-
Drum Support FA 60-2, hot-dip galvanized	B	114,-	18,-	132,-
Drum Support FA 200-1, hot-dip galvanized	B	114,-	15,-	129,-
Drum Support FA 200-2, hot-dip galvanized	B	133,-	22,-	155,-
Can Shelf Type GR-A, galvanized	B	133,-	118,-	251,-
Can Shelf Type GR-B, galvanized	B	133,-	118,-	251,-
Can Shelf Type GR-C, galvanized	B	133,-	118,-	251,-

Hazardous Materials Depot Type GD-N/R	Category	Price	Freight charges	Price including freight charges
GD-N/R 2, galvanized	C	1509,-	406,-	1915,-
Intermediate Storage Level ZB, galvanized, for Hazardous Materials Depot	C	102,-	18,-	120,-
Drum Support FA 60-1, hot-dip galvanized	B	105,-	15,-	120,-
Can Shelf Type GR-A, galvanized	B	133,-	118,-	251,-
Can Shelf Type GR-B, galvanized	B	133,-	118,-	251,-
Can Shelf Type GR-C, galvanized	B	133,-	118,-	251,-
GD-N/R 4, galvanized	C	1836,-	406,-	2242,-
Intermediate Storage Level ZB, galvanized, for Hazardous Materials Depot	C	102,-	18,-	120,-
Drum Support FA 60-1, hot-dip galvanized	B	105,-	15,-	120,-
Drum Support FA 60-2, hot-dip galvanized	B	114,-	18,-	132,-
Drum Support FA 200-1, hot-dip galvanized	B	114,-	15,-	129,-
Drum Support FA 200-2, hot-dip galvanized	B	133,-	22,-	155,-
Can Shelf Type GR-A, galvanized	B	133,-	118,-	251,-
Can Shelf Type GR-B, galvanized	B	133,-	118,-	251,-
Can Shelf Type GR-C, galvanized	B	133,-	118,-	251,-

Gas Cylinder Containers Type GFC	Category	Price	Freight charges	Price including freight charges
GFC-1 (grid floor), painted	B	4596,-	on request	on request
Access Ramp for Gas Cylinder Container GFC, hot-dip galvanized	B	157,-	22,-	179,-
GFC-2 (stud plate floor), painted	B	4665,-	on request	on request
Access Ramp for Gas Cylinder Container GFC, hot-dip galvanized	B	157,-	22,-	179,-

Prices in EUR, valid EXW DE-46354 Südlohn, DE-38820 Halberstadt, unpacked  
Freight charges valid CPT Romania, islands and oversea territories excluded

# Price List 0424 en-R0

## Environment / Storage



Gas Cylinder Containers Type GFC-B	Category	Price	Freight charges	Price including freight charges
<b>GFC-B M0, painted</b>	B	3290,-	1377,-	4667,-
Fixture with Safety Chain to Secure Gas Cylinders, hot-dip galvanized	B	69,-	12,-	81,-
<b>GFC-B M1, painted</b>	B	3815,-	1459,-	5274,-
Fixture with Safety Chain to Secure Gas Cylinders, hot-dip galvanized	B	69,-	12,-	81,-
<b>GFC-B M2, painted</b>	B	3974,-	1459,-	5433,-
Fixture with Safety Chain to Secure Gas Cylinders, hot-dip galvanized	B	69,-	12,-	81,-
Rack for Gas Cylinders Type GFG, galvanized	B	197,-	164,-	361,-
<b>GFC-B M3, painted</b>	B	4600,-	1459,-	6059,-
Fixture with Safety Chain to Secure Gas Cylinders, hot-dip galvanized	B	69,-	12,-	81,-
Rack for Gas Cylinders Type GFG, galvanized	B	197,-	164,-	361,-
<b>GFC-B M4, painted</b>	B	5173,-	1525,-	6698,-
Fixture with Safety Chain to Secure Gas Cylinders, hot-dip galvanized	B	69,-	12,-	81,-
Rack for Gas Cylinders Type GFG, galvanized	B	197,-	164,-	361,-
<b>GFC-B M5, painted</b>	B	7187,-	1525,-	8712,-
Fixture with Safety Chain to Secure Gas Cylinders, hot-dip galvanized	B	69,-	12,-	81,-
Rack for Gas Cylinders Type GFG, galvanized	B	197,-	164,-	361,-

Gas Cylinder Containers Type GFC-B/W	Category	Price	Freight charges	Price including freight charges
<b>GFC-B/W M1, painted</b>	B	4073,-	1459,-	5532,-
Fixture with Safety Chain to Secure Gas Cylinders, hot-dip galvanized	B	69,-	12,-	81,-
<b>GFC-B/W M2, painted</b>	B	4271,-	1459,-	5730,-
Fixture with Safety Chain to Secure Gas Cylinders, hot-dip galvanized	B	69,-	12,-	81,-
<b>GFC-B/W M3, painted</b>	B	4904,-	1459,-	6363,-
Fixture with Safety Chain to Secure Gas Cylinders, hot-dip galvanized	B	69,-	12,-	81,-
<b>GFC-B/W M4, painted</b>	B	5483,-	1525,-	7008,-
Fixture with Safety Chain to Secure Gas Cylinders, hot-dip galvanized	B	69,-	12,-	81,-
Rack for Gas Cylinders Type GFG, galvanized	B	197,-	164,-	361,-
<b>GFC-B/W M5, painted</b>	B	7578,-	1525,-	9103,-
Fixture with Safety Chain to Secure Gas Cylinders, hot-dip galvanized	B	69,-	12,-	81,-
Rack for Gas Cylinders Type GFG, galvanized	B	197,-	164,-	361,-

Gas Cylinder Containers Type GFC-E/G	Category	Price	Freight charges	Price including freight charges
<b>GFC-E/G M0, hot-dip galvanized</b>	B	1487,-	406,-	1893,-
Fixture with Safety Chain to Secure Gas Cylinders, hot-dip galvanized	B	38,-	12,-	50,-
<b>GFC-E/G M1, hot-dip galvanized</b>	B	2116,-	1459,-	3575,-
Fixture with Safety Chain to Secure Gas Cylinders, hot-dip galvanized	B	38,-	12,-	50,-
Rack for Gas Cylinders Type GFG, galvanized	B	197,-	164,-	361,-
Access Ramp AR, galvanized	B	157,-	22,-	179,-
Central Dividing Wall, galvanized	B	84,-	22,-	106,-
<b>GFC-E/G M2, hot-dip galvanized</b>	B	2319,-	1459,-	3778,-
Fixture with Safety Chain to Secure Gas Cylinders, hot-dip galvanized	B	38,-	12,-	50,-
Rack for Gas Cylinders Type GFG, galvanized	B	197,-	164,-	361,-
Access Ramp AR, galvanized	B	157,-	22,-	179,-
Central Dividing Wall, galvanized	B	124,-	32,-	156,-
<b>GFC-E/G M3, hot-dip galvanized</b>	B	2580,-	1459,-	4039,-

Prices in EUR, valid EXW DE-46354 Südlohn, DE-38820 Halberstadt, unpacked  
Freight charges valid CPT Romania, islands and oversea territories excluded

# Price List 0424 en-R0

## Environment / Storage



Gas Cylinder Containers Type GFC-E/G	Category	Price	Freight charges	Price including freight charges
Fixture with Safety Chain to Secure Gas Cylinders, hot-dip galvanized	B	38,-	12,-	50,-
Rack for Gas Cylinders Type GFG, galvanized	B	197,-	164,-	361,-
Access Ramp AR, galvanized	B	157,-	22,-	179,-
Central Dividing Wall, galvanized	B	124,-	32,-	156,-
<b>GFC-E/G M4, hot-dip galvanized</b>	B	2797,-	1525,-	4322,-
Fixture with Safety Chain to Secure Gas Cylinders, hot-dip galvanized	B	38,-	12,-	50,-
Rack for Gas Cylinders Type GFG, galvanized	B	197,-	164,-	361,-
Access Ramp AR, galvanized	B	157,-	22,-	179,-
Central Dividing Wall, galvanized	B	124,-	32,-	156,-
<b>GFC-E/G M5, hot-dip galvanized</b>	B	3465,-	1525,-	4990,-
Fixture with Safety Chain to Secure Gas Cylinders, hot-dip galvanized	B	38,-	12,-	50,-
Rack for Gas Cylinders Type GFG, galvanized	B	197,-	164,-	361,-
Access Ramp AR, galvanized	B	157,-	22,-	179,-
Central Dividing Wall, galvanized	B	184,-	40,-	224,-

Gas Cylinder Containers Type GFC-E/T	Category	Price	Freight charges	Price including freight charges
<b>GFC-E/T M0, hot-dip galvanized</b>	B	1507,-	406,-	1913,-
Fixture with Safety Chain to Secure Gas Cylinders, hot-dip galvanized	B	38,-	12,-	50,-
<b>GFC-E/T M1, hot-dip galvanized</b>	B	2153,-	1459,-	3612,-
Fixture with Safety Chain to Secure Gas Cylinders, hot-dip galvanized	B	38,-	12,-	50,-
Rack for Gas Cylinders Type GFG, galvanized	B	197,-	164,-	361,-
Access Ramp AR, galvanized	B	157,-	22,-	179,-
Central Dividing Wall, galvanized	B	84,-	22,-	106,-
<b>GFC-E/T M2, hot-dip galvanized</b>	B	2365,-	1459,-	3824,-
Fixture with Safety Chain to Secure Gas Cylinders, hot-dip galvanized	B	38,-	12,-	50,-
Rack for Gas Cylinders Type GFG, galvanized	B	197,-	164,-	361,-
Access Ramp AR, galvanized	B	157,-	22,-	179,-
Central Dividing Wall, galvanized	B	124,-	32,-	156,-
<b>GFC-E/T M3, hot-dip galvanized</b>	B	2644,-	1459,-	4103,-
Fixture with Safety Chain to Secure Gas Cylinders, hot-dip galvanized	B	38,-	12,-	50,-
Rack for Gas Cylinders Type GFG, galvanized	B	197,-	164,-	361,-
Access Ramp AR, galvanized	B	157,-	22,-	179,-
Central Dividing Wall, galvanized	B	124,-	32,-	156,-
<b>GFC-E/T M4, hot-dip galvanized</b>	B	2859,-	1525,-	4384,-
Fixture with Safety Chain to Secure Gas Cylinders, hot-dip galvanized	B	38,-	12,-	50,-
Rack for Gas Cylinders Type GFG, galvanized	B	197,-	164,-	361,-
Access Ramp AR, galvanized	B	157,-	22,-	179,-
Central Dividing Wall, galvanized	B	124,-	32,-	156,-
<b>GFC-E/T M5, hot-dip galvanized</b>	B	3553,-	1525,-	5078,-
Fixture with Safety Chain to Secure Gas Cylinders, hot-dip galvanized	B	38,-	12,-	50,-
Rack for Gas Cylinders Type GFG, galvanized	B	197,-	164,-	361,-
Access Ramp AR, galvanized	B	157,-	22,-	179,-
Central Dividing Wall, galvanized	B	184,-	40,-	224,-

Prices in EUR, valid EXW DE-46354 Südlohn, DE-38820 Halberstadt, unpacked  
Freight charges valid CPT Romania, islands and oversea territories excluded

# Price List 0424 en-RO

## Environment / Storage



Gas Cylinder Containers Type GFC-M/D	Category	Price	Freight charges	Price including freight charges
<b>GFC-M0/D, hot-dip galvanized</b>	B	993,-	277,-	1270,-
Grid Floor for Gas Cylinder Container GFC-M0, hot-dip galvanized	B	146,-	72,-	218,-
Fixture with Safety Chain to Secure Gas Cylinders, hot-dip galvanized	B	38,-	12,-	50,-
<b>GFC-M1/D, hot-dip galvanized</b>	B	1204,-	406,-	1610,-
Grid Floor for Gas Cylinder Container GFC-M1, hot-dip galvanized	B	264,-	164,-	428,-
Fixture with Safety Chain to Secure Gas Cylinders, hot-dip galvanized	B	38,-	12,-	50,-
Rack for Gas Cylinders Type GFG, galvanized	B	197,-	164,-	361,-
<b>GFC-M2/D, hot-dip galvanized</b>	B	1282,-	406,-	1688,-
Grid Floor for Gas Cylinder Container GFC-M2, hot-dip galvanized	B	362,-	164,-	526,-
Fixture with Safety Chain to Secure Gas Cylinders, hot-dip galvanized	B	38,-	12,-	50,-
Rack for Gas Cylinders Type GFG, galvanized	B	197,-	164,-	361,-
<b>GFC-M3/D, hot-dip galvanized</b>	B	1447,-	406,-	1853,-
Grid Floor for Gas Cylinder Container GFC-M3, hot-dip galvanized	B	492,-	277,-	769,-
Fixture with Safety Chain to Secure Gas Cylinders, hot-dip galvanized	B	38,-	12,-	50,-
Rack for Gas Cylinders Type GFG, galvanized	B	197,-	164,-	361,-
<b>GFC-M4/D, hot-dip galvanized</b>	B	1546,-	406,-	1952,-
Grid Floor for Gas Cylinder Container GFC-M4, hot-dip galvanized	B	605,-	277,-	882,-
Fixture with Safety Chain to Secure Gas Cylinders, hot-dip galvanized	B	38,-	12,-	50,-
Rack for Gas Cylinders Type GFG, galvanized	B	197,-	164,-	361,-
<b>GFC-M5/D, hot-dip galvanized</b>	B	1838,-	491,-	2329,-
Grid Floor for Gas Cylinder Container GFC-M5, hot-dip galvanized	B	739,-	277,-	1016,-
Fixture with Safety Chain to Secure Gas Cylinders, hot-dip galvanized	B	38,-	12,-	50,-
Rack for Gas Cylinders Type GFG, galvanized	B	197,-	164,-	361,-
<b>Gas Cylinder Containers Type GFC-M</b>	<b>Category</b>	<b>Price</b>	<b>Freight charges</b>	<b>Price including freight charges</b>
<b>GFC-M1, hot-dip galvanized</b>	B	1063,-	277,-	1340,-
Grid Floor for Gas Cylinder Container GFC-M1, hot-dip galvanized	B	264,-	164,-	428,-
Fixture with Safety Chain to Secure Gas Cylinders, hot-dip galvanized	B	38,-	12,-	50,-
Rack for Gas Cylinders Type GFG, galvanized	B	197,-	164,-	361,-
<b>GFC-M2, hot-dip galvanized</b>	B	1129,-	406,-	1535,-
Grid Floor for Gas Cylinder Container GFC-M2, hot-dip galvanized	B	362,-	164,-	526,-
Fixture with Safety Chain to Secure Gas Cylinders, hot-dip galvanized	B	38,-	12,-	50,-
Rack for Gas Cylinders Type GFG, galvanized	B	197,-	164,-	361,-
<b>GFC-M3, hot-dip galvanized</b>	B	1267,-	406,-	1673,-
Grid Floor for Gas Cylinder Container GFC-M3, hot-dip galvanized	B	492,-	277,-	769,-
Fixture with Safety Chain to Secure Gas Cylinders, hot-dip galvanized	B	38,-	12,-	50,-
Rack for Gas Cylinders Type GFG, galvanized	B	197,-	164,-	361,-
<b>GFC-M4, hot-dip galvanized</b>	B	1333,-	406,-	1739,-
Grid Floor for Gas Cylinder Container GFC-M4, hot-dip galvanized	B	605,-	277,-	882,-
Fixture with Safety Chain to Secure Gas Cylinders, hot-dip galvanized	B	38,-	12,-	50,-
Rack for Gas Cylinders Type GFG, galvanized	B	197,-	164,-	361,-
<b>GFC-M5, hot-dip galvanized</b>	B	1547,-	406,-	1953,-
Grid Floor for Gas Cylinder Container GFC-M5, hot-dip galvanized	B	739,-	277,-	1016,-
Fixture with Safety Chain to Secure Gas Cylinders, hot-dip galvanized	B	38,-	12,-	50,-
Rack for Gas Cylinders Type GFG, galvanized	B	197,-	164,-	361,-

Prices in EUR, valid EXW DE-46354 Südlohn, DE-38820 Halberstadt, unpacked  
Freight charges valid CPT Romania, islands and oversea territories excluded

# Price List 0424 en-RO

## Environment / Storage



Gas Cylinder Containers Type GFC-M/D-DF	Category	Price	Freight charges	Price including freight charges
<b>GFC-M1/D-DF, hot-dip galvanized</b>	B	1375,-	406,-	1781,-
Grid Floor for Gas Cylinder Container GFC-M1, hot-dip galvanized	B	264,-	164,-	428,-
Fixture with Safety Chain to Secure Gas Cylinders, hot-dip galvanized	B	38,-	12,-	50,-
Rack for Gas Cylinders Type GFG, galvanized	B	197,-	164,-	361,-
<b>GFC-M2/D-DF, hot-dip galvanized</b>	B	1452,-	406,-	1858,-
Grid Floor for Gas Cylinder Container GFC-M2, hot-dip galvanized	B	362,-	164,-	526,-
Fixture with Safety Chain to Secure Gas Cylinders, hot-dip galvanized	B	38,-	12,-	50,-
Rack for Gas Cylinders Type GFG, galvanized	B	197,-	164,-	361,-
<b>GFC-M3/D-DF, hot-dip galvanized</b>	B	1618,-	406,-	2024,-
Grid Floor for Gas Cylinder Container GFC-M3, hot-dip galvanized	B	492,-	277,-	769,-
Fixture with Safety Chain to Secure Gas Cylinders, hot-dip galvanized	B	38,-	12,-	50,-
Rack for Gas Cylinders Type GFG, galvanized	B	197,-	164,-	361,-
<b>GFC-M4/D-DF, hot-dip galvanized</b>	B	1748,-	491,-	2239,-
Grid Floor for Gas Cylinder Container GFC-M4, hot-dip galvanized	B	605,-	277,-	882,-
Fixture with Safety Chain to Secure Gas Cylinders, hot-dip galvanized	B	38,-	12,-	50,-
Rack for Gas Cylinders Type GFG, galvanized	B	197,-	164,-	361,-
<b>GFC-M5/D-DF, hot-dip galvanized</b>	B	2040,-	491,-	2531,-
Grid Floor for Gas Cylinder Container GFC-M5, hot-dip galvanized	B	739,-	277,-	1016,-
Fixture with Safety Chain to Secure Gas Cylinders, hot-dip galvanized	B	38,-	12,-	50,-
Rack for Gas Cylinders Type GFG, galvanized	B	197,-	164,-	361,-
Gas Cylinder Containers Type GFC-M-DF	Category	Price	Freight charges	Price including freight charges
<b>GFC-M1-DF, hot-dip galvanized</b>	B	1232,-	277,-	1509,-
Grid Floor for Gas Cylinder Container GFC-M1, hot-dip galvanized	B	264,-	164,-	428,-
Fixture with Safety Chain to Secure Gas Cylinders, hot-dip galvanized	B	38,-	12,-	50,-
Rack for Gas Cylinders Type GFG, galvanized	B	197,-	164,-	361,-
<b>GFC-M2-DF, hot-dip galvanized</b>	B	1300,-	406,-	1706,-
Grid Floor for Gas Cylinder Container GFC-M2, hot-dip galvanized	B	362,-	164,-	526,-
Fixture with Safety Chain to Secure Gas Cylinders, hot-dip galvanized	B	38,-	12,-	50,-
Rack for Gas Cylinders Type GFG, galvanized	B	197,-	164,-	361,-
<b>GFC-M3-DF, hot-dip galvanized</b>	B	1439,-	406,-	1845,-
Grid Floor for Gas Cylinder Container GFC-M3, hot-dip galvanized	B	492,-	277,-	769,-
Fixture with Safety Chain to Secure Gas Cylinders, hot-dip galvanized	B	38,-	12,-	50,-
Rack for Gas Cylinders Type GFG, galvanized	B	197,-	164,-	361,-
<b>GFC-M4-DF, hot-dip galvanized</b>	B	1537,-	406,-	1943,-
Grid Floor for Gas Cylinder Container GFC-M4, hot-dip galvanized	B	605,-	277,-	882,-
Fixture with Safety Chain to Secure Gas Cylinders, hot-dip galvanized	B	38,-	12,-	50,-
Rack for Gas Cylinders Type GFG, galvanized	B	197,-	164,-	361,-
<b>GFC-M5-DF, hot-dip galvanized</b>	B	1750,-	491,-	2241,-
Grid Floor for Gas Cylinder Container GFC-M5, hot-dip galvanized	B	739,-	277,-	1016,-
Fixture with Safety Chain to Secure Gas Cylinders, hot-dip galvanized	B	38,-	12,-	50,-
Rack for Gas Cylinders Type GFG, galvanized	B	197,-	164,-	361,-
Gas Cylinder Depot Type GFD-G	Category	Price	Freight charges	Price including freight charges
<b>GFD-G 1, galvanized</b>	B	414,-	277,-	691,-

Prices in EUR, valid EXW DE-46354 Südlohn, DE-38820 Halberstadt, unpacked  
Freight charges valid CPT Romania, islands and oversea territories excluded

# Price List 0424 en-R0

## Environment / Storage



Gas Cylinder Depot Type GFD-G	Category	Price	Freight charges	Price including freight charges
GFD-G 2, galvanized	B	763,-	277,-	1040,-
Gas Cylinder Depot Type GFD-L	Category	Price	Freight charges	Price including freight charges
GFD-L 1, galvanized	B	446,-	164,-	610,-
GFD-L 2, galvanized	B	850,-	277,-	1127,-
Gas Cylinder Depot Type GFD-R	Category	Price	Freight charges	Price including freight charges
GFD-R 2, painted	B	747,-	164,-	911,-
GFD-R 2, hot-dip galvanized	B	771,-	164,-	935,-
GFD-R 4, painted	B	849,-	164,-	1013,-
GFD-R 4, hot-dip galvanized	B	878,-	164,-	1042,-
Hazardous Materials Cabinet Type GS	Category	Price	Freight charges	Price including freight charges
GS-1, painted	B	762,-	277,-	1039,-
Intermediate Storage Level, galvanized	B	86,-	14,-	100,-
GS-1, hot-dip galvanized	B	820,-	277,-	1097,-
Intermediate Storage Level, galvanized	B	86,-	14,-	100,-
GS-2, painted	B	1013,-	406,-	1419,-
Intermediate Storage Level, galvanized	B	86,-	14,-	100,-
GS-2, hot-dip galvanized	B	1100,-	406,-	1506,-
Intermediate Storage Level, galvanized	B	86,-	14,-	100,-
GS-3, painted	B	2070,-	491,-	2561,-
GS-3, hot-dip galvanized	B	2217,-	491,-	2708,-
GS-4, painted	B	2081,-	1377,-	3458,-
GS-4, hot-dip galvanized	B	2260,-	1377,-	3637,-
Gas Cylinder Wall Bracket Type GWH	Category	Price	Freight charges	Price including freight charges
GWH 140-I, hot-dip galvanized	F	25,-	118,-	143,-
GWH 140-II, hot-dip galvanized	F	38,-	118,-	156,-
GWH 140-III, hot-dip galvanized	F	57,-	118,-	175,-
GWH 230-I, hot-dip galvanized	F	27,-	118,-	145,-
GWH 230-II, hot-dip galvanized	F	41,-	118,-	159,-
GWH 230-III, hot-dip galvanized	F	62,-	118,-	180,-
GWH 320-I, hot-dip galvanized	F	28,-	118,-	146,-
GWH 320-II, hot-dip galvanized	F	46,-	118,-	164,-
GWH 320-III, hot-dip galvanized	F	69,-	118,-	187,-
Tilting Canister Stand Type KAH	Category	Price	Freight charges	Price including freight charges
KAH-5, galvanized	A	92,-	118,-	210,-
KAH-25, galvanized	A	105,-	118,-	223,-
KAH-60, galvanized	A	135,-	118,-	253,-
Spill Tray for Canisters/Small Cans Type KGW	Category	Price	Freight charges	Price including freight charges
KGW 1, galvanized	B	88,-	118,-	206,-
KGW 1 V4A, stainless steel 1.4571	B	270,-	118,-	388,-

Prices in EUR, valid EXW DE-46354 Südlohn, DE-38820 Halberstadt, unpacked  
Freight charges valid CPT Romania, islands and oversea territories excluded

# Price List 0424 en-R0

## Environment / Storage



Spill Tray for Canisters/Small Cans Type KGW	Category	Price	Freight charges	Price including freight charges
KGW 2, galvanized	B	92,-	118,-	210,-
KGW 2 V4A, stainless steel 1.4571	B	311,-	118,-	429,-
KGW 3, galvanized	B	96,-	118,-	214,-
KGW 3 V4A, stainless steel 1.4571	B	386,-	118,-	504,-
KGW 4, galvanized	B	113,-	164,-	277,-
KGW 4 V4A, stainless steel 1.4571	B	456,-	164,-	620,-
KGW 5, galvanized	B	155,-	164,-	319,-
KGW 5 V4A, stainless steel 1.4571	B	593,-	164,-	757,-

Spill Tray for Canisters/Small Cans Type KGW/M	Category	Price	Freight charges	Price including freight charges
KGW 1/M, galvanized	B	124,-	118,-	242,-
KGW 1/M V4A, stainless steel 1.4571	B	406,-	118,-	524,-
KGW 2/M, galvanized	B	132,-	118,-	250,-
KGW 2/M V4A, stainless steel 1.4571	B	468,-	118,-	586,-
KGW 3/M, galvanized	B	151,-	118,-	269,-
KGW 3/M V4A, stainless steel 1.4571	B	589,-	118,-	707,-
KGW 4/M, galvanized	B	175,-	164,-	339,-
KGW 4/M V4A, stainless steel 1.4571	B	705,-	164,-	869,-
KGW 5/M, galvanized	B	227,-	164,-	391,-
KGW 5/M V4A, stainless steel 1.4571	B	929,-	164,-	1093,-

Spill Tray for Canisters/Small Cans on Pallets Type KGW-P	Category	Price	Freight charges	Price including freight charges
KGW-P 1, galvanized	B	94,-	118,-	212,-
KGW-P 1 V4A, stainless steel 1.4571	B	266,-	118,-	384,-
KGW-P 2, galvanized	B	142,-	118,-	260,-
KGW-P 2 V4A, stainless steel 1.4571	B	382,-	118,-	500,-
KGW-P 3, galvanized	B	178,-	164,-	342,-
KGW-P 3 V4A, stainless steel 1.4571	B	586,-	118,-	704,-
KGW-P 4, galvanized	B	169,-	118,-	287,-
KGW-P 4 V4A, stainless steel 1.4571	B	450,-	118,-	568,-

Spill Tray for Canisters/Small Cans on Pallets Type KGW-P/M	Category	Price	Freight charges	Price including freight charges
KGW-P 1/M, galvanized	B	137,-	118,-	255,-
KGW-P 1/M V4A, stainless steel 1.4571	B	385,-	118,-	503,-
KGW-P 2/M, galvanized	B	210,-	118,-	328,-
KGW-P 2/M V4A, stainless steel 1.4571	B	559,-	118,-	677,-
KGW-P 3/M, galvanized	B	256,-	164,-	420,-
KGW-P 3/M V4A, stainless steel 1.4571	B	864,-	164,-	1028,-
KGW-P 4/M, galvanized	B	241,-	118,-	359,-
KGW-P 4/M V4A, stainless steel 1.4571	B	694,-	118,-	812,-

Diesel Filling Point Type KPS	Category	Price	Freight charges	Price including freight charges
KPS 1, painted	B	2865,-	on request	on request
KPS 2, painted	B	3723,-	on request	on request
KPS 3, painted	B	5248,-	on request	on request

Prices in EUR, valid EXW DE-46354 Südlohn, DE-38820 Halberstadt, unpacked  
Freight charges valid CPT Romania, islands and oversea territories excluded

# Price List 0424 en-R0

## Environment / Storage



Polyethylene Sump Tray for Pallets Type KWP-P	Category	Price	Freight charges	Price including freight charges
<b>KWP-P 20, made of robust polyethylene</b>	B	46,-	118,-	164,-
Deck with Punched Holes LR-PE 20, robust polyethylene, black	B	61,-	14,-	75,-
<b>KWP-P 30, made of robust polyethylene</b>	B	56,-	118,-	174,-
Deck with Punched Holes LR-PE 30, robust polyethylene, black	B	63,-	14,-	77,-
<b>KWP-P 40, made of robust polyethylene</b>	B	62,-	118,-	180,-
Deck with Punched Holes LR-PE 40, robust polyethylene, black	B	67,-	14,-	81,-
<b>KWP-P 60, made of robust polyethylene</b>	B	99,-	118,-	217,-
Deck with punched holes LR-PE 60, robust polyethylene, black	B	70,-	14,-	84,-
<b>KWP-P 100, made of robust polyethylene</b>	B	113,-	164,-	277,-
Deck with punched holes LR-PE 100, robust polyethylene, black	B	86,-	16,-	102,-

Mobile Sump Tray with Perforated Panel Type LPW	Category	Price	Freight charges	Price including freight charges
<b>LPW 60-1, painted</b>	B	605,-	164,-	769,-
Tool Deposit for Sump Trays with Perforated Panel Type LPW	B	30,-	16,-	46,-
Drip Tray for Sump Trays with Perforated Panel Type LPW	B	48,-	16,-	64,-
<b>LPW 60-1, hot-dip galvanized</b>	B	623,-	164,-	787,-
Tool Deposit for Sump Trays with Perforated Panel Type LPW	B	30,-	16,-	46,-
Drip Tray for Sump Trays with Perforated Panel Type LPW	B	48,-	16,-	64,-
<b>LPW 60-2, painted</b>	B	618,-	164,-	782,-
Tool Deposit for Sump Trays with Perforated Panel Type LPW	B	30,-	16,-	46,-
Drip Tray for Sump Trays with Perforated Panel Type LPW	B	48,-	16,-	64,-
<b>LPW 60-2, hot-dip galvanized</b>	B	638,-	164,-	802,-
Tool Deposit for Sump Trays with Perforated Panel Type LPW	B	30,-	16,-	46,-
Drip Tray for Sump Trays with Perforated Panel Type LPW	B	48,-	16,-	64,-
<b>LPW 60-3, painted</b>	B	624,-	164,-	788,-
Tool Deposit for Sump Trays with Perforated Panel Type LPW	B	30,-	16,-	46,-
Drip Tray for Sump Trays with Perforated Panel Type LPW	B	48,-	16,-	64,-
<b>LPW 60-3, hot-dip galvanized</b>	B	644,-	164,-	808,-
Tool Deposit for Sump Trays with Perforated Panel Type LPW	B	30,-	16,-	46,-
Drip Tray for Sump Trays with Perforated Panel Type LPW	B	48,-	16,-	64,-
<b>LPW 200-1, painted</b>	B	794,-	277,-	1071,-
Tool Deposit for Sump Trays with Perforated Panel Type LPW	B	30,-	16,-	46,-
Drip Tray for Sump Trays with Perforated Panel Type LPW	B	48,-	16,-	64,-
<b>LPW 200-1, hot-dip galvanized</b>	B	827,-	277,-	1104,-
Tool Deposit for Sump Trays with Perforated Panel Type LPW	B	30,-	16,-	46,-
Drip Tray for Sump Trays with Perforated Panel Type LPW	B	48,-	16,-	64,-
<b>LPW 200-2, painted</b>	B	833,-	277,-	1110,-
Tool Deposit for Sump Trays with Perforated Panel Type LPW	B	30,-	16,-	46,-
Drip Tray for Sump Trays with Perforated Panel Type LPW	B	48,-	16,-	64,-
<b>LPW 200-2, hot-dip galvanized</b>	B	868,-	277,-	1145,-
Tool Deposit for Sump Trays with Perforated Panel Type LPW	B	30,-	16,-	46,-
Drip Tray for Sump Trays with Perforated Panel Type LPW	B	48,-	16,-	64,-
<b>LPW 200-3, painted</b>	B	848,-	277,-	1125,-
Tool Deposit for Sump Trays with Perforated Panel Type LPW	B	30,-	16,-	46,-
Drip Tray for Sump Trays with Perforated Panel Type LPW	B	48,-	16,-	64,-
<b>LPW 200-3, hot-dip galvanized</b>	B	883,-	277,-	1160,-

Prices in EUR, valid EXW DE-46354 Südlohn, DE-38820 Halberstadt, unpacked  
Freight charges valid CPT Romania, islands and oversea territories excluded



# Price List 0424 en-R0

## Environment / Storage



Mobile Sump Tray with Perforated Panel Type LPW	Category	Price	Freight charges	Price including freight charges
Tool Deposit for Sump Trays with Perforated Panel Type LPW	B	30,-	16,-	46,-
Drip Tray for Sump Trays with Perforated Panel Type LPW	B	48,-	16,-	64,-
LPW 200-4, painted	B	1019,-	277,-	1296,-
LPW 200-4, hot-dip galvanized	B	1049,-	277,-	1326,-
Modular Sump Tray Type MAW	Category	Price	Freight charges	Price including freight charges
MAW, painted	B	324,-	164,-	488,-
MAW, hot-dip galvanized	B	353,-	164,-	517,-
Element No. 1: grid grate incl. supportS, painted	B	75,-	18,-	93,-
Element No. 2: galvanized handle + castors	B	133,-	19,-	152,-
Element No. 3: runners, painted	B	99,-	15,-	114,-
Element No. 3: runners, hot-dip galvanized	B	63,-	15,-	78,-
Element No. 6: surround, galvanized	B	580,-	164,-	744,-
Spline Sump Type PW	Category	Price	Freight charges	Price including freight charges
PW 200-2, painted	B	236,-	164,-	400,-
PW 200-2, hot-dip galvanized	B	227,-	164,-	391,-
PW 200-4, painted	B	261,-	164,-	425,-
PW 200-4, hot-dip galvanized	B	252,-	164,-	416,-
PW 400-4, painted	B	337,-	164,-	501,-
PW 400-4, hot-dip galvanized	B	320,-	164,-	484,-
Spline Sump Type PWE	Category	Price	Freight charges	Price including freight charges
PWE 200-2, painted	B	209,-	164,-	373,-
PWE 200-2, hot-dip galvanized	B	200,-	164,-	364,-
PWE 200-4, painted	B	228,-	164,-	392,-
PWE 200-4, hot-dip galvanized	B	220,-	164,-	384,-
PWE 400-4, painted	B	278,-	164,-	442,-
PWE 400-4, hot-dip galvanized	B	268,-	164,-	432,-
Hazardous Materials Cabinet with Roller Shutter Door Type RSG	Category	Price	Freight charges	Price including freight charges
RSG-1, painted	B	1841,-	277,-	2118,-
Set of 4 Feet, height adjustable	B	77,-	9,-	86,-
RSG-2, painted	B	1855,-	277,-	2132,-
Set of 4 Feet, height adjustable	B	77,-	9,-	86,-
RSG-3, painted	B	1904,-	277,-	2181,-
Set of 4 Feet, height adjustable	B	77,-	9,-	86,-
RSG-4, painted	B	2037,-	406,-	2443,-
Set of 4 Feet, height adjustable	B	77,-	9,-	86,-
Shelf Sump with Polyethylene Inlay Type RW PE	Category	Price	Freight charges	Price including freight charges
RW 1800 PE, painted	B	1008,-	277,-	1285,-
RW 1800 PE, hot-dip galvanized	B	1062,-	277,-	1339,-
RW 2200-1 PE, painted	B	1052,-	277,-	1329,-
RW 2200-1 PE, hot-dip galvanized	B	1108,-	277,-	1385,-

Prices in EUR, valid EXW DE-46354 Südlohn, DE-38820 Halberstadt, unpacked  
Freight charges valid CPT Romania, islands and oversea territories excluded

# Price List 0424 en-R0

## Environment / Storage



Shelf Sump with Polyethylene Inlay Type RW PE	Category	Price	Freight charges	Price including freight charges
RW 2200-2 PE, painted	B	1232,-	277,-	1509,-
RW 2200-2 PE, hot-dip galvanized	B	1295,-	277,-	1572,-
RW 2700-1 PE, painted	B	1070,-	227,-	1297,-
RW 2700-1 PE, hot-dip galvanized	B	1151,-	227,-	1378,-
RW 2700-2 PE, painted	B	1223,-	227,-	1450,-
RW 2700-2 PE, hot-dip galvanized	B	1318,-	227,-	1545,-
RW 2700-3 PE, painted	B	1416,-	227,-	1643,-
RW 2700-3 PE, hot-dip galvanized	B	1538,-	227,-	1765,-
RW 3300-1 PE, painted	B	1369,-	227,-	1596,-
RW 3300-1 PE, hot-dip galvanized	B	1458,-	227,-	1685,-
RW 3300-2 PE, painted	B	1483,-	227,-	1710,-
RW 3300-2 PE, hot-dip galvanized	B	1581,-	227,-	1808,-
RW 3300-3 PE, painted	B	1679,-	456,-	2135,-
RW 3300-3 PE, hot-dip galvanized	B	1787,-	456,-	2243,-

Shelf Sump Type RW	Category	Price	Freight charges	Price including freight charges
RW 1800, painted	B	489,-	164,-	653,-
RW 1800, hot-dip galvanized	B	542,-	164,-	706,-
RW 2200-1, painted	B	501,-	164,-	665,-
RW 2200-1, hot-dip galvanized	B	557,-	164,-	721,-
RW 2200-2, painted	B	514,-	277,-	791,-
RW 2200-2, hot-dip galvanized	B	576,-	277,-	853,-
RW 2700-1, painted	B	510,-	227,-	737,-
RW 2700-1, hot-dip galvanized	B	590,-	227,-	817,-
RW 2700-2, painted	B	586,-	227,-	813,-
RW 2700-2, hot-dip galvanized	B	682,-	227,-	909,-
RW 2700-3, painted	B	634,-	227,-	861,-
RW 2700-3, hot-dip galvanized	B	754,-	227,-	981,-
RW 3300-1, painted	B	657,-	227,-	884,-
RW 3300-1, hot-dip galvanized	B	747,-	227,-	974,-
RW 3300-2, painted	B	722,-	227,-	949,-
RW 3300-2, hot-dip galvanized	B	821,-	227,-	1048,-
RW 3300-3, painted	B	805,-	227,-	1032,-
RW 3300-3, hot-dip galvanized	B	913,-	227,-	1140,-

Shelf Sump with Polyethylene Inlay Type RW-GR PE	Category	Price	Freight charges	Price including freight charges
RW-GR 1800 PE, painted	B	1138,-	277,-	1415,-
RW-GR 1800 PE, hot-dip galvanized	B	1189,-	277,-	1466,-
RW-GR 2200-1 PE, painted	B	1212,-	277,-	1489,-
RW-GR 2200-1 PE, hot-dip galvanized	B	1268,-	277,-	1545,-
RW-GR 2200-2 PE, painted	B	1394,-	406,-	1800,-
RW-GR 2200-2 PE, hot-dip galvanized	B	1454,-	406,-	1860,-
RW-GR 2700-1 PE, painted	B	1268,-	456,-	1724,-
RW-GR 2700-1 PE, hot-dip galvanized	B	1347,-	456,-	1803,-
RW-GR 2700-2 PE, painted	B	1419,-	456,-	1875,-

Prices in EUR, valid EXW DE-46354 Südlohn, DE-38820 Halberstadt, unpacked  
Freight charges valid CPT Romania, islands and oversea territories excluded

# Price List 0424 en-RO

## Environment / Storage



Shelf Sump with Polyethylene Inlay Type RW-GR PE	Category	Price	Freight charges	Price including freight charges
RW-GR 2700-2 PE, hot-dip galvanized	B	1516,-	456,-	1972,-
RW-GR 2700-3 PE, painted	B	1614,-	456,-	2070,-
RW-GR 2700-3 PE, hot-dip galvanized	B	1715,-	456,-	2171,-
RW-GR 3300-1 PE, painted	B	1729,-	456,-	2185,-
RW-GR 3300-1 PE, hot-dip galvanized	B	1818,-	456,-	2274,-
RW-GR 3300-2 PE, painted	B	1841,-	456,-	2297,-
RW-GR 3300-2 PE, hot-dip galvanized	B	1949,-	456,-	2405,-
RW-GR 3300-3 PE, painted	B	2038,-	541,-	2579,-
RW-GR 3300-3 PE, hot-dip galvanized	B	2146,-	541,-	2687,-

Shelf Sump Type RW-GR	Category	Price	Freight charges	Price including freight charges
RW-GR 1800, painted	B	619,-	277,-	896,-
RW-GR 1800, hot-dip galvanized	B	672,-	277,-	949,-
RW-GR 2200-1, painted	B	662,-	277,-	939,-
RW-GR 2200-1, hot-dip galvanized	B	719,-	277,-	996,-
RW-GR 2200-2, painted	B	676,-	406,-	1082,-
RW-GR 2200-2, hot-dip galvanized	B	735,-	406,-	1141,-
RW-GR 2700-1, painted	B	707,-	327,-	1034,-
RW-GR 2700-1, hot-dip galvanized	B	787,-	456,-	1243,-
RW-GR 2700-2, painted	B	783,-	456,-	1239,-
RW-GR 2700-2, hot-dip galvanized	B	880,-	456,-	1336,-
RW-GR 2700-3, painted	B	831,-	456,-	1287,-
RW-GR 2700-3, hot-dip galvanized	B	933,-	456,-	1389,-
RW-GR 3300-1, painted	B	1016,-	456,-	1472,-
RW-GR 3300-1, hot-dip galvanized	B	1107,-	456,-	1563,-
RW-GR 3300-2, painted	B	1081,-	456,-	1537,-
RW-GR 3300-2, hot-dip galvanized	B	1188,-	456,-	1644,-
RW-GR 3300-3, painted	B	1165,-	456,-	1621,-
RW-GR 3300-3, hot-dip galvanized	B	1272,-	456,-	1728,-
RW-GR 3600-3, painted	B	1285,-	456,-	1741,-
RW-GR 3600-3, hot-dip galvanized	B	1432,-	456,-	1888,-

Safety Cabinet Type SIW	Category	Price	Freight charges	Price including freight charges
SIW 1005	B	575,-	164,-	739,-
SIW 2005	B	725,-	277,-	1002,-

Diesel Filling Point Type TAW	Category	Price	Freight charges	Price including freight charges
TAW 1, painted	B	2365,-	on request	on request
TAW 2, painted	B	3086,-	on request	on request
TAW 3, painted	B	4447,-	on request	on request

Stainless Steel Sump Tray Type VAW	Category	Price	Freight charges	Price including freight charges
VAW-1, stainless steel 1.4571	B	956,-	164,-	1120,-
Grid, stainless steel 1.4571	B	477,-	14,-	491,-
Grid, hot-dip galvanized	B	68,-	14,-	82,-

Prices in EUR, valid EXW DE-46354 Südlohn, DE-38820 Halberstadt, unpacked  
Freight charges valid CPT Romania, islands and oversea territories excluded

# Price List 0424 en-R0

## Environment / Storage



Stainless Steel Sump Tray Type VAW	Category	Price	Freight charges	Price including freight charges
<b>VAW-2, stainless steel 1.4571</b>	B	1042,-	164,-	1206,-
Grid, stainless steel 1.4571	B	706,-	16,-	722,-
Grid, hot-dip galvanized	B	91,-	38,-	129,-
<b>VAW-4/A, stainless steel 1.4571</b>	B	1194,-	164,-	1358,-
Grid, stainless steel 1.4571	B	1025,-	22,-	1047,-
Grid, hot-dip galvanized	B	119,-	22,-	141,-
<b>VAW-4/B, stainless steel 1.4571</b>	B	1459,-	164,-	1623,-
Grid, stainless steel 1.4571	B	1411,-	27,-	1438,-
Grid, hot-dip galvanized	B	163,-	27,-	190,-
<b>VAW 1000, stainless steel 1.4571</b>	B	2633,-	277,-	2910,-
Grid, stainless steel 1.4571	B	1143,-	28,-	1171,-
Grid, hot-dip galvanized	B	138,-	28,-	166,-
<b>VAW 1000-2, stainless steel 1.4571</b>	B	3216,-	327,-	3543,-
Grid, stainless steel 1.4571	B	2070,-	164,-	2234,-
Grid, hot-dip galvanized	B	224,-	164,-	388,-

Heating Chamber Type WK	Category	Price	Freight charges	Price including freight charges
<b>WK 29-2 E65, painted</b>	C	29650,-	on request	on request
<b>WK 29-2 E85, painted</b>	C	29815,-	on request	on request
<b>WK 57-2 E65, painted</b>	C	41623,-	on request	on request
<b>WK 57-2 E85, painted</b>	C	44000,-	on request	on request

Sump Tray Type WM	Category	Price	Freight charges	Price including freight charges
<b>WM-2/200, hot-dip galvanized</b>	B	280,-	164,-	444,-
Drum Support FA 60-1, hot-dip galvanized	B	105,-	15,-	120,-
Drum Support FA 60-2, hot-dip galvanized	B	114,-	18,-	132,-
Drum Support FA 60-3, hot-dip galvanized	B	133,-	21,-	154,-
Drum Support FA 200-1, hot-dip galvanized	B	114,-	15,-	129,-
Can Shelf Type GR-A, galvanized	B	133,-	118,-	251,-
Can Shelf Type GR-B, galvanized	B	133,-	118,-	251,-
Can Shelf Type GR-C, galvanized	B	133,-	118,-	251,-
<b>WM-4/200, hot-dip galvanized</b>	B	318,-	164,-	482,-
Drum Support FA 60-1, hot-dip galvanized	B	105,-	15,-	120,-
Drum Support FA 60-2, hot-dip galvanized	B	114,-	18,-	132,-
Drum Support FA 60-3, hot-dip galvanized	B	133,-	21,-	154,-
Drum Support FA 200-1, hot-dip galvanized	B	114,-	15,-	129,-
Drum Support FA 200-2, hot-dip galvanized	B	133,-	22,-	155,-
Can Shelf Type GR-A, galvanized	B	133,-	118,-	251,-
Can Shelf Type GR-B, galvanized	B	133,-	118,-	251,-
Can Shelf Type GR-C, galvanized	B	133,-	118,-	251,-
<b>WM-4/400, hot-dip galvanized</b>	B	382,-	277,-	659,-

Sump Tray Type WO	Category	Price	Freight charges	Price including freight charges
<b>WO-2/200, hot-dip galvanized</b>	B	213,-	164,-	377,-
<b>WO-4/200, hot-dip galvanized</b>	B	231,-	164,-	395,-

Prices in EUR, valid EXW DE-46354 Südlohn, DE-38820 Halberstadt, unpacked  
 Freight charges valid CPT Romania, islands and oversea territories excluded

# Price List 0424 en-R0

## Environment / Storage



Sump Tray Type WO	Category	Price	Freight charges	Price including freight charges
WO-4/400, hot-dip galvanized	B	298,-	164,-	462,-
Polyethylene Sump Pallet Type WP	Category	Price	Freight charges	Price including freight charges
WP 1/11, made of robust polyethylene	B	1052,-	164,-	1216,-
WP 2/11, made of robust polyethylene	B	1330,-	164,-	1494,-
Dispensing Tray VB 2, robust polyethylene, blue	B	152,-	118,-	270,-
Polyethylene Sump Pallet Type WPA-PE	Category	Price	Freight charges	Price including freight charges
WPA-PE 2/2, made of robust polyethylene	B	313,-	164,-	477,-
WPA-PE 4/2, made of robust polyethylene	B	494,-	164,-	658,-
Polyethylene Sump Pallet Type WP-PE	Category	Price	Freight charges	Price including freight charges
WP-PE 1/11, made of robust polyethylene	B	1139,-	164,-	1303,-
Dispensing Tray VB 1, robust polyethylene, blue	B	163,-	118,-	281,-
WP-PE 2/11, made of robust polyethylene	B	1507,-	327,-	1834,-
Dispensing Tray VB 2, robust polyethylene, blue	B	152,-	118,-	270,-
WP-PE 2/2, made of robust polyethylene	B	290,-	164,-	454,-
WP-PE 4/2, made of robust polyethylene	B	453,-	164,-	617,-
WP-PE 4/4, made of robust polyethylene	B	470,-	164,-	634,-
WP-PE 8/11, made of robust polyethylene	B	1507,-	327,-	1834,-
Mobile Polyethylene Sump Tray Type WPT	Category	Price	Freight charges	Price including freight charges
WPT 230, made of robust polyethylene	B	519,-	164,-	683,-

Prices in EUR, valid EXW DE-46354 Südlohn, DE-38820 Halberstadt, unpacked  
Freight charges valid CPT Romania, islands and oversea territories excluded

## Price List 0424 en-RO

### Hazardous Materials Containers

Fluorescent Tube Box Type AL-D	Category	Price	Freight charges	Price including freight charges
AL-D 150, aluminium	C	500,-	164,-	664,-
AL-D 200, aluminium	C	551,-	164,-	715,-
Collecting Container Type ASB	Category	Price	Freight charges	Price including freight charges
ASB 250, hot-dip galvanized	C	1969,-	406,-	2375,-
ASB 450-I, hot-dip galvanized	C	2082,-	406,-	2488,-
Special Waste Container Type ASK	Category	Price	Freight charges	Price including freight charges
ASK 540-4, hot-dip galvanized	C	on request	on request	on request
Duo-Container Type DC	Category	Price	Freight charges	Price including freight charges
DC 450, hot-dip galvanized	C	2267,-	on request	on request
Stainless steel strainer	D	113,-	9,-	122,-
Wing nut spanner for M12, hot-dip galvanized	F	33,-	15,-	48,-
DC 1000, hot-dip galvanized	C	2408,-	on request	on request
Stainless steel strainer	D	113,-	9,-	122,-
Wing nut spanner for M12, hot-dip galvanized	F	33,-	15,-	48,-
Lithium-Ion Storage Container Type LIL	Category	Price	Freight charges	Price including freight charges
LIL 30, hot-dip galvanized	B	1871,-	164,-	2035,-
LIL 90, hot-dip galvanized	B	2720,-	277,-	2997,-
Castor Set, polyamide, Load capacity 1050 kg / castor set	A	150,-	15,-	165,-
LIL 220, hot-dip galvanized	B	4699,-	406,-	5105,-
Castor Set, polyamide, Load capacity 1050 kg / castor set	A	150,-	15,-	165,-
LIL 280, hot-dip galvanized	B	5685,-	406,-	6091,-
Castor Set, polyamide, Load capacity 1050 kg / castor set	A	150,-	15,-	165,-
MobiCont Type M 800	Category	Price	Freight charges	Price including freight charges
M 800, painted	C	1342,-	406,-	1748,-
Level Indicator	C	212,-	9,-	221,-
Funnel for filling, PP	D	65,-	9,-	74,-
Filling/Extraction lid	C	65,-	9,-	74,-
Lid, galvanized, without a lock	C	188,-	15,-	203,-
Lid, galvanized, with square lock	C	233,-	18,-	251,-
Lid, galvanized, with cylinder lock	C	233,-	18,-	251,-
Castor Set, polyamide, Load capacity 1350 kg / castor set	A	185,-	15,-	200,-
Hand Pump K 10 C, connects to drum thread, suitable for fuels and heating fuel	C	91,-	14,-	105,-
Hose Kit (1.5 m) for Hand Pump Type K 10 C, suitable for diesel and fuel	C	65,-	14,-	79,-
Hose Kit (3 m) for Hand Pump Type K 10 C, suitable for diesel and fuel	C	92,-	15,-	107,-
Hose Kit (4 m) for Hand Pump Type K 10 C, suitable for diesel and fuel	C	105,-	15,-	120,-
Electric Pump TecPump 400 DC 12V	C	492,-	15,-	507,-

Prices in EUR, valid EXW DE-46354 Südlohn, DE-38820 Halberstadt, unpacked  
Freight charges valid CPT Romania, islands and oversea territories excluded

# Price List 0424 en-RO

## Hazardous Materials Containers



MobiCont Type M 800	Category	Price	Freight charges	Price including freight charges
Electric Pump TecPump 400 DC 24V	C	492,-	15,-	507,-
Electric Pump TecPump 600 AC 230V	C	492,-	15,-	507,-
<b>M 800, hot-dip galvanized</b>	C	1432,-	406,-	1838,-
Level Indicator	C	212,-	9,-	221,-
Funnel for filling, PP	D	65,-	9,-	74,-
Filling/Extraction lid	C	65,-	9,-	74,-
Lid, galvanized, without a lock	C	188,-	15,-	203,-
Lid, galvanized, with square lock	C	233,-	18,-	251,-
Lid, galvanized, with cylinder lock	C	233,-	18,-	251,-
Castor Set, polyamide, Load capacity 1350 kg / castor set	A	185,-	15,-	200,-
Hand Pump K 10 C, connects to drum thread, suitable for fuels and heating fuel	C	91,-	14,-	105,-
Hose Kit (1.5 m) for Hand Pump Type K 10 C, suitable for diesel and fuel	C	65,-	14,-	79,-
Hose Kit (3 m) for Hand Pump Type K 10 C, suitable for diesel and fuel	C	92,-	15,-	107,-
Hose Kit (4 m) for Hand Pump Type K 10 C, suitable for diesel and fuel	C	105,-	15,-	120,-
Electric Pump TecPump 400 DC 12V	C	492,-	15,-	507,-
Electric Pump TecPump 400 DC 24V	C	492,-	15,-	507,-
Electric Pump TecPump 600 AC 230V	C	492,-	15,-	507,-

MobiCont Type MD	Category	Price	Freight charges	Price including freight charges
<b>MD 800, painted</b>	C	1868,-	406,-	2274,-
Level Indicator	C	212,-	9,-	221,-
Hand Pump K 10 C, connects to drum thread, suitable for fuels and heating fuel	C	91,-	14,-	105,-
Hose Kit (1.5 m) for Hand Pump Type K 10 C, suitable for diesel and fuel	C	65,-	14,-	79,-
Hose Kit (3 m) for Hand Pump Type K 10 C, suitable for diesel and fuel	C	92,-	15,-	107,-
Hose Kit (4 m) for Hand Pump Type K 10 C, suitable for diesel and fuel	C	105,-	15,-	120,-
Electric Pump TecPump 400 DC 12V	C	492,-	15,-	507,-
Electric Pump TecPump 400 DC 24V	C	492,-	15,-	507,-
Electric Pump TecPump 600 AC 230V	C	492,-	15,-	507,-
<b>MD 800, hot-dip galvanized</b>	C	1956,-	406,-	2362,-
Level Indicator	C	212,-	9,-	221,-
Hand Pump K 10 C, connects to drum thread, suitable for fuels and heating fuel	C	91,-	14,-	105,-
Hose Kit (1.5 m) for Hand Pump Type K 10 C, suitable for diesel and fuel	C	65,-	14,-	79,-
Hose Kit (3 m) for Hand Pump Type K 10 C, suitable for diesel and fuel	C	92,-	15,-	107,-
Hose Kit (4 m) for Hand Pump Type K 10 C, suitable for diesel and fuel	C	105,-	15,-	120,-
Electric Pump TecPump 400 DC 12V	C	492,-	15,-	507,-
Electric Pump TecPump 400 DC 24V	C	492,-	15,-	507,-
Electric Pump TecPump 600 AC 230V	C	492,-	15,-	507,-

MobiCont Type MO	Category	Price	Freight charges	Price including freight charges
<b>MO 800, painted</b>	C	on request	on request	on request
Level Indicator	C	212,-	9,-	221,-
<b>MO 800, hot-dip galvanized</b>	C	on request	on request	on request
Level Indicator	C	212,-	9,-	221,-

Prices in EUR, valid EXW DE-46354 Südlohn, DE-38820 Halberstadt, unpacked  
 Freight charges valid CPT Romania, islands and oversea territories excluded

# Price List 0424 en-RO

## Hazardous Materials Containers



Fuel Container Type MT	Category	Price	Freight charges	Price including freight charges
<b>MT 450, hot-dip galvanized</b>	C	2147,-	406,-	2553,-
Level Indicator	C	212,-	9,-	221,-
Hand Pump K 10 C, connects to drum thread, suitable for fuels and heating fuel	C	91,-	14,-	105,-
Digital Flow Counter FMT 3 with screwed joints	C	309,-	9,-	318,-
Electric Pump TecPump 400 DC 12V	C	492,-	12,-	504,-
Electric Pump TecPump 400 DC 24V	C	492,-	12,-	504,-
Electric Pump TecPump 600 AC 230V	C	492,-	12,-	504,-
Counter Z 400, Retrofit Kit for Electric Pumps TecPump 400 DC 12V, 400 DC 24V and 600 AC 230V	C	153,-	9,-	162,-
<b>MT 600, hot-dip galvanized</b>	C	2554,-	406,-	2960,-
Level Indicator	C	212,-	9,-	221,-
Hand Pump K 10 C, connects to drum thread, suitable for fuels and heating fuel	C	91,-	14,-	105,-
Digital Flow Counter FMT 3 with screwed joints	C	309,-	9,-	318,-
Electric Pump TecPump 400 DC 12V	C	492,-	12,-	504,-
Electric Pump TecPump 400 DC 24V	C	492,-	12,-	504,-
Electric Pump TecPump 600 AC 230V	C	492,-	12,-	504,-
Counter Z 400, Retrofit Kit for Electric Pumps TecPump 400 DC 12V, 400 DC 24V and 600 AC 230V	C	153,-	9,-	162,-
<b>MT 1000, hot-dip galvanized</b>	C	2761,-	491,-	3252,-
Level Indicator	C	212,-	9,-	221,-
Hand Pump K 10 C, connects to drum thread, suitable for fuels and heating fuel	C	91,-	14,-	105,-
Digital Flow Counter FMT 3 with screwed joints	C	309,-	9,-	318,-
Electric Pump TecPump 400 DC 12V	C	492,-	12,-	504,-
Electric Pump TecPump 400 DC 24V	C	492,-	12,-	504,-
Electric Pump TecPump 600 AC 230V	C	492,-	12,-	504,-
Counter Z 400, Retrofit Kit for Electric Pumps TecPump 400 DC 12V, 400 DC 24V and 600 AC 230V	C	153,-	9,-	162,-
MobiCont Type MW	Category	Price	Freight charges	Price including freight charges
<b>MW 800, painted</b>	C	1722,-	406,-	2128,-
Level Indicator	C	212,-	9,-	221,-
Filling coupling	C	51,-	8,-	59,-
Tank heating, 220 W	C	371,-	12,-	383,-
Tank fitting	B	64,-	9,-	73,-
Anti-siphon valve	D	68,-	8,-	76,-
Aeration/Vent valve	C	26,-	8,-	34,-
<b>MW 800, hot-dip galvanized</b>	C	1813,-	406,-	2219,-
Level Indicator	C	212,-	9,-	221,-
Filling coupling	C	51,-	8,-	59,-
Tank heating, 220 W	C	371,-	12,-	383,-
Tank fitting	B	64,-	9,-	73,-
Anti-siphon valve	D	68,-	8,-	76,-
Aeration/Vent valve	C	26,-	8,-	34,-
Special Waste Container Type SAF	Category	Price	Freight charges	Price including freight charges
<b>SAF 450, hot-dip galvanized</b>	C	on request	on request	on request
<b>SAF 600, hot-dip galvanized</b>	C	on request	on request	on request
<b>SAF 1000, hot-dip galvanized</b>	C	on request	on request	on request

Prices in EUR, valid EXW DE-46354 Südlohn, DE-38820 Halberstadt, unpacked  
Freight charges valid CPT Romania, islands and oversea territories excluded



# Price List 0424 en-RO

## Hazardous Materials Containers



Large Salvage Packaging Type SAG	Category	Price	Freight charges	Price including freight charges
SAG 800, hot-dip galvanized	C	1102,-	406,-	1508,-
SAG 1500, hot-dip galvanized	C	2078,-	on request	on request
Polyethylene sacks, 25 pieces on roll	C	180,-	39,-	219,-
SAG 2100, hot-dip galvanized	C	2180,-	on request	on request
Polyethylene sacks, 25 pieces on roll	C	180,-	39,-	219,-
SAG 2700, hot-dip galvanized	C	2252,-	on request	on request
Polyethylene sacks, 25 pieces on roll	C	180,-	39,-	219,-

Special Waste Container Type SAP	Category	Price	Freight charges	Price including freight charges
SAP 450, hot-dip galvanized	C	on request	on request	on request
Polyethylene sacks, 50 pieces on roll - 0,085 mm	C	134,-	59,-	193,-
SAP 600, hot-dip galvanized	C	on request	on request	on request
Polyethylene sacks, 50 pieces on roll - 0,085 mm	C	134,-	59,-	193,-
SAP 800, hot-dip galvanized	C	on request	on request	on request
Polyethylene sacks, 50 pieces on roll - 0,085 mm	C	134,-	59,-	193,-

Special Waste Container Type SAP-1	Category	Price	Freight charges	Price including freight charges
SAP 450-1, hot-dip galvanized	C	on request	on request	on request
Polyethylene sacks, 50 pieces on roll - 0,085 mm	C	134,-	59,-	193,-
SAP 600-1, hot-dip galvanized	C	on request	on request	on request
Polyethylene sacks, 50 pieces on roll - 0,085 mm	C	134,-	59,-	193,-
SAP 800-1, hot-dip galvanized	C	on request	on request	on request
Polyethylene sacks, 50 pieces on roll - 0,085 mm	C	134,-	59,-	193,-
SAP 800-3, hot-dip galvanized	C	on request	on request	on request
Polyethylene sacks, 50 pieces on roll - 0,085 mm	C	134,-	59,-	193,-

Used Battery Container Type SAP 600 K	Category	Price	Freight charges	Price including freight charges
SAP 600 K, hot-dip galvanized	C	on request	on request	on request

Used Battery Container Type SAP 601 K	Category	Price	Freight charges	Price including freight charges
SAP 601 K, hot-dip galvanized	C	on request	on request	on request

Special Waste Container Type SAS	Category	Price	Freight charges	Price including freight charges
SAS 800, hot-dip galvanized	C	on request	on request	on request

Hazardous Materials Container Type SF	Category	Price	Freight charges	Price including freight charges
SF 240, hot-dip galvanized	C	on request	on request	on request

Fluorescent Tube Box Type SL	Category	Price	Freight charges	Price including freight charges
SL 150, painted	C	664,-	277,-	941,-
SL 150, hot-dip galvanized	C	794,-	277,-	1071,-
SL 200, painted	C	740,-	277,-	1017,-
SL 200, hot-dip galvanized	C	871,-	406,-	1277,-

Prices in EUR, valid EXW DE-46354 Südlohn, DE-38820 Halberstadt, unpacked  
 Freight charges valid CPT Romania, islands and oversea territories excluded

# Price List 0424 en-RO

## Hazardous Materials Containers



Fluorescent Tube Box Type SL-D	Category	Price	Freight charges	Price including freight charges
SL-D 150, painted	C	731,-	277,-	1008,-
Removable Tray, galvanized	C	84,-	10,-	94,-
SL-D 150, hot-dip galvanized	C	850,-	277,-	1127,-
Removable Tray, galvanized	C	84,-	10,-	94,-
SL-D 200, painted	C	808,-	277,-	1085,-
Removable Tray, galvanized	C	84,-	10,-	94,-
SL-D 200, hot-dip galvanized	C	940,-	277,-	1217,-
Removable Tray, galvanized	C	84,-	10,-	94,-
Fluorescent Tube Box Type SL-N	Category	Price	Freight charges	Price including freight charges
SL-N 220, painted	C	831,-	277,-	1108,-
SL-N 220, hot-dip galvanized	C	969,-	277,-	1246,-
Special Waste Container Type SP	Category	Price	Freight charges	Price including freight charges
SP 100, hot-dip galvanized	C	on request	on request	on request
SP 240, hot-dip galvanized	C	on request	on request	on request
Transport Box for Aerosol Cans Type STB	Category	Price	Freight charges	Price including freight charges
STB 1000, hot-dip galvanized	C	on request	on request	on request
Polyethylene sacks, 50 pieces on roll	C	185,-	59,-	244,-
Absorbent felt, 100 pieces	C	353,-	118,-	471,-

Prices in EUR, valid EXW DE-46354 Südlohn, DE-38820 Halberstadt, unpacked  
Freight charges valid CPT Romania, islands and oversea territories excluded