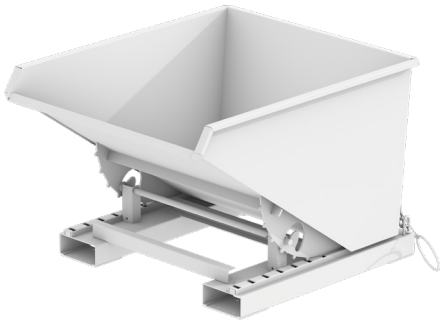


...made by



PRICE LIST 0726 EN-IE

FORKLIFT TRUCK ATTACHMENTS

WORKSPACE MATERIAL HANDLING

ENVIRONMENT / STORAGE

HAZARDOUS MATERIALS CONTAINERS

INNOVATION – CONSTRUCTION – PRODUCTION

... since 1966

Price List 0726 en-IE

Forklift Truck Attachments

Drum Gripper Type 3P	Category	Price	Freight charges	Price including freight charges
3P, painted	B	942,-	183,-	1125,-
3P, hot-dip galvanized	B	990,-	183,-	1173,-

Tilting Container Type 3S	Category	Price	Freight charges	Price including freight charges
3S 300, painted	A	1244,-	278,-	1522,-
Lid, galvanized	A	174,-	18,-	192,-
Castor Set, polyamide, Load capacity 1050 kg / castor set	A	136,-	15,-	151,-
3S 300, hot-dip galvanized	A	1342,-	407,-	1749,-
Lid, galvanized	A	174,-	18,-	192,-
Castor Set, polyamide, Load capacity 1050 kg / castor set	A	136,-	15,-	151,-
3S 600, painted	A	1300,-	407,-	1707,-
Lid, galvanized	A	196,-	22,-	218,-
Castor Set, polyamide, Load capacity 1050 kg / castor set	A	136,-	15,-	151,-
3S 600, hot-dip galvanized	A	1402,-	407,-	1809,-
Lid, galvanized	A	196,-	22,-	218,-
Castor Set, polyamide, Load capacity 1050 kg / castor set	A	136,-	15,-	151,-

Automatic Tilting Container Type 4A	Category	Price	Freight charges	Price including freight charges
4A 600, painted	A	1103,-	278,-	1381,-
Lid, galvanized	A	196,-	22,-	218,-
Skip Body Welded Oil and Watertight	A	78,-	0,-	78,-
4A 600, hot-dip galvanized	A	1250,-	278,-	1528,-
Lid, galvanized	A	196,-	22,-	218,-
Skip Body Welded Oil and Watertight	A	78,-	0,-	78,-
4A 900, painted	A	1239,-	407,-	1646,-
Lid, galvanized	A	223,-	27,-	250,-
Skip Body Welded Oil and Watertight	A	78,-	0,-	78,-
4A 900, hot-dip galvanized	A	1424,-	407,-	1831,-
Lid, galvanized	A	223,-	27,-	250,-
Skip Body Welded Oil and Watertight	A	78,-	0,-	78,-
4A 1200, painted	A	1327,-	407,-	1734,-
Lid, galvanized	A	223,-	26,-	249,-
Skip Body Welded Oil and Watertight	A	121,-	0,-	121,-
4A 1200, hot-dip galvanized	A	1558,-	407,-	1965,-
Lid, galvanized	A	223,-	26,-	249,-
Skip Body Welded Oil and Watertight	A	121,-	0,-	121,-

Drum Gripper Type 4P	Category	Price	Freight charges	Price including freight charges
4P, painted	B	578,-	60,-	638,-
4P, hot-dip galvanized	B	551,-	60,-	611,-

Prices in EUR, valid EXW DE-46354 Südlohn, DE-38820 Halberstadt, unpacked
 Freight charges valid CPT Ireland, islands and oversea territories excluded

Price List 0726 en-IE

Forklift Truck Attachments



Drum Gripper Type 4P-D	Category	Price	Freight charges	Price including freight charges
4P-D120, painted	B	578,-	60,-	638,-
4P-D120, hot-dip galvanized	B	551,-	60,-	611,-
4P-D220, painted	B	578,-	60,-	638,-
4P-D220, hot-dip galvanized	B	551,-	60,-	611,-

Tilting Container Type AK	Category	Price	Freight charges	Price including freight charges
AK 50, painted	A	802,-	278,-	1080,-
Lid, galvanized	A	140,-	16,-	156,-
Castor Set, polyamide, Load capacity 1050 kg / castor set	A	136,-	15,-	151,-
Skip Body Welded Oil and Watertight	A	78,-	0,-	78,-
AK 50, hot-dip galvanized	A	956,-	278,-	1234,-
Lid, galvanized	A	140,-	16,-	156,-
Castor Set, polyamide, Load capacity 1050 kg / castor set	A	136,-	15,-	151,-
Skip Body Welded Oil and Watertight	A	78,-	0,-	78,-
AK 75, painted	A	897,-	278,-	1175,-
Lid, galvanized	A	192,-	21,-	213,-
Castor Set, polyamide, Load capacity 1050 kg / castor set	A	136,-	15,-	151,-
Skip Body Welded Oil and Watertight	A	78,-	0,-	78,-
AK 75, hot-dip galvanized	A	1048,-	407,-	1455,-
Lid, galvanized	A	192,-	21,-	213,-
Castor Set, polyamide, Load capacity 1050 kg / castor set	A	136,-	15,-	151,-
Skip Body Welded Oil and Watertight	A	78,-	0,-	78,-
AK 100, painted	A	970,-	407,-	1377,-
Lid, galvanized	A	218,-	26,-	244,-
Castor Set, polyamide, Load capacity 1050 kg / castor set	A	136,-	15,-	151,-
Skip Body Welded Oil and Watertight	A	121,-	0,-	121,-
AK 100, hot-dip galvanized	A	1133,-	407,-	1540,-
Lid, galvanized	A	218,-	26,-	244,-
Castor Set, polyamide, Load capacity 1050 kg / castor set	A	136,-	15,-	151,-
Skip Body Welded Oil and Watertight	A	121,-	0,-	121,-
AK 150, painted	A	1238,-	407,-	1645,-
Lid, galvanized	A	305,-	28,-	333,-
Castor Set, polyamide, Load capacity 1050 kg / castor set	A	136,-	15,-	151,-
Skip Body Welded Oil and Watertight	A	121,-	0,-	121,-
AK 150, hot-dip galvanized	A	1448,-	407,-	1855,-
Lid, galvanized	A	305,-	28,-	333,-
Castor Set, polyamide, Load capacity 1050 kg / castor set	A	136,-	15,-	151,-
Skip Body Welded Oil and Watertight	A	121,-	0,-	121,-

Container for Building Materials Type BBG	Category	Price	Freight charges	Price including freight charges
BBG 100, painted	A	405,-	278,-	683,-
Lid, galvanized	A	189,-	183,-	372,-
BBG 100, hot-dip galvanized	A	496,-	278,-	774,-
Lid, galvanized	A	189,-	183,-	372,-

Prices in EUR, valid EXW DE-46354 Südlohn, DE-38820 Halberstadt, unpacked
 Freight charges valid CPT Ireland, islands and oversea territories excluded

Price List 0726 en-IE

Forklift Truck Attachments



Container for Building Materials Type BBK	Category	Price	Freight charges	Price including freight charges
BBK 100, painted	A	496,-	278,-	774,-
Lid, galvanized	A	189,-	183,-	372,-
BBK 100, hot-dip galvanized	A	571,-	278,-	849,-
Lid, galvanized	A	189,-	183,-	372,-
Material Container Type BBM	Category	Price	Freight charges	Price including freight charges
BBM 500, painted	A	325,-	183,-	508,-
BBM 500, hot-dip galvanized	A	359,-	183,-	542,-
Container for Building Materials Type BBP	Category	Price	Freight charges	Price including freight charges
BBP 100, painted	A	433,-	183,-	616,-
Lid, galvanized	A	189,-	183,-	372,-
Pick-up cones (pins) and angle iron traverse lock	A	51,-	10,-	61,-
BBP 100, hot-dip galvanized	A	511,-	183,-	694,-
Lid, galvanized	A	189,-	183,-	372,-
Pick-up cones (pins) and angle iron traverse lock	A	51,-	10,-	61,-
Tilting Traverse for Containers for Building Material Containers Type BBT	Category	Price	Freight charges	Price including freight charges
BBT, painted	A	571,-	278,-	849,-
BBT, hot-dip galvanized	A	649,-	278,-	927,-
Building Materials Container Type BC	Category	Price	Freight charges	Price including freight charges
BC 500, painted	B	957,-	278,-	1235,-
Lid, galvanized	B	143,-	16,-	159,-
Castor Set, polyamide, Load capacity 1350 kg / castor set	A	192,-	15,-	207,-
BC 500, hot-dip galvanized	B	1179,-	407,-	1586,-
Lid, galvanized	B	143,-	16,-	159,-
Castor Set, polyamide, Load capacity 1350 kg / castor set	A	192,-	15,-	207,-
BC 500 (brick clamp operated), painted	B	1026,-	278,-	1304,-
Lid, galvanized	B	143,-	16,-	159,-
Castor Set, polyamide, Load capacity 1350 kg / castor set	A	192,-	15,-	207,-
BC 500 (brick clamp operated), hot-dip galvanized	B	1250,-	407,-	1657,-
Lid, galvanized	B	143,-	16,-	159,-
Castor Set, polyamide, Load capacity 1350 kg / castor set	A	192,-	15,-	207,-
BC 1000, painted	B	1043,-	407,-	1450,-
Lid, galvanized	B	143,-	16,-	159,-
Castor Set, polyamide, Load capacity 1350 kg / castor set	A	192,-	15,-	207,-
BC 1000, hot-dip galvanized	B	1316,-	407,-	1723,-
Lid, galvanized	B	143,-	16,-	159,-
Castor Set, polyamide, Load capacity 1350 kg / castor set	A	192,-	15,-	207,-
BC 1000 (brick clamp operated), painted	B	1111,-	407,-	1518,-
Lid, galvanized	B	143,-	16,-	159,-
Castor Set, polyamide, Load capacity 1350 kg / castor set	A	192,-	15,-	207,-
BC 1000 (brick clamp operated), hot-dip galvanized	B	1386,-	407,-	1793,-
Lid, galvanized	B	143,-	16,-	159,-

Prices in EUR, valid EXW DE-46354 Südlohn, DE-38820 Halberstadt, unpacked
Freight charges valid CPT Ireland, islands and oversea territories excluded

Price List 0726 en-IE

Forklift Truck Attachments



Building Materials Container Type BC	Category	Price	Freight charges	Price including freight charges
Castor Set, polyamide, Load capacity 1350 kg / castor set	A	192,-	15,-	207,-
Tilting Container Type BK	Category	Price	Freight charges	Price including freight charges
BK 30, painted	A	700,-	278,-	978,-
Lid, galvanized	A	98,-	18,-	116,-
Castor Set, polyamide, Load capacity 1350 kg / castor set	A	192,-	15,-	207,-
Heavy-duty Castor Set, polyamide, Load capacity 2550 kg / castor set	A	379,-	15,-	394,-
Skip Body Welded Oil and Watertight	A	78,-	0,-	78,-
BK 30, hot-dip galvanized	A	984,-	278,-	1262,-
Lid, galvanized	A	98,-	18,-	116,-
Castor Set, polyamide, Load capacity 1350 kg / castor set	A	192,-	15,-	207,-
Heavy-duty Castor Set, polyamide, Load capacity 2550 kg / castor set	A	379,-	15,-	394,-
Skip Body Welded Oil and Watertight	A	78,-	0,-	78,-
BK 50, painted	A	984,-	278,-	1262,-
Lid, galvanized	A	98,-	20,-	118,-
Castor Set, polyamide, Load capacity 1350 kg / castor set	A	192,-	15,-	207,-
Heavy-duty Castor Set, polyamide, Load capacity 2550 kg / castor set	A	379,-	15,-	394,-
Skip Body Welded Oil and Watertight	A	78,-	0,-	78,-
BK 50, hot-dip galvanized	A	1327,-	407,-	1734,-
Lid, galvanized	A	98,-	20,-	118,-
Castor Set, polyamide, Load capacity 1350 kg / castor set	A	192,-	15,-	207,-
Heavy-duty Castor Set, polyamide, Load capacity 2550 kg / castor set	A	379,-	15,-	394,-
Skip Body Welded Oil and Watertight	A	78,-	0,-	78,-
BK 80, painted	A	1297,-	407,-	1704,-
Lid, galvanized	A	144,-	22,-	166,-
Castor Set, polyamide, Load capacity 1350 kg / castor set	A	192,-	15,-	207,-
Heavy-duty Castor Set, polyamide, Load capacity 2550 kg / castor set	A	379,-	15,-	394,-
Skip Body Welded Oil and Watertight	A	78,-	0,-	78,-
BK 80, hot-dip galvanized	A	1814,-	407,-	2221,-
Lid, galvanized	A	144,-	22,-	166,-
Castor Set, polyamide, Load capacity 1350 kg / castor set	A	192,-	15,-	207,-
Heavy-duty Castor Set, polyamide, Load capacity 2550 kg / castor set	A	379,-	15,-	394,-
Skip Body Welded Oil and Watertight	A	78,-	0,-	78,-
BK 100, painted	A	1508,-	407,-	1915,-
Lid, galvanized	A	173,-	27,-	200,-
Castor Set, polyamide, Load capacity 1350 kg / castor set	A	192,-	15,-	207,-
Heavy-duty Castor Set, polyamide, Load capacity 2550 kg / castor set	A	379,-	15,-	394,-
Skip Body Welded Oil and Watertight	A	121,-	0,-	121,-
BK 100, hot-dip galvanized	A	2070,-	407,-	2477,-
Lid, galvanized	A	173,-	27,-	200,-
Castor Set, polyamide, Load capacity 1350 kg / castor set	A	192,-	15,-	207,-
Heavy-duty Castor Set, polyamide, Load capacity 2550 kg / castor set	A	379,-	15,-	394,-
Skip Body Welded Oil and Watertight	A	121,-	0,-	121,-
BK 120, painted	A	1640,-	407,-	2047,-
Lid, galvanized	A	184,-	32,-	216,-
Castor Set, polyamide, Load capacity 1350 kg / castor set	A	192,-	15,-	207,-

Prices in EUR, valid EXW DE-46354 Südlohn, DE-38820 Halberstadt, unpacked
Freight charges valid CPT Ireland, islands and oversea territories excluded

Price List 0726 en-IE

Forklift Truck Attachments



Tilting Container Type BK	Category	Price	Freight charges	Price including freight charges
Heavy-duty Castor Set, polyamide, Load capacity 2550 kg / castor set	A	379,-	15,-	394,-
Skip Body Welded Oil and Watertight	A	121,-	0,-	121,-
BK 120, hot-dip galvanized	A	2235,-	407,-	2642,-
Lid, galvanized	A	184,-	32,-	216,-
Castor Set, polyamide, Load capacity 1350 kg / castor set	A	192,-	15,-	207,-
Heavy-duty Castor Set, polyamide, Load capacity 2550 kg / castor set	A	379,-	15,-	394,-
Skip Body Welded Oil and Watertight	A	121,-	0,-	121,-
BK 150, painted	A	1801,-	496,-	2297,-
Lid, galvanized	A	211,-	39,-	250,-
Castor Set, polyamide, Load capacity 1350 kg / castor set	A	192,-	15,-	207,-
Heavy-duty Castor Set, polyamide, Load capacity 2550 kg / castor set	A	379,-	15,-	394,-
Skip Body Welded Oil and Watertight	A	121,-	0,-	121,-
BK 150, hot-dip galvanized	A	2444,-	496,-	2940,-
Lid, galvanized	A	211,-	39,-	250,-
Castor Set, polyamide, Load capacity 1350 kg / castor set	A	192,-	15,-	207,-
Heavy-duty Castor Set, polyamide, Load capacity 2550 kg / castor set	A	379,-	15,-	394,-
Skip Body Welded Oil and Watertight	A	121,-	0,-	121,-
BK 200, painted	A	2240,-	496,-	2736,-
Lid, galvanized	A	223,-	183,-	406,-
Castor Set, polyamide, Load capacity 1350 kg / castor set	A	192,-	15,-	207,-
Heavy-duty Castor Set, polyamide, Load capacity 2550 kg / castor set	A	379,-	15,-	394,-
Skip Body Welded Oil and Watertight	A	121,-	0,-	121,-
BK 200, hot-dip galvanized	A	3052,-	641,-	3693,-
Lid, galvanized	A	223,-	183,-	406,-
Castor Set, polyamide, Load capacity 1350 kg / castor set	A	192,-	15,-	207,-
Heavy-duty Castor Set, polyamide, Load capacity 2550 kg / castor set	A	379,-	15,-	394,-
Skip Body Welded Oil and Watertight	A	121,-	0,-	121,-
Container With Drop Away Base Type BKB	Category	Price	Freight charges	Price including freight charges
BKB 500, painted	A	763,-	278,-	1041,-
Lid, galvanized	A	196,-	18,-	214,-
Castor Set, polyamide, Load capacity 1350 kg / castor set	A	192,-	15,-	207,-
BKB 500, hot-dip galvanized	A	907,-	278,-	1185,-
Lid, galvanized	A	196,-	18,-	214,-
Castor Set, polyamide, Load capacity 1350 kg / castor set	A	192,-	15,-	207,-
BKB 700, painted	A	816,-	278,-	1094,-
Lid, galvanized	A	196,-	18,-	214,-
Castor Set, polyamide, Load capacity 1350 kg / castor set	A	192,-	15,-	207,-
BKB 700, hot-dip galvanized	A	960,-	278,-	1238,-
Lid, galvanized	A	196,-	18,-	214,-
Castor Set, polyamide, Load capacity 1350 kg / castor set	A	192,-	15,-	207,-
BKB 1000, painted	A	865,-	278,-	1143,-
Lid, galvanized	A	196,-	18,-	214,-
Castor Set, polyamide, Load capacity 1350 kg / castor set	A	192,-	15,-	207,-
BKB 1000, hot-dip galvanized	A	1029,-	278,-	1307,-
Lid, galvanized	A	196,-	18,-	214,-

Prices in EUR, valid EXW DE-46354 Südlohn, DE-38820 Halberstadt, unpacked
Freight charges valid CPT Ireland, islands and oversea territories excluded

Price List 0726 en-IE

Forklift Truck Attachments



Container With Drop Away Base Type BKB	Category	Price	Freight charges	Price including freight charges
Castor Set, polyamide, Load capacity 1350 kg / castor set	A	192,-	15,-	207,-
Tilting Container Type BKC	Category	Price	Freight charges	Price including freight charges
BKC 200, painted	A	2308,-	641,-	2949,-
Lid, galvanized	A	450,-	183,-	633,-
Skip Body Welded Oil and Watertight	A	121,-	0,-	121,-
BKC 200, hot-dip galvanized	A	3089,-	641,-	3730,-
Lid, galvanized	A	450,-	183,-	633,-
Skip Body Welded Oil and Watertight	A	121,-	0,-	121,-
BKC 300, painted	A	2558,-	641,-	3199,-
Lid, galvanized	A	450,-	183,-	633,-
Skip Body Welded Oil and Watertight	A	121,-	0,-	121,-
BKC 300, hot-dip galvanized	A	3367,-	641,-	4008,-
Lid, galvanized	A	450,-	183,-	633,-
Skip Body Welded Oil and Watertight	A	121,-	0,-	121,-
BKC 400, painted	A	3150,-	641,-	3791,-
Lid, galvanized	A	450,-	278,-	728,-
Skip Body Welded Oil and Watertight	A	121,-	0,-	121,-
BKC 400, hot-dip galvanized	A	4067,-	800,-	4867,-
Lid, galvanized	A	450,-	278,-	728,-
Skip Body Welded Oil and Watertight	A	121,-	0,-	121,-
BKC 500, painted	A	3659,-	800,-	4459,-
Lid, galvanized	A	450,-	278,-	728,-
Skip Body Welded Oil and Watertight	A	121,-	0,-	121,-
BKC 500, hot-dip galvanized	A	4641,-	800,-	5441,-
Lid, galvanized	A	450,-	278,-	728,-
Skip Body Welded Oil and Watertight	A	121,-	0,-	121,-
Tilting Container Type BKC-H	Category	Price	Freight charges	Price including freight charges
BKC-H 200, painted	A	3422,-	641,-	4063,-
Lid, galvanized	A	450,-	183,-	633,-
Skip Body Welded Oil and Watertight	A	121,-	0,-	121,-
BKC-H 200, hot-dip galvanized	A	4204,-	641,-	4845,-
Lid, galvanized	A	450,-	183,-	633,-
Skip Body Welded Oil and Watertight	A	121,-	0,-	121,-
BKC-H 300, painted	A	3673,-	641,-	4314,-
Lid, galvanized	A	450,-	183,-	633,-
Skip Body Welded Oil and Watertight	A	121,-	0,-	121,-
BKC-H 300, hot-dip galvanized	A	4483,-	641,-	5124,-
Lid, galvanized	A	450,-	183,-	633,-
Skip Body Welded Oil and Watertight	A	121,-	0,-	121,-
BKC-H 400, painted	A	4265,-	641,-	4906,-
Lid, galvanized	A	450,-	278,-	728,-
Skip Body Welded Oil and Watertight	A	121,-	0,-	121,-
BKC-H 400, hot-dip galvanized	A	5182,-	800,-	5982,-

Prices in EUR, valid EXW DE-46354 Südlohn, DE-38820 Halberstadt, unpacked
Freight charges valid CPT Ireland, islands and oversea territories excluded

Price List 0726 en-IE

Forklift Truck Attachments



Tilting Container Type BKC-H	Category	Price	Freight charges	Price including freight charges
Lid, galvanized	A	450,-	278,-	728,-
Skip Body Welded Oil and Watertight	A	121,-	0,-	121,-
BKC-H 500, painted	A	4774,-	800,-	5574,-
Lid, galvanized	A	450,-	278,-	728,-
Skip Body Welded Oil and Watertight	A	121,-	0,-	121,-
BKC-H 500, hot-dip galvanized	A	5756,-	800,-	6556,-
Lid, galvanized	A	450,-	278,-	728,-
Skip Body Welded Oil and Watertight	A	121,-	0,-	121,-

Tilting Container Type BKM	Category	Price	Freight charges	Price including freight charges
BKM 30, painted	A	700,-	278,-	978,-
Lid, galvanized	A	104,-	18,-	122,-
Castor Set, polyamide, Load capacity 1350 kg / castor set	A	192,-	15,-	207,-
Heavy-duty Castor Set, polyamide, Load capacity 2550 kg / castor set	A	379,-	15,-	394,-
Skip Body Welded Oil and Watertight	A	78,-	0,-	78,-
BKM 30, hot-dip galvanized	A	984,-	278,-	1262,-
Lid, galvanized	A	104,-	18,-	122,-
Castor Set, polyamide, Load capacity 1350 kg / castor set	A	192,-	15,-	207,-
Heavy-duty Castor Set, polyamide, Load capacity 2550 kg / castor set	A	379,-	15,-	394,-
Skip Body Welded Oil and Watertight	A	78,-	0,-	78,-
BKM 50, painted	A	984,-	278,-	1262,-
Lid, galvanized	A	130,-	21,-	151,-
Castor Set, polyamide, Load capacity 1350 kg / castor set	A	192,-	15,-	207,-
Heavy-duty Castor Set, polyamide, Load capacity 2550 kg / castor set	A	379,-	15,-	394,-
Skip Body Welded Oil and Watertight	A	78,-	0,-	78,-
BKM 50, hot-dip galvanized	A	1327,-	278,-	1605,-
Lid, galvanized	A	130,-	21,-	151,-
Castor Set, polyamide, Load capacity 1350 kg / castor set	A	192,-	15,-	207,-
Heavy-duty Castor Set, polyamide, Load capacity 2550 kg / castor set	A	379,-	15,-	394,-
Skip Body Welded Oil and Watertight	A	78,-	0,-	78,-
BKM 75, painted	A	1246,-	407,-	1653,-
Lid, galvanized	A	142,-	22,-	164,-
Castor Set, polyamide, Load capacity 1350 kg / castor set	A	192,-	15,-	207,-
Heavy-duty Castor Set, polyamide, Load capacity 2550 kg / castor set	A	379,-	15,-	394,-
Skip Body Welded Oil and Watertight	A	78,-	0,-	78,-
BKM 75, hot-dip galvanized	A	1672,-	407,-	2079,-
Lid, galvanized	A	142,-	22,-	164,-
Castor Set, polyamide, Load capacity 1350 kg / castor set	A	192,-	15,-	207,-
Heavy-duty Castor Set, polyamide, Load capacity 2550 kg / castor set	A	379,-	15,-	394,-
Skip Body Welded Oil and Watertight	A	78,-	0,-	78,-
BKM 100, painted	A	1508,-	407,-	1915,-
Lid, galvanized	A	185,-	27,-	212,-
Castor Set, polyamide, Load capacity 1350 kg / castor set	A	192,-	15,-	207,-
Heavy-duty Castor Set, polyamide, Load capacity 2550 kg / castor set	A	379,-	15,-	394,-
Skip Body Welded Oil and Watertight	A	121,-	0,-	121,-
BKM 100, hot-dip galvanized	A	2070,-	407,-	2477,-

Prices in EUR, valid EXW DE-46354 Südlohn, DE-38820 Halberstadt, unpacked
Freight charges valid CPT Ireland, islands and oversea territories excluded

Price List 0726 en-IE

Forklift Truck Attachments



Tilting Container Type BKM	Category	Price	Freight charges	Price including freight charges
Lid, galvanized	A	185,-	27,-	212,-
Castor Set, polyamide, Load capacity 1350 kg / castor set	A	192,-	15,-	207,-
Heavy-duty Castor Set, polyamide, Load capacity 2550 kg / castor set	A	379,-	15,-	394,-
Skip Body Welded Oil and Watertight	A	121,-	0,-	121,-
BKM 150, painted	A	1801,-	496,-	2297,-
Lid, galvanized	A	271,-	36,-	307,-
Castor Set, polyamide, Load capacity 1350 kg / castor set	A	192,-	15,-	207,-
Heavy-duty Castor Set, polyamide, Load capacity 2550 kg / castor set	A	379,-	15,-	394,-
Skip Body Welded Oil and Watertight	A	121,-	0,-	121,-
BKM 150, hot-dip galvanized	A	2444,-	496,-	2940,-
Lid, galvanized	A	271,-	36,-	307,-
Castor Set, polyamide, Load capacity 1350 kg / castor set	A	192,-	15,-	207,-
Heavy-duty Castor Set, polyamide, Load capacity 2550 kg / castor set	A	379,-	15,-	394,-
Skip Body Welded Oil and Watertight	A	121,-	0,-	121,-
BKM 200, painted	A	2240,-	496,-	2736,-
Lid, galvanized	A	302,-	183,-	485,-
Castor Set, polyamide, Load capacity 1350 kg / castor set	A	192,-	15,-	207,-
Heavy-duty Castor Set, polyamide, Load capacity 2550 kg / castor set	A	379,-	15,-	394,-
Skip Body Welded Oil and Watertight	A	121,-	0,-	121,-
Lid, galvanized	A	302,-	183,-	485,-
Castor Set, polyamide, Load capacity 1350 kg / castor set	A	192,-	15,-	207,-
Heavy-duty Castor Set, polyamide, Load capacity 2550 kg / castor set	A	379,-	15,-	394,-
Skip Body Welded Oil and Watertight	A	121,-	0,-	121,-
Traverse For Stacking Tipplers Type BKT	Category	Price	Freight charges	Price including freight charges
BKT 30, painted	A	368,-	278,-	646,-
Traverse Stand Type TS, hot-dip galvanized	A	78,-	8,-	86,-
BKT 55, painted	A	390,-	278,-	668,-
Traverse Stand Type TS, hot-dip galvanized	A	78,-	9,-	87,-
BKT 70, painted	A	390,-	278,-	668,-
Traverse Stand Type TS, hot-dip galvanized	A	78,-	9,-	87,-
BKT 90, painted	A	392,-	278,-	670,-
Traverse Stand Type TS, hot-dip galvanized	A	78,-	9,-	87,-
BKT 150, painted	A	631,-	278,-	909,-
Traverse Stand Type TS, hot-dip galvanized	A	78,-	9,-	87,-
BKT 200, painted	A	696,-	278,-	974,-
Traverse Stand Type TS, hot-dip galvanized	A	78,-	9,-	87,-
Shovel Type BSE	Category	Price	Freight charges	Price including freight charges
BSE 50, painted	A	1486,-	407,-	1893,-
BSE 75, painted	A	1769,-	407,-	2176,-
BSE 100, painted	A	2219,-	496,-	2715,-
BSE 150, painted	A	2507,-	496,-	3003,-
BSE 200, painted	A	2786,-	641,-	3427,-
BSE 250, painted	A	3433,-	695,-	4128,-

Prices in EUR, valid EXW DE-46354 Südlohn, DE-38820 Halberstadt, unpacked
Freight charges valid CPT Ireland, islands and oversea territories excluded

Price List 0726 en-IE

Forklift Truck Attachments



Shovel Type BSI	Category	Price	Freight charges	Price including freight charges
BSI 50, painted	A	1257,-	278,-	1535,-
BSI 75, painted	A	1424,-	407,-	1831,-
BSI 100, painted	A	1786,-	407,-	2193,-
Stacking Tipper Type BSK	Category	Price	Freight charges	Price including freight charges
BSK 30, painted	A	265,-	183,-	448,-
Lid, galvanized	A	69,-	12,-	81,-
Castor Set, polyamide, Load capacity 1350 kg / castor set	A	192,-	15,-	207,-
Skip Body Welded Oil and Watertight	A	78,-	0,-	78,-
Set of 5 self-adhesive stickers with symbols for: glass, paper, plastic, metal, residual waste	A	29,-	on request	on request
BSK 30, hot-dip galvanized	A	320,-	183,-	503,-
Lid, galvanized	A	69,-	12,-	81,-
Castor Set, polyamide, Load capacity 1350 kg / castor set	A	192,-	15,-	207,-
Skip Body Welded Oil and Watertight	A	78,-	0,-	78,-
Set of 5 self-adhesive stickers with symbols for: glass, paper, plastic, metal, residual waste	A	29,-	on request	on request
BSK 55, painted	A	332,-	183,-	515,-
Lid, galvanized	A	98,-	15,-	113,-
Castor Set, polyamide, Load capacity 1350 kg / castor set	A	192,-	15,-	207,-
Skip Body Welded Oil and Watertight	A	78,-	0,-	78,-
Set of 5 self-adhesive stickers with symbols for: glass, paper, plastic, metal, residual waste	A	29,-	on request	on request
BSK 55, hot-dip galvanized	A	405,-	183,-	588,-
Lid, galvanized	A	98,-	15,-	113,-
Castor Set, polyamide, Load capacity 1350 kg / castor set	A	192,-	15,-	207,-
Skip Body Welded Oil and Watertight	A	78,-	0,-	78,-
Set of 5 self-adhesive stickers with symbols for: glass, paper, plastic, metal, residual waste	A	29,-	on request	on request
BSK 70, painted	A	352,-	183,-	535,-
Lid, galvanized	A	122,-	15,-	137,-
Castor Set, polyamide, Load capacity 1350 kg / castor set	A	192,-	15,-	207,-
Skip Body Welded Oil and Watertight	A	78,-	0,-	78,-
Set of 5 self-adhesive stickers with symbols for: glass, paper, plastic, metal, residual waste	A	29,-	on request	on request
BSK 70, hot-dip galvanized	A	457,-	183,-	640,-
Lid, galvanized	A	122,-	15,-	137,-
Castor Set, polyamide, Load capacity 1350 kg / castor set	A	192,-	15,-	207,-
Skip Body Welded Oil and Watertight	A	78,-	0,-	78,-
Set of 5 self-adhesive stickers with symbols for: glass, paper, plastic, metal, residual waste	A	29,-	on request	on request
BSK 90, painted	A	379,-	183,-	562,-
Lid, galvanized	A	166,-	18,-	184,-
Castor Set, polyamide, Load capacity 1350 kg / castor set	A	192,-	15,-	207,-
Skip Body Welded Oil and Watertight	A	78,-	0,-	78,-
Set of 5 self-adhesive stickers with symbols for: glass, paper, plastic, metal, residual waste	A	29,-	on request	on request
BSK 90, hot-dip galvanized	A	487,-	278,-	765,-
Lid, galvanized	A	166,-	18,-	184,-
Castor Set, polyamide, Load capacity 1350 kg / castor set	A	192,-	15,-	207,-
Skip Body Welded Oil and Watertight	A	78,-	0,-	78,-
Set of 5 self-adhesive stickers with symbols for: glass, paper, plastic, metal, residual waste	A	29,-	on request	on request
BSK 150, painted	A	871,-	278,-	1149,-

Prices in EUR, valid EXW DE-46354 Südlohn, DE-38820 Halberstadt, unpacked
Freight charges valid CPT Ireland, islands and oversea territories excluded

Price List 0726 en-IE

Forklift Truck Attachments



Stacking Tipper Type BSK	Category	Price	Freight charges	Price including freight charges
Lid, galvanized	A	223,-	21,-	244,-
Castor Set, polyamide, Load capacity 1350 kg / castor set	A	192,-	15,-	207,-
Skip Body Welded Oil and Watertight	A	121,-	0,-	121,-
Set of 5 self-adhesive stickers with symbols for: glass, paper, plastic, metal, residual waste	A	29,-	on request	on request
BSK 150, hot-dip galvanized	A	1019,-	278,-	1297,-
Lid, galvanized	A	223,-	21,-	244,-
Castor Set, polyamide, Load capacity 1350 kg / castor set	A	192,-	15,-	207,-
Skip Body Welded Oil and Watertight	A	121,-	0,-	121,-
Set of 5 self-adhesive stickers with symbols for: glass, paper, plastic, metal, residual waste	A	29,-	on request	on request
BSK 200, painted	A	934,-	278,-	1212,-
Lid, galvanized	A	284,-	26,-	310,-
Castor Set, polyamide, Load capacity 1350 kg / castor set	A	192,-	15,-	207,-
Skip Body Welded Oil and Watertight	A	121,-	0,-	121,-
Set of 5 self-adhesive stickers with symbols for: glass, paper, plastic, metal, residual waste	A	29,-	on request	on request
BSK 200, hot-dip galvanized	A	1169,-	278,-	1447,-
Lid, galvanized	A	284,-	26,-	310,-
Castor Set, polyamide, Load capacity 1350 kg / castor set	A	192,-	15,-	207,-
Skip Body Welded Oil and Watertight	A	121,-	0,-	121,-
Set of 5 self-adhesive stickers with symbols for: glass, paper, plastic, metal, residual waste	A	29,-	on request	on request
Lattice Tilting Container Type BSK-G	Category	Price	Freight charges	Price including freight charges
BSK-G 90, painted	A	344,-	183,-	527,-
Lid, galvanized	A	166,-	18,-	184,-
Castor Set, polyamide, Load capacity 1350 kg / castor set	A	192,-	15,-	207,-
BSK-G 90, hot-dip galvanized	A	419,-	183,-	602,-
Lid, galvanized	A	166,-	18,-	184,-
Castor Set, polyamide, Load capacity 1350 kg / castor set	A	192,-	15,-	207,-
Swarf Stacking Tipper Type BSL	Category	Price	Freight charges	Price including freight charges
BSL 30, painted	A	590,-	183,-	773,-
Lid, galvanized	A	69,-	12,-	81,-
Castor Set, polyamide, Load capacity 1350 kg / castor set	A	192,-	15,-	207,-
BSL 30, hot-dip galvanized	A	679,-	183,-	862,-
Lid, galvanized	A	69,-	12,-	81,-
Castor Set, polyamide, Load capacity 1350 kg / castor set	A	192,-	15,-	207,-
BSL 55, painted	A	726,-	278,-	1004,-
Lid, galvanized	A	98,-	15,-	113,-
Castor Set, polyamide, Load capacity 1350 kg / castor set	A	192,-	15,-	207,-
BSL 55, hot-dip galvanized	A	852,-	278,-	1130,-
Lid, galvanized	A	98,-	15,-	113,-
Castor Set, polyamide, Load capacity 1350 kg / castor set	A	192,-	15,-	207,-
BSL 70, painted	A	763,-	278,-	1041,-
Lid, galvanized	A	122,-	15,-	137,-
Castor Set, polyamide, Load capacity 1350 kg / castor set	A	192,-	15,-	207,-
BSL 70, hot-dip galvanized	A	912,-	278,-	1190,-

Prices in EUR, valid EXW DE-46354 Südlohn, DE-38820 Halberstadt, unpacked
Freight charges valid CPT Ireland, islands and oversea territories excluded

Price List 0726 en-IE

Forklift Truck Attachments



Swarf Stacking Tipper Type BSL	Category	Price	Freight charges	Price including freight charges
Lid, galvanized	A	122,-	15,-	137,-
Castor Set, polyamide, Load capacity 1350 kg / castor set	A	192,-	15,-	207,-
BSL 90, painted	A	830,-	278,-	1108,-
Lid, galvanized	A	166,-	18,-	184,-
Castor Set, polyamide, Load capacity 1350 kg / castor set	A	192,-	15,-	207,-
BSL 90, hot-dip galvanized	A	1004,-	278,-	1282,-
Lid, galvanized	A	166,-	18,-	184,-
Castor Set, polyamide, Load capacity 1350 kg / castor set	A	192,-	15,-	207,-
BSL 150, painted	A	1227,-	278,-	1505,-
Lid, galvanized	A	223,-	21,-	244,-
Castor Set, polyamide, Load capacity 1350 kg / castor set	A	192,-	15,-	207,-
BSL 150, hot-dip galvanized	A	1490,-	407,-	1897,-
Lid, galvanized	A	223,-	21,-	244,-
Castor Set, polyamide, Load capacity 1350 kg / castor set	A	192,-	15,-	207,-
BSL 200, painted	A	1327,-	407,-	1734,-
Lid, galvanized	A	284,-	26,-	310,-
Castor Set, polyamide, Load capacity 1350 kg / castor set	A	192,-	15,-	207,-
BSL 200, hot-dip galvanized	A	1792,-	407,-	2199,-
Lid, galvanized	A	284,-	26,-	310,-
Castor Set, polyamide, Load capacity 1350 kg / castor set	A	192,-	15,-	207,-

Shovel Type BSM	Category	Price	Freight charges	Price including freight charges
BSM 50, painted	A	1486,-	278,-	1764,-
BSM 75, painted	A	1769,-	407,-	2176,-
BSM 100, painted	A	2219,-	496,-	2715,-
BSM 150, painted	A	2507,-	496,-	3003,-
BSM 200, painted	A	2786,-	641,-	3427,-
BSM 250, painted	A	3433,-	695,-	4128,-

Swarf Stacking Tipper Type BSS	Category	Price	Freight charges	Price including freight charges
BSS 30, painted	A	422,-	183,-	605,-
Lid, galvanized	A	69,-	12,-	81,-
Castor Set, polyamide, Load capacity 1350 kg / castor set	A	192,-	15,-	207,-
BSS 30, hot-dip galvanized	A	490,-	183,-	673,-
Lid, galvanized	A	69,-	12,-	81,-
Castor Set, polyamide, Load capacity 1350 kg / castor set	A	192,-	15,-	207,-
BSS 55, painted	A	523,-	183,-	706,-
Lid, galvanized	A	98,-	15,-	113,-
Castor Set, polyamide, Load capacity 1350 kg / castor set	A	192,-	15,-	207,-
BSS 55, hot-dip galvanized	A	648,-	183,-	831,-
Lid, galvanized	A	98,-	15,-	113,-
Castor Set, polyamide, Load capacity 1350 kg / castor set	A	192,-	15,-	207,-
BSS 70, painted	A	561,-	183,-	744,-
Lid, galvanized	A	122,-	15,-	137,-
Castor Set, polyamide, Load capacity 1350 kg / castor set	A	192,-	15,-	207,-

Prices in EUR, valid EXW DE-46354 Südlohn, DE-38820 Halberstadt, unpacked
 Freight charges valid CPT Ireland, islands and oversea territories excluded

Price List 0726 en-IE

Forklift Truck Attachments



Swarf Stacking Tipper Type BSS	Category	Price	Freight charges	Price including freight charges
BSS 70, hot-dip galvanized	A	708,-	278,-	986,-
Lid, galvanized	A	122,-	15,-	137,-
Castor Set, polyamide, Load capacity 1350 kg / castor set	A	192,-	15,-	207,-
BSS 90, painted	A	597,-	278,-	875,-
Lid, galvanized	A	166,-	18,-	184,-
Castor Set, polyamide, Load capacity 1350 kg / castor set	A	192,-	15,-	207,-
BSS 90, hot-dip galvanized	A	765,-	278,-	1043,-
Lid, galvanized	A	166,-	18,-	184,-
Castor Set, polyamide, Load capacity 1350 kg / castor set	A	192,-	15,-	207,-
BSS 150, painted	A	907,-	278,-	1185,-
Lid, galvanized	A	223,-	21,-	244,-
Castor Set, polyamide, Load capacity 1350 kg / castor set	A	192,-	15,-	207,-
BSS 150, hot-dip galvanized	A	1166,-	278,-	1444,-
Lid, galvanized	A	223,-	21,-	244,-
Castor Set, polyamide, Load capacity 1350 kg / castor set	A	192,-	15,-	207,-
BSS 200, painted	A	1024,-	278,-	1302,-
Lid, galvanized	A	284,-	26,-	310,-
Castor Set, polyamide, Load capacity 1350 kg / castor set	A	192,-	15,-	207,-
BSS 200, hot-dip galvanized	A	1371,-	407,-	1778,-
Lid, galvanized	A	284,-	26,-	310,-
Castor Set, polyamide, Load capacity 1350 kg / castor set	A	192,-	15,-	207,-

Traverse For Stacking Tipper Type BST	Category	Price	Freight charges	Price including freight charges
BST 30, painted	A	332,-	183,-	515,-
Traverse Stand Type TS, hot-dip galvanized	A	78,-	8,-	86,-
BST 55, painted	A	354,-	183,-	537,-
Traverse Stand Type TS, hot-dip galvanized	A	78,-	9,-	87,-
BST 70, painted	A	354,-	183,-	537,-
Traverse Stand Type TS, hot-dip galvanized	A	78,-	9,-	87,-
BST 90, painted	A	368,-	183,-	551,-
Traverse Stand Type TS, hot-dip galvanized	A	78,-	9,-	87,-
BST 150, painted	A	551,-	278,-	829,-
Traverse Stand Type TS, hot-dip galvanized	A	78,-	9,-	87,-
BST 200, painted	A	612,-	278,-	890,-
Traverse Stand Type TS, hot-dip galvanized	A	78,-	9,-	87,-

Traverse For Stacking Tipper Type BST-H	Category	Price	Freight charges	Price including freight charges
BST-H 30, painted	A	2127,-	278,-	2405,-
Traverse Stand Type TS, hot-dip galvanized	A	78,-	8,-	86,-
BST-H 55, painted	A	2257,-	278,-	2535,-
Traverse Stand Type TS, hot-dip galvanized	A	78,-	8,-	86,-
BST-H 70, painted	A	2257,-	278,-	2535,-
Traverse Stand Type TS, hot-dip galvanized	A	78,-	8,-	86,-
BST-H 90, painted	A	2374,-	278,-	2652,-
Traverse Stand Type TS, hot-dip galvanized	A	78,-	8,-	86,-

Prices in EUR, valid EXW DE-46354 Südlohn, DE-38820 Halberstadt, unpacked
 Freight charges valid CPT Ireland, islands and oversea territories excluded

Price List 0726 en-IE

Forklift Truck Attachments



Traverse For Stacking Tipper Type BST-H	Category	Price	Freight charges	Price including freight charges
BST-H 150, painted	A	2700,-	407,-	3107,-
Traverse Stand Type TS, hot-dip galvanized	A	78,-	9,-	87,-
BST-H 200, painted	A	2972,-	407,-	3379,-
Traverse Stand Type TS, hot-dip galvanized	A	78,-	9,-	87,-
Traverse For Stacking Tipper Type BST-U	Category	Price	Freight charges	Price including freight charges
BST-U 30, painted	A	956,-	278,-	1234,-
BST-U 55, painted	A	1020,-	278,-	1298,-
BST-U 70, painted	A	1020,-	278,-	1298,-
BST-U 90, painted	A	1047,-	278,-	1325,-
Beam Traverse Type BT	Category	Price	Freight charges	Price including freight charges
BT 3001, painted	A	1877,-	360,-	2237,-
Support frames, hot-dip galvanized	A	276,-	183,-	459,-
BT 3002, painted	A	2117,-	360,-	2477,-
Support frames, hot-dip galvanized	A	276,-	183,-	459,-
BT 3003, painted	A	2276,-	360,-	2636,-
Support frames, hot-dip galvanized	A	276,-	183,-	459,-
BT 3005, painted	A	2596,-	488,-	3084,-
Support frames, hot-dip galvanized	A	276,-	183,-	459,-
Filling Hopper Type BTM	Category	Price	Freight charges	Price including freight charges
BTM, painted	A	2461,-	496,-	2957,-
Filling Hopper Type BTS	Category	Price	Freight charges	Price including freight charges
BTS, painted	A	2107,-	496,-	2603,-
Bin Type C	Category	Price	Freight charges	Price including freight charges
C 30, painted	A	422,-	183,-	605,-
C 30, hot-dip galvanized	A	463,-	183,-	646,-
C 80, painted	A	607,-	183,-	790,-
C 80, hot-dip galvanized	A	653,-	183,-	836,-
Swarf Bin Type CS	Category	Price	Freight charges	Price including freight charges
CS 30, painted	A	486,-	183,-	669,-
CS 30, hot-dip galvanized	A	532,-	183,-	715,-
CS 80, painted	A	717,-	183,-	900,-
CS 80, hot-dip galvanized	A	766,-	278,-	1044,-
Shovel Type DGS	Category	Price	Freight charges	Price including freight charges
DGS 500, painted	A	2655,-	407,-	3062,-
DGS 700, painted	A	2685,-	407,-	3092,-
DGS 950, painted	A	2723,-	496,-	3219,-
DGS 1200, painted	A	2924,-	496,-	3420,-

Prices in EUR, valid EXW DE-46354 Südlohn, DE-38820 Halberstadt, unpacked
Freight charges valid CPT Ireland, islands and oversea territories excluded

Price List 0726 en-IE

Forklift Truck Attachments



Tilting Container Type DUO	Category	Price	Freight charges	Price including freight charges
DUO, painted	A	1867,-	407,-	2274,-
Lid, galvanized	A	236,-	27,-	263,-
Castor Set, polyamide, Load capacity 1350 kg / castor set	A	192,-	15,-	207,-
Set of 5 self-adhesive stickers with symbols for: glass, paper, plastic, metal, residual waste	A	29,-	on request	on request
Tilting Container Type EXPO®	Category	Price	Freight charges	Price including freight charges
EXPO 150, painted	A	608,-	183,-	791,-
Lid, galvanized	A	174,-	18,-	192,-
Castor Set, polyamide, Load capacity 1050 kg / castor set	A	156,-	15,-	171,-
Skip Body Welded Oil and Watertight	A	78,-	0,-	78,-
EXPO 150, hot-dip galvanized	A	717,-	183,-	900,-
Lid, galvanized	A	174,-	18,-	192,-
Castor Set, polyamide, Load capacity 1050 kg / castor set	A	156,-	15,-	171,-
Skip Body Welded Oil and Watertight	A	78,-	0,-	78,-
EXPO 225, painted	A	662,-	183,-	845,-
Lid, galvanized	A	174,-	18,-	192,-
Castor Set, polyamide, Load capacity 1050 kg / castor set	A	156,-	15,-	171,-
Skip Body Welded Oil and Watertight	A	78,-	0,-	78,-
EXPO 225, hot-dip galvanized	A	785,-	183,-	968,-
Lid, galvanized	A	174,-	18,-	192,-
Castor Set, polyamide, Load capacity 1050 kg / castor set	A	156,-	15,-	171,-
Skip Body Welded Oil and Watertight	A	78,-	0,-	78,-
EXPO 275, painted	A	691,-	183,-	874,-
Lid, galvanized	A	174,-	18,-	192,-
Castor Set, polyamide, Load capacity 1050 kg / castor set	A	156,-	15,-	171,-
Skip Body Welded Oil and Watertight	A	78,-	0,-	78,-
EXPO 275, hot-dip galvanized	A	826,-	183,-	1009,-
Lid, galvanized	A	174,-	18,-	192,-
Castor Set, polyamide, Load capacity 1050 kg / castor set	A	156,-	15,-	171,-
Skip Body Welded Oil and Watertight	A	78,-	0,-	78,-
EXPO 300, painted	A	623,-	278,-	901,-
Lid, galvanized	A	174,-	18,-	192,-
Castor Set, polyamide, Load capacity 1350 kg / castor set	A	192,-	15,-	207,-
Skip Body Welded Oil and Watertight	A	78,-	0,-	78,-
EXPO 300, hot-dip galvanized	A	798,-	278,-	1076,-
Lid, galvanized	A	174,-	18,-	192,-
Castor Set, polyamide, Load capacity 1350 kg / castor set	A	192,-	15,-	207,-
Skip Body Welded Oil and Watertight	A	78,-	0,-	78,-
EXPO 600, painted	A	733,-	278,-	1011,-
Lid, galvanized	A	196,-	22,-	218,-
Castor Set, polyamide, Load capacity 1350 kg / castor set	A	192,-	15,-	207,-
Skip Body Welded Oil and Watertight	A	78,-	0,-	78,-
EXPO 600, hot-dip galvanized	A	879,-	278,-	1157,-
Lid, galvanized	A	196,-	22,-	218,-
Castor Set, polyamide, Load capacity 1350 kg / castor set	A	192,-	15,-	207,-
Skip Body Welded Oil and Watertight	A	78,-	0,-	78,-

Prices in EUR, valid EXW DE-46354 Südlohn, DE-38820 Halberstadt, unpacked
Freight charges valid CPT Ireland, islands and oversea territories excluded

Price List 0726 en-IE

Forklift Truck Attachments



Tilting Container Type EXPO®	Category	Price	Freight charges	Price including freight charges
EXPO 900, painted	A	818,-	278,-	1096,-
Lid, galvanized	A	223,-	27,-	250,-
Castor Set, polyamide, Load capacity 1350 kg / castor set	A	192,-	15,-	207,-
Skip Body Welded Oil and Watertight	A	78,-	0,-	78,-
EXPO 900, hot-dip galvanized	A	964,-	278,-	1242,-
Lid, galvanized	A	223,-	27,-	250,-
Castor Set, polyamide, Load capacity 1350 kg / castor set	A	192,-	15,-	207,-
Skip Body Welded Oil and Watertight	A	78,-	0,-	78,-
EXPO 1200, painted	A	885,-	407,-	1292,-
Lid, galvanized	A	223,-	26,-	249,-
Castor Set, polyamide, Load capacity 1350 kg / castor set	A	192,-	15,-	207,-
Skip Body Welded Oil and Watertight	A	121,-	0,-	121,-
EXPO 1200, hot-dip galvanized	A	1042,-	407,-	1449,-
Lid, galvanized	A	223,-	26,-	249,-
Castor Set, polyamide, Load capacity 1350 kg / castor set	A	192,-	15,-	207,-
Skip Body Welded Oil and Watertight	A	121,-	0,-	121,-
EXPO 1700, painted	A	1202,-	407,-	1609,-
Lid, galvanized	A	276,-	33,-	309,-
Castor Set, polyamide, Load capacity 1350 kg / castor set	A	192,-	15,-	207,-
Skip Body Welded Oil and Watertight	A	121,-	0,-	121,-
EXPO 1700, hot-dip galvanized	A	1435,-	407,-	1842,-
Lid, galvanized	A	276,-	33,-	309,-
Castor Set, polyamide, Load capacity 1350 kg / castor set	A	192,-	15,-	207,-
Skip Body Welded Oil and Watertight	A	121,-	0,-	121,-
EXPO 2100, painted	A	1325,-	407,-	1732,-
Lid, galvanized	A	360,-	36,-	396,-
Castor Set, polyamide, Load capacity 1350 kg / castor set	A	192,-	15,-	207,-
Skip Body Welded Oil and Watertight	A	121,-	0,-	121,-
EXPO 2100, hot-dip galvanized	A	1606,-	407,-	2013,-
Lid, galvanized	A	360,-	36,-	396,-
Castor Set, polyamide, Load capacity 1350 kg / castor set	A	192,-	15,-	207,-
Skip Body Welded Oil and Watertight	A	121,-	0,-	121,-
Swarf Tilting Container Type EXPO®-E	Category	Price	Freight charges	Price including freight charges
EXPO-E 150, painted	A	729,-	183,-	912,-
Lid, galvanized	A	174,-	18,-	192,-
Castor Set, polyamide, Load capacity 1050 kg / castor set	A	156,-	15,-	171,-
EXPO-E 150, hot-dip galvanized	A	837,-	183,-	1020,-
Lid, galvanized	A	174,-	18,-	192,-
Castor Set, polyamide, Load capacity 1050 kg / castor set	A	156,-	15,-	171,-
EXPO-E 225, painted	A	782,-	183,-	965,-
Lid, galvanized	A	174,-	18,-	192,-
Castor Set, polyamide, Load capacity 1050 kg / castor set	A	156,-	15,-	171,-
EXPO-E 225, hot-dip galvanized	A	907,-	183,-	1090,-
Lid, galvanized	A	174,-	18,-	192,-
Castor Set, polyamide, Load capacity 1050 kg / castor set	A	156,-	15,-	171,-

Prices in EUR, valid EXW DE-46354 Südlohn, DE-38820 Halberstadt, unpacked
Freight charges valid CPT Ireland, islands and oversea territories excluded

Price List 0726 en-IE

Forklift Truck Attachments



Swarf Tilting Container Type EXPO®-E	Category	Price	Freight charges	Price including freight charges
EXPO-E 275, painted	A	812,-	183,-	995,-
Lid, galvanized	A	174,-	18,-	192,-
Castor Set, polyamide, Load capacity 1050 kg / castor set	A	156,-	15,-	171,-
EXPO-E 275, hot-dip galvanized	A	944,-	183,-	1127,-
Lid, galvanized	A	174,-	18,-	192,-
Castor Set, polyamide, Load capacity 1050 kg / castor set	A	156,-	15,-	171,-
EXPO-E 300, painted	A	744,-	278,-	1022,-
Lid, galvanized	A	174,-	18,-	192,-
Castor Set, polyamide, Load capacity 1350 kg / castor set	A	192,-	15,-	207,-
EXPO-E 300, hot-dip galvanized	A	919,-	278,-	1197,-
Lid, galvanized	A	174,-	18,-	192,-
Castor Set, polyamide, Load capacity 1350 kg / castor set	A	192,-	15,-	207,-
EXPO-E 600, painted	A	853,-	278,-	1131,-
Lid, galvanized	A	196,-	22,-	218,-
Castor Set, polyamide, Load capacity 1350 kg / castor set	A	192,-	15,-	207,-
EXPO-E 600, hot-dip galvanized	A	999,-	278,-	1277,-
Lid, galvanized	A	196,-	22,-	218,-
Castor Set, polyamide, Load capacity 1350 kg / castor set	A	192,-	15,-	207,-
EXPO-E 900, painted	A	938,-	278,-	1216,-
Lid, galvanized	A	223,-	27,-	250,-
Castor Set, polyamide, Load capacity 1350 kg / castor set	A	192,-	15,-	207,-
EXPO-E 900, hot-dip galvanized	A	1085,-	278,-	1363,-
Lid, galvanized	A	223,-	27,-	250,-
Castor Set, polyamide, Load capacity 1350 kg / castor set	A	192,-	15,-	207,-
EXPO-E 1200, painted	A	1048,-	407,-	1455,-
Lid, galvanized	A	223,-	26,-	249,-
Castor Set, polyamide, Load capacity 1350 kg / castor set	A	192,-	15,-	207,-
EXPO-E 1200, hot-dip galvanized	A	1204,-	407,-	1611,-
Lid, galvanized	A	223,-	26,-	249,-
Castor Set, polyamide, Load capacity 1350 kg / castor set	A	192,-	15,-	207,-
EXPO-E 1700, painted	A	1365,-	407,-	1772,-
Lid, galvanized	A	276,-	33,-	309,-
Castor Set, polyamide, Load capacity 1350 kg / castor set	A	192,-	15,-	207,-
EXPO-E 1700, hot-dip galvanized	A	1598,-	407,-	2005,-
Lid, galvanized	A	276,-	33,-	309,-
Castor Set, polyamide, Load capacity 1350 kg / castor set	A	192,-	15,-	207,-
EXPO-E 2100, painted	A	1488,-	407,-	1895,-
Lid, galvanized	A	360,-	36,-	396,-
Castor Set, polyamide, Load capacity 1350 kg / castor set	A	192,-	15,-	207,-
EXPO-E 2100, hot-dip galvanized	A	1768,-	407,-	2175,-
Lid, galvanized	A	360,-	36,-	396,-
Castor Set, polyamide, Load capacity 1350 kg / castor set	A	192,-	15,-	207,-
Container With Drop Away Base Type FB	Category	Price	Freight charges	Price including freight charges
FB 500, painted	A	809,-	278,-	1087,-
Lid, galvanized	A	196,-	15,-	211,-

Prices in EUR, valid EXW DE-46354 Südlohn, DE-38820 Halberstadt, unpacked
Freight charges valid CPT Ireland, islands and oversea territories excluded

Price List 0726 en-IE

Forklift Truck Attachments



Container With Drop Away Base Type FB	Category	Price	Freight charges	Price including freight charges
Castor Set, polyamide, Load capacity 1350 kg / castor set	A	192,-	15,-	207,-
Guiding Plates, galvanized	A	116,-	12,-	128,-
FB 500, hot-dip galvanized	A	994,-	278,-	1272,-
Lid, galvanized	A	196,-	15,-	211,-
Castor Set, polyamide, Load capacity 1350 kg / castor set	A	192,-	15,-	207,-
Guiding Plates, galvanized	A	116,-	12,-	128,-
FB 750, painted	A	880,-	278,-	1158,-
Lid, galvanized	A	196,-	15,-	211,-
Castor Set, polyamide, Load capacity 1350 kg / castor set	A	192,-	15,-	207,-
Guiding Plates, galvanized	A	116,-	12,-	128,-
FB 750, hot-dip galvanized	A	1075,-	278,-	1353,-
Lid, galvanized	A	196,-	15,-	211,-
Castor Set, polyamide, Load capacity 1350 kg / castor set	A	192,-	15,-	207,-
Guiding Plates, galvanized	A	116,-	12,-	128,-
FB 1000, painted	A	942,-	278,-	1220,-
Lid, galvanized	A	238,-	18,-	256,-
Castor Set, polyamide, Load capacity 1350 kg / castor set	A	192,-	15,-	207,-
Guiding Plates, galvanized	A	116,-	12,-	128,-
FB 1000, hot-dip galvanized	A	1157,-	278,-	1435,-
Lid, galvanized	A	238,-	18,-	256,-
Castor Set, polyamide, Load capacity 1350 kg / castor set	A	192,-	15,-	207,-
Guiding Plates, galvanized	A	116,-	12,-	128,-
FB 1500, painted	A	1105,-	407,-	1512,-
Lid, galvanized	A	351,-	21,-	372,-
Castor Set, polyamide, Load capacity 1350 kg / castor set	A	192,-	15,-	207,-
Guiding Plates, galvanized	A	116,-	12,-	128,-
FB 1500, hot-dip galvanized	A	1392,-	407,-	1799,-
Lid, galvanized	A	351,-	21,-	372,-
Castor Set, polyamide, Load capacity 1350 kg / castor set	A	192,-	15,-	207,-
Guiding Plates, galvanized	A	116,-	12,-	128,-
FB 2000, painted	A	1192,-	407,-	1599,-
Lid, galvanized	A	351,-	21,-	372,-
Castor Set, polyamide, Load capacity 1350 kg / castor set	A	192,-	15,-	207,-
Guiding Plates, galvanized	A	116,-	12,-	128,-
FB 2000, hot-dip galvanized	A	1512,-	407,-	1919,-
Lid, galvanized	A	351,-	21,-	372,-
Castor Set, polyamide, Load capacity 1350 kg / castor set	A	192,-	15,-	207,-
Guiding Plates, galvanized	A	116,-	12,-	128,-
Drum Tipper Type FD/L-HK	Category	Price	Freight charges	Price including freight charges
FD/L-HK, painted	B	2324,-	278,-	2602,-
FD/L-HK, hot-dip galvanized	B	2765,-	278,-	3043,-
Drum Tipper Type FD/L-K	Category	Price	Freight charges	Price including freight charges
FD/L-K, painted	B	2515,-	278,-	2793,-

Prices in EUR, valid EXW DE-46354 Südlohn, DE-38820 Halberstadt, unpacked
Freight charges valid CPT Ireland, islands and oversea territories excluded

Price List 0726 en-IE

Forklift Truck Attachments



Drum Tipper Type FD/L-K	Category	Price	Freight charges	Price including freight charges
FD/L-K, hot-dip galvanized	B	2965,-	278,-	3243,-
Drum Tipper Type FD-H	Category	Price	Freight charges	Price including freight charges
FD-H, painted	B	2593,-	183,-	2776,-
FD-H, hot-dip galvanized	B	2828,-	183,-	3011,-
Drum Tipper Type FD-HK	Category	Price	Freight charges	Price including freight charges
FD-HK, painted	B	1997,-	183,-	2180,-
FD-HK, hot-dip galvanized	B	2237,-	183,-	2420,-
Drum Tipper Type FD-K	Category	Price	Freight charges	Price including freight charges
FD-K, painted	B	2188,-	183,-	2371,-
FD-K, hot-dip galvanized	B	2437,-	183,-	2620,-
Drum Tipper Type FD-SK	Category	Price	Freight charges	Price including freight charges
FD-SK, painted	B	1997,-	183,-	2180,-
FD-SK, hot-dip galvanized	B	2237,-	183,-	2420,-
Drum Jack Type FH	Category	Price	Freight charges	Price including freight charges
FH-I 120, painted	B	1645,-	183,-	1828,-
FH-I 120, hot-dip galvanized	B	1823,-	183,-	2006,-
FH-I 220, painted	B	1645,-	183,-	1828,-
FH-I 220, hot-dip galvanized	B	1852,-	183,-	2035,-
FH-II 120, painted	B	2402,-	183,-	2585,-
FH-II 120, hot-dip galvanized	B	2673,-	183,-	2856,-
FH-II 220, painted	B	2402,-	183,-	2585,-
FH-II 220, hot-dip galvanized	B	2729,-	183,-	2912,-
Drum Gripper Type FK	Category	Price	Freight charges	Price including freight charges
FK-I, painted	B	1251,-	183,-	1434,-
FK-I, hot-dip galvanized	B	1524,-	183,-	1707,-
FK-II, painted	B	1488,-	278,-	1766,-
FK-II, hot-dip galvanized	B	1882,-	278,-	2160,-
Drum Clamp Type FKL	Category	Price	Freight charges	Price including freight charges
FKL, painted	B	480,-	60,-	540,-
Drum Tipper Type FLEX-HK	Category	Price	Freight charges	Price including freight charges
FLEX-HK, painted	B	2164,-	183,-	2347,-
Shelf Drum Pallet RP, galvanized	B	145,-	60,-	205,-
FLEX-HK, hot-dip galvanized	B	2338,-	183,-	2521,-
Shelf Drum Pallet RP, galvanized	B	145,-	60,-	205,-

Prices in EUR, valid EXW DE-46354 Südlohn, DE-38820 Halberstadt, unpacked
Freight charges valid CPT Ireland, islands and oversea territories excluded

Price List 0726 en-IE

Forklift Truck Attachments



Drum Tipper Type FLEX-K	Category	Price	Freight charges	Price including freight charges
FLEX-K, painted	B	2363,-	183,-	2546,-
Shelf Drum Pallet RP, galvanized	B	145,-	60,-	205,-
FLEX-K, hot-dip galvanized	B	2533,-	183,-	2716,-
Shelf Drum Pallet RP, galvanized	B	145,-	60,-	205,-
Drum Traverse Type FT/M	Category	Price	Freight charges	Price including freight charges
FT/M, galvanized	B	316,-	60,-	376,-
Drum Traverse Type FT/MK	Category	Price	Freight charges	Price including freight charges
FT/MK, galvanized	B	362,-	60,-	422,-
Drum Turner Type FW	Category	Price	Freight charges	Price including freight charges
FW-I, painted	B	1389,-	278,-	1667,-
FW-I, hot-dip galvanized	B	1803,-	278,-	2081,-
FW-II, painted	B	1945,-	278,-	2223,-
FW-II, hot-dip galvanized	B	2533,-	278,-	2811,-
Drum Turning Claw Type FWZ	Category	Price	Freight charges	Price including freight charges
FWZ-60, painted	B	1355,-	183,-	1538,-
FWZ-60, galvanized	B	1335,-	183,-	1518,-
FWZ-200, painted	B	1397,-	183,-	1580,-
FWZ-200, galvanized	B	1376,-	183,-	1559,-
Fork Extensions Type GG	Category	Price	Freight charges	Price including freight charges
GG 80/40 (1600 mm long), painted	A	541,-	183,-	724,-
GG 80/40 (1800 mm long), painted	A	570,-	183,-	753,-
GG 80/40 (2000 mm long), painted	A	601,-	183,-	784,-
GG 100/40 (1600 mm long), painted	A	541,-	183,-	724,-
GG 100/40 (1800 mm long), painted	A	570,-	183,-	753,-
GG 100/40 (2000 mm long), painted	A	601,-	183,-	784,-
GG 100/45 (1600 mm long), painted	A	541,-	183,-	724,-
GG 100/45 (1800 mm long), painted	A	570,-	183,-	753,-
GG 100/45 (2000 mm long), painted	A	601,-	183,-	784,-
GG 100/50 (1600 mm long), painted	A	541,-	183,-	724,-
GG 100/50 (1800 mm long), painted	A	570,-	183,-	753,-
GG 100/50 (2000 mm long), painted	A	601,-	278,-	879,-
GG 120/40 (1600 mm long), painted	A	570,-	183,-	753,-
GG 120/40 (1800 mm long), painted	A	601,-	278,-	879,-
GG 120/40 (2000 mm long), painted	A	645,-	278,-	923,-
GG 120/50 (1600 mm long), painted	A	570,-	183,-	753,-
GG 120/50 (1800 mm long), painted	A	601,-	278,-	879,-
GG 120/50 (2000 mm long), painted	A	645,-	278,-	923,-
GG 125/45 (1600 mm long), painted	A	570,-	183,-	753,-
GG 125/45 (1800 mm long), painted	A	601,-	278,-	879,-
GG 125/45 (2000 mm long), painted	A	645,-	278,-	923,-

Prices in EUR, valid EXW DE-46354 Südlohn, DE-38820 Halberstadt, unpacked
Freight charges valid CPT Ireland, islands and oversea territories excluded

Price List 0726 en-IE

Forklift Truck Attachments



Fork Extensions Type GG	Category	Price	Freight charges	Price including freight charges
GG 125/50 (1600 mm long), painted	A	570,-	183,-	753,-
GG 125/50 (1800 mm long), painted	A	601,-	278,-	879,-
GG 125/50 (2000 mm long), painted	A	645,-	278,-	923,-
GG 150/50 (1600 mm long), painted	A	634,-	278,-	912,-
GG 150/50 (1800 mm long), painted	A	680,-	278,-	958,-
GG 150/50 (2000 mm long), painted	A	713,-	278,-	991,-
GG 150/70 (1600 mm long), painted	A	634,-	278,-	912,-
GG 150/70 (1800 mm long), painted	A	680,-	278,-	958,-
GG 150/70 (2000 mm long), painted	A	713,-	278,-	991,-

Fork Extensions Type GO	Category	Price	Freight charges	Price including freight charges
GO 80/40 (1600 mm long), painted	A	390,-	183,-	573,-
GO 80/40 (1800 mm long), painted	A	396,-	183,-	579,-
GO 80/40 (2000 mm long), painted	A	411,-	183,-	594,-
GO 100/40 (1600 mm long), painted	A	390,-	183,-	573,-
GO 100/40 (1800 mm long), painted	A	396,-	183,-	579,-
GO 100/40 (2000 mm long), painted	A	411,-	183,-	594,-
GO 100/45 (1600 mm long), painted	A	390,-	183,-	573,-
GO 100/45 (1800 mm long), painted	A	396,-	183,-	579,-
GO 100/45 (2000 mm long), painted	A	411,-	183,-	594,-
GO 100/50 (1600 mm long), painted	A	390,-	183,-	573,-
GO 100/50 (1800 mm long), painted	A	396,-	183,-	579,-
GO 100/50 (2000 mm long), painted	A	411,-	183,-	594,-
GO 120/40 (1600 mm long), painted	A	396,-	183,-	579,-
GO 120/40 (1800 mm long), painted	A	418,-	183,-	601,-
GO 120/40 (2000 mm long), painted	A	435,-	183,-	618,-
GO 120/50 (1600 mm long), painted	A	396,-	183,-	579,-
GO 120/50 (1800 mm long), painted	A	418,-	183,-	601,-
GO 120/50 (2000 mm long), painted	A	435,-	183,-	618,-
GO 125/45 (1600 mm long), painted	A	396,-	183,-	579,-
GO 125/45 (1800 mm long), painted	A	418,-	183,-	601,-
GO 125/45 (2000 mm long), painted	A	435,-	183,-	618,-
GO 125/50 (1600 mm long), painted	A	396,-	183,-	579,-
GO 125/50 (1800 mm long), painted	A	418,-	183,-	601,-
GO 125/50 (2000 mm long), painted	A	435,-	183,-	618,-
GO 150/50 (1600 mm long), painted	A	475,-	183,-	658,-
GO 150/50 (1800 mm long), painted	A	516,-	183,-	699,-
GO 150/50 (2000 mm long), painted	A	555,-	183,-	738,-
GO 150/70 (1600 mm long), painted	A	475,-	183,-	658,-
GO 150/70 (1800 mm long), painted	A	516,-	183,-	699,-
GO 150/70 (2000 mm long), painted	A	555,-	183,-	738,-

Tilting Container Type GU	Category	Price	Freight charges	Price including freight charges
GU 300, painted	A	655,-	278,-	933,-
Lid, galvanized	A	98,-	18,-	116,-

Prices in EUR, valid EXW DE-46354 Südlohn, DE-38820 Halberstadt, unpacked
Freight charges valid CPT Ireland, islands and oversea territories excluded

Price List 0726 en-IE

Forklift Truck Attachments



Tilting Container Type GU	Category	Price	Freight charges	Price including freight charges
Castor Set, polyamide, Load capacity 1350 kg / castor set	A	192,-	15,-	207,-
Skip Body Welded Oil and Watertight	A	78,-	0,-	78,-
Crane lifting eyes for use with a crane	A	106,-	8,-	114,-
Support legs, 100 mm ground leeway	A	70,-	8,-	78,-
GU 300, hot-dip galvanized	A	866,-	278,-	1144,-
Lid, galvanized	A	98,-	18,-	116,-
Castor Set, polyamide, Load capacity 1350 kg / castor set	A	192,-	15,-	207,-
Skip Body Welded Oil and Watertight	A	78,-	0,-	78,-
Crane lifting eyes for use with a crane	A	106,-	8,-	114,-
Support legs, 100 mm ground leeway	A	70,-	8,-	78,-
GU 500, painted	A	891,-	278,-	1169,-
Lid, galvanized	A	98,-	18,-	116,-
Castor Set, polyamide, Load capacity 1350 kg / castor set	A	192,-	15,-	207,-
Skip Body Welded Oil and Watertight	A	78,-	0,-	78,-
Adjustable dumping brake	A	464,-	10,-	474,-
Crane lifting eyes for use with a crane	A	106,-	8,-	114,-
Support legs, 100 mm ground leeway	A	70,-	8,-	78,-
GU 500, hot-dip galvanized	A	1160,-	278,-	1438,-
Lid, galvanized	A	98,-	18,-	116,-
Castor Set, polyamide, Load capacity 1350 kg / castor set	A	192,-	15,-	207,-
Skip Body Welded Oil and Watertight	A	78,-	0,-	78,-
Adjustable dumping brake	A	464,-	10,-	474,-
Crane lifting eyes for use with a crane	A	106,-	8,-	114,-
Support legs, 100 mm ground leeway	A	70,-	8,-	78,-
GU 750, painted	A	1052,-	278,-	1330,-
Lid, galvanized	A	139,-	26,-	165,-
Castor Set, polyamide, Load capacity 1350 kg / castor set	A	192,-	15,-	207,-
Skip Body Welded Oil and Watertight	A	78,-	0,-	78,-
Adjustable dumping brake	A	464,-	10,-	474,-
Crane lifting eyes for use with a crane	A	106,-	8,-	114,-
Support legs, 100 mm ground leeway	A	70,-	8,-	78,-
GU 750, hot-dip galvanized	A	1371,-	278,-	1649,-
Lid, galvanized	A	139,-	26,-	165,-
Castor Set, polyamide, Load capacity 1350 kg / castor set	A	192,-	15,-	207,-
Skip Body Welded Oil and Watertight	A	78,-	0,-	78,-
Adjustable dumping brake	A	464,-	10,-	474,-
Crane lifting eyes for use with a crane	A	106,-	8,-	114,-
Support legs, 100 mm ground leeway	A	70,-	8,-	78,-
GU 1000, painted	A	1163,-	278,-	1441,-
Lid, galvanized	A	192,-	27,-	219,-
Castor Set, polyamide, Load capacity 1350 kg / castor set	A	192,-	15,-	207,-
Skip Body Welded Oil and Watertight	A	121,-	0,-	121,-
Adjustable dumping brake	A	464,-	10,-	474,-
Crane lifting eyes for use with a crane	A	106,-	8,-	114,-
Support legs, 100 mm ground leeway	A	70,-	8,-	78,-
GU 1000, hot-dip galvanized	A	1647,-	407,-	2054,-

Prices in EUR, valid EXW DE-46354 Südlohn, DE-38820 Halberstadt, unpacked
Freight charges valid CPT Ireland, islands and oversea territories excluded

Price List 0726 en-IE

Forklift Truck Attachments



Tilting Container Type GU	Category	Price	Freight charges	Price including freight charges
Lid, galvanized	A	192,-	27,-	219,-
Castor Set, polyamide, Load capacity 1350 kg / castor set	A	192,-	15,-	207,-
Skip Body Welded Oil and Watertight	A	121,-	0,-	121,-
Adjustable dumping brake	A	464,-	10,-	474,-
Crane lifting eyes for use with a crane	A	106,-	8,-	114,-
Support legs, 100 mm ground leeway	A	70,-	8,-	78,-
GU 1500, painted	A	1357,-	407,-	1764,-
Lid, galvanized	A	192,-	27,-	219,-
Castor Set, polyamide, Load capacity 1350 kg / castor set	A	192,-	15,-	207,-
Skip Body Welded Oil and Watertight	A	121,-	0,-	121,-
Adjustable dumping brake	A	464,-	10,-	474,-
Crane lifting eyes for use with a crane	A	106,-	8,-	114,-
Support legs, 100 mm ground leeway	A	70,-	8,-	78,-
GU 1500, hot-dip galvanized	A	1769,-	407,-	2176,-
Lid, galvanized	A	192,-	27,-	219,-
Castor Set, polyamide, Load capacity 1350 kg / castor set	A	192,-	15,-	207,-
Skip Body Welded Oil and Watertight	A	121,-	0,-	121,-
Adjustable dumping brake	A	464,-	10,-	474,-
Crane lifting eyes for use with a crane	A	106,-	8,-	114,-
Support legs, 100 mm ground leeway	A	70,-	8,-	78,-
GU 2000, painted	A	1675,-	407,-	2082,-
Lid, galvanized	A	226,-	32,-	258,-
Castor Set, polyamide, Load capacity 1350 kg / castor set	A	192,-	15,-	207,-
Skip Body Welded Oil and Watertight	A	121,-	0,-	121,-
Adjustable dumping brake	A	464,-	10,-	474,-
Crane lifting eyes for use with a crane	A	106,-	8,-	114,-
Support legs, 100 mm ground leeway	A	70,-	8,-	78,-
GU 2000, hot-dip galvanized	A	2200,-	407,-	2607,-
Lid, galvanized	A	226,-	32,-	258,-
Castor Set, polyamide, Load capacity 1350 kg / castor set	A	192,-	15,-	207,-
Skip Body Welded Oil and Watertight	A	121,-	0,-	121,-
Adjustable dumping brake	A	464,-	10,-	474,-
Crane lifting eyes for use with a crane	A	106,-	8,-	114,-
Support legs, 100 mm ground leeway	A	70,-	8,-	78,-
Swarf Tilting Container Type GU-E	Category	Price	Freight charges	Price including freight charges
GU-E 300, painted	A	775,-	278,-	1053,-
Lid, galvanized	A	98,-	18,-	116,-
Castor Set, polyamide, Load capacity 1350 kg / castor set	A	192,-	15,-	207,-
Crane lifting eyes for use with a crane	A	106,-	8,-	114,-
Support legs, 100 mm ground leeway	A	70,-	8,-	78,-
GU-E 300, hot-dip galvanized	A	986,-	278,-	1264,-
Lid, galvanized	A	98,-	18,-	116,-
Castor Set, polyamide, Load capacity 1350 kg / castor set	A	192,-	15,-	207,-
Crane lifting eyes for use with a crane	A	106,-	8,-	114,-
Support legs, 100 mm ground leeway	A	70,-	8,-	78,-

Prices in EUR, valid EXW DE-46354 Südlohn, DE-38820 Halberstadt, unpacked
Freight charges valid CPT Ireland, islands and oversea territories excluded

Price List 0726 en-IE

Forklift Truck Attachments



Swarf Tilting Container Type GU-E	Category	Price	Freight charges	Price including freight charges
GU-E 500, painted	A	1012,-	278,-	1290,-
Lid, galvanized	A	98,-	18,-	116,-
Castor Set, polyamide, Load capacity 1350 kg / castor set	A	192,-	15,-	207,-
Adjustable dumping brake	A	464,-	10,-	474,-
Crane lifting eyes for use with a crane	A	106,-	8,-	114,-
Support legs, 100 mm ground leeway	A	70,-	8,-	78,-
GU-E 500, hot-dip galvanized	A	1280,-	278,-	1558,-
Lid, galvanized	A	98,-	18,-	116,-
Castor Set, polyamide, Load capacity 1350 kg / castor set	A	192,-	15,-	207,-
Adjustable dumping brake	A	464,-	10,-	474,-
Crane lifting eyes for use with a crane	A	106,-	8,-	114,-
Support legs, 100 mm ground leeway	A	70,-	8,-	78,-
GU-E 750, painted	A	1172,-	278,-	1450,-
Lid, galvanized	A	139,-	26,-	165,-
Castor Set, polyamide, Load capacity 1350 kg / castor set	A	192,-	15,-	207,-
Adjustable dumping brake	A	464,-	10,-	474,-
Crane lifting eyes for use with a crane	A	106,-	8,-	114,-
Support legs, 100 mm ground leeway	A	70,-	8,-	78,-
GU-E 750, hot-dip galvanized	A	1491,-	278,-	1769,-
Lid, galvanized	A	139,-	26,-	165,-
Castor Set, polyamide, Load capacity 1350 kg / castor set	A	192,-	15,-	207,-
Adjustable dumping brake	A	464,-	10,-	474,-
Crane lifting eyes for use with a crane	A	106,-	8,-	114,-
Support legs, 100 mm ground leeway	A	70,-	8,-	78,-
GU-E 1000, painted	A	1325,-	278,-	1603,-
Lid, galvanized	A	192,-	27,-	219,-
Castor Set, polyamide, Load capacity 1350 kg / castor set	A	192,-	15,-	207,-
Adjustable dumping brake	A	464,-	10,-	474,-
Crane lifting eyes for use with a crane	A	106,-	8,-	114,-
Support legs, 100 mm ground leeway	A	70,-	8,-	78,-
GU-E 1000, hot-dip galvanized	A	1810,-	407,-	2217,-
Lid, galvanized	A	192,-	27,-	219,-
Castor Set, polyamide, Load capacity 1350 kg / castor set	A	192,-	15,-	207,-
Adjustable dumping brake	A	464,-	10,-	474,-
Crane lifting eyes for use with a crane	A	106,-	8,-	114,-
Support legs, 100 mm ground leeway	A	70,-	8,-	78,-
GU-E 1500, painted	A	1520,-	407,-	1927,-
Lid, galvanized	A	192,-	27,-	219,-
Castor Set, polyamide, Load capacity 1350 kg / castor set	A	192,-	15,-	207,-
Adjustable dumping brake	A	464,-	10,-	474,-
Crane lifting eyes for use with a crane	A	106,-	8,-	114,-
Support legs, 100 mm ground leeway	A	70,-	8,-	78,-
GU-E 1500, hot-dip galvanized	A	1932,-	407,-	2339,-
Lid, galvanized	A	192,-	27,-	219,-
Castor Set, polyamide, Load capacity 1350 kg / castor set	A	192,-	15,-	207,-
Adjustable dumping brake	A	464,-	10,-	474,-

Prices in EUR, valid EXW DE-46354 Südlohn, DE-38820 Halberstadt, unpacked
Freight charges valid CPT Ireland, islands and oversea territories excluded

Price List 0726 en-IE

Forklift Truck Attachments



Swarf Tilting Container Type GU-E	Category	Price	Freight charges	Price including freight charges
Crane lifting eyes for use with a crane	A	106,-	8,-	114,-
Support legs, 100 mm ground leeway	A	70,-	8,-	78,-
GU-E 2000, painted	A	1838,-	407,-	2245,-
Lid, galvanized	A	226,-	32,-	258,-
Castor Set, polyamide, Load capacity 1350 kg / castor set	A	192,-	15,-	207,-
Adjustable dumping brake	A	464,-	10,-	474,-
Crane lifting eyes for use with a crane	A	106,-	8,-	114,-
Support legs, 100 mm ground leeway	A	70,-	8,-	78,-
GU-E 2000, hot-dip galvanized	A	2362,-	407,-	2769,-
Lid, galvanized	A	226,-	32,-	258,-
Castor Set, polyamide, Load capacity 1350 kg / castor set	A	192,-	15,-	207,-
Adjustable dumping brake	A	464,-	10,-	474,-
Crane lifting eyes for use with a crane	A	106,-	8,-	114,-
Support legs, 100 mm ground leeway	A	70,-	8,-	78,-
Tilting Container Type GU-RZ	Category	Price	Freight charges	Price including freight charges
GU-RZ 30, painted	A	699,-	278,-	977,-
Lid, galvanized	A	95,-	18,-	113,-
GU-RZ 30, hot-dip galvanized	A	779,-	278,-	1057,-
Lid, galvanized	A	95,-	18,-	113,-
GU-RZ 55, painted	A	931,-	278,-	1209,-
Lid, galvanized	A	95,-	18,-	113,-
GU-RZ 55, hot-dip galvanized	A	1026,-	278,-	1304,-
Lid, galvanized	A	95,-	18,-	113,-
Fork Protection Type GZS	Category	Price	Freight charges	Price including freight charges
GZS, painted	F	179,-	60,-	239,-
Container With Drop Away Base Type HKB	Category	Price	Freight charges	Price including freight charges
HKB 60, painted	A	1078,-	278,-	1356,-
HKB 70, painted	A	1140,-	278,-	1418,-
HKB 90, painted	A	1417,-	278,-	1695,-
Shovel Type HVR	Category	Price	Freight charges	Price including freight charges
HVR 50, painted	A	3393,-	407,-	3800,-
HVR 75, painted	A	3976,-	496,-	4472,-
HVR 80 L, painted	A	4095,-	496,-	4591,-
HVR 100, painted	A	5033,-	641,-	5674,-
HVR 150, painted	A	6432,-	641,-	7073,-
Kippomat Type KG-A	Category	Price	Freight charges	Price including freight charges
KG-A, hot-dip galvanized	A	3218,-	407,-	3625,-
Kippomat Type KG-B	Category	Price	Freight charges	Price including freight charges
KG-B, hot-dip galvanized	A	3137,-	407,-	3544,-

Prices in EUR, valid EXW DE-46354 Südlohn, DE-38820 Halberstadt, unpacked
Freight charges valid CPT Ireland, islands and oversea territories excluded

Price List 0726 en-IE

Forklift Truck Attachments



Kippomat Type KG-C	Category	Price	Freight charges	Price including freight charges
KG-C, hot-dip galvanized	A	2081,-	278,-	2359,-
Tipping Skip Type KK	Category	Price	Freight charges	Price including freight charges
KK 250, painted	E	484,-	183,-	667,-
Lid, galvanized	E	136,-	15,-	151,-
Castor Set, polyamide, Load capacity 1050 kg / castor set	A	136,-	15,-	151,-
Castor Set, solid rubber, Load capacity 615 kg / castor set	E	103,-	15,-	118,-
KK 250, hot-dip galvanized	E	534,-	183,-	717,-
Lid, galvanized	E	136,-	15,-	151,-
Castor Set, polyamide, Load capacity 1050 kg / castor set	A	136,-	15,-	151,-
Castor Set, solid rubber, Load capacity 615 kg / castor set	E	103,-	15,-	118,-
KK 400, painted	E	551,-	183,-	734,-
Lid, galvanized	E	156,-	16,-	172,-
Castor Set, polyamide, Load capacity 1050 kg / castor set	A	136,-	15,-	151,-
Castor Set, solid rubber, Load capacity 615 kg / castor set	E	103,-	15,-	118,-
KK 400, hot-dip galvanized	E	600,-	183,-	783,-
Lid, galvanized	E	156,-	16,-	172,-
Castor Set, polyamide, Load capacity 1050 kg / castor set	A	136,-	15,-	151,-
Castor Set, solid rubber, Load capacity 615 kg / castor set	E	103,-	15,-	118,-
KK 600, painted	E	764,-	278,-	1042,-
Lid, galvanized	E	173,-	20,-	193,-
Castor Set, polyamide, Load capacity 1050 kg / castor set	A	136,-	15,-	151,-
Castor Set, solid rubber, Load capacity 615 kg / castor set	E	103,-	15,-	118,-
KK 600, hot-dip galvanized	E	865,-	278,-	1143,-
Castor Set, solid rubber, Load capacity 615 kg / castor set	E	103,-	15,-	118,-
Lid, galvanized	E	173,-	20,-	193,-
Castor Set, polyamide, Load capacity 1050 kg / castor set	A	136,-	15,-	151,-
KK 800, painted	E	823,-	278,-	1101,-
Lid, galvanized	E	181,-	21,-	202,-
Castor Set, polyamide, Load capacity 1050 kg / castor set	A	136,-	15,-	151,-
Castor Set, solid rubber, Load capacity 615 kg / castor set	E	103,-	15,-	118,-
KK 800, hot-dip galvanized	E	930,-	278,-	1208,-
Lid, galvanized	E	181,-	21,-	202,-
Castor Set, polyamide, Load capacity 1050 kg / castor set	A	136,-	15,-	151,-
Castor Set, solid rubber, Load capacity 615 kg / castor set	E	103,-	15,-	118,-
KK 1000, painted	E	881,-	278,-	1159,-
Lid, galvanized	E	193,-	22,-	215,-
Castor Set, polyamide, Load capacity 1050 kg / castor set	A	136,-	15,-	151,-
Castor Set, solid rubber, Load capacity 615 kg / castor set	E	103,-	15,-	118,-
KK 1000, hot-dip galvanized	E	1014,-	278,-	1292,-
Lid, galvanized	E	193,-	22,-	215,-
Castor Set, polyamide, Load capacity 1050 kg / castor set	A	136,-	15,-	151,-
Castor Set, solid rubber, Load capacity 615 kg / castor set	E	103,-	15,-	118,-

Prices in EUR, valid EXW DE-46354 Südlohn, DE-38820 Halberstadt, unpacked
Freight charges valid CPT Ireland, islands and oversea territories excluded

Price List 0726 en-IE

Forklift Truck Attachments



Kippomat Type KM	Category	Price	Freight charges	Price including freight charges
KM, hot-dip galvanized	A	3218,-	278,-	3496,-

Tipping Skip Type KN	Category	Price	Freight charges	Price including freight charges
KN 250, painted	E	484,-	183,-	667,-
Lid, galvanized	E	136,-	15,-	151,-
Castor Set, polyamide, Load capacity 1050 kg / castor set	A	136,-	15,-	151,-
Castor Set, solid rubber, Load capacity 615 kg / castor set	E	103,-	15,-	118,-
KN 250, hot-dip galvanized	E	534,-	183,-	717,-
Lid, galvanized	E	136,-	15,-	151,-
Castor Set, polyamide, Load capacity 1050 kg / castor set	A	136,-	15,-	151,-
Castor Set, solid rubber, Load capacity 615 kg / castor set	E	103,-	15,-	118,-
KN 400, painted	E	551,-	183,-	734,-
Lid, galvanized	E	156,-	16,-	172,-
Castor Set, polyamide, Load capacity 1050 kg / castor set	A	136,-	15,-	151,-
Castor Set, solid rubber, Load capacity 615 kg / castor set	E	103,-	15,-	118,-
KN 400, hot-dip galvanized	E	600,-	183,-	783,-
Lid, galvanized	E	156,-	16,-	172,-
Castor Set, polyamide, Load capacity 1050 kg / castor set	A	136,-	15,-	151,-
Castor Set, solid rubber, Load capacity 615 kg / castor set	E	103,-	15,-	118,-

Tipping Skip Type KS	Category	Price	Freight charges	Price including freight charges
KS 400, painted	E	900,-	278,-	1178,-
KS 550, painted	E	964,-	278,-	1242,-
KS 700, painted	E	1024,-	278,-	1302,-

Extensible Crane Arm Type KT	Category	Price	Freight charges	Price including freight charges
KT 2,5, painted	A	1448,-	278,-	1726,-
KT 2,5, hot-dip galvanized	A	1763,-	407,-	2170,-
KT 5,0, painted	A	1798,-	407,-	2205,-
KT 5,0, hot-dip galvanized	A	2242,-	407,-	2649,-

Extensible Crane Arm Type KTH	Category	Price	Freight charges	Price including freight charges
KTH 2,5, painted	A	1748,-	407,-	2155,-
KTH 2,5, hot-dip galvanized	A	2068,-	407,-	2475,-
KTH 5,0, painted	A	2012,-	407,-	2419,-
KTH 5,0, hot-dip galvanized	A	2373,-	407,-	2780,-

Extensible Crane Arm Type KTH-K	Category	Price	Freight charges	Price including freight charges
KTH-K 2,5, painted	A	1606,-	278,-	1884,-
KTH-K 2,5, hot-dip galvanized	A	1943,-	278,-	2221,-
KTH-K 5,0, painted	A	1852,-	278,-	2130,-
KTH-K 5,0, hot-dip galvanized	A	2232,-	407,-	2639,-

Extensible Crane Arm Type KT-K	Category	Price	Freight charges	Price including freight charges
KT-K 2,5, painted	A	1291,-	278,-	1569,-

Prices in EUR, valid EXW DE-46354 Südlohn, DE-38820 Halberstadt, unpacked
 Freight charges valid CPT Ireland, islands and oversea territories excluded

Price List 0726 en-IE

Forklift Truck Attachments



Extensible Crane Arm Type KT-K	Category	Price	Freight charges	Price including freight charges
KT-K 2,5, hot-dip galvanized	A	1622,-	278,-	1900,-
KT-K 5,0, painted	A	1625,-	278,-	1903,-
KT-K 5,0, hot-dip galvanized	A	2092,-	278,-	2370,-
Barrow Tipper Type KW-ET	Category	Price	Freight charges	Price including freight charges
KW-ET 250, painted	E	588,-	183,-	771,-
Lid, galvanized	E	136,-	15,-	151,-
KW-ET 250, hot-dip galvanized	E	900,-	183,-	1083,-
Lid, galvanized	E	136,-	15,-	151,-
KW-ET 400, painted	E	648,-	183,-	831,-
Lid, galvanized	E	156,-	16,-	172,-
KW-ET 400, hot-dip galvanized	E	998,-	183,-	1181,-
Lid, galvanized	E	156,-	16,-	172,-
KW-ET 600, painted	E	808,-	278,-	1086,-
Lid, galvanized	E	173,-	20,-	193,-
KW-ET 600, hot-dip galvanized	E	1166,-	278,-	1444,-
Lid, galvanized	E	173,-	20,-	193,-
KW-ET 1000, painted	E	997,-	278,-	1275,-
Lid, galvanized	E	193,-	22,-	215,-
KW-ET 1000, hot-dip galvanized	E	1591,-	278,-	1869,-
Lid, galvanized	E	193,-	22,-	215,-
Loading Arm Type LA	Category	Price	Freight charges	Price including freight charges
LA 1600-1,0, painted	A	542,-	183,-	725,-
LA 1600-1,0, hot-dip galvanized	A	581,-	183,-	764,-
LA 1600-2,5, painted	A	786,-	183,-	969,-
LA 1600-2,5, hot-dip galvanized	A	927,-	183,-	1110,-
LA 1600-5,0, painted	A	1133,-	278,-	1411,-
LA 1600-5,0, hot-dip galvanized	A	1325,-	278,-	1603,-
LA 2400-1,0, painted	A	569,-	183,-	752,-
LA 2400-1,0, hot-dip galvanized	A	632,-	183,-	815,-
LA 2400-2,5, painted	A	877,-	278,-	1155,-
LA 2400-2,5, hot-dip galvanized	A	1017,-	278,-	1295,-
LA 2400-5,0, painted	A	1250,-	278,-	1528,-
LA 2400-5,0, hot-dip galvanized	A	1480,-	278,-	1758,-
LA 25-1,0, painted	A	632,-	183,-	815,-
LA 25-1,0, hot-dip galvanized	A	683,-	183,-	866,-
Loading Arm Type LAT	Category	Price	Freight charges	Price including freight charges
LAT 25-1,0, painted	A	766,-	183,-	949,-
LAT 25-1,0, hot-dip galvanized	A	838,-	183,-	1021,-
Scissor Gripper Type LG	Category	Price	Freight charges	Price including freight charges
LG 60, painted	B	245,-	60,-	305,-
LG 60, galvanized	B	223,-	60,-	283,-

Prices in EUR, valid EXW DE-46354 Südlohn, DE-38820 Halberstadt, unpacked
Freight charges valid CPT Ireland, islands and oversea territories excluded

Price List 0726 en-IE

Forklift Truck Attachments



Scissor Gripper Type LG	Category	Price	Freight charges	Price including freight charges
LG 200, painted	B	245,-	60,-	305,-
LG 200, galvanized	B	223,-	60,-	283,-

Container for Long Material Type LGK	Category	Price	Freight charges	Price including freight charges
LGK, painted	A	1376,-	278,-	1654,-
Castor Set, polyamide, Load capacity 1350 kg / castor set	A	192,-	15,-	207,-
LGK, hot-dip galvanized	A	1676,-	278,-	1954,-
Castor Set, polyamide, Load capacity 1350 kg / castor set	A	192,-	15,-	207,-

Long Material Carrier Type LGT	Category	Price	Freight charges	Price including freight charges
LGT 1,5, painted	A	1929,-	407,-	2336,-
LGT 1,5, hot-dip galvanized	A	2263,-	407,-	2670,-
LGT 2,5, painted	A	2164,-	on request	on request
LGT 2,5, hot-dip galvanized	A	2590,-	on request	on request
LGT 3,5, painted	A	2989,-	on request	on request
LGT 3,5, hot-dip galvanized	A	3670,-	on request	on request
LGT 4,5, painted	A	3302,-	on request	on request
LGT 4,5, hot-dip galvanized	A	4071,-	on request	on request

Drum Claw Type LGZ	Category	Price	Freight charges	Price including freight charges
LGZ 60, painted	B	225,-	60,-	285,-
LGZ 60, galvanized	B	211,-	60,-	271,-
LGZ 200, painted	B	225,-	60,-	285,-
LGZ 200, galvanized	B	211,-	60,-	271,-

Crane Hook Type LH	Category	Price	Freight charges	Price including freight charges
LH-I 1,0, painted	A	199,-	60,-	259,-
LH-I 1,0, hot-dip galvanized	A	223,-	60,-	283,-
LH-I 1,5, painted	A	218,-	60,-	278,-
LH-I 1,5, hot-dip galvanized	A	242,-	60,-	302,-
LH-I 2,0, painted	A	229,-	60,-	289,-
LH-I 2,0, hot-dip galvanized	A	254,-	60,-	314,-
LH-I 2,5, painted	A	255,-	60,-	315,-
LH-I 2,5, hot-dip galvanized	A	279,-	60,-	339,-
LH-I 3,0, painted	A	331,-	60,-	391,-
LH-I 3,0, hot-dip galvanized	A	356,-	60,-	416,-
LH-II 1,5, painted	A	329,-	60,-	389,-
LH-II 1,5, hot-dip galvanized	A	378,-	60,-	438,-
LH-II 2,5, painted	A	434,-	60,-	494,-
LH-II 2,5, hot-dip galvanized	A	516,-	60,-	576,-
LH-II 5,0, painted	A	720,-	183,-	903,-
LH-II 5,0, hot-dip galvanized	A	808,-	183,-	991,-
LH-II 7,5, painted	A	856,-	183,-	1039,-
LH-II 7,5, hot-dip galvanized	A	949,-	183,-	1132,-

Prices in EUR, valid EXW DE-46354 Südlohn, DE-38820 Halberstadt, unpacked
 Freight charges valid CPT Ireland, islands and oversea territories excluded

Price List 0726 en-IE

Forklift Truck Attachments



Long Load Handler Type LSL	Category	Price	Freight charges	Price including freight charges
LSL, painted	A	1141,-	278,-	1419,-
LSL, hot-dip galvanized	A	1310,-	278,-	1588,-
Long Material Sidecar Type LSW	Category	Price	Freight charges	Price including freight charges
LSW 1,3, painted	A	953,-	183,-	1136,-
LSW 1,3, hot-dip galvanized	A	1017,-	278,-	1295,-
LSW 2,5, painted	A	1132,-	183,-	1315,-
LSW 2,5, hot-dip galvanized	A	1197,-	278,-	1475,-
Access Safety Platform Type MB-B	Category	Price	Freight charges	Price including freight charges
MB-B, painted	A	1085,-	278,-	1363,-
Castor Set, polyamide, Load capacity 1050 kg / castor set	A	136,-	15,-	151,-
Access Safety Platform Type MB-B/L	Category	Price	Freight charges	Price including freight charges
MB-B/L, painted	A	1274,-	278,-	1552,-
Castor Set, polyamide, Load capacity 1050 kg / castor set	A	136,-	15,-	151,-
Access Safety Platform Type MB-D	Category	Price	Freight charges	Price including freight charges
MB-D, painted	A	908,-	278,-	1186,-
Castor Set, polyamide, Load capacity 1050 kg / castor set	A	136,-	15,-	151,-
Access Safety Platform Type MB-D/L	Category	Price	Freight charges	Price including freight charges
MB-D/L, painted	A	1096,-	278,-	1374,-
Castor Set, polyamide, Load capacity 1050 kg / castor set	A	136,-	15,-	151,-
Access Safety Platform Type MB-F	Category	Price	Freight charges	Price including freight charges
MB-F, painted	A	1074,-	278,-	1352,-
Castor Set, polyamide, Load capacity 1050 kg / castor set	A	136,-	15,-	151,-
Access Safety Platform Type MB-II	Category	Price	Freight charges	Price including freight charges
MB-II, painted	A	994,-	278,-	1272,-
Castor Set, polyamide, Load capacity 1050 kg / castor set	A	136,-	15,-	151,-
MB-II, hot-dip galvanized	A	1171,-	278,-	1449,-
Castor Set, polyamide, Load capacity 1050 kg / castor set	A	136,-	15,-	151,-
Access Safety Platform Type MB-K-IV	Category	Price	Freight charges	Price including freight charges
MB-K-IV, painted	A	2012,-	331,-	2343,-
Access Safety Platform Type MB-ST	Category	Price	Freight charges	Price including freight charges
MB-ST, painted	A	2576,-	278,-	2854,-
Castor Set, polyamide, Load capacity 1050 kg / castor set	A	136,-	15,-	151,-
Access Safety Platform Type MB-ST/L	Category	Price	Freight charges	Price including freight charges
MB-ST/L, painted	A	2764,-	278,-	3042,-

Prices in EUR, valid EXW DE-46354 Südlohn, DE-38820 Halberstadt, unpacked
Freight charges valid CPT Ireland, islands and oversea territories excluded

Price List 0726 en-IE

Forklift Truck Attachments



Access Safety Platform Type MB-ST/L	Category	Price	Freight charges	Price including freight charges
Castor Set, polyamide, Load capacity 1050 kg / castor set	A	136,-	15,-	151,-
Access Safety Platform Type MB-ST/T	Category	Price	Freight charges	Price including freight charges
MB-ST/T, painted	A	2903,-	278,-	3181,-
Castor Set, polyamide, Load capacity 1050 kg / castor set	A	136,-	15,-	151,-
Access Safety Platform Type MB-ST/T/L	Category	Price	Freight charges	Price including freight charges
MB-ST/T/L, painted	A	3092,-	278,-	3370,-
Castor Set, polyamide, Load capacity 1050 kg / castor set	A	136,-	15,-	151,-
Mini Tilting Container Type MGU	Category	Price	Freight charges	Price including freight charges
MGU 230, painted	A	569,-	183,-	752,-
Lid, galvanized	A	131,-	18,-	149,-
Castor Set, polyamide, Load capacity 1050 kg / castor set	A	156,-	15,-	171,-
Skip Body Welded Oil and Watertight	A	78,-	0,-	78,-
MGU 230, hot-dip galvanized	A	655,-	278,-	933,-
Lid, galvanized	A	131,-	18,-	149,-
Castor Set, polyamide, Load capacity 1050 kg / castor set	A	156,-	15,-	171,-
Skip Body Welded Oil and Watertight	A	78,-	0,-	78,-
MGU 270, painted	A	621,-	278,-	899,-
Lid, galvanized	A	131,-	18,-	149,-
Castor Set, polyamide, Load capacity 1050 kg / castor set	A	156,-	15,-	171,-
Skip Body Welded Oil and Watertight	A	78,-	0,-	78,-
MGU 270, hot-dip galvanized	A	729,-	278,-	1007,-
Lid, galvanized	A	131,-	18,-	149,-
Castor Set, polyamide, Load capacity 1050 kg / castor set	A	156,-	15,-	171,-
Skip Body Welded Oil and Watertight	A	78,-	0,-	78,-
MGU 460, painted	A	815,-	278,-	1093,-
Lid, galvanized	A	169,-	22,-	191,-
Castor Set, polyamide, Load capacity 1050 kg / castor set	A	156,-	15,-	171,-
Skip Body Welded Oil and Watertight	A	78,-	0,-	78,-
MGU 460, hot-dip galvanized	A	967,-	278,-	1245,-
Lid, galvanized	A	169,-	22,-	191,-
Castor Set, polyamide, Load capacity 1050 kg / castor set	A	156,-	15,-	171,-
Skip Body Welded Oil and Watertight	A	78,-	0,-	78,-
MGU 610, painted	A	919,-	278,-	1197,-
Lid, galvanized	A	181,-	26,-	207,-
Castor Set, polyamide, Load capacity 1050 kg / castor set	A	156,-	15,-	171,-
Skip Body Welded Oil and Watertight	A	78,-	0,-	78,-
MGU 610, hot-dip galvanized	A	1089,-	278,-	1367,-
Lid, galvanized	A	181,-	26,-	207,-
Castor Set, polyamide, Load capacity 1050 kg / castor set	A	156,-	15,-	171,-
Skip Body Welded Oil and Watertight	A	78,-	0,-	78,-

Prices in EUR, valid EXW DE-46354 Südlohn, DE-38820 Halberstadt, unpacked
Freight charges valid CPT Ireland, islands and oversea territories excluded

Price List 0726 en-IE

Forklift Truck Attachments



Wheelie Bin Jack Type MH	Category	Price	Freight charges	Price including freight charges
MH-I, painted	A	657,-	183,-	840,-
MH-II, painted	A	725,-	183,-	908,-
MH-III, painted	A	784,-	183,-	967,-
Wheelie Bin Tipper Type MK	Category	Price	Freight charges	Price including freight charges
MK 120, painted	A	1273,-	183,-	1456,-
MK 240, painted	A	1273,-	183,-	1456,-
Wheelie Bin Tipper Type MK-H	Category	Price	Freight charges	Price including freight charges
MK-H 120, painted	A	1902,-	183,-	2085,-
MK-H 240, painted	A	1902,-	278,-	2180,-
Mini Container With Drop Away Base Type MSB	Category	Price	Freight charges	Price including freight charges
MSB 150, painted	A	636,-	183,-	819,-
Castor Set, polyamide, Load capacity 1050 kg / castor set	A	156,-	15,-	171,-
Guiding Plates, galvanized	A	73,-	12,-	85,-
MSB 150, hot-dip galvanized	A	746,-	183,-	929,-
Castor Set, polyamide, Load capacity 1050 kg / castor set	A	156,-	15,-	171,-
Guiding Plates, galvanized	A	73,-	12,-	85,-
MSB 250, painted	A	690,-	183,-	873,-
Castor Set, polyamide, Load capacity 1050 kg / castor set	A	156,-	15,-	171,-
Guiding Plates, galvanized	A	73,-	12,-	85,-
MSB 250, hot-dip galvanized	A	826,-	183,-	1009,-
Castor Set, polyamide, Load capacity 1050 kg / castor set	A	156,-	15,-	171,-
Guiding Plates, galvanized	A	73,-	12,-	85,-
MSB 400, painted	A	850,-	183,-	1033,-
Castor Set, polyamide, Load capacity 1050 kg / castor set	A	156,-	15,-	171,-
Guiding Plates, galvanized	A	73,-	12,-	85,-
MSB 400, hot-dip galvanized	A	1018,-	278,-	1296,-
Castor Set, polyamide, Load capacity 1050 kg / castor set	A	156,-	15,-	171,-
Guiding Plates, galvanized	A	73,-	12,-	85,-
Tilting Container Type NK	Category	Price	Freight charges	Price including freight charges
NK 30, painted	A	700,-	278,-	978,-
Lid, galvanized	A	98,-	15,-	113,-
Castor Set, polyamide, Load capacity 1350 kg / castor set	A	192,-	15,-	207,-
Skip Body Welded Oil and Watertight	A	78,-	0,-	78,-
NK 30, hot-dip galvanized	A	984,-	278,-	1262,-
Lid, galvanized	A	98,-	15,-	113,-
Castor Set, polyamide, Load capacity 1350 kg / castor set	A	192,-	15,-	207,-
Skip Body Welded Oil and Watertight	A	78,-	0,-	78,-
NK 50, painted	A	984,-	278,-	1262,-
Lid, galvanized	A	98,-	18,-	116,-
Castor Set, polyamide, Load capacity 1350 kg / castor set	A	192,-	15,-	207,-
Skip Body Welded Oil and Watertight	A	78,-	0,-	78,-

Prices in EUR, valid EXW DE-46354 Südlohn, DE-38820 Halberstadt, unpacked
Freight charges valid CPT Ireland, islands and oversea territories excluded

Price List 0726 en-IE

Forklift Truck Attachments



Tilting Container Type NK	Category	Price	Freight charges	Price including freight charges
NK 50, hot-dip galvanized	A	1327,-	278,-	1605,-
Lid, galvanized	A	98,-	18,-	116,-
Castor Set, polyamide, Load capacity 1350 kg / castor set	A	192,-	15,-	207,-
Skip Body Welded Oil and Watertight	A	78,-	0,-	78,-
NK 75, painted	A	1115,-	407,-	1522,-
Lid, galvanized	A	142,-	22,-	164,-
Castor Set, polyamide, Load capacity 1350 kg / castor set	A	192,-	15,-	207,-
Skip Body Welded Oil and Watertight	A	78,-	0,-	78,-
NK 75, hot-dip galvanized	A	1743,-	407,-	2150,-
Lid, galvanized	A	142,-	22,-	164,-
Castor Set, polyamide, Load capacity 1350 kg / castor set	A	192,-	15,-	207,-
Skip Body Welded Oil and Watertight	A	78,-	0,-	78,-
NK 100, painted	A	1508,-	407,-	1915,-
Lid, galvanized	A	173,-	27,-	200,-
Castor Set, polyamide, Load capacity 1350 kg / castor set	A	192,-	15,-	207,-
Skip Body Welded Oil and Watertight	A	121,-	0,-	121,-
NK 100, hot-dip galvanized	A	2070,-	407,-	2477,-
Lid, galvanized	A	173,-	27,-	200,-
Castor Set, polyamide, Load capacity 1350 kg / castor set	A	192,-	15,-	207,-
Skip Body Welded Oil and Watertight	A	121,-	0,-	121,-
Cylindrical Container Type RB	Category	Price	Freight charges	Price including freight charges
RB 300, painted	A	679,-	183,-	862,-
Lid, aluminium	A	160,-	14,-	174,-
Castor Set, polyamide, Load capacity 1050 kg / castor set	A	156,-	15,-	171,-
RB 450, painted	A	793,-	183,-	976,-
Lid, aluminium	A	160,-	14,-	174,-
Castor Set, polyamide, Load capacity 1050 kg / castor set	A	156,-	15,-	171,-
Tilting Container Type RD	Category	Price	Freight charges	Price including freight charges
RD 750, painted	A	1202,-	407,-	1609,-
Castor Set, polyamide, Load capacity 1350 kg / castor set	A	192,-	15,-	207,-
Skip Body Welded Oil and Watertight	A	78,-	0,-	78,-
RD 750, hot-dip galvanized	A	1602,-	407,-	2009,-
Castor Set, polyamide, Load capacity 1350 kg / castor set	A	192,-	15,-	207,-
Skip Body Welded Oil and Watertight	A	78,-	0,-	78,-
RD 1000, painted	A	1449,-	407,-	1856,-
Castor Set, polyamide, Load capacity 1350 kg / castor set	A	192,-	15,-	207,-
Skip Body Welded Oil and Watertight	A	121,-	0,-	121,-
RD 1000, hot-dip galvanized	A	1933,-	407,-	2340,-
Castor Set, polyamide, Load capacity 1350 kg / castor set	A	192,-	15,-	207,-
Skip Body Welded Oil and Watertight	A	121,-	0,-	121,-
Platform for Off-Cuts Type RGP	Category	Price	Freight charges	Price including freight charges
RGP-1, painted	A	2437,-	on request	on request

Prices in EUR, valid EXW DE-46354 Südlohn, DE-38820 Halberstadt, unpacked
Freight charges valid CPT Ireland, islands and oversea territories excluded

Price List 0726 en-IE

Forklift Truck Attachments



Platform for Off-Cuts Type RGP	Category	Price	Freight charges	Price including freight charges
RGP-1, hot-dip galvanized	A	3118,-	on request	on request
RGP-2, painted	A	2669,-	on request	on request
RGP-2, hot-dip galvanized	A	3558,-	on request	on request
RGP-3, painted	A	2907,-	on request	on request
RGP-3, hot-dip galvanized	A	3916,-	on request	on request
Shunting Aid Type RH	Category	Price	Freight charges	Price including freight charges
RH, painted	A	426,-	60,-	486,-
Shunting Aid Type RH-AC	Category	Price	Freight charges	Price including freight charges
RH-AC, painted	A	2305,-	407,-	2712,-
Shunting Aid Type RH-RA	Category	Price	Freight charges	Price including freight charges
RH-RA, painted	A	1586,-	183,-	1769,-
Shunting Aid Type RH-RAK	Category	Price	Freight charges	Price including freight charges
RH-RAK, painted	A	1691,-	183,-	1874,-
Shunting Aid Type RH-RM	Category	Price	Freight charges	Price including freight charges
RH-RM, painted	A	1178,-	183,-	1361,-
Shunting Aid Type RH-RMK	Category	Price	Freight charges	Price including freight charges
RH-RMK, painted	A	1285,-	183,-	1468,-
Drum Lifter Type RS 60	Category	Price	Freight charges	Price including freight charges
RS 60-I, painted	B	1013,-	183,-	1196,-
RS 60-I, hot-dip galvanized	B	1076,-	183,-	1259,-
RS 60-II, painted	B	1713,-	183,-	1896,-
RS 60-II, hot-dip galvanized	B	1798,-	183,-	1981,-
Drum Lifter Type RS	Category	Price	Freight charges	Price including freight charges
RS-I/91, painted	B	1701,-	278,-	1979,-
RS-I/91, hot-dip galvanized	B	1945,-	278,-	2223,-
RS-II/91, painted	B	2948,-	278,-	3226,-
RS-II/91, hot-dip galvanized	B	3320,-	278,-	3598,-
RS-I/M, painted	B	1556,-	183,-	1739,-
RS-I/M, hot-dip galvanized	B	1798,-	278,-	2076,-
RS-II/M, painted	B	2663,-	278,-	2941,-
RS-II/M, hot-dip galvanized	B	3030,-	278,-	3308,-
Drum Lifter Type RS/D 91	Category	Price	Freight charges	Price including freight charges
RS-I/D 91, painted	B	1488,-	278,-	1766,-
RS-I/D 91, hot-dip galvanized	B	1730,-	278,-	2008,-
RS-II/D 91, painted	B	2521,-	278,-	2799,-

Prices in EUR, valid EXW DE-46354 Südlohn, DE-38820 Halberstadt, unpacked
Freight charges valid CPT Ireland, islands and oversea territories excluded

Price List 0726 en-IE

Forklift Truck Attachments



Drum Lifter Type RS/D 91	Category	Price	Freight charges	Price including freight charges
RS-II/D 91, hot-dip galvanized	B	2887,-	278,-	3165,-

Swarf Tilting Container Type S3S	Category	Price	Freight charges	Price including freight charges
S3S 300, painted	A	1357,-	278,-	1635,-
Lid, galvanized	A	174,-	18,-	192,-
Castor Set, polyamide, Load capacity 1050 kg / castor set	A	136,-	15,-	151,-
S3S 300, hot-dip galvanized	A	1454,-	407,-	1861,-
Lid, galvanized	A	174,-	18,-	192,-
Castor Set, polyamide, Load capacity 1050 kg / castor set	A	136,-	15,-	151,-
S3S 600, painted	A	1413,-	407,-	1820,-
Lid, galvanized	A	196,-	22,-	218,-
Castor Set, polyamide, Load capacity 1050 kg / castor set	A	136,-	15,-	151,-
S3S 600, hot-dip galvanized	A	1514,-	407,-	1921,-
Lid, galvanized	A	196,-	22,-	218,-
Castor Set, polyamide, Load capacity 1050 kg / castor set	A	136,-	15,-	151,-

Swarf Tilting Container Type S4A	Category	Price	Freight charges	Price including freight charges
S4A 600, painted	A	1271,-	278,-	1549,-
Lid, galvanized	A	196,-	22,-	218,-
S4A 600, hot-dip galvanized	A	1418,-	278,-	1696,-
Lid, galvanized	A	196,-	22,-	218,-
S4A 900, painted	A	1408,-	407,-	1815,-
Lid, galvanized	A	223,-	27,-	250,-
S4A 900, hot-dip galvanized	A	1595,-	407,-	2002,-
Lid, galvanized	A	223,-	27,-	250,-
S4A 1200, painted	A	1497,-	407,-	1904,-
Lid, galvanized	A	223,-	26,-	249,-
S4A 1200, hot-dip galvanized	A	1730,-	407,-	2137,-
Lid, galvanized	A	223,-	26,-	249,-

Container With Drop Away Base Type SB	Category	Price	Freight charges	Price including freight charges
SB 500, painted	B	1000,-	278,-	1278,-
Lid, galvanized	B	143,-	16,-	159,-
Castor Set, polyamide, Load capacity 1350 kg / castor set	A	192,-	15,-	207,-
Heavy-duty Castor Set, polyamide, Load capacity 2550 kg / castor set	A	379,-	15,-	394,-
SB 500, hot-dip galvanized	B	1303,-	278,-	1581,-
Lid, galvanized	B	143,-	16,-	159,-
Castor Set, polyamide, Load capacity 1350 kg / castor set	A	192,-	15,-	207,-
Heavy-duty Castor Set, polyamide, Load capacity 2550 kg / castor set	A	379,-	15,-	394,-
SB 750, painted	B	1094,-	278,-	1372,-
Lid, galvanized	B	143,-	16,-	159,-
Castor Set, polyamide, Load capacity 1350 kg / castor set	A	192,-	15,-	207,-
Heavy-duty Castor Set, polyamide, Load capacity 2550 kg / castor set	A	379,-	15,-	394,-
SB 750, hot-dip galvanized	B	1520,-	407,-	1927,-
Lid, galvanized	B	143,-	16,-	159,-

Prices in EUR, valid EXW DE-46354 Südlohn, DE-38820 Halberstadt, unpacked
Freight charges valid CPT Ireland, islands and oversea territories excluded

Price List 0726 en-IE

Forklift Truck Attachments



Container With Drop Away Base Type SB	Category	Price	Freight charges	Price including freight charges
Castor Set, polyamide, Load capacity 1350 kg / castor set	A	192,-	15,-	207,-
Heavy-duty Castor Set, polyamide, Load capacity 2550 kg / castor set	A	379,-	15,-	394,-
SB 1000, painted	B	1295,-	407,-	1702,-
Lid, galvanized	B	143,-	16,-	159,-
Castor Set, polyamide, Load capacity 1350 kg / castor set	A	192,-	15,-	207,-
Heavy-duty Castor Set, polyamide, Load capacity 2550 kg / castor set	A	379,-	15,-	394,-
SB 1000, hot-dip galvanized	B	1801,-	407,-	2208,-
Lid, galvanized	B	143,-	16,-	159,-
Castor Set, polyamide, Load capacity 1350 kg / castor set	A	192,-	15,-	207,-
Heavy-duty Castor Set, polyamide, Load capacity 2550 kg / castor set	A	379,-	15,-	394,-
SB 1500, painted	B	1755,-	407,-	2162,-
Lid, galvanized	B	254,-	21,-	275,-
Castor Set, polyamide, Load capacity 1350 kg / castor set	A	192,-	15,-	207,-
Heavy-duty Castor Set, polyamide, Load capacity 2550 kg / castor set	A	379,-	15,-	394,-
SB 1500, hot-dip galvanized	B	2443,-	496,-	2939,-
Lid, galvanized	B	254,-	21,-	275,-
Castor Set, polyamide, Load capacity 1350 kg / castor set	A	192,-	15,-	207,-
Heavy-duty Castor Set, polyamide, Load capacity 2550 kg / castor set	A	379,-	15,-	394,-
SB 2000, painted	B	1803,-	496,-	2299,-
Lid, galvanized	B	254,-	21,-	275,-
Castor Set, polyamide, Load capacity 1350 kg / castor set	A	192,-	15,-	207,-
Heavy-duty Castor Set, polyamide, Load capacity 2550 kg / castor set	A	379,-	15,-	394,-
SB 2000, hot-dip galvanized	B	2581,-	496,-	3077,-
Lid, galvanized	B	254,-	21,-	275,-
Castor Set, polyamide, Load capacity 1350 kg / castor set	A	192,-	15,-	207,-
Heavy-duty Castor Set, polyamide, Load capacity 2550 kg / castor set	A	379,-	15,-	394,-
Collecting System Type SBS	Category	Price	Freight charges	Price including freight charges
SBS 500, painted	C	399,-	278,-	677,-
Trolley TW 500, hot-dip galvanized	C	258,-	183,-	441,-
SBS 500, hot-dip galvanized	C	472,-	278,-	750,-
Trolley TW 500, hot-dip galvanized	C	258,-	183,-	441,-
SBS 1000, painted	C	509,-	278,-	787,-
Trolley TW 1000, hot-dip galvanized	C	297,-	183,-	480,-
SBS 1000, hot-dip galvanized	C	626,-	278,-	904,-
Trolley TW 1000, hot-dip galvanized	C	297,-	183,-	480,-
SBS 2000, painted	C	807,-	459,-	1266,-
Trolley TW 2000, hot-dip galvanized	C	505,-	183,-	688,-
SBS 2000, hot-dip galvanized	C	968,-	459,-	1427,-
Trolley TW 2000, hot-dip galvanized	C	505,-	183,-	688,-
Filling Hopper Type SBT	Category	Price	Freight charges	Price including freight charges
SBT, painted	A	1671,-	407,-	2078,-

Prices in EUR, valid EXW DE-46354 Südlohn, DE-38820 Halberstadt, unpacked
Freight charges valid CPT Ireland, islands and oversea territories excluded

Price List 0726 en-IE

Forklift Truck Attachments



Snowdozer Type SCH-F	Category	Price	Freight charges	Price including freight charges
SCH-F 150, painted	A	2233,-	407,-	2640,-
SCH-F 180, painted	A	2507,-	407,-	2914,-
SCH-F 210, painted	A	2818,-	407,-	3225,-
SCH-F 240, painted	A	3095,-	549,-	3644,-
Snowdozer Type SCH-G	Category	Price	Freight charges	Price including freight charges
SCH-G 150, painted	A	1584,-	278,-	1862,-
SCH-G 180, painted	A	1730,-	278,-	2008,-
SCH-G 210, painted	A	1998,-	407,-	2405,-
SCH-G 240, painted	A	2160,-	459,-	2619,-
Snowdozer Type SCH-L	Category	Price	Freight charges	Price including freight charges
SCH-L 1500, painted	A	1182,-	278,-	1460,-
SCH-L 1500, hot-dip galvanized	A	1310,-	278,-	1588,-
SCH-L 1800, painted	A	1380,-	278,-	1658,-
SCH-L 1800, hot-dip galvanized	A	1532,-	278,-	1810,-
Snow Plough Type SCH-P-G	Category	Price	Freight charges	Price including freight charges
SCH-P-G 150, painted	A	2493,-	407,-	2900,-
SCH-P-G 180, painted	A	2677,-	407,-	3084,-
SCH-P-G 210, painted	A	2870,-	407,-	3277,-
SCH-P-G 240, painted	A	3408,-	459,-	3867,-
Snow Plough Type SCH-P-S	Category	Price	Freight charges	Price including freight charges
SCH-P-S 150, painted	A	2318,-	407,-	2725,-
SCH-P-S 180, painted	A	2476,-	407,-	2883,-
SCH-P-S 210, painted	A	2629,-	407,-	3036,-
SCH-P-S 240, painted	A	3128,-	459,-	3587,-
Snow Plough Type SCH-P-V	Category	Price	Freight charges	Price including freight charges
SCH-P-V 150, painted	A	2681,-	407,-	3088,-
SCH-P-V 180, painted	A	2949,-	407,-	3356,-
SCH-P-V 210, painted	A	3200,-	407,-	3607,-
SCH-P-V 240, painted	A	3741,-	459,-	4200,-
Snowdozer Type SCH-S	Category	Price	Freight charges	Price including freight charges
SCH-S 150, painted	A	1407,-	278,-	1685,-
SCH-S 180, painted	A	1528,-	278,-	1806,-
SCH-S 210, painted	A	1760,-	407,-	2167,-
SCH-S 240, painted	A	1880,-	459,-	2339,-
Snow Plough Type SCH-U-G	Category	Price	Freight charges	Price including freight charges
SCH-U-G 150, painted	A	2493,-	407,-	2900,-
SCH-U-G 180, painted	A	2677,-	407,-	3084,-

Prices in EUR, valid EXW DE-46354 Südlohn, DE-38820 Halberstadt, unpacked
 Freight charges valid CPT Ireland, islands and oversea territories excluded

Price List 0726 en-IE

Forklift Truck Attachments



Snow Plough Type SCH-U-G	Category	Price	Freight charges	Price including freight charges
SCH-U-G 210, painted	A	2870,-	407,-	3277,-
SCH-U-G 240, painted	A	3408,-	459,-	3867,-
Snow Plough Type SCH-U-S	Category	Price	Freight charges	Price including freight charges
SCH-U-S 150, painted	A	2318,-	407,-	2725,-
SCH-U-S 180, painted	A	2476,-	407,-	2883,-
SCH-U-S 210, painted	A	2629,-	407,-	3036,-
SCH-U-S 240, painted	A	3128,-	459,-	3587,-
Snow Plough Type SCH-U-V	Category	Price	Freight charges	Price including freight charges
SCH-U-V 150, painted	A	2681,-	407,-	3088,-
SCH-U-V 180, painted	A	2949,-	407,-	3356,-
SCH-U-V 210, painted	A	3200,-	407,-	3607,-
SCH-U-V 240, painted	A	3741,-	459,-	4200,-
Snowdozer Type SCH-V	Category	Price	Freight charges	Price including freight charges
SCH-V 150, painted	A	1769,-	278,-	2047,-
SCH-V 180, painted	A	1991,-	278,-	2269,-
SCH-V 210, painted	A	2331,-	407,-	2738,-
SCH-V 240, painted	A	2492,-	459,-	2951,-
Silo Container Type SG	Category	Price	Freight charges	Price including freight charges
SG 375, painted	E	1014,-	278,-	1292,-
Lid, galvanized	E	131,-	28,-	159,-
SG 375, hot-dip galvanized	E	1760,-	278,-	2038,-
Lid, galvanized	E	131,-	28,-	159,-
SG 600, painted	E	1209,-	278,-	1487,-
Lid, galvanized	E	131,-	28,-	159,-
SG 600, hot-dip galvanized	E	1951,-	278,-	2229,-
Lid, galvanized	E	131,-	28,-	159,-
Silo Container Type SG-D	Category	Price	Freight charges	Price including freight charges
SG-D 375, painted	E	1014,-	183,-	1197,-
Lid, galvanized	E	131,-	28,-	159,-
SG-D 375, hot-dip galvanized	E	1760,-	278,-	2038,-
Lid, galvanized	E	131,-	28,-	159,-
SG-D 600, painted	E	1209,-	278,-	1487,-
Lid, galvanized	E	131,-	28,-	159,-
SG-D 600, hot-dip galvanized	E	1951,-	278,-	2229,-
Lid, galvanized	E	131,-	28,-	159,-
Silo Container Type SGK	Category	Price	Freight charges	Price including freight charges
SGK 50, painted	A	1115,-	278,-	1393,-
SGK 50, hot-dip galvanized	A	1142,-	278,-	1420,-
SGK 75, painted	A	1214,-	278,-	1492,-

Prices in EUR, valid EXW DE-46354 Südlohn, DE-38820 Halberstadt, unpacked
Freight charges valid CPT Ireland, islands and oversea territories excluded

Price List 0726 en-IE

Forklift Truck Attachments



Silo Container Type SGK	Category	Price	Freight charges	Price including freight charges
SGK 75, hot-dip galvanized	A	1251,-	278,-	1529,-
SGK 100, painted	A	1327,-	278,-	1605,-
SGK 100, hot-dip galvanized	A	1367,-	278,-	1645,-
Silo Container Type SGS	Category	Price	Freight charges	Price including freight charges
SGS 50, painted	A	885,-	183,-	1068,-
SGS 50, hot-dip galvanized	A	902,-	278,-	1180,-
SGS 75, painted	A	982,-	278,-	1260,-
SGS 75, hot-dip galvanized	A	1015,-	278,-	1293,-
SGS 100, painted	A	1078,-	278,-	1356,-
SGS 100, hot-dip galvanized	A	1110,-	278,-	1388,-
Swarf Tilting Container Type SGU	Category	Price	Freight charges	Price including freight charges
SGU 30, painted	A	940,-	278,-	1218,-
Lid, galvanized	A	98,-	18,-	116,-
Castor Set, polyamide, Load capacity 1350 kg / castor set	A	192,-	15,-	207,-
Crane lifting eyes for use with a crane	A	106,-	8,-	114,-
Support legs, 100 mm ground leeway	A	70,-	8,-	78,-
SGU 30, hot-dip galvanized	A	1117,-	278,-	1395,-
Lid, galvanized	A	98,-	18,-	116,-
Castor Set, polyamide, Load capacity 1350 kg / castor set	A	192,-	15,-	207,-
Crane lifting eyes for use with a crane	A	106,-	8,-	114,-
Support legs, 100 mm ground leeway	A	70,-	8,-	78,-
SGU 50, painted	A	1163,-	278,-	1441,-
Lid, galvanized	A	98,-	18,-	116,-
Castor Set, polyamide, Load capacity 1350 kg / castor set	A	192,-	15,-	207,-
Adjustable dumping brake	A	464,-	10,-	474,-
Crane lifting eyes for use with a crane	A	106,-	8,-	114,-
Support legs, 100 mm ground leeway	A	70,-	8,-	78,-
SGU 50, hot-dip galvanized	A	1407,-	278,-	1685,-
Lid, galvanized	A	98,-	18,-	116,-
Castor Set, polyamide, Load capacity 1350 kg / castor set	A	192,-	15,-	207,-
Adjustable dumping brake	A	464,-	10,-	474,-
Crane lifting eyes for use with a crane	A	106,-	8,-	114,-
Support legs, 100 mm ground leeway	A	70,-	8,-	78,-
SGU 75, painted	A	1312,-	278,-	1590,-
Lid, galvanized	A	139,-	26,-	165,-
Castor Set, polyamide, Load capacity 1350 kg / castor set	A	192,-	15,-	207,-
Adjustable dumping brake	A	464,-	10,-	474,-
Crane lifting eyes for use with a crane	A	106,-	8,-	114,-
Support legs, 100 mm ground leeway	A	70,-	8,-	78,-
SGU 75, hot-dip galvanized	A	1623,-	278,-	1901,-
Lid, galvanized	A	139,-	26,-	165,-
Castor Set, polyamide, Load capacity 1350 kg / castor set	A	192,-	15,-	207,-
Adjustable dumping brake	A	464,-	10,-	474,-

Prices in EUR, valid EXW DE-46354 Südlohn, DE-38820 Halberstadt, unpacked
Freight charges valid CPT Ireland, islands and oversea territories excluded

Price List 0726 en-IE

Forklift Truck Attachments



Swarf Tilting Container Type SGU	Category	Price	Freight charges	Price including freight charges
Crane lifting eyes for use with a crane	A	106,-	8,-	114,-
Support legs, 100 mm ground leeway	A	70,-	8,-	78,-
SGU 100, painted	A	1571,-	407,-	1978,-
Lid, galvanized	A	192,-	27,-	219,-
Castor Set, polyamide, Load capacity 1350 kg / castor set	A	192,-	15,-	207,-
Adjustable dumping brake	A	464,-	10,-	474,-
Crane lifting eyes for use with a crane	A	106,-	8,-	114,-
Support legs, 100 mm ground leeway	A	70,-	8,-	78,-
SGU 100, hot-dip galvanized	A	2120,-	407,-	2527,-
Lid, galvanized	A	192,-	27,-	219,-
Castor Set, polyamide, Load capacity 1350 kg / castor set	A	192,-	15,-	207,-
Adjustable dumping brake	A	464,-	10,-	474,-
Crane lifting eyes for use with a crane	A	106,-	8,-	114,-
Support legs, 100 mm ground leeway	A	70,-	8,-	78,-
SGU 150, painted	A	1764,-	407,-	2171,-
Lid, galvanized	A	192,-	27,-	219,-
Castor Set, polyamide, Load capacity 1350 kg / castor set	A	192,-	15,-	207,-
Adjustable dumping brake	A	464,-	10,-	474,-
Crane lifting eyes for use with a crane	A	106,-	8,-	114,-
Support legs, 100 mm ground leeway	A	70,-	8,-	78,-
SGU 150, hot-dip galvanized	A	2242,-	407,-	2649,-
Lid, galvanized	A	192,-	27,-	219,-
Castor Set, polyamide, Load capacity 1350 kg / castor set	A	192,-	15,-	207,-
Adjustable dumping brake	A	464,-	10,-	474,-
Crane lifting eyes for use with a crane	A	106,-	8,-	114,-
Support legs, 100 mm ground leeway	A	70,-	8,-	78,-
SGU 200, painted	A	2215,-	496,-	2711,-
Lid, galvanized	A	226,-	32,-	258,-
Castor Set, polyamide, Load capacity 1350 kg / castor set	A	192,-	15,-	207,-
Adjustable dumping brake	A	464,-	10,-	474,-
Crane lifting eyes for use with a crane	A	106,-	8,-	114,-
Support legs, 100 mm ground leeway	A	70,-	8,-	78,-
SGU 200, hot-dip galvanized	A	2779,-	496,-	3275,-
Castor Set, polyamide, Load capacity 1350 kg / castor set	A	192,-	15,-	207,-
Lid, galvanized	A	226,-	32,-	258,-
Adjustable dumping brake	A	464,-	10,-	474,-
Crane lifting eyes for use with a crane	A	106,-	8,-	114,-
Support legs, 100 mm ground leeway	A	70,-	8,-	78,-
Swarf Tilting Container Type SGU-RZ	Category	Price	Freight charges	Price including freight charges
SGU-RZ 30, painted	A	972,-	278,-	1250,-
Lid, galvanized	A	95,-	18,-	113,-
SGU-RZ 30, hot-dip galvanized	A	1097,-	278,-	1375,-
Lid, galvanized	A	95,-	18,-	113,-
SGU-RZ 55, painted	A	1202,-	278,-	1480,-
Lid, galvanized	A	95,-	18,-	113,-

Prices in EUR, valid EXW DE-46354 Südlohn, DE-38820 Halberstadt, unpacked
 Freight charges valid CPT Ireland, islands and oversea territories excluded

Price List 0726 en-IE

Forklift Truck Attachments



Swarf Tilting Container Type SGU-RZ	Category	Price	Freight charges	Price including freight charges
SGU-RZ 55, hot-dip galvanized	A	1314,-	278,-	1592,-
Lid, galvanized	A	95,-	18,-	113,-
Gritter Type SH	Category	Price	Freight charges	Price including freight charges
SH, painted	A	3569,-	278,-	3847,-
Tarpaulin	A	122,-	10,-	132,-
Forklift Safety Cage Type SIKO	Category	Price	Freight charges	Price including freight charges
SIKO, painted	A	726,-	278,-	1004,-
Castor Set, polyamide, Load capacity 1050 kg / castor set	A	136,-	15,-	151,-
Forklift Safety Cage Type SIKO/L	Category	Price	Freight charges	Price including freight charges
SIKO/L, painted	A	878,-	278,-	1156,-
Castor Set, polyamide, Load capacity 1050 kg / castor set	A	136,-	15,-	151,-
Forklift Safety Cage Type SIKO-G	Category	Price	Freight charges	Price including freight charges
SIKO-G, painted	A	657,-	183,-	840,-
Forklift Safety Cage Type SIKO-M	Category	Price	Freight charges	Price including freight charges
SIKO-M, painted	A	529,-	183,-	712,-
Heavy Duty Tilting Container Type SK	Category	Price	Freight charges	Price including freight charges
SK 300, painted	A	1281,-	407,-	1688,-
Lid, galvanized	A	174,-	18,-	192,-
Heavy-duty Castor Set, polyamide, Load capacity 2550 kg / castor set	A	379,-	15,-	394,-
Skip Body Welded Oil and Watertight	A	78,-	0,-	78,-
SK 300, hot-dip galvanized	A	1555,-	407,-	1962,-
Lid, galvanized	A	174,-	18,-	192,-
Heavy-duty Castor Set, polyamide, Load capacity 2550 kg / castor set	A	379,-	15,-	394,-
Skip Body Welded Oil and Watertight	A	78,-	0,-	78,-
SK 600, painted	A	1386,-	407,-	1793,-
Lid, galvanized	A	196,-	22,-	218,-
Heavy-duty Castor Set, polyamide, Load capacity 2550 kg / castor set	A	379,-	15,-	394,-
Skip Body Welded Oil and Watertight	A	78,-	0,-	78,-
SK 600, hot-dip galvanized	A	1724,-	496,-	2220,-
Lid, galvanized	A	196,-	22,-	218,-
Heavy-duty Castor Set, polyamide, Load capacity 2550 kg / castor set	A	379,-	15,-	394,-
Skip Body Welded Oil and Watertight	A	78,-	0,-	78,-
SK 900, painted	A	1510,-	496,-	2006,-
Lid, galvanized	A	223,-	27,-	250,-
Heavy-duty Castor Set, polyamide, Load capacity 2550 kg / castor set	A	379,-	15,-	394,-
Skip Body Welded Oil and Watertight	A	78,-	0,-	78,-
SK 900, hot-dip galvanized	A	1941,-	496,-	2437,-
Lid, galvanized	A	223,-	27,-	250,-
Heavy-duty Castor Set, polyamide, Load capacity 2550 kg / castor set	A	379,-	15,-	394,-

Prices in EUR, valid EXW DE-46354 Südlohn, DE-38820 Halberstadt, unpacked
Freight charges valid CPT Ireland, islands and oversea territories excluded

Price List 0726 en-IE

Forklift Truck Attachments



Heavy Duty Tilting Container Type SK	Category	Price	Freight charges	Price including freight charges
Skip Body Welded Oil and Watertight	A	78,-	0,-	78,-
SK 1200, painted	A	1770,-	496,-	2266,-
Lid, galvanized	A	223,-	26,-	249,-
Heavy-duty Castor Set, polyamide, Load capacity 2550 kg / castor set	A	379,-	15,-	394,-
Skip Body Welded Oil and Watertight	A	121,-	0,-	121,-
SK 1200, hot-dip galvanized	A	2277,-	641,-	2918,-
Lid, galvanized	A	223,-	26,-	249,-
Heavy-duty Castor Set, polyamide, Load capacity 2550 kg / castor set	A	379,-	15,-	394,-
Skip Body Welded Oil and Watertight	A	121,-	0,-	121,-
SK 1700, painted	A	1862,-	641,-	2503,-
Lid, galvanized	A	276,-	33,-	309,-
Heavy-duty Castor Set, polyamide, Load capacity 2550 kg / castor set	A	379,-	15,-	394,-
Skip Body Welded Oil and Watertight	A	121,-	0,-	121,-
SK 1700, hot-dip galvanized	A	2492,-	641,-	3133,-
Lid, galvanized	A	276,-	33,-	309,-
Heavy-duty Castor Set, polyamide, Load capacity 2550 kg / castor set	A	379,-	15,-	394,-
Skip Body Welded Oil and Watertight	A	121,-	0,-	121,-
SK 2100, painted	A	2032,-	641,-	2673,-
Lid, galvanized	A	360,-	36,-	396,-
Heavy-duty Castor Set, polyamide, Load capacity 2550 kg / castor set	A	379,-	15,-	394,-
Skip Body Welded Oil and Watertight	A	121,-	0,-	121,-
SK 2100, hot-dip galvanized	A	2739,-	641,-	3380,-
Lid, galvanized	A	360,-	36,-	396,-
Heavy-duty Castor Set, polyamide, Load capacity 2550 kg / castor set	A	379,-	15,-	394,-
Skip Body Welded Oil and Watertight	A	121,-	0,-	121,-
Broom Type SKB	Category	Price	Freight charges	Price including freight charges
SKB 100, painted	A	958,-	183,-	1141,-
SKB 150, painted	A	1197,-	183,-	1380,-
SKB 200, painted	A	1475,-	183,-	1658,-
Broom Type SKB-0	Category	Price	Freight charges	Price including freight charges
SKB-0 100, painted	A	658,-	183,-	841,-
SKB-0 150, painted	A	898,-	183,-	1081,-
SKB-0 200, painted	A	1176,-	183,-	1359,-
Swarf Tipping Skip Type SKK	Category	Price	Freight charges	Price including freight charges
SKK 250, painted	E	534,-	183,-	717,-
Lid, galvanized	E	136,-	15,-	151,-
Castor Set, polyamide, Load capacity 1050 kg / castor set	A	136,-	15,-	151,-
Castor Set, solid rubber, Load capacity 615 kg / castor set	E	103,-	15,-	118,-
SKK 250, hot-dip galvanized	E	583,-	183,-	766,-
Lid, galvanized	E	136,-	15,-	151,-
Castor Set, polyamide, Load capacity 1050 kg / castor set	A	136,-	15,-	151,-
Castor Set, solid rubber, Load capacity 615 kg / castor set	E	103,-	15,-	118,-

Prices in EUR, valid EXW DE-46354 Südlohn, DE-38820 Halberstadt, unpacked
Freight charges valid CPT Ireland, islands and oversea territories excluded

Price List 0726 en-IE

Forklift Truck Attachments



Swarf Tipping Skip Type SKK	Category	Price	Freight charges	Price including freight charges
SKK 400, painted	E	600,-	183,-	783,-
Lid, galvanized	E	156,-	16,-	172,-
Castor Set, polyamide, Load capacity 1050 kg / castor set	A	136,-	15,-	151,-
Castor Set, solid rubber, Load capacity 615 kg / castor set	E	103,-	15,-	118,-
SKK 400, hot-dip galvanized	E	649,-	183,-	832,-
Lid, galvanized	E	156,-	16,-	172,-
Castor Set, polyamide, Load capacity 1050 kg / castor set	A	136,-	15,-	151,-
Castor Set, solid rubber, Load capacity 615 kg / castor set	E	103,-	15,-	118,-
SKK 600, painted	E	815,-	278,-	1093,-
Lid, galvanized	E	173,-	20,-	193,-
Castor Set, polyamide, Load capacity 1050 kg / castor set	A	136,-	15,-	151,-
Castor Set, solid rubber, Load capacity 615 kg / castor set	E	103,-	15,-	118,-
SKK 600, hot-dip galvanized	E	914,-	278,-	1192,-
Lid, galvanized	E	173,-	20,-	193,-
Castor Set, polyamide, Load capacity 1050 kg / castor set	A	136,-	15,-	151,-
Castor Set, solid rubber, Load capacity 615 kg / castor set	E	103,-	15,-	118,-
SKK 800, painted	E	872,-	278,-	1150,-
Lid, galvanized	E	181,-	21,-	202,-
Castor Set, polyamide, Load capacity 1050 kg / castor set	A	136,-	15,-	151,-
Castor Set, solid rubber, Load capacity 615 kg / castor set	E	103,-	15,-	118,-
SKK 800, hot-dip galvanized	E	980,-	278,-	1258,-
Lid, galvanized	E	181,-	21,-	202,-
Castor Set, polyamide, Load capacity 1050 kg / castor set	A	136,-	15,-	151,-
Castor Set, solid rubber, Load capacity 615 kg / castor set	E	103,-	15,-	118,-
SKK 1000, painted	E	930,-	278,-	1208,-
Lid, galvanized	E	193,-	22,-	215,-
Castor Set, polyamide, Load capacity 1050 kg / castor set	A	136,-	15,-	151,-
Castor Set, solid rubber, Load capacity 615 kg / castor set	E	103,-	15,-	118,-
SKK 1000, hot-dip galvanized	E	1063,-	278,-	1341,-
Lid, galvanized	E	193,-	22,-	215,-
Castor Set, polyamide, Load capacity 1050 kg / castor set	A	136,-	15,-	151,-
Castor Set, solid rubber, Load capacity 615 kg / castor set	E	103,-	15,-	118,-

Swarf Tilting Container Type SKM	Category	Price	Freight charges	Price including freight charges
SKM 30, painted	A	950,-	278,-	1228,-
Lid, galvanized	A	104,-	18,-	122,-
SKM 30, hot-dip galvanized	A	1148,-	278,-	1426,-
Lid, galvanized	A	104,-	18,-	122,-
SKM 50, painted	A	1220,-	278,-	1498,-
Lid, galvanized	A	158,-	28,-	186,-
SKM 50, hot-dip galvanized	A	1478,-	278,-	1756,-
Lid, galvanized	A	158,-	28,-	186,-
SKM 75, painted	A	1469,-	278,-	1747,-
Lid, galvanized	A	175,-	33,-	208,-
SKM 75, hot-dip galvanized	A	1790,-	407,-	2197,-
Lid, galvanized	A	175,-	33,-	208,-

Prices in EUR, valid EXW DE-46354 Südlohn, DE-38820 Halberstadt, unpacked
Freight charges valid CPT Ireland, islands and oversea territories excluded

Price List 0726 en-IE

Forklift Truck Attachments



Swarf Tipping Skip Type SKN	Category	Price	Freight charges	Price including freight charges
SKN 250, painted	E	534,-	183,-	717,-
Lid, galvanized	E	136,-	15,-	151,-
Castor Set, polyamide, Load capacity 1050 kg / castor set	A	136,-	15,-	151,-
Castor Set, solid rubber, Load capacity 615 kg / castor set	E	103,-	15,-	118,-
SKN 250, hot-dip galvanized	E	583,-	183,-	766,-
Lid, galvanized	E	136,-	15,-	151,-
Castor Set, polyamide, Load capacity 1050 kg / castor set	A	136,-	15,-	151,-
Castor Set, solid rubber, Load capacity 615 kg / castor set	E	103,-	15,-	118,-
SKN 400, painted	E	600,-	183,-	783,-
Lid, galvanized	E	156,-	16,-	172,-
Castor Set, polyamide, Load capacity 1050 kg / castor set	A	136,-	15,-	151,-
Castor Set, solid rubber, Load capacity 615 kg / castor set	E	103,-	15,-	118,-
SKN 400, hot-dip galvanized	E	649,-	183,-	832,-
Lid, galvanized	E	156,-	16,-	172,-
Castor Set, polyamide, Load capacity 1050 kg / castor set	A	136,-	15,-	151,-
Castor Set, solid rubber, Load capacity 615 kg / castor set	E	103,-	15,-	118,-

Swarf Tipping Skip Type SKS	Category	Price	Freight charges	Price including freight charges
SKS 400, painted	E	946,-	278,-	1224,-
SKS 550, painted	E	1013,-	278,-	1291,-
SKS 700, painted	E	1072,-	278,-	1350,-

Swarf Barrow Tipper Type SKW-ET	Category	Price	Freight charges	Price including freight charges
SKW-ET 250, painted	E	638,-	183,-	821,-
Lid, galvanized	E	136,-	15,-	151,-
SKW-ET 250, hot-dip galvanized	E	975,-	183,-	1158,-
Lid, galvanized	E	136,-	15,-	151,-
SKW-ET 400, painted	E	697,-	183,-	880,-
Lid, galvanized	E	156,-	16,-	172,-
SKW-ET 400, hot-dip galvanized	E	1071,-	183,-	1254,-
Lid, galvanized	E	156,-	16,-	172,-
SKW-ET 600, painted	E	851,-	278,-	1129,-
Lid, galvanized	E	173,-	20,-	193,-
SKW-ET 600, hot-dip galvanized	E	1233,-	278,-	1511,-
Lid, galvanized	E	173,-	20,-	193,-
SKW-ET 1000, painted	E	1032,-	278,-	1310,-
Lid, galvanized	E	193,-	22,-	215,-
SKW-ET 1000, hot-dip galvanized	E	1643,-	278,-	1921,-
Lid, galvanized	E	193,-	22,-	215,-

Mini Swarf Tilting Container Type SMGU	Category	Price	Freight charges	Price including freight charges
SMGU 230, painted	A	689,-	183,-	872,-
Lid, galvanized	A	131,-	18,-	149,-
Castor Set, polyamide, Load capacity 1050 kg / castor set	A	156,-	15,-	171,-
SMGU 230, hot-dip galvanized	A	775,-	278,-	1053,-

Prices in EUR, valid EXW DE-46354 Südlohn, DE-38820 Halberstadt, unpacked
 Freight charges valid CPT Ireland, islands and oversea territories excluded

Price List 0726 en-IE

Forklift Truck Attachments



Mini Swarf Tilting Container Type SMGU	Category	Price	Freight charges	Price including freight charges
Lid, galvanized	A	131,-	18,-	149,-
Castor Set, polyamide, Load capacity 1050 kg / castor set	A	156,-	15,-	171,-
SMGU 270, painted	A	744,-	278,-	1022,-
Lid, galvanized	A	131,-	18,-	149,-
Castor Set, polyamide, Load capacity 1050 kg / castor set	A	156,-	15,-	171,-
SMGU 270, hot-dip galvanized	A	850,-	278,-	1128,-
Lid, galvanized	A	131,-	18,-	149,-
Castor Set, polyamide, Load capacity 1050 kg / castor set	A	156,-	15,-	171,-
SMGU 460, painted	A	935,-	278,-	1213,-
Lid, galvanized	A	169,-	22,-	191,-
Castor Set, polyamide, Load capacity 1050 kg / castor set	A	156,-	15,-	171,-
SMGU 460, hot-dip galvanized	A	1088,-	278,-	1366,-
Lid, galvanized	A	169,-	22,-	191,-
Castor Set, polyamide, Load capacity 1050 kg / castor set	A	156,-	15,-	171,-
SMGU 610, painted	A	1041,-	278,-	1319,-
Lid, galvanized	A	181,-	26,-	207,-
Castor Set, polyamide, Load capacity 1050 kg / castor set	A	156,-	15,-	171,-
SMGU 610, hot-dip galvanized	A	1209,-	278,-	1487,-
Lid, galvanized	A	181,-	26,-	207,-
Castor Set, polyamide, Load capacity 1050 kg / castor set	A	156,-	15,-	171,-

Silo Container Type SR	Category	Price	Freight charges	Price including freight charges
SR 375, painted	E	844,-	183,-	1027,-
Lid, galvanized	E	131,-	33,-	164,-
SR 375, hot-dip galvanized	E	1584,-	183,-	1767,-
Lid, galvanized	E	131,-	33,-	164,-
SR 600, painted	E	1048,-	278,-	1326,-
Lid, galvanized	E	131,-	33,-	164,-
SR 600, hot-dip galvanized	E	1801,-	278,-	2079,-
Lid, galvanized	E	131,-	33,-	164,-

Silo Container Type SR-D	Category	Price	Freight charges	Price including freight charges
SR-D 375, painted	E	844,-	183,-	1027,-
Lid, galvanized	E	131,-	33,-	164,-
SR-D 375, hot-dip galvanized	E	1584,-	183,-	1767,-
Lid, galvanized	E	131,-	33,-	164,-
SR-D 600, painted	E	1048,-	278,-	1326,-
Lid, galvanized	E	131,-	33,-	164,-
SR-D 600, hot-dip galvanized	E	1801,-	278,-	2079,-
Lid, galvanized	E	131,-	33,-	164,-

Silo Container Type SRE	Category	Price	Freight charges	Price including freight charges
SRE 375, painted	E	962,-	278,-	1240,-
Lid, galvanized	E	131,-	33,-	164,-
SRE 375, hot-dip galvanized	E	1723,-	278,-	2001,-

Prices in EUR, valid EXW DE-46354 Südlohn, DE-38820 Halberstadt, unpacked
 Freight charges valid CPT Ireland, islands and oversea territories excluded

Price List 0726 en-IE

Forklift Truck Attachments



Silo Container Type SRE	Category	Price	Freight charges	Price including freight charges
Lid, galvanized	E	131,-	33,-	164,-
SRE 600, painted	E	1171,-	278,-	1449,-
Lid, galvanized	E	131,-	33,-	164,-
SRE 600, hot-dip galvanized	E	1857,-	278,-	2135,-
Lid, galvanized	E	131,-	33,-	164,-
Silo Container Type SRE-D	Category	Price	Freight charges	Price including freight charges
SRE-D 375, painted	E	962,-	183,-	1145,-
Lid, galvanized	E	131,-	33,-	164,-
SRE-D 375, hot-dip galvanized	E	1723,-	278,-	2001,-
Lid, galvanized	E	131,-	33,-	164,-
SRE-D 600, painted	E	1171,-	278,-	1449,-
Lid, galvanized	E	131,-	33,-	164,-
SRE-D 600, hot-dip galvanized	E	1857,-	278,-	2135,-
Lid, galvanized	E	131,-	33,-	164,-
Forklift Tender System Type STS	Category	Price	Freight charges	Price including freight charges
STS 2,5, painted	C	3857,-	on request	on request
STS 5,0, painted	C	4546,-	on request	on request
Spreader Type STW	Category	Price	Freight charges	Price including freight charges
STW 100, painted	A	1216,-	183,-	1399,-
Tarpaulin	A	116,-	10,-	126,-
STW 260, painted	A	2147,-	183,-	2330,-
Tarpaulin	A	122,-	10,-	132,-
Traverse for Big Bags Type TBB	Category	Price	Freight charges	Price including freight charges
TBB, painted	A	901,-	183,-	1084,-
Traverse For Big Bags Type TBB-E	Category	Price	Freight charges	Price including freight charges
TBB-E, painted	A	852,-	183,-	1035,-
Traverse For Big Bags Type TBB-W	Category	Price	Freight charges	Price including freight charges
TBB-W, painted	A	1093,-	183,-	1276,-
Mini Lifting Beam Type TM	Category	Price	Freight charges	Price including freight charges
TM 200-500, hot-dip galvanized	F	399,-	60,-	459,-
TM 400-800, hot-dip galvanized	F	429,-	60,-	489,-
TM 800-1200, hot-dip galvanized	F	566,-	60,-	626,-
Tilting Container Type TRIO	Category	Price	Freight charges	Price including freight charges
TRIO, painted	A	2333,-	496,-	2829,-
Lid, galvanized	A	215,-	26,-	241,-
Castor Set, polyamide, Load capacity 1350 kg / castor set	A	192,-	15,-	207,-

Prices in EUR, valid EXW DE-46354 Südlohn, DE-38820 Halberstadt, unpacked
Freight charges valid CPT Ireland, islands and oversea territories excluded

Price List 0726 en-IE

Forklift Truck Attachments



Tilting Container Type TRIO	Category	Price	Freight charges	Price including freight charges
Set of 5 self-adhesive stickers with symbols for: glass, paper, plastic, metal, residual waste	A	29,-	on request	on request

Universal Container Type UC	Category	Price	Freight charges	Price including freight charges
UC 500, painted	A	675,-	183,-	858,-
Lid, galvanized	A	168,-	16,-	184,-
Castor Set, polyamide, Load capacity 1350 kg / castor set	A	192,-	15,-	207,-
Pick-up Profile on Type UC for Traverse Type UCT	A	106,-	0,-	106,-
UC 500, hot-dip galvanized	A	771,-	278,-	1049,-
Lid, galvanized	A	168,-	16,-	184,-
Castor Set, polyamide, Load capacity 1350 kg / castor set	A	192,-	15,-	207,-
Pick-up Profile on Type UC for Traverse Type UCT	A	106,-	0,-	106,-
UC 750, painted	A	734,-	278,-	1012,-
Lid, galvanized	A	168,-	16,-	184,-
Castor Set, polyamide, Load capacity 1350 kg / castor set	A	192,-	15,-	207,-
Pick-up Profile on Type UC for Traverse Type UCT	A	106,-	0,-	106,-
UC 750, hot-dip galvanized	A	853,-	278,-	1131,-
Lid, galvanized	A	168,-	16,-	184,-
Castor Set, polyamide, Load capacity 1350 kg / castor set	A	192,-	15,-	207,-
Pick-up Profile on Type UC for Traverse Type UCT	A	106,-	0,-	106,-
UC 1000, painted	A	771,-	278,-	1049,-
Lid, galvanized	A	168,-	16,-	184,-
Castor Set, polyamide, Load capacity 1350 kg / castor set	A	192,-	15,-	207,-
Pick-up Profile on Type UC for Traverse Type UCT	A	106,-	0,-	106,-
UC 1000, hot-dip galvanized	A	894,-	278,-	1172,-
Lid, galvanized	A	168,-	16,-	184,-
Castor Set, polyamide, Load capacity 1350 kg / castor set	A	192,-	15,-	207,-
Pick-up Profile on Type UC for Traverse Type UCT	A	106,-	0,-	106,-

Hydraulic Traverse Type UCT	Category	Price	Freight charges	Price including freight charges
UCT, painted	A	2737,-	407,-	3144,-

Tilting Container Type VD	Category	Price	Freight charges	Price including freight charges
VD 500, painted	A	794,-	278,-	1072,-
Lid, galvanized	A	144,-	18,-	162,-
Castor Set, polyamide, Load capacity 1350 kg / castor set	A	192,-	15,-	207,-
Skip Body Welded Oil and Watertight	A	78,-	0,-	78,-
VD 500, hot-dip galvanized	A	1033,-	278,-	1311,-
Lid, galvanized	A	144,-	18,-	162,-
Castor Set, polyamide, Load capacity 1350 kg / castor set	A	192,-	15,-	207,-
Skip Body Welded Oil and Watertight	A	78,-	0,-	78,-
VD 650, painted	A	868,-	278,-	1146,-
Lid, galvanized	A	144,-	18,-	162,-
Castor Set, polyamide, Load capacity 1350 kg / castor set	A	192,-	15,-	207,-
Skip Body Welded Oil and Watertight	A	78,-	0,-	78,-
VD 650, hot-dip galvanized	A	1130,-	278,-	1408,-

Prices in EUR, valid EXW DE-46354 Südlohn, DE-38820 Halberstadt, unpacked
 Freight charges valid CPT Ireland, islands and oversea territories excluded

Price List 0726 en-IE

Forklift Truck Attachments



Tilting Container Type VD	Category	Price	Freight charges	Price including freight charges
Lid, galvanized	A	144,-	18,-	162,-
Castor Set, polyamide, Load capacity 1350 kg / castor set	A	192,-	15,-	207,-
Skip Body Welded Oil and Watertight	A	78,-	0,-	78,-
VD 800, painted	A	991,-	278,-	1269,-
Lid, galvanized	A	174,-	22,-	196,-
Castor Set, polyamide, Load capacity 1350 kg / castor set	A	192,-	15,-	207,-
Skip Body Welded Oil and Watertight	A	78,-	0,-	78,-
VD 800, hot-dip galvanized	A	1346,-	278,-	1624,-
Lid, galvanized	A	174,-	22,-	196,-
Castor Set, polyamide, Load capacity 1350 kg / castor set	A	192,-	15,-	207,-
Skip Body Welded Oil and Watertight	A	78,-	0,-	78,-
VD 1000, painted	A	1041,-	278,-	1319,-
Lid, galvanized	A	174,-	22,-	196,-
Castor Set, polyamide, Load capacity 1350 kg / castor set	A	192,-	15,-	207,-
Skip Body Welded Oil and Watertight	A	121,-	0,-	121,-
VD 1000, hot-dip galvanized	A	1469,-	278,-	1747,-
Lid, galvanized	A	174,-	22,-	196,-
Castor Set, polyamide, Load capacity 1350 kg / castor set	A	192,-	15,-	207,-
Skip Body Welded Oil and Watertight	A	121,-	0,-	121,-

Tilting Container Type VG	Category	Price	Freight charges	Price including freight charges
VG 550, painted	A	812,-	278,-	1090,-
Lid, galvanized	A	144,-	18,-	162,-
Castor Set, polyamide, Load capacity 1350 kg / castor set	A	192,-	15,-	207,-
Skip Body Welded Oil and Watertight	A	78,-	0,-	78,-
VG 550, hot-dip galvanized	A	1058,-	278,-	1336,-
Lid, galvanized	A	144,-	18,-	162,-
Castor Set, polyamide, Load capacity 1350 kg / castor set	A	192,-	15,-	207,-
Skip Body Welded Oil and Watertight	A	78,-	0,-	78,-
VG 700, painted	A	962,-	278,-	1240,-
Lid, galvanized	A	144,-	18,-	162,-
Castor Set, polyamide, Load capacity 1350 kg / castor set	A	192,-	15,-	207,-
Skip Body Welded Oil and Watertight	A	78,-	0,-	78,-
VG 700, hot-dip galvanized	A	1252,-	278,-	1530,-
Lid, galvanized	A	144,-	18,-	162,-
Castor Set, polyamide, Load capacity 1350 kg / castor set	A	192,-	15,-	207,-
Skip Body Welded Oil and Watertight	A	78,-	0,-	78,-
VG 900, painted	A	1060,-	278,-	1338,-
Lid, galvanized	A	174,-	22,-	196,-
Castor Set, polyamide, Load capacity 1350 kg / castor set	A	192,-	15,-	207,-
Skip Body Welded Oil and Watertight	A	78,-	0,-	78,-
VG 900, hot-dip galvanized	A	1502,-	278,-	1780,-
Lid, galvanized	A	174,-	22,-	196,-
Castor Set, polyamide, Load capacity 1350 kg / castor set	A	192,-	15,-	207,-
Skip Body Welded Oil and Watertight	A	78,-	0,-	78,-
VG 1100, painted	A	1150,-	278,-	1428,-

Prices in EUR, valid EXW DE-46354 Südlohn, DE-38820 Halberstadt, unpacked
Freight charges valid CPT Ireland, islands and oversea territories excluded

Price List 0726 en-IE

Forklift Truck Attachments



Tilting Container Type VG	Category	Price	Freight charges	Price including freight charges
Lid, galvanized	A	174,-	22,-	196,-
Castor Set, polyamide, Load capacity 1350 kg / castor set	A	192,-	15,-	207,-
Skip Body Welded Oil and Watertight	A	121,-	0,-	121,-
VG 1100, hot-dip galvanized	A	1561,-	278,-	1839,-
Lid, galvanized	A	174,-	22,-	196,-
Castor Set, polyamide, Load capacity 1350 kg / castor set	A	192,-	15,-	207,-
Skip Body Welded Oil and Watertight	A	121,-	0,-	121,-

Prices in EUR, valid EXW DE-46354 Südlohn, DE-38820 Halberstadt, unpacked
 Freight charges valid CPT Ireland, islands and oversea territories excluded

Price List 0726 en-IE

Workspace Material Handling

Battery Charging Station Type BL	Category	Price	Freight charges	Price including freight charges
BL 1, painted	A	1422,-	183,-	1605,-
Fire Extinguisher	A	204,-	14,-	218,-
Storage tray for water receptacle	A	64,-	13,-	77,-
BL 2, painted	A	1798,-	183,-	1981,-
Fire Extinguisher	A	204,-	14,-	218,-
Storage tray for water receptacle	A	64,-	13,-	77,-
BL 3, painted	A	1798,-	183,-	1981,-
Fire Extinguisher	A	204,-	14,-	218,-
Storage tray for water receptacle	A	64,-	13,-	77,-
Drum Jack Roller Type FHR	Category	Price	Freight charges	Price including freight charges
FHR 600 F, painted	B	3286,-	407,-	3693,-
FHR 600 F, hot-dip galvanized	B	3641,-	407,-	4048,-
FHR 600 G, painted	B	2617,-	278,-	2895,-
FHR 600 G, hot-dip galvanized	B	2888,-	278,-	3166,-
FHR 600 K, painted	B	2617,-	278,-	2895,-
FHR 600 K, hot-dip galvanized	B	2888,-	278,-	3166,-
Drum Trolley Type FP-L	Category	Price	Freight charges	Price including freight charges
FP-L, galvanized	C	624,-	183,-	807,-
Drum Trolley Type FP-V	Category	Price	Freight charges	Price including freight charges
FP-V, galvanized	C	605,-	183,-	788,-
Drum Dolly Type FRW	Category	Price	Freight charges	Price including freight charges
FRW-I, hot-dip galvanized	A	116,-	60,-	176,-
FRW-II, hot-dip galvanized	A	154,-	60,-	214,-
FRW-III, hot-dip galvanized	A	207,-	183,-	390,-
Dolly Type GRW	Category	Price	Freight charges	Price including freight charges
GRW-I, hot-dip galvanized	F	126,-	60,-	186,-
Handle, hot-dip galvanized	F	55,-	10,-	65,-
GRW-II, hot-dip galvanized	F	143,-	60,-	203,-
Handle, hot-dip galvanized	F	55,-	10,-	65,-
GRW-III, hot-dip galvanized	F	179,-	183,-	362,-
Handle, hot-dip galvanized	F	55,-	10,-	65,-
Gas Cylinder Wall Bracket Type GWH	Category	Price	Freight charges	Price including freight charges
GWH 140-I, hot-dip galvanized	F	26,-	60,-	86,-
GWH 140-II, hot-dip galvanized	F	40,-	60,-	100,-

Prices in EUR, valid EXW DE-46354 Südlohn, DE-38820 Halberstadt, unpacked
Freight charges valid CPT Ireland, islands and oversea territories excluded

Price List 0726 en-IE

Workspace Material Handling



Gas Cylinder Wall Bracket Type GWH	Category	Price	Freight charges	Price including freight charges
GWH 140-III, hot-dip galvanized	F	59,-	60,-	119,-
GWH 230-I, hot-dip galvanized	F	28,-	60,-	88,-
GWH 230-II, hot-dip galvanized	F	43,-	60,-	103,-
GWH 230-III, hot-dip galvanized	F	65,-	60,-	125,-
GWH 320-I, hot-dip galvanized	F	29,-	60,-	89,-
GWH 320-II, hot-dip galvanized	F	48,-	60,-	108,-
GWH 320-III, hot-dip galvanized	F	72,-	60,-	132,-

Fork Lifter Type GZH-A	Category	Price	Freight charges	Price including freight charges
GZH-A, painted	F	114,-	60,-	174,-

Fork Lifter Type GZH-B	Category	Price	Freight charges	Price including freight charges
GZH-B, painted	F	114,-	60,-	174,-

Fork Pallet Type GZP	Category	Price	Freight charges	Price including freight charges
GZP 4, hot-dip galvanized	A	161,-	183,-	344,-
GZP 8, hot-dip galvanized	A	201,-	183,-	384,-

IBC Residue Drainer Type IR	Category	Price	Freight charges	Price including freight charges
IR-1, hot-dip galvanized	A	596,-	183,-	779,-
IR-2, hot-dip galvanized	A	711,-	183,-	894,-
IR-3, hot-dip galvanized	A	596,-	183,-	779,-

Tilting Canister Stand Type KAH	Category	Price	Freight charges	Price including freight charges
KAH-5, galvanized	A	96,-	60,-	156,-
KAH-25, galvanized	A	109,-	60,-	169,-
KAH-60, galvanized	A	140,-	60,-	200,-

Sheet Metal Storage Units With Trays Type KBR	Category	Price	Freight charges	Price including freight charges
KBR 1, painted	A	5985,-	971,-	6956,-
KBR 2, painted	A	6207,-	on request	on request
KBR 3, painted	A	6667,-	on request	on request

Liftomat Type L/E	Category	Price	Freight charges	Price including freight charges
L/E 1300, painted	B	4908,-	407,-	5315,-
L/E 1300, hot-dip galvanized	B	5578,-	407,-	5985,-

Liftomat Type L/M	Category	Price	Freight charges	Price including freight charges
L/M 600, painted	B	3553,-	278,-	3831,-
L/M 600, hot-dip galvanized	B	4025,-	278,-	4303,-
L/M 1300, painted	B	3986,-	407,-	4393,-
L/M 1300, hot-dip galvanized	B	4569,-	407,-	4976,-

Prices in EUR, valid EXW DE-46354 Südlohn, DE-38820 Halberstadt, unpacked
Freight charges valid CPT Ireland, islands and oversea territories excluded

Price List 0726 en-IE

Workspace Material Handling



Security Cage for Storage Type LBM	Category	Price	Freight charges	Price including freight charges
LBM 1500, hot-dip galvanized	A	2002,-	407,-	2409,-
LBM 3000, hot-dip galvanized	A	2747,-	641,-	3388,-
LBM 4500, hot-dip galvanized	A	3492,-	641,-	4133,-
LBM 6000, hot-dip galvanized	A	4232,-	800,-	5032,-
Wheelie Bin Tipping Station Type MKS	Category	Price	Freight charges	Price including freight charges
MKS-12V, painted	A	3745,-	278,-	4023,-
External Charger for 12 V electro-hydraulic constructions	A	201,-	15,-	216,-
MKS-230V, painted	A	3745,-	278,-	4023,-
Wheelie Bin Tipping Station Type MKS-F	Category	Price	Freight charges	Price including freight charges
MKS-F, painted	A	2459,-	278,-	2737,-
Wheelie Bin Tipping Station Type MKS-H	Category	Price	Freight charges	Price including freight charges
MKS-H, painted	A	2459,-	278,-	2737,-
Stillage Transport Cage Type MTP	Category	Price	Freight charges	Price including freight charges
MTP 2000, hot-dip galvanized	A	2196,-	407,-	2603,-
Tension belt	A	48,-	8,-	56,-
MTP 3000, hot-dip galvanized	A	2774,-	496,-	3270,-
Tension belt	A	48,-	8,-	56,-
Two-Wheeled Pallet Picker Type PZ	Category	Price	Freight charges	Price including freight charges
PZ, hot-dip galvanized	F	456,-	60,-	516,-
Tyre Fitting Equipment Type RM	Category	Price	Freight charges	Price including freight charges
RM, painted	F	458,-	60,-	518,-
Surround for Waste Bins Type SECOMAT	Category	Price	Freight charges	Price including freight charges
S 120-D, powder coated	B	682,-	183,-	865,-
S 120-K, powder coated	B	764,-	183,-	947,-
S 240-D, powder coated	B	782,-	183,-	965,-
S 240-K, powder coated	B	856,-	183,-	1039,-
S1100, powder-coated	B	791,-	183,-	974,-
S1100-W, powder-coated	B	1040,-	278,-	1318,-
S1100-WT, powder-coated	B	1305,-	278,-	1583,-
S1100-WTB, powder-coated	B	1408,-	278,-	1686,-
S4USE, powder coated	C	2656,-	407,-	3063,-
Gas Cylinder Pallet Type SFP	Category	Price	Freight charges	Price including freight charges
SFP 4, hot-dip galvanized	C	346,-	183,-	529,-
SFP 8, hot-dip galvanized	C	460,-	278,-	738,-

Prices in EUR, valid EXW DE-46354 Südlohn, DE-38820 Halberstadt, unpacked
Freight charges valid CPT Ireland, islands and oversea territories excluded

Price List 0726 en-IE

Workspace Material Handling



Loading Support Type VS	Category	Price	Freight charges	Price including freight charges
VS, painted	C	765,-	278,-	1043,-

Prices in EUR, valid EXW DE-46354 Südlohn, DE-38820 Halberstadt, unpacked
Freight charges valid CPT Ireland, islands and oversea territories excluded

Price List 0726 en-IE Environment / Storage

Sump Trays Type SERIES 2000	Category	Price	Freight charges	Price including freight charges
2000, painted	B	250,-	183,-	433,-
2000, hot-dip galvanized	B	288,-	183,-	471,-
2002, painted	B	285,-	183,-	468,-
2002, hot-dip galvanized	B	322,-	183,-	505,-
2008, painted	B	250,-	183,-	433,-
2008, hot-dip galvanized	B	300,-	183,-	483,-
2010, painted	B	301,-	183,-	484,-
Drum Support FA 60-1, hot-dip galvanized	B	109,-	15,-	124,-
Drum Support FA 60-2, hot-dip galvanized	B	118,-	18,-	136,-
Drum Support FA 60-3, hot-dip galvanized	B	138,-	21,-	159,-
Drum Support FA 200-1, hot-dip galvanized	B	118,-	15,-	133,-
Can Shelf Type GR-A, galvanized	B	138,-	60,-	198,-
Can Shelf Type GR-B, galvanized	B	138,-	60,-	198,-
Can Shelf Type GR-C, galvanized	B	138,-	60,-	198,-
2010, hot-dip galvanized	B	351,-	183,-	534,-
Drum Support FA 60-1, hot-dip galvanized	B	109,-	15,-	124,-
Drum Support FA 60-2, hot-dip galvanized	B	118,-	18,-	136,-
Drum Support FA 60-3, hot-dip galvanized	B	138,-	21,-	159,-
Drum Support FA 200-1, hot-dip galvanized	B	118,-	15,-	133,-
Can Shelf Type GR-A, galvanized	B	138,-	60,-	198,-
Can Shelf Type GR-B, galvanized	B	138,-	60,-	198,-
Can Shelf Type GR-C, galvanized	B	138,-	60,-	198,-
2016, painted	B	262,-	183,-	445,-
2016, hot-dip galvanized	B	314,-	183,-	497,-
2018, painted	B	315,-	183,-	498,-
Drum Support FA 60-1, hot-dip galvanized	B	109,-	15,-	124,-
Drum Support FA 60-2, hot-dip galvanized	B	118,-	18,-	136,-
Drum Support FA 60-3, hot-dip galvanized	B	138,-	21,-	159,-
Drum Support FA 200-1, hot-dip galvanized	B	118,-	15,-	133,-
Can Shelf Type GR-A, galvanized	B	138,-	60,-	198,-
Can Shelf Type GR-B, galvanized	B	138,-	60,-	198,-
Can Shelf Type GR-C, galvanized	B	138,-	60,-	198,-
2018, hot-dip galvanized	B	365,-	183,-	548,-
Drum Support FA 60-1, hot-dip galvanized	B	109,-	15,-	124,-
Drum Support FA 60-2, hot-dip galvanized	B	118,-	18,-	136,-
Drum Support FA 60-3, hot-dip galvanized	B	138,-	21,-	159,-
Drum Support FA 200-1, hot-dip galvanized	B	118,-	15,-	133,-
Can Shelf Type GR-A, galvanized	B	138,-	60,-	198,-
Can Shelf Type GR-B, galvanized	B	138,-	60,-	198,-
Can Shelf Type GR-C, galvanized	B	138,-	60,-	198,-
2026, painted	B	262,-	183,-	445,-
2026, hot-dip galvanized	B	310,-	183,-	493,-

Prices in EUR, valid EXW DE-46354 Südlohn, DE-38820 Halberstadt, unpacked
Freight charges valid CPT Ireland, islands and oversea territories excluded

Price List 0726 en-IE

Environment / Storage



Sump Trays Type SERIES 2000	Category	Price	Freight charges	Price including freight charges
2028, painted	B	366,-	183,-	549,-
Drum Support FA 60-1, hot-dip galvanized	B	109,-	15,-	124,-
Drum Support FA 60-2, hot-dip galvanized	B	118,-	18,-	136,-
Drum Support FA 60-3, hot-dip galvanized	B	138,-	21,-	159,-
Drum Support FA 200-1, hot-dip galvanized	B	118,-	15,-	133,-
Drum Support FA 200-2, hot-dip galvanized	B	138,-	22,-	160,-
Can Shelf Type GR-A, galvanized	B	138,-	60,-	198,-
Can Shelf Type GR-B, galvanized	B	138,-	60,-	198,-
Can Shelf Type GR-C, galvanized	B	138,-	60,-	198,-
2028, hot-dip galvanized	B	412,-	183,-	595,-
Drum Support FA 60-1, hot-dip galvanized	B	109,-	15,-	124,-
Drum Support FA 60-2, hot-dip galvanized	B	118,-	18,-	136,-
Drum Support FA 60-3, hot-dip galvanized	B	138,-	21,-	159,-
Drum Support FA 200-1, hot-dip galvanized	B	118,-	15,-	133,-
Drum Support FA 200-2, hot-dip galvanized	B	138,-	22,-	160,-
Can Shelf Type GR-A, galvanized	B	138,-	60,-	198,-
Can Shelf Type GR-B, galvanized	B	138,-	60,-	198,-
Can Shelf Type GR-C, galvanized	B	138,-	60,-	198,-
2030, painted	B	275,-	183,-	458,-
2030, hot-dip galvanized	B	321,-	183,-	504,-
2032, painted	B	378,-	183,-	561,-
Drum Support FA 60-1, hot-dip galvanized	B	109,-	15,-	124,-
Drum Support FA 60-2, hot-dip galvanized	B	118,-	18,-	136,-
Drum Support FA 60-3, hot-dip galvanized	B	138,-	21,-	159,-
Drum Support FA 200-1, hot-dip galvanized	B	118,-	15,-	133,-
Drum Support FA 200-2, hot-dip galvanized	B	138,-	22,-	160,-
Can Shelf Type GR-A, galvanized	B	138,-	60,-	198,-
Can Shelf Type GR-B, galvanized	B	138,-	60,-	198,-
Can Shelf Type GR-C, galvanized	B	138,-	60,-	198,-
2032, hot-dip galvanized	B	426,-	183,-	609,-
Drum Support FA 60-1, hot-dip galvanized	B	109,-	15,-	124,-
Drum Support FA 60-2, hot-dip galvanized	B	118,-	18,-	136,-
Drum Support FA 60-3, hot-dip galvanized	B	138,-	21,-	159,-
Drum Support FA 200-1, hot-dip galvanized	B	118,-	15,-	133,-
Drum Support FA 200-2, hot-dip galvanized	B	138,-	22,-	160,-
Can Shelf Type GR-A, galvanized	B	138,-	60,-	198,-
Can Shelf Type GR-B, galvanized	B	138,-	60,-	198,-
Can Shelf Type GR-C, galvanized	B	138,-	60,-	198,-
2040, painted	B	351,-	183,-	534,-
2040, hot-dip galvanized	B	426,-	183,-	609,-
2042, painted	B	455,-	278,-	733,-
Drum Support FA 60-1, hot-dip galvanized	B	109,-	15,-	124,-
Drum Support FA 60-2, hot-dip galvanized	B	118,-	18,-	136,-
Drum Support FA 60-3, hot-dip galvanized	B	138,-	21,-	159,-
Can Shelf Type GR-A, galvanized	B	138,-	60,-	198,-
Can Shelf Type GR-B, galvanized	B	138,-	60,-	198,-

Prices in EUR, valid EXW DE-46354 Südlohn, DE-38820 Halberstadt, unpacked
Freight charges valid CPT Ireland, islands and oversea territories excluded

Price List 0726 en-IE

Environment / Storage



Sump Trays Type SERIES 2000	Category	Price	Freight charges	Price including freight charges
Can Shelf Type GR-C, galvanized	B	138,-	60,-	198,-
2042, hot-dip galvanized	B	529,-	278,-	807,-
Drum Support FA 60-1, hot-dip galvanized	B	109,-	15,-	124,-
Drum Support FA 60-2, hot-dip galvanized	B	118,-	18,-	136,-
Drum Support FA 60-3, hot-dip galvanized	B	138,-	21,-	159,-
Can Shelf Type GR-A, galvanized	B	138,-	60,-	198,-
Can Shelf Type GR-B, galvanized	B	138,-	60,-	198,-
Can Shelf Type GR-C, galvanized	B	138,-	60,-	198,-
2048, painted	B	271,-	183,-	454,-
2048, hot-dip galvanized	B	316,-	183,-	499,-
2050, painted	B	369,-	183,-	552,-
Drum Support FA 60-1, hot-dip galvanized	B	109,-	15,-	124,-
Drum Support FA 60-2, hot-dip galvanized	B	118,-	18,-	136,-
Drum Support FA 60-3, hot-dip galvanized	B	138,-	21,-	159,-
Can Shelf Type GR-A, galvanized	B	138,-	60,-	198,-
Can Shelf Type GR-B, galvanized	B	138,-	60,-	198,-
Can Shelf Type GR-C, galvanized	B	138,-	60,-	198,-
2050, hot-dip galvanized	B	414,-	183,-	597,-
Drum Support FA 60-1, hot-dip galvanized	B	109,-	15,-	124,-
Drum Support FA 60-2, hot-dip galvanized	B	118,-	18,-	136,-
Drum Support FA 60-3, hot-dip galvanized	B	138,-	21,-	159,-
Can Shelf Type GR-A, galvanized	B	138,-	60,-	198,-
Can Shelf Type GR-B, galvanized	B	138,-	60,-	198,-
Can Shelf Type GR-C, galvanized	B	138,-	60,-	198,-
Sump Trays Type SERIES 2000/SW	Category	Price	Freight charges	Price including freight charges
2002/SW, painted	B	427,-	183,-	610,-
2002/SW, hot-dip galvanized	B	464,-	183,-	647,-
2018/SW, painted	B	468,-	278,-	746,-
Drum Support FA 60-1, hot-dip galvanized	B	109,-	15,-	124,-
Drum Support FA 60-2, hot-dip galvanized	B	118,-	18,-	136,-
Drum Support FA 60-3, hot-dip galvanized	B	138,-	21,-	159,-
Drum Support FA 200-1, hot-dip galvanized	B	118,-	15,-	133,-
Can Shelf Type GR-A, galvanized	B	138,-	60,-	198,-
Can Shelf Type GR-B, galvanized	B	138,-	60,-	198,-
Can Shelf Type GR-C, galvanized	B	138,-	60,-	198,-
2018/SW, hot-dip galvanized	B	517,-	278,-	795,-
Drum Support FA 60-1, hot-dip galvanized	B	109,-	15,-	124,-
Drum Support FA 60-2, hot-dip galvanized	B	118,-	18,-	136,-
Drum Support FA 60-3, hot-dip galvanized	B	138,-	21,-	159,-
Drum Support FA 200-1, hot-dip galvanized	B	118,-	15,-	133,-
Can Shelf Type GR-A, galvanized	B	138,-	60,-	198,-
Can Shelf Type GR-B, galvanized	B	138,-	60,-	198,-
Can Shelf Type GR-C, galvanized	B	138,-	60,-	198,-
2032/SW, painted	B	552,-	278,-	830,-
Drum Support FA 60-1, hot-dip galvanized	B	109,-	15,-	124,-

Prices in EUR, valid EXW DE-46354 Südlohn, DE-38820 Halberstadt, unpacked
Freight charges valid CPT Ireland, islands and oversea territories excluded

Price List 0726 en-IE

Environment / Storage



Sump Trays Type SERIES 2000/SW	Category	Price	Freight charges	Price including freight charges
Drum Support FA 60-2, hot-dip galvanized	B	118,-	18,-	136,-
Drum Support FA 60-3, hot-dip galvanized	B	138,-	21,-	159,-
Drum Support FA 200-1, hot-dip galvanized	B	118,-	15,-	133,-
Drum Support FA 200-2, hot-dip galvanized	B	138,-	22,-	160,-
Can Shelf Type GR-A, galvanized	B	138,-	60,-	198,-
Can Shelf Type GR-B, galvanized	B	138,-	60,-	198,-
Can Shelf Type GR-C, galvanized	B	138,-	60,-	198,-
2032/SW, hot-dip galvanized	B	600,-	278,-	878,-
Drum Support FA 60-1, hot-dip galvanized	B	109,-	15,-	124,-
Drum Support FA 60-2, hot-dip galvanized	B	118,-	18,-	136,-
Drum Support FA 60-3, hot-dip galvanized	B	138,-	21,-	159,-
Drum Support FA 200-1, hot-dip galvanized	B	118,-	15,-	133,-
Drum Support FA 200-2, hot-dip galvanized	B	138,-	22,-	160,-
Can Shelf Type GR-A, galvanized	B	138,-	60,-	198,-
Can Shelf Type GR-B, galvanized	B	138,-	60,-	198,-
Can Shelf Type GR-C, galvanized	B	138,-	60,-	198,-
2042/SW, painted	B	685,-	331,-	1016,-
Drum Support FA 60-1, hot-dip galvanized	B	109,-	15,-	124,-
Drum Support FA 60-2, hot-dip galvanized	B	118,-	18,-	136,-
Drum Support FA 60-3, hot-dip galvanized	B	138,-	21,-	159,-
Can Shelf Type GR-A, galvanized	B	138,-	60,-	198,-
Can Shelf Type GR-B, galvanized	B	138,-	60,-	198,-
Can Shelf Type GR-C, galvanized	B	138,-	60,-	198,-
2042/SW, hot-dip galvanized	B	760,-	331,-	1091,-
Drum Support FA 60-1, hot-dip galvanized	B	109,-	15,-	124,-
Drum Support FA 60-2, hot-dip galvanized	B	118,-	18,-	136,-
Drum Support FA 60-3, hot-dip galvanized	B	138,-	21,-	159,-
Can Shelf Type GR-A, galvanized	B	138,-	60,-	198,-
Can Shelf Type GR-B, galvanized	B	138,-	60,-	198,-
Can Shelf Type GR-C, galvanized	B	138,-	60,-	198,-
Mobile Sump Trays Type SERIES 2000	Category	Price	Freight charges	Price including freight charges
2004, painted	B	590,-	183,-	773,-
Fixture and Tension Belt for 1 x 200 Litre Drum	B	48,-	9,-	57,-
2004, hot-dip galvanized	B	657,-	183,-	840,-
Fixture and Tension Belt for 1 x 200 Litre Drum	B	48,-	9,-	57,-
2020, painted	B	656,-	183,-	839,-
Fixture and Tension Belt for 2 x 200 Litre Drums	B	48,-	9,-	57,-
2020, hot-dip galvanized	B	717,-	183,-	900,-
Fixture and Tension Belt for 2 x 200 Litre Drums	B	48,-	9,-	57,-
2050 SR, painted	B	709,-	183,-	892,-
Fixture and Tension Belt for 3 x 200 Litre Drums	B	48,-	9,-	57,-
2050 SR, hot-dip galvanized	B	766,-	278,-	1044,-
Fixture and Tension Belt for 3 x 200 Litre Drums	B	48,-	9,-	57,-

Prices in EUR, valid EXW DE-46354 Südlohn, DE-38820 Halberstadt, unpacked
Freight charges valid CPT Ireland, islands and oversea territories excluded

Price List 0726 en-IE

Environment / Storage



Drum Shelves with Sump Trays Type SERIES 3000	Category	Price	Freight charges	Price including freight charges
3000, hot-dip galvanized	B	1091,-	278,-	1369,-
Retainer Bar	B	48,-	12,-	60,-
Rotating Support RA 200, hot-dip galvanized	B	97,-	10,-	107,-
Can Stand Type GS, hot-dip galvanized	B	65,-	18,-	83,-
Crash Guard	B	75,-	9,-	84,-
3001, hot-dip galvanized	B	919,-	278,-	1197,-
Retainer Bar	B	48,-	12,-	60,-
Rotating Support RA 200, hot-dip galvanized	B	97,-	10,-	107,-
Can Stand Type GS, hot-dip galvanized	B	65,-	18,-	83,-
Crash Guard	B	75,-	9,-	84,-
3002, hot-dip galvanized	B	1299,-	331,-	1630,-
Retainer Bar	B	48,-	12,-	60,-
Rotating Support RA 200, hot-dip galvanized	B	97,-	10,-	107,-
Can Stand Type GS, hot-dip galvanized	B	65,-	18,-	83,-
Crash Guard	B	75,-	9,-	84,-
3003, hot-dip galvanized	B	1101,-	331,-	1432,-
Retainer Bar	B	48,-	12,-	60,-
Rotating Support RA 200, hot-dip galvanized	B	97,-	10,-	107,-
Can Stand Type GS, hot-dip galvanized	B	65,-	18,-	83,-
Crash Guard	B	75,-	9,-	84,-
3004, hot-dip galvanized	B	1344,-	278,-	1622,-
Retainer Bar	B	48,-	12,-	60,-
Rotating Support RA 60, hot-dip galvanized	B	97,-	9,-	106,-
Can Stand Type GS, hot-dip galvanized	B	65,-	18,-	83,-
Crash Guard	B	75,-	9,-	84,-
3005, hot-dip galvanized	B	1216,-	278,-	1494,-
Retainer Bar	B	48,-	12,-	60,-
Rotating Support RA 60, hot-dip galvanized	B	97,-	9,-	106,-
Can Stand Type GS, hot-dip galvanized	B	65,-	18,-	83,-
Crash Guard	B	75,-	9,-	84,-
3006, hot-dip galvanized	B	1697,-	459,-	2156,-
Retainer Bar	B	48,-	12,-	60,-
Rotating Support RA 60, hot-dip galvanized	B	97,-	9,-	106,-
Can Stand Type GS, hot-dip galvanized	B	65,-	18,-	83,-
Crash Guard	B	75,-	9,-	84,-
3007, hot-dip galvanized	B	1449,-	331,-	1780,-
Retainer Bar	B	48,-	12,-	60,-
Rotating Support RA 60, hot-dip galvanized	B	97,-	9,-	106,-
Can Stand Type GS, hot-dip galvanized	B	65,-	18,-	83,-
Crash Guard	B	75,-	9,-	84,-
3010, hot-dip galvanized	B	1288,-	331,-	1619,-
Retainer Bar	B	48,-	12,-	60,-
Rotating Support RA 200, hot-dip galvanized	B	97,-	10,-	107,-
Can Stand Type GS, hot-dip galvanized	B	65,-	18,-	83,-
Crash Guard	B	75,-	9,-	84,-
3011, hot-dip galvanized	B	1071,-	331,-	1402,-

Prices in EUR, valid EXW DE-46354 Südlohn, DE-38820 Halberstadt, unpacked
Freight charges valid CPT Ireland, islands and oversea territories excluded

Price List 0726 en-IE

Environment / Storage



Drum Shelves with Sump Trays Type SERIES 3000	Category	Price	Freight charges	Price including freight charges
Retainer Bar	B	48,-	12,-	60,-
Rotating Support RA 200, hot-dip galvanized	B	97,-	10,-	107,-
Can Stand Type GS, hot-dip galvanized	B	65,-	18,-	83,-
Crash Guard	B	75,-	9,-	84,-

Small Can Shelves with Sumps Type SERIES 3000	Category	Price	Freight charges	Price including freight charges
3017-4E, galvanized	B	478,-	183,-	661,-
3018-4E, galvanized	B	397,-	183,-	580,-
3019-4E, galvanized	B	576,-	278,-	854,-
3020-4E, galvanized	B	493,-	278,-	771,-
3021-4E, galvanized	B	719,-	278,-	997,-
3022-4E, galvanized	B	626,-	183,-	809,-
3023-4E, galvanized	B	1162,-	331,-	1493,-
3024-4E, galvanized	B	968,-	331,-	1299,-

Shelves Type AG	Category	Price	Freight charges	Price including freight charges
AG 60-1, hot-dip galvanized	B	112,-	12,-	124,-
AG 60-2, hot-dip galvanized	B	117,-	14,-	131,-
AG 60-3, hot-dip galvanized	B	126,-	15,-	141,-

Sump Tray Type AM	Category	Price	Freight charges	Price including freight charges
AM-1, painted	B	335,-	183,-	518,-
AM-1, hot-dip galvanized	B	379,-	183,-	562,-
AM-2, painted	B	370,-	183,-	553,-
Drum Support FA 60-1, hot-dip galvanized	B	109,-	15,-	124,-
Drum Support FA 60-2, hot-dip galvanized	B	118,-	18,-	136,-
Drum Support FA 60-3, hot-dip galvanized	B	138,-	21,-	159,-
Drum Support FA 200-1, hot-dip galvanized	B	118,-	15,-	133,-
Can Shelf Type GR-A, galvanized	B	138,-	60,-	198,-
Can Shelf Type GR-B, galvanized	B	138,-	60,-	198,-
Can Shelf Type GR-C, galvanized	B	138,-	60,-	198,-
AM-2, hot-dip galvanized	B	427,-	183,-	610,-
Drum Support FA 60-1, hot-dip galvanized	B	109,-	15,-	124,-
Drum Support FA 60-2, hot-dip galvanized	B	118,-	18,-	136,-
Drum Support FA 60-3, hot-dip galvanized	B	138,-	21,-	159,-
Drum Support FA 200-1, hot-dip galvanized	B	118,-	15,-	133,-
Can Shelf Type GR-A, galvanized	B	138,-	60,-	198,-
Can Shelf Type GR-B, galvanized	B	138,-	60,-	198,-
Can Shelf Type GR-C, galvanized	B	138,-	60,-	198,-
AM-4/A, painted	B	443,-	183,-	626,-
Drum Support FA 60-1, hot-dip galvanized	B	109,-	15,-	124,-
Drum Support FA 60-2, hot-dip galvanized	B	118,-	18,-	136,-
Drum Support FA 60-3, hot-dip galvanized	B	138,-	21,-	159,-
Drum Support FA 200-1, hot-dip galvanized	B	118,-	15,-	133,-
Drum Support FA 200-2, hot-dip galvanized	B	138,-	22,-	160,-

Prices in EUR, valid EXW DE-46354 Südlohn, DE-38820 Halberstadt, unpacked
Freight charges valid CPT Ireland, islands and oversea territories excluded

Price List 0726 en-IE

Environment / Storage



Sump Tray Type AM	Category	Price	Freight charges	Price including freight charges
Can Shelf Type GR-A, galvanized	B	138,-	60,-	198,-
Can Shelf Type GR-B, galvanized	B	138,-	60,-	198,-
Can Shelf Type GR-C, galvanized	B	138,-	60,-	198,-
AM-4/A, hot-dip galvanized	B	499,-	278,-	777,-
Drum Support FA 60-1, hot-dip galvanized	B	109,-	15,-	124,-
Drum Support FA 60-2, hot-dip galvanized	B	118,-	18,-	136,-
Drum Support FA 60-3, hot-dip galvanized	B	138,-	21,-	159,-
Drum Support FA 200-1, hot-dip galvanized	B	118,-	15,-	133,-
Drum Support FA 200-2, hot-dip galvanized	B	138,-	22,-	160,-
Can Shelf Type GR-A, galvanized	B	138,-	60,-	198,-
Can Shelf Type GR-B, galvanized	B	138,-	60,-	198,-
Can Shelf Type GR-C, galvanized	B	138,-	60,-	198,-
AM-4/B, painted	B	532,-	278,-	810,-
Drum Support FA 60-1, hot-dip galvanized	B	109,-	15,-	124,-
Drum Support FA 60-2, hot-dip galvanized	B	118,-	18,-	136,-
Drum Support FA 60-3, hot-dip galvanized	B	138,-	21,-	159,-
Can Shelf Type GR-A, galvanized	B	138,-	60,-	198,-
Can Shelf Type GR-B, galvanized	B	138,-	60,-	198,-
Can Shelf Type GR-C, galvanized	B	138,-	60,-	198,-
AM-4/B, hot-dip galvanized	B	624,-	278,-	902,-
Drum Support FA 60-1, hot-dip galvanized	B	109,-	15,-	124,-
Drum Support FA 60-2, hot-dip galvanized	B	118,-	18,-	136,-
Drum Support FA 60-3, hot-dip galvanized	B	138,-	21,-	159,-
Can Shelf Type GR-A, galvanized	B	138,-	60,-	198,-
Can Shelf Type GR-B, galvanized	B	138,-	60,-	198,-
Can Shelf Type GR-C, galvanized	B	138,-	60,-	198,-
Sump Tray Type AO	Category	Price	Freight charges	Price including freight charges
AO-1, painted	B	292,-	183,-	475,-
AO-1, hot-dip galvanized	B	337,-	183,-	520,-
AO-2, painted	B	310,-	183,-	493,-
AO-2, hot-dip galvanized	B	367,-	183,-	550,-
AO-4/A, painted	B	322,-	183,-	505,-
AO-4/A, hot-dip galvanized	B	378,-	183,-	561,-
AO-4/B, painted	B	412,-	183,-	595,-
AO-4/B, hot-dip galvanized	B	500,-	183,-	683,-
Sump Tray Type AW	Category	Price	Freight charges	Price including freight charges
AW 450, painted	B	641,-	278,-	919,-
AW 450, hot-dip galvanized	B	795,-	278,-	1073,-
AW 800, painted	B	667,-	278,-	945,-
AW 800, hot-dip galvanized	B	831,-	278,-	1109,-
AW 1000, painted	B	672,-	278,-	950,-
AW 1000, hot-dip galvanized	B	838,-	278,-	1116,-
AW 1000-2, painted	B	861,-	459,-	1320,-

Prices in EUR, valid EXW DE-46354 Südlohn, DE-38820 Halberstadt, unpacked
Freight charges valid CPT Ireland, islands and oversea territories excluded

Price List 0726 en-IE

Environment / Storage



Sump Tray Type AW	Category	Price	Freight charges	Price including freight charges
AW 1000-2, hot-dip galvanized	B	966,-	459,-	1425,-
AW 1000-3, painted	B	1524,-	459,-	1983,-
AW 1000-3, hot-dip galvanized	B	1641,-	549,-	2190,-
AW 1000-10F, painted	B	1032,-	459,-	1491,-
AW 1000-10F, hot-dip galvanized	B	1195,-	459,-	1654,-

Sump Tray Type AW/SW	Category	Price	Freight charges	Price including freight charges
AW 450/SW, painted	B	844,-	278,-	1122,-
AW 450/SW, hot-dip galvanized	B	998,-	407,-	1405,-
AW 800/SW, painted	B	869,-	407,-	1276,-
AW 800/SW, hot-dip galvanized	B	1032,-	407,-	1439,-
AW 1000/SW, painted	B	874,-	407,-	1281,-
AW 1000/SW, hot-dip galvanized	B	1042,-	407,-	1449,-
AW 1000-2/SW, painted	B	1091,-	459,-	1550,-
AW 1000-2/SW, hot-dip galvanized	B	1196,-	549,-	1745,-
AW 1000-3/SW, painted	B	1787,-	on request	on request
AW 1000-3/SW, hot-dip galvanized	B	2121,-	on request	on request
AW 1000-10F/SW, painted	B	1387,-	549,-	1936,-
AW 1000-10F/SW, hot-dip galvanized	B	1548,-	549,-	2097,-

Mobile Sump Tray AW 60-1 SR	Category	Price	Freight charges	Price including freight charges
AW 60-1 SR, painted	B	325,-	183,-	508,-
Fixture and Tension belt for 2 x 60 Litre Drums	B	45,-	8,-	53,-
AW 60-1 SR, hot-dip galvanized	B	345,-	183,-	528,-
Fixture and Tension belt for 2 x 60 Litre Drums	B	45,-	8,-	53,-

Mobile Sump Tray AW 60-1 SRF	Category	Price	Freight charges	Price including freight charges
AW 60-1 SRF, painted	B	429,-	183,-	612,-
AW 60-1 SRF, hot-dip galvanized	B	451,-	183,-	634,-

Sump Tray Type AW 60	Category	Price	Freight charges	Price including freight charges
AW 60-1, painted	B	176,-	60,-	236,-
Grid GR 60-1, hot-dip galvanized	B	23,-	8,-	31,-
Drum Support FA 60-A, galvanized	B	25,-	8,-	33,-
Rotating Support RA 60-A, hot-dip galvanized	B	97,-	9,-	106,-
AG 60-1, hot-dip galvanized	B	112,-	12,-	124,-
Canister Stand AB, galvanized	B	19,-	8,-	27,-
Castor Set, polyamide, Load capacity 375 kg / castor set	B	86,-	15,-	101,-
AW 60-1, hot-dip galvanized	B	189,-	60,-	249,-
Grid GR 60-1, hot-dip galvanized	B	23,-	8,-	31,-
Drum Support FA 60-A, galvanized	B	25,-	8,-	33,-
Rotating Support RA 60-A, hot-dip galvanized	B	97,-	9,-	106,-
AG 60-1, hot-dip galvanized	B	112,-	12,-	124,-
Canister Stand AB, galvanized	B	19,-	8,-	27,-
Castor Set, polyamide, Load capacity 375 kg / castor set	B	86,-	15,-	101,-

Prices in EUR, valid EXW DE-46354 Südlohn, DE-38820 Halberstadt, unpacked
 Freight charges valid CPT Ireland, islands and oversea territories excluded

Price List 0726 en-IE

Environment / Storage



Sump Tray Type AW 60	Category	Price	Freight charges	Price including freight charges
AW 60-2, painted	B	177,-	183,-	360,-
Grid GR 60-2, hot-dip galvanized	B	27,-	12,-	39,-
Drum Support FA 60-A, galvanized	B	25,-	8,-	33,-
Rotating Support RA 60-A, hot-dip galvanized	B	97,-	9,-	106,-
AG 60-2, hot-dip galvanized	B	117,-	14,-	131,-
Canister Stand AB, galvanized	B	19,-	8,-	27,-
Castor Set, polyamide, Load capacity 375 kg / castor set	B	86,-	15,-	101,-
AW 60-2, hot-dip galvanized	B	195,-	183,-	378,-
Grid GR 60-2, hot-dip galvanized	B	27,-	12,-	39,-
Drum Support FA 60-A, galvanized	B	25,-	8,-	33,-
Rotating Support RA 60-A, hot-dip galvanized	B	97,-	9,-	106,-
AG 60-2, hot-dip galvanized	B	117,-	14,-	131,-
Canister Stand AB, galvanized	B	19,-	8,-	27,-
Castor Set, polyamide, Load capacity 375 kg / castor set	B	86,-	15,-	101,-
AW 60-3, painted	B	193,-	183,-	376,-
Grid GR 60-3, hot-dip galvanized	B	40,-	14,-	54,-
Drum Support FA 60-A, galvanized	B	25,-	8,-	33,-
Rotating Support RA 60-A, hot-dip galvanized	B	97,-	9,-	106,-
AG 60-3, hot-dip galvanized	B	126,-	15,-	141,-
Canister Stand AB, galvanized	B	19,-	8,-	27,-
Castor Set, polyamide, Load capacity 375 kg / castor set	B	86,-	15,-	101,-
AW 60-3, hot-dip galvanized	B	217,-	183,-	400,-
Grid GR 60-3, hot-dip galvanized	B	40,-	14,-	54,-
Drum Support FA 60-A, galvanized	B	25,-	8,-	33,-
Rotating Support RA 60-A, hot-dip galvanized	B	97,-	9,-	106,-
AG 60-3, hot-dip galvanized	B	126,-	15,-	141,-
Canister Stand AB, galvanized	B	19,-	8,-	27,-
Castor Set, polyamide, Load capacity 375 kg / castor set	B	86,-	15,-	101,-

Sump Tray Type AW 60/M	Category	Price	Freight charges	Price including freight charges
AW 60-1/M, painted	B	196,-	183,-	379,-
Drum Support FA 60-A, galvanized	B	25,-	8,-	33,-
Rotating Support RA 60-A, hot-dip galvanized	B	97,-	9,-	106,-
AG 60-1, hot-dip galvanized	B	112,-	12,-	124,-
Canister Stand AB, galvanized	B	19,-	8,-	27,-
Castor Set, polyamide, Load capacity 375 kg / castor set	B	86,-	15,-	101,-
AW 60-1/M, hot-dip galvanized	B	211,-	183,-	394,-
Drum Support FA 60-A, galvanized	B	25,-	8,-	33,-
Rotating Support RA 60-A, hot-dip galvanized	B	97,-	9,-	106,-
AG 60-1, hot-dip galvanized	B	112,-	12,-	124,-
Canister Stand AB, galvanized	B	19,-	8,-	27,-
Castor Set, polyamide, Load capacity 375 kg / castor set	B	86,-	15,-	101,-
AW 60-2/M, painted	B	203,-	183,-	386,-
Drum Support FA 60-A, galvanized	B	25,-	8,-	33,-
Drum Support FA 60-2, hot-dip galvanized	B	118,-	18,-	136,-
Rotating Support RA 60-A, hot-dip galvanized	B	97,-	9,-	106,-

Prices in EUR, valid EXW DE-46354 Südlohn, DE-38820 Halberstadt, unpacked
 Freight charges valid CPT Ireland, islands and oversea territories excluded

Price List 0726 en-IE

Environment / Storage



Sump Tray Type AW 60/M	Category	Price	Freight charges	Price including freight charges
AG 60-2, hot-dip galvanized	B	117,-	14,-	131,-
Canister Stand AB, galvanized	B	19,-	8,-	27,-
Castor Set, polyamide, Load capacity 375 kg / castor set	B	86,-	15,-	101,-
AW 60-2/M, hot-dip galvanized	B	221,-	183,-	404,-
Drum Support FA 60-A, galvanized	B	25,-	8,-	33,-
Drum Support FA 60-2, hot-dip galvanized	B	118,-	18,-	136,-
Rotating Support RA 60-A, hot-dip galvanized	B	97,-	9,-	106,-
AG 60-2, hot-dip galvanized	B	117,-	14,-	131,-
Canister Stand AB, galvanized	B	19,-	8,-	27,-
Castor Set, polyamide, Load capacity 375 kg / castor set	B	86,-	15,-	101,-
AW 60-3/M, painted	B	232,-	183,-	415,-
Drum Support FA 60-A, galvanized	B	25,-	8,-	33,-
Drum Support FA 60-2, hot-dip galvanized	B	118,-	18,-	136,-
Drum Support FA 60-3, hot-dip galvanized	B	138,-	21,-	159,-
Rotating Support RA 60-A, hot-dip galvanized	B	97,-	9,-	106,-
AG 60-3, hot-dip galvanized	B	126,-	15,-	141,-
Canister Stand AB, galvanized	B	19,-	8,-	27,-
Castor Set, polyamide, Load capacity 375 kg / castor set	B	86,-	15,-	101,-
AW 60-3/M, hot-dip galvanized	B	254,-	183,-	437,-
Drum Support FA 60-A, galvanized	B	25,-	8,-	33,-
Drum Support FA 60-2, hot-dip galvanized	B	118,-	18,-	136,-
Drum Support FA 60-3, hot-dip galvanized	B	138,-	21,-	159,-
Rotating Support RA 60-A, hot-dip galvanized	B	97,-	9,-	106,-
AG 60-3, hot-dip galvanized	B	126,-	15,-	141,-
Canister Stand AB, galvanized	B	19,-	8,-	27,-
Castor Set, polyamide, Load capacity 375 kg / castor set	B	86,-	15,-	101,-

Sump Tray Type AW/PE	Category	Price	Freight charges	Price including freight charges
AW-1/PE, painted	B	658,-	183,-	841,-
AW-1/PE, hot-dip galvanized	B	688,-	183,-	871,-
AW-2/PE, painted	B	721,-	183,-	904,-
Drum Support FA 60-1, hot-dip galvanized	B	109,-	15,-	124,-
Drum Support FA 60-2, hot-dip galvanized	B	118,-	18,-	136,-
Drum Support FA 60-3, hot-dip galvanized	B	138,-	21,-	159,-
Drum Support FA 200-1, hot-dip galvanized	B	118,-	15,-	133,-
Can Shelf Type GR-A, galvanized	B	138,-	60,-	198,-
Can Shelf Type GR-B, galvanized	B	138,-	60,-	198,-
Can Shelf Type GR-C, galvanized	B	138,-	60,-	198,-
AW-2/PE, hot-dip galvanized	B	757,-	183,-	940,-
Drum Support FA 60-1, hot-dip galvanized	B	109,-	15,-	124,-
Drum Support FA 60-2, hot-dip galvanized	B	118,-	18,-	136,-
Drum Support FA 60-3, hot-dip galvanized	B	138,-	21,-	159,-
Drum Support FA 200-1, hot-dip galvanized	B	118,-	15,-	133,-
Can Shelf Type GR-A, galvanized	B	138,-	60,-	198,-
Can Shelf Type GR-B, galvanized	B	138,-	60,-	198,-
Can Shelf Type GR-C, galvanized	B	138,-	60,-	198,-

Prices in EUR, valid EXW DE-46354 Südlohn, DE-38820 Halberstadt, unpacked
 Freight charges valid CPT Ireland, islands and oversea territories excluded

Price List 0726 en-IE

Environment / Storage



Sump Tray Type AW/PE	Category	Price	Freight charges	Price including freight charges
AW-4/A/PE, painted	B	818,-	278,-	1096,-
Drum Support FA 60-1, hot-dip galvanized	B	109,-	15,-	124,-
Drum Support FA 60-2, hot-dip galvanized	B	118,-	18,-	136,-
Drum Support FA 60-3, hot-dip galvanized	B	138,-	21,-	159,-
Drum Support FA 200-1, hot-dip galvanized	B	118,-	15,-	133,-
Drum Support FA 200-2, hot-dip galvanized	B	138,-	22,-	160,-
Can Shelf Type GR-A, galvanized	B	138,-	60,-	198,-
Can Shelf Type GR-B, galvanized	B	138,-	60,-	198,-
Can Shelf Type GR-C, galvanized	B	138,-	60,-	198,-
AW-4/A/PE, hot-dip galvanized	B	859,-	278,-	1137,-
Drum Support FA 60-1, hot-dip galvanized	B	109,-	15,-	124,-
Drum Support FA 60-2, hot-dip galvanized	B	118,-	18,-	136,-
Drum Support FA 60-3, hot-dip galvanized	B	138,-	21,-	159,-
Drum Support FA 200-1, hot-dip galvanized	B	118,-	15,-	133,-
Drum Support FA 200-2, hot-dip galvanized	B	138,-	22,-	160,-
Can Shelf Type GR-A, galvanized	B	138,-	60,-	198,-
Can Shelf Type GR-B, galvanized	B	138,-	60,-	198,-
Can Shelf Type GR-C, galvanized	B	138,-	60,-	198,-
AW-4/B/PE, painted	B	1021,-	331,-	1352,-
Drum Support FA 60-1, hot-dip galvanized	B	109,-	15,-	124,-
Drum Support FA 60-2, hot-dip galvanized	B	118,-	18,-	136,-
Drum Support FA 60-3, hot-dip galvanized	B	138,-	21,-	159,-
Can Shelf Type GR-A, galvanized	B	138,-	60,-	198,-
Can Shelf Type GR-B, galvanized	B	138,-	60,-	198,-
Can Shelf Type GR-C, galvanized	B	138,-	60,-	198,-
AW-4/B/PE, hot-dip galvanized	B	1096,-	331,-	1427,-
Drum Support FA 60-1, hot-dip galvanized	B	109,-	15,-	124,-
Drum Support FA 60-2, hot-dip galvanized	B	118,-	18,-	136,-
Drum Support FA 60-3, hot-dip galvanized	B	138,-	21,-	159,-
Can Shelf Type GR-A, galvanized	B	138,-	60,-	198,-
Can Shelf Type GR-B, galvanized	B	138,-	60,-	198,-
Can Shelf Type GR-C, galvanized	B	138,-	60,-	198,-
AW 1000/PE, painted	B	1386,-	407,-	1793,-
AW 1000/PE, hot-dip galvanized	B	1575,-	407,-	1982,-
AW 1000-2/PE, painted	B	1700,-	459,-	2159,-
AW 1000-2/PE, hot-dip galvanized	B	1818,-	459,-	2277,-
Sump Trays AW 8-12	Category	Price	Freight charges	Price including freight charges
AW-8, painted	B	732,-	331,-	1063,-
AW-8, hot-dip galvanized	B	815,-	459,-	1274,-
AW-10, painted	B	904,-	459,-	1363,-
AW-10, hot-dip galvanized	B	1239,-	459,-	1698,-
AW-12, painted	B	1035,-	459,-	1494,-
AW-12, hot-dip galvanized	B	1431,-	459,-	1890,-

Prices in EUR, valid EXW DE-46354 Südlohn, DE-38820 Halberstadt, unpacked
Freight charges valid CPT Ireland, islands and oversea territories excluded

Price List 0726 en-IE

Environment / Storage



Sump Tray Type AWA	Category	Price	Freight charges	Price including freight charges
AWA 1000, painted	B	864,-	278,-	1142,-
AWA 1000, hot-dip galvanized	B	1045,-	407,-	1452,-
AWA 1000-2, painted	B	1239,-	459,-	1698,-
AWA 1000-2, hot-dip galvanized	B	1374,-	459,-	1833,-
AWA 1000-3, painted	B	2254,-	549,-	2803,-
AWA 1000-3, hot-dip galvanized	B	2385,-	695,-	3080,-
AWA 21, painted	B	1048,-	459,-	1507,-
AWA 21, hot-dip galvanized	B	1182,-	459,-	1641,-
AWA 31, painted	B	1956,-	549,-	2505,-
AWA 31, hot-dip galvanized	B	2077,-	549,-	2626,-
AWA 32, painted	B	2127,-	549,-	2676,-
AWA 32, hot-dip galvanized	B	2250,-	549,-	2799,-

Sump Tray Type AWA/SW	Category	Price	Freight charges	Price including freight charges
AWA 1000/SW, painted	B	1064,-	407,-	1471,-
AWA 1000/SW, hot-dip galvanized	B	1246,-	407,-	1653,-
AWA 1000-2/SW, painted	B	1472,-	549,-	2021,-
AWA 1000-2/SW, hot-dip galvanized	B	1605,-	549,-	2154,-
AWA 1000-3/SW, painted	B	2518,-	on request	on request
AWA 1000-3/SW, hot-dip galvanized	B	2648,-	on request	on request
AWA 21/SW, painted	B	1278,-	549,-	1827,-
AWA 21/SW, hot-dip galvanized	B	1413,-	549,-	1962,-
AWA 31/SW, painted	B	2217,-	on request	on request
AWA 31/SW, hot-dip galvanized	B	2339,-	on request	on request
AWA 32/SW, painted	B	2388,-	on request	on request
AWA 32/SW, hot-dip galvanized	B	2512,-	on request	on request

Sump Tray Type AW-F	Category	Price	Freight charges	Price including freight charges
AW-F 1, painted	B	657,-	183,-	840,-
Fixture and Tension Belt for 1 x 200 Litre Drum	B	48,-	9,-	57,-
AW-F 1, hot-dip galvanized	B	780,-	183,-	963,-
Fixture and Tension Belt for 1 x 200 Litre Drum	B	48,-	9,-	57,-
AW-F 2, painted	B	688,-	183,-	871,-
Fixture and Tension Belt for 2 x 200 Litre Drums	B	48,-	9,-	57,-
AW-F 2, hot-dip galvanized	B	842,-	183,-	1025,-
Fixture and Tension Belt for 2 x 200 Litre Drums	B	48,-	9,-	57,-

Ground Protection Spill Tray Type BSW	Category	Price	Freight charges	Price including freight charges
BSW 21, galvanized	B	449,-	278,-	727,-
Access Ramp AR 21, galvanized	B	166,-	22,-	188,-
Access Corner Piece AE 24, galvanized	B	130,-	10,-	140,-
Cross-Shaped Connector KV 24, galvanized	B	20,-	8,-	28,-
Tray Connecting Strip WV 21, galvanized	B	22,-	8,-	30,-
BSW 22, galvanized	B	590,-	278,-	868,-
Access Ramp AR 21, galvanized	B	166,-	22,-	188,-

Prices in EUR, valid EXW DE-46354 Südlohn, DE-38820 Halberstadt, unpacked
Freight charges valid CPT Ireland, islands and oversea territories excluded

Price List 0726 en-IE

Environment / Storage



Ground Protection Spill Tray Type BSW	Category	Price	Freight charges	Price including freight charges
Access Ramp AR 22, galvanized	B	211,-	32,-	243,-
Access Corner Piece AE 24, galvanized	B	130,-	10,-	140,-
Cross-Shaped Connector KV 24, galvanized	B	20,-	8,-	28,-
Tray Connecting Strip WV 21, galvanized	B	22,-	8,-	30,-
Tray Connecting Strip WV 22, galvanized	B	24,-	8,-	32,-
BSW 23, galvanized	B	764,-	240,-	1004,-
Access Ramp AR 23, galvanized	B	300,-	236,-	536,-
Access Ramp AR 21, galvanized	B	166,-	22,-	188,-
Access Corner Piece AE 24, galvanized	B	130,-	10,-	140,-
Cross-Shaped Connector KV 24, galvanized	B	20,-	8,-	28,-
Tray Connecting Strip WV 21, galvanized	B	22,-	8,-	30,-
Tray Connecting Strip WV 23, galvanized	B	37,-	9,-	46,-
BSW 24, galvanized	B	1341,-	280,-	1621,-
Access Ramp AR 23, galvanized	B	300,-	236,-	536,-
Access Ramp AR 22, galvanized	B	211,-	32,-	243,-
Access Corner Piece AE 24, galvanized	B	130,-	10,-	140,-
Cross-Shaped Connector KV 24, galvanized	B	20,-	8,-	28,-
Tray Connecting Strip WV 22, galvanized	B	24,-	8,-	32,-
Tray Connecting Strip WV 23, galvanized	B	37,-	9,-	46,-
BSW 121, galvanized	B	199,-	60,-	259,-
Access Ramp AR 121, galvanized	B	163,-	22,-	185,-
Cross-Shaped Connector KV 24, galvanized	B	20,-	8,-	28,-
Tray Connecting Strip WV 121, galvanized	B	21,-	9,-	30,-
BSW 122, galvanized	B	243,-	183,-	426,-
Access Ramp AR 121, galvanized	B	163,-	22,-	185,-
Access Ramp AR 122, galvanized	B	275,-	36,-	311,-
Access Corner Piece AE 124, galvanized	B	261,-	21,-	282,-
Cross-Shaped Connector KV 24, galvanized	B	20,-	8,-	28,-
Tray Connecting Strip WV 121, galvanized	B	21,-	9,-	30,-
Tray Connecting Strip WV 122, galvanized	B	26,-	9,-	35,-
BSW 123, galvanized	B	339,-	183,-	522,-
Access Ramp AR 122, galvanized	B	275,-	36,-	311,-
Access Corner Piece AE 124, galvanized	B	261,-	21,-	282,-
Cross-Shaped Connector KV 24, galvanized	B	20,-	8,-	28,-
Tray Connecting Strip WV 122, galvanized	B	26,-	9,-	35,-
BSW 124, galvanized	B	553,-	278,-	831,-
Access Ramp AR 122, galvanized	B	275,-	36,-	311,-
Access Ramp AR 123, galvanized	B	338,-	278,-	616,-
Access Corner Piece AE 124, galvanized	B	261,-	21,-	282,-
Cross-Shaped Connector KV 24, galvanized	B	20,-	8,-	28,-
Tray Connecting Strip WV 122, galvanized	B	26,-	9,-	35,-
Tray Connecting Strip WV 123, galvanized	B	36,-	9,-	45,-
BSW 125, galvanized	B	426,-	331,-	757,-
Access Ramp AR 121, galvanized	B	163,-	22,-	185,-
Access Ramp AR 124, galvanized	B	392,-	331,-	723,-
Access Corner Piece AE 124, galvanized	B	261,-	21,-	282,-

Prices in EUR, valid EXW DE-46354 Südlohn, DE-38820 Halberstadt, unpacked
Freight charges valid CPT Ireland, islands and oversea territories excluded

Price List 0726 en-IE

Environment / Storage



Ground Protection Spill Tray Type BSW	Category	Price	Freight charges	Price including freight charges
Cross-Shaped Connector KV 24, galvanized	B	20,-	8,-	28,-
Tray Connecting Strip WV 121, galvanized	B	21,-	9,-	30,-
Tray Connecting Strip WV 124, galvanized	B	49,-	9,-	58,-
BSW 126, galvanized	B	668,-	459,-	1127,-
Access Ramp AR 122, galvanized	B	275,-	36,-	311,-
Access Ramp AR 124, galvanized	B	392,-	331,-	723,-
Access Corner Piece AE 124, galvanized	B	261,-	21,-	282,-
Cross-Shaped Connector KV 24, galvanized	B	20,-	8,-	28,-
Tray Connecting Strip WV 122, galvanized	B	26,-	9,-	35,-
Tray Connecting Strip WV 124, galvanized	B	49,-	9,-	58,-

Polyethylene Bunded Spill Flooring Type BWP-PE	Category	Price	Freight charges	Price including freight charges
BWP-PE 150, made of robust polyethylene	B	316,-	183,-	499,-
Ramp Type BWR, robust polyethylene, black	B	222,-	12,-	234,-
Joining Element BWV 2, stainless steel 1.4301	B	29,-	9,-	38,-
BWP-PE 300, made of robust polyethylene	B	641,-	183,-	824,-
Ramp Type BWR, robust polyethylene, black	B	222,-	12,-	234,-
Joining Element BWV 4, stainless steel 1.4301	B	38,-	10,-	48,-

Polyethylene Bunded Spill Flooring Type BWPS-PE	Category	Price	Freight charges	Price including freight charges
BWPS-PE 300, made of robust polyethylene	B	786,-	236,-	1022,-
Ramp Type BWR, robust polyethylene, black	B	222,-	12,-	234,-
Joining Element BWV 2, stainless steel 1.4301	B	29,-	9,-	38,-

Shelf Container Type CEH	Category	Price	Freight charges	Price including freight charges
CEH 29-2, painted	C	9142,-	on request	on request
CEH 29-2 IBC, painted	C	10076,-	on request	on request
CEH 36-2 IBC, painted	C	11727,-	on request	on request
CEH 38-2, painted	C	11719,-	on request	on request
CEH 59-2, painted	C	17352,-	on request	on request
CEH 59-2 IBC, painted	C	18629,-	on request	on request
CEH 75-2 IBC, painted	C	22081,-	on request	on request
CEH 81-2, painted	C	22524,-	on request	on request

Shelf Container Type CEN	Category	Price	Freight charges	Price including freight charges
CEN 29-2, painted	C	7714,-	on request	on request
Potential equalisation	C	184,-	0,-	184,-
CEN 29-2 IBC, painted	C	8421,-	on request	on request
Potential equalisation	C	184,-	0,-	184,-
CEN 29-2b, painted	C	13445,-	on request	on request
Potential equalisation	C	366,-	0,-	366,-
CEN 29-2b IBC, painted	C	14379,-	on request	on request
Potential equalisation	C	366,-	0,-	366,-
CEN 29-3, painted	C	12140,-	on request	on request
Potential equalisation	C	274,-	0,-	274,-

Prices in EUR, valid EXW DE-46354 Südlohn, DE-38820 Halberstadt, unpacked
 Freight charges valid CPT Ireland, islands and oversea territories excluded

Price List 0726 en-IE

Environment / Storage



Shelf Container Type CEN	Category	Price	Freight charges	Price including freight charges
CEN 29-3 IBC, painted	C	12917,-	on request	on request
Potential equalisation	C	274,-	0,-	274,-
CEN 29-3b, painted	C	19757,-	on request	on request
Potential equalisation	C	546,-	0,-	546,-
CEN 29-3b IBC, painted	C	20862,-	on request	on request
Potential equalisation	C	546,-	0,-	546,-
CEN 33-2 IBC, painted	C	9393,-	on request	on request
Potential equalisation	C	184,-	0,-	184,-
CEN 33-2b IBC, painted	C	15740,-	on request	on request
Potential equalisation	C	366,-	0,-	366,-
CEN 33-3 IBC, painted	C	13849,-	on request	on request
Potential equalisation	C	274,-	0,-	274,-
CEN 33-3b IBC, painted	C	22018,-	on request	on request
Potential equalisation	C	546,-	0,-	546,-
CEN 36-2, painted	C	9470,-	on request	on request
Potential equalisation	C	184,-	0,-	184,-
CEN 36-2b, painted	C	16110,-	on request	on request
Potential equalisation	C	366,-	0,-	366,-
CEN 36-3, painted	C	14046,-	on request	on request
Potential equalisation	C	274,-	0,-	274,-
CEN 36-3b, painted	C	22693,-	on request	on request
Potential equalisation	C	546,-	0,-	546,-
CEN 59-2, painted	C	12772,-	on request	on request
Potential equalisation	C	365,-	0,-	365,-
CEN 59-2 IBC, painted	C	13917,-	on request	on request
Potential equalisation	C	365,-	0,-	365,-
CEN 59-2b, painted	C	21982,-	on request	on request
Potential equalisation	C	729,-	0,-	729,-
CEN 59-2b IBC, painted	C	22754,-	on request	on request
Potential equalisation	C	729,-	0,-	729,-
CEN 59-3, painted	C	19663,-	on request	on request
Potential equalisation	C	545,-	0,-	545,-
CEN 59-3 IBC, painted	C	20812,-	on request	on request
Potential equalisation	C	545,-	0,-	545,-
CEN 59-3b, painted	C	31741,-	on request	on request
Potential equalisation	C	1089,-	0,-	1089,-
CEN 59-3b IBC, painted	C	33404,-	on request	on request
Potential equalisation	C	1089,-	0,-	1089,-
CEN 65-2 IBC, painted	C	15002,-	on request	on request
Potential equalisation	C	365,-	0,-	365,-
CEN 65-2b IBC, painted	C	25299,-	on request	on request
Potential equalisation	C	729,-	0,-	729,-
CEN 65-3 IBC, painted	C	21999,-	on request	on request
Potential equalisation	C	545,-	0,-	545,-
CEN 65-3b IBC, painted	C	35919,-	on request	on request
Potential equalisation	C	1089,-	0,-	1089,-

Prices in EUR, valid EXW DE-46354 Südlohn, DE-38820 Halberstadt, unpacked
Freight charges valid CPT Ireland, islands and oversea territories excluded

Price List 0726 en-IE

Environment / Storage



Shelf Container Type CEN	Category	Price	Freight charges	Price including freight charges
CEN 75-2, painted	C	16004,-	on request	on request
Potential equalisation	C	365,-	0,-	365,-
CEN 75-2b, painted	C	26485,-	on request	on request
Potential equalisation	C	729,-	0,-	729,-
CEN 75-3, painted	C	23086,-	on request	on request
Potential equalisation	C	545,-	0,-	545,-
CEN 75-3b, painted	C	37480,-	on request	on request
Potential equalisation	C	1089,-	0,-	1089,-
CEN 81-2, painted	C	16788,-	on request	on request
Potential equalisation	C	365,-	0,-	365,-
CEN 81-2b, painted	C	27692,-	on request	on request
Potential equalisation	C	729,-	0,-	729,-
CEN 81-3, painted	C	24174,-	on request	on request
Potential equalisation	C	545,-	0,-	545,-
CEN 81-3b, painted	C	39119,-	on request	on request
Potential equalisation	C	1089,-	0,-	1089,-

Sump Tray for Skips Type CW	Category	Price	Freight charges	Price including freight charges
CW 1, painted	B	2952,-	on request	on request
CW 2, painted	B	3226,-	on request	on request
CW 3, painted	B	3722,-	on request	on request

Sump Tray Type ECO	Category	Price	Freight charges	Price including freight charges
ECO 1/200, painted	B	246,-	183,-	429,-
ECO 1/200, hot-dip galvanized	B	256,-	183,-	439,-
ECO 2/200, painted	B	261,-	183,-	444,-
ECO 2/200, hot-dip galvanized	B	270,-	183,-	453,-
ECO 4/200, painted	B	285,-	183,-	468,-
ECO 4/200, hot-dip galvanized	B	297,-	183,-	480,-
ECO 4/400, painted	B	354,-	183,-	537,-
ECO 4/400, hot-dip galvanized	B	370,-	183,-	553,-
ECO 1/1000, painted	B	632,-	278,-	910,-
ECO 1/1000, hot-dip galvanized	B	759,-	278,-	1037,-
ECO 2/1000, painted	B	826,-	331,-	1157,-
ECO 2/1000, hot-dip galvanized	B	915,-	331,-	1246,-

Sump Tray Type ECO-A	Category	Price	Freight charges	Price including freight charges
ECO-A 1/1000, painted	B	831,-	278,-	1109,-
ECO-A 1/1000, hot-dip galvanized	B	971,-	278,-	1249,-
ECO-A 2/1000, painted	B	1221,-	459,-	1680,-
ECO-A 2/1000, hot-dip galvanized	B	1341,-	459,-	1800,-

Sump Tray Type ECO-S	Category	Price	Freight charges	Price including freight charges
ECO-S 2/200, hot-dip galvanized	B	3447,-	690,-	4137,-
ECO-S 4/200, hot-dip galvanized	B	4053,-	975,-	5028,-

Prices in EUR, valid EXW DE-46354 Südlohn, DE-38820 Halberstadt, unpacked
 Freight charges valid CPT Ireland, islands and oversea territories excluded

Price List 0726 en-IE

Environment / Storage



Sump Tray Type ECO-S	Category	Price	Freight charges	Price including freight charges
ECO-S 4/400, hot-dip galvanized	B	5000,-	1095,-	6095,-

Suspended Sump with Polyethylene Inlay Type EHW PE	Category	Price	Freight charges	Price including freight charges
EHW 1800 PE, painted	B	909,-	278,-	1187,-
EHW 1800 PE, hot-dip galvanized	B	922,-	278,-	1200,-
EHW 2200 PE, painted	B	987,-	278,-	1265,-
EHW 2200 PE, hot-dip galvanized	B	1028,-	278,-	1306,-
EHW 2700 PE, painted	B	1144,-	459,-	1603,-
EHW 2700 PE, hot-dip galvanized	B	1211,-	459,-	1670,-
EHW 3300 PE, painted	B	1653,-	459,-	2112,-
EHW 3300 PE, hot-dip galvanized	B	1727,-	459,-	2186,-

Suspended Sump Type EHW	Category	Price	Freight charges	Price including freight charges
EHW 1800, painted	B	509,-	278,-	787,-
EHW 1800, hot-dip galvanized	B	521,-	278,-	799,-
EHW 2200, painted	B	564,-	278,-	842,-
EHW 2200, hot-dip galvanized	B	605,-	278,-	883,-
EHW 2700, painted	B	648,-	331,-	979,-
EHW 2700, hot-dip galvanized	B	717,-	331,-	1048,-
EHW 3300, painted	B	1002,-	459,-	1461,-
EHW 3300, hot-dip galvanized	B	1076,-	459,-	1535,-
EHW 3600, painted	B	1050,-	459,-	1509,-
EHW 3600, hot-dip galvanized	B	1131,-	459,-	1590,-

Drum Pallet Type FP	Category	Price	Freight charges	Price including freight charges
FP 2, hot-dip galvanized	B	92,-	183,-	275,-

Drum Shelve Type FR	Category	Price	Freight charges	Price including freight charges
FR-1, hot-dip galvanized	B	293,-	183,-	476,-
Can Stand Type GS, hot-dip galvanized	B	65,-	18,-	83,-
Clip-on Rotating Support, galvanized	B	85,-	10,-	95,-
FR-2, hot-dip galvanized	B	375,-	183,-	558,-
Can Stand Type GS, hot-dip galvanized	B	65,-	18,-	83,-
Clip-on Rotating Support, galvanized	B	85,-	10,-	95,-
FR-3, hot-dip galvanized	B	419,-	183,-	602,-
Can Stand Type GS, hot-dip galvanized	B	65,-	18,-	83,-
Rotating Support RA 60, hot-dip galvanized	B	97,-	9,-	106,-

Sump Tray Type FRA	Category	Price	Freight charges	Price including freight charges
FRA-1, painted	B	310,-	183,-	493,-
Grid, hot-dip galvanized	B	67,-	16,-	83,-
FRA-1, hot-dip galvanized	B	367,-	183,-	550,-
Grid, hot-dip galvanized	B	67,-	16,-	83,-
FRA-2, painted	B	322,-	183,-	505,-
Grid, hot-dip galvanized	B	132,-	24,-	156,-

Prices in EUR, valid EXW DE-46354 Südlohn, DE-38820 Halberstadt, unpacked
Freight charges valid CPT Ireland, islands and oversea territories excluded

Price List 0726 en-IE

Environment / Storage



Sump Tray Type FRA	Category	Price	Freight charges	Price including freight charges
FRA-2, hot-dip galvanized	B	378,-	183,-	561,-
Grid, hot-dip galvanized	B	132,-	24,-	156,-
FRA-3, painted	B	322,-	183,-	505,-
Grid, hot-dip galvanized	B	132,-	24,-	156,-
FRA-3, hot-dip galvanized	B	378,-	183,-	561,-
Grid, hot-dip galvanized	B	132,-	24,-	156,-
Drum Shelf Type FRE/M	Category	Price	Freight charges	Price including freight charges
FRE-1/M, hot-dip galvanized	B	225,-	21,-	246,-
Clip-on Rotating Support, galvanized	B	85,-	10,-	95,-
Can Stand Type GS, hot-dip galvanized	B	65,-	18,-	83,-
FRE-2/M, hot-dip galvanized	B	261,-	22,-	283,-
Clip-on Rotating Support, galvanized	B	85,-	10,-	95,-
Can Stand Type GS, hot-dip galvanized	B	65,-	18,-	83,-
FRE-3/M, hot-dip galvanized	B	279,-	27,-	306,-
Rotating Support RA 60, hot-dip galvanized	B	97,-	9,-	106,-
Can Stand Type GS, hot-dip galvanized	B	65,-	18,-	83,-
Can Shelf Type FRE-G/M	Category	Price	Freight charges	Price including freight charges
FRE-G1/M, hot-dip galvanized	B	236,-	27,-	263,-
FRE-G2/M, hot-dip galvanized	B	274,-	32,-	306,-
Can Shelf for Small Cans Type FRG	Category	Price	Freight charges	Price including freight charges
FRG, hot-dip galvanized	B	381,-	183,-	564,-
Drum Stacking Pallet Type FSP-D	Category	Price	Freight charges	Price including freight charges
FSP-1 D, lackiert	B	845,-	278,-	1123,-
FSP-1 D, hot-dip galvanized	B	1106,-	278,-	1384,-
FSP-2 D, lackiert	B	901,-	278,-	1179,-
FSP-2 D, hot-dip galvanized	B	1222,-	278,-	1500,-
FSP-4 D, lackiert	B	1170,-	278,-	1448,-
FSP-4 D, hot-dip galvanized	B	1615,-	278,-	1893,-
Drum Stacking Pallet Type FSP-G	Category	Price	Freight charges	Price including freight charges
FSP-1 G, lackiert	B	821,-	278,-	1099,-
FSP-1 G, hot-dip galvanized	B	1089,-	278,-	1367,-
FSP-2 G, painted	B	879,-	278,-	1157,-
FSP-2 G, hot-dip galvanized	B	1197,-	278,-	1475,-
FSP-4 G, painted	B	1148,-	407,-	1555,-
FSP-4 G, hot-dip galvanized	B	1587,-	407,-	1994,-
Drum Stacking Pallet Type FSP	Category	Price	Freight charges	Price including freight charges
FSP-1, painted	B	484,-	183,-	667,-
FSP-1, hot-dip galvanized	B	727,-	278,-	1005,-
FSP-2, painted	B	655,-	278,-	933,-

Prices in EUR, valid EXW DE-46354 Südlohn, DE-38820 Halberstadt, unpacked
Freight charges valid CPT Ireland, islands and oversea territories excluded

Price List 0726 en-IE

Environment / Storage



Drum Stacking Pallet Type FSP	Category	Price	Freight charges	Price including freight charges
FSP-2, hot-dip galvanized	B	913,-	278,-	1191,-
FSP-4, painted	B	746,-	278,-	1024,-
FSP-4, hot-dip galvanized	B	1151,-	278,-	1429,-

Hazardous Materials Depot Type GD-A	Category	Price	Freight charges	Price including freight charges
GD-A, painted	C	762,-	278,-	1040,-
Drum Support FA 60-1, hot-dip galvanized	B	109,-	15,-	124,-
Drum Support FA 60-2, hot-dip galvanized	B	118,-	18,-	136,-
Drum Support FA 60-3, hot-dip galvanized	B	138,-	21,-	159,-
Can Shelf Type GR-A, galvanized	B	138,-	60,-	198,-
Can Shelf Type GR-B, galvanized	B	138,-	60,-	198,-
Can Shelf Type GR-C, galvanized	B	138,-	60,-	198,-
GD-A, hot-dip galvanized	C	960,-	278,-	1238,-
Drum Support FA 60-1, hot-dip galvanized	B	109,-	15,-	124,-
Drum Support FA 60-2, hot-dip galvanized	B	118,-	18,-	136,-
Drum Support FA 60-3, hot-dip galvanized	B	138,-	21,-	159,-
Can Shelf Type GR-A, galvanized	B	138,-	60,-	198,-
Can Shelf Type GR-B, galvanized	B	138,-	60,-	198,-
Can Shelf Type GR-C, galvanized	B	138,-	60,-	198,-

Hazardous Materials Depot Type GD-B	Category	Price	Freight charges	Price including freight charges
GD-B, painted	C	1363,-	278,-	1641,-
Drum Support FA 60-1, hot-dip galvanized	B	109,-	15,-	124,-
Drum Support FA 60-2, hot-dip galvanized	B	118,-	18,-	136,-
Drum Support FA 60-3, hot-dip galvanized	B	138,-	21,-	159,-
Can Shelf Type GR-A, galvanized	B	138,-	60,-	198,-
Can Shelf Type GR-B, galvanized	B	138,-	60,-	198,-
Can Shelf Type GR-C, galvanized	B	138,-	60,-	198,-
GD-B, hot-dip galvanized	C	1625,-	278,-	1903,-
Drum Support FA 60-1, hot-dip galvanized	B	109,-	15,-	124,-
Drum Support FA 60-2, hot-dip galvanized	B	118,-	18,-	136,-
Drum Support FA 60-3, hot-dip galvanized	B	138,-	21,-	159,-
Can Shelf Type GR-A, galvanized	B	138,-	60,-	198,-
Can Shelf Type GR-B, galvanized	B	138,-	60,-	198,-
Can Shelf Type GR-C, galvanized	B	138,-	60,-	198,-

Hazardous Materials Depot Type GD-C	Category	Price	Freight charges	Price including freight charges
GD-C, painted	C	1163,-	278,-	1441,-
Drum Support FA 60-1, hot-dip galvanized	B	109,-	15,-	124,-
Drum Support FA 60-2, hot-dip galvanized	B	118,-	18,-	136,-
Drum Support FA 60-3, hot-dip galvanized	B	138,-	21,-	159,-
Can Shelf Type GR-A, galvanized	B	138,-	60,-	198,-
Can Shelf Type GR-B, galvanized	B	138,-	60,-	198,-
Can Shelf Type GR-C, galvanized	B	138,-	60,-	198,-
GD-C, hot-dip galvanized	C	1314,-	278,-	1592,-

Prices in EUR, valid EXW DE-46354 Südlohn, DE-38820 Halberstadt, unpacked
 Freight charges valid CPT Ireland, islands and oversea territories excluded

Price List 0726 en-IE

Environment / Storage



Hazardous Materials Depot Type GD-C	Category	Price	Freight charges	Price including freight charges
Drum Support FA 60-1, hot-dip galvanized	B	109,-	15,-	124,-
Drum Support FA 60-2, hot-dip galvanized	B	118,-	18,-	136,-
Drum Support FA 60-3, hot-dip galvanized	B	138,-	21,-	159,-
Can Shelf Type GR-A, galvanized	B	138,-	60,-	198,-
Can Shelf Type GR-B, galvanized	B	138,-	60,-	198,-
Can Shelf Type GR-C, galvanized	B	138,-	60,-	198,-

Hazardous Materials Depot Type GD-E	Category	Price	Freight charges	Price including freight charges
GD-E 2, galvanized	C	1562,-	407,-	1969,-
Drum Support FA 60-1, hot-dip galvanized	B	109,-	15,-	124,-
Drum Support FA 60-2, hot-dip galvanized	B	118,-	18,-	136,-
Drum Support FA 60-3, hot-dip galvanized	B	138,-	21,-	159,-
Can Shelf Type GR-A, galvanized	B	138,-	60,-	198,-
Can Shelf Type GR-B, galvanized	B	138,-	60,-	198,-
Can Shelf Type GR-C, galvanized	B	138,-	60,-	198,-
GD-E 4, galvanized	C	1907,-	496,-	2403,-
Drum Support FA 60-1, hot-dip galvanized	B	109,-	15,-	124,-
Drum Support FA 60-2, hot-dip galvanized	B	118,-	18,-	136,-
Drum Support FA 60-3, hot-dip galvanized	B	138,-	21,-	159,-
Can Shelf Type GR-A, galvanized	B	138,-	60,-	198,-
Can Shelf Type GR-B, galvanized	B	138,-	60,-	198,-
Can Shelf Type GR-C, galvanized	B	138,-	60,-	198,-

Hazardous Materials Depot Type GD-E/IBC	Category	Price	Freight charges	Price including freight charges
GD-E/IBC, galvanized	C	2367,-	1180,-	3547,-
GD-E/IBC-2, galvanized	C	3552,-	426,-	3978,-

Hazardous Materials Depot Type GD-N	Category	Price	Freight charges	Price including freight charges
GD-N 2, galvanized	C	1362,-	407,-	1769,-
Intermediate Storage Level, hot-dip galvanized	C	106,-	18,-	124,-
Drum Support FA 60-1, hot-dip galvanized	B	109,-	15,-	124,-
Can Shelf Type GR-A, galvanized	B	138,-	60,-	198,-
Can Shelf Type GR-B, galvanized	B	138,-	60,-	198,-
Can Shelf Type GR-C, galvanized	B	138,-	60,-	198,-
GD-N 4, galvanized	C	1697,-	407,-	2104,-
Intermediate Storage Level, hot-dip galvanized	C	106,-	18,-	124,-
Drum Support FA 60-1, hot-dip galvanized	B	109,-	15,-	124,-
Drum Support FA 60-2, hot-dip galvanized	B	118,-	18,-	136,-
Drum Support FA 200-1, hot-dip galvanized	B	118,-	15,-	133,-
Drum Support FA 200-2, hot-dip galvanized	B	138,-	22,-	160,-
Can Shelf Type GR-A, galvanized	B	138,-	60,-	198,-
Can Shelf Type GR-B, galvanized	B	138,-	60,-	198,-
Can Shelf Type GR-C, galvanized	B	138,-	60,-	198,-

Prices in EUR, valid EXW DE-46354 Südlohn, DE-38820 Halberstadt, unpacked
Freight charges valid CPT Ireland, islands and oversea territories excluded

Price List 0726 en-IE

Environment / Storage



Hazardous Materials DepotType GD-N/R	Category	Price	Freight charges	Price including freight charges
GD-N/R 2, galvanized	C	1562,—	407,—	1969,—
Intermediate Storage Level, hot-dip galvanized	C	106,—	18,—	124,—
Drum Support FA 60-1, hot-dip galvanized	B	109,—	15,—	124,—
Can Shelf Type GR-A, galvanized	B	138,—	60,—	198,—
Can Shelf Type GR-B, galvanized	B	138,—	60,—	198,—
Can Shelf Type GR-C, galvanized	B	138,—	60,—	198,—
GD-N/R 4, galvanized	C	1901,—	407,—	2308,—
Intermediate Storage Level, hot-dip galvanized	C	106,—	18,—	124,—
Drum Support FA 60-1, hot-dip galvanized	B	109,—	15,—	124,—
Drum Support FA 60-2, hot-dip galvanized	B	118,—	18,—	136,—
Drum Support FA 200-1, hot-dip galvanized	B	118,—	15,—	133,—
Drum Support FA 200-2, hot-dip galvanized	B	138,—	22,—	160,—
Can Shelf Type GR-A, galvanized	B	138,—	60,—	198,—
Can Shelf Type GR-B, galvanized	B	138,—	60,—	198,—
Can Shelf Type GR-C, galvanized	B	138,—	60,—	198,—

Gas Cylinder Containers Type GFC-B	Category	Price	Freight charges	Price including freight charges
GFC-B M0, painted	B	3406,—	992,—	4398,—
Fixture with Safety Chain to Secure Gas Cylinders, hot-dip galvanized	B	72,—	12,—	84,—
Rack for Gas Cylinders GFG-2, galvanized	B	204,—	183,—	387,—
GFC-B M1, painted	B	3949,—	1088,—	5037,—
Fixture with Safety Chain to Secure Gas Cylinders, hot-dip galvanized	B	72,—	12,—	84,—
Rack for Gas Cylinders GFG-2, galvanized	B	204,—	183,—	387,—
GFC-B M2, painted	B	4114,—	1088,—	5202,—
Fixture with Safety Chain to Secure Gas Cylinders, hot-dip galvanized	B	72,—	12,—	84,—
Rack for Gas Cylinders GFG-2, galvanized	B	204,—	183,—	387,—
GFC-B M3, painted	B	4761,—	1088,—	5849,—
Fixture with Safety Chain to Secure Gas Cylinders, hot-dip galvanized	B	72,—	12,—	84,—
Rack for Gas Cylinders GFG-2, galvanized	B	204,—	183,—	387,—
GFC-B M4, painted	B	5355,—	1169,—	6524,—
Fixture with Safety Chain to Secure Gas Cylinders, hot-dip galvanized	B	72,—	12,—	84,—
Rack for Gas Cylinders GFG-2, galvanized	B	204,—	183,—	387,—
GFC-B M5, painted	B	7439,—	1169,—	8608,—
Fixture with Safety Chain to Secure Gas Cylinders, hot-dip galvanized	B	72,—	12,—	84,—
Rack for Gas Cylinders GFG-2, galvanized	B	204,—	183,—	387,—

Gas Cylinder Containers Type GFC-B/W	Category	Price	Freight charges	Price including freight charges
GFC-B/W M1, painted	B	4216,—	1088,—	5304,—
Fixture with Safety Chain to Secure Gas Cylinders, hot-dip galvanized	B	72,—	12,—	84,—
GFC-B/W M2, painted	B	4421,—	1088,—	5509,—
Fixture with Safety Chain to Secure Gas Cylinders, hot-dip galvanized	B	72,—	12,—	84,—
GFC-B/W M3, painted	B	5076,—	1088,—	6164,—
Fixture with Safety Chain to Secure Gas Cylinders, hot-dip galvanized	B	72,—	12,—	84,—
Rack for Gas Cylinders GFG-2, galvanized	B	204,—	183,—	387,—
GFC-B/W M4, painted	B	5675,—	1169,—	6844,—

Prices in EUR, valid EXW DE-46354 Südlohn, DE-38820 Halberstadt, unpacked
Freight charges valid CPT Ireland, islands and oversea territories excluded

Price List 0726 en-IE

Environment / Storage



Gas Cylinder Containers Type GFC-B/W	Category	Price	Freight charges	Price including freight charges
Fixture with Safety Chain to Secure Gas Cylinders, hot-dip galvanized	B	72,-	12,-	84,-
Rack for Gas Cylinders GFG-2, galvanized	B	204,-	183,-	387,-
GFC-B/W M5, painted	B	7844,-	1169,-	9013,-
Fixture with Safety Chain to Secure Gas Cylinders, hot-dip galvanized	B	72,-	12,-	84,-
Rack for Gas Cylinders GFG-2, galvanized	B	204,-	183,-	387,-

Gas Cylinder Containers Type GFC-E/G	Category	Price	Freight charges	Price including freight charges
GFC-E/G M0, hot-dip galvanized	B	1540,-	407,-	1947,-
Fixture with Safety Chain to Secure Gas Cylinders, hot-dip galvanized	B	40,-	12,-	52,-
Rack for Gas Cylinders GFG-2, galvanized	B	204,-	183,-	387,-
Access Ramp Type AR, galvanized	B	163,-	22,-	185,-
GFC-E/G M1, hot-dip galvanized	B	2191,-	1088,-	3279,-
Fixture with Safety Chain to Secure Gas Cylinders, hot-dip galvanized	B	40,-	12,-	52,-
Rack for Gas Cylinders GFG-2, galvanized	B	204,-	183,-	387,-
Access Ramp Type AR, galvanized	B	163,-	22,-	185,-
Central Dividing Wall, galvanized	B	87,-	22,-	109,-
GFC-E/G M2, hot-dip galvanized	B	2401,-	1088,-	3489,-
Fixture with Safety Chain to Secure Gas Cylinders, hot-dip galvanized	B	40,-	12,-	52,-
Rack for Gas Cylinders GFG-2, galvanized	B	204,-	183,-	387,-
Access Ramp Type AR, galvanized	B	163,-	22,-	185,-
Central Dividing Wall, galvanized	B	129,-	32,-	161,-
GFC-E/G M3, hot-dip galvanized	B	2671,-	1088,-	3759,-
Fixture with Safety Chain to Secure Gas Cylinders, hot-dip galvanized	B	40,-	12,-	52,-
Rack for Gas Cylinders GFG-2, galvanized	B	204,-	183,-	387,-
Access Ramp Type AR, galvanized	B	163,-	22,-	185,-
Central Dividing Wall, galvanized	B	129,-	32,-	161,-
GFC-E/G M4, hot-dip galvanized	B	2895,-	1169,-	4064,-
Fixture with Safety Chain to Secure Gas Cylinders, hot-dip galvanized	B	40,-	12,-	52,-
Rack for Gas Cylinders GFG-2, galvanized	B	204,-	183,-	387,-
Access Ramp Type AR, galvanized	B	163,-	22,-	185,-
Central Dividing Wall, galvanized	B	129,-	32,-	161,-
GFC-E/G M5, hot-dip galvanized	B	3587,-	1169,-	4756,-
Fixture with Safety Chain to Secure Gas Cylinders, hot-dip galvanized	B	40,-	12,-	52,-
Rack for Gas Cylinders GFG-2, galvanized	B	204,-	183,-	387,-
Access Ramp Type AR, galvanized	B	163,-	22,-	185,-
Central Dividing Wall, galvanized	B	191,-	40,-	231,-

Gas Cylinder Containers Type GFC-E/T	Category	Price	Freight charges	Price including freight charges
GFC-E/T M0, hot-dip galvanized	B	1560,-	407,-	1967,-
Fixture with Safety Chain to Secure Gas Cylinders, hot-dip galvanized	B	40,-	12,-	52,-
Rack for Gas Cylinders GFG-2, galvanized	B	204,-	183,-	387,-
Access Ramp Type AR, galvanized	B	163,-	22,-	185,-
GFC-E/T M1, hot-dip galvanized	B	2229,-	1088,-	3317,-
Fixture with Safety Chain to Secure Gas Cylinders, hot-dip galvanized	B	40,-	12,-	52,-
Rack for Gas Cylinders GFG-2, galvanized	B	204,-	183,-	387,-

Prices in EUR, valid EXW DE-46354 Südlohn, DE-38820 Halberstadt, unpacked
Freight charges valid CPT Ireland, islands and oversea territories excluded

Price List 0726 en-IE

Environment / Storage



Gas Cylinder Containers Type GFC-E/T	Category	Price	Freight charges	Price including freight charges
Access Ramp Type AR, galvanized	B	163,-	22,-	185,-
Central Dividing Wall, galvanized	B	87,-	22,-	109,-
GFC-E/T M2, hot-dip galvanized	B	2448,-	1088,-	3536,-
Fixture with Safety Chain to Secure Gas Cylinders, hot-dip galvanized	B	40,-	12,-	52,-
Rack for Gas Cylinders GFG-2, galvanized	B	204,-	183,-	387,-
Access Ramp Type AR, galvanized	B	163,-	22,-	185,-
Central Dividing Wall, galvanized	B	129,-	32,-	161,-
GFC-E/T M3, hot-dip galvanized	B	2737,-	1088,-	3825,-
Fixture with Safety Chain to Secure Gas Cylinders, hot-dip galvanized	B	40,-	12,-	52,-
Rack for Gas Cylinders GFG-2, galvanized	B	204,-	183,-	387,-
Access Ramp Type AR, galvanized	B	163,-	22,-	185,-
Central Dividing Wall, galvanized	B	129,-	32,-	161,-
GFC-E/T M4, hot-dip galvanized	B	2960,-	1169,-	4129,-
Fixture with Safety Chain to Secure Gas Cylinders, hot-dip galvanized	B	40,-	12,-	52,-
Rack for Gas Cylinders GFG-2, galvanized	B	204,-	183,-	387,-
Access Ramp Type AR, galvanized	B	163,-	22,-	185,-
Central Dividing Wall, galvanized	B	129,-	32,-	161,-
GFC-E/T M5, hot-dip galvanized	B	3678,-	1169,-	4847,-
Fixture with Safety Chain to Secure Gas Cylinders, hot-dip galvanized	B	40,-	12,-	52,-
Rack for Gas Cylinders GFG-2, galvanized	B	204,-	183,-	387,-
Access Ramp Type AR, galvanized	B	163,-	22,-	185,-
Central Dividing Wall, galvanized	B	191,-	40,-	231,-

Gas Cylinder Containers Type GFC-M/D	Category	Price	Freight charges	Price including freight charges
GFC-M0/D, hot-dip galvanized	B	1028,-	278,-	1306,-
Grid Floor, hot-dip galvanized	B	152,-	72,-	224,-
Fixture with Safety Chain to Secure Gas Cylinders, hot-dip galvanized	B	40,-	12,-	52,-
Rack for Gas Cylinders GFG-2, galvanized	B	204,-	183,-	387,-
GFC-M1/D, hot-dip galvanized	B	1247,-	407,-	1654,-
Grid Floor, hot-dip galvanized	B	274,-	183,-	457,-
Fixture with Safety Chain to Secure Gas Cylinders, hot-dip galvanized	B	40,-	12,-	52,-
Rack for Gas Cylinders GFG-2, galvanized	B	204,-	183,-	387,-
GFC-M2/D, hot-dip galvanized	B	1327,-	407,-	1734,-
Grid Floor, hot-dip galvanized	B	375,-	183,-	558,-
Fixture with Safety Chain to Secure Gas Cylinders, hot-dip galvanized	B	40,-	12,-	52,-
Rack for Gas Cylinders GFG-2, galvanized	B	204,-	183,-	387,-
GFC-M3/D, hot-dip galvanized	B	1498,-	407,-	1905,-
Grid Floor, hot-dip galvanized	B	510,-	278,-	788,-
Fixture with Safety Chain to Secure Gas Cylinders, hot-dip galvanized	B	40,-	12,-	52,-
Rack for Gas Cylinders GFG-2, galvanized	B	204,-	183,-	387,-
GFC-M4/D, hot-dip galvanized	B	1601,-	407,-	2008,-
Grid Floor, hot-dip galvanized	B	627,-	278,-	905,-
Fixture with Safety Chain to Secure Gas Cylinders, hot-dip galvanized	B	40,-	12,-	52,-
Rack for Gas Cylinders GFG-2, galvanized	B	204,-	183,-	387,-
GFC-M5/D, hot-dip galvanized	B	1903,-	496,-	2399,-
Grid Floor, hot-dip galvanized	B	765,-	278,-	1043,-

Prices in EUR, valid EXW DE-46354 Südlohn, DE-38820 Halberstadt, unpacked
Freight charges valid CPT Ireland, islands and oversea territories excluded

Price List 0726 en-IE

Environment / Storage



Gas Cylinder Containers Type GFC-M/D	Category	Price	Freight charges	Price including freight charges
Fixture with Safety Chain to Secure Gas Cylinders, hot-dip galvanized	B	40,-	12,-	52,-
Rack for Gas Cylinders GFG-2, galvanized	B	204,-	183,-	387,-

Gas Cylinder Containers Type GFC-M	Category	Price	Freight charges	Price including freight charges
GFC-M1, hot-dip galvanized	B	1101,-	278,-	1379,-
Grid Floor, hot-dip galvanized	B	274,-	183,-	457,-
Fixture with Safety Chain to Secure Gas Cylinders, hot-dip galvanized	B	40,-	12,-	52,-
Rack for Gas Cylinders GFG-2, galvanized	B	204,-	183,-	387,-
GFC-M2, hot-dip galvanized	B	1169,-	407,-	1576,-
Grid Floor, hot-dip galvanized	B	375,-	183,-	558,-
Fixture with Safety Chain to Secure Gas Cylinders, hot-dip galvanized	B	40,-	12,-	52,-
Rack for Gas Cylinders GFG-2, galvanized	B	204,-	183,-	387,-
GFC-M3, hot-dip galvanized	B	1312,-	407,-	1719,-
Grid Floor, hot-dip galvanized	B	510,-	278,-	788,-
Fixture with Safety Chain to Secure Gas Cylinders, hot-dip galvanized	B	40,-	12,-	52,-
Rack for Gas Cylinders GFG-2, galvanized	B	204,-	183,-	387,-
GFC-M4, hot-dip galvanized	B	1380,-	407,-	1787,-
Grid Floor, hot-dip galvanized	B	627,-	278,-	905,-
Fixture with Safety Chain to Secure Gas Cylinders, hot-dip galvanized	B	40,-	12,-	52,-
Rack for Gas Cylinders GFG-2, galvanized	B	204,-	183,-	387,-
GFC-M5, hot-dip galvanized	B	1602,-	407,-	2009,-
Grid Floor, hot-dip galvanized	B	765,-	278,-	1043,-
Fixture with Safety Chain to Secure Gas Cylinders, hot-dip galvanized	B	40,-	12,-	52,-
Rack for Gas Cylinders GFG-2, galvanized	B	204,-	183,-	387,-

Gas Cylinder Containers Type GFC-M/D-DF	Category	Price	Freight charges	Price including freight charges
GFC-M1/D-DF, hot-dip galvanized	B	1424,-	407,-	1831,-
Grid Floor, hot-dip galvanized	B	274,-	183,-	457,-
Fixture with Safety Chain to Secure Gas Cylinders, hot-dip galvanized	B	40,-	12,-	52,-
Rack for Gas Cylinders GFG-2, galvanized	B	204,-	183,-	387,-
GFC-M2/D-DF, hot-dip galvanized	B	1503,-	407,-	1910,-
Grid Floor, hot-dip galvanized	B	375,-	183,-	558,-
Fixture with Safety Chain to Secure Gas Cylinders, hot-dip galvanized	B	40,-	12,-	52,-
Rack for Gas Cylinders GFG-2, galvanized	B	204,-	183,-	387,-
GFC-M3/D-DF, hot-dip galvanized	B	1675,-	407,-	2082,-
Grid Floor, hot-dip galvanized	B	510,-	278,-	788,-
Fixture with Safety Chain to Secure Gas Cylinders, hot-dip galvanized	B	40,-	12,-	52,-
Rack for Gas Cylinders GFG-2, galvanized	B	204,-	183,-	387,-
GFC-M4/D-DF, hot-dip galvanized	B	1810,-	496,-	2306,-
Grid Floor, hot-dip galvanized	B	627,-	278,-	905,-
Fixture with Safety Chain to Secure Gas Cylinders, hot-dip galvanized	B	40,-	12,-	52,-
Rack for Gas Cylinders GFG-2, galvanized	B	204,-	183,-	387,-
GFC-M5/D-DF, hot-dip galvanized	B	2112,-	496,-	2608,-
Grid Floor, hot-dip galvanized	B	765,-	278,-	1043,-
Fixture with Safety Chain to Secure Gas Cylinders, hot-dip galvanized	B	40,-	12,-	52,-

Prices in EUR, valid EXW DE-46354 Südlohn, DE-38820 Halberstadt, unpacked
Freight charges valid CPT Ireland, islands and oversea territories excluded

Price List 0726 en-IE

Environment / Storage



Gas Cylinder Containers Type GFC-M/D-DF	Category	Price	Freight charges	Price including freight charges
Rack for Gas Cylinders GFG-2, galvanized	B	204,-	183,-	387,-
GFC-M6/D-DF, hot-dip galvanized	B	2775,-	641,-	3416,-
Fixture with Safety Chain to Secure Gas Cylinders, hot-dip galvanized	B	40,-	12,-	52,-
Rack for Gas Cylinders GFG-2, galvanized	B	204,-	183,-	387,-
Gas Cylinder Containers Type GFC-M-DF	Category	Price	Freight charges	Price including freight charges
GFC-M1-DF, hot-dip galvanized	B	1276,-	278,-	1554,-
Grid Floor, hot-dip galvanized	B	274,-	183,-	457,-
Fixture with Safety Chain to Secure Gas Cylinders, hot-dip galvanized	B	40,-	12,-	52,-
Rack for Gas Cylinders GFG-2, galvanized	B	204,-	183,-	387,-
GFC-M2-DF, hot-dip galvanized	B	1346,-	407,-	1753,-
Grid Floor, hot-dip galvanized	B	375,-	183,-	558,-
Fixture with Safety Chain to Secure Gas Cylinders, hot-dip galvanized	B	40,-	12,-	52,-
Rack for Gas Cylinders GFG-2, galvanized	B	204,-	183,-	387,-
GFC-M3-DF, hot-dip galvanized	B	1490,-	407,-	1897,-
Grid Floor, hot-dip galvanized	B	510,-	278,-	788,-
Fixture with Safety Chain to Secure Gas Cylinders, hot-dip galvanized	B	40,-	12,-	52,-
Rack for Gas Cylinders GFG-2, galvanized	B	204,-	183,-	387,-
GFC-M4-DF, hot-dip galvanized	B	1591,-	407,-	1998,-
Grid Floor, hot-dip galvanized	B	627,-	278,-	905,-
Fixture with Safety Chain to Secure Gas Cylinders, hot-dip galvanized	B	40,-	12,-	52,-
Rack for Gas Cylinders GFG-2, galvanized	B	204,-	183,-	387,-
GFC-M5-DF, hot-dip galvanized	B	1812,-	496,-	2308,-
Grid Floor, hot-dip galvanized	B	765,-	278,-	1043,-
Fixture with Safety Chain to Secure Gas Cylinders, hot-dip galvanized	B	40,-	12,-	52,-
Rack for Gas Cylinders GFG-2, galvanized	B	204,-	183,-	387,-
Gas Cylinder Depot Type GFD-G	Category	Price	Freight charges	Price including freight charges
GFD-G 1, galvanized	B	429,-	278,-	707,-
GFD-G 2, galvanized	B	790,-	278,-	1068,-
Gas Cylinder Depot Type GFD-L	Category	Price	Freight charges	Price including freight charges
GFD-L 1, galvanized	B	462,-	183,-	645,-
GFD-L 2, galvanized	B	880,-	278,-	1158,-
Gas Cylinder Depot Type GFD-R	Category	Price	Freight charges	Price including freight charges
GFD-R 2, painted	B	774,-	183,-	957,-
GFD-R 2, hot-dip galvanized	B	798,-	183,-	981,-
GFD-R 4, painted	B	879,-	183,-	1062,-
GFD-R 4, hot-dip galvanized	B	909,-	183,-	1092,-
Hazardous Materials Cabinet Type GS	Category	Price	Freight charges	Price including freight charges
GS-1, painted	B	789,-	278,-	1067,-
Intermediate Storage Level, galvanized	B	90,-	14,-	104,-
GS-1, hot-dip galvanized	B	849,-	278,-	1127,-

Prices in EUR, valid EXW DE-46354 Südlohn, DE-38820 Halberstadt, unpacked
Freight charges valid CPT Ireland, islands and oversea territories excluded

Price List 0726 en-IE

Environment / Storage



Hazardous Materials Cabinet Type GS	Category	Price	Freight charges	Price including freight charges
Intermediate Storage Level, galvanized	B	90,-	14,-	104,-
GS-2, painted	B	1049,-	407,-	1456,-
Intermediate Storage Level, galvanized	B	90,-	14,-	104,-
GS-2, hot-dip galvanized	B	1139,-	407,-	1546,-
Intermediate Storage Level, galvanized	B	90,-	14,-	104,-
GS-3, painted	B	2143,-	496,-	2639,-
GS-3, hot-dip galvanized	B	2295,-	496,-	2791,-
GS-4, painted	B	2154,-	1180,-	3334,-
GS-4, hot-dip galvanized	B	2340,-	1180,-	3520,-

Gas Cylinder Wall Bracket Type GWH	Category	Price	Freight charges	Price including freight charges
GWH 140-I, hot-dip galvanized	F	26,-	60,-	86,-
GWH 140-II, hot-dip galvanized	F	40,-	60,-	100,-
GWH 140-III, hot-dip galvanized	F	59,-	60,-	119,-
GWH 230-I, hot-dip galvanized	F	28,-	60,-	88,-
GWH 230-II, hot-dip galvanized	F	43,-	60,-	103,-
GWH 230-III, hot-dip galvanized	F	65,-	60,-	125,-
GWH 320-I, hot-dip galvanized	F	29,-	60,-	89,-
GWH 320-II, hot-dip galvanized	F	48,-	60,-	108,-
GWH 320-III, hot-dip galvanized	F	72,-	60,-	132,-

Tilting Canister Stand Type KAH	Category	Price	Freight charges	Price including freight charges
KAH-5, galvanized	A	96,-	60,-	156,-
KAH-25, galvanized	A	109,-	60,-	169,-
KAH-60, galvanized	A	140,-	60,-	200,-

Spill Tray for Canisters/Small Cans Type KGW	Category	Price	Freight charges	Price including freight charges
KGW 1, galvanized	B	92,-	60,-	152,-
KGW 1 V4A, stainless steel 1.4571	B	280,-	60,-	340,-
KGW 2, galvanized	B	96,-	60,-	156,-
KGW 2 V4A, stainless steel 1.4571	B	322,-	60,-	382,-
KGW 3, galvanized	B	100,-	60,-	160,-
KGW 3 V4A, stainless steel 1.4571	B	400,-	60,-	460,-
KGW 4, galvanized	B	117,-	183,-	300,-
KGW 4 V4A, stainless steel 1.4571	B	472,-	183,-	655,-
KGW 5, galvanized	B	161,-	183,-	344,-
KGW 5 V4A, stainless steel 1.4571	B	614,-	183,-	797,-

Spill Tray for Canisters/Small Cans Type KGW/M	Category	Price	Freight charges	Price including freight charges
KGW 1/M, galvanized	B	129,-	60,-	189,-
KGW 1/M V4A, stainless steel 1.4571	B	421,-	60,-	481,-
KGW 2/M, galvanized	B	137,-	60,-	197,-
KGW 2/M V4A, stainless steel 1.4571	B	485,-	60,-	545,-
KGW 3/M, galvanized	B	157,-	60,-	217,-
KGW 3/M V4A, stainless steel 1.4571	B	610,-	60,-	670,-

Prices in EUR, valid EXW DE-46354 Südlohn, DE-38820 Halberstadt, unpacked
Freight charges valid CPT Ireland, islands and oversea territories excluded

Price List 0726 en-IE

Environment / Storage



Spill Tray for Canisters/Small Cans Type KGW/M	Category	Price	Freight charges	Price including freight charges
KGW 4/M, galvanized	B	182,-	183,-	365,-
KGW 4/M V4A, stainless steel 1.4571	B	730,-	183,-	913,-
KGW 5/M, galvanized	B	235,-	183,-	418,-
KGW 5/M V4A, stainless steel 1.4571	B	962,-	183,-	1145,-

Spill Tray for Canisters/Small Cans on Pallets Type KGW-P	Category	Price	Freight charges	Price including freight charges
KGW-P 1, galvanized	B	98,-	60,-	158,-
KGW-P 1 V4A, stainless steel 1.4571	B	276,-	60,-	336,-
KGW-P 2, galvanized	B	147,-	60,-	207,-
KGW-P 2 V4A, stainless steel 1.4571	B	396,-	60,-	456,-
KGW-P 3, galvanized	B	185,-	183,-	368,-
KGW-P 3 V4A, stainless steel 1.4571	B	607,-	60,-	667,-
KGW-P 4, galvanized	B	175,-	60,-	235,-
KGW-P 4 V4A, stainless steel 1.4571	B	466,-	60,-	526,-

Spill Tray for Canisters/Small Cans on Pallets Type KGW-P/M	Category	Price	Freight charges	Price including freight charges
KGW-P 1/M, galvanized	B	142,-	60,-	202,-
KGW-P 1/M V4A, stainless steel 1.4571	B	399,-	60,-	459,-
KGW-P 2/M, galvanized	B	218,-	60,-	278,-
KGW-P 2/M V4A, stainless steel 1.4571	B	579,-	60,-	639,-
KGW-P 3/M, galvanized	B	265,-	183,-	448,-
KGW-P 3/M V4A, stainless steel 1.4571	B	895,-	183,-	1078,-
KGW-P 4/M, galvanized	B	250,-	183,-	433,-
KGW-P 4/M V4A, stainless steel 1.4571	B	719,-	60,-	779,-

Diesel Filling Point Type KPS	Category	Price	Freight charges	Price including freight charges
KPS 1, painted	B	2966,-	on request	on request
KPS 2, painted	B	3854,-	on request	on request
KPS 3, painted	B	5432,-	on request	on request

Polyethylene Sump Tray for Pallets Type KWP-P	Category	Price	Freight charges	Price including freight charges
KWP-P 20, made of robust polyethylene	B	48,-	60,-	108,-
Deck with Punched Holes LR-PE 20, robust polyethylene, black	B	64,-	14,-	78,-
KWP-P 30, made of robust polyethylene	B	58,-	60,-	118,-
Deck with Punched Holes LR-PE 30, robust polyethylene, black	B	66,-	14,-	80,-
KWP-P 40, made of robust polyethylene	B	65,-	60,-	125,-
Deck with Punched Holes LR-PE 40, robust polyethylene, black	B	70,-	14,-	84,-
KWP-P 60, made of robust polyethylene	B	103,-	60,-	163,-
Deck with punched holes LR-PE 60, robust polyethylene, black	B	73,-	14,-	87,-
KWP-P 100, made of robust polyethylene	B	117,-	183,-	300,-
Deck with punched holes LR-PE 100, robust polyethylene, black	B	90,-	16,-	106,-

Mobile Sump Tray with Perforated Panel Type LPW	Category	Price	Freight charges	Price including freight charges
LPW 60-1, painted	B	627,-	183,-	810,-
Tool Deposit	B	32,-	16,-	48,-

Prices in EUR, valid EXW DE-46354 Südlohn, DE-38820 Halberstadt, unpacked
 Freight charges valid CPT Ireland, islands and oversea territories excluded

Price List 0726 en-IE

Environment / Storage



Mobile Sump Tray with Perforated Panel Type LPW	Category	Price	Freight charges	Price including freight charges
Drip Tray	B	50,-	16,-	66,-
LPW 60-1, hot-dip galvanized	B	645,-	183,-	828,-
Tool Deposit	B	32,-	16,-	48,-
Drip Tray	B	50,-	16,-	66,-
LPW 60-2, painted	B	640,-	183,-	823,-
Tool Deposit	B	32,-	16,-	48,-
Drip Tray	B	50,-	16,-	66,-
LPW 60-2, hot-dip galvanized	B	661,-	183,-	844,-
Tool Deposit	B	32,-	16,-	48,-
Drip Tray	B	50,-	16,-	66,-
LPW 60-3, painted	B	646,-	183,-	829,-
Tool Deposit	B	32,-	16,-	48,-
Drip Tray	B	50,-	16,-	66,-
LPW 60-3, hot-dip galvanized	B	667,-	183,-	850,-
Tool Deposit	B	32,-	16,-	48,-
Drip Tray	B	50,-	16,-	66,-
LPW 200-1, painted	B	822,-	278,-	1100,-
Tool Deposit	B	32,-	16,-	48,-
Drip Tray	B	50,-	16,-	66,-
LPW 200-1, hot-dip galvanized	B	856,-	278,-	1134,-
Tool Deposit	B	32,-	16,-	48,-
Drip Tray	B	50,-	16,-	66,-
LPW 200-2, painted	B	863,-	278,-	1141,-
Tool Deposit	B	32,-	16,-	48,-
Drip Tray	B	50,-	16,-	66,-
LPW 200-2, hot-dip galvanized	B	899,-	278,-	1177,-
Tool Deposit	B	32,-	16,-	48,-
Drip Tray	B	50,-	16,-	66,-
LPW 200-3, painted	B	878,-	278,-	1156,-
Tool Deposit	B	32,-	16,-	48,-
Drip Tray	B	50,-	16,-	66,-
LPW 200-3, hot-dip galvanized	B	914,-	278,-	1192,-
Tool Deposit	B	32,-	16,-	48,-
Drip Tray	B	50,-	16,-	66,-
LPW 200-4, painted	B	1055,-	278,-	1333,-
LPW 200-4, hot-dip galvanized	B	1086,-	278,-	1364,-

Modular Sump Tray Type MAW	Category	Price	Freight charges	Price including freight charges
MAW, painted	B	336,-	183,-	519,-
MAW, hot-dip galvanized	B	366,-	183,-	549,-
Element No. 1: grid grate incl. supportS, painted	B	78,-	18,-	96,-
Element No. 2: galvanized handle + castors	B	138,-	19,-	157,-
Element No. 3: runners, painted	B	103,-	15,-	118,-
Element No. 3: runners, hot-dip galvanized	B	66,-	15,-	81,-
Element No. 6: surround, galvanized	B	601,-	183,-	784,-

Prices in EUR, valid EXW DE-46354 Südlohn, DE-38820 Halberstadt, unpacked
 Freight charges valid CPT Ireland, islands and oversea territories excluded

Price List 0726 en-IE

Environment / Storage



Spline Sump Type PW	Category	Price	Freight charges	Price including freight charges
PW 200-2, painted	B	245,-	183,-	428,-
PW 200-2, hot-dip galvanized	B	235,-	183,-	418,-
PW 200-4, painted	B	271,-	183,-	454,-
PW 200-4, hot-dip galvanized	B	261,-	183,-	444,-
PW 400-4, painted	B	349,-	183,-	532,-
PW 400-4, hot-dip galvanized	B	332,-	183,-	515,-

Spline Sump Type PWE	Category	Price	Freight charges	Price including freight charges
PWE 200-2, painted	B	217,-	183,-	400,-
PWE 200-2, hot-dip galvanized	B	207,-	183,-	390,-
PWE 200-4, painted	B	236,-	183,-	419,-
PWE 200-4, hot-dip galvanized	B	228,-	183,-	411,-
PWE 400-4, painted	B	288,-	183,-	471,-
PWE 400-4, hot-dip galvanized	B	278,-	183,-	461,-

Hazardous Materials Cabinet with Roller Shutter Door Type RSG	Category	Price	Freight charges	Price including freight charges
RSG-1, painted	B	1906,-	278,-	2184,-
Set of 4 Feet, height adjustable	B	80,-	9,-	89,-
RSG-2, painted	B	1920,-	278,-	2198,-
Set of 4 Feet, height adjustable	B	80,-	9,-	89,-
RSG-3, painted	B	1971,-	278,-	2249,-
Set of 4 Feet, height adjustable	B	80,-	9,-	89,-
RSG-4, painted	B	2109,-	407,-	2516,-
Set of 4 Feet, height adjustable	B	80,-	9,-	89,-

Shelf Sump with Polyethylene Inlay Type RW PE	Category	Price	Freight charges	Price including freight charges
RW 1800 PE, painted	B	1044,-	278,-	1322,-
RW 1800 PE, hot-dip galvanized	B	1100,-	278,-	1378,-
RW 2200-1 PE, painted	B	1089,-	278,-	1367,-
RW 2200-1 PE, hot-dip galvanized	B	1147,-	278,-	1425,-
RW 2200-2 PE, painted	B	1276,-	278,-	1554,-
RW 2200-2 PE, hot-dip galvanized	B	1341,-	278,-	1619,-
RW 2700-1 PE, painted	B	1108,-	331,-	1439,-
RW 2700-1 PE, hot-dip galvanized	B	1192,-	331,-	1523,-
RW 2700-2 PE, painted	B	1266,-	331,-	1597,-
RW 2700-2 PE, hot-dip galvanized	B	1365,-	331,-	1696,-
RW 2700-3 PE, painted	B	1466,-	331,-	1797,-
RW 2700-3 PE, hot-dip galvanized	B	1592,-	331,-	1923,-
RW 3300-1 PE, painted	B	1417,-	331,-	1748,-
RW 3300-1 PE, hot-dip galvanized	B	1510,-	331,-	1841,-
RW 3300-2 PE, painted	B	1535,-	331,-	1866,-
RW 3300-2 PE, hot-dip galvanized	B	1637,-	331,-	1968,-
RW 3300-3 PE, painted	B	1738,-	459,-	2197,-
RW 3300-3 PE, hot-dip galvanized	B	1850,-	459,-	2309,-

Prices in EUR, valid EXW DE-46354 Südlohn, DE-38820 Halberstadt, unpacked
Freight charges valid CPT Ireland, islands and oversea territories excluded

Price List 0726 en-IE

Environment / Storage



Shelf Sump Type RW	Category	Price	Freight charges	Price including freight charges
RW 1800, painted	B	507,-	183,-	690,-
RW 1800, hot-dip galvanized	B	561,-	183,-	744,-
RW 2200-1, painted	B	519,-	183,-	702,-
RW 2200-1, hot-dip galvanized	B	577,-	183,-	760,-
RW 2200-2, painted	B	532,-	278,-	810,-
RW 2200-2, hot-dip galvanized	B	597,-	278,-	875,-
RW 2700-1, painted	B	528,-	331,-	859,-
RW 2700-1, hot-dip galvanized	B	611,-	331,-	942,-
RW 2700-2, painted	B	607,-	331,-	938,-
RW 2700-2, hot-dip galvanized	B	706,-	331,-	1037,-
RW 2700-3, painted	B	657,-	331,-	988,-
RW 2700-3, hot-dip galvanized	B	781,-	331,-	1112,-
RW 3300-1, painted	B	680,-	331,-	1011,-
RW 3300-1, hot-dip galvanized	B	774,-	331,-	1105,-
RW 3300-2, painted	B	748,-	331,-	1079,-
RW 3300-2, hot-dip galvanized	B	850,-	331,-	1181,-
RW 3300-3, painted	B	834,-	331,-	1165,-
RW 3300-3, hot-dip galvanized	B	945,-	331,-	1276,-

Shelf Sump with Polyethylene Inlay Type RW-GR PE	Category	Price	Freight charges	Price including freight charges
RW-GR 1800 PE, painted	B	1178,-	278,-	1456,-
RW-GR 1800 PE, hot-dip galvanized	B	1231,-	278,-	1509,-
RW-GR 2200-1 PE, painted	B	1255,-	278,-	1533,-
RW-GR 2200-1 PE, hot-dip galvanized	B	1313,-	278,-	1591,-
RW-GR 2200-2 PE, painted	B	1443,-	407,-	1850,-
RW-GR 2200-2 PE, hot-dip galvanized	B	1505,-	407,-	1912,-
RW-GR 2700-1 PE, painted	B	1313,-	459,-	1772,-
RW-GR 2700-1 PE, hot-dip galvanized	B	1395,-	459,-	1854,-
RW-GR 2700-2 PE, painted	B	1469,-	459,-	1928,-
RW-GR 2700-2 PE, hot-dip galvanized	B	1570,-	459,-	2029,-
RW-GR 2700-3 PE, painted	B	1671,-	459,-	2130,-
RW-GR 2700-3 PE, hot-dip galvanized	B	1776,-	459,-	2235,-
RW-GR 3300-1 PE, painted	B	1790,-	459,-	2249,-
RW-GR 3300-1 PE, hot-dip galvanized	B	1882,-	459,-	2341,-
RW-GR 3300-2 PE, painted	B	1906,-	459,-	2365,-
RW-GR 3300-2 PE, hot-dip galvanized	B	2018,-	459,-	2477,-
RW-GR 3300-3 PE, painted	B	2110,-	549,-	2659,-
RW-GR 3300-3 PE, hot-dip galvanized	B	2222,-	549,-	2771,-
RW-GR 3600-3 PE, painted	B	2428,-	559,-	2987,-
RW-GR 3600-3 PE, hot-dip galvanized	B	2580,-	559,-	3139,-

Shelf Sump Type RW-GR	Category	Price	Freight charges	Price including freight charges
RW-GR 1800, painted	B	641,-	278,-	919,-
RW-GR 1800, hot-dip galvanized	B	696,-	278,-	974,-
RW-GR 2200-1, painted	B	686,-	278,-	964,-

Prices in EUR, valid EXW DE-46354 Südlohn, DE-38820 Halberstadt, unpacked
Freight charges valid CPT Ireland, islands and oversea territories excluded

Price List 0726 en-IE

Environment / Storage



Shelf Sump Type RW-GR	Category	Price	Freight charges	Price including freight charges
RW-GR 2200-1, hot-dip galvanized	B	745,-	278,-	1023,-
RW-GR 2200-2, painted	B	700,-	407,-	1107,-
RW-GR 2200-2, hot-dip galvanized	B	761,-	407,-	1168,-
RW-GR 2700-1, painted	B	732,-	331,-	1063,-
RW-GR 2700-1, hot-dip galvanized	B	815,-	459,-	1274,-
RW-GR 2700-2, painted	B	811,-	459,-	1270,-
RW-GR 2700-2, hot-dip galvanized	B	911,-	459,-	1370,-
RW-GR 2700-3, painted	B	861,-	459,-	1320,-
RW-GR 2700-3, hot-dip galvanized	B	966,-	459,-	1425,-
RW-GR 3300-1, painted	B	1052,-	459,-	1511,-
RW-GR 3300-1, hot-dip galvanized	B	1146,-	459,-	1605,-
RW-GR 3300-2, painted	B	1119,-	459,-	1578,-
RW-GR 3300-2, hot-dip galvanized	B	1230,-	459,-	1689,-
RW-GR 3300-3, painted	B	1206,-	459,-	1665,-
RW-GR 3300-3, hot-dip galvanized	B	1317,-	459,-	1776,-
RW-GR 3600-3, painted	B	1330,-	459,-	1789,-
RW-GR 3600-3, hot-dip galvanized	B	1483,-	459,-	1942,-

Safety Cabinet Type SIW	Category	Price	Freight charges	Price including freight charges
SIW 1005	B	596,-	183,-	779,-
SIW 2005	B	751,-	278,-	1029,-

Diesel Filling Point Type TAW	Category	Price	Freight charges	Price including freight charges
TAW 1, painted	B	2448,-	on request	on request
TAW 2, painted	B	3195,-	on request	on request
TAW 3, painted	B	4603,-	on request	on request

Environmental Shelf Type UR	Category	Price	Freight charges	Price including freight charges
UR-G 2200, painted	B	1827,-	470,-	2297,-
Grid Set, hot-dip galvanized	B	198,-	183,-	381,-
Crash Guard	B	75,-	9,-	84,-
UR-G 2700, painted	B	1968,-	470,-	2438,-
Grid Set, hot-dip galvanized	B	245,-	183,-	428,-
Crash Guard	B	75,-	9,-	84,-
UR-G 3300, painted	B	2749,-	549,-	3298,-
Grid Set, hot-dip galvanized	B	297,-	183,-	480,-
Crash Guard	B	75,-	9,-	84,-
UR-A 2200, painted	B	1395,-	470,-	1865,-
Grid Set, hot-dip galvanized	B	198,-	183,-	381,-
Crash Guard	B	75,-	9,-	84,-
UR-A 2700, painted	B	1535,-	470,-	2005,-
Grid Set, hot-dip galvanized	B	245,-	183,-	428,-
Crash Guard	B	75,-	9,-	84,-
UR-A 3300, painted	B	2317,-	549,-	2866,-
Grid Set, hot-dip galvanized	B	297,-	183,-	480,-

Prices in EUR, valid EXW DE-46354 Südlohn, DE-38820 Halberstadt, unpacked
 Freight charges valid CPT Ireland, islands and oversea territories excluded

Price List 0726 en-IE

Environment / Storage



Environmental Shelve Type UR	Category	Price	Freight charges	Price including freight charges
Crash Guard	B	75,-	9,-	84,-

Stainless Steel Sump Tray Type VAW	Category	Price	Freight charges	Price including freight charges
VAW-1, stainless steel 1.4571	B	990,-	183,-	1173,-
Grid, stainless steel 1.4571	B	494,-	14,-	508,-
Grid, hot-dip galvanized	B	71,-	14,-	85,-
VAW-2, stainless steel 1.4571	B	1079,-	183,-	1262,-
Grid, stainless steel 1.4571	B	731,-	16,-	747,-
Grid, hot-dip galvanized	B	95,-	38,-	133,-
VAW-4/A, stainless steel 1.4571	B	1236,-	183,-	1419,-
Grid, stainless steel 1.4571	B	1061,-	22,-	1083,-
Grid, hot-dip galvanized	B	124,-	22,-	146,-
VAW-4/B, stainless steel 1.4571	B	1511,-	183,-	1694,-
Grid, stainless steel 1.4571	B	1461,-	27,-	1488,-
Grid, hot-dip galvanized	B	169,-	27,-	196,-
VAW 1000 (Stainless Steel Grid), stainless steel 1.4571	B	3909,-	306,-	4215,-
VAW 1000 (Hot-dip Galvanized Grid), stainless steel 1.4571	B	2868,-	306,-	3174,-
VAW 1000-2 (Stainless Steel Grid), stainless steel 1.4571	B	5472,-	514,-	5986,-
VAW 1000-2 (Hot-dip Galvanized Grid), stainless steel 1.4571	B	3561,-	514,-	4075,-

Heating Chamber Type WK	Category	Price	Freight charges	Price including freight charges
WK 29-2 E65, painted	C	30688,-	on request	on request
WK 29-2 E85, painted	C	30859,-	on request	on request
WK 57-2 E65, painted	C	43080,-	on request	on request
WK 57-2 E85, painted	C	45540,-	on request	on request

Sump Tray Type WM	Category	Price	Freight charges	Price including freight charges
WM-2/200, hot-dip galvanized	B	290,-	183,-	473,-
Drum Support FA 60-1, hot-dip galvanized	B	109,-	15,-	124,-
Drum Support FA 60-2, hot-dip galvanized	B	118,-	18,-	136,-
Drum Support FA 60-3, hot-dip galvanized	B	138,-	21,-	159,-
Drum Support FA 200-1, hot-dip galvanized	B	118,-	15,-	133,-
Can Shelf Type GR-A, galvanized	B	138,-	60,-	198,-
Can Shelf Type GR-B, galvanized	B	138,-	60,-	198,-
Can Shelf Type GR-C, galvanized	B	138,-	60,-	198,-
WM-4/200, hot-dip galvanized	B	330,-	183,-	513,-
Drum Support FA 60-1, hot-dip galvanized	B	109,-	15,-	124,-
Drum Support FA 60-2, hot-dip galvanized	B	118,-	18,-	136,-
Drum Support FA 60-3, hot-dip galvanized	B	138,-	21,-	159,-
Drum Support FA 200-1, hot-dip galvanized	B	118,-	15,-	133,-
Drum Support FA 200-2, hot-dip galvanized	B	138,-	22,-	160,-
Can Shelf Type GR-A, galvanized	B	138,-	60,-	198,-
Can Shelf Type GR-B, galvanized	B	138,-	60,-	198,-
Can Shelf Type GR-C, galvanized	B	138,-	60,-	198,-
WM-4/400, hot-dip galvanized	B	396,-	278,-	674,-

Prices in EUR, valid EXW DE-46354 Südlohn, DE-38820 Halberstadt, unpacked
Freight charges valid CPT Ireland, islands and oversea territories excluded

Price List 0726 en-IE

Environment / Storage



Sump Tray Type WO	Category	Price	Freight charges	Price including freight charges
WO-2/200, hot-dip galvanized	B	221,-	183,-	404,-
WO-4/200, hot-dip galvanized	B	240,-	183,-	423,-
WO-4/400, hot-dip galvanized	B	309,-	183,-	492,-
Polyethylene Sump Pallet Type WP	Category	Price	Freight charges	Price including freight charges
WP 1/11, made of robust polyethylene	B	1089,-	183,-	1272,-
WP 2/11, made of robust polyethylene	B	1377,-	183,-	1560,-
Dispensing Tray VB 2, robust polyethylene, blue	B	158,-	60,-	218,-
Polyethylene Sump Pallet Type WPA-PE	Category	Price	Freight charges	Price including freight charges
WPA-PE 2/2, made of robust polyethylene	B	324,-	183,-	507,-
WPA-PE 4/2, made of robust polyethylene	B	512,-	183,-	695,-
Polyethylene Sump Pallet Type WP-PE	Category	Price	Freight charges	Price including freight charges
WP-PE 1/11, made of robust polyethylene	B	1179,-	183,-	1362,-
Dispensing Tray VB 1, robust polyethylene, blue	B	169,-	60,-	229,-
WP-PE 2/11, made of robust polyethylene	B	1560,-	331,-	1891,-
Dispensing Tray VB 2, robust polyethylene, blue	B	158,-	60,-	218,-
WP-PE 2/2, made of robust polyethylene	B	301,-	183,-	484,-
WP-PE 4/2, made of robust polyethylene	B	469,-	183,-	652,-
WP-PE 4/4, made of robust polyethylene	B	487,-	183,-	670,-
WP-PE 8/11, made of robust polyethylene	B	1560,-	331,-	1891,-
Mobile Polyethylene Sump Tray Type WPT	Category	Price	Freight charges	Price including freight charges
WPT 230, made of robust polyethylene	B	538,-	183,-	721,-

Prices in EUR, valid EXW DE-46354 Südlohn, DE-38820 Halberstadt, unpacked
Freight charges valid CPT Ireland, islands and oversea territories excluded

Price List 0726 en-IE

Hazardous Materials Containers

Fluorescent Tube Box Type AL-D	Category	Price	Freight charges	Price including freight charges
AL-D 150, aluminium	C	518,-	183,-	701,-
AL-D 200, aluminium	C	571,-	183,-	754,-
Collecting Container Type ASB	Category	Price	Freight charges	Price including freight charges
ASB 250, hot-dip galvanized	C	2038,-	407,-	2445,-
ASB 450-I, hot-dip galvanized	C	2155,-	407,-	2562,-
Special Waste Container Type ASK	Category	Price	Freight charges	Price including freight charges
ASK 540-4, hot-dip galvanized	C	on request	on request	on request
Duo-Container Type DC	Category	Price	Freight charges	Price including freight charges
DC 450, hot-dip galvanized	C	2347,-	on request	on request
Stainless steel strainer	D	118,-	9,-	127,-
Wing nut spanner for M12, hot-dip galvanized	F	35,-	15,-	50,-
DC 1000, hot-dip galvanized	C	2493,-	on request	on request
Stainless steel strainer	D	118,-	9,-	127,-
Wing nut spanner for M12, hot-dip galvanized	F	35,-	15,-	50,-
Lithium-Ion Storage Container Type LIL	Category	Price	Freight charges	Price including freight charges
LIL 30, hot-dip galvanized	B	1937,-	183,-	2120,-
LIL 90, hot-dip galvanized	B	2816,-	278,-	3094,-
Castor Set, polyamide, Load capacity 1050 kg / castor set	A	156,-	15,-	171,-
LIL 220, hot-dip galvanized	B	4864,-	407,-	5271,-
Castor Set, polyamide, Load capacity 1050 kg / castor set	A	156,-	15,-	171,-
LIL 280, hot-dip galvanized	B	5884,-	407,-	6291,-
Castor Set, polyamide, Load capacity 1050 kg / castor set	A	156,-	15,-	171,-
LIL 340, hot-dip galvanized	B	6792,-	407,-	7199,-
Castor Set, polyamide, Load capacity 1050 kg / castor set	A	156,-	15,-	171,-
MobiCont Type M 800	Category	Price	Freight charges	Price including freight charges
M 800, painted	C	1389,-	407,-	1796,-
Level Indicator	C	220,-	9,-	229,-
Funnel for filling, PP	D	68,-	9,-	77,-
Filling/Extraction lid	C	68,-	9,-	77,-
Lid, galvanized, without a lock	C	195,-	15,-	210,-
Lid, galvanized, with square lock	C	242,-	18,-	260,-
Lid, galvanized, with cylinder lock	C	242,-	18,-	260,-
Castor Set, polyamide, Load capacity 1350 kg / castor set	A	192,-	15,-	207,-
Hand Pump K 10 C, connects to drum thread, suitable for fuels and heating fuel	C	95,-	14,-	109,-
Hose Kit (1.5 m) for Hand Pump Type K 10 C, suitable for diesel and fuel	C	68,-	14,-	82,-
Hose Kit (3 m) for Hand Pump Type K 10 C, suitable for diesel and fuel	C	96,-	15,-	111,-

Prices in EUR, valid EXW DE-46354 Südlohn, DE-38820 Halberstadt, unpacked
Freight charges valid CPT Ireland, islands and oversea territories excluded

Price List 0726 en-IE

Hazardous Materials Containers



MobiCont Type M 800	Category	Price	Freight charges	Price including freight charges
Hose Kit (4 m) for Hand Pump Type K 10 C, suitable for diesel and fuel	C	109,-	15,-	124,-
Electric Pump TecPump 400 DC 12V	C	510,-	15,-	525,-
Electric Pump TecPump 400 DC 24V	C	510,-	15,-	525,-
Electric Pump TecPump 600 AC 230V	C	510,-	15,-	525,-
M 800, hot-dip galvanized	C	1483,-	407,-	1890,-
Level Indicator	C	220,-	9,-	229,-
Funnel for filling, PP	D	68,-	9,-	77,-
Filling/Extraction lid	C	68,-	9,-	77,-
Lid, galvanized, without a lock	C	195,-	15,-	210,-
Lid, galvanized, with square lock	C	242,-	18,-	260,-
Lid, galvanized, with cylinder lock	C	242,-	18,-	260,-
Castor Set, polyamide, Load capacity 1350 kg / castor set	A	192,-	15,-	207,-
Hand Pump K 10 C, connects to drum thread, suitable for fuels and heating fuel	C	95,-	14,-	109,-
Hose Kit (1.5 m) for Hand Pump Type K 10 C, suitable for diesel and fuel	C	68,-	14,-	82,-
Hose Kit (3 m) for Hand Pump Type K 10 C, suitable for diesel and fuel	C	96,-	15,-	111,-
Hose Kit (4 m) for Hand Pump Type K 10 C, suitable for diesel and fuel	C	109,-	15,-	124,-
Electric Pump TecPump 400 DC 12V	C	510,-	15,-	525,-
Electric Pump TecPump 400 DC 24V	C	510,-	15,-	525,-
Electric Pump TecPump 600 AC 230V	C	510,-	15,-	525,-
MobiCont Type MD	Category	Price	Freight charges	Price including freight charges
MD 800, painted	C	1934,-	407,-	2341,-
Level Indicator	C	220,-	9,-	229,-
Hand Pump K 10 C, connects to drum thread, suitable for fuels and heating fuel	C	95,-	14,-	109,-
Hose Kit (1.5 m) for Hand Pump Type K 10 C, suitable for diesel and fuel	C	68,-	14,-	82,-
Hose Kit (3 m) for Hand Pump Type K 10 C, suitable for diesel and fuel	C	96,-	15,-	111,-
Hose Kit (4 m) for Hand Pump Type K 10 C, suitable for diesel and fuel	C	109,-	15,-	124,-
Electric Pump TecPump 400 DC 12V	C	510,-	15,-	525,-
Electric Pump TecPump 400 DC 24V	C	510,-	15,-	525,-
Electric Pump TecPump 600 AC 230V	C	510,-	15,-	525,-
MD 800, hot-dip galvanized	C	2025,-	407,-	2432,-
Level Indicator	C	220,-	9,-	229,-
Hand Pump K 10 C, connects to drum thread, suitable for fuels and heating fuel	C	95,-	14,-	109,-
Hose Kit (1.5 m) for Hand Pump Type K 10 C, suitable for diesel and fuel	C	68,-	14,-	82,-
Hose Kit (3 m) for Hand Pump Type K 10 C, suitable for diesel and fuel	C	96,-	15,-	111,-
Hose Kit (4 m) for Hand Pump Type K 10 C, suitable for diesel and fuel	C	109,-	15,-	124,-
Electric Pump TecPump 400 DC 12V	C	510,-	15,-	525,-
Electric Pump TecPump 400 DC 24V	C	510,-	15,-	525,-
Electric Pump TecPump 600 AC 230V	C	510,-	15,-	525,-
MobiCont Type MO	Category	Price	Freight charges	Price including freight charges
MO 800, painted	C	on request	on request	on request
Level Indicator	C	220,-	9,-	229,-
MO 800, hot-dip galvanized	C	on request	on request	on request
Level Indicator	C	220,-	9,-	229,-

Prices in EUR, valid EXW DE-46354 Südlohn, DE-38820 Halberstadt, unpacked
Freight charges valid CPT Ireland, islands and oversea territories excluded

Price List 0726 en-IE

Hazardous Materials Containers



Fuel Container Type MT	Category	Price	Freight charges	Price including freight charges
MT 450, hot-dip galvanized	C	2223,-	407,-	2630,-
Level Indicator	C	220,-	9,-	229,-
Hand Pump K 10 C, connects to drum thread, suitable for fuels and heating fuel	C	95,-	14,-	109,-
Digital Flow Counter FMT 3 with screwed joints	C	320,-	9,-	329,-
Electric Pump TecPump 400 DC 12V	C	510,-	12,-	522,-
Electric Pump TecPump 400 DC 24V	C	510,-	12,-	522,-
Electric Pump TecPump 600 AC 230V	C	510,-	12,-	522,-
Counter Z 400, Retrofit Kit for Electric Pumps TecPump 400 DC 12V, 400 DC 24V and 600 AC 230V	C	159,-	9,-	168,-
MT 600, hot-dip galvanized	C	2644,-	407,-	3051,-
Level Indicator	C	220,-	9,-	229,-
Hand Pump K 10 C, connects to drum thread, suitable for fuels and heating fuel	C	95,-	14,-	109,-
Digital Flow Counter FMT 3 with screwed joints	C	320,-	9,-	329,-
Electric Pump TecPump 400 DC 12V	C	510,-	12,-	522,-
Electric Pump TecPump 400 DC 24V	C	510,-	12,-	522,-
Electric Pump TecPump 600 AC 230V	C	510,-	12,-	522,-
Counter Z 400, Retrofit Kit for Electric Pumps TecPump 400 DC 12V, 400 DC 24V and 600 AC 230V	C	159,-	9,-	168,-
MT 1000, hot-dip galvanized	C	2858,-	496,-	3354,-
Level Indicator	C	220,-	9,-	229,-
Hand Pump K 10 C, connects to drum thread, suitable for fuels and heating fuel	C	95,-	14,-	109,-
Digital Flow Counter FMT 3 with screwed joints	C	320,-	9,-	329,-
Electric Pump TecPump 400 DC 12V	C	510,-	12,-	522,-
Electric Pump TecPump 400 DC 24V	C	510,-	12,-	522,-
Electric Pump TecPump 600 AC 230V	C	510,-	12,-	522,-
Counter Z 400, Retrofit Kit for Electric Pumps TecPump 400 DC 12V, 400 DC 24V and 600 AC 230V	C	159,-	9,-	168,-
MobiCont Type MW	Category	Price	Freight charges	Price including freight charges
MW 800, painted	C	1783,-	407,-	2190,-
Level Indicator	C	220,-	9,-	229,-
Filling coupling	C	53,-	8,-	61,-
Tank heating, 220 W	C	384,-	12,-	396,-
Tank fitting	B	67,-	9,-	76,-
Anti-siphon valve	D	71,-	8,-	79,-
Aeration/Vent valve	C	27,-	8,-	35,-
MW 800, hot-dip galvanized	C	1877,-	407,-	2284,-
Level Indicator	C	220,-	9,-	229,-
Filling coupling	C	53,-	8,-	61,-
Tank heating, 220 W	C	384,-	12,-	396,-
Tank fitting	B	67,-	9,-	76,-
Anti-siphon valve	D	71,-	8,-	79,-
Aeration/Vent valve	C	27,-	8,-	35,-
Special Waste Container Type SAF	Category	Price	Freight charges	Price including freight charges
SAF 450, hot-dip galvanized	C	1136,-	on request	on request
SAF 600, hot-dip galvanized	C	1136,-	on request	on request
SAF 1000, hot-dip galvanized	C	1136,-	on request	on request

Prices in EUR, valid EXW DE-46354 Südlohn, DE-38820 Halberstadt, unpacked
Freight charges valid CPT Ireland, islands and oversea territories excluded

Price List 0726 en-IE

Hazardous Materials Containers



Large Salvage Packaging Type SAG	Category	Price	Freight charges	Price including freight charges
SAG 800, hot-dip galvanized	C	1141,-	407,-	1548,-
SAG 1500, hot-dip galvanized	C	2151,-	on request	on request
Polyethylene sacks, 25 pieces on roll	C	187,-	41,-	228,-
SAG 2100, hot-dip galvanized	C	2257,-	on request	on request
Polyethylene sacks, 25 pieces on roll	C	187,-	41,-	228,-
SAG 2700, hot-dip galvanized	C	2331,-	on request	on request
Polyethylene sacks, 25 pieces on roll	C	187,-	41,-	228,-

Special Waste Container Type SAP	Category	Price	Freight charges	Price including freight charges
SAP 450, hot-dip galvanized	C	953,-	on request	on request
Polyethylene sacks, 50 pieces on roll - 0,085 mm	C	139,-	62,-	201,-
Polyethylene sacks, 50 pieces on roll - 0,16 mm	C	246,-	183,-	429,-
SAP 600, hot-dip galvanized	C	953,-	on request	on request
Polyethylene sacks, 50 pieces on roll - 0,085 mm	C	139,-	62,-	201,-
Polyethylene sacks, 50 pieces on roll - 0,16 mm	C	246,-	183,-	429,-
SAP 800, hot-dip galvanized	C	953,-	on request	on request
Polyethylene sacks, 50 pieces on roll - 0,085 mm	C	139,-	62,-	201,-
Polyethylene sacks, 50 pieces on roll - 0,16 mm	C	246,-	183,-	429,-

Special Waste Container Type SAP-1	Category	Price	Freight charges	Price including freight charges
SAP 450-1, hot-dip galvanized	C	891,-	on request	on request
Polyethylene sacks, 50 pieces on roll - 0,085 mm	C	139,-	62,-	201,-
Polyethylene sacks, 50 pieces on roll - 0,16 mm	C	246,-	183,-	429,-
SAP 600-1, hot-dip galvanized	C	891,-	on request	on request
Polyethylene sacks, 50 pieces on roll - 0,085 mm	C	139,-	62,-	201,-
Polyethylene sacks, 50 pieces on roll - 0,16 mm	C	246,-	183,-	429,-
SAP 800-1, hot-dip galvanized	C	891,-	on request	on request
Polyethylene sacks, 50 pieces on roll - 0,085 mm	C	139,-	62,-	201,-
Polyethylene sacks, 50 pieces on roll - 0,16 mm	C	246,-	183,-	429,-
SAP 800-3, hot-dip galvanized	C	874,-	on request	on request
Polyethylene sacks, 50 pieces on roll - 0,085 mm	C	139,-	62,-	201,-
Polyethylene sacks, 50 pieces on roll - 0,16 mm	C	246,-	183,-	429,-

Used Battery Container Type SAP 600 K	Category	Price	Freight charges	Price including freight charges
SAP 600 K, hot-dip galvanized	C	1286,-	on request	on request

Used Battery Container Type SAP 601 K	Category	Price	Freight charges	Price including freight charges
SAP 601 K, hot-dip galvanized	C	1141,-	on request	on request

Special Waste Container Type SAS	Category	Price	Freight charges	Price including freight charges
SAS 800, hot-dip galvanized	C	963,-	on request	on request

Hazardous Materials Container Type SF	Category	Price	Freight charges	Price including freight charges
SF 240, hot-dip galvanized	C	on request	on request	on request

Prices in EUR, valid EXW DE-46354 Südlohn, DE-38820 Halberstadt, unpacked
 Freight charges valid CPT Ireland, islands and oversea territories excluded

Price List 0726 en-IE

Hazardous Materials Containers



Fluorescent Tube Box Type SL	Category	Price	Freight charges	Price including freight charges
SL 150, painted	C	688,-	278,-	966,-
SL 150, hot-dip galvanized	C	822,-	278,-	1100,-
SL 200, painted	C	766,-	278,-	1044,-
SL 200, hot-dip galvanized	C	902,-	407,-	1309,-
Fluorescent Tube Box Type SL-D	Category	Price	Freight charges	Price including freight charges
SL-D 150, painted	C	757,-	278,-	1035,-
Removable Tray, galvanized	C	87,-	10,-	97,-
SL-D 150, hot-dip galvanized	C	880,-	278,-	1158,-
Removable Tray, galvanized	C	87,-	10,-	97,-
SL-D 200, painted	C	837,-	278,-	1115,-
Removable Tray, galvanized	C	87,-	10,-	97,-
SL-D 200, hot-dip galvanized	C	973,-	278,-	1251,-
Removable Tray, galvanized	C	87,-	10,-	97,-
Fluorescent Tube Box Type SL-N	Category	Price	Freight charges	Price including freight charges
SL-N 220, painted	C	861,-	278,-	1139,-
SL-N 220, hot-dip galvanized	C	1003,-	278,-	1281,-
Special Waste Container Type SP	Category	Price	Freight charges	Price including freight charges
SP 100, hot-dip galvanized	C	on request	on request	on request
SP 240, hot-dip galvanized	C	on request	on request	on request
Transport Box for Aerosol Cans Type STB	Category	Price	Freight charges	Price including freight charges
STB 1000, hot-dip galvanized	C	1158,-	on request	on request
Polyethylene sacks, 50 pieces on roll	C	192,-	62,-	254,-
Absorbent felt, 100 pieces	C	366,-	60,-	426,-

Prices in EUR, valid EXW DE-46354 Südlohn, DE-38820 Halberstadt, unpacked
Freight charges valid CPT Ireland, islands and oversea territories excluded