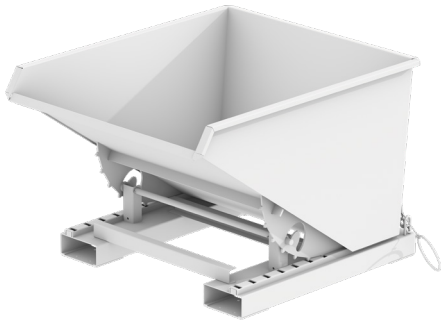


...made by



PRICE LIST 0726 EN-PT

FORKLIFT TRUCK ATTACHMENTS

WORKSPACE MATERIAL HANDLING

ENVIRONMENT / STORAGE

HAZARDOUS MATERIALS CONTAINERS

INNOVATION – CONSTRUCTION – PRODUCTION

... since 1966

Price List 0726 en-PT Forklift Truck Attachments

Drum Gripper Type 3P	Category	Price	Freight charges	Price including freight charges
3P, painted	B	942,-	141,-	1083,-
3P, hot-dip galvanized	B	990,-	141,-	1131,-

Tilting Container Type 3S	Category	Price	Freight charges	Price including freight charges
3S 300, painted	A	1244,-	225,-	1469,-
Lid, galvanized	A	174,-	18,-	192,-
Castor Set, polyamide, Load capacity 1050 kg / castor set	A	136,-	15,-	151,-
3S 300, hot-dip galvanized	A	1342,-	327,-	1669,-
Lid, galvanized	A	174,-	18,-	192,-
Castor Set, polyamide, Load capacity 1050 kg / castor set	A	136,-	15,-	151,-
3S 600, painted	A	1300,-	327,-	1627,-
Lid, galvanized	A	196,-	22,-	218,-
Castor Set, polyamide, Load capacity 1050 kg / castor set	A	136,-	15,-	151,-
3S 600, hot-dip galvanized	A	1402,-	327,-	1729,-
Lid, galvanized	A	196,-	22,-	218,-
Castor Set, polyamide, Load capacity 1050 kg / castor set	A	136,-	15,-	151,-

Automatic Tilting Container Type 4A	Category	Price	Freight charges	Price including freight charges
4A 600, painted	A	1103,-	225,-	1328,-
Lid, galvanized	A	196,-	22,-	218,-
Skip Body Welded Oil and Watertight	A	78,-	0,-	78,-
4A 600, hot-dip galvanized	A	1250,-	225,-	1475,-
Lid, galvanized	A	196,-	22,-	218,-
Skip Body Welded Oil and Watertight	A	78,-	0,-	78,-
4A 900, painted	A	1239,-	327,-	1566,-
Lid, galvanized	A	223,-	27,-	250,-
Skip Body Welded Oil and Watertight	A	78,-	0,-	78,-
4A 900, hot-dip galvanized	A	1424,-	327,-	1751,-
Lid, galvanized	A	223,-	27,-	250,-
Skip Body Welded Oil and Watertight	A	78,-	0,-	78,-
4A 1200, painted	A	1327,-	327,-	1654,-
Lid, galvanized	A	223,-	26,-	249,-
Skip Body Welded Oil and Watertight	A	121,-	0,-	121,-
4A 1200, hot-dip galvanized	A	1558,-	327,-	1885,-
Lid, galvanized	A	223,-	26,-	249,-
Skip Body Welded Oil and Watertight	A	121,-	0,-	121,-

Drum Gripper Type 4P	Category	Price	Freight charges	Price including freight charges
4P, painted	B	578,-	60,-	638,-
4P, hot-dip galvanized	B	551,-	60,-	611,-

Prices in EUR, valid EXW DE-46354 Südlohn, DE-38820 Halberstadt, unpacked
Freight charges valid CPT Portugal, islands and oversea territories excluded

Price List 0726 en-PT

Forklift Truck Attachments



Drum Gripper Type 4P-D	Category	Price	Freight charges	Price including freight charges
4P-D120, painted	B	578,-	60,-	638,-
4P-D120, hot-dip galvanized	B	551,-	60,-	611,-
4P-D220, painted	B	578,-	60,-	638,-
4P-D220, hot-dip galvanized	B	551,-	60,-	611,-

Tilting Container Type AK	Category	Price	Freight charges	Price including freight charges
AK 50, painted	A	802,-	225,-	1027,-
Lid, galvanized	A	140,-	16,-	156,-
Castor Set, polyamide, Load capacity 1050 kg / castor set	A	136,-	15,-	151,-
Skip Body Welded Oil and Watertight	A	78,-	0,-	78,-
AK 50, hot-dip galvanized	A	956,-	225,-	1181,-
Lid, galvanized	A	140,-	16,-	156,-
Castor Set, polyamide, Load capacity 1050 kg / castor set	A	136,-	15,-	151,-
Skip Body Welded Oil and Watertight	A	78,-	0,-	78,-
AK 75, painted	A	897,-	225,-	1122,-
Lid, galvanized	A	192,-	21,-	213,-
Castor Set, polyamide, Load capacity 1050 kg / castor set	A	136,-	15,-	151,-
Skip Body Welded Oil and Watertight	A	78,-	0,-	78,-
AK 75, hot-dip galvanized	A	1048,-	327,-	1375,-
Lid, galvanized	A	192,-	21,-	213,-
Castor Set, polyamide, Load capacity 1050 kg / castor set	A	136,-	15,-	151,-
Skip Body Welded Oil and Watertight	A	78,-	0,-	78,-
AK 100, painted	A	970,-	327,-	1297,-
Lid, galvanized	A	218,-	26,-	244,-
Castor Set, polyamide, Load capacity 1050 kg / castor set	A	136,-	15,-	151,-
Skip Body Welded Oil and Watertight	A	121,-	0,-	121,-
AK 100, hot-dip galvanized	A	1133,-	327,-	1460,-
Lid, galvanized	A	218,-	26,-	244,-
Castor Set, polyamide, Load capacity 1050 kg / castor set	A	136,-	15,-	151,-
Skip Body Welded Oil and Watertight	A	121,-	0,-	121,-
AK 150, painted	A	1238,-	327,-	1565,-
Lid, galvanized	A	305,-	28,-	333,-
Castor Set, polyamide, Load capacity 1050 kg / castor set	A	136,-	15,-	151,-
Skip Body Welded Oil and Watertight	A	121,-	0,-	121,-
AK 150, hot-dip galvanized	A	1448,-	327,-	1775,-
Lid, galvanized	A	305,-	28,-	333,-
Castor Set, polyamide, Load capacity 1050 kg / castor set	A	136,-	15,-	151,-
Skip Body Welded Oil and Watertight	A	121,-	0,-	121,-

Container for Building Materials Type BBG	Category	Price	Freight charges	Price including freight charges
BBG 100, painted	A	405,-	225,-	630,-
Lid, galvanized	A	189,-	141,-	330,-
BBG 100, hot-dip galvanized	A	496,-	225,-	721,-
Lid, galvanized	A	189,-	141,-	330,-

Prices in EUR, valid EXW DE-46354 Südlohn, DE-38820 Halberstadt, unpacked
 Freight charges valid CPT Portugal, islands and oversea territories excluded

Price List 0726 en-PT

Forklift Truck Attachments



Container for Building Materials Type BBK	Category	Price	Freight charges	Price including freight charges
BBK 100, painted	A	496,-	225,-	721,-
Lid, galvanized	A	189,-	141,-	330,-
BBK 100, hot-dip galvanized	A	571,-	225,-	796,-
Lid, galvanized	A	189,-	141,-	330,-
Material Container Type BBM	Category	Price	Freight charges	Price including freight charges
BBM 500, painted	A	325,-	141,-	466,-
BBM 500, hot-dip galvanized	A	359,-	141,-	500,-
Container for Building Materials Type BBP	Category	Price	Freight charges	Price including freight charges
BBP 100, painted	A	433,-	141,-	574,-
Lid, galvanized	A	189,-	141,-	330,-
Pick-up cones (pins) and angle iron traverse lock	A	51,-	10,-	61,-
BBP 100, hot-dip galvanized	A	511,-	141,-	652,-
Lid, galvanized	A	189,-	141,-	330,-
Pick-up cones (pins) and angle iron traverse lock	A	51,-	10,-	61,-
Tilting Traverse for Containers for Building Material Containers Type BBT	Category	Price	Freight charges	Price including freight charges
BBT, painted	A	571,-	225,-	796,-
BBT, hot-dip galvanized	A	649,-	225,-	874,-
Building Materials Container Type BC	Category	Price	Freight charges	Price including freight charges
BC 500, painted	B	957,-	225,-	1182,-
Lid, galvanized	B	143,-	16,-	159,-
Castor Set, polyamide, Load capacity 1350 kg / castor set	A	192,-	15,-	207,-
BC 500, hot-dip galvanized	B	1179,-	327,-	1506,-
Lid, galvanized	B	143,-	16,-	159,-
Castor Set, polyamide, Load capacity 1350 kg / castor set	A	192,-	15,-	207,-
BC 500 (brick clamp operated), painted	B	1026,-	225,-	1251,-
Lid, galvanized	B	143,-	16,-	159,-
Castor Set, polyamide, Load capacity 1350 kg / castor set	A	192,-	15,-	207,-
BC 500 (brick clamp operated), hot-dip galvanized	B	1250,-	327,-	1577,-
Lid, galvanized	B	143,-	16,-	159,-
Castor Set, polyamide, Load capacity 1350 kg / castor set	A	192,-	15,-	207,-
BC 1000, painted	B	1043,-	327,-	1370,-
Lid, galvanized	B	143,-	16,-	159,-
Castor Set, polyamide, Load capacity 1350 kg / castor set	A	192,-	15,-	207,-
BC 1000, hot-dip galvanized	B	1316,-	327,-	1643,-
Lid, galvanized	B	143,-	16,-	159,-
Castor Set, polyamide, Load capacity 1350 kg / castor set	A	192,-	15,-	207,-
BC 1000 (brick clamp operated), painted	B	1111,-	327,-	1438,-
Lid, galvanized	B	143,-	16,-	159,-
Castor Set, polyamide, Load capacity 1350 kg / castor set	A	192,-	15,-	207,-
BC 1000 (brick clamp operated), hot-dip galvanized	B	1386,-	327,-	1713,-
Lid, galvanized	B	143,-	16,-	159,-

Prices in EUR, valid EXW DE-46354 Südlohn, DE-38820 Halberstadt, unpacked
Freight charges valid CPT Portugal, islands and oversea territories excluded

Price List 0726 en-PT

Forklift Truck Attachments



Building Materials Container Type BC	Category	Price	Freight charges	Price including freight charges
Castor Set, polyamide, Load capacity 1350 kg / castor set	A	192,-	15,-	207,-
Tilting Container Type BK	Category	Price	Freight charges	Price including freight charges
BK 30, painted	A	700,-	225,-	925,-
Lid, galvanized	A	98,-	18,-	116,-
Castor Set, polyamide, Load capacity 1350 kg / castor set	A	192,-	15,-	207,-
Heavy-duty Castor Set, polyamide, Load capacity 2550 kg / castor set	A	379,-	15,-	394,-
Skip Body Welded Oil and Watertight	A	78,-	0,-	78,-
BK 30, hot-dip galvanized	A	984,-	225,-	1209,-
Lid, galvanized	A	98,-	18,-	116,-
Castor Set, polyamide, Load capacity 1350 kg / castor set	A	192,-	15,-	207,-
Heavy-duty Castor Set, polyamide, Load capacity 2550 kg / castor set	A	379,-	15,-	394,-
Skip Body Welded Oil and Watertight	A	78,-	0,-	78,-
BK 50, painted	A	984,-	225,-	1209,-
Lid, galvanized	A	98,-	20,-	118,-
Castor Set, polyamide, Load capacity 1350 kg / castor set	A	192,-	15,-	207,-
Heavy-duty Castor Set, polyamide, Load capacity 2550 kg / castor set	A	379,-	15,-	394,-
Skip Body Welded Oil and Watertight	A	78,-	0,-	78,-
BK 50, hot-dip galvanized	A	1327,-	327,-	1654,-
Lid, galvanized	A	98,-	20,-	118,-
Castor Set, polyamide, Load capacity 1350 kg / castor set	A	192,-	15,-	207,-
Heavy-duty Castor Set, polyamide, Load capacity 2550 kg / castor set	A	379,-	15,-	394,-
Skip Body Welded Oil and Watertight	A	78,-	0,-	78,-
BK 80, painted	A	1297,-	327,-	1624,-
Lid, galvanized	A	144,-	22,-	166,-
Castor Set, polyamide, Load capacity 1350 kg / castor set	A	192,-	15,-	207,-
Heavy-duty Castor Set, polyamide, Load capacity 2550 kg / castor set	A	379,-	15,-	394,-
Skip Body Welded Oil and Watertight	A	78,-	0,-	78,-
BK 80, hot-dip galvanized	A	1814,-	327,-	2141,-
Lid, galvanized	A	144,-	22,-	166,-
Castor Set, polyamide, Load capacity 1350 kg / castor set	A	192,-	15,-	207,-
Heavy-duty Castor Set, polyamide, Load capacity 2550 kg / castor set	A	379,-	15,-	394,-
Skip Body Welded Oil and Watertight	A	78,-	0,-	78,-
BK 100, painted	A	1508,-	327,-	1835,-
Lid, galvanized	A	173,-	27,-	200,-
Castor Set, polyamide, Load capacity 1350 kg / castor set	A	192,-	15,-	207,-
Heavy-duty Castor Set, polyamide, Load capacity 2550 kg / castor set	A	379,-	15,-	394,-
Skip Body Welded Oil and Watertight	A	121,-	0,-	121,-
BK 100, hot-dip galvanized	A	2070,-	327,-	2397,-
Lid, galvanized	A	173,-	27,-	200,-
Castor Set, polyamide, Load capacity 1350 kg / castor set	A	192,-	15,-	207,-
Heavy-duty Castor Set, polyamide, Load capacity 2550 kg / castor set	A	379,-	15,-	394,-
Skip Body Welded Oil and Watertight	A	121,-	0,-	121,-
BK 120, painted	A	1640,-	327,-	1967,-
Lid, galvanized	A	184,-	32,-	216,-
Castor Set, polyamide, Load capacity 1350 kg / castor set	A	192,-	15,-	207,-

Prices in EUR, valid EXW DE-46354 Südlohn, DE-38820 Halberstadt, unpacked
Freight charges valid CPT Portugal, islands and oversea territories excluded

Price List 0726 en-PT

Forklift Truck Attachments



Tilting Container Type BK	Category	Price	Freight charges	Price including freight charges
Heavy-duty Castor Set, polyamide, Load capacity 2550 kg / castor set	A	379,-	15,-	394,-
Skip Body Welded Oil and Watertight	A	121,-	0,-	121,-
BK 120, hot-dip galvanized	A	2235,-	327,-	2562,-
Lid, galvanized	A	184,-	32,-	216,-
Castor Set, polyamide, Load capacity 1350 kg / castor set	A	192,-	15,-	207,-
Heavy-duty Castor Set, polyamide, Load capacity 2550 kg / castor set	A	379,-	15,-	394,-
Skip Body Welded Oil and Watertight	A	121,-	0,-	121,-
BK 150, painted	A	1801,-	398,-	2199,-
Lid, galvanized	A	211,-	39,-	250,-
Castor Set, polyamide, Load capacity 1350 kg / castor set	A	192,-	15,-	207,-
Heavy-duty Castor Set, polyamide, Load capacity 2550 kg / castor set	A	379,-	15,-	394,-
Skip Body Welded Oil and Watertight	A	121,-	0,-	121,-
BK 150, hot-dip galvanized	A	2444,-	398,-	2842,-
Lid, galvanized	A	211,-	39,-	250,-
Castor Set, polyamide, Load capacity 1350 kg / castor set	A	192,-	15,-	207,-
Heavy-duty Castor Set, polyamide, Load capacity 2550 kg / castor set	A	379,-	15,-	394,-
Skip Body Welded Oil and Watertight	A	121,-	0,-	121,-
BK 200, painted	A	2240,-	398,-	2638,-
Lid, galvanized	A	223,-	141,-	364,-
Castor Set, polyamide, Load capacity 1350 kg / castor set	A	192,-	15,-	207,-
Heavy-duty Castor Set, polyamide, Load capacity 2550 kg / castor set	A	379,-	15,-	394,-
Skip Body Welded Oil and Watertight	A	121,-	0,-	121,-
BK 200, hot-dip galvanized	A	3052,-	567,-	3619,-
Lid, galvanized	A	223,-	141,-	364,-
Castor Set, polyamide, Load capacity 1350 kg / castor set	A	192,-	15,-	207,-
Heavy-duty Castor Set, polyamide, Load capacity 2550 kg / castor set	A	379,-	15,-	394,-
Skip Body Welded Oil and Watertight	A	121,-	0,-	121,-
Container With Drop Away Base Type BKB	Category	Price	Freight charges	Price including freight charges
BKB 500, painted	A	763,-	225,-	988,-
Lid, galvanized	A	196,-	18,-	214,-
Castor Set, polyamide, Load capacity 1350 kg / castor set	A	192,-	15,-	207,-
BKB 500, hot-dip galvanized	A	907,-	225,-	1132,-
Lid, galvanized	A	196,-	18,-	214,-
Castor Set, polyamide, Load capacity 1350 kg / castor set	A	192,-	15,-	207,-
BKB 700, painted	A	816,-	225,-	1041,-
Lid, galvanized	A	196,-	18,-	214,-
Castor Set, polyamide, Load capacity 1350 kg / castor set	A	192,-	15,-	207,-
BKB 700, hot-dip galvanized	A	960,-	225,-	1185,-
Lid, galvanized	A	196,-	18,-	214,-
Castor Set, polyamide, Load capacity 1350 kg / castor set	A	192,-	15,-	207,-
BKB 1000, painted	A	865,-	225,-	1090,-
Lid, galvanized	A	196,-	18,-	214,-
Castor Set, polyamide, Load capacity 1350 kg / castor set	A	192,-	15,-	207,-
BKB 1000, hot-dip galvanized	A	1029,-	225,-	1254,-
Lid, galvanized	A	196,-	18,-	214,-

Prices in EUR, valid EXW DE-46354 Südlohn, DE-38820 Halberstadt, unpacked
Freight charges valid CPT Portugal, islands and oversea territories excluded

Price List 0726 en-PT

Forklift Truck Attachments



Container With Drop Away Base Type BKB	Category	Price	Freight charges	Price including freight charges
Castor Set, polyamide, Load capacity 1350 kg / castor set	A	192,-	15,-	207,-

Tilting Container Type BKC	Category	Price	Freight charges	Price including freight charges
BKC 200, painted	A	2308,-	567,-	2875,-
Lid, galvanized	A	450,-	141,-	591,-
Skip Body Welded Oil and Watertight	A	121,-	0,-	121,-
BKC 200, hot-dip galvanized	A	3089,-	567,-	3656,-
Lid, galvanized	A	450,-	141,-	591,-
Skip Body Welded Oil and Watertight	A	121,-	0,-	121,-
BKC 300, painted	A	2558,-	567,-	3125,-
Lid, galvanized	A	450,-	141,-	591,-
Skip Body Welded Oil and Watertight	A	121,-	0,-	121,-
BKC 300, hot-dip galvanized	A	3367,-	567,-	3934,-
Lid, galvanized	A	450,-	141,-	591,-
Skip Body Welded Oil and Watertight	A	121,-	0,-	121,-
BKC 400, painted	A	3150,-	567,-	3717,-
Lid, galvanized	A	450,-	225,-	675,-
Skip Body Welded Oil and Watertight	A	121,-	0,-	121,-
BKC 400, hot-dip galvanized	A	4067,-	731,-	4798,-
Lid, galvanized	A	450,-	225,-	675,-
Skip Body Welded Oil and Watertight	A	121,-	0,-	121,-
BKC 500, painted	A	3659,-	731,-	4390,-
Lid, galvanized	A	450,-	225,-	675,-
Skip Body Welded Oil and Watertight	A	121,-	0,-	121,-
BKC 500, hot-dip galvanized	A	4641,-	731,-	5372,-
Lid, galvanized	A	450,-	225,-	675,-
Skip Body Welded Oil and Watertight	A	121,-	0,-	121,-

Tilting Container Type BKC-H	Category	Price	Freight charges	Price including freight charges
BKC-H 200, painted	A	3422,-	567,-	3989,-
Lid, galvanized	A	450,-	141,-	591,-
Skip Body Welded Oil and Watertight	A	121,-	0,-	121,-
BKC-H 200, hot-dip galvanized	A	4204,-	567,-	4771,-
Lid, galvanized	A	450,-	141,-	591,-
Skip Body Welded Oil and Watertight	A	121,-	0,-	121,-
BKC-H 300, painted	A	3673,-	567,-	4240,-
Lid, galvanized	A	450,-	141,-	591,-
Skip Body Welded Oil and Watertight	A	121,-	0,-	121,-
BKC-H 300, hot-dip galvanized	A	4483,-	567,-	5050,-
Lid, galvanized	A	450,-	141,-	591,-
Skip Body Welded Oil and Watertight	A	121,-	0,-	121,-
BKC-H 400, painted	A	4265,-	567,-	4832,-
Lid, galvanized	A	450,-	225,-	675,-
Skip Body Welded Oil and Watertight	A	121,-	0,-	121,-
BKC-H 400, hot-dip galvanized	A	5182,-	731,-	5913,-

Prices in EUR, valid EXW DE-46354 Südlohn, DE-38820 Halberstadt, unpacked
 Freight charges valid CPT Portugal, islands and oversea territories excluded

Price List 0726 en-PT

Forklift Truck Attachments



Tilting Container Type BKC-H	Category	Price	Freight charges	Price including freight charges
Lid, galvanized	A	450,-	225,-	675,-
Skip Body Welded Oil and Watertight	A	121,-	0,-	121,-
BKC-H 500, painted	A	4774,-	731,-	5505,-
Lid, galvanized	A	450,-	225,-	675,-
Skip Body Welded Oil and Watertight	A	121,-	0,-	121,-
BKC-H 500, hot-dip galvanized	A	5756,-	731,-	6487,-
Lid, galvanized	A	450,-	225,-	675,-
Skip Body Welded Oil and Watertight	A	121,-	0,-	121,-

Tilting Container Type BKM	Category	Price	Freight charges	Price including freight charges
BKM 30, painted	A	700,-	225,-	925,-
Lid, galvanized	A	104,-	18,-	122,-
Castor Set, polyamide, Load capacity 1350 kg / castor set	A	192,-	15,-	207,-
Heavy-duty Castor Set, polyamide, Load capacity 2550 kg / castor set	A	379,-	15,-	394,-
Skip Body Welded Oil and Watertight	A	78,-	0,-	78,-
BKM 30, hot-dip galvanized	A	984,-	225,-	1209,-
Lid, galvanized	A	104,-	18,-	122,-
Castor Set, polyamide, Load capacity 1350 kg / castor set	A	192,-	15,-	207,-
Heavy-duty Castor Set, polyamide, Load capacity 2550 kg / castor set	A	379,-	15,-	394,-
Skip Body Welded Oil and Watertight	A	78,-	0,-	78,-
BKM 50, painted	A	984,-	225,-	1209,-
Lid, galvanized	A	130,-	21,-	151,-
Castor Set, polyamide, Load capacity 1350 kg / castor set	A	192,-	15,-	207,-
Heavy-duty Castor Set, polyamide, Load capacity 2550 kg / castor set	A	379,-	15,-	394,-
Skip Body Welded Oil and Watertight	A	78,-	0,-	78,-
BKM 50, hot-dip galvanized	A	1327,-	225,-	1552,-
Lid, galvanized	A	130,-	21,-	151,-
Castor Set, polyamide, Load capacity 1350 kg / castor set	A	192,-	15,-	207,-
Heavy-duty Castor Set, polyamide, Load capacity 2550 kg / castor set	A	379,-	15,-	394,-
Skip Body Welded Oil and Watertight	A	78,-	0,-	78,-
BKM 75, painted	A	1246,-	327,-	1573,-
Lid, galvanized	A	142,-	22,-	164,-
Castor Set, polyamide, Load capacity 1350 kg / castor set	A	192,-	15,-	207,-
Heavy-duty Castor Set, polyamide, Load capacity 2550 kg / castor set	A	379,-	15,-	394,-
Skip Body Welded Oil and Watertight	A	78,-	0,-	78,-
BKM 75, hot-dip galvanized	A	1672,-	327,-	1999,-
Lid, galvanized	A	142,-	22,-	164,-
Castor Set, polyamide, Load capacity 1350 kg / castor set	A	192,-	15,-	207,-
Heavy-duty Castor Set, polyamide, Load capacity 2550 kg / castor set	A	379,-	15,-	394,-
Skip Body Welded Oil and Watertight	A	78,-	0,-	78,-
BKM 100, painted	A	1508,-	327,-	1835,-
Lid, galvanized	A	185,-	27,-	212,-
Castor Set, polyamide, Load capacity 1350 kg / castor set	A	192,-	15,-	207,-
Heavy-duty Castor Set, polyamide, Load capacity 2550 kg / castor set	A	379,-	15,-	394,-
Skip Body Welded Oil and Watertight	A	121,-	0,-	121,-
BKM 100, hot-dip galvanized	A	2070,-	327,-	2397,-

Prices in EUR, valid EXW DE-46354 Südlohn, DE-38820 Halberstadt, unpacked
Freight charges valid CPT Portugal, islands and oversea territories excluded

Price List 0726 en-PT

Forklift Truck Attachments



Tilting Container Type BKM	Category	Price	Freight charges	Price including freight charges
Lid, galvanized	A	185,-	27,-	212,-
Castor Set, polyamide, Load capacity 1350 kg / castor set	A	192,-	15,-	207,-
Heavy-duty Castor Set, polyamide, Load capacity 2550 kg / castor set	A	379,-	15,-	394,-
Skip Body Welded Oil and Watertight	A	121,-	0,-	121,-
BKM 150, painted	A	1801,-	398,-	2199,-
Lid, galvanized	A	271,-	36,-	307,-
Castor Set, polyamide, Load capacity 1350 kg / castor set	A	192,-	15,-	207,-
Heavy-duty Castor Set, polyamide, Load capacity 2550 kg / castor set	A	379,-	15,-	394,-
Skip Body Welded Oil and Watertight	A	121,-	0,-	121,-
BKM 150, hot-dip galvanized	A	2444,-	398,-	2842,-
Lid, galvanized	A	271,-	36,-	307,-
Castor Set, polyamide, Load capacity 1350 kg / castor set	A	192,-	15,-	207,-
Heavy-duty Castor Set, polyamide, Load capacity 2550 kg / castor set	A	379,-	15,-	394,-
Skip Body Welded Oil and Watertight	A	121,-	0,-	121,-
BKM 200, painted	A	2240,-	398,-	2638,-
Lid, galvanized	A	302,-	141,-	443,-
Castor Set, polyamide, Load capacity 1350 kg / castor set	A	192,-	15,-	207,-
Heavy-duty Castor Set, polyamide, Load capacity 2550 kg / castor set	A	379,-	15,-	394,-
Skip Body Welded Oil and Watertight	A	121,-	0,-	121,-
Lid, galvanized	A	302,-	141,-	443,-
Castor Set, polyamide, Load capacity 1350 kg / castor set	A	192,-	15,-	207,-
Heavy-duty Castor Set, polyamide, Load capacity 2550 kg / castor set	A	379,-	15,-	394,-
Skip Body Welded Oil and Watertight	A	121,-	0,-	121,-
Traverse For Stacking Tipplers Type BKT	Category	Price	Freight charges	Price including freight charges
BKT 30, painted	A	368,-	225,-	593,-
Traverse Stand Type TS, hot-dip galvanized	A	78,-	8,-	86,-
BKT 55, painted	A	390,-	225,-	615,-
Traverse Stand Type TS, hot-dip galvanized	A	78,-	9,-	87,-
BKT 70, painted	A	390,-	225,-	615,-
Traverse Stand Type TS, hot-dip galvanized	A	78,-	9,-	87,-
BKT 90, painted	A	392,-	225,-	617,-
Traverse Stand Type TS, hot-dip galvanized	A	78,-	9,-	87,-
BKT 150, painted	A	631,-	225,-	856,-
Traverse Stand Type TS, hot-dip galvanized	A	78,-	9,-	87,-
BKT 200, painted	A	696,-	225,-	921,-
Traverse Stand Type TS, hot-dip galvanized	A	78,-	9,-	87,-
Shovel Type BSE	Category	Price	Freight charges	Price including freight charges
BSE 50, painted	A	1486,-	327,-	1813,-
BSE 75, painted	A	1769,-	327,-	2096,-
BSE 100, painted	A	2219,-	398,-	2617,-
BSE 150, painted	A	2507,-	398,-	2905,-
BSE 200, painted	A	2786,-	567,-	3353,-
BSE 250, painted	A	3433,-	620,-	4053,-

Prices in EUR, valid EXW DE-46354 Südlohn, DE-38820 Halberstadt, unpacked
Freight charges valid CPT Portugal, islands and oversea territories excluded

Price List 0726 en-PT

Forklift Truck Attachments



Shovel Type BSI	Category	Price	Freight charges	Price including freight charges
BSI 50, painted	A	1257,-	225,-	1482,-
BSI 75, painted	A	1424,-	327,-	1751,-
BSI 100, painted	A	1786,-	327,-	2113,-
Stacking Tipper Type BSK	Category	Price	Freight charges	Price including freight charges
BSK 30, painted	A	265,-	141,-	406,-
Lid, galvanized	A	69,-	12,-	81,-
Castor Set, polyamide, Load capacity 1350 kg / castor set	A	192,-	15,-	207,-
Skip Body Welded Oil and Watertight	A	78,-	0,-	78,-
Set of 5 self-adhesive stickers with symbols for: glass, paper, plastic, metal, residual waste	A	29,-	on request	on request
BSK 30, hot-dip galvanized	A	320,-	141,-	461,-
Lid, galvanized	A	69,-	12,-	81,-
Castor Set, polyamide, Load capacity 1350 kg / castor set	A	192,-	15,-	207,-
Skip Body Welded Oil and Watertight	A	78,-	0,-	78,-
Set of 5 self-adhesive stickers with symbols for: glass, paper, plastic, metal, residual waste	A	29,-	on request	on request
BSK 55, painted	A	332,-	141,-	473,-
Lid, galvanized	A	98,-	15,-	113,-
Castor Set, polyamide, Load capacity 1350 kg / castor set	A	192,-	15,-	207,-
Skip Body Welded Oil and Watertight	A	78,-	0,-	78,-
Set of 5 self-adhesive stickers with symbols for: glass, paper, plastic, metal, residual waste	A	29,-	on request	on request
BSK 55, hot-dip galvanized	A	405,-	141,-	546,-
Lid, galvanized	A	98,-	15,-	113,-
Castor Set, polyamide, Load capacity 1350 kg / castor set	A	192,-	15,-	207,-
Skip Body Welded Oil and Watertight	A	78,-	0,-	78,-
Set of 5 self-adhesive stickers with symbols for: glass, paper, plastic, metal, residual waste	A	29,-	on request	on request
BSK 70, painted	A	352,-	141,-	493,-
Lid, galvanized	A	122,-	15,-	137,-
Castor Set, polyamide, Load capacity 1350 kg / castor set	A	192,-	15,-	207,-
Skip Body Welded Oil and Watertight	A	78,-	0,-	78,-
Set of 5 self-adhesive stickers with symbols for: glass, paper, plastic, metal, residual waste	A	29,-	on request	on request
BSK 70, hot-dip galvanized	A	457,-	141,-	598,-
Lid, galvanized	A	122,-	15,-	137,-
Castor Set, polyamide, Load capacity 1350 kg / castor set	A	192,-	15,-	207,-
Skip Body Welded Oil and Watertight	A	78,-	0,-	78,-
Set of 5 self-adhesive stickers with symbols for: glass, paper, plastic, metal, residual waste	A	29,-	on request	on request
BSK 90, painted	A	379,-	141,-	520,-
Lid, galvanized	A	166,-	18,-	184,-
Castor Set, polyamide, Load capacity 1350 kg / castor set	A	192,-	15,-	207,-
Skip Body Welded Oil and Watertight	A	78,-	0,-	78,-
Set of 5 self-adhesive stickers with symbols for: glass, paper, plastic, metal, residual waste	A	29,-	on request	on request
BSK 90, hot-dip galvanized	A	487,-	225,-	712,-
Lid, galvanized	A	166,-	18,-	184,-
Castor Set, polyamide, Load capacity 1350 kg / castor set	A	192,-	15,-	207,-
Skip Body Welded Oil and Watertight	A	78,-	0,-	78,-
Set of 5 self-adhesive stickers with symbols for: glass, paper, plastic, metal, residual waste	A	29,-	on request	on request
BSK 150, painted	A	871,-	225,-	1096,-

Prices in EUR, valid EXW DE-46354 Südlohn, DE-38820 Halberstadt, unpacked
Freight charges valid CPT Portugal, islands and oversea territories excluded

Price List 0726 en-PT

Forklift Truck Attachments



Stacking Tipper Type BSK	Category	Price	Freight charges	Price including freight charges
Lid, galvanized	A	223,-	21,-	244,-
Castor Set, polyamide, Load capacity 1350 kg / castor set	A	192,-	15,-	207,-
Skip Body Welded Oil and Watertight	A	121,-	0,-	121,-
Set of 5 self-adhesive stickers with symbols for: glass, paper, plastic, metal, residual waste	A	29,-	on request	on request
BSK 150, hot-dip galvanized	A	1019,-	225,-	1244,-
Lid, galvanized	A	223,-	21,-	244,-
Castor Set, polyamide, Load capacity 1350 kg / castor set	A	192,-	15,-	207,-
Skip Body Welded Oil and Watertight	A	121,-	0,-	121,-
Set of 5 self-adhesive stickers with symbols for: glass, paper, plastic, metal, residual waste	A	29,-	on request	on request
BSK 200, painted	A	934,-	225,-	1159,-
Lid, galvanized	A	284,-	26,-	310,-
Castor Set, polyamide, Load capacity 1350 kg / castor set	A	192,-	15,-	207,-
Skip Body Welded Oil and Watertight	A	121,-	0,-	121,-
Set of 5 self-adhesive stickers with symbols for: glass, paper, plastic, metal, residual waste	A	29,-	on request	on request
BSK 200, hot-dip galvanized	A	1169,-	225,-	1394,-
Lid, galvanized	A	284,-	26,-	310,-
Castor Set, polyamide, Load capacity 1350 kg / castor set	A	192,-	15,-	207,-
Skip Body Welded Oil and Watertight	A	121,-	0,-	121,-
Set of 5 self-adhesive stickers with symbols for: glass, paper, plastic, metal, residual waste	A	29,-	on request	on request
Lattice Tilting Container Type BSK-G	Category	Price	Freight charges	Price including freight charges
BSK-G 90, painted	A	344,-	141,-	485,-
Lid, galvanized	A	166,-	18,-	184,-
Castor Set, polyamide, Load capacity 1350 kg / castor set	A	192,-	15,-	207,-
BSK-G 90, hot-dip galvanized	A	419,-	141,-	560,-
Lid, galvanized	A	166,-	18,-	184,-
Castor Set, polyamide, Load capacity 1350 kg / castor set	A	192,-	15,-	207,-
Swarf Stacking Tipper Type BSL	Category	Price	Freight charges	Price including freight charges
BSL 30, painted	A	590,-	141,-	731,-
Lid, galvanized	A	69,-	12,-	81,-
Castor Set, polyamide, Load capacity 1350 kg / castor set	A	192,-	15,-	207,-
BSL 30, hot-dip galvanized	A	679,-	141,-	820,-
Lid, galvanized	A	69,-	12,-	81,-
Castor Set, polyamide, Load capacity 1350 kg / castor set	A	192,-	15,-	207,-
BSL 55, painted	A	726,-	225,-	951,-
Lid, galvanized	A	98,-	15,-	113,-
Castor Set, polyamide, Load capacity 1350 kg / castor set	A	192,-	15,-	207,-
BSL 55, hot-dip galvanized	A	852,-	225,-	1077,-
Lid, galvanized	A	98,-	15,-	113,-
Castor Set, polyamide, Load capacity 1350 kg / castor set	A	192,-	15,-	207,-
BSL 70, painted	A	763,-	225,-	988,-
Lid, galvanized	A	122,-	15,-	137,-
Castor Set, polyamide, Load capacity 1350 kg / castor set	A	192,-	15,-	207,-
BSL 70, hot-dip galvanized	A	912,-	225,-	1137,-

Prices in EUR, valid EXW DE-46354 Südlohn, DE-38820 Halberstadt, unpacked
Freight charges valid CPT Portugal, islands and oversea territories excluded

Price List 0726 en-PT

Forklift Truck Attachments



Swarf Stacking Tipper Type BSL	Category	Price	Freight charges	Price including freight charges
Lid, galvanized	A	122,-	15,-	137,-
Castor Set, polyamide, Load capacity 1350 kg / castor set	A	192,-	15,-	207,-
BSL 90, painted	A	830,-	225,-	1055,-
Lid, galvanized	A	166,-	18,-	184,-
Castor Set, polyamide, Load capacity 1350 kg / castor set	A	192,-	15,-	207,-
BSL 90, hot-dip galvanized	A	1004,-	225,-	1229,-
Lid, galvanized	A	166,-	18,-	184,-
Castor Set, polyamide, Load capacity 1350 kg / castor set	A	192,-	15,-	207,-
BSL 150, painted	A	1227,-	225,-	1452,-
Lid, galvanized	A	223,-	21,-	244,-
Castor Set, polyamide, Load capacity 1350 kg / castor set	A	192,-	15,-	207,-
BSL 150, hot-dip galvanized	A	1490,-	327,-	1817,-
Lid, galvanized	A	223,-	21,-	244,-
Castor Set, polyamide, Load capacity 1350 kg / castor set	A	192,-	15,-	207,-
BSL 200, painted	A	1327,-	327,-	1654,-
Lid, galvanized	A	284,-	26,-	310,-
Castor Set, polyamide, Load capacity 1350 kg / castor set	A	192,-	15,-	207,-
BSL 200, hot-dip galvanized	A	1792,-	327,-	2119,-
Lid, galvanized	A	284,-	26,-	310,-
Castor Set, polyamide, Load capacity 1350 kg / castor set	A	192,-	15,-	207,-

Shovel Type BSM	Category	Price	Freight charges	Price including freight charges
BSM 50, painted	A	1486,-	225,-	1711,-
BSM 75, painted	A	1769,-	327,-	2096,-
BSM 100, painted	A	2219,-	398,-	2617,-
BSM 150, painted	A	2507,-	398,-	2905,-
BSM 200, painted	A	2786,-	567,-	3353,-
BSM 250, painted	A	3433,-	620,-	4053,-

Swarf Stacking Tipper Type BSS	Category	Price	Freight charges	Price including freight charges
BSS 30, painted	A	422,-	141,-	563,-
Lid, galvanized	A	69,-	12,-	81,-
Castor Set, polyamide, Load capacity 1350 kg / castor set	A	192,-	15,-	207,-
BSS 30, hot-dip galvanized	A	490,-	141,-	631,-
Lid, galvanized	A	69,-	12,-	81,-
Castor Set, polyamide, Load capacity 1350 kg / castor set	A	192,-	15,-	207,-
BSS 55, painted	A	523,-	141,-	664,-
Lid, galvanized	A	98,-	15,-	113,-
Castor Set, polyamide, Load capacity 1350 kg / castor set	A	192,-	15,-	207,-
BSS 55, hot-dip galvanized	A	648,-	141,-	789,-
Lid, galvanized	A	98,-	15,-	113,-
Castor Set, polyamide, Load capacity 1350 kg / castor set	A	192,-	15,-	207,-
BSS 70, painted	A	561,-	141,-	702,-
Lid, galvanized	A	122,-	15,-	137,-
Castor Set, polyamide, Load capacity 1350 kg / castor set	A	192,-	15,-	207,-

Prices in EUR, valid EXW DE-46354 Südlohn, DE-38820 Halberstadt, unpacked
 Freight charges valid CPT Portugal, islands and oversea territories excluded

Price List 0726 en-PT

Forklift Truck Attachments



Swarf Stacking Tipper Type BSS	Category	Price	Freight charges	Price including freight charges
BSS 70, hot-dip galvanized	A	708,-	225,-	933,-
Lid, galvanized	A	122,-	15,-	137,-
Castor Set, polyamide, Load capacity 1350 kg / castor set	A	192,-	15,-	207,-
BSS 90, painted	A	597,-	225,-	822,-
Lid, galvanized	A	166,-	18,-	184,-
Castor Set, polyamide, Load capacity 1350 kg / castor set	A	192,-	15,-	207,-
BSS 90, hot-dip galvanized	A	765,-	225,-	990,-
Lid, galvanized	A	166,-	18,-	184,-
Castor Set, polyamide, Load capacity 1350 kg / castor set	A	192,-	15,-	207,-
BSS 150, painted	A	907,-	225,-	1132,-
Lid, galvanized	A	223,-	21,-	244,-
Castor Set, polyamide, Load capacity 1350 kg / castor set	A	192,-	15,-	207,-
BSS 150, hot-dip galvanized	A	1166,-	225,-	1391,-
Lid, galvanized	A	223,-	21,-	244,-
Castor Set, polyamide, Load capacity 1350 kg / castor set	A	192,-	15,-	207,-
BSS 200, painted	A	1024,-	225,-	1249,-
Lid, galvanized	A	284,-	26,-	310,-
Castor Set, polyamide, Load capacity 1350 kg / castor set	A	192,-	15,-	207,-
BSS 200, hot-dip galvanized	A	1371,-	327,-	1698,-
Lid, galvanized	A	284,-	26,-	310,-
Castor Set, polyamide, Load capacity 1350 kg / castor set	A	192,-	15,-	207,-

Traverse For Stacking Tipper Type BST	Category	Price	Freight charges	Price including freight charges
BST 30, painted	A	332,-	141,-	473,-
Traverse Stand Type TS, hot-dip galvanized	A	78,-	8,-	86,-
BST 55, painted	A	354,-	141,-	495,-
Traverse Stand Type TS, hot-dip galvanized	A	78,-	9,-	87,-
BST 70, painted	A	354,-	141,-	495,-
Traverse Stand Type TS, hot-dip galvanized	A	78,-	9,-	87,-
BST 90, painted	A	368,-	141,-	509,-
Traverse Stand Type TS, hot-dip galvanized	A	78,-	9,-	87,-
BST 150, painted	A	551,-	225,-	776,-
Traverse Stand Type TS, hot-dip galvanized	A	78,-	9,-	87,-
BST 200, painted	A	612,-	225,-	837,-
Traverse Stand Type TS, hot-dip galvanized	A	78,-	9,-	87,-

Traverse For Stacking Tipper Type BST-H	Category	Price	Freight charges	Price including freight charges
BST-H 30, painted	A	2127,-	225,-	2352,-
Traverse Stand Type TS, hot-dip galvanized	A	78,-	8,-	86,-
BST-H 55, painted	A	2257,-	225,-	2482,-
Traverse Stand Type TS, hot-dip galvanized	A	78,-	8,-	86,-
BST-H 70, painted	A	2257,-	225,-	2482,-
Traverse Stand Type TS, hot-dip galvanized	A	78,-	8,-	86,-
BST-H 90, painted	A	2374,-	225,-	2599,-
Traverse Stand Type TS, hot-dip galvanized	A	78,-	8,-	86,-

Prices in EUR, valid EXW DE-46354 Südlohn, DE-38820 Halberstadt, unpacked
 Freight charges valid CPT Portugal, islands and oversea territories excluded

Price List 0726 en-PT

Forklift Truck Attachments



Traverse For Stacking Tipplers Type BST-H	Category	Price	Freight charges	Price including freight charges
BST-H 150, painted	A	2700,-	327,-	3027,-
Traverse Stand Type TS, hot-dip galvanized	A	78,-	9,-	87,-
BST-H 200, painted	A	2972,-	327,-	3299,-
Traverse Stand Type TS, hot-dip galvanized	A	78,-	9,-	87,-
Traverse For Stacking Tipplers Type BST-U	Category	Price	Freight charges	Price including freight charges
BST-U 30, painted	A	956,-	225,-	1181,-
BST-U 55, painted	A	1020,-	225,-	1245,-
BST-U 70, painted	A	1020,-	225,-	1245,-
BST-U 90, painted	A	1047,-	225,-	1272,-
Beam Traverse Type BT	Category	Price	Freight charges	Price including freight charges
BT 3001, painted	A	1877,-	306,-	2183,-
Support frames, hot-dip galvanized	A	276,-	141,-	417,-
BT 3002, painted	A	2117,-	306,-	2423,-
Support frames, hot-dip galvanized	A	276,-	141,-	417,-
BT 3003, painted	A	2276,-	306,-	2582,-
Support frames, hot-dip galvanized	A	276,-	141,-	417,-
BT 3005, painted	A	2596,-	408,-	3004,-
Support frames, hot-dip galvanized	A	276,-	141,-	417,-
Filling Hopper Type BTM	Category	Price	Freight charges	Price including freight charges
BTM, painted	A	2461,-	398,-	2859,-
Filling Hopper Type BTS	Category	Price	Freight charges	Price including freight charges
BTS, painted	A	2107,-	398,-	2505,-
Bin Type C	Category	Price	Freight charges	Price including freight charges
C 30, painted	A	422,-	141,-	563,-
C 30, hot-dip galvanized	A	463,-	141,-	604,-
C 80, painted	A	607,-	141,-	748,-
C 80, hot-dip galvanized	A	653,-	141,-	794,-
Swarf Bin Type CS	Category	Price	Freight charges	Price including freight charges
CS 30, painted	A	486,-	141,-	627,-
CS 30, hot-dip galvanized	A	532,-	141,-	673,-
CS 80, painted	A	717,-	141,-	858,-
CS 80, hot-dip galvanized	A	766,-	225,-	991,-
Shovel Type DGS	Category	Price	Freight charges	Price including freight charges
DGS 500, painted	A	2655,-	327,-	2982,-
DGS 700, painted	A	2685,-	327,-	3012,-
DGS 950, painted	A	2723,-	398,-	3121,-
DGS 1200, painted	A	2924,-	398,-	3322,-

Prices in EUR, valid EXW DE-46354 Südlohn, DE-38820 Halberstadt, unpacked
Freight charges valid CPT Portugal, islands and oversea territories excluded

Price List 0726 en-PT

Forklift Truck Attachments



Tilting Container Type DUO	Category	Price	Freight charges	Price including freight charges
DUO, painted	A	1867,-	327,-	2194,-
Lid, galvanized	A	236,-	27,-	263,-
Castor Set, polyamide, Load capacity 1350 kg / castor set	A	192,-	15,-	207,-
Set of 5 self-adhesive stickers with symbols for: glass, paper, plastic, metal, residual waste	A	29,-	on request	on request
Tilting Container Type EXPO®	Category	Price	Freight charges	Price including freight charges
EXPO 150, painted	A	608,-	141,-	749,-
Lid, galvanized	A	174,-	18,-	192,-
Castor Set, polyamide, Load capacity 1050 kg / castor set	A	156,-	15,-	171,-
Skip Body Welded Oil and Watertight	A	78,-	0,-	78,-
EXPO 150, hot-dip galvanized	A	717,-	141,-	858,-
Lid, galvanized	A	174,-	18,-	192,-
Castor Set, polyamide, Load capacity 1050 kg / castor set	A	156,-	15,-	171,-
Skip Body Welded Oil and Watertight	A	78,-	0,-	78,-
EXPO 225, painted	A	662,-	141,-	803,-
Lid, galvanized	A	174,-	18,-	192,-
Castor Set, polyamide, Load capacity 1050 kg / castor set	A	156,-	15,-	171,-
Skip Body Welded Oil and Watertight	A	78,-	0,-	78,-
EXPO 225, hot-dip galvanized	A	785,-	141,-	926,-
Lid, galvanized	A	174,-	18,-	192,-
Castor Set, polyamide, Load capacity 1050 kg / castor set	A	156,-	15,-	171,-
Skip Body Welded Oil and Watertight	A	78,-	0,-	78,-
EXPO 275, painted	A	691,-	141,-	832,-
Lid, galvanized	A	174,-	18,-	192,-
Castor Set, polyamide, Load capacity 1050 kg / castor set	A	156,-	15,-	171,-
Skip Body Welded Oil and Watertight	A	78,-	0,-	78,-
EXPO 275, hot-dip galvanized	A	826,-	141,-	967,-
Lid, galvanized	A	174,-	18,-	192,-
Castor Set, polyamide, Load capacity 1050 kg / castor set	A	156,-	15,-	171,-
Skip Body Welded Oil and Watertight	A	78,-	0,-	78,-
EXPO 300, painted	A	623,-	225,-	848,-
Lid, galvanized	A	174,-	18,-	192,-
Castor Set, polyamide, Load capacity 1350 kg / castor set	A	192,-	15,-	207,-
Skip Body Welded Oil and Watertight	A	78,-	0,-	78,-
EXPO 300, hot-dip galvanized	A	798,-	225,-	1023,-
Lid, galvanized	A	174,-	18,-	192,-
Castor Set, polyamide, Load capacity 1350 kg / castor set	A	192,-	15,-	207,-
Skip Body Welded Oil and Watertight	A	78,-	0,-	78,-
EXPO 600, painted	A	733,-	225,-	958,-
Lid, galvanized	A	196,-	22,-	218,-
Castor Set, polyamide, Load capacity 1350 kg / castor set	A	192,-	15,-	207,-
Skip Body Welded Oil and Watertight	A	78,-	0,-	78,-
EXPO 600, hot-dip galvanized	A	879,-	225,-	1104,-
Lid, galvanized	A	196,-	22,-	218,-
Castor Set, polyamide, Load capacity 1350 kg / castor set	A	192,-	15,-	207,-
Skip Body Welded Oil and Watertight	A	78,-	0,-	78,-

Prices in EUR, valid EXW DE-46354 Südlohn, DE-38820 Halberstadt, unpacked
Freight charges valid CPT Portugal, islands and oversea territories excluded

Price List 0726 en-PT

Forklift Truck Attachments



Tilting Container Type EXPO®	Category	Price	Freight charges	Price including freight charges
EXPO 900, painted	A	818,-	225,-	1043,-
Lid, galvanized	A	223,-	27,-	250,-
Castor Set, polyamide, Load capacity 1350 kg / castor set	A	192,-	15,-	207,-
Skip Body Welded Oil and Watertight	A	78,-	0,-	78,-
EXPO 900, hot-dip galvanized	A	964,-	225,-	1189,-
Lid, galvanized	A	223,-	27,-	250,-
Castor Set, polyamide, Load capacity 1350 kg / castor set	A	192,-	15,-	207,-
Skip Body Welded Oil and Watertight	A	78,-	0,-	78,-
EXPO 1200, painted	A	885,-	327,-	1212,-
Lid, galvanized	A	223,-	26,-	249,-
Castor Set, polyamide, Load capacity 1350 kg / castor set	A	192,-	15,-	207,-
Skip Body Welded Oil and Watertight	A	121,-	0,-	121,-
EXPO 1200, hot-dip galvanized	A	1042,-	327,-	1369,-
Lid, galvanized	A	223,-	26,-	249,-
Castor Set, polyamide, Load capacity 1350 kg / castor set	A	192,-	15,-	207,-
Skip Body Welded Oil and Watertight	A	121,-	0,-	121,-
EXPO 1700, painted	A	1202,-	327,-	1529,-
Lid, galvanized	A	276,-	33,-	309,-
Castor Set, polyamide, Load capacity 1350 kg / castor set	A	192,-	15,-	207,-
Skip Body Welded Oil and Watertight	A	121,-	0,-	121,-
EXPO 1700, hot-dip galvanized	A	1435,-	327,-	1762,-
Lid, galvanized	A	276,-	33,-	309,-
Castor Set, polyamide, Load capacity 1350 kg / castor set	A	192,-	15,-	207,-
Skip Body Welded Oil and Watertight	A	121,-	0,-	121,-
EXPO 2100, painted	A	1325,-	327,-	1652,-
Lid, galvanized	A	360,-	36,-	396,-
Castor Set, polyamide, Load capacity 1350 kg / castor set	A	192,-	15,-	207,-
Skip Body Welded Oil and Watertight	A	121,-	0,-	121,-
EXPO 2100, hot-dip galvanized	A	1606,-	327,-	1933,-
Lid, galvanized	A	360,-	36,-	396,-
Castor Set, polyamide, Load capacity 1350 kg / castor set	A	192,-	15,-	207,-
Skip Body Welded Oil and Watertight	A	121,-	0,-	121,-
Swarf Tilting Container Type EXPO®-E	Category	Price	Freight charges	Price including freight charges
EXPO-E 150, painted	A	729,-	141,-	870,-
Lid, galvanized	A	174,-	18,-	192,-
Castor Set, polyamide, Load capacity 1050 kg / castor set	A	156,-	15,-	171,-
EXPO-E 150, hot-dip galvanized	A	837,-	141,-	978,-
Lid, galvanized	A	174,-	18,-	192,-
Castor Set, polyamide, Load capacity 1050 kg / castor set	A	156,-	15,-	171,-
EXPO-E 225, painted	A	782,-	141,-	923,-
Lid, galvanized	A	174,-	18,-	192,-
Castor Set, polyamide, Load capacity 1050 kg / castor set	A	156,-	15,-	171,-
EXPO-E 225, hot-dip galvanized	A	907,-	141,-	1048,-
Lid, galvanized	A	174,-	18,-	192,-
Castor Set, polyamide, Load capacity 1050 kg / castor set	A	156,-	15,-	171,-

Prices in EUR, valid EXW DE-46354 Südlohn, DE-38820 Halberstadt, unpacked
Freight charges valid CPT Portugal, islands and oversea territories excluded

Price List 0726 en-PT

Forklift Truck Attachments



Swarf Tilting Container Type EXPO®-E	Category	Price	Freight charges	Price including freight charges
EXPO-E 275, painted	A	812,-	141,-	953,-
Lid, galvanized	A	174,-	18,-	192,-
Castor Set, polyamide, Load capacity 1050 kg / castor set	A	156,-	15,-	171,-
EXPO-E 275, hot-dip galvanized	A	944,-	141,-	1085,-
Lid, galvanized	A	174,-	18,-	192,-
Castor Set, polyamide, Load capacity 1050 kg / castor set	A	156,-	15,-	171,-
EXPO-E 300, painted	A	744,-	225,-	969,-
Lid, galvanized	A	174,-	18,-	192,-
Castor Set, polyamide, Load capacity 1350 kg / castor set	A	192,-	15,-	207,-
EXPO-E 300, hot-dip galvanized	A	919,-	225,-	1144,-
Lid, galvanized	A	174,-	18,-	192,-
Castor Set, polyamide, Load capacity 1350 kg / castor set	A	192,-	15,-	207,-
EXPO-E 600, painted	A	853,-	225,-	1078,-
Lid, galvanized	A	196,-	22,-	218,-
Castor Set, polyamide, Load capacity 1350 kg / castor set	A	192,-	15,-	207,-
EXPO-E 600, hot-dip galvanized	A	999,-	225,-	1224,-
Lid, galvanized	A	196,-	22,-	218,-
Castor Set, polyamide, Load capacity 1350 kg / castor set	A	192,-	15,-	207,-
EXPO-E 900, painted	A	938,-	225,-	1163,-
Lid, galvanized	A	223,-	27,-	250,-
Castor Set, polyamide, Load capacity 1350 kg / castor set	A	192,-	15,-	207,-
EXPO-E 900, hot-dip galvanized	A	1085,-	225,-	1310,-
Lid, galvanized	A	223,-	27,-	250,-
Castor Set, polyamide, Load capacity 1350 kg / castor set	A	192,-	15,-	207,-
EXPO-E 1200, painted	A	1048,-	327,-	1375,-
Lid, galvanized	A	223,-	26,-	249,-
Castor Set, polyamide, Load capacity 1350 kg / castor set	A	192,-	15,-	207,-
EXPO-E 1200, hot-dip galvanized	A	1204,-	327,-	1531,-
Lid, galvanized	A	223,-	26,-	249,-
Castor Set, polyamide, Load capacity 1350 kg / castor set	A	192,-	15,-	207,-
EXPO-E 1700, painted	A	1365,-	327,-	1692,-
Lid, galvanized	A	276,-	33,-	309,-
Castor Set, polyamide, Load capacity 1350 kg / castor set	A	192,-	15,-	207,-
EXPO-E 1700, hot-dip galvanized	A	1598,-	327,-	1925,-
Lid, galvanized	A	276,-	33,-	309,-
Castor Set, polyamide, Load capacity 1350 kg / castor set	A	192,-	15,-	207,-
EXPO-E 2100, painted	A	1488,-	327,-	1815,-
Lid, galvanized	A	360,-	36,-	396,-
Castor Set, polyamide, Load capacity 1350 kg / castor set	A	192,-	15,-	207,-
EXPO-E 2100, hot-dip galvanized	A	1768,-	327,-	2095,-
Lid, galvanized	A	360,-	36,-	396,-
Castor Set, polyamide, Load capacity 1350 kg / castor set	A	192,-	15,-	207,-
Container With Drop Away Base Type FB	Category	Price	Freight charges	Price including freight charges
FB 500, painted	A	809,-	225,-	1034,-
Lid, galvanized	A	196,-	15,-	211,-

Prices in EUR, valid EXW DE-46354 Südlohn, DE-38820 Halberstadt, unpacked
Freight charges valid CPT Portugal, islands and oversea territories excluded

Price List 0726 en-PT

Forklift Truck Attachments



Container With Drop Away Base Type FB	Category	Price	Freight charges	Price including freight charges
Castor Set, polyamide, Load capacity 1350 kg / castor set	A	192,-	15,-	207,-
Guiding Plates, galvanized	A	116,-	12,-	128,-
FB 500, hot-dip galvanized	A	994,-	225,-	1219,-
Lid, galvanized	A	196,-	15,-	211,-
Castor Set, polyamide, Load capacity 1350 kg / castor set	A	192,-	15,-	207,-
Guiding Plates, galvanized	A	116,-	12,-	128,-
FB 750, painted	A	880,-	225,-	1105,-
Lid, galvanized	A	196,-	15,-	211,-
Castor Set, polyamide, Load capacity 1350 kg / castor set	A	192,-	15,-	207,-
Guiding Plates, galvanized	A	116,-	12,-	128,-
FB 750, hot-dip galvanized	A	1075,-	225,-	1300,-
Lid, galvanized	A	196,-	15,-	211,-
Castor Set, polyamide, Load capacity 1350 kg / castor set	A	192,-	15,-	207,-
Guiding Plates, galvanized	A	116,-	12,-	128,-
FB 1000, painted	A	942,-	225,-	1167,-
Lid, galvanized	A	238,-	18,-	256,-
Castor Set, polyamide, Load capacity 1350 kg / castor set	A	192,-	15,-	207,-
Guiding Plates, galvanized	A	116,-	12,-	128,-
FB 1000, hot-dip galvanized	A	1157,-	225,-	1382,-
Lid, galvanized	A	238,-	18,-	256,-
Castor Set, polyamide, Load capacity 1350 kg / castor set	A	192,-	15,-	207,-
Guiding Plates, galvanized	A	116,-	12,-	128,-
FB 1500, painted	A	1105,-	327,-	1432,-
Lid, galvanized	A	351,-	21,-	372,-
Castor Set, polyamide, Load capacity 1350 kg / castor set	A	192,-	15,-	207,-
Guiding Plates, galvanized	A	116,-	12,-	128,-
FB 1500, hot-dip galvanized	A	1392,-	327,-	1719,-
Lid, galvanized	A	351,-	21,-	372,-
Castor Set, polyamide, Load capacity 1350 kg / castor set	A	192,-	15,-	207,-
Guiding Plates, galvanized	A	116,-	12,-	128,-
FB 2000, painted	A	1192,-	327,-	1519,-
Lid, galvanized	A	351,-	21,-	372,-
Castor Set, polyamide, Load capacity 1350 kg / castor set	A	192,-	15,-	207,-
Guiding Plates, galvanized	A	116,-	12,-	128,-
FB 2000, hot-dip galvanized	A	1512,-	327,-	1839,-
Lid, galvanized	A	351,-	21,-	372,-
Castor Set, polyamide, Load capacity 1350 kg / castor set	A	192,-	15,-	207,-
Guiding Plates, galvanized	A	116,-	12,-	128,-
Drum Tipper Type FD/L-HK	Category	Price	Freight charges	Price including freight charges
FD/L-HK, painted	B	2324,-	225,-	2549,-
FD/L-HK, hot-dip galvanized	B	2765,-	225,-	2990,-
Drum Tipper Type FD/L-K	Category	Price	Freight charges	Price including freight charges
FD/L-K, painted	B	2515,-	225,-	2740,-

Prices in EUR, valid EXW DE-46354 Südlohn, DE-38820 Halberstadt, unpacked
Freight charges valid CPT Portugal, islands and oversea territories excluded

Price List 0726 en-PT

Forklift Truck Attachments



Drum Tipper Type FD/L-K	Category	Price	Freight charges	Price including freight charges
FD/L-K, hot-dip galvanized	B	2965,-	225,-	3190,-
Drum Tipper Type FD-H	Category	Price	Freight charges	Price including freight charges
FD-H, painted	B	2593,-	141,-	2734,-
FD-H, hot-dip galvanized	B	2828,-	141,-	2969,-
Drum Tipper Type FD-HK	Category	Price	Freight charges	Price including freight charges
FD-HK, painted	B	1997,-	141,-	2138,-
FD-HK, hot-dip galvanized	B	2237,-	141,-	2378,-
Drum Tipper Type FD-K	Category	Price	Freight charges	Price including freight charges
FD-K, painted	B	2188,-	141,-	2329,-
FD-K, hot-dip galvanized	B	2437,-	141,-	2578,-
Drum Tipper Type FD-SK	Category	Price	Freight charges	Price including freight charges
FD-SK, painted	B	1997,-	141,-	2138,-
FD-SK, hot-dip galvanized	B	2237,-	141,-	2378,-
Drum Jack Type FH	Category	Price	Freight charges	Price including freight charges
FH-I 120, painted	B	1645,-	141,-	1786,-
FH-I 120, hot-dip galvanized	B	1823,-	141,-	1964,-
FH-I 220, painted	B	1645,-	141,-	1786,-
FH-I 220, hot-dip galvanized	B	1852,-	141,-	1993,-
FH-II 120, painted	B	2402,-	141,-	2543,-
FH-II 120, hot-dip galvanized	B	2673,-	141,-	2814,-
FH-II 220, painted	B	2402,-	141,-	2543,-
FH-II 220, hot-dip galvanized	B	2729,-	141,-	2870,-
Drum Gripper Type FK	Category	Price	Freight charges	Price including freight charges
FK-I, painted	B	1251,-	141,-	1392,-
FK-I, hot-dip galvanized	B	1524,-	141,-	1665,-
FK-II, painted	B	1488,-	225,-	1713,-
FK-II, hot-dip galvanized	B	1882,-	225,-	2107,-
Drum Clamp Type FKL	Category	Price	Freight charges	Price including freight charges
FKL, painted	B	480,-	60,-	540,-
Drum Tipper Type FLEX-HK	Category	Price	Freight charges	Price including freight charges
FLEX-HK, painted	B	2164,-	141,-	2305,-
Shelf Drum Pallet RP, galvanized	B	145,-	60,-	205,-
FLEX-HK, hot-dip galvanized	B	2338,-	141,-	2479,-
Shelf Drum Pallet RP, galvanized	B	145,-	60,-	205,-

Prices in EUR, valid EXW DE-46354 Südlohn, DE-38820 Halberstadt, unpacked
Freight charges valid CPT Portugal, islands and oversea territories excluded

Price List 0726 en-PT

Forklift Truck Attachments



Drum Tipper Type FLEX-K	Category	Price	Freight charges	Price including freight charges
FLEX-K, painted	B	2363,-	141,-	2504,-
Shelf Drum Pallet RP, galvanized	B	145,-	60,-	205,-
FLEX-K, hot-dip galvanized	B	2533,-	141,-	2674,-
Shelf Drum Pallet RP, galvanized	B	145,-	60,-	205,-
Drum Traverse Type FT/M	Category	Price	Freight charges	Price including freight charges
FT/M, galvanized	B	316,-	60,-	376,-
Drum Traverse Type FT/MK	Category	Price	Freight charges	Price including freight charges
FT/MK, galvanized	B	362,-	60,-	422,-
Drum Turner Type FW	Category	Price	Freight charges	Price including freight charges
FW-I, painted	B	1389,-	225,-	1614,-
FW-I, hot-dip galvanized	B	1803,-	225,-	2028,-
FW-II, painted	B	1945,-	225,-	2170,-
FW-II, hot-dip galvanized	B	2533,-	225,-	2758,-
Drum Turning Claw Type FWZ	Category	Price	Freight charges	Price including freight charges
FWZ-60, painted	B	1355,-	94,-	1449,-
FWZ-60, galvanized	B	1335,-	94,-	1429,-
FWZ-200, painted	B	1397,-	94,-	1491,-
FWZ-200, galvanized	B	1376,-	94,-	1470,-
Fork Extensions Type GG	Category	Price	Freight charges	Price including freight charges
GG 80/40 (1600 mm long), painted	A	541,-	141,-	682,-
GG 80/40 (1800 mm long), painted	A	570,-	141,-	711,-
GG 80/40 (2000 mm long), painted	A	601,-	141,-	742,-
GG 100/40 (1600 mm long), painted	A	541,-	141,-	682,-
GG 100/40 (1800 mm long), painted	A	570,-	141,-	711,-
GG 100/40 (2000 mm long), painted	A	601,-	141,-	742,-
GG 100/45 (1600 mm long), painted	A	541,-	141,-	682,-
GG 100/45 (1800 mm long), painted	A	570,-	141,-	711,-
GG 100/45 (2000 mm long), painted	A	601,-	141,-	742,-
GG 100/50 (1600 mm long), painted	A	541,-	141,-	682,-
GG 100/50 (1800 mm long), painted	A	570,-	141,-	711,-
GG 100/50 (2000 mm long), painted	A	601,-	225,-	826,-
GG 120/40 (1600 mm long), painted	A	570,-	141,-	711,-
GG 120/40 (1800 mm long), painted	A	601,-	225,-	826,-
GG 120/40 (2000 mm long), painted	A	645,-	225,-	870,-
GG 120/50 (1600 mm long), painted	A	570,-	141,-	711,-
GG 120/50 (1800 mm long), painted	A	601,-	225,-	826,-
GG 120/50 (2000 mm long), painted	A	645,-	225,-	870,-
GG 125/45 (1600 mm long), painted	A	570,-	141,-	711,-
GG 125/45 (1800 mm long), painted	A	601,-	225,-	826,-
GG 125/45 (2000 mm long), painted	A	645,-	225,-	870,-

Prices in EUR, valid EXW DE-46354 Südlohn, DE-38820 Halberstadt, unpacked
Freight charges valid CPT Portugal, islands and oversea territories excluded

Price List 0726 en-PT

Forklift Truck Attachments



Fork Extensions Type GG	Category	Price	Freight charges	Price including freight charges
GG 125/50 (1600 mm long), painted	A	570,-	141,-	711,-
GG 125/50 (1800 mm long), painted	A	601,-	225,-	826,-
GG 125/50 (2000 mm long), painted	A	645,-	225,-	870,-
GG 150/50 (1600 mm long), painted	A	634,-	225,-	859,-
GG 150/50 (1800 mm long), painted	A	680,-	225,-	905,-
GG 150/50 (2000 mm long), painted	A	713,-	225,-	938,-
GG 150/70 (1600 mm long), painted	A	634,-	225,-	859,-
GG 150/70 (1800 mm long), painted	A	680,-	225,-	905,-
GG 150/70 (2000 mm long), painted	A	713,-	225,-	938,-

Fork Extensions Type GO	Category	Price	Freight charges	Price including freight charges
GO 80/40 (1600 mm long), painted	A	390,-	141,-	531,-
GO 80/40 (1800 mm long), painted	A	396,-	141,-	537,-
GO 80/40 (2000 mm long), painted	A	411,-	141,-	552,-
GO 100/40 (1600 mm long), painted	A	390,-	141,-	531,-
GO 100/40 (1800 mm long), painted	A	396,-	141,-	537,-
GO 100/40 (2000 mm long), painted	A	411,-	141,-	552,-
GO 100/45 (1600 mm long), painted	A	390,-	141,-	531,-
GO 100/45 (1800 mm long), painted	A	396,-	141,-	537,-
GO 100/45 (2000 mm long), painted	A	411,-	141,-	552,-
GO 100/50 (1600 mm long), painted	A	390,-	141,-	531,-
GO 100/50 (1800 mm long), painted	A	396,-	141,-	537,-
GO 100/50 (2000 mm long), painted	A	411,-	141,-	552,-
GO 120/40 (1600 mm long), painted	A	396,-	141,-	537,-
GO 120/40 (1800 mm long), painted	A	418,-	141,-	559,-
GO 120/40 (2000 mm long), painted	A	435,-	141,-	576,-
GO 120/50 (1600 mm long), painted	A	396,-	141,-	537,-
GO 120/50 (1800 mm long), painted	A	418,-	141,-	559,-
GO 120/50 (2000 mm long), painted	A	435,-	141,-	576,-
GO 125/45 (1600 mm long), painted	A	396,-	141,-	537,-
GO 125/45 (1800 mm long), painted	A	418,-	141,-	559,-
GO 125/45 (2000 mm long), painted	A	435,-	141,-	576,-
GO 125/50 (1600 mm long), painted	A	396,-	141,-	537,-
GO 125/50 (1800 mm long), painted	A	418,-	141,-	559,-
GO 125/50 (2000 mm long), painted	A	435,-	141,-	576,-
GO 150/50 (1600 mm long), painted	A	475,-	141,-	616,-
GO 150/50 (1800 mm long), painted	A	516,-	141,-	657,-
GO 150/50 (2000 mm long), painted	A	555,-	141,-	696,-
GO 150/70 (1600 mm long), painted	A	475,-	141,-	616,-
GO 150/70 (1800 mm long), painted	A	516,-	141,-	657,-
GO 150/70 (2000 mm long), painted	A	555,-	141,-	696,-

Tilting Container Type GU	Category	Price	Freight charges	Price including freight charges
GU 300, painted	A	655,-	225,-	880,-
Lid, galvanized	A	98,-	18,-	116,-

Prices in EUR, valid EXW DE-46354 Südlohn, DE-38820 Halberstadt, unpacked
 Freight charges valid CPT Portugal, islands and oversea territories excluded

Price List 0726 en-PT

Forklift Truck Attachments



Tilting Container Type GU	Category	Price	Freight charges	Price including freight charges
Castor Set, polyamide, Load capacity 1350 kg / castor set	A	192,-	15,-	207,-
Skip Body Welded Oil and Watertight	A	78,-	0,-	78,-
Crane lifting eyes for use with a crane	A	106,-	8,-	114,-
Support legs, 100 mm ground leeway	A	70,-	8,-	78,-
GU 300, hot-dip galvanized	A	866,-	225,-	1091,-
Lid, galvanized	A	98,-	18,-	116,-
Castor Set, polyamide, Load capacity 1350 kg / castor set	A	192,-	15,-	207,-
Skip Body Welded Oil and Watertight	A	78,-	0,-	78,-
Crane lifting eyes for use with a crane	A	106,-	8,-	114,-
Support legs, 100 mm ground leeway	A	70,-	8,-	78,-
GU 500, painted	A	891,-	225,-	1116,-
Lid, galvanized	A	98,-	18,-	116,-
Castor Set, polyamide, Load capacity 1350 kg / castor set	A	192,-	15,-	207,-
Skip Body Welded Oil and Watertight	A	78,-	0,-	78,-
Adjustable dumping brake	A	464,-	10,-	474,-
Crane lifting eyes for use with a crane	A	106,-	8,-	114,-
Support legs, 100 mm ground leeway	A	70,-	8,-	78,-
GU 500, hot-dip galvanized	A	1160,-	225,-	1385,-
Lid, galvanized	A	98,-	18,-	116,-
Castor Set, polyamide, Load capacity 1350 kg / castor set	A	192,-	15,-	207,-
Skip Body Welded Oil and Watertight	A	78,-	0,-	78,-
Adjustable dumping brake	A	464,-	10,-	474,-
Crane lifting eyes for use with a crane	A	106,-	8,-	114,-
Support legs, 100 mm ground leeway	A	70,-	8,-	78,-
GU 750, painted	A	1052,-	225,-	1277,-
Lid, galvanized	A	139,-	26,-	165,-
Castor Set, polyamide, Load capacity 1350 kg / castor set	A	192,-	15,-	207,-
Skip Body Welded Oil and Watertight	A	78,-	0,-	78,-
Adjustable dumping brake	A	464,-	10,-	474,-
Crane lifting eyes for use with a crane	A	106,-	8,-	114,-
Support legs, 100 mm ground leeway	A	70,-	8,-	78,-
GU 750, hot-dip galvanized	A	1371,-	225,-	1596,-
Lid, galvanized	A	139,-	26,-	165,-
Castor Set, polyamide, Load capacity 1350 kg / castor set	A	192,-	15,-	207,-
Skip Body Welded Oil and Watertight	A	78,-	0,-	78,-
Adjustable dumping brake	A	464,-	10,-	474,-
Crane lifting eyes for use with a crane	A	106,-	8,-	114,-
Support legs, 100 mm ground leeway	A	70,-	8,-	78,-
GU 1000, painted	A	1163,-	225,-	1388,-
Lid, galvanized	A	192,-	27,-	219,-
Castor Set, polyamide, Load capacity 1350 kg / castor set	A	192,-	15,-	207,-
Skip Body Welded Oil and Watertight	A	121,-	0,-	121,-
Adjustable dumping brake	A	464,-	10,-	474,-
Crane lifting eyes for use with a crane	A	106,-	8,-	114,-
Support legs, 100 mm ground leeway	A	70,-	8,-	78,-
GU 1000, hot-dip galvanized	A	1647,-	327,-	1974,-

Prices in EUR, valid EXW DE-46354 Südlohn, DE-38820 Halberstadt, unpacked
Freight charges valid CPT Portugal, islands and oversea territories excluded

Price List 0726 en-PT

Forklift Truck Attachments



Tilting Container Type GU	Category	Price	Freight charges	Price including freight charges
Lid, galvanized	A	192,-	27,-	219,-
Castor Set, polyamide, Load capacity 1350 kg / castor set	A	192,-	15,-	207,-
Skip Body Welded Oil and Watertight	A	121,-	0,-	121,-
Adjustable dumping brake	A	464,-	10,-	474,-
Crane lifting eyes for use with a crane	A	106,-	8,-	114,-
Support legs, 100 mm ground leeway	A	70,-	8,-	78,-
GU 1500, painted	A	1357,-	327,-	1684,-
Lid, galvanized	A	192,-	27,-	219,-
Castor Set, polyamide, Load capacity 1350 kg / castor set	A	192,-	15,-	207,-
Skip Body Welded Oil and Watertight	A	121,-	0,-	121,-
Adjustable dumping brake	A	464,-	10,-	474,-
Crane lifting eyes for use with a crane	A	106,-	8,-	114,-
Support legs, 100 mm ground leeway	A	70,-	8,-	78,-
GU 1500, hot-dip galvanized	A	1769,-	327,-	2096,-
Lid, galvanized	A	192,-	27,-	219,-
Castor Set, polyamide, Load capacity 1350 kg / castor set	A	192,-	15,-	207,-
Skip Body Welded Oil and Watertight	A	121,-	0,-	121,-
Adjustable dumping brake	A	464,-	10,-	474,-
Crane lifting eyes for use with a crane	A	106,-	8,-	114,-
Support legs, 100 mm ground leeway	A	70,-	8,-	78,-
GU 2000, painted	A	1675,-	327,-	2002,-
Lid, galvanized	A	226,-	32,-	258,-
Castor Set, polyamide, Load capacity 1350 kg / castor set	A	192,-	15,-	207,-
Skip Body Welded Oil and Watertight	A	121,-	0,-	121,-
Adjustable dumping brake	A	464,-	10,-	474,-
Crane lifting eyes for use with a crane	A	106,-	8,-	114,-
Support legs, 100 mm ground leeway	A	70,-	8,-	78,-
GU 2000, hot-dip galvanized	A	2200,-	327,-	2527,-
Lid, galvanized	A	226,-	32,-	258,-
Castor Set, polyamide, Load capacity 1350 kg / castor set	A	192,-	15,-	207,-
Skip Body Welded Oil and Watertight	A	121,-	0,-	121,-
Adjustable dumping brake	A	464,-	10,-	474,-
Crane lifting eyes for use with a crane	A	106,-	8,-	114,-
Support legs, 100 mm ground leeway	A	70,-	8,-	78,-

Swarf Tilting Container Type GU-E	Category	Price	Freight charges	Price including freight charges
GU-E 300, painted	A	775,-	225,-	1000,-
Lid, galvanized	A	98,-	18,-	116,-
Castor Set, polyamide, Load capacity 1350 kg / castor set	A	192,-	15,-	207,-
Crane lifting eyes for use with a crane	A	106,-	8,-	114,-
Support legs, 100 mm ground leeway	A	70,-	8,-	78,-
GU-E 300, hot-dip galvanized	A	986,-	225,-	1211,-
Lid, galvanized	A	98,-	18,-	116,-
Castor Set, polyamide, Load capacity 1350 kg / castor set	A	192,-	15,-	207,-
Crane lifting eyes for use with a crane	A	106,-	8,-	114,-
Support legs, 100 mm ground leeway	A	70,-	8,-	78,-

Prices in EUR, valid EXW DE-46354 Südlohn, DE-38820 Halberstadt, unpacked
Freight charges valid CPT Portugal, islands and oversea territories excluded

Price List 0726 en-PT

Forklift Truck Attachments



Swarf Tilting Container Type GU-E	Category	Price	Freight charges	Price including freight charges
GU-E 500, painted	A	1012,-	225,-	1237,-
Lid, galvanized	A	98,-	18,-	116,-
Castor Set, polyamide, Load capacity 1350 kg / castor set	A	192,-	15,-	207,-
Adjustable dumping brake	A	464,-	10,-	474,-
Crane lifting eyes for use with a crane	A	106,-	8,-	114,-
Support legs, 100 mm ground leeway	A	70,-	8,-	78,-
GU-E 500, hot-dip galvanized	A	1280,-	225,-	1505,-
Lid, galvanized	A	98,-	18,-	116,-
Castor Set, polyamide, Load capacity 1350 kg / castor set	A	192,-	15,-	207,-
Adjustable dumping brake	A	464,-	10,-	474,-
Crane lifting eyes for use with a crane	A	106,-	8,-	114,-
Support legs, 100 mm ground leeway	A	70,-	8,-	78,-
GU-E 750, painted	A	1172,-	225,-	1397,-
Lid, galvanized	A	139,-	26,-	165,-
Castor Set, polyamide, Load capacity 1350 kg / castor set	A	192,-	15,-	207,-
Adjustable dumping brake	A	464,-	10,-	474,-
Crane lifting eyes for use with a crane	A	106,-	8,-	114,-
Support legs, 100 mm ground leeway	A	70,-	8,-	78,-
GU-E 750, hot-dip galvanized	A	1491,-	225,-	1716,-
Lid, galvanized	A	139,-	26,-	165,-
Castor Set, polyamide, Load capacity 1350 kg / castor set	A	192,-	15,-	207,-
Adjustable dumping brake	A	464,-	10,-	474,-
Crane lifting eyes for use with a crane	A	106,-	8,-	114,-
Support legs, 100 mm ground leeway	A	70,-	8,-	78,-
GU-E 1000, painted	A	1325,-	225,-	1550,-
Lid, galvanized	A	192,-	27,-	219,-
Castor Set, polyamide, Load capacity 1350 kg / castor set	A	192,-	15,-	207,-
Adjustable dumping brake	A	464,-	10,-	474,-
Crane lifting eyes for use with a crane	A	106,-	8,-	114,-
Support legs, 100 mm ground leeway	A	70,-	8,-	78,-
GU-E 1000, hot-dip galvanized	A	1810,-	327,-	2137,-
Lid, galvanized	A	192,-	27,-	219,-
Castor Set, polyamide, Load capacity 1350 kg / castor set	A	192,-	15,-	207,-
Adjustable dumping brake	A	464,-	10,-	474,-
Crane lifting eyes for use with a crane	A	106,-	8,-	114,-
Support legs, 100 mm ground leeway	A	70,-	8,-	78,-
GU-E 1500, painted	A	1520,-	327,-	1847,-
Lid, galvanized	A	192,-	27,-	219,-
Castor Set, polyamide, Load capacity 1350 kg / castor set	A	192,-	15,-	207,-
Adjustable dumping brake	A	464,-	10,-	474,-
Crane lifting eyes for use with a crane	A	106,-	8,-	114,-
Support legs, 100 mm ground leeway	A	70,-	8,-	78,-
GU-E 1500, hot-dip galvanized	A	1932,-	327,-	2259,-
Lid, galvanized	A	192,-	27,-	219,-
Castor Set, polyamide, Load capacity 1350 kg / castor set	A	192,-	15,-	207,-
Adjustable dumping brake	A	464,-	10,-	474,-

Prices in EUR, valid EXW DE-46354 Südlohn, DE-38820 Halberstadt, unpacked
Freight charges valid CPT Portugal, islands and oversea territories excluded

Price List 0726 en-PT

Forklift Truck Attachments



Swarf Tilting Container Type GU-E	Category	Price	Freight charges	Price including freight charges
Crane lifting eyes for use with a crane	A	106,-	8,-	114,-
Support legs, 100 mm ground leeway	A	70,-	8,-	78,-
GU-E 2000, painted	A	1838,-	327,-	2165,-
Lid, galvanized	A	226,-	32,-	258,-
Castor Set, polyamide, Load capacity 1350 kg / castor set	A	192,-	15,-	207,-
Adjustable dumping brake	A	464,-	10,-	474,-
Crane lifting eyes for use with a crane	A	106,-	8,-	114,-
Support legs, 100 mm ground leeway	A	70,-	8,-	78,-
GU-E 2000, hot-dip galvanized	A	2362,-	327,-	2689,-
Lid, galvanized	A	226,-	32,-	258,-
Castor Set, polyamide, Load capacity 1350 kg / castor set	A	192,-	15,-	207,-
Adjustable dumping brake	A	464,-	10,-	474,-
Crane lifting eyes for use with a crane	A	106,-	8,-	114,-
Support legs, 100 mm ground leeway	A	70,-	8,-	78,-
Tilting Container Type GU-RZ	Category	Price	Freight charges	Price including freight charges
GU-RZ 30, painted	A	699,-	225,-	924,-
Lid, galvanized	A	95,-	18,-	113,-
GU-RZ 30, hot-dip galvanized	A	779,-	225,-	1004,-
Lid, galvanized	A	95,-	18,-	113,-
GU-RZ 55, painted	A	931,-	225,-	1156,-
Lid, galvanized	A	95,-	18,-	113,-
GU-RZ 55, hot-dip galvanized	A	1026,-	225,-	1251,-
Lid, galvanized	A	95,-	18,-	113,-
Fork Protection Type GZS	Category	Price	Freight charges	Price including freight charges
GZS, painted	F	179,-	60,-	239,-
Container With Drop Away Base Type HKB	Category	Price	Freight charges	Price including freight charges
HKB 60, painted	A	1078,-	225,-	1303,-
HKB 70, painted	A	1140,-	225,-	1365,-
HKB 90, painted	A	1417,-	225,-	1642,-
Shovel Type HVR	Category	Price	Freight charges	Price including freight charges
HVR 50, painted	A	3393,-	327,-	3720,-
HVR 75, painted	A	3976,-	398,-	4374,-
HVR 80 L, painted	A	4095,-	398,-	4493,-
HVR 100, painted	A	5033,-	567,-	5600,-
HVR 150, painted	A	6432,-	567,-	6999,-
Kippomat Type KG-A	Category	Price	Freight charges	Price including freight charges
KG-A, hot-dip galvanized	A	3218,-	327,-	3545,-
Kippomat Type KG-B	Category	Price	Freight charges	Price including freight charges
KG-B, hot-dip galvanized	A	3137,-	327,-	3464,-

Prices in EUR, valid EXW DE-46354 Südlohn, DE-38820 Halberstadt, unpacked
Freight charges valid CPT Portugal, islands and oversea territories excluded

Price List 0726 en-PT

Forklift Truck Attachments



Kippomat Type KG-C	Category	Price	Freight charges	Price including freight charges
KG-C, hot-dip galvanized	A	2081,-	225,-	2306,-
Tipping Skip Type KK	Category	Price	Freight charges	Price including freight charges
KK 250, painted	E	484,-	141,-	625,-
Lid, galvanized	E	136,-	15,-	151,-
Castor Set, polyamide, Load capacity 1050 kg / castor set	A	136,-	15,-	151,-
Castor Set, solid rubber, Load capacity 615 kg / castor set	E	103,-	15,-	118,-
KK 250, hot-dip galvanized	E	534,-	141,-	675,-
Lid, galvanized	E	136,-	15,-	151,-
Castor Set, polyamide, Load capacity 1050 kg / castor set	A	136,-	15,-	151,-
Castor Set, solid rubber, Load capacity 615 kg / castor set	E	103,-	15,-	118,-
KK 400, painted	E	551,-	141,-	692,-
Lid, galvanized	E	156,-	16,-	172,-
Castor Set, polyamide, Load capacity 1050 kg / castor set	A	136,-	15,-	151,-
Castor Set, solid rubber, Load capacity 615 kg / castor set	E	103,-	15,-	118,-
KK 400, hot-dip galvanized	E	600,-	141,-	741,-
Lid, galvanized	E	156,-	16,-	172,-
Castor Set, polyamide, Load capacity 1050 kg / castor set	A	136,-	15,-	151,-
Castor Set, solid rubber, Load capacity 615 kg / castor set	E	103,-	15,-	118,-
KK 600, painted	E	764,-	225,-	989,-
Lid, galvanized	E	173,-	20,-	193,-
Castor Set, polyamide, Load capacity 1050 kg / castor set	A	136,-	15,-	151,-
Castor Set, solid rubber, Load capacity 615 kg / castor set	E	103,-	15,-	118,-
KK 600, hot-dip galvanized	E	865,-	225,-	1090,-
Castor Set, solid rubber, Load capacity 615 kg / castor set	E	103,-	15,-	118,-
Lid, galvanized	E	173,-	20,-	193,-
Castor Set, polyamide, Load capacity 1050 kg / castor set	A	136,-	15,-	151,-
KK 800, painted	E	823,-	225,-	1048,-
Lid, galvanized	E	181,-	21,-	202,-
Castor Set, polyamide, Load capacity 1050 kg / castor set	A	136,-	15,-	151,-
Castor Set, solid rubber, Load capacity 615 kg / castor set	E	103,-	15,-	118,-
KK 800, hot-dip galvanized	E	930,-	225,-	1155,-
Lid, galvanized	E	181,-	21,-	202,-
Castor Set, polyamide, Load capacity 1050 kg / castor set	A	136,-	15,-	151,-
Castor Set, solid rubber, Load capacity 615 kg / castor set	E	103,-	15,-	118,-
KK 1000, painted	E	881,-	225,-	1106,-
Lid, galvanized	E	193,-	22,-	215,-
Castor Set, polyamide, Load capacity 1050 kg / castor set	A	136,-	15,-	151,-
Castor Set, solid rubber, Load capacity 615 kg / castor set	E	103,-	15,-	118,-
KK 1000, hot-dip galvanized	E	1014,-	225,-	1239,-
Lid, galvanized	E	193,-	22,-	215,-
Castor Set, polyamide, Load capacity 1050 kg / castor set	A	136,-	15,-	151,-
Castor Set, solid rubber, Load capacity 615 kg / castor set	E	103,-	15,-	118,-

Prices in EUR, valid EXW DE-46354 Südlohn, DE-38820 Halberstadt, unpacked
Freight charges valid CPT Portugal, islands and oversea territories excluded

Price List 0726 en-PT

Forklift Truck Attachments



Kippomat Type KM	Category	Price	Freight charges	Price including freight charges
KM, hot-dip galvanized	A	3218,-	225,-	3443,-

Tipping Skip Type KN	Category	Price	Freight charges	Price including freight charges
KN 250, painted	E	484,-	141,-	625,-
Lid, galvanized	E	136,-	15,-	151,-
Castor Set, polyamide, Load capacity 1050 kg / castor set	A	136,-	15,-	151,-
Castor Set, solid rubber, Load capacity 615 kg / castor set	E	103,-	15,-	118,-
KN 250, hot-dip galvanized	E	534,-	141,-	675,-
Lid, galvanized	E	136,-	15,-	151,-
Castor Set, polyamide, Load capacity 1050 kg / castor set	A	136,-	15,-	151,-
Castor Set, solid rubber, Load capacity 615 kg / castor set	E	103,-	15,-	118,-
KN 400, painted	E	551,-	141,-	692,-
Lid, galvanized	E	156,-	16,-	172,-
Castor Set, polyamide, Load capacity 1050 kg / castor set	A	136,-	15,-	151,-
Castor Set, solid rubber, Load capacity 615 kg / castor set	E	103,-	15,-	118,-
KN 400, hot-dip galvanized	E	600,-	141,-	741,-
Lid, galvanized	E	156,-	16,-	172,-
Castor Set, polyamide, Load capacity 1050 kg / castor set	A	136,-	15,-	151,-
Castor Set, solid rubber, Load capacity 615 kg / castor set	E	103,-	15,-	118,-

Tipping Skip Type KS	Category	Price	Freight charges	Price including freight charges
KS 400, painted	E	900,-	225,-	1125,-
KS 550, painted	E	964,-	225,-	1189,-
KS 700, painted	E	1024,-	225,-	1249,-

Extensible Crane Arm Type KT	Category	Price	Freight charges	Price including freight charges
KT 2,5, painted	A	1448,-	225,-	1673,-
KT 2,5, hot-dip galvanized	A	1763,-	327,-	2090,-
KT 5,0, painted	A	1798,-	327,-	2125,-
KT 5,0, hot-dip galvanized	A	2242,-	327,-	2569,-

Extensible Crane Arm Type KTH	Category	Price	Freight charges	Price including freight charges
KTH 2,5, painted	A	1748,-	327,-	2075,-
KTH 2,5, hot-dip galvanized	A	2068,-	327,-	2395,-
KTH 5,0, painted	A	2012,-	327,-	2339,-
KTH 5,0, hot-dip galvanized	A	2373,-	327,-	2700,-

Extensible Crane Arm Type KTH-K	Category	Price	Freight charges	Price including freight charges
KTH-K 2,5, painted	A	1606,-	225,-	1831,-
KTH-K 2,5, hot-dip galvanized	A	1943,-	225,-	2168,-
KTH-K 5,0, painted	A	1852,-	225,-	2077,-
KTH-K 5,0, hot-dip galvanized	A	2232,-	327,-	2559,-

Extensible Crane Arm Type KT-K	Category	Price	Freight charges	Price including freight charges
KT-K 2,5, painted	A	1291,-	225,-	1516,-

Prices in EUR, valid EXW DE-46354 Südlohn, DE-38820 Halberstadt, unpacked
Freight charges valid CPT Portugal, islands and oversea territories excluded

Price List 0726 en-PT

Forklift Truck Attachments



Extensible Crane Arm Type KT-K	Category	Price	Freight charges	Price including freight charges
KT-K 2,5, hot-dip galvanized	A	1622,-	225,-	1847,-
KT-K 5,0, painted	A	1625,-	225,-	1850,-
KT-K 5,0, hot-dip galvanized	A	2092,-	225,-	2317,-
Barrow Tipper Type KW-ET	Category	Price	Freight charges	Price including freight charges
KW-ET 250, painted	E	588,-	141,-	729,-
Lid, galvanized	E	136,-	15,-	151,-
KW-ET 250, hot-dip galvanized	E	900,-	141,-	1041,-
Lid, galvanized	E	136,-	15,-	151,-
KW-ET 400, painted	E	648,-	141,-	789,-
Lid, galvanized	E	156,-	16,-	172,-
KW-ET 400, hot-dip galvanized	E	998,-	141,-	1139,-
Lid, galvanized	E	156,-	16,-	172,-
KW-ET 600, painted	E	808,-	225,-	1033,-
Lid, galvanized	E	173,-	20,-	193,-
KW-ET 600, hot-dip galvanized	E	1166,-	225,-	1391,-
Lid, galvanized	E	173,-	20,-	193,-
KW-ET 1000, painted	E	997,-	225,-	1222,-
Lid, galvanized	E	193,-	22,-	215,-
KW-ET 1000, hot-dip galvanized	E	1591,-	225,-	1816,-
Lid, galvanized	E	193,-	22,-	215,-
Loading Arm Type LA	Category	Price	Freight charges	Price including freight charges
LA 1600-1,0, painted	A	542,-	141,-	683,-
LA 1600-1,0, hot-dip galvanized	A	581,-	141,-	722,-
LA 1600-2,5, painted	A	786,-	141,-	927,-
LA 1600-2,5, hot-dip galvanized	A	927,-	141,-	1068,-
LA 1600-5,0, painted	A	1133,-	225,-	1358,-
LA 1600-5,0, hot-dip galvanized	A	1325,-	225,-	1550,-
LA 2400-1,0, painted	A	569,-	141,-	710,-
LA 2400-1,0, hot-dip galvanized	A	632,-	141,-	773,-
LA 2400-2,5, painted	A	877,-	225,-	1102,-
LA 2400-2,5, hot-dip galvanized	A	1017,-	225,-	1242,-
LA 2400-5,0, painted	A	1250,-	225,-	1475,-
LA 2400-5,0, hot-dip galvanized	A	1480,-	225,-	1705,-
LA 25-1,0, painted	A	632,-	141,-	773,-
LA 25-1,0, hot-dip galvanized	A	683,-	141,-	824,-
Loading Arm Type LAT	Category	Price	Freight charges	Price including freight charges
LAT 25-1,0, painted	A	766,-	141,-	907,-
LAT 25-1,0, hot-dip galvanized	A	838,-	141,-	979,-
Scissor Gripper Type LG	Category	Price	Freight charges	Price including freight charges
LG 60, painted	B	245,-	60,-	305,-
LG 60, galvanized	B	223,-	60,-	283,-

Prices in EUR, valid EXW DE-46354 Südlohn, DE-38820 Halberstadt, unpacked
Freight charges valid CPT Portugal, islands and oversea territories excluded

Price List 0726 en-PT

Forklift Truck Attachments



Scissor Gripper Type LG	Category	Price	Freight charges	Price including freight charges
LG 200, painted	B	245,-	60,-	305,-
LG 200, galvanized	B	223,-	60,-	283,-

Container for Long Material Type LGK	Category	Price	Freight charges	Price including freight charges
LGK, painted	A	1376,-	225,-	1601,-
Castor Set, polyamide, Load capacity 1350 kg / castor set	A	192,-	15,-	207,-
LGK, hot-dip galvanized	A	1676,-	225,-	1901,-
Castor Set, polyamide, Load capacity 1350 kg / castor set	A	192,-	15,-	207,-

Long Material Carrier Type LGT	Category	Price	Freight charges	Price including freight charges
LGT 1,5, painted	A	1929,-	327,-	2256,-
LGT 1,5, hot-dip galvanized	A	2263,-	327,-	2590,-
LGT 2,5, painted	A	2164,-	on request	on request
LGT 2,5, hot-dip galvanized	A	2590,-	on request	on request
LGT 3,5, painted	A	2989,-	on request	on request
LGT 3,5, hot-dip galvanized	A	3670,-	on request	on request
LGT 4,5, painted	A	3302,-	on request	on request
LGT 4,5, hot-dip galvanized	A	4071,-	on request	on request

Drum Claw Type LGZ	Category	Price	Freight charges	Price including freight charges
LGZ 60, painted	B	225,-	60,-	285,-
LGZ 60, galvanized	B	211,-	60,-	271,-
LGZ 200, painted	B	225,-	60,-	285,-
LGZ 200, galvanized	B	211,-	60,-	271,-

Crane Hook Type LH	Category	Price	Freight charges	Price including freight charges
LH-I 1,0, painted	A	199,-	60,-	259,-
LH-I 1,0, hot-dip galvanized	A	223,-	60,-	283,-
LH-I 1,5, painted	A	218,-	60,-	278,-
LH-I 1,5, hot-dip galvanized	A	242,-	60,-	302,-
LH-I 2,0, painted	A	229,-	60,-	289,-
LH-I 2,0, hot-dip galvanized	A	254,-	60,-	314,-
LH-I 2,5, painted	A	255,-	60,-	315,-
LH-I 2,5, hot-dip galvanized	A	279,-	60,-	339,-
LH-I 3,0, painted	A	331,-	60,-	391,-
LH-I 3,0, hot-dip galvanized	A	356,-	60,-	416,-
LH-II 1,5, painted	A	329,-	60,-	389,-
LH-II 1,5, hot-dip galvanized	A	378,-	60,-	438,-
LH-II 2,5, painted	A	434,-	60,-	494,-
LH-II 2,5, hot-dip galvanized	A	516,-	60,-	576,-
LH-II 5,0, painted	A	720,-	141,-	861,-
LH-II 5,0, hot-dip galvanized	A	808,-	141,-	949,-
LH-II 7,5, painted	A	856,-	141,-	997,-
LH-II 7,5, hot-dip galvanized	A	949,-	141,-	1090,-

Prices in EUR, valid EXW DE-46354 Südlohn, DE-38820 Halberstadt, unpacked
 Freight charges valid CPT Portugal, islands and oversea territories excluded

Price List 0726 en-PT

Forklift Truck Attachments



Long Load Handler Type LSL	Category	Price	Freight charges	Price including freight charges
LSL, painted	A	1141,-	225,-	1366,-
LSL, hot-dip galvanized	A	1310,-	225,-	1535,-
Long Material Sidecar Type LSW	Category	Price	Freight charges	Price including freight charges
LSW 1,3, painted	A	953,-	141,-	1094,-
LSW 1,3, hot-dip galvanized	A	1017,-	225,-	1242,-
LSW 2,5, painted	A	1132,-	141,-	1273,-
LSW 2,5, hot-dip galvanized	A	1197,-	225,-	1422,-
Access Safety Platform Type MB-B	Category	Price	Freight charges	Price including freight charges
MB-B, painted	A	1085,-	225,-	1310,-
Castor Set, polyamide, Load capacity 1050 kg / castor set	A	136,-	15,-	151,-
Access Safety Platform Type MB-B/L	Category	Price	Freight charges	Price including freight charges
MB-B/L, painted	A	1274,-	225,-	1499,-
Castor Set, polyamide, Load capacity 1050 kg / castor set	A	136,-	15,-	151,-
Access Safety Platform Type MB-D	Category	Price	Freight charges	Price including freight charges
MB-D, painted	A	908,-	225,-	1133,-
Castor Set, polyamide, Load capacity 1050 kg / castor set	A	136,-	15,-	151,-
Access Safety Platform Type MB-D/L	Category	Price	Freight charges	Price including freight charges
MB-D/L, painted	A	1096,-	225,-	1321,-
Castor Set, polyamide, Load capacity 1050 kg / castor set	A	136,-	15,-	151,-
Access Safety Platform Type MB-F	Category	Price	Freight charges	Price including freight charges
MB-F, painted	A	1074,-	225,-	1299,-
Castor Set, polyamide, Load capacity 1050 kg / castor set	A	136,-	15,-	151,-
Access Safety Platform Type MB-II	Category	Price	Freight charges	Price including freight charges
MB-II, painted	A	994,-	225,-	1219,-
Castor Set, polyamide, Load capacity 1050 kg / castor set	A	136,-	15,-	151,-
MB-II, hot-dip galvanized	A	1171,-	225,-	1396,-
Castor Set, polyamide, Load capacity 1050 kg / castor set	A	136,-	15,-	151,-
Access Safety Platform Type MB-K-IV	Category	Price	Freight charges	Price including freight charges
MB-K-IV, painted	A	2012,-	278,-	2290,-
Access Safety Platform Type MB-ST	Category	Price	Freight charges	Price including freight charges
MB-ST, painted	A	2576,-	225,-	2801,-
Castor Set, polyamide, Load capacity 1050 kg / castor set	A	136,-	15,-	151,-
Access Safety Platform Type MB-ST/L	Category	Price	Freight charges	Price including freight charges
MB-ST/L, painted	A	2764,-	225,-	2989,-

Prices in EUR, valid EXW DE-46354 Südlohn, DE-38820 Halberstadt, unpacked
Freight charges valid CPT Portugal, islands and oversea territories excluded

Price List 0726 en-PT

Forklift Truck Attachments



Access Safety Platform Type MB-ST/L	Category	Price	Freight charges	Price including freight charges
Castor Set, polyamide, Load capacity 1050 kg / castor set	A	136,-	15,-	151,-
Access Safety Platform Type MB-ST/T	Category	Price	Freight charges	Price including freight charges
MB-ST/T, painted	A	2903,-	225,-	3128,-
Castor Set, polyamide, Load capacity 1050 kg / castor set	A	136,-	15,-	151,-
Access Safety Platform Type MB-ST/T/L	Category	Price	Freight charges	Price including freight charges
MB-ST/T/L, painted	A	3092,-	225,-	3317,-
Castor Set, polyamide, Load capacity 1050 kg / castor set	A	136,-	15,-	151,-
Mini Tilting Container Type MGU	Category	Price	Freight charges	Price including freight charges
MGU 230, painted	A	569,-	141,-	710,-
Lid, galvanized	A	131,-	18,-	149,-
Castor Set, polyamide, Load capacity 1050 kg / castor set	A	156,-	15,-	171,-
Skip Body Welded Oil and Watertight	A	78,-	0,-	78,-
MGU 230, hot-dip galvanized	A	655,-	225,-	880,-
Lid, galvanized	A	131,-	18,-	149,-
Castor Set, polyamide, Load capacity 1050 kg / castor set	A	156,-	15,-	171,-
Skip Body Welded Oil and Watertight	A	78,-	0,-	78,-
MGU 270, painted	A	621,-	225,-	846,-
Lid, galvanized	A	131,-	18,-	149,-
Castor Set, polyamide, Load capacity 1050 kg / castor set	A	156,-	15,-	171,-
Skip Body Welded Oil and Watertight	A	78,-	0,-	78,-
MGU 270, hot-dip galvanized	A	729,-	225,-	954,-
Lid, galvanized	A	131,-	18,-	149,-
Castor Set, polyamide, Load capacity 1050 kg / castor set	A	156,-	15,-	171,-
Skip Body Welded Oil and Watertight	A	78,-	0,-	78,-
MGU 460, painted	A	815,-	225,-	1040,-
Lid, galvanized	A	169,-	22,-	191,-
Castor Set, polyamide, Load capacity 1050 kg / castor set	A	156,-	15,-	171,-
Skip Body Welded Oil and Watertight	A	78,-	0,-	78,-
MGU 460, hot-dip galvanized	A	967,-	225,-	1192,-
Lid, galvanized	A	169,-	22,-	191,-
Castor Set, polyamide, Load capacity 1050 kg / castor set	A	156,-	15,-	171,-
Skip Body Welded Oil and Watertight	A	78,-	0,-	78,-
MGU 610, painted	A	919,-	225,-	1144,-
Lid, galvanized	A	181,-	26,-	207,-
Castor Set, polyamide, Load capacity 1050 kg / castor set	A	156,-	15,-	171,-
Skip Body Welded Oil and Watertight	A	78,-	0,-	78,-
MGU 610, hot-dip galvanized	A	1089,-	225,-	1314,-
Lid, galvanized	A	181,-	26,-	207,-
Castor Set, polyamide, Load capacity 1050 kg / castor set	A	156,-	15,-	171,-
Skip Body Welded Oil and Watertight	A	78,-	0,-	78,-

Prices in EUR, valid EXW DE-46354 Südlohn, DE-38820 Halberstadt, unpacked
Freight charges valid CPT Portugal, islands and oversea territories excluded

Price List 0726 en-PT

Forklift Truck Attachments



Wheelie Bin Jack Type MH	Category	Price	Freight charges	Price including freight charges
MH-I, painted	A	657,-	141,-	798,-
MH-II, painted	A	725,-	141,-	866,-
MH-III, painted	A	784,-	141,-	925,-
Wheelie Bin Tipper Type MK	Category	Price	Freight charges	Price including freight charges
MK 120, painted	A	1273,-	141,-	1414,-
MK 240, painted	A	1273,-	141,-	1414,-
Wheelie Bin Tipper Type MK-H	Category	Price	Freight charges	Price including freight charges
MK-H 120, painted	A	1902,-	141,-	2043,-
MK-H 240, painted	A	1902,-	225,-	2127,-
Mini Container With Drop Away Base Type MSB	Category	Price	Freight charges	Price including freight charges
MSB 150, painted	A	636,-	141,-	777,-
Castor Set, polyamide, Load capacity 1050 kg / castor set	A	156,-	15,-	171,-
Guiding Plates, galvanized	A	73,-	12,-	85,-
MSB 150, hot-dip galvanized	A	746,-	141,-	887,-
Castor Set, polyamide, Load capacity 1050 kg / castor set	A	156,-	15,-	171,-
Guiding Plates, galvanized	A	73,-	12,-	85,-
MSB 250, painted	A	690,-	141,-	831,-
Castor Set, polyamide, Load capacity 1050 kg / castor set	A	156,-	15,-	171,-
Guiding Plates, galvanized	A	73,-	12,-	85,-
MSB 250, hot-dip galvanized	A	826,-	141,-	967,-
Castor Set, polyamide, Load capacity 1050 kg / castor set	A	156,-	15,-	171,-
Guiding Plates, galvanized	A	73,-	12,-	85,-
MSB 400, painted	A	850,-	141,-	991,-
Castor Set, polyamide, Load capacity 1050 kg / castor set	A	156,-	15,-	171,-
Guiding Plates, galvanized	A	73,-	12,-	85,-
MSB 400, hot-dip galvanized	A	1018,-	225,-	1243,-
Castor Set, polyamide, Load capacity 1050 kg / castor set	A	156,-	15,-	171,-
Guiding Plates, galvanized	A	73,-	12,-	85,-
Tilting Container Type NK	Category	Price	Freight charges	Price including freight charges
NK 30, painted	A	700,-	225,-	925,-
Lid, galvanized	A	98,-	15,-	113,-
Castor Set, polyamide, Load capacity 1350 kg / castor set	A	192,-	15,-	207,-
Skip Body Welded Oil and Watertight	A	78,-	0,-	78,-
NK 30, hot-dip galvanized	A	984,-	225,-	1209,-
Lid, galvanized	A	98,-	15,-	113,-
Castor Set, polyamide, Load capacity 1350 kg / castor set	A	192,-	15,-	207,-
Skip Body Welded Oil and Watertight	A	78,-	0,-	78,-
NK 50, painted	A	984,-	225,-	1209,-
Lid, galvanized	A	98,-	18,-	116,-
Castor Set, polyamide, Load capacity 1350 kg / castor set	A	192,-	15,-	207,-
Skip Body Welded Oil and Watertight	A	78,-	0,-	78,-

Prices in EUR, valid EXW DE-46354 Südlohn, DE-38820 Halberstadt, unpacked
Freight charges valid CPT Portugal, islands and oversea territories excluded

Price List 0726 en-PT

Forklift Truck Attachments



Tilting Container Type NK	Category	Price	Freight charges	Price including freight charges
NK 50, hot-dip galvanized	A	1327,-	225,-	1552,-
Lid, galvanized	A	98,-	18,-	116,-
Castor Set, polyamide, Load capacity 1350 kg / castor set	A	192,-	15,-	207,-
Skip Body Welded Oil and Watertight	A	78,-	0,-	78,-
NK 75, painted	A	1115,-	327,-	1442,-
Lid, galvanized	A	142,-	22,-	164,-
Castor Set, polyamide, Load capacity 1350 kg / castor set	A	192,-	15,-	207,-
Skip Body Welded Oil and Watertight	A	78,-	0,-	78,-
NK 75, hot-dip galvanized	A	1743,-	327,-	2070,-
Lid, galvanized	A	142,-	22,-	164,-
Castor Set, polyamide, Load capacity 1350 kg / castor set	A	192,-	15,-	207,-
Skip Body Welded Oil and Watertight	A	78,-	0,-	78,-
NK 100, painted	A	1508,-	327,-	1835,-
Lid, galvanized	A	173,-	27,-	200,-
Castor Set, polyamide, Load capacity 1350 kg / castor set	A	192,-	15,-	207,-
Skip Body Welded Oil and Watertight	A	121,-	0,-	121,-
NK 100, hot-dip galvanized	A	2070,-	327,-	2397,-
Lid, galvanized	A	173,-	27,-	200,-
Castor Set, polyamide, Load capacity 1350 kg / castor set	A	192,-	15,-	207,-
Skip Body Welded Oil and Watertight	A	121,-	0,-	121,-
Cylindrical Container Type RB	Category	Price	Freight charges	Price including freight charges
RB 300, painted	A	679,-	141,-	820,-
Lid, aluminium	A	160,-	14,-	174,-
Castor Set, polyamide, Load capacity 1050 kg / castor set	A	156,-	15,-	171,-
RB 450, painted	A	793,-	141,-	934,-
Lid, aluminium	A	160,-	14,-	174,-
Castor Set, polyamide, Load capacity 1050 kg / castor set	A	156,-	15,-	171,-
Tilting Container Type RD	Category	Price	Freight charges	Price including freight charges
RD 750, painted	A	1202,-	327,-	1529,-
Castor Set, polyamide, Load capacity 1350 kg / castor set	A	192,-	15,-	207,-
Skip Body Welded Oil and Watertight	A	78,-	0,-	78,-
RD 750, hot-dip galvanized	A	1602,-	327,-	1929,-
Castor Set, polyamide, Load capacity 1350 kg / castor set	A	192,-	15,-	207,-
Skip Body Welded Oil and Watertight	A	78,-	0,-	78,-
RD 1000, painted	A	1449,-	327,-	1776,-
Castor Set, polyamide, Load capacity 1350 kg / castor set	A	192,-	15,-	207,-
Skip Body Welded Oil and Watertight	A	121,-	0,-	121,-
RD 1000, hot-dip galvanized	A	1933,-	327,-	2260,-
Castor Set, polyamide, Load capacity 1350 kg / castor set	A	192,-	15,-	207,-
Skip Body Welded Oil and Watertight	A	121,-	0,-	121,-
Platform for Off-Cuts Type RGP	Category	Price	Freight charges	Price including freight charges
RGP-1, painted	A	2437,-	on request	on request

Prices in EUR, valid EXW DE-46354 Südlohn, DE-38820 Halberstadt, unpacked
Freight charges valid CPT Portugal, islands and oversea territories excluded

Price List 0726 en-PT

Forklift Truck Attachments



Platform for Off-Cuts Type RGP	Category	Price	Freight charges	Price including freight charges
RGP-1, hot-dip galvanized	A	3118,-	on request	on request
RGP-2, painted	A	2669,-	on request	on request
RGP-2, hot-dip galvanized	A	3558,-	on request	on request
RGP-3, painted	A	2907,-	on request	on request
RGP-3, hot-dip galvanized	A	3916,-	on request	on request
Shunting Aid Type RH	Category	Price	Freight charges	Price including freight charges
RH, painted	A	426,-	60,-	486,-
Shunting Aid Type RH-AC	Category	Price	Freight charges	Price including freight charges
RH-AC, painted	A	2305,-	327,-	2632,-
Shunting Aid Type RH-RA	Category	Price	Freight charges	Price including freight charges
RH-RA, painted	A	1586,-	141,-	1727,-
Shunting Aid Type RH-RAK	Category	Price	Freight charges	Price including freight charges
RH-RAK, painted	A	1691,-	141,-	1832,-
Shunting Aid Type RH-RM	Category	Price	Freight charges	Price including freight charges
RH-RM, painted	A	1178,-	141,-	1319,-
Shunting Aid Type RH-RMK	Category	Price	Freight charges	Price including freight charges
RH-RMK, painted	A	1285,-	141,-	1426,-
Drum Lifter Type RS 60	Category	Price	Freight charges	Price including freight charges
RS 60-I, painted	B	1013,-	141,-	1154,-
RS 60-I, hot-dip galvanized	B	1076,-	141,-	1217,-
RS 60-II, painted	B	1713,-	141,-	1854,-
RS 60-II, hot-dip galvanized	B	1798,-	141,-	1939,-
Drum Lifter Type RS	Category	Price	Freight charges	Price including freight charges
RS-I/91, painted	B	1701,-	225,-	1926,-
RS-I/91, hot-dip galvanized	B	1945,-	225,-	2170,-
RS-II/91, painted	B	2948,-	225,-	3173,-
RS-II/91, hot-dip galvanized	B	3320,-	225,-	3545,-
RS-I/M, painted	B	1556,-	141,-	1697,-
RS-I/M, hot-dip galvanized	B	1798,-	225,-	2023,-
RS-II/M, painted	B	2663,-	225,-	2888,-
RS-II/M, hot-dip galvanized	B	3030,-	225,-	3255,-
Drum Lifter Type RS/D 91	Category	Price	Freight charges	Price including freight charges
RS-I/D 91, painted	B	1488,-	225,-	1713,-
RS-I/D 91, hot-dip galvanized	B	1730,-	225,-	1955,-
RS-II/D 91, painted	B	2521,-	225,-	2746,-

Prices in EUR, valid EXW DE-46354 Südlohn, DE-38820 Halberstadt, unpacked
Freight charges valid CPT Portugal, islands and oversea territories excluded

Price List 0726 en-PT

Forklift Truck Attachments



Drum Lifter Type RS/D 91	Category	Price	Freight charges	Price including freight charges
RS-II/D 91, hot-dip galvanized	B	2887,-	225,-	3112,-

Swarf Tilting Container Type S3S	Category	Price	Freight charges	Price including freight charges
S3S 300, painted	A	1357,-	225,-	1582,-
Lid, galvanized	A	174,-	18,-	192,-
Castor Set, polyamide, Load capacity 1050 kg / castor set	A	136,-	15,-	151,-
S3S 300, hot-dip galvanized	A	1454,-	327,-	1781,-
Lid, galvanized	A	174,-	18,-	192,-
Castor Set, polyamide, Load capacity 1050 kg / castor set	A	136,-	15,-	151,-
S3S 600, painted	A	1413,-	327,-	1740,-
Lid, galvanized	A	196,-	22,-	218,-
Castor Set, polyamide, Load capacity 1050 kg / castor set	A	136,-	15,-	151,-
S3S 600, hot-dip galvanized	A	1514,-	327,-	1841,-
Lid, galvanized	A	196,-	22,-	218,-
Castor Set, polyamide, Load capacity 1050 kg / castor set	A	136,-	15,-	151,-

Swarf Tilting Container Type S4A	Category	Price	Freight charges	Price including freight charges
S4A 600, painted	A	1271,-	225,-	1496,-
Lid, galvanized	A	196,-	22,-	218,-
S4A 600, hot-dip galvanized	A	1418,-	225,-	1643,-
Lid, galvanized	A	196,-	22,-	218,-
S4A 900, painted	A	1408,-	327,-	1735,-
Lid, galvanized	A	223,-	27,-	250,-
S4A 900, hot-dip galvanized	A	1595,-	327,-	1922,-
Lid, galvanized	A	223,-	27,-	250,-
S4A 1200, painted	A	1497,-	327,-	1824,-
Lid, galvanized	A	223,-	26,-	249,-
S4A 1200, hot-dip galvanized	A	1730,-	327,-	2057,-
Lid, galvanized	A	223,-	26,-	249,-

Container With Drop Away Base Type SB	Category	Price	Freight charges	Price including freight charges
SB 500, painted	B	1000,-	225,-	1225,-
Lid, galvanized	B	143,-	16,-	159,-
Castor Set, polyamide, Load capacity 1350 kg / castor set	A	192,-	15,-	207,-
Heavy-duty Castor Set, polyamide, Load capacity 2550 kg / castor set	A	379,-	15,-	394,-
SB 500, hot-dip galvanized	B	1303,-	225,-	1528,-
Lid, galvanized	B	143,-	16,-	159,-
Castor Set, polyamide, Load capacity 1350 kg / castor set	A	192,-	15,-	207,-
Heavy-duty Castor Set, polyamide, Load capacity 2550 kg / castor set	A	379,-	15,-	394,-
SB 750, painted	B	1094,-	225,-	1319,-
Lid, galvanized	B	143,-	16,-	159,-
Castor Set, polyamide, Load capacity 1350 kg / castor set	A	192,-	15,-	207,-
Heavy-duty Castor Set, polyamide, Load capacity 2550 kg / castor set	A	379,-	15,-	394,-
SB 750, hot-dip galvanized	B	1520,-	327,-	1847,-
Lid, galvanized	B	143,-	16,-	159,-

Prices in EUR, valid EXW DE-46354 Südlohn, DE-38820 Halberstadt, unpacked
Freight charges valid CPT Portugal, islands and oversea territories excluded

Price List 0726 en-PT

Forklift Truck Attachments



Container With Drop Away Base Type SB	Category	Price	Freight charges	Price including freight charges
Castor Set, polyamide, Load capacity 1350 kg / castor set	A	192,-	15,-	207,-
Heavy-duty Castor Set, polyamide, Load capacity 2550 kg / castor set	A	379,-	15,-	394,-
SB 1000, painted	B	1295,-	327,-	1622,-
Lid, galvanized	B	143,-	16,-	159,-
Castor Set, polyamide, Load capacity 1350 kg / castor set	A	192,-	15,-	207,-
Heavy-duty Castor Set, polyamide, Load capacity 2550 kg / castor set	A	379,-	15,-	394,-
SB 1000, hot-dip galvanized	B	1801,-	327,-	2128,-
Lid, galvanized	B	143,-	16,-	159,-
Castor Set, polyamide, Load capacity 1350 kg / castor set	A	192,-	15,-	207,-
Heavy-duty Castor Set, polyamide, Load capacity 2550 kg / castor set	A	379,-	15,-	394,-
SB 1500, painted	B	1755,-	327,-	2082,-
Lid, galvanized	B	254,-	21,-	275,-
Castor Set, polyamide, Load capacity 1350 kg / castor set	A	192,-	15,-	207,-
Heavy-duty Castor Set, polyamide, Load capacity 2550 kg / castor set	A	379,-	15,-	394,-
SB 1500, hot-dip galvanized	B	2443,-	398,-	2841,-
Lid, galvanized	B	254,-	21,-	275,-
Castor Set, polyamide, Load capacity 1350 kg / castor set	A	192,-	15,-	207,-
Heavy-duty Castor Set, polyamide, Load capacity 2550 kg / castor set	A	379,-	15,-	394,-
SB 2000, painted	B	1803,-	398,-	2201,-
Lid, galvanized	B	254,-	21,-	275,-
Castor Set, polyamide, Load capacity 1350 kg / castor set	A	192,-	15,-	207,-
Heavy-duty Castor Set, polyamide, Load capacity 2550 kg / castor set	A	379,-	15,-	394,-
SB 2000, hot-dip galvanized	B	2581,-	398,-	2979,-
Lid, galvanized	B	254,-	21,-	275,-
Castor Set, polyamide, Load capacity 1350 kg / castor set	A	192,-	15,-	207,-
Heavy-duty Castor Set, polyamide, Load capacity 2550 kg / castor set	A	379,-	15,-	394,-
Collecting System Type SBS	Category	Price	Freight charges	Price including freight charges
SBS 500, painted	C	399,-	225,-	624,-
Trolley TW 500, hot-dip galvanized	C	258,-	141,-	399,-
SBS 500, hot-dip galvanized	C	472,-	225,-	697,-
Trolley TW 500, hot-dip galvanized	C	258,-	141,-	399,-
SBS 1000, painted	C	509,-	225,-	734,-
Trolley TW 1000, hot-dip galvanized	C	297,-	141,-	438,-
SBS 1000, hot-dip galvanized	C	626,-	225,-	851,-
Trolley TW 1000, hot-dip galvanized	C	297,-	141,-	438,-
SBS 2000, painted	C	807,-	380,-	1187,-
Trolley TW 2000, hot-dip galvanized	C	505,-	141,-	646,-
SBS 2000, hot-dip galvanized	C	968,-	380,-	1348,-
Trolley TW 2000, hot-dip galvanized	C	505,-	141,-	646,-
Filling Hopper Type SBT	Category	Price	Freight charges	Price including freight charges
SBT, painted	A	1671,-	327,-	1998,-

Prices in EUR, valid EXW DE-46354 Südlohn, DE-38820 Halberstadt, unpacked
Freight charges valid CPT Portugal, islands and oversea territories excluded

Price List 0726 en-PT

Forklift Truck Attachments



Snowdozer Type SCH-F	Category	Price	Freight charges	Price including freight charges
SCH-F 150, painted	A	2233,-	327,-	2560,-
SCH-F 180, painted	A	2507,-	327,-	2834,-
SCH-F 210, painted	A	2818,-	327,-	3145,-
SCH-F 240, painted	A	3095,-	451,-	3546,-
Snowdozer Type SCH-G	Category	Price	Freight charges	Price including freight charges
SCH-G 150, painted	A	1584,-	225,-	1809,-
SCH-G 180, painted	A	1730,-	225,-	1955,-
SCH-G 210, painted	A	1998,-	327,-	2325,-
SCH-G 240, painted	A	2160,-	380,-	2540,-
Snowdozer Type SCH-L	Category	Price	Freight charges	Price including freight charges
SCH-L 1500, painted	A	1182,-	225,-	1407,-
SCH-L 1500, hot-dip galvanized	A	1310,-	225,-	1535,-
SCH-L 1800, painted	A	1380,-	225,-	1605,-
SCH-L 1800, hot-dip galvanized	A	1532,-	225,-	1757,-
Snow Plough Type SCH-P-G	Category	Price	Freight charges	Price including freight charges
SCH-P-G 150, painted	A	2493,-	327,-	2820,-
SCH-P-G 180, painted	A	2677,-	327,-	3004,-
SCH-P-G 210, painted	A	2870,-	327,-	3197,-
SCH-P-G 240, painted	A	3408,-	380,-	3788,-
Snow Plough Type SCH-P-S	Category	Price	Freight charges	Price including freight charges
SCH-P-S 150, painted	A	2318,-	327,-	2645,-
SCH-P-S 180, painted	A	2476,-	327,-	2803,-
SCH-P-S 210, painted	A	2629,-	327,-	2956,-
SCH-P-S 240, painted	A	3128,-	380,-	3508,-
Snow Plough Type SCH-P-V	Category	Price	Freight charges	Price including freight charges
SCH-P-V 150, painted	A	2681,-	327,-	3008,-
SCH-P-V 180, painted	A	2949,-	327,-	3276,-
SCH-P-V 210, painted	A	3200,-	327,-	3527,-
SCH-P-V 240, painted	A	3741,-	380,-	4121,-
Snowdozer Type SCH-S	Category	Price	Freight charges	Price including freight charges
SCH-S 150, painted	A	1407,-	225,-	1632,-
SCH-S 180, painted	A	1528,-	225,-	1753,-
SCH-S 210, painted	A	1760,-	327,-	2087,-
SCH-S 240, painted	A	1880,-	380,-	2260,-
Snow Plough Type SCH-U-G	Category	Price	Freight charges	Price including freight charges
SCH-U-G 150, painted	A	2493,-	327,-	2820,-
SCH-U-G 180, painted	A	2677,-	327,-	3004,-

Prices in EUR, valid EXW DE-46354 Südlohn, DE-38820 Halberstadt, unpacked
Freight charges valid CPT Portugal, islands and oversea territories excluded

Price List 0726 en-PT

Forklift Truck Attachments



Snow Plough Type SCH-U-G	Category	Price	Freight charges	Price including freight charges
SCH-U-G 210, painted	A	2870,-	327,-	3197,-
SCH-U-G 240, painted	A	3408,-	380,-	3788,-
Snow Plough Type SCH-U-S	Category	Price	Freight charges	Price including freight charges
SCH-U-S 150, painted	A	2318,-	327,-	2645,-
SCH-U-S 180, painted	A	2476,-	327,-	2803,-
SCH-U-S 210, painted	A	2629,-	327,-	2956,-
SCH-U-S 240, painted	A	3128,-	380,-	3508,-
Snow Plough Type SCH-U-V	Category	Price	Freight charges	Price including freight charges
SCH-U-V 150, painted	A	2681,-	327,-	3008,-
SCH-U-V 180, painted	A	2949,-	327,-	3276,-
SCH-U-V 210, painted	A	3200,-	327,-	3527,-
SCH-U-V 240, painted	A	3741,-	380,-	4121,-
Snowdozer Type SCH-V	Category	Price	Freight charges	Price including freight charges
SCH-V 150, painted	A	1769,-	225,-	1994,-
SCH-V 180, painted	A	1991,-	225,-	2216,-
SCH-V 210, painted	A	2331,-	327,-	2658,-
SCH-V 240, painted	A	2492,-	380,-	2872,-
Silo Container Type SG	Category	Price	Freight charges	Price including freight charges
SG 375, painted	E	1014,-	225,-	1239,-
Lid, galvanized	E	131,-	28,-	159,-
SG 375, hot-dip galvanized	E	1760,-	225,-	1985,-
Lid, galvanized	E	131,-	28,-	159,-
SG 600, painted	E	1209,-	225,-	1434,-
Lid, galvanized	E	131,-	28,-	159,-
SG 600, hot-dip galvanized	E	1951,-	225,-	2176,-
Lid, galvanized	E	131,-	28,-	159,-
Silo Container Type SG-D	Category	Price	Freight charges	Price including freight charges
SG-D 375, painted	E	1014,-	141,-	1155,-
Lid, galvanized	E	131,-	28,-	159,-
SG-D 375, hot-dip galvanized	E	1760,-	225,-	1985,-
Lid, galvanized	E	131,-	28,-	159,-
SG-D 600, painted	E	1209,-	225,-	1434,-
Lid, galvanized	E	131,-	28,-	159,-
SG-D 600, hot-dip galvanized	E	1951,-	225,-	2176,-
Lid, galvanized	E	131,-	28,-	159,-
Silo Container Type SGK	Category	Price	Freight charges	Price including freight charges
SGK 50, painted	A	1115,-	225,-	1340,-
SGK 50, hot-dip galvanized	A	1142,-	225,-	1367,-
SGK 75, painted	A	1214,-	225,-	1439,-

Prices in EUR, valid EXW DE-46354 Südlohn, DE-38820 Halberstadt, unpacked
Freight charges valid CPT Portugal, islands and oversea territories excluded

Price List 0726 en-PT

Forklift Truck Attachments



Silo Container Type SGK	Category	Price	Freight charges	Price including freight charges
SGK 75, hot-dip galvanized	A	1251,-	225,-	1476,-
SGK 100, painted	A	1327,-	225,-	1552,-
SGK 100, hot-dip galvanized	A	1367,-	225,-	1592,-
Silo Container Type SGS	Category	Price	Freight charges	Price including freight charges
SGS 50, painted	A	885,-	141,-	1026,-
SGS 50, hot-dip galvanized	A	902,-	225,-	1127,-
SGS 75, painted	A	982,-	225,-	1207,-
SGS 75, hot-dip galvanized	A	1015,-	225,-	1240,-
SGS 100, painted	A	1078,-	225,-	1303,-
SGS 100, hot-dip galvanized	A	1110,-	225,-	1335,-
Swarf Tilting Container Type SGU	Category	Price	Freight charges	Price including freight charges
SGU 30, painted	A	940,-	225,-	1165,-
Lid, galvanized	A	98,-	18,-	116,-
Castor Set, polyamide, Load capacity 1350 kg / castor set	A	192,-	15,-	207,-
Crane lifting eyes for use with a crane	A	106,-	8,-	114,-
Support legs, 100 mm ground leeway	A	70,-	8,-	78,-
SGU 30, hot-dip galvanized	A	1117,-	225,-	1342,-
Lid, galvanized	A	98,-	18,-	116,-
Castor Set, polyamide, Load capacity 1350 kg / castor set	A	192,-	15,-	207,-
Crane lifting eyes for use with a crane	A	106,-	8,-	114,-
Support legs, 100 mm ground leeway	A	70,-	8,-	78,-
SGU 50, painted	A	1163,-	225,-	1388,-
Lid, galvanized	A	98,-	18,-	116,-
Castor Set, polyamide, Load capacity 1350 kg / castor set	A	192,-	15,-	207,-
Adjustable dumping brake	A	464,-	10,-	474,-
Crane lifting eyes for use with a crane	A	106,-	8,-	114,-
Support legs, 100 mm ground leeway	A	70,-	8,-	78,-
SGU 50, hot-dip galvanized	A	1407,-	225,-	1632,-
Lid, galvanized	A	98,-	18,-	116,-
Castor Set, polyamide, Load capacity 1350 kg / castor set	A	192,-	15,-	207,-
Adjustable dumping brake	A	464,-	10,-	474,-
Crane lifting eyes for use with a crane	A	106,-	8,-	114,-
Support legs, 100 mm ground leeway	A	70,-	8,-	78,-
SGU 75, painted	A	1312,-	225,-	1537,-
Lid, galvanized	A	139,-	26,-	165,-
Castor Set, polyamide, Load capacity 1350 kg / castor set	A	192,-	15,-	207,-
Adjustable dumping brake	A	464,-	10,-	474,-
Crane lifting eyes for use with a crane	A	106,-	8,-	114,-
Support legs, 100 mm ground leeway	A	70,-	8,-	78,-
SGU 75, hot-dip galvanized	A	1623,-	225,-	1848,-
Lid, galvanized	A	139,-	26,-	165,-
Castor Set, polyamide, Load capacity 1350 kg / castor set	A	192,-	15,-	207,-
Adjustable dumping brake	A	464,-	10,-	474,-

Prices in EUR, valid EXW DE-46354 Südlohn, DE-38820 Halberstadt, unpacked
Freight charges valid CPT Portugal, islands and oversea territories excluded

Price List 0726 en-PT

Forklift Truck Attachments



Swarf Tilting Container Type SGU	Category	Price	Freight charges	Price including freight charges
Crane lifting eyes for use with a crane	A	106,-	8,-	114,-
Support legs, 100 mm ground leeway	A	70,-	8,-	78,-
SGU 100, painted	A	1571,-	327,-	1898,-
Lid, galvanized	A	192,-	27,-	219,-
Castor Set, polyamide, Load capacity 1350 kg / castor set	A	192,-	15,-	207,-
Adjustable dumping brake	A	464,-	10,-	474,-
Crane lifting eyes for use with a crane	A	106,-	8,-	114,-
Support legs, 100 mm ground leeway	A	70,-	8,-	78,-
SGU 100, hot-dip galvanized	A	2120,-	327,-	2447,-
Lid, galvanized	A	192,-	27,-	219,-
Castor Set, polyamide, Load capacity 1350 kg / castor set	A	192,-	15,-	207,-
Adjustable dumping brake	A	464,-	10,-	474,-
Crane lifting eyes for use with a crane	A	106,-	8,-	114,-
Support legs, 100 mm ground leeway	A	70,-	8,-	78,-
SGU 150, painted	A	1764,-	327,-	2091,-
Lid, galvanized	A	192,-	27,-	219,-
Castor Set, polyamide, Load capacity 1350 kg / castor set	A	192,-	15,-	207,-
Adjustable dumping brake	A	464,-	10,-	474,-
Crane lifting eyes for use with a crane	A	106,-	8,-	114,-
Support legs, 100 mm ground leeway	A	70,-	8,-	78,-
SGU 150, hot-dip galvanized	A	2242,-	327,-	2569,-
Lid, galvanized	A	192,-	27,-	219,-
Castor Set, polyamide, Load capacity 1350 kg / castor set	A	192,-	15,-	207,-
Adjustable dumping brake	A	464,-	10,-	474,-
Crane lifting eyes for use with a crane	A	106,-	8,-	114,-
Support legs, 100 mm ground leeway	A	70,-	8,-	78,-
SGU 200, painted	A	2215,-	398,-	2613,-
Lid, galvanized	A	226,-	32,-	258,-
Castor Set, polyamide, Load capacity 1350 kg / castor set	A	192,-	15,-	207,-
Adjustable dumping brake	A	464,-	10,-	474,-
Crane lifting eyes for use with a crane	A	106,-	8,-	114,-
Support legs, 100 mm ground leeway	A	70,-	8,-	78,-
SGU 200, hot-dip galvanized	A	2779,-	398,-	3177,-
Castor Set, polyamide, Load capacity 1350 kg / castor set	A	192,-	15,-	207,-
Lid, galvanized	A	226,-	32,-	258,-
Adjustable dumping brake	A	464,-	10,-	474,-
Crane lifting eyes for use with a crane	A	106,-	8,-	114,-
Support legs, 100 mm ground leeway	A	70,-	8,-	78,-
Swarf Tilting Container Type SGU-RZ	Category	Price	Freight charges	Price including freight charges
SGU-RZ 30, painted	A	972,-	225,-	1197,-
Lid, galvanized	A	95,-	18,-	113,-
SGU-RZ 30, hot-dip galvanized	A	1097,-	225,-	1322,-
Lid, galvanized	A	95,-	18,-	113,-
SGU-RZ 55, painted	A	1202,-	225,-	1427,-
Lid, galvanized	A	95,-	18,-	113,-

Prices in EUR, valid EXW DE-46354 Südlohn, DE-38820 Halberstadt, unpacked
Freight charges valid CPT Portugal, islands and oversea territories excluded

Price List 0726 en-PT

Forklift Truck Attachments



Swarf Tilting Container Type SGU-RZ	Category	Price	Freight charges	Price including freight charges
SGU-RZ 55, hot-dip galvanized	A	1314,-	225,-	1539,-
Lid, galvanized	A	95,-	18,-	113,-
Gritter Type SH	Category	Price	Freight charges	Price including freight charges
SH, painted	A	3569,-	225,-	3794,-
Tarpaulin	A	122,-	10,-	132,-
Forklift Safety Cage Type SIKO	Category	Price	Freight charges	Price including freight charges
SIKO, painted	A	726,-	225,-	951,-
Castor Set, polyamide, Load capacity 1050 kg / castor set	A	136,-	15,-	151,-
Forklift Safety Cage Type SIKO/L	Category	Price	Freight charges	Price including freight charges
SIKO/L, painted	A	878,-	225,-	1103,-
Castor Set, polyamide, Load capacity 1050 kg / castor set	A	136,-	15,-	151,-
Forklift Safety Cage Type SIKO-G	Category	Price	Freight charges	Price including freight charges
SIKO-G, painted	A	657,-	141,-	798,-
Forklift Safety Cage Type SIKO-M	Category	Price	Freight charges	Price including freight charges
SIKO-M, painted	A	529,-	141,-	670,-
Heavy Duty Tilting Container Type SK	Category	Price	Freight charges	Price including freight charges
SK 300, painted	A	1281,-	327,-	1608,-
Lid, galvanized	A	174,-	18,-	192,-
Heavy-duty Castor Set, polyamide, Load capacity 2550 kg / castor set	A	379,-	15,-	394,-
Skip Body Welded Oil and Watertight	A	78,-	0,-	78,-
SK 300, hot-dip galvanized	A	1555,-	327,-	1882,-
Lid, galvanized	A	174,-	18,-	192,-
Heavy-duty Castor Set, polyamide, Load capacity 2550 kg / castor set	A	379,-	15,-	394,-
Skip Body Welded Oil and Watertight	A	78,-	0,-	78,-
SK 600, painted	A	1386,-	327,-	1713,-
Lid, galvanized	A	196,-	22,-	218,-
Heavy-duty Castor Set, polyamide, Load capacity 2550 kg / castor set	A	379,-	15,-	394,-
Skip Body Welded Oil and Watertight	A	78,-	0,-	78,-
SK 600, hot-dip galvanized	A	1724,-	398,-	2122,-
Lid, galvanized	A	196,-	22,-	218,-
Heavy-duty Castor Set, polyamide, Load capacity 2550 kg / castor set	A	379,-	15,-	394,-
Skip Body Welded Oil and Watertight	A	78,-	0,-	78,-
SK 900, painted	A	1510,-	398,-	1908,-
Lid, galvanized	A	223,-	27,-	250,-
Heavy-duty Castor Set, polyamide, Load capacity 2550 kg / castor set	A	379,-	15,-	394,-
Skip Body Welded Oil and Watertight	A	78,-	0,-	78,-
SK 900, hot-dip galvanized	A	1941,-	398,-	2339,-
Lid, galvanized	A	223,-	27,-	250,-
Heavy-duty Castor Set, polyamide, Load capacity 2550 kg / castor set	A	379,-	15,-	394,-

Prices in EUR, valid EXW DE-46354 Südlohn, DE-38820 Halberstadt, unpacked
Freight charges valid CPT Portugal, islands and oversea territories excluded

Price List 0726 en-PT

Forklift Truck Attachments



Heavy Duty Tilting Container Type SK	Category	Price	Freight charges	Price including freight charges
Skip Body Welded Oil and Watertight	A	78,-	0,-	78,-
SK 1200, painted	A	1770,-	398,-	2168,-
Lid, galvanized	A	223,-	26,-	249,-
Heavy-duty Castor Set, polyamide, Load capacity 2550 kg / castor set	A	379,-	15,-	394,-
Skip Body Welded Oil and Watertight	A	121,-	0,-	121,-
SK 1200, hot-dip galvanized	A	2277,-	567,-	2844,-
Lid, galvanized	A	223,-	26,-	249,-
Heavy-duty Castor Set, polyamide, Load capacity 2550 kg / castor set	A	379,-	15,-	394,-
Skip Body Welded Oil and Watertight	A	121,-	0,-	121,-
SK 1700, painted	A	1862,-	567,-	2429,-
Lid, galvanized	A	276,-	33,-	309,-
Heavy-duty Castor Set, polyamide, Load capacity 2550 kg / castor set	A	379,-	15,-	394,-
Skip Body Welded Oil and Watertight	A	121,-	0,-	121,-
SK 1700, hot-dip galvanized	A	2492,-	567,-	3059,-
Lid, galvanized	A	276,-	33,-	309,-
Heavy-duty Castor Set, polyamide, Load capacity 2550 kg / castor set	A	379,-	15,-	394,-
Skip Body Welded Oil and Watertight	A	121,-	0,-	121,-
SK 2100, painted	A	2032,-	567,-	2599,-
Lid, galvanized	A	360,-	36,-	396,-
Heavy-duty Castor Set, polyamide, Load capacity 2550 kg / castor set	A	379,-	15,-	394,-
Skip Body Welded Oil and Watertight	A	121,-	0,-	121,-
SK 2100, hot-dip galvanized	A	2739,-	567,-	3306,-
Lid, galvanized	A	360,-	36,-	396,-
Heavy-duty Castor Set, polyamide, Load capacity 2550 kg / castor set	A	379,-	15,-	394,-
Skip Body Welded Oil and Watertight	A	121,-	0,-	121,-
Broom Type SKB	Category	Price	Freight charges	Price including freight charges
SKB 100, painted	A	958,-	141,-	1099,-
SKB 150, painted	A	1197,-	141,-	1338,-
SKB 200, painted	A	1475,-	141,-	1616,-
Broom Type SKB-0	Category	Price	Freight charges	Price including freight charges
SKB-0 100, painted	A	658,-	141,-	799,-
SKB-0 150, painted	A	898,-	141,-	1039,-
SKB-0 200, painted	A	1176,-	141,-	1317,-
Swarf Tipping Skip Type SKK	Category	Price	Freight charges	Price including freight charges
SKK 250, painted	E	534,-	141,-	675,-
Lid, galvanized	E	136,-	15,-	151,-
Castor Set, polyamide, Load capacity 1050 kg / castor set	A	136,-	15,-	151,-
Castor Set, solid rubber, Load capacity 615 kg / castor set	E	103,-	15,-	118,-
SKK 250, hot-dip galvanized	E	583,-	141,-	724,-
Lid, galvanized	E	136,-	15,-	151,-
Castor Set, polyamide, Load capacity 1050 kg / castor set	A	136,-	15,-	151,-
Castor Set, solid rubber, Load capacity 615 kg / castor set	E	103,-	15,-	118,-

Prices in EUR, valid EXW DE-46354 Südlohn, DE-38820 Halberstadt, unpacked
Freight charges valid CPT Portugal, islands and oversea territories excluded

Price List 0726 en-PT

Forklift Truck Attachments



Swarf Tipping Skip Type SKK	Category	Price	Freight charges	Price including freight charges
SKK 400, painted	E	600,-	141,-	741,-
Lid, galvanized	E	156,-	16,-	172,-
Castor Set, polyamide, Load capacity 1050 kg / castor set	A	136,-	15,-	151,-
Castor Set, solid rubber, Load capacity 615 kg / castor set	E	103,-	15,-	118,-
SKK 400, hot-dip galvanized	E	649,-	141,-	790,-
Lid, galvanized	E	156,-	16,-	172,-
Castor Set, polyamide, Load capacity 1050 kg / castor set	A	136,-	15,-	151,-
Castor Set, solid rubber, Load capacity 615 kg / castor set	E	103,-	15,-	118,-
SKK 600, painted	E	815,-	225,-	1040,-
Lid, galvanized	E	173,-	20,-	193,-
Castor Set, polyamide, Load capacity 1050 kg / castor set	A	136,-	15,-	151,-
Castor Set, solid rubber, Load capacity 615 kg / castor set	E	103,-	15,-	118,-
SKK 600, hot-dip galvanized	E	914,-	225,-	1139,-
Lid, galvanized	E	173,-	20,-	193,-
Castor Set, polyamide, Load capacity 1050 kg / castor set	A	136,-	15,-	151,-
Castor Set, solid rubber, Load capacity 615 kg / castor set	E	103,-	15,-	118,-
SKK 800, painted	E	872,-	225,-	1097,-
Lid, galvanized	E	181,-	21,-	202,-
Castor Set, polyamide, Load capacity 1050 kg / castor set	A	136,-	15,-	151,-
Castor Set, solid rubber, Load capacity 615 kg / castor set	E	103,-	15,-	118,-
SKK 800, hot-dip galvanized	E	980,-	225,-	1205,-
Lid, galvanized	E	181,-	21,-	202,-
Castor Set, polyamide, Load capacity 1050 kg / castor set	A	136,-	15,-	151,-
Castor Set, solid rubber, Load capacity 615 kg / castor set	E	103,-	15,-	118,-
SKK 1000, painted	E	930,-	225,-	1155,-
Lid, galvanized	E	193,-	22,-	215,-
Castor Set, polyamide, Load capacity 1050 kg / castor set	A	136,-	15,-	151,-
Castor Set, solid rubber, Load capacity 615 kg / castor set	E	103,-	15,-	118,-
SKK 1000, hot-dip galvanized	E	1063,-	225,-	1288,-
Lid, galvanized	E	193,-	22,-	215,-
Castor Set, polyamide, Load capacity 1050 kg / castor set	A	136,-	15,-	151,-
Castor Set, solid rubber, Load capacity 615 kg / castor set	E	103,-	15,-	118,-

Swarf Tilting Container Type SKM	Category	Price	Freight charges	Price including freight charges
SKM 30, painted	A	950,-	225,-	1175,-
Lid, galvanized	A	104,-	18,-	122,-
SKM 30, hot-dip galvanized	A	1148,-	225,-	1373,-
Lid, galvanized	A	104,-	18,-	122,-
SKM 50, painted	A	1220,-	225,-	1445,-
Lid, galvanized	A	158,-	28,-	186,-
SKM 50, hot-dip galvanized	A	1478,-	225,-	1703,-
Lid, galvanized	A	158,-	28,-	186,-
SKM 75, painted	A	1469,-	225,-	1694,-
Lid, galvanized	A	175,-	33,-	208,-
SKM 75, hot-dip galvanized	A	1790,-	327,-	2117,-
Lid, galvanized	A	175,-	33,-	208,-

Prices in EUR, valid EXW DE-46354 Südlohn, DE-38820 Halberstadt, unpacked
Freight charges valid CPT Portugal, islands and oversea territories excluded

Price List 0726 en-PT

Forklift Truck Attachments



Swarf Tipping Skip Type SKN	Category	Price	Freight charges	Price including freight charges
SKN 250, painted	E	534,-	141,-	675,-
Lid, galvanized	E	136,-	15,-	151,-
Castor Set, polyamide, Load capacity 1050 kg / castor set	A	136,-	15,-	151,-
Castor Set, solid rubber, Load capacity 615 kg / castor set	E	103,-	15,-	118,-
SKN 250, hot-dip galvanized	E	583,-	141,-	724,-
Lid, galvanized	E	136,-	15,-	151,-
Castor Set, polyamide, Load capacity 1050 kg / castor set	A	136,-	15,-	151,-
Castor Set, solid rubber, Load capacity 615 kg / castor set	E	103,-	15,-	118,-
SKN 400, painted	E	600,-	141,-	741,-
Lid, galvanized	E	156,-	16,-	172,-
Castor Set, polyamide, Load capacity 1050 kg / castor set	A	136,-	15,-	151,-
Castor Set, solid rubber, Load capacity 615 kg / castor set	E	103,-	15,-	118,-
SKN 400, hot-dip galvanized	E	649,-	141,-	790,-
Lid, galvanized	E	156,-	16,-	172,-
Castor Set, polyamide, Load capacity 1050 kg / castor set	A	136,-	15,-	151,-
Castor Set, solid rubber, Load capacity 615 kg / castor set	E	103,-	15,-	118,-
Swarf Tipping Skip Type SKS	Category	Price	Freight charges	Price including freight charges
SKS 400, painted	E	946,-	225,-	1171,-
SKS 550, painted	E	1013,-	225,-	1238,-
SKS 700, painted	E	1072,-	225,-	1297,-
Swarf Barrow Tipper Type SKW-ET	Category	Price	Freight charges	Price including freight charges
SKW-ET 250, painted	E	638,-	141,-	779,-
Lid, galvanized	E	136,-	15,-	151,-
SKW-ET 250, hot-dip galvanized	E	975,-	141,-	1116,-
Lid, galvanized	E	136,-	15,-	151,-
SKW-ET 400, painted	E	697,-	141,-	838,-
Lid, galvanized	E	156,-	16,-	172,-
SKW-ET 400, hot-dip galvanized	E	1071,-	141,-	1212,-
Lid, galvanized	E	156,-	16,-	172,-
SKW-ET 600, painted	E	851,-	225,-	1076,-
Lid, galvanized	E	173,-	20,-	193,-
SKW-ET 600, hot-dip galvanized	E	1233,-	225,-	1458,-
Lid, galvanized	E	173,-	20,-	193,-
SKW-ET 1000, painted	E	1032,-	225,-	1257,-
Lid, galvanized	E	193,-	22,-	215,-
SKW-ET 1000, hot-dip galvanized	E	1643,-	225,-	1868,-
Lid, galvanized	E	193,-	22,-	215,-
Mini Swarf Tilting Container Type SMGU	Category	Price	Freight charges	Price including freight charges
SMGU 230, painted	A	689,-	141,-	830,-
Lid, galvanized	A	131,-	18,-	149,-
Castor Set, polyamide, Load capacity 1050 kg / castor set	A	156,-	15,-	171,-
SMGU 230, hot-dip galvanized	A	775,-	225,-	1000,-

Prices in EUR, valid EXW DE-46354 Südlohn, DE-38820 Halberstadt, unpacked
Freight charges valid CPT Portugal, islands and oversea territories excluded

Price List 0726 en-PT

Forklift Truck Attachments



Mini Swarf Tilting Container Type SMGU	Category	Price	Freight charges	Price including freight charges
Lid, galvanized	A	131,-	18,-	149,-
Castor Set, polyamide, Load capacity 1050 kg / castor set	A	156,-	15,-	171,-
SMGU 270, painted	A	744,-	225,-	969,-
Lid, galvanized	A	131,-	18,-	149,-
Castor Set, polyamide, Load capacity 1050 kg / castor set	A	156,-	15,-	171,-
SMGU 270, hot-dip galvanized	A	850,-	225,-	1075,-
Lid, galvanized	A	131,-	18,-	149,-
Castor Set, polyamide, Load capacity 1050 kg / castor set	A	156,-	15,-	171,-
SMGU 460, painted	A	935,-	225,-	1160,-
Lid, galvanized	A	169,-	22,-	191,-
Castor Set, polyamide, Load capacity 1050 kg / castor set	A	156,-	15,-	171,-
SMGU 460, hot-dip galvanized	A	1088,-	225,-	1313,-
Lid, galvanized	A	169,-	22,-	191,-
Castor Set, polyamide, Load capacity 1050 kg / castor set	A	156,-	15,-	171,-
SMGU 610, painted	A	1041,-	225,-	1266,-
Lid, galvanized	A	181,-	26,-	207,-
Castor Set, polyamide, Load capacity 1050 kg / castor set	A	156,-	15,-	171,-
SMGU 610, hot-dip galvanized	A	1209,-	225,-	1434,-
Lid, galvanized	A	181,-	26,-	207,-
Castor Set, polyamide, Load capacity 1050 kg / castor set	A	156,-	15,-	171,-

Silo Container Type SR	Category	Price	Freight charges	Price including freight charges
SR 375, painted	E	844,-	141,-	985,-
Lid, galvanized	E	131,-	33,-	164,-
SR 375, hot-dip galvanized	E	1584,-	141,-	1725,-
Lid, galvanized	E	131,-	33,-	164,-
SR 600, painted	E	1048,-	225,-	1273,-
Lid, galvanized	E	131,-	33,-	164,-
SR 600, hot-dip galvanized	E	1801,-	225,-	2026,-
Lid, galvanized	E	131,-	33,-	164,-

Silo Container Type SR-D	Category	Price	Freight charges	Price including freight charges
SR-D 375, painted	E	844,-	141,-	985,-
Lid, galvanized	E	131,-	33,-	164,-
SR-D 375, hot-dip galvanized	E	1584,-	141,-	1725,-
Lid, galvanized	E	131,-	33,-	164,-
SR-D 600, painted	E	1048,-	225,-	1273,-
Lid, galvanized	E	131,-	33,-	164,-
SR-D 600, hot-dip galvanized	E	1801,-	225,-	2026,-
Lid, galvanized	E	131,-	33,-	164,-

Silo Container Type SRE	Category	Price	Freight charges	Price including freight charges
SRE 375, painted	E	962,-	225,-	1187,-
Lid, galvanized	E	131,-	33,-	164,-
SRE 375, hot-dip galvanized	E	1723,-	225,-	1948,-

Prices in EUR, valid EXW DE-46354 Südlohn, DE-38820 Halberstadt, unpacked
 Freight charges valid CPT Portugal, islands and oversea territories excluded

Price List 0726 en-PT

Forklift Truck Attachments



Silo Container Type SRE	Category	Price	Freight charges	Price including freight charges
Lid, galvanized	E	131,-	33,-	164,-
SRE 600, painted	E	1171,-	225,-	1396,-
Lid, galvanized	E	131,-	33,-	164,-
SRE 600, hot-dip galvanized	E	1857,-	225,-	2082,-
Lid, galvanized	E	131,-	33,-	164,-
Silo Container Type SRE-D	Category	Price	Freight charges	Price including freight charges
SRE-D 375, painted	E	962,-	141,-	1103,-
Lid, galvanized	E	131,-	33,-	164,-
SRE-D 375, hot-dip galvanized	E	1723,-	225,-	1948,-
Lid, galvanized	E	131,-	33,-	164,-
SRE-D 600, painted	E	1171,-	225,-	1396,-
Lid, galvanized	E	131,-	33,-	164,-
SRE-D 600, hot-dip galvanized	E	1857,-	225,-	2082,-
Lid, galvanized	E	131,-	33,-	164,-
Forklift Tender System Type STS	Category	Price	Freight charges	Price including freight charges
STS 2,5, painted	C	3857,-	on request	on request
STS 5,0, painted	C	4546,-	on request	on request
Spreader Type STW	Category	Price	Freight charges	Price including freight charges
STW 100, painted	A	1216,-	141,-	1357,-
Tarpaulin	A	116,-	10,-	126,-
STW 260, painted	A	2147,-	141,-	2288,-
Tarpaulin	A	122,-	10,-	132,-
Traverse for Big Bags Type TBB	Category	Price	Freight charges	Price including freight charges
TBB, painted	A	901,-	141,-	1042,-
Traverse For Big Bags Type TBB-E	Category	Price	Freight charges	Price including freight charges
TBB-E, painted	A	852,-	141,-	993,-
Traverse For Big Bags Type TBB-W	Category	Price	Freight charges	Price including freight charges
TBB-W, painted	A	1093,-	141,-	1234,-
Mini Lifting Beam Type TM	Category	Price	Freight charges	Price including freight charges
TM 200-500, hot-dip galvanized	F	399,-	60,-	459,-
TM 400-800, hot-dip galvanized	F	429,-	60,-	489,-
TM 800-1200, hot-dip galvanized	F	566,-	60,-	626,-
Tilting Container Type TRIO	Category	Price	Freight charges	Price including freight charges
TRIO, painted	A	2333,-	398,-	2731,-
Lid, galvanized	A	215,-	26,-	241,-
Castor Set, polyamide, Load capacity 1350 kg / castor set	A	192,-	15,-	207,-

Prices in EUR, valid EXW DE-46354 Südlohn, DE-38820 Halberstadt, unpacked
Freight charges valid CPT Portugal, islands and oversea territories excluded

Price List 0726 en-PT

Forklift Truck Attachments



Tilting Container Type TRIO	Category	Price	Freight charges	Price including freight charges
Set of 5 self-adhesive stickers with symbols for: glass, paper, plastic, metal, residual waste	A	29,-	on request	on request

Universal Container Type UC	Category	Price	Freight charges	Price including freight charges
UC 500, painted	A	675,-	141,-	816,-
Lid, galvanized	A	168,-	16,-	184,-
Castor Set, polyamide, Load capacity 1350 kg / castor set	A	192,-	15,-	207,-
Pick-up Profile on Type UC for Traverse Type UCT	A	106,-	0,-	106,-
UC 500, hot-dip galvanized	A	771,-	225,-	996,-
Lid, galvanized	A	168,-	16,-	184,-
Castor Set, polyamide, Load capacity 1350 kg / castor set	A	192,-	15,-	207,-
Pick-up Profile on Type UC for Traverse Type UCT	A	106,-	0,-	106,-
UC 750, painted	A	734,-	225,-	959,-
Lid, galvanized	A	168,-	16,-	184,-
Castor Set, polyamide, Load capacity 1350 kg / castor set	A	192,-	15,-	207,-
Pick-up Profile on Type UC for Traverse Type UCT	A	106,-	0,-	106,-
UC 750, hot-dip galvanized	A	853,-	225,-	1078,-
Lid, galvanized	A	168,-	16,-	184,-
Castor Set, polyamide, Load capacity 1350 kg / castor set	A	192,-	15,-	207,-
Pick-up Profile on Type UC for Traverse Type UCT	A	106,-	0,-	106,-
UC 1000, painted	A	771,-	225,-	996,-
Lid, galvanized	A	168,-	16,-	184,-
Castor Set, polyamide, Load capacity 1350 kg / castor set	A	192,-	15,-	207,-
Pick-up Profile on Type UC for Traverse Type UCT	A	106,-	0,-	106,-
UC 1000, hot-dip galvanized	A	894,-	225,-	1119,-
Lid, galvanized	A	168,-	16,-	184,-
Castor Set, polyamide, Load capacity 1350 kg / castor set	A	192,-	15,-	207,-
Pick-up Profile on Type UC for Traverse Type UCT	A	106,-	0,-	106,-

Hydraulic Traverse Type UCT	Category	Price	Freight charges	Price including freight charges
UCT, painted	A	2737,-	327,-	3064,-

Tilting Container Type VD	Category	Price	Freight charges	Price including freight charges
VD 500, painted	A	794,-	225,-	1019,-
Lid, galvanized	A	144,-	18,-	162,-
Castor Set, polyamide, Load capacity 1350 kg / castor set	A	192,-	15,-	207,-
Skip Body Welded Oil and Watertight	A	78,-	0,-	78,-
VD 500, hot-dip galvanized	A	1033,-	225,-	1258,-
Lid, galvanized	A	144,-	18,-	162,-
Castor Set, polyamide, Load capacity 1350 kg / castor set	A	192,-	15,-	207,-
Skip Body Welded Oil and Watertight	A	78,-	0,-	78,-
VD 650, painted	A	868,-	225,-	1093,-
Lid, galvanized	A	144,-	18,-	162,-
Castor Set, polyamide, Load capacity 1350 kg / castor set	A	192,-	15,-	207,-
Skip Body Welded Oil and Watertight	A	78,-	0,-	78,-
VD 650, hot-dip galvanized	A	1130,-	225,-	1355,-

Prices in EUR, valid EXW DE-46354 Südlohn, DE-38820 Halberstadt, unpacked
 Freight charges valid CPT Portugal, islands and oversea territories excluded

Price List 0726 en-PT

Forklift Truck Attachments



Tilting Container Type VD	Category	Price	Freight charges	Price including freight charges
Lid, galvanized	A	144,-	18,-	162,-
Castor Set, polyamide, Load capacity 1350 kg / castor set	A	192,-	15,-	207,-
Skip Body Welded Oil and Watertight	A	78,-	0,-	78,-
VD 800, painted	A	991,-	225,-	1216,-
Lid, galvanized	A	174,-	22,-	196,-
Castor Set, polyamide, Load capacity 1350 kg / castor set	A	192,-	15,-	207,-
Skip Body Welded Oil and Watertight	A	78,-	0,-	78,-
VD 800, hot-dip galvanized	A	1346,-	225,-	1571,-
Lid, galvanized	A	174,-	22,-	196,-
Castor Set, polyamide, Load capacity 1350 kg / castor set	A	192,-	15,-	207,-
Skip Body Welded Oil and Watertight	A	78,-	0,-	78,-
VD 1000, painted	A	1041,-	225,-	1266,-
Lid, galvanized	A	174,-	22,-	196,-
Castor Set, polyamide, Load capacity 1350 kg / castor set	A	192,-	15,-	207,-
Skip Body Welded Oil and Watertight	A	121,-	0,-	121,-
VD 1000, hot-dip galvanized	A	1469,-	225,-	1694,-
Lid, galvanized	A	174,-	22,-	196,-
Castor Set, polyamide, Load capacity 1350 kg / castor set	A	192,-	15,-	207,-
Skip Body Welded Oil and Watertight	A	121,-	0,-	121,-

Tilting Container Type VG	Category	Price	Freight charges	Price including freight charges
VG 550, painted	A	812,-	225,-	1037,-
Lid, galvanized	A	144,-	18,-	162,-
Castor Set, polyamide, Load capacity 1350 kg / castor set	A	192,-	15,-	207,-
Skip Body Welded Oil and Watertight	A	78,-	0,-	78,-
VG 550, hot-dip galvanized	A	1058,-	225,-	1283,-
Lid, galvanized	A	144,-	18,-	162,-
Castor Set, polyamide, Load capacity 1350 kg / castor set	A	192,-	15,-	207,-
Skip Body Welded Oil and Watertight	A	78,-	0,-	78,-
VG 700, painted	A	962,-	225,-	1187,-
Lid, galvanized	A	144,-	18,-	162,-
Castor Set, polyamide, Load capacity 1350 kg / castor set	A	192,-	15,-	207,-
Skip Body Welded Oil and Watertight	A	78,-	0,-	78,-
VG 700, hot-dip galvanized	A	1252,-	225,-	1477,-
Lid, galvanized	A	144,-	18,-	162,-
Castor Set, polyamide, Load capacity 1350 kg / castor set	A	192,-	15,-	207,-
Skip Body Welded Oil and Watertight	A	78,-	0,-	78,-
VG 900, painted	A	1060,-	225,-	1285,-
Lid, galvanized	A	174,-	22,-	196,-
Castor Set, polyamide, Load capacity 1350 kg / castor set	A	192,-	15,-	207,-
Skip Body Welded Oil and Watertight	A	78,-	0,-	78,-
VG 900, hot-dip galvanized	A	1502,-	225,-	1727,-
Lid, galvanized	A	174,-	22,-	196,-
Castor Set, polyamide, Load capacity 1350 kg / castor set	A	192,-	15,-	207,-
Skip Body Welded Oil and Watertight	A	78,-	0,-	78,-
VG 1100, painted	A	1150,-	225,-	1375,-

Prices in EUR, valid EXW DE-46354 Südlohn, DE-38820 Halberstadt, unpacked
Freight charges valid CPT Portugal, islands and oversea territories excluded

Price List 0726 en-PT

Forklift Truck Attachments



Tilting Container Type VG	Category	Price	Freight charges	Price including freight charges
Lid, galvanized	A	174,-	22,-	196,-
Castor Set, polyamide, Load capacity 1350 kg / castor set	A	192,-	15,-	207,-
Skip Body Welded Oil and Watertight	A	121,-	0,-	121,-
VG 1100, hot-dip galvanized	A	1561,-	225,-	1786,-
Lid, galvanized	A	174,-	22,-	196,-
Castor Set, polyamide, Load capacity 1350 kg / castor set	A	192,-	15,-	207,-
Skip Body Welded Oil and Watertight	A	121,-	0,-	121,-

Prices in EUR, valid EXW DE-46354 Südlohn, DE-38820 Halberstadt, unpacked
 Freight charges valid CPT Portugal, islands and oversea territories excluded

Price List 0726 en-PT Workspace Material Handling

Battery Charging Station Type BL	Category	Price	Freight charges	Price including freight charges
BL 1, painted	A	1422,-	141,-	1563,-
Fire Extinguisher	A	204,-	14,-	218,-
Storage tray for water receptacle	A	64,-	13,-	77,-
BL 2, painted	A	1798,-	141,-	1939,-
Fire Extinguisher	A	204,-	14,-	218,-
Storage tray for water receptacle	A	64,-	13,-	77,-
BL 3, painted	A	1798,-	141,-	1939,-
Fire Extinguisher	A	204,-	14,-	218,-
Storage tray for water receptacle	A	64,-	13,-	77,-
Drum Jack Roller Type FHR	Category	Price	Freight charges	Price including freight charges
FHR 600 F, painted	B	3286,-	327,-	3613,-
FHR 600 F, hot-dip galvanized	B	3641,-	327,-	3968,-
FHR 600 G, painted	B	2617,-	225,-	2842,-
FHR 600 G, hot-dip galvanized	B	2888,-	225,-	3113,-
FHR 600 K, painted	B	2617,-	225,-	2842,-
FHR 600 K, hot-dip galvanized	B	2888,-	225,-	3113,-
Drum Trolley Type FP-L	Category	Price	Freight charges	Price including freight charges
FP-L, galvanized	C	624,-	141,-	765,-
Drum Trolley Type FP-V	Category	Price	Freight charges	Price including freight charges
FP-V, galvanized	C	605,-	141,-	746,-
Drum Dolly Type FRW	Category	Price	Freight charges	Price including freight charges
FRW-I, hot-dip galvanized	A	116,-	60,-	176,-
FRW-II, hot-dip galvanized	A	154,-	60,-	214,-
FRW-III, hot-dip galvanized	A	207,-	141,-	348,-
Dolly Type GRW	Category	Price	Freight charges	Price including freight charges
GRW-I, hot-dip galvanized	F	126,-	60,-	186,-
Handle, hot-dip galvanized	F	55,-	10,-	65,-
GRW-II, hot-dip galvanized	F	143,-	60,-	203,-
Handle, hot-dip galvanized	F	55,-	10,-	65,-
GRW-III, hot-dip galvanized	F	179,-	141,-	320,-
Handle, hot-dip galvanized	F	55,-	10,-	65,-
Gas Cylinder Wall Bracket Type GWH	Category	Price	Freight charges	Price including freight charges
GWH 140-I, hot-dip galvanized	F	26,-	60,-	86,-
GWH 140-II, hot-dip galvanized	F	40,-	60,-	100,-

Prices in EUR, valid EXW DE-46354 Südlohn, DE-38820 Halberstadt, unpacked
Freight charges valid CPT Portugal, islands and oversea territories excluded

Price List 0726 en-PT

Workspace Material Handling



Gas Cylinder Wall Bracket Type GWH	Category	Price	Freight charges	Price including freight charges
GWH 140-III, hot-dip galvanized	F	59,-	60,-	119,-
GWH 230-I, hot-dip galvanized	F	28,-	60,-	88,-
GWH 230-II, hot-dip galvanized	F	43,-	60,-	103,-
GWH 230-III, hot-dip galvanized	F	65,-	60,-	125,-
GWH 320-I, hot-dip galvanized	F	29,-	60,-	89,-
GWH 320-II, hot-dip galvanized	F	48,-	60,-	108,-
GWH 320-III, hot-dip galvanized	F	72,-	60,-	132,-
Fork Lifter Type GZH-A	Category	Price	Freight charges	Price including freight charges
GZH-A, painted	F	114,-	60,-	174,-
Fork Lifter Type GZH-B	Category	Price	Freight charges	Price including freight charges
GZH-B, painted	F	114,-	60,-	174,-
Fork Pallet Type GZP	Category	Price	Freight charges	Price including freight charges
GZP 4, hot-dip galvanized	A	161,-	141,-	302,-
GZP 8, hot-dip galvanized	A	201,-	141,-	342,-
IBC Residue Drainer Type IR	Category	Price	Freight charges	Price including freight charges
IR-1, hot-dip galvanized	A	596,-	141,-	737,-
IR-2, hot-dip galvanized	A	711,-	141,-	852,-
IR-3, hot-dip galvanized	A	596,-	141,-	737,-
Tilting Canister Stand Type KAH	Category	Price	Freight charges	Price including freight charges
KAH-5, galvanized	A	96,-	60,-	156,-
KAH-25, galvanized	A	109,-	60,-	169,-
KAH-60, galvanized	A	140,-	60,-	200,-
Sheet Metal Storage Units With Trays Type KBR	Category	Price	Freight charges	Price including freight charges
KBR 1, painted	A	5985,-	905,-	6890,-
KBR 2, painted	A	6207,-	on request	on request
KBR 3, painted	A	6667,-	on request	on request
Liftomat Type L/E	Category	Price	Freight charges	Price including freight charges
L/E 1300, painted	B	4908,-	327,-	5235,-
L/E 1300, hot-dip galvanized	B	5578,-	327,-	5905,-
Liftomat Type L/M	Category	Price	Freight charges	Price including freight charges
L/M 600, painted	B	3553,-	225,-	3778,-
L/M 600, hot-dip galvanized	B	4025,-	225,-	4250,-
L/M 1300, painted	B	3986,-	327,-	4313,-
L/M 1300, hot-dip galvanized	B	4569,-	327,-	4896,-

Prices in EUR, valid EXW DE-46354 Südlohn, DE-38820 Halberstadt, unpacked
Freight charges valid CPT Portugal, islands and oversea territories excluded

Price List 0726 en-PT

Workspace Material Handling



Security Cage for Storage Type LBM	Category	Price	Freight charges	Price including freight charges
LBM 1500, hot-dip galvanized	A	2002,-	327,-	2329,-
LBM 3000, hot-dip galvanized	A	2747,-	567,-	3314,-
LBM 4500, hot-dip galvanized	A	3492,-	567,-	4059,-
LBM 6000, hot-dip galvanized	A	4232,-	731,-	4963,-
Wheelie Bin Tipping Station Type MKS	Category	Price	Freight charges	Price including freight charges
MKS-12V, painted	A	3745,-	225,-	3970,-
External Charger for 12 V electro-hydraulic constructions	A	201,-	15,-	216,-
MKS-230V, painted	A	3745,-	225,-	3970,-
Wheelie Bin Tipping Station Type MKS-F	Category	Price	Freight charges	Price including freight charges
MKS-F, painted	A	2459,-	225,-	2684,-
Wheelie Bin Tipping Station Type MKS-H	Category	Price	Freight charges	Price including freight charges
MKS-H, painted	A	2459,-	225,-	2684,-
Stillage Transport Cage Type MTP	Category	Price	Freight charges	Price including freight charges
MTP 2000, hot-dip galvanized	A	2196,-	327,-	2523,-
Tension belt	A	48,-	8,-	56,-
MTP 3000, hot-dip galvanized	A	2774,-	398,-	3172,-
Tension belt	A	48,-	8,-	56,-
Two-Wheeled Pallet Picker Type PZ	Category	Price	Freight charges	Price including freight charges
PZ, hot-dip galvanized	F	456,-	60,-	516,-
Tyre Fitting Equipment Type RM	Category	Price	Freight charges	Price including freight charges
RM, painted	F	458,-	60,-	518,-
Surround for Waste Bins Type SECOMAT	Category	Price	Freight charges	Price including freight charges
S 120-D, powder coated	B	682,-	141,-	823,-
S 120-K, powder coated	B	764,-	141,-	905,-
S 240-D, powder coated	B	782,-	141,-	923,-
S 240-K, powder coated	B	856,-	141,-	997,-
S1100, powder-coated	B	791,-	141,-	932,-
S1100-W, powder-coated	B	1040,-	225,-	1265,-
S1100-WT, powder-coated	B	1305,-	225,-	1530,-
S1100-WTB, powder-coated	B	1408,-	225,-	1633,-
S4USE, powder coated	C	2656,-	327,-	2983,-
Gas Cylinder Pallet Type SFP	Category	Price	Freight charges	Price including freight charges
SFP 4, hot-dip galvanized	C	346,-	141,-	487,-
SFP 8, hot-dip galvanized	C	460,-	225,-	685,-

Prices in EUR, valid EXW DE-46354 Südlohn, DE-38820 Halberstadt, unpacked
Freight charges valid CPT Portugal, islands and oversea territories excluded

Price List 0726 en-PT

Workspace Material Handling



Loading Support Type VS	Category	Price	Freight charges	Price including freight charges
VS, painted	C	765,-	225,-	990,-

Prices in EUR, valid EXW DE-46354 Südlohn, DE-38820 Halberstadt, unpacked
Freight charges valid CPT Portugal, islands and oversea territories excluded

Price List 0726 en-PT Environment / Storage

Sump Trays Type SERIES 2000	Category	Price	Freight charges	Price including freight charges
2000, painted	B	250,-	141,-	391,-
2000, hot-dip galvanized	B	288,-	141,-	429,-
2002, painted	B	285,-	141,-	426,-
2002, hot-dip galvanized	B	322,-	141,-	463,-
2008, painted	B	250,-	141,-	391,-
2008, hot-dip galvanized	B	300,-	141,-	441,-
2010, painted	B	301,-	141,-	442,-
Drum Support FA 60-1, hot-dip galvanized	B	109,-	15,-	124,-
Drum Support FA 60-2, hot-dip galvanized	B	118,-	18,-	136,-
Drum Support FA 60-3, hot-dip galvanized	B	138,-	21,-	159,-
Drum Support FA 200-1, hot-dip galvanized	B	118,-	15,-	133,-
Can Shelf Type GR-A, galvanized	B	138,-	60,-	198,-
Can Shelf Type GR-B, galvanized	B	138,-	60,-	198,-
Can Shelf Type GR-C, galvanized	B	138,-	60,-	198,-
2010, hot-dip galvanized	B	351,-	141,-	492,-
Drum Support FA 60-1, hot-dip galvanized	B	109,-	15,-	124,-
Drum Support FA 60-2, hot-dip galvanized	B	118,-	18,-	136,-
Drum Support FA 60-3, hot-dip galvanized	B	138,-	21,-	159,-
Drum Support FA 200-1, hot-dip galvanized	B	118,-	15,-	133,-
Can Shelf Type GR-A, galvanized	B	138,-	60,-	198,-
Can Shelf Type GR-B, galvanized	B	138,-	60,-	198,-
Can Shelf Type GR-C, galvanized	B	138,-	60,-	198,-
2016, painted	B	262,-	141,-	403,-
2016, hot-dip galvanized	B	314,-	141,-	455,-
2018, painted	B	315,-	141,-	456,-
Drum Support FA 60-1, hot-dip galvanized	B	109,-	15,-	124,-
Drum Support FA 60-2, hot-dip galvanized	B	118,-	18,-	136,-
Drum Support FA 60-3, hot-dip galvanized	B	138,-	21,-	159,-
Drum Support FA 200-1, hot-dip galvanized	B	118,-	15,-	133,-
Can Shelf Type GR-A, galvanized	B	138,-	60,-	198,-
Can Shelf Type GR-B, galvanized	B	138,-	60,-	198,-
Can Shelf Type GR-C, galvanized	B	138,-	60,-	198,-
2018, hot-dip galvanized	B	365,-	141,-	506,-
Drum Support FA 60-1, hot-dip galvanized	B	109,-	15,-	124,-
Drum Support FA 60-2, hot-dip galvanized	B	118,-	18,-	136,-
Drum Support FA 60-3, hot-dip galvanized	B	138,-	21,-	159,-
Drum Support FA 200-1, hot-dip galvanized	B	118,-	15,-	133,-
Can Shelf Type GR-A, galvanized	B	138,-	60,-	198,-
Can Shelf Type GR-B, galvanized	B	138,-	60,-	198,-
Can Shelf Type GR-C, galvanized	B	138,-	60,-	198,-
2026, painted	B	262,-	141,-	403,-
2026, hot-dip galvanized	B	310,-	141,-	451,-

Prices in EUR, valid EXW DE-46354 Südlohn, DE-38820 Halberstadt, unpacked
Freight charges valid CPT Portugal, islands and oversea territories excluded

Price List 0726 en-PT

Environment / Storage



Sump Trays Type SERIES 2000	Category	Price	Freight charges	Price including freight charges
2028, painted	B	366,-	141,-	507,-
Drum Support FA 60-1, hot-dip galvanized	B	109,-	15,-	124,-
Drum Support FA 60-2, hot-dip galvanized	B	118,-	18,-	136,-
Drum Support FA 60-3, hot-dip galvanized	B	138,-	21,-	159,-
Drum Support FA 200-1, hot-dip galvanized	B	118,-	15,-	133,-
Drum Support FA 200-2, hot-dip galvanized	B	138,-	22,-	160,-
Can Shelf Type GR-A, galvanized	B	138,-	60,-	198,-
Can Shelf Type GR-B, galvanized	B	138,-	60,-	198,-
Can Shelf Type GR-C, galvanized	B	138,-	60,-	198,-
2028, hot-dip galvanized	B	412,-	141,-	553,-
Drum Support FA 60-1, hot-dip galvanized	B	109,-	15,-	124,-
Drum Support FA 60-2, hot-dip galvanized	B	118,-	18,-	136,-
Drum Support FA 60-3, hot-dip galvanized	B	138,-	21,-	159,-
Drum Support FA 200-1, hot-dip galvanized	B	118,-	15,-	133,-
Drum Support FA 200-2, hot-dip galvanized	B	138,-	22,-	160,-
Can Shelf Type GR-A, galvanized	B	138,-	60,-	198,-
Can Shelf Type GR-B, galvanized	B	138,-	60,-	198,-
Can Shelf Type GR-C, galvanized	B	138,-	60,-	198,-
2030, painted	B	275,-	141,-	416,-
2030, hot-dip galvanized	B	321,-	141,-	462,-
2032, painted	B	378,-	141,-	519,-
Drum Support FA 60-1, hot-dip galvanized	B	109,-	15,-	124,-
Drum Support FA 60-2, hot-dip galvanized	B	118,-	18,-	136,-
Drum Support FA 60-3, hot-dip galvanized	B	138,-	21,-	159,-
Drum Support FA 200-1, hot-dip galvanized	B	118,-	15,-	133,-
Drum Support FA 200-2, hot-dip galvanized	B	138,-	22,-	160,-
Can Shelf Type GR-A, galvanized	B	138,-	60,-	198,-
Can Shelf Type GR-B, galvanized	B	138,-	60,-	198,-
Can Shelf Type GR-C, galvanized	B	138,-	60,-	198,-
2032, hot-dip galvanized	B	426,-	141,-	567,-
Drum Support FA 60-1, hot-dip galvanized	B	109,-	15,-	124,-
Drum Support FA 60-2, hot-dip galvanized	B	118,-	18,-	136,-
Drum Support FA 60-3, hot-dip galvanized	B	138,-	21,-	159,-
Drum Support FA 200-1, hot-dip galvanized	B	118,-	15,-	133,-
Drum Support FA 200-2, hot-dip galvanized	B	138,-	22,-	160,-
Can Shelf Type GR-A, galvanized	B	138,-	60,-	198,-
Can Shelf Type GR-B, galvanized	B	138,-	60,-	198,-
Can Shelf Type GR-C, galvanized	B	138,-	60,-	198,-
2040, painted	B	351,-	141,-	492,-
2040, hot-dip galvanized	B	426,-	141,-	567,-
2042, painted	B	455,-	225,-	680,-
Drum Support FA 60-1, hot-dip galvanized	B	109,-	15,-	124,-
Drum Support FA 60-2, hot-dip galvanized	B	118,-	18,-	136,-
Drum Support FA 60-3, hot-dip galvanized	B	138,-	21,-	159,-
Can Shelf Type GR-A, galvanized	B	138,-	60,-	198,-
Can Shelf Type GR-B, galvanized	B	138,-	60,-	198,-

Prices in EUR, valid EXW DE-46354 Südlohn, DE-38820 Halberstadt, unpacked
Freight charges valid CPT Portugal, islands and oversea territories excluded

Price List 0726 en-PT

Environment / Storage



Sump Trays Type SERIES 2000	Category	Price	Freight charges	Price including freight charges
Can Shelf Type GR-C, galvanized	B	138,-	60,-	198,-
2042, hot-dip galvanized	B	529,-	225,-	754,-
Drum Support FA 60-1, hot-dip galvanized	B	109,-	15,-	124,-
Drum Support FA 60-2, hot-dip galvanized	B	118,-	18,-	136,-
Drum Support FA 60-3, hot-dip galvanized	B	138,-	21,-	159,-
Can Shelf Type GR-A, galvanized	B	138,-	60,-	198,-
Can Shelf Type GR-B, galvanized	B	138,-	60,-	198,-
Can Shelf Type GR-C, galvanized	B	138,-	60,-	198,-
2048, painted	B	271,-	141,-	412,-
2048, hot-dip galvanized	B	316,-	141,-	457,-
2050, painted	B	369,-	141,-	510,-
Drum Support FA 60-1, hot-dip galvanized	B	109,-	15,-	124,-
Drum Support FA 60-2, hot-dip galvanized	B	118,-	18,-	136,-
Drum Support FA 60-3, hot-dip galvanized	B	138,-	21,-	159,-
Can Shelf Type GR-A, galvanized	B	138,-	60,-	198,-
Can Shelf Type GR-B, galvanized	B	138,-	60,-	198,-
Can Shelf Type GR-C, galvanized	B	138,-	60,-	198,-
2050, hot-dip galvanized	B	414,-	141,-	555,-
Drum Support FA 60-1, hot-dip galvanized	B	109,-	15,-	124,-
Drum Support FA 60-2, hot-dip galvanized	B	118,-	18,-	136,-
Drum Support FA 60-3, hot-dip galvanized	B	138,-	21,-	159,-
Can Shelf Type GR-A, galvanized	B	138,-	60,-	198,-
Can Shelf Type GR-B, galvanized	B	138,-	60,-	198,-
Can Shelf Type GR-C, galvanized	B	138,-	60,-	198,-
Sump Trays Type SERIES 2000/SW	Category	Price	Freight charges	Price including freight charges
2002/SW, painted	B	427,-	141,-	568,-
2002/SW, hot-dip galvanized	B	464,-	141,-	605,-
2018/SW, painted	B	468,-	225,-	693,-
Drum Support FA 60-1, hot-dip galvanized	B	109,-	15,-	124,-
Drum Support FA 60-2, hot-dip galvanized	B	118,-	18,-	136,-
Drum Support FA 60-3, hot-dip galvanized	B	138,-	21,-	159,-
Drum Support FA 200-1, hot-dip galvanized	B	118,-	15,-	133,-
Can Shelf Type GR-A, galvanized	B	138,-	60,-	198,-
Can Shelf Type GR-B, galvanized	B	138,-	60,-	198,-
Can Shelf Type GR-C, galvanized	B	138,-	60,-	198,-
2018/SW, hot-dip galvanized	B	517,-	225,-	742,-
Drum Support FA 60-1, hot-dip galvanized	B	109,-	15,-	124,-
Drum Support FA 60-2, hot-dip galvanized	B	118,-	18,-	136,-
Drum Support FA 60-3, hot-dip galvanized	B	138,-	21,-	159,-
Drum Support FA 200-1, hot-dip galvanized	B	118,-	15,-	133,-
Can Shelf Type GR-A, galvanized	B	138,-	60,-	198,-
Can Shelf Type GR-B, galvanized	B	138,-	60,-	198,-
Can Shelf Type GR-C, galvanized	B	138,-	60,-	198,-
2032/SW, painted	B	552,-	225,-	777,-
Drum Support FA 60-1, hot-dip galvanized	B	109,-	15,-	124,-

Prices in EUR, valid EXW DE-46354 Südlohn, DE-38820 Halberstadt, unpacked
Freight charges valid CPT Portugal, islands and oversea territories excluded

Price List 0726 en-PT

Environment / Storage



Sump Trays Type SERIES 2000/SW	Category	Price	Freight charges	Price including freight charges
Drum Support FA 60-2, hot-dip galvanized	B	118,-	18,-	136,-
Drum Support FA 60-3, hot-dip galvanized	B	138,-	21,-	159,-
Drum Support FA 200-1, hot-dip galvanized	B	118,-	15,-	133,-
Drum Support FA 200-2, hot-dip galvanized	B	138,-	22,-	160,-
Can Shelf Type GR-A, galvanized	B	138,-	60,-	198,-
Can Shelf Type GR-B, galvanized	B	138,-	60,-	198,-
Can Shelf Type GR-C, galvanized	B	138,-	60,-	198,-
2032/SW, hot-dip galvanized	B	600,-	225,-	825,-
Drum Support FA 60-1, hot-dip galvanized	B	109,-	15,-	124,-
Drum Support FA 60-2, hot-dip galvanized	B	118,-	18,-	136,-
Drum Support FA 60-3, hot-dip galvanized	B	138,-	21,-	159,-
Drum Support FA 200-1, hot-dip galvanized	B	118,-	15,-	133,-
Drum Support FA 200-2, hot-dip galvanized	B	138,-	22,-	160,-
Can Shelf Type GR-A, galvanized	B	138,-	60,-	198,-
Can Shelf Type GR-B, galvanized	B	138,-	60,-	198,-
Can Shelf Type GR-C, galvanized	B	138,-	60,-	198,-
2042/SW, painted	B	685,-	278,-	963,-
Drum Support FA 60-1, hot-dip galvanized	B	109,-	15,-	124,-
Drum Support FA 60-2, hot-dip galvanized	B	118,-	18,-	136,-
Drum Support FA 60-3, hot-dip galvanized	B	138,-	21,-	159,-
Can Shelf Type GR-A, galvanized	B	138,-	60,-	198,-
Can Shelf Type GR-B, galvanized	B	138,-	60,-	198,-
Can Shelf Type GR-C, galvanized	B	138,-	60,-	198,-
2042/SW, hot-dip galvanized	B	760,-	278,-	1038,-
Drum Support FA 60-1, hot-dip galvanized	B	109,-	15,-	124,-
Drum Support FA 60-2, hot-dip galvanized	B	118,-	18,-	136,-
Drum Support FA 60-3, hot-dip galvanized	B	138,-	21,-	159,-
Can Shelf Type GR-A, galvanized	B	138,-	60,-	198,-
Can Shelf Type GR-B, galvanized	B	138,-	60,-	198,-
Can Shelf Type GR-C, galvanized	B	138,-	60,-	198,-
Mobile Sump Trays Type SERIES 2000	Category	Price	Freight charges	Price including freight charges
2004, painted	B	590,-	141,-	731,-
Fixture and Tension Belt for 1 x 200 Litre Drum	B	48,-	9,-	57,-
2004, hot-dip galvanized	B	657,-	141,-	798,-
Fixture and Tension Belt for 1 x 200 Litre Drum	B	48,-	9,-	57,-
2020, painted	B	656,-	141,-	797,-
Fixture and Tension Belt for 2 x 200 Litre Drums	B	48,-	9,-	57,-
2020, hot-dip galvanized	B	717,-	141,-	858,-
Fixture and Tension Belt for 2 x 200 Litre Drums	B	48,-	9,-	57,-
2050 SR, painted	B	709,-	141,-	850,-
Fixture and Tension Belt for 3 x 200 Litre Drums	B	48,-	9,-	57,-
2050 SR, hot-dip galvanized	B	766,-	225,-	991,-
Fixture and Tension Belt for 3 x 200 Litre Drums	B	48,-	9,-	57,-

Prices in EUR, valid EXW DE-46354 Südlohn, DE-38820 Halberstadt, unpacked
Freight charges valid CPT Portugal, islands and oversea territories excluded

Price List 0726 en-PT

Environment / Storage



Drum Shelves with Sump Trays Type SERIES 3000	Category	Price	Freight charges	Price including freight charges
3000, hot-dip galvanized	B	1091,-	225,-	1316,-
Retainer Bar	B	48,-	12,-	60,-
Rotating Support RA 200, hot-dip galvanized	B	97,-	10,-	107,-
Can Stand Type GS, hot-dip galvanized	B	65,-	18,-	83,-
Crash Guard	B	75,-	9,-	84,-
3001, hot-dip galvanized	B	919,-	225,-	1144,-
Retainer Bar	B	48,-	12,-	60,-
Rotating Support RA 200, hot-dip galvanized	B	97,-	10,-	107,-
Can Stand Type GS, hot-dip galvanized	B	65,-	18,-	83,-
Crash Guard	B	75,-	9,-	84,-
3002, hot-dip galvanized	B	1299,-	278,-	1577,-
Retainer Bar	B	48,-	12,-	60,-
Rotating Support RA 200, hot-dip galvanized	B	97,-	10,-	107,-
Can Stand Type GS, hot-dip galvanized	B	65,-	18,-	83,-
Crash Guard	B	75,-	9,-	84,-
3003, hot-dip galvanized	B	1101,-	278,-	1379,-
Retainer Bar	B	48,-	12,-	60,-
Rotating Support RA 200, hot-dip galvanized	B	97,-	10,-	107,-
Can Stand Type GS, hot-dip galvanized	B	65,-	18,-	83,-
Crash Guard	B	75,-	9,-	84,-
3004, hot-dip galvanized	B	1344,-	225,-	1569,-
Retainer Bar	B	48,-	12,-	60,-
Rotating Support RA 60, hot-dip galvanized	B	97,-	9,-	106,-
Can Stand Type GS, hot-dip galvanized	B	65,-	18,-	83,-
Crash Guard	B	75,-	9,-	84,-
3005, hot-dip galvanized	B	1216,-	225,-	1441,-
Retainer Bar	B	48,-	12,-	60,-
Rotating Support RA 60, hot-dip galvanized	B	97,-	9,-	106,-
Can Stand Type GS, hot-dip galvanized	B	65,-	18,-	83,-
Crash Guard	B	75,-	9,-	84,-
3006, hot-dip galvanized	B	1697,-	380,-	2077,-
Retainer Bar	B	48,-	12,-	60,-
Rotating Support RA 60, hot-dip galvanized	B	97,-	9,-	106,-
Can Stand Type GS, hot-dip galvanized	B	65,-	18,-	83,-
Crash Guard	B	75,-	9,-	84,-
3007, hot-dip galvanized	B	1449,-	278,-	1727,-
Retainer Bar	B	48,-	12,-	60,-
Rotating Support RA 60, hot-dip galvanized	B	97,-	9,-	106,-
Can Stand Type GS, hot-dip galvanized	B	65,-	18,-	83,-
Crash Guard	B	75,-	9,-	84,-
3010, hot-dip galvanized	B	1288,-	278,-	1566,-
Retainer Bar	B	48,-	12,-	60,-
Rotating Support RA 200, hot-dip galvanized	B	97,-	10,-	107,-
Can Stand Type GS, hot-dip galvanized	B	65,-	18,-	83,-
Crash Guard	B	75,-	9,-	84,-
3011, hot-dip galvanized	B	1071,-	278,-	1349,-

Prices in EUR, valid EXW DE-46354 Südlohn, DE-38820 Halberstadt, unpacked
Freight charges valid CPT Portugal, islands and oversea territories excluded

Price List 0726 en-PT

Environment / Storage



Drum Shelves with Sump Trays Type SERIES 3000	Category	Price	Freight charges	Price including freight charges
Retainer Bar	B	48,-	12,-	60,-
Rotating Support RA 200, hot-dip galvanized	B	97,-	10,-	107,-
Can Stand Type GS, hot-dip galvanized	B	65,-	18,-	83,-
Crash Guard	B	75,-	9,-	84,-

Small Can Shelves with Sumps Type SERIES 3000	Category	Price	Freight charges	Price including freight charges
3017-4E, galvanized	B	478,-	141,-	619,-
3018-4E, galvanized	B	397,-	141,-	538,-
3019-4E, galvanized	B	576,-	225,-	801,-
3020-4E, galvanized	B	493,-	225,-	718,-
3021-4E, galvanized	B	719,-	225,-	944,-
3022-4E, galvanized	B	626,-	141,-	767,-
3023-4E, galvanized	B	1162,-	278,-	1440,-
3024-4E, galvanized	B	968,-	278,-	1246,-

Shelves Type AG	Category	Price	Freight charges	Price including freight charges
AG 60-1, hot-dip galvanized	B	112,-	12,-	124,-
AG 60-2, hot-dip galvanized	B	117,-	14,-	131,-
AG 60-3, hot-dip galvanized	B	126,-	15,-	141,-

Sump Tray Type AM	Category	Price	Freight charges	Price including freight charges
AM-1, painted	B	335,-	141,-	476,-
AM-1, hot-dip galvanized	B	379,-	141,-	520,-
AM-2, painted	B	370,-	141,-	511,-
Drum Support FA 60-1, hot-dip galvanized	B	109,-	15,-	124,-
Drum Support FA 60-2, hot-dip galvanized	B	118,-	18,-	136,-
Drum Support FA 60-3, hot-dip galvanized	B	138,-	21,-	159,-
Drum Support FA 200-1, hot-dip galvanized	B	118,-	15,-	133,-
Can Shelf Type GR-A, galvanized	B	138,-	60,-	198,-
Can Shelf Type GR-B, galvanized	B	138,-	60,-	198,-
Can Shelf Type GR-C, galvanized	B	138,-	60,-	198,-
AM-2, hot-dip galvanized	B	427,-	141,-	568,-
Drum Support FA 60-1, hot-dip galvanized	B	109,-	15,-	124,-
Drum Support FA 60-2, hot-dip galvanized	B	118,-	18,-	136,-
Drum Support FA 60-3, hot-dip galvanized	B	138,-	21,-	159,-
Drum Support FA 200-1, hot-dip galvanized	B	118,-	15,-	133,-
Can Shelf Type GR-A, galvanized	B	138,-	60,-	198,-
Can Shelf Type GR-B, galvanized	B	138,-	60,-	198,-
Can Shelf Type GR-C, galvanized	B	138,-	60,-	198,-
AM-4/A, painted	B	443,-	141,-	584,-
Drum Support FA 60-1, hot-dip galvanized	B	109,-	15,-	124,-
Drum Support FA 60-2, hot-dip galvanized	B	118,-	18,-	136,-
Drum Support FA 60-3, hot-dip galvanized	B	138,-	21,-	159,-
Drum Support FA 200-1, hot-dip galvanized	B	118,-	15,-	133,-
Drum Support FA 200-2, hot-dip galvanized	B	138,-	22,-	160,-

Prices in EUR, valid EXW DE-46354 Südlohn, DE-38820 Halberstadt, unpacked
Freight charges valid CPT Portugal, islands and oversea territories excluded

Price List 0726 en-PT

Environment / Storage



Sump Tray Type AM	Category	Price	Freight charges	Price including freight charges
Can Shelf Type GR-A, galvanized	B	138,-	60,-	198,-
Can Shelf Type GR-B, galvanized	B	138,-	60,-	198,-
Can Shelf Type GR-C, galvanized	B	138,-	60,-	198,-
AM-4/A, hot-dip galvanized	B	499,-	225,-	724,-
Drum Support FA 60-1, hot-dip galvanized	B	109,-	15,-	124,-
Drum Support FA 60-2, hot-dip galvanized	B	118,-	18,-	136,-
Drum Support FA 60-3, hot-dip galvanized	B	138,-	21,-	159,-
Drum Support FA 200-1, hot-dip galvanized	B	118,-	15,-	133,-
Drum Support FA 200-2, hot-dip galvanized	B	138,-	22,-	160,-
Can Shelf Type GR-A, galvanized	B	138,-	60,-	198,-
Can Shelf Type GR-B, galvanized	B	138,-	60,-	198,-
Can Shelf Type GR-C, galvanized	B	138,-	60,-	198,-
AM-4/B, painted	B	532,-	225,-	757,-
Drum Support FA 60-1, hot-dip galvanized	B	109,-	15,-	124,-
Drum Support FA 60-2, hot-dip galvanized	B	118,-	18,-	136,-
Drum Support FA 60-3, hot-dip galvanized	B	138,-	21,-	159,-
Can Shelf Type GR-A, galvanized	B	138,-	60,-	198,-
Can Shelf Type GR-B, galvanized	B	138,-	60,-	198,-
Can Shelf Type GR-C, galvanized	B	138,-	60,-	198,-
AM-4/B, hot-dip galvanized	B	624,-	225,-	849,-
Drum Support FA 60-1, hot-dip galvanized	B	109,-	15,-	124,-
Drum Support FA 60-2, hot-dip galvanized	B	118,-	18,-	136,-
Drum Support FA 60-3, hot-dip galvanized	B	138,-	21,-	159,-
Can Shelf Type GR-A, galvanized	B	138,-	60,-	198,-
Can Shelf Type GR-B, galvanized	B	138,-	60,-	198,-
Can Shelf Type GR-C, galvanized	B	138,-	60,-	198,-
Sump Tray Type AO	Category	Price	Freight charges	Price including freight charges
AO-1, painted	B	292,-	141,-	433,-
AO-1, hot-dip galvanized	B	337,-	141,-	478,-
AO-2, painted	B	310,-	141,-	451,-
AO-2, hot-dip galvanized	B	367,-	141,-	508,-
AO-4/A, painted	B	322,-	141,-	463,-
AO-4/A, hot-dip galvanized	B	378,-	141,-	519,-
AO-4/B, painted	B	412,-	141,-	553,-
AO-4/B, hot-dip galvanized	B	500,-	141,-	641,-
Sump Tray Type AW	Category	Price	Freight charges	Price including freight charges
AW 450, painted	B	641,-	225,-	866,-
AW 450, hot-dip galvanized	B	795,-	225,-	1020,-
AW 800, painted	B	667,-	225,-	892,-
AW 800, hot-dip galvanized	B	831,-	225,-	1056,-
AW 1000, painted	B	672,-	225,-	897,-
AW 1000, hot-dip galvanized	B	838,-	225,-	1063,-
AW 1000-2, painted	B	861,-	380,-	1241,-

Prices in EUR, valid EXW DE-46354 Südlohn, DE-38820 Halberstadt, unpacked
Freight charges valid CPT Portugal, islands and oversea territories excluded

Price List 0726 en-PT

Environment / Storage



Sump Tray Type AW	Category	Price	Freight charges	Price including freight charges
AW 1000-2, hot-dip galvanized	B	966,-	380,-	1346,-
AW 1000-3, painted	B	1524,-	380,-	1904,-
AW 1000-3, hot-dip galvanized	B	1641,-	451,-	2092,-
AW 1000-10F, painted	B	1032,-	380,-	1412,-
AW 1000-10F, hot-dip galvanized	B	1195,-	380,-	1575,-

Sump Tray Type AW/SW	Category	Price	Freight charges	Price including freight charges
AW 450/SW, painted	B	844,-	225,-	1069,-
AW 450/SW, hot-dip galvanized	B	998,-	327,-	1325,-
AW 800/SW, painted	B	869,-	327,-	1196,-
AW 800/SW, hot-dip galvanized	B	1032,-	327,-	1359,-
AW 1000/SW, painted	B	874,-	327,-	1201,-
AW 1000/SW, hot-dip galvanized	B	1042,-	327,-	1369,-
AW 1000-2/SW, painted	B	1091,-	380,-	1471,-
AW 1000-2/SW, hot-dip galvanized	B	1196,-	451,-	1647,-
AW 1000-3/SW, painted	B	1787,-	on request	on request
AW 1000-3/SW, hot-dip galvanized	B	2121,-	on request	on request
AW 1000-10F/SW, painted	B	1387,-	451,-	1838,-
AW 1000-10F/SW, hot-dip galvanized	B	1548,-	451,-	1999,-

Mobile Sump Tray AW 60-1 SR	Category	Price	Freight charges	Price including freight charges
AW 60-1 SR, painted	B	325,-	141,-	466,-
Fixture and Tension belt for 2 x 60 Litre Drums	B	45,-	8,-	53,-
AW 60-1 SR, hot-dip galvanized	B	345,-	141,-	486,-
Fixture and Tension belt for 2 x 60 Litre Drums	B	45,-	8,-	53,-

Mobile Sump Tray AW 60-1 SRF	Category	Price	Freight charges	Price including freight charges
AW 60-1 SRF, painted	B	429,-	141,-	570,-
AW 60-1 SRF, hot-dip galvanized	B	451,-	141,-	592,-

Sump Tray Type AW 60	Category	Price	Freight charges	Price including freight charges
AW 60-1, painted	B	176,-	60,-	236,-
Grid GR 60-1, hot-dip galvanized	B	23,-	8,-	31,-
Drum Support FA 60-A, galvanized	B	25,-	8,-	33,-
Rotating Support RA 60-A, hot-dip galvanized	B	97,-	9,-	106,-
AG 60-1, hot-dip galvanized	B	112,-	12,-	124,-
Canister Stand AB, galvanized	B	19,-	8,-	27,-
Castor Set, polyamide, Load capacity 375 kg / castor set	B	86,-	15,-	101,-
AW 60-1, hot-dip galvanized	B	189,-	60,-	249,-
Grid GR 60-1, hot-dip galvanized	B	23,-	8,-	31,-
Drum Support FA 60-A, galvanized	B	25,-	8,-	33,-
Rotating Support RA 60-A, hot-dip galvanized	B	97,-	9,-	106,-
AG 60-1, hot-dip galvanized	B	112,-	12,-	124,-
Canister Stand AB, galvanized	B	19,-	8,-	27,-
Castor Set, polyamide, Load capacity 375 kg / castor set	B	86,-	15,-	101,-

Prices in EUR, valid EXW DE-46354 Südlohn, DE-38820 Halberstadt, unpacked
 Freight charges valid CPT Portugal, islands and oversea territories excluded

Price List 0726 en-PT

Environment / Storage



Sump Tray Type AW 60	Category	Price	Freight charges	Price including freight charges
AW 60-2, painted	B	177,-	141,-	318,-
Grid GR 60-2, hot-dip galvanized	B	27,-	12,-	39,-
Drum Support FA 60-A, galvanized	B	25,-	8,-	33,-
Rotating Support RA 60-A, hot-dip galvanized	B	97,-	9,-	106,-
AG 60-2, hot-dip galvanized	B	117,-	14,-	131,-
Canister Stand AB, galvanized	B	19,-	8,-	27,-
Castor Set, polyamide, Load capacity 375 kg / castor set	B	86,-	15,-	101,-
AW 60-2, hot-dip galvanized	B	195,-	141,-	336,-
Grid GR 60-2, hot-dip galvanized	B	27,-	12,-	39,-
Drum Support FA 60-A, galvanized	B	25,-	8,-	33,-
Rotating Support RA 60-A, hot-dip galvanized	B	97,-	9,-	106,-
AG 60-2, hot-dip galvanized	B	117,-	14,-	131,-
Canister Stand AB, galvanized	B	19,-	8,-	27,-
Castor Set, polyamide, Load capacity 375 kg / castor set	B	86,-	15,-	101,-
AW 60-3, painted	B	193,-	141,-	334,-
Grid GR 60-3, hot-dip galvanized	B	40,-	14,-	54,-
Drum Support FA 60-A, galvanized	B	25,-	8,-	33,-
Rotating Support RA 60-A, hot-dip galvanized	B	97,-	9,-	106,-
AG 60-3, hot-dip galvanized	B	126,-	15,-	141,-
Canister Stand AB, galvanized	B	19,-	8,-	27,-
Castor Set, polyamide, Load capacity 375 kg / castor set	B	86,-	15,-	101,-
AW 60-3, hot-dip galvanized	B	217,-	141,-	358,-
Grid GR 60-3, hot-dip galvanized	B	40,-	14,-	54,-
Drum Support FA 60-A, galvanized	B	25,-	8,-	33,-
Rotating Support RA 60-A, hot-dip galvanized	B	97,-	9,-	106,-
AG 60-3, hot-dip galvanized	B	126,-	15,-	141,-
Canister Stand AB, galvanized	B	19,-	8,-	27,-
Castor Set, polyamide, Load capacity 375 kg / castor set	B	86,-	15,-	101,-

Sump Tray Type AW 60/M	Category	Price	Freight charges	Price including freight charges
AW 60-1/M, painted	B	196,-	141,-	337,-
Drum Support FA 60-A, galvanized	B	25,-	8,-	33,-
Rotating Support RA 60-A, hot-dip galvanized	B	97,-	9,-	106,-
AG 60-1, hot-dip galvanized	B	112,-	12,-	124,-
Canister Stand AB, galvanized	B	19,-	8,-	27,-
Castor Set, polyamide, Load capacity 375 kg / castor set	B	86,-	15,-	101,-
AW 60-1/M, hot-dip galvanized	B	211,-	141,-	352,-
Drum Support FA 60-A, galvanized	B	25,-	8,-	33,-
Rotating Support RA 60-A, hot-dip galvanized	B	97,-	9,-	106,-
AG 60-1, hot-dip galvanized	B	112,-	12,-	124,-
Canister Stand AB, galvanized	B	19,-	8,-	27,-
Castor Set, polyamide, Load capacity 375 kg / castor set	B	86,-	15,-	101,-
AW 60-2/M, painted	B	203,-	141,-	344,-
Drum Support FA 60-A, galvanized	B	25,-	8,-	33,-
Drum Support FA 60-2, hot-dip galvanized	B	118,-	18,-	136,-
Rotating Support RA 60-A, hot-dip galvanized	B	97,-	9,-	106,-

Prices in EUR, valid EXW DE-46354 Südlohn, DE-38820 Halberstadt, unpacked
 Freight charges valid CPT Portugal, islands and oversea territories excluded

Price List 0726 en-PT

Environment / Storage



Sump Tray Type AW 60/M	Category	Price	Freight charges	Price including freight charges
AG 60-2, hot-dip galvanized	B	117,-	14,-	131,-
Canister Stand AB, galvanized	B	19,-	8,-	27,-
Castor Set, polyamide, Load capacity 375 kg / castor set	B	86,-	15,-	101,-
AW 60-2/M, hot-dip galvanized	B	221,-	141,-	362,-
Drum Support FA 60-A, galvanized	B	25,-	8,-	33,-
Drum Support FA 60-2, hot-dip galvanized	B	118,-	18,-	136,-
Rotating Support RA 60-A, hot-dip galvanized	B	97,-	9,-	106,-
AG 60-2, hot-dip galvanized	B	117,-	14,-	131,-
Canister Stand AB, galvanized	B	19,-	8,-	27,-
Castor Set, polyamide, Load capacity 375 kg / castor set	B	86,-	15,-	101,-
AW 60-3/M, painted	B	232,-	141,-	373,-
Drum Support FA 60-A, galvanized	B	25,-	8,-	33,-
Drum Support FA 60-2, hot-dip galvanized	B	118,-	18,-	136,-
Drum Support FA 60-3, hot-dip galvanized	B	138,-	21,-	159,-
Rotating Support RA 60-A, hot-dip galvanized	B	97,-	9,-	106,-
AG 60-3, hot-dip galvanized	B	126,-	15,-	141,-
Canister Stand AB, galvanized	B	19,-	8,-	27,-
Castor Set, polyamide, Load capacity 375 kg / castor set	B	86,-	15,-	101,-
AW 60-3/M, hot-dip galvanized	B	254,-	141,-	395,-
Drum Support FA 60-A, galvanized	B	25,-	8,-	33,-
Drum Support FA 60-2, hot-dip galvanized	B	118,-	18,-	136,-
Drum Support FA 60-3, hot-dip galvanized	B	138,-	21,-	159,-
Rotating Support RA 60-A, hot-dip galvanized	B	97,-	9,-	106,-
AG 60-3, hot-dip galvanized	B	126,-	15,-	141,-
Canister Stand AB, galvanized	B	19,-	8,-	27,-
Castor Set, polyamide, Load capacity 375 kg / castor set	B	86,-	15,-	101,-

Sump Tray Type AW/PE	Category	Price	Freight charges	Price including freight charges
AW-1/PE, painted	B	658,-	141,-	799,-
AW-1/PE, hot-dip galvanized	B	688,-	141,-	829,-
AW-2/PE, painted	B	721,-	141,-	862,-
Drum Support FA 60-1, hot-dip galvanized	B	109,-	15,-	124,-
Drum Support FA 60-2, hot-dip galvanized	B	118,-	18,-	136,-
Drum Support FA 60-3, hot-dip galvanized	B	138,-	21,-	159,-
Drum Support FA 200-1, hot-dip galvanized	B	118,-	15,-	133,-
Can Shelf Type GR-A, galvanized	B	138,-	60,-	198,-
Can Shelf Type GR-B, galvanized	B	138,-	60,-	198,-
Can Shelf Type GR-C, galvanized	B	138,-	60,-	198,-
AW-2/PE, hot-dip galvanized	B	757,-	141,-	898,-
Drum Support FA 60-1, hot-dip galvanized	B	109,-	15,-	124,-
Drum Support FA 60-2, hot-dip galvanized	B	118,-	18,-	136,-
Drum Support FA 60-3, hot-dip galvanized	B	138,-	21,-	159,-
Drum Support FA 200-1, hot-dip galvanized	B	118,-	15,-	133,-
Can Shelf Type GR-A, galvanized	B	138,-	60,-	198,-
Can Shelf Type GR-B, galvanized	B	138,-	60,-	198,-
Can Shelf Type GR-C, galvanized	B	138,-	60,-	198,-

Prices in EUR, valid EXW DE-46354 Südlohn, DE-38820 Halberstadt, unpacked
Freight charges valid CPT Portugal, islands and oversea territories excluded

Price List 0726 en-PT

Environment / Storage



Sump Tray Type AW/PE	Category	Price	Freight charges	Price including freight charges
AW-4/A/PE, painted	B	818,-	225,-	1043,-
Drum Support FA 60-1, hot-dip galvanized	B	109,-	15,-	124,-
Drum Support FA 60-2, hot-dip galvanized	B	118,-	18,-	136,-
Drum Support FA 60-3, hot-dip galvanized	B	138,-	21,-	159,-
Drum Support FA 200-1, hot-dip galvanized	B	118,-	15,-	133,-
Drum Support FA 200-2, hot-dip galvanized	B	138,-	22,-	160,-
Can Shelf Type GR-A, galvanized	B	138,-	60,-	198,-
Can Shelf Type GR-B, galvanized	B	138,-	60,-	198,-
Can Shelf Type GR-C, galvanized	B	138,-	60,-	198,-
AW-4/A/PE, hot-dip galvanized	B	859,-	225,-	1084,-
Drum Support FA 60-1, hot-dip galvanized	B	109,-	15,-	124,-
Drum Support FA 60-2, hot-dip galvanized	B	118,-	18,-	136,-
Drum Support FA 60-3, hot-dip galvanized	B	138,-	21,-	159,-
Drum Support FA 200-1, hot-dip galvanized	B	118,-	15,-	133,-
Drum Support FA 200-2, hot-dip galvanized	B	138,-	22,-	160,-
Can Shelf Type GR-A, galvanized	B	138,-	60,-	198,-
Can Shelf Type GR-B, galvanized	B	138,-	60,-	198,-
Can Shelf Type GR-C, galvanized	B	138,-	60,-	198,-
AW-4/B/PE, painted	B	1021,-	278,-	1299,-
Drum Support FA 60-1, hot-dip galvanized	B	109,-	15,-	124,-
Drum Support FA 60-2, hot-dip galvanized	B	118,-	18,-	136,-
Drum Support FA 60-3, hot-dip galvanized	B	138,-	21,-	159,-
Can Shelf Type GR-A, galvanized	B	138,-	60,-	198,-
Can Shelf Type GR-B, galvanized	B	138,-	60,-	198,-
Can Shelf Type GR-C, galvanized	B	138,-	60,-	198,-
AW-4/B/PE, hot-dip galvanized	B	1096,-	278,-	1374,-
Drum Support FA 60-1, hot-dip galvanized	B	109,-	15,-	124,-
Drum Support FA 60-2, hot-dip galvanized	B	118,-	18,-	136,-
Drum Support FA 60-3, hot-dip galvanized	B	138,-	21,-	159,-
Can Shelf Type GR-A, galvanized	B	138,-	60,-	198,-
Can Shelf Type GR-B, galvanized	B	138,-	60,-	198,-
Can Shelf Type GR-C, galvanized	B	138,-	60,-	198,-
AW 1000/PE, painted	B	1386,-	327,-	1713,-
AW 1000/PE, hot-dip galvanized	B	1575,-	327,-	1902,-
AW 1000-2/PE, painted	B	1700,-	380,-	2080,-
AW 1000-2/PE, hot-dip galvanized	B	1818,-	380,-	2198,-
Sump Trays AW 8-12	Category	Price	Freight charges	Price including freight charges
AW-8, painted	B	732,-	278,-	1010,-
AW-8, hot-dip galvanized	B	815,-	380,-	1195,-
AW-10, painted	B	904,-	380,-	1284,-
AW-10, hot-dip galvanized	B	1239,-	380,-	1619,-
AW-12, painted	B	1035,-	380,-	1415,-
AW-12, hot-dip galvanized	B	1431,-	380,-	1811,-

Prices in EUR, valid EXW DE-46354 Südlohn, DE-38820 Halberstadt, unpacked
Freight charges valid CPT Portugal, islands and oversea territories excluded

Price List 0726 en-PT

Environment / Storage



Sump Tray Type AWA	Category	Price	Freight charges	Price including freight charges
AWA 1000, painted	B	864,-	225,-	1089,-
AWA 1000, hot-dip galvanized	B	1045,-	327,-	1372,-
AWA 1000-2, painted	B	1239,-	380,-	1619,-
AWA 1000-2, hot-dip galvanized	B	1374,-	380,-	1754,-
AWA 1000-3, painted	B	2254,-	451,-	2705,-
AWA 1000-3, hot-dip galvanized	B	2385,-	620,-	3005,-
AWA 21, painted	B	1048,-	380,-	1428,-
AWA 21, hot-dip galvanized	B	1182,-	380,-	1562,-
AWA 31, painted	B	1956,-	451,-	2407,-
AWA 31, hot-dip galvanized	B	2077,-	451,-	2528,-
AWA 32, painted	B	2127,-	451,-	2578,-
AWA 32, hot-dip galvanized	B	2250,-	451,-	2701,-

Sump Tray Type AWA/SW	Category	Price	Freight charges	Price including freight charges
AWA 1000/SW, painted	B	1064,-	327,-	1391,-
AWA 1000/SW, hot-dip galvanized	B	1246,-	327,-	1573,-
AWA 1000-2/SW, painted	B	1472,-	451,-	1923,-
AWA 1000-2/SW, hot-dip galvanized	B	1605,-	451,-	2056,-
AWA 1000-3/SW, painted	B	2518,-	on request	on request
AWA 1000-3/SW, hot-dip galvanized	B	2648,-	on request	on request
AWA 21/SW, painted	B	1278,-	451,-	1729,-
AWA 21/SW, hot-dip galvanized	B	1413,-	451,-	1864,-
AWA 31/SW, painted	B	2217,-	on request	on request
AWA 31/SW, hot-dip galvanized	B	2339,-	on request	on request
AWA 32/SW, painted	B	2388,-	on request	on request
AWA 32/SW, hot-dip galvanized	B	2512,-	on request	on request

Sump Tray Type AW-F	Category	Price	Freight charges	Price including freight charges
AW-F 1, painted	B	657,-	141,-	798,-
Fixture and Tension Belt for 1 x 200 Litre Drum	B	48,-	9,-	57,-
AW-F 1, hot-dip galvanized	B	780,-	141,-	921,-
Fixture and Tension Belt for 1 x 200 Litre Drum	B	48,-	9,-	57,-
AW-F 2, painted	B	688,-	141,-	829,-
Fixture and Tension Belt for 2 x 200 Litre Drums	B	48,-	9,-	57,-
AW-F 2, hot-dip galvanized	B	842,-	141,-	983,-
Fixture and Tension Belt for 2 x 200 Litre Drums	B	48,-	9,-	57,-

Ground Protection Spill Tray Type BSW	Category	Price	Freight charges	Price including freight charges
BSW 21, galvanized	B	449,-	225,-	674,-
Access Ramp AR 21, galvanized	B	166,-	22,-	188,-
Access Corner Piece AE 24, galvanized	B	130,-	10,-	140,-
Cross-Shaped Connector KV 24, galvanized	B	20,-	8,-	28,-
Tray Connecting Strip WV 21, galvanized	B	22,-	8,-	30,-
BSW 22, galvanized	B	590,-	225,-	815,-
Access Ramp AR 21, galvanized	B	166,-	22,-	188,-

Prices in EUR, valid EXW DE-46354 Südlohn, DE-38820 Halberstadt, unpacked
Freight charges valid CPT Portugal, islands and oversea territories excluded

Price List 0726 en-PT

Environment / Storage



Ground Protection Spill Tray Type BSW	Category	Price	Freight charges	Price including freight charges
Access Ramp AR 22, galvanized	B	211,-	32,-	243,-
Access Corner Piece AE 24, galvanized	B	130,-	10,-	140,-
Cross-Shaped Connector KV 24, galvanized	B	20,-	8,-	28,-
Tray Connecting Strip WV 21, galvanized	B	22,-	8,-	30,-
Tray Connecting Strip WV 22, galvanized	B	24,-	8,-	32,-
BSW 23, galvanized	B	764,-	346,-	1110,-
Access Ramp AR 23, galvanized	B	300,-	194,-	494,-
Access Ramp AR 21, galvanized	B	166,-	22,-	188,-
Access Corner Piece AE 24, galvanized	B	130,-	10,-	140,-
Cross-Shaped Connector KV 24, galvanized	B	20,-	8,-	28,-
Tray Connecting Strip WV 21, galvanized	B	22,-	8,-	30,-
Tray Connecting Strip WV 23, galvanized	B	37,-	9,-	46,-
BSW 24, galvanized	B	1341,-	437,-	1778,-
Access Ramp AR 23, galvanized	B	300,-	194,-	494,-
Access Ramp AR 22, galvanized	B	211,-	32,-	243,-
Access Corner Piece AE 24, galvanized	B	130,-	10,-	140,-
Cross-Shaped Connector KV 24, galvanized	B	20,-	8,-	28,-
Tray Connecting Strip WV 22, galvanized	B	24,-	8,-	32,-
Tray Connecting Strip WV 23, galvanized	B	37,-	9,-	46,-
BSW 121, galvanized	B	199,-	60,-	259,-
Access Ramp AR 121, galvanized	B	163,-	22,-	185,-
Cross-Shaped Connector KV 24, galvanized	B	20,-	8,-	28,-
Tray Connecting Strip WV 121, galvanized	B	21,-	9,-	30,-
BSW 122, galvanized	B	243,-	141,-	384,-
Access Ramp AR 121, galvanized	B	163,-	22,-	185,-
Access Ramp AR 122, galvanized	B	275,-	36,-	311,-
Access Corner Piece AE 124, galvanized	B	261,-	21,-	282,-
Cross-Shaped Connector KV 24, galvanized	B	20,-	8,-	28,-
Tray Connecting Strip WV 121, galvanized	B	21,-	9,-	30,-
Tray Connecting Strip WV 122, galvanized	B	26,-	9,-	35,-
BSW 123, galvanized	B	339,-	141,-	480,-
Access Ramp AR 122, galvanized	B	275,-	36,-	311,-
Access Corner Piece AE 124, galvanized	B	261,-	21,-	282,-
Cross-Shaped Connector KV 24, galvanized	B	20,-	8,-	28,-
Tray Connecting Strip WV 122, galvanized	B	26,-	9,-	35,-
BSW 124, galvanized	B	553,-	225,-	778,-
Access Ramp AR 122, galvanized	B	275,-	36,-	311,-
Access Ramp AR 123, galvanized	B	338,-	225,-	563,-
Access Corner Piece AE 124, galvanized	B	261,-	21,-	282,-
Cross-Shaped Connector KV 24, galvanized	B	20,-	8,-	28,-
Tray Connecting Strip WV 122, galvanized	B	26,-	9,-	35,-
Tray Connecting Strip WV 123, galvanized	B	36,-	9,-	45,-
BSW 125, galvanized	B	426,-	278,-	704,-
Access Ramp AR 121, galvanized	B	163,-	22,-	185,-
Access Ramp AR 124, galvanized	B	392,-	278,-	670,-
Access Corner Piece AE 124, galvanized	B	261,-	21,-	282,-

Prices in EUR, valid EXW DE-46354 Südlohn, DE-38820 Halberstadt, unpacked
Freight charges valid CPT Portugal, islands and oversea territories excluded

Price List 0726 en-PT

Environment / Storage



Ground Protection Spill Tray Type BSW	Category	Price	Freight charges	Price including freight charges
Cross-Shaped Connector KV 24, galvanized	B	20,-	8,-	28,-
Tray Connecting Strip WV 121, galvanized	B	21,-	9,-	30,-
Tray Connecting Strip WV 124, galvanized	B	49,-	9,-	58,-
BSW 126, galvanized	B	668,-	380,-	1048,-
Access Ramp AR 122, galvanized	B	275,-	36,-	311,-
Access Ramp AR 124, galvanized	B	392,-	278,-	670,-
Access Corner Piece AE 124, galvanized	B	261,-	21,-	282,-
Cross-Shaped Connector KV 24, galvanized	B	20,-	8,-	28,-
Tray Connecting Strip WV 122, galvanized	B	26,-	9,-	35,-
Tray Connecting Strip WV 124, galvanized	B	49,-	9,-	58,-

Polyethylene Bunded Spill Flooring Type BWP-PE	Category	Price	Freight charges	Price including freight charges
BWP-PE 150, made of robust polyethylene	B	316,-	141,-	457,-
Ramp Type BWR, robust polyethylene, black	B	222,-	12,-	234,-
Joining Element BWV 2, stainless steel 1.4301	B	29,-	9,-	38,-
BWP-PE 300, made of robust polyethylene	B	641,-	141,-	782,-
Ramp Type BWR, robust polyethylene, black	B	222,-	12,-	234,-
Joining Element BWV 4, stainless steel 1.4301	B	38,-	10,-	48,-

Polyethylene Bunded Spill Flooring Type BWPS-PE	Category	Price	Freight charges	Price including freight charges
BWPS-PE 300, made of robust polyethylene	B	786,-	194,-	980,-
Ramp Type BWR, robust polyethylene, black	B	222,-	12,-	234,-
Joining Element BWV 2, stainless steel 1.4301	B	29,-	9,-	38,-

Shelf Container Type CEH	Category	Price	Freight charges	Price including freight charges
CEH 29-2, painted	C	9142,-	on request	on request
CEH 29-2 IBC, painted	C	10076,-	on request	on request
CEH 36-2 IBC, painted	C	11727,-	on request	on request
CEH 38-2, painted	C	11719,-	on request	on request
CEH 59-2, painted	C	17352,-	on request	on request
CEH 59-2 IBC, painted	C	18629,-	on request	on request
CEH 75-2 IBC, painted	C	22081,-	on request	on request
CEH 81-2, painted	C	22524,-	on request	on request

Shelf Container Type CEN	Category	Price	Freight charges	Price including freight charges
CEN 29-2, painted	C	7714,-	on request	on request
Potential equalisation	C	184,-	0,-	184,-
CEN 29-2 IBC, painted	C	8421,-	on request	on request
Potential equalisation	C	184,-	0,-	184,-
CEN 29-2b, painted	C	13445,-	on request	on request
Potential equalisation	C	366,-	0,-	366,-
CEN 29-2b IBC, painted	C	14379,-	on request	on request
Potential equalisation	C	366,-	0,-	366,-
CEN 29-3, painted	C	12140,-	on request	on request
Potential equalisation	C	274,-	0,-	274,-

Prices in EUR, valid EXW DE-46354 Südlohn, DE-38820 Halberstadt, unpacked
 Freight charges valid CPT Portugal, islands and oversea territories excluded

Price List 0726 en-PT

Environment / Storage



Shelf Container Type CEN	Category	Price	Freight charges	Price including freight charges
CEN 29-3 IBC, painted	C	12917,-	on request	on request
Potential equalisation	C	274,-	0,-	274,-
CEN 29-3b, painted	C	19757,-	on request	on request
Potential equalisation	C	546,-	0,-	546,-
CEN 29-3b IBC, painted	C	20862,-	on request	on request
Potential equalisation	C	546,-	0,-	546,-
CEN 33-2 IBC, painted	C	9393,-	on request	on request
Potential equalisation	C	184,-	0,-	184,-
CEN 33-2b IBC, painted	C	15740,-	on request	on request
Potential equalisation	C	366,-	0,-	366,-
CEN 33-3 IBC, painted	C	13849,-	on request	on request
Potential equalisation	C	274,-	0,-	274,-
CEN 33-3b IBC, painted	C	22018,-	on request	on request
Potential equalisation	C	546,-	0,-	546,-
CEN 36-2, painted	C	9470,-	on request	on request
Potential equalisation	C	184,-	0,-	184,-
CEN 36-2b, painted	C	16110,-	on request	on request
Potential equalisation	C	366,-	0,-	366,-
CEN 36-3, painted	C	14046,-	on request	on request
Potential equalisation	C	274,-	0,-	274,-
CEN 36-3b, painted	C	22693,-	on request	on request
Potential equalisation	C	546,-	0,-	546,-
CEN 59-2, painted	C	12772,-	on request	on request
Potential equalisation	C	365,-	0,-	365,-
CEN 59-2 IBC, painted	C	13917,-	on request	on request
Potential equalisation	C	365,-	0,-	365,-
CEN 59-2b, painted	C	21982,-	on request	on request
Potential equalisation	C	729,-	0,-	729,-
CEN 59-2b IBC, painted	C	22754,-	on request	on request
Potential equalisation	C	729,-	0,-	729,-
CEN 59-3, painted	C	19663,-	on request	on request
Potential equalisation	C	545,-	0,-	545,-
CEN 59-3 IBC, painted	C	20812,-	on request	on request
Potential equalisation	C	545,-	0,-	545,-
CEN 59-3b, painted	C	31741,-	on request	on request
Potential equalisation	C	1089,-	0,-	1089,-
CEN 59-3b IBC, painted	C	33404,-	on request	on request
Potential equalisation	C	1089,-	0,-	1089,-
CEN 65-2 IBC, painted	C	15002,-	on request	on request
Potential equalisation	C	365,-	0,-	365,-
CEN 65-2b IBC, painted	C	25299,-	on request	on request
Potential equalisation	C	729,-	0,-	729,-
CEN 65-3 IBC, painted	C	21999,-	on request	on request
Potential equalisation	C	545,-	0,-	545,-
CEN 65-3b IBC, painted	C	35919,-	on request	on request
Potential equalisation	C	1089,-	0,-	1089,-

Prices in EUR, valid EXW DE-46354 Südlohn, DE-38820 Halberstadt, unpacked
Freight charges valid CPT Portugal, islands and oversea territories excluded

Price List 0726 en-PT

Environment / Storage



Shelf Container Type CEN	Category	Price	Freight charges	Price including freight charges
CEN 75-2, painted	C	16004,-	on request	on request
Potential equalisation	C	365,-	0,-	365,-
CEN 75-2b, painted	C	26485,-	on request	on request
Potential equalisation	C	729,-	0,-	729,-
CEN 75-3, painted	C	23086,-	on request	on request
Potential equalisation	C	545,-	0,-	545,-
CEN 75-3b, painted	C	37480,-	on request	on request
Potential equalisation	C	1089,-	0,-	1089,-
CEN 81-2, painted	C	16788,-	on request	on request
Potential equalisation	C	365,-	0,-	365,-
CEN 81-2b, painted	C	27692,-	on request	on request
Potential equalisation	C	729,-	0,-	729,-
CEN 81-3, painted	C	24174,-	on request	on request
Potential equalisation	C	545,-	0,-	545,-
CEN 81-3b, painted	C	39119,-	on request	on request
Potential equalisation	C	1089,-	0,-	1089,-

Sump Tray for Skips Type CW	Category	Price	Freight charges	Price including freight charges
CW 1, painted	B	2952,-	on request	on request
CW 2, painted	B	3226,-	on request	on request
CW 3, painted	B	3722,-	on request	on request

Sump Tray Type ECO	Category	Price	Freight charges	Price including freight charges
ECO 1/200, painted	B	246,-	141,-	387,-
ECO 1/200, hot-dip galvanized	B	256,-	141,-	397,-
ECO 2/200, painted	B	261,-	141,-	402,-
ECO 2/200, hot-dip galvanized	B	270,-	141,-	411,-
ECO 4/200, painted	B	285,-	141,-	426,-
ECO 4/200, hot-dip galvanized	B	297,-	141,-	438,-
ECO 4/400, painted	B	354,-	141,-	495,-
ECO 4/400, hot-dip galvanized	B	370,-	141,-	511,-
ECO 1/1000, painted	B	632,-	225,-	857,-
ECO 1/1000, hot-dip galvanized	B	759,-	225,-	984,-
ECO 2/1000, painted	B	826,-	278,-	1104,-
ECO 2/1000, hot-dip galvanized	B	915,-	278,-	1193,-

Sump Tray Type ECO-A	Category	Price	Freight charges	Price including freight charges
ECO-A 1/1000, painted	B	831,-	225,-	1056,-
ECO-A 1/1000, hot-dip galvanized	B	971,-	225,-	1196,-
ECO-A 2/1000, painted	B	1221,-	380,-	1601,-
ECO-A 2/1000, hot-dip galvanized	B	1341,-	380,-	1721,-

Sump Tray Type ECO-S	Category	Price	Freight charges	Price including freight charges
ECO-S 2/200, hot-dip galvanized	B	3447,-	570,-	4017,-
ECO-S 4/200, hot-dip galvanized	B	4053,-	885,-	4938,-

Prices in EUR, valid EXW DE-46354 Südlohn, DE-38820 Halberstadt, unpacked
 Freight charges valid CPT Portugal, islands and oversea territories excluded

Price List 0726 en-PT

Environment / Storage



Sump Tray Type ECO-S	Category	Price	Freight charges	Price including freight charges
ECO-S 4/400, hot-dip galvanized	B	5000,-	885,-	5885,-

Suspended Sump with Polyethylene Inlay Type EHW PE	Category	Price	Freight charges	Price including freight charges
EHW 1800 PE, painted	B	909,-	225,-	1134,-
EHW 1800 PE, hot-dip galvanized	B	922,-	225,-	1147,-
EHW 2200 PE, painted	B	987,-	225,-	1212,-
EHW 2200 PE, hot-dip galvanized	B	1028,-	225,-	1253,-
EHW 2700 PE, painted	B	1144,-	380,-	1524,-
EHW 2700 PE, hot-dip galvanized	B	1211,-	380,-	1591,-
EHW 3300 PE, painted	B	1653,-	380,-	2033,-
EHW 3300 PE, hot-dip galvanized	B	1727,-	380,-	2107,-

Suspended Sump Type EHW	Category	Price	Freight charges	Price including freight charges
EHW 1800, painted	B	509,-	225,-	734,-
EHW 1800, hot-dip galvanized	B	521,-	225,-	746,-
EHW 2200, painted	B	564,-	225,-	789,-
EHW 2200, hot-dip galvanized	B	605,-	225,-	830,-
EHW 2700, painted	B	648,-	278,-	926,-
EHW 2700, hot-dip galvanized	B	717,-	278,-	995,-
EHW 3300, painted	B	1002,-	380,-	1382,-
EHW 3300, hot-dip galvanized	B	1076,-	380,-	1456,-
EHW 3600, painted	B	1050,-	380,-	1430,-
EHW 3600, hot-dip galvanized	B	1131,-	380,-	1511,-

Drum Pallet Type FP	Category	Price	Freight charges	Price including freight charges
FP 2, hot-dip galvanized	B	92,-	141,-	233,-

Drum Shelf Type FR	Category	Price	Freight charges	Price including freight charges
FR-1, hot-dip galvanized	B	293,-	141,-	434,-
Can Stand Type GS, hot-dip galvanized	B	65,-	18,-	83,-
Clip-on Rotating Support, galvanized	B	85,-	10,-	95,-
FR-2, hot-dip galvanized	B	375,-	141,-	516,-
Can Stand Type GS, hot-dip galvanized	B	65,-	18,-	83,-
Clip-on Rotating Support, galvanized	B	85,-	10,-	95,-
FR-3, hot-dip galvanized	B	419,-	141,-	560,-
Can Stand Type GS, hot-dip galvanized	B	65,-	18,-	83,-
Rotating Support RA 60, hot-dip galvanized	B	97,-	9,-	106,-

Sump Tray Type FRA	Category	Price	Freight charges	Price including freight charges
FRA-1, painted	B	310,-	141,-	451,-
Grid, hot-dip galvanized	B	67,-	16,-	83,-
FRA-1, hot-dip galvanized	B	367,-	141,-	508,-
Grid, hot-dip galvanized	B	67,-	16,-	83,-
FRA-2, painted	B	322,-	141,-	463,-
Grid, hot-dip galvanized	B	132,-	24,-	156,-

Prices in EUR, valid EXW DE-46354 Südlohn, DE-38820 Halberstadt, unpacked
Freight charges valid CPT Portugal, islands and oversea territories excluded

Price List 0726 en-PT

Environment / Storage



Sump Tray Type FRA	Category	Price	Freight charges	Price including freight charges
FRA-2, hot-dip galvanized	B	378,-	141,-	519,-
Grid, hot-dip galvanized	B	132,-	24,-	156,-
FRA-3, painted	B	322,-	141,-	463,-
Grid, hot-dip galvanized	B	132,-	24,-	156,-
FRA-3, hot-dip galvanized	B	378,-	141,-	519,-
Grid, hot-dip galvanized	B	132,-	24,-	156,-

Drum Shelf Type FRE/M	Category	Price	Freight charges	Price including freight charges
FRE-1/M, hot-dip galvanized	B	225,-	21,-	246,-
Clip-on Rotating Support, galvanized	B	85,-	10,-	95,-
Can Stand Type GS, hot-dip galvanized	B	65,-	18,-	83,-
FRE-2/M, hot-dip galvanized	B	261,-	22,-	283,-
Clip-on Rotating Support, galvanized	B	85,-	10,-	95,-
Can Stand Type GS, hot-dip galvanized	B	65,-	18,-	83,-
FRE-3/M, hot-dip galvanized	B	279,-	27,-	306,-
Rotating Support RA 60, hot-dip galvanized	B	97,-	9,-	106,-
Can Stand Type GS, hot-dip galvanized	B	65,-	18,-	83,-

Can Shelf Type FRE-G/M	Category	Price	Freight charges	Price including freight charges
FRE-G1/M, hot-dip galvanized	B	236,-	27,-	263,-
FRE-G2/M, hot-dip galvanized	B	274,-	32,-	306,-

Can Shelf for Small Cans Type FRG	Category	Price	Freight charges	Price including freight charges
FRG, hot-dip galvanized	B	381,-	141,-	522,-

Drum Stacking Pallet Type FSP-D	Category	Price	Freight charges	Price including freight charges
FSP-1 D, lackiert	B	845,-	225,-	1070,-
FSP-1 D, hot-dip galvanized	B	1106,-	225,-	1331,-
FSP-2 D, lackiert	B	901,-	225,-	1126,-
FSP-2 D, hot-dip galvanized	B	1222,-	225,-	1447,-
FSP-4 D, lackiert	B	1170,-	225,-	1395,-
FSP-4 D, hot-dip galvanized	B	1615,-	225,-	1840,-

Drum Stacking Pallet Type FSP-G	Category	Price	Freight charges	Price including freight charges
FSP-1 G, lackiert	B	821,-	225,-	1046,-
FSP-1 G, hot-dip galvanized	B	1089,-	225,-	1314,-
FSP-2 G, painted	B	879,-	225,-	1104,-
FSP-2 G, hot-dip galvanized	B	1197,-	225,-	1422,-
FSP-4 G, painted	B	1148,-	327,-	1475,-
FSP-4 G, hot-dip galvanized	B	1587,-	327,-	1914,-

Drum Stacking Pallet Type FSP	Category	Price	Freight charges	Price including freight charges
FSP-1, painted	B	484,-	141,-	625,-
FSP-1, hot-dip galvanized	B	727,-	225,-	952,-
FSP-2, painted	B	655,-	225,-	880,-

Prices in EUR, valid EXW DE-46354 Südlohn, DE-38820 Halberstadt, unpacked
 Freight charges valid CPT Portugal, islands and oversea territories excluded

Price List 0726 en-PT

Environment / Storage



Drum Stacking Pallet Type FSP	Category	Price	Freight charges	Price including freight charges
FSP-2, hot-dip galvanized	B	913,-	225,-	1138,-
FSP-4, painted	B	746,-	225,-	971,-
FSP-4, hot-dip galvanized	B	1151,-	225,-	1376,-

Hazardous Materials Depot Type GD-A	Category	Price	Freight charges	Price including freight charges
GD-A, painted	C	762,-	225,-	987,-
Drum Support FA 60-1, hot-dip galvanized	B	109,-	15,-	124,-
Drum Support FA 60-2, hot-dip galvanized	B	118,-	18,-	136,-
Drum Support FA 60-3, hot-dip galvanized	B	138,-	21,-	159,-
Can Shelf Type GR-A, galvanized	B	138,-	60,-	198,-
Can Shelf Type GR-B, galvanized	B	138,-	60,-	198,-
Can Shelf Type GR-C, galvanized	B	138,-	60,-	198,-
GD-A, hot-dip galvanized	C	960,-	225,-	1185,-
Drum Support FA 60-1, hot-dip galvanized	B	109,-	15,-	124,-
Drum Support FA 60-2, hot-dip galvanized	B	118,-	18,-	136,-
Drum Support FA 60-3, hot-dip galvanized	B	138,-	21,-	159,-
Can Shelf Type GR-A, galvanized	B	138,-	60,-	198,-
Can Shelf Type GR-B, galvanized	B	138,-	60,-	198,-
Can Shelf Type GR-C, galvanized	B	138,-	60,-	198,-

Hazardous Materials Depot Type GD-B	Category	Price	Freight charges	Price including freight charges
GD-B, painted	C	1363,-	225,-	1588,-
Drum Support FA 60-1, hot-dip galvanized	B	109,-	15,-	124,-
Drum Support FA 60-2, hot-dip galvanized	B	118,-	18,-	136,-
Drum Support FA 60-3, hot-dip galvanized	B	138,-	21,-	159,-
Can Shelf Type GR-A, galvanized	B	138,-	60,-	198,-
Can Shelf Type GR-B, galvanized	B	138,-	60,-	198,-
Can Shelf Type GR-C, galvanized	B	138,-	60,-	198,-
GD-B, hot-dip galvanized	C	1625,-	225,-	1850,-
Drum Support FA 60-1, hot-dip galvanized	B	109,-	15,-	124,-
Drum Support FA 60-2, hot-dip galvanized	B	118,-	18,-	136,-
Drum Support FA 60-3, hot-dip galvanized	B	138,-	21,-	159,-
Can Shelf Type GR-A, galvanized	B	138,-	60,-	198,-
Can Shelf Type GR-B, galvanized	B	138,-	60,-	198,-
Can Shelf Type GR-C, galvanized	B	138,-	60,-	198,-

Hazardous Materials Depot Type GD-C	Category	Price	Freight charges	Price including freight charges
GD-C, painted	C	1163,-	225,-	1388,-
Drum Support FA 60-1, hot-dip galvanized	B	109,-	15,-	124,-
Drum Support FA 60-2, hot-dip galvanized	B	118,-	18,-	136,-
Drum Support FA 60-3, hot-dip galvanized	B	138,-	21,-	159,-
Can Shelf Type GR-A, galvanized	B	138,-	60,-	198,-
Can Shelf Type GR-B, galvanized	B	138,-	60,-	198,-
Can Shelf Type GR-C, galvanized	B	138,-	60,-	198,-
GD-C, hot-dip galvanized	C	1314,-	225,-	1539,-

Prices in EUR, valid EXW DE-46354 Südlohn, DE-38820 Halberstadt, unpacked
 Freight charges valid CPT Portugal, islands and oversea territories excluded

Price List 0726 en-PT

Environment / Storage



Hazardous Materials Depot Type GD-C	Category	Price	Freight charges	Price including freight charges
Drum Support FA 60-1, hot-dip galvanized	B	109,—	15,—	124,—
Drum Support FA 60-2, hot-dip galvanized	B	118,—	18,—	136,—
Drum Support FA 60-3, hot-dip galvanized	B	138,—	21,—	159,—
Can Shelf Type GR-A, galvanized	B	138,—	60,—	198,—
Can Shelf Type GR-B, galvanized	B	138,—	60,—	198,—
Can Shelf Type GR-C, galvanized	B	138,—	60,—	198,—

Hazardous Materials Depot Type GD-E	Category	Price	Freight charges	Price including freight charges
GD-E 2, galvanized	C	1562,—	327,—	1889,—
Drum Support FA 60-1, hot-dip galvanized	B	109,—	15,—	124,—
Drum Support FA 60-2, hot-dip galvanized	B	118,—	18,—	136,—
Drum Support FA 60-3, hot-dip galvanized	B	138,—	21,—	159,—
Can Shelf Type GR-A, galvanized	B	138,—	60,—	198,—
Can Shelf Type GR-B, galvanized	B	138,—	60,—	198,—
Can Shelf Type GR-C, galvanized	B	138,—	60,—	198,—
GD-E 4, galvanized	C	1907,—	398,—	2305,—
Drum Support FA 60-1, hot-dip galvanized	B	109,—	15,—	124,—
Drum Support FA 60-2, hot-dip galvanized	B	118,—	18,—	136,—
Drum Support FA 60-3, hot-dip galvanized	B	138,—	21,—	159,—
Can Shelf Type GR-A, galvanized	B	138,—	60,—	198,—
Can Shelf Type GR-B, galvanized	B	138,—	60,—	198,—
Can Shelf Type GR-C, galvanized	B	138,—	60,—	198,—

Hazardous Materials Depot Type GD-E/IBC	Category	Price	Freight charges	Price including freight charges
GD-E/IBC, galvanized	C	2367,—	1120,—	3487,—
GD-E/IBC-2, galvanized	C	3552,—	426,—	3978,—

Hazardous Materials Depot Type GD-N	Category	Price	Freight charges	Price including freight charges
GD-N 2, galvanized	C	1362,—	327,—	1689,—
Intermediate Storage Level, hot-dip galvanized	C	106,—	18,—	124,—
Drum Support FA 60-1, hot-dip galvanized	B	109,—	15,—	124,—
Can Shelf Type GR-A, galvanized	B	138,—	60,—	198,—
Can Shelf Type GR-B, galvanized	B	138,—	60,—	198,—
Can Shelf Type GR-C, galvanized	B	138,—	60,—	198,—
GD-N 4, galvanized	C	1697,—	327,—	2024,—
Intermediate Storage Level, hot-dip galvanized	C	106,—	18,—	124,—
Drum Support FA 60-1, hot-dip galvanized	B	109,—	15,—	124,—
Drum Support FA 60-2, hot-dip galvanized	B	118,—	18,—	136,—
Drum Support FA 200-1, hot-dip galvanized	B	118,—	15,—	133,—
Drum Support FA 200-2, hot-dip galvanized	B	138,—	22,—	160,—
Can Shelf Type GR-A, galvanized	B	138,—	60,—	198,—
Can Shelf Type GR-B, galvanized	B	138,—	60,—	198,—
Can Shelf Type GR-C, galvanized	B	138,—	60,—	198,—

Prices in EUR, valid EXW DE-46354 Südlohn, DE-38820 Halberstadt, unpacked
Freight charges valid CPT Portugal, islands and oversea territories excluded

Price List 0726 en-PT

Environment / Storage



Hazardous Materials DepotType GD-N/R	Category	Price	Freight charges	Price including freight charges
GD-N/R 2, galvanized	C	1562,-	327,-	1889,-
Intermediate Storage Level, hot-dip galvanized	C	106,-	18,-	124,-
Drum Support FA 60-1, hot-dip galvanized	B	109,-	15,-	124,-
Can Shelf Type GR-A, galvanized	B	138,-	60,-	198,-
Can Shelf Type GR-B, galvanized	B	138,-	60,-	198,-
Can Shelf Type GR-C, galvanized	B	138,-	60,-	198,-
GD-N/R 4, galvanized	C	1901,-	327,-	2228,-
Intermediate Storage Level, hot-dip galvanized	C	106,-	18,-	124,-
Drum Support FA 60-1, hot-dip galvanized	B	109,-	15,-	124,-
Drum Support FA 60-2, hot-dip galvanized	B	118,-	18,-	136,-
Drum Support FA 200-1, hot-dip galvanized	B	118,-	15,-	133,-
Drum Support FA 200-2, hot-dip galvanized	B	138,-	22,-	160,-
Can Shelf Type GR-A, galvanized	B	138,-	60,-	198,-
Can Shelf Type GR-B, galvanized	B	138,-	60,-	198,-
Can Shelf Type GR-C, galvanized	B	138,-	60,-	198,-

Gas Cylinder Containers Type GFC-B	Category	Price	Freight charges	Price including freight charges
GFC-B M0, painted	B	3406,-	1120,-	4526,-
Fixture with Safety Chain to Secure Gas Cylinders, hot-dip galvanized	B	72,-	12,-	84,-
Rack for Gas Cylinders GFG-2, galvanized	B	204,-	141,-	345,-
GFC-B M1, painted	B	3949,-	1346,-	5295,-
Fixture with Safety Chain to Secure Gas Cylinders, hot-dip galvanized	B	72,-	12,-	84,-
Rack for Gas Cylinders GFG-2, galvanized	B	204,-	141,-	345,-
GFC-B M2, painted	B	4114,-	1346,-	5460,-
Fixture with Safety Chain to Secure Gas Cylinders, hot-dip galvanized	B	72,-	12,-	84,-
Rack for Gas Cylinders GFG-2, galvanized	B	204,-	141,-	345,-
GFC-B M3, painted	B	4761,-	1346,-	6107,-
Fixture with Safety Chain to Secure Gas Cylinders, hot-dip galvanized	B	72,-	12,-	84,-
Rack for Gas Cylinders GFG-2, galvanized	B	204,-	141,-	345,-
GFC-B M4, painted	B	5355,-	1529,-	6884,-
Fixture with Safety Chain to Secure Gas Cylinders, hot-dip galvanized	B	72,-	12,-	84,-
Rack for Gas Cylinders GFG-2, galvanized	B	204,-	141,-	345,-
GFC-B M5, painted	B	7439,-	1529,-	8968,-
Fixture with Safety Chain to Secure Gas Cylinders, hot-dip galvanized	B	72,-	12,-	84,-
Rack for Gas Cylinders GFG-2, galvanized	B	204,-	141,-	345,-

Gas Cylinder Containers Type GFC-B/W	Category	Price	Freight charges	Price including freight charges
GFC-B/W M1, painted	B	4216,-	1346,-	5562,-
Fixture with Safety Chain to Secure Gas Cylinders, hot-dip galvanized	B	72,-	12,-	84,-
GFC-B/W M2, painted	B	4421,-	1346,-	5767,-
Fixture with Safety Chain to Secure Gas Cylinders, hot-dip galvanized	B	72,-	12,-	84,-
GFC-B/W M3, painted	B	5076,-	1346,-	6422,-
Fixture with Safety Chain to Secure Gas Cylinders, hot-dip galvanized	B	72,-	12,-	84,-
Rack for Gas Cylinders GFG-2, galvanized	B	204,-	141,-	345,-
GFC-B/W M4, painted	B	5675,-	1529,-	7204,-

Prices in EUR, valid EXW DE-46354 Südlohn, DE-38820 Halberstadt, unpacked
Freight charges valid CPT Portugal, islands and oversea territories excluded

Price List 0726 en-PT

Environment / Storage



Gas Cylinder Containers Type GFC-B/W	Category	Price	Freight charges	Price including freight charges
Fixture with Safety Chain to Secure Gas Cylinders, hot-dip galvanized	B	72,-	12,-	84,-
Rack for Gas Cylinders GFG-2, galvanized	B	204,-	141,-	345,-
GFC-B/W M5, painted	B	7844,-	1529,-	9373,-
Fixture with Safety Chain to Secure Gas Cylinders, hot-dip galvanized	B	72,-	12,-	84,-
Rack for Gas Cylinders GFG-2, galvanized	B	204,-	141,-	345,-

Gas Cylinder Containers Type GFC-E/G	Category	Price	Freight charges	Price including freight charges
GFC-E/G M0, hot-dip galvanized	B	1540,-	327,-	1867,-
Fixture with Safety Chain to Secure Gas Cylinders, hot-dip galvanized	B	40,-	12,-	52,-
Rack for Gas Cylinders GFG-2, galvanized	B	204,-	141,-	345,-
Access Ramp Type AR, galvanized	B	163,-	22,-	185,-
GFC-E/G M1, hot-dip galvanized	B	2191,-	1346,-	3537,-
Fixture with Safety Chain to Secure Gas Cylinders, hot-dip galvanized	B	40,-	12,-	52,-
Rack for Gas Cylinders GFG-2, galvanized	B	204,-	141,-	345,-
Access Ramp Type AR, galvanized	B	163,-	22,-	185,-
Central Dividing Wall, galvanized	B	87,-	22,-	109,-
GFC-E/G M2, hot-dip galvanized	B	2401,-	1346,-	3747,-
Fixture with Safety Chain to Secure Gas Cylinders, hot-dip galvanized	B	40,-	12,-	52,-
Rack for Gas Cylinders GFG-2, galvanized	B	204,-	141,-	345,-
Access Ramp Type AR, galvanized	B	163,-	22,-	185,-
Central Dividing Wall, galvanized	B	129,-	32,-	161,-
GFC-E/G M3, hot-dip galvanized	B	2671,-	1346,-	4017,-
Fixture with Safety Chain to Secure Gas Cylinders, hot-dip galvanized	B	40,-	12,-	52,-
Rack for Gas Cylinders GFG-2, galvanized	B	204,-	141,-	345,-
Access Ramp Type AR, galvanized	B	163,-	22,-	185,-
Central Dividing Wall, galvanized	B	129,-	32,-	161,-
GFC-E/G M4, hot-dip galvanized	B	2895,-	1529,-	4424,-
Fixture with Safety Chain to Secure Gas Cylinders, hot-dip galvanized	B	40,-	12,-	52,-
Rack for Gas Cylinders GFG-2, galvanized	B	204,-	141,-	345,-
Access Ramp Type AR, galvanized	B	163,-	22,-	185,-
Central Dividing Wall, galvanized	B	129,-	32,-	161,-
GFC-E/G M5, hot-dip galvanized	B	3587,-	1529,-	5116,-
Fixture with Safety Chain to Secure Gas Cylinders, hot-dip galvanized	B	40,-	12,-	52,-
Rack for Gas Cylinders GFG-2, galvanized	B	204,-	141,-	345,-
Access Ramp Type AR, galvanized	B	163,-	22,-	185,-
Central Dividing Wall, galvanized	B	191,-	40,-	231,-

Gas Cylinder Containers Type GFC-E/T	Category	Price	Freight charges	Price including freight charges
GFC-E/T M0, hot-dip galvanized	B	1560,-	327,-	1887,-
Fixture with Safety Chain to Secure Gas Cylinders, hot-dip galvanized	B	40,-	12,-	52,-
Rack for Gas Cylinders GFG-2, galvanized	B	204,-	141,-	345,-
Access Ramp Type AR, galvanized	B	163,-	22,-	185,-
GFC-E/T M1, hot-dip galvanized	B	2229,-	1346,-	3575,-
Fixture with Safety Chain to Secure Gas Cylinders, hot-dip galvanized	B	40,-	12,-	52,-
Rack for Gas Cylinders GFG-2, galvanized	B	204,-	141,-	345,-

Prices in EUR, valid EXW DE-46354 Südlohn, DE-38820 Halberstadt, unpacked
Freight charges valid CPT Portugal, islands and oversea territories excluded

Price List 0726 en-PT

Environment / Storage



Gas Cylinder Containers Type GFC-E/T	Category	Price	Freight charges	Price including freight charges
Access Ramp Type AR, galvanized	B	163,-	22,-	185,-
Central Dividing Wall, galvanized	B	87,-	22,-	109,-
GFC-E/T M2, hot-dip galvanized	B	2448,-	1346,-	3794,-
Fixture with Safety Chain to Secure Gas Cylinders, hot-dip galvanized	B	40,-	12,-	52,-
Rack for Gas Cylinders GFG-2, galvanized	B	204,-	141,-	345,-
Access Ramp Type AR, galvanized	B	163,-	22,-	185,-
Central Dividing Wall, galvanized	B	129,-	32,-	161,-
GFC-E/T M3, hot-dip galvanized	B	2737,-	1346,-	4083,-
Fixture with Safety Chain to Secure Gas Cylinders, hot-dip galvanized	B	40,-	12,-	52,-
Rack for Gas Cylinders GFG-2, galvanized	B	204,-	141,-	345,-
Access Ramp Type AR, galvanized	B	163,-	22,-	185,-
Central Dividing Wall, galvanized	B	129,-	32,-	161,-
GFC-E/T M4, hot-dip galvanized	B	2960,-	1529,-	4489,-
Fixture with Safety Chain to Secure Gas Cylinders, hot-dip galvanized	B	40,-	12,-	52,-
Rack for Gas Cylinders GFG-2, galvanized	B	204,-	141,-	345,-
Access Ramp Type AR, galvanized	B	163,-	22,-	185,-
Central Dividing Wall, galvanized	B	129,-	32,-	161,-
GFC-E/T M5, hot-dip galvanized	B	3678,-	1529,-	5207,-
Fixture with Safety Chain to Secure Gas Cylinders, hot-dip galvanized	B	40,-	12,-	52,-
Rack for Gas Cylinders GFG-2, galvanized	B	204,-	141,-	345,-
Access Ramp Type AR, galvanized	B	163,-	22,-	185,-
Central Dividing Wall, galvanized	B	191,-	40,-	231,-

Gas Cylinder Containers Type GFC-M/D	Category	Price	Freight charges	Price including freight charges
GFC-M0/D, hot-dip galvanized	B	1028,-	225,-	1253,-
Grid Floor, hot-dip galvanized	B	152,-	72,-	224,-
Fixture with Safety Chain to Secure Gas Cylinders, hot-dip galvanized	B	40,-	12,-	52,-
Rack for Gas Cylinders GFG-2, galvanized	B	204,-	141,-	345,-
GFC-M1/D, hot-dip galvanized	B	1247,-	327,-	1574,-
Grid Floor, hot-dip galvanized	B	274,-	141,-	415,-
Fixture with Safety Chain to Secure Gas Cylinders, hot-dip galvanized	B	40,-	12,-	52,-
Rack for Gas Cylinders GFG-2, galvanized	B	204,-	141,-	345,-
GFC-M2/D, hot-dip galvanized	B	1327,-	327,-	1654,-
Grid Floor, hot-dip galvanized	B	375,-	141,-	516,-
Fixture with Safety Chain to Secure Gas Cylinders, hot-dip galvanized	B	40,-	12,-	52,-
Rack for Gas Cylinders GFG-2, galvanized	B	204,-	141,-	345,-
GFC-M3/D, hot-dip galvanized	B	1498,-	327,-	1825,-
Grid Floor, hot-dip galvanized	B	510,-	225,-	735,-
Fixture with Safety Chain to Secure Gas Cylinders, hot-dip galvanized	B	40,-	12,-	52,-
Rack for Gas Cylinders GFG-2, galvanized	B	204,-	141,-	345,-
GFC-M4/D, hot-dip galvanized	B	1601,-	327,-	1928,-
Grid Floor, hot-dip galvanized	B	627,-	225,-	852,-
Fixture with Safety Chain to Secure Gas Cylinders, hot-dip galvanized	B	40,-	12,-	52,-
Rack for Gas Cylinders GFG-2, galvanized	B	204,-	141,-	345,-
GFC-M5/D, hot-dip galvanized	B	1903,-	398,-	2301,-
Grid Floor, hot-dip galvanized	B	765,-	225,-	990,-

Prices in EUR, valid EXW DE-46354 Südlohn, DE-38820 Halberstadt, unpacked
Freight charges valid CPT Portugal, islands and oversea territories excluded

Price List 0726 en-PT

Environment / Storage



Gas Cylinder Containers Type GFC-M/D	Category	Price	Freight charges	Price including freight charges
Fixture with Safety Chain to Secure Gas Cylinders, hot-dip galvanized	B	40,-	12,-	52,-
Rack for Gas Cylinders GFG-2, galvanized	B	204,-	141,-	345,-

Gas Cylinder Containers Type GFC-M	Category	Price	Freight charges	Price including freight charges
GFC-M1, hot-dip galvanized	B	1101,-	225,-	1326,-
Grid Floor, hot-dip galvanized	B	274,-	141,-	415,-
Fixture with Safety Chain to Secure Gas Cylinders, hot-dip galvanized	B	40,-	12,-	52,-
Rack for Gas Cylinders GFG-2, galvanized	B	204,-	141,-	345,-
GFC-M2, hot-dip galvanized	B	1169,-	327,-	1496,-
Grid Floor, hot-dip galvanized	B	375,-	141,-	516,-
Fixture with Safety Chain to Secure Gas Cylinders, hot-dip galvanized	B	40,-	12,-	52,-
Rack for Gas Cylinders GFG-2, galvanized	B	204,-	141,-	345,-
GFC-M3, hot-dip galvanized	B	1312,-	327,-	1639,-
Grid Floor, hot-dip galvanized	B	510,-	225,-	735,-
Fixture with Safety Chain to Secure Gas Cylinders, hot-dip galvanized	B	40,-	12,-	52,-
Rack for Gas Cylinders GFG-2, galvanized	B	204,-	141,-	345,-
GFC-M4, hot-dip galvanized	B	1380,-	327,-	1707,-
Grid Floor, hot-dip galvanized	B	627,-	225,-	852,-
Fixture with Safety Chain to Secure Gas Cylinders, hot-dip galvanized	B	40,-	12,-	52,-
Rack for Gas Cylinders GFG-2, galvanized	B	204,-	141,-	345,-
GFC-M5, hot-dip galvanized	B	1602,-	327,-	1929,-
Grid Floor, hot-dip galvanized	B	765,-	225,-	990,-
Fixture with Safety Chain to Secure Gas Cylinders, hot-dip galvanized	B	40,-	12,-	52,-
Rack for Gas Cylinders GFG-2, galvanized	B	204,-	141,-	345,-

Gas Cylinder Containers Type GFC-M/D-DF	Category	Price	Freight charges	Price including freight charges
GFC-M1/D-DF, hot-dip galvanized	B	1424,-	327,-	1751,-
Grid Floor, hot-dip galvanized	B	274,-	141,-	415,-
Fixture with Safety Chain to Secure Gas Cylinders, hot-dip galvanized	B	40,-	12,-	52,-
Rack for Gas Cylinders GFG-2, galvanized	B	204,-	141,-	345,-
GFC-M2/D-DF, hot-dip galvanized	B	1503,-	327,-	1830,-
Grid Floor, hot-dip galvanized	B	375,-	141,-	516,-
Fixture with Safety Chain to Secure Gas Cylinders, hot-dip galvanized	B	40,-	12,-	52,-
Rack for Gas Cylinders GFG-2, galvanized	B	204,-	141,-	345,-
GFC-M3/D-DF, hot-dip galvanized	B	1675,-	327,-	2002,-
Grid Floor, hot-dip galvanized	B	510,-	225,-	735,-
Fixture with Safety Chain to Secure Gas Cylinders, hot-dip galvanized	B	40,-	12,-	52,-
Rack for Gas Cylinders GFG-2, galvanized	B	204,-	141,-	345,-
GFC-M4/D-DF, hot-dip galvanized	B	1810,-	398,-	2208,-
Grid Floor, hot-dip galvanized	B	627,-	225,-	852,-
Fixture with Safety Chain to Secure Gas Cylinders, hot-dip galvanized	B	40,-	12,-	52,-
Rack for Gas Cylinders GFG-2, galvanized	B	204,-	141,-	345,-
GFC-M5/D-DF, hot-dip galvanized	B	2112,-	398,-	2510,-
Grid Floor, hot-dip galvanized	B	765,-	225,-	990,-
Fixture with Safety Chain to Secure Gas Cylinders, hot-dip galvanized	B	40,-	12,-	52,-

Prices in EUR, valid EXW DE-46354 Südlohn, DE-38820 Halberstadt, unpacked
Freight charges valid CPT Portugal, islands and oversea territories excluded

Price List 0726 en-PT

Environment / Storage



Gas Cylinder Containers Type GFC-M/D-DF	Category	Price	Freight charges	Price including freight charges
Rack for Gas Cylinders GFG-2, galvanized	B	204,-	141,-	345,-
GFC-M6/D-DF, hot-dip galvanized	B	2775,-	567,-	3342,-
Fixture with Safety Chain to Secure Gas Cylinders, hot-dip galvanized	B	40,-	12,-	52,-
Rack for Gas Cylinders GFG-2, galvanized	B	204,-	141,-	345,-
Gas Cylinder Containers Type GFC-M-DF	Category	Price	Freight charges	Price including freight charges
GFC-M1-DF, hot-dip galvanized	B	1276,-	225,-	1501,-
Grid Floor, hot-dip galvanized	B	274,-	141,-	415,-
Fixture with Safety Chain to Secure Gas Cylinders, hot-dip galvanized	B	40,-	12,-	52,-
Rack for Gas Cylinders GFG-2, galvanized	B	204,-	141,-	345,-
GFC-M2-DF, hot-dip galvanized	B	1346,-	327,-	1673,-
Grid Floor, hot-dip galvanized	B	375,-	141,-	516,-
Fixture with Safety Chain to Secure Gas Cylinders, hot-dip galvanized	B	40,-	12,-	52,-
Rack for Gas Cylinders GFG-2, galvanized	B	204,-	141,-	345,-
GFC-M3-DF, hot-dip galvanized	B	1490,-	327,-	1817,-
Grid Floor, hot-dip galvanized	B	510,-	225,-	735,-
Fixture with Safety Chain to Secure Gas Cylinders, hot-dip galvanized	B	40,-	12,-	52,-
Rack for Gas Cylinders GFG-2, galvanized	B	204,-	141,-	345,-
GFC-M4-DF, hot-dip galvanized	B	1591,-	327,-	1918,-
Grid Floor, hot-dip galvanized	B	627,-	225,-	852,-
Fixture with Safety Chain to Secure Gas Cylinders, hot-dip galvanized	B	40,-	12,-	52,-
Rack for Gas Cylinders GFG-2, galvanized	B	204,-	141,-	345,-
GFC-M5-DF, hot-dip galvanized	B	1812,-	398,-	2210,-
Grid Floor, hot-dip galvanized	B	765,-	225,-	990,-
Fixture with Safety Chain to Secure Gas Cylinders, hot-dip galvanized	B	40,-	12,-	52,-
Rack for Gas Cylinders GFG-2, galvanized	B	204,-	141,-	345,-
Gas Cylinder Depot Type GFD-G	Category	Price	Freight charges	Price including freight charges
GFD-G 1, galvanized	B	429,-	225,-	654,-
GFD-G 2, galvanized	B	790,-	225,-	1015,-
Gas Cylinder Depot Type GFD-L	Category	Price	Freight charges	Price including freight charges
GFD-L 1, galvanized	B	462,-	141,-	603,-
GFD-L 2, galvanized	B	880,-	225,-	1105,-
Gas Cylinder Depot Type GFD-R	Category	Price	Freight charges	Price including freight charges
GFD-R 2, painted	B	774,-	141,-	915,-
GFD-R 2, hot-dip galvanized	B	798,-	141,-	939,-
GFD-R 4, painted	B	879,-	141,-	1020,-
GFD-R 4, hot-dip galvanized	B	909,-	141,-	1050,-
Hazardous Materials Cabinet Type GS	Category	Price	Freight charges	Price including freight charges
GS-1, painted	B	789,-	225,-	1014,-
Intermediate Storage Level, galvanized	B	90,-	14,-	104,-
GS-1, hot-dip galvanized	B	849,-	225,-	1074,-

Prices in EUR, valid EXW DE-46354 Südlohn, DE-38820 Halberstadt, unpacked
Freight charges valid CPT Portugal, islands and oversea territories excluded

Price List 0726 en-PT

Environment / Storage



Hazardous Materials Cabinet Type GS	Category	Price	Freight charges	Price including freight charges
Intermediate Storage Level, galvanized	B	90,-	14,-	104,-
GS-2, painted	B	1049,-	327,-	1376,-
Intermediate Storage Level, galvanized	B	90,-	14,-	104,-
GS-2, hot-dip galvanized	B	1139,-	327,-	1466,-
Intermediate Storage Level, galvanized	B	90,-	14,-	104,-
GS-3, painted	B	2143,-	398,-	2541,-
GS-3, hot-dip galvanized	B	2295,-	398,-	2693,-
GS-4, painted	B	2154,-	1120,-	3274,-
GS-4, hot-dip galvanized	B	2340,-	1120,-	3460,-

Gas Cylinder Wall Bracket Type GWH	Category	Price	Freight charges	Price including freight charges
GWH 140-I, hot-dip galvanized	F	26,-	60,-	86,-
GWH 140-II, hot-dip galvanized	F	40,-	60,-	100,-
GWH 140-III, hot-dip galvanized	F	59,-	60,-	119,-
GWH 230-I, hot-dip galvanized	F	28,-	60,-	88,-
GWH 230-II, hot-dip galvanized	F	43,-	60,-	103,-
GWH 230-III, hot-dip galvanized	F	65,-	60,-	125,-
GWH 320-I, hot-dip galvanized	F	29,-	60,-	89,-
GWH 320-II, hot-dip galvanized	F	48,-	60,-	108,-
GWH 320-III, hot-dip galvanized	F	72,-	60,-	132,-

Tilting Canister Stand Type KAH	Category	Price	Freight charges	Price including freight charges
KAH-5, galvanized	A	96,-	60,-	156,-
KAH-25, galvanized	A	109,-	60,-	169,-
KAH-60, galvanized	A	140,-	60,-	200,-

Spill Tray for Canisters/Small Cans Type KGW	Category	Price	Freight charges	Price including freight charges
KGW 1, galvanized	B	92,-	60,-	152,-
KGW 1 V4A, stainless steel 1.4571	B	280,-	60,-	340,-
KGW 2, galvanized	B	96,-	60,-	156,-
KGW 2 V4A, stainless steel 1.4571	B	322,-	60,-	382,-
KGW 3, galvanized	B	100,-	60,-	160,-
KGW 3 V4A, stainless steel 1.4571	B	400,-	60,-	460,-
KGW 4, galvanized	B	117,-	141,-	258,-
KGW 4 V4A, stainless steel 1.4571	B	472,-	141,-	613,-
KGW 5, galvanized	B	161,-	141,-	302,-
KGW 5 V4A, stainless steel 1.4571	B	614,-	141,-	755,-

Spill Tray for Canisters/Small Cans Type KGW/M	Category	Price	Freight charges	Price including freight charges
KGW 1/M, galvanized	B	129,-	60,-	189,-
KGW 1/M V4A, stainless steel 1.4571	B	421,-	60,-	481,-
KGW 2/M, galvanized	B	137,-	60,-	197,-
KGW 2/M V4A, stainless steel 1.4571	B	485,-	60,-	545,-
KGW 3/M, galvanized	B	157,-	60,-	217,-
KGW 3/M V4A, stainless steel 1.4571	B	610,-	60,-	670,-

Prices in EUR, valid EXW DE-46354 Südlohn, DE-38820 Halberstadt, unpacked
Freight charges valid CPT Portugal, islands and oversea territories excluded

Price List 0726 en-PT

Environment / Storage



Spill Tray for Canisters/Small Cans Type KGW/M	Category	Price	Freight charges	Price including freight charges
KGW 4/M, galvanized	B	182,-	141,-	323,-
KGW 4/M V4A, stainless steel 1.4571	B	730,-	141,-	871,-
KGW 5/M, galvanized	B	235,-	141,-	376,-
KGW 5/M V4A, stainless steel 1.4571	B	962,-	141,-	1103,-

Spill Tray for Canisters/Small Cans on Pallets Type KGW-P	Category	Price	Freight charges	Price including freight charges
KGW-P 1, galvanized	B	98,-	60,-	158,-
KGW-P 1 V4A, stainless steel 1.4571	B	276,-	60,-	336,-
KGW-P 2, galvanized	B	147,-	60,-	207,-
KGW-P 2 V4A, stainless steel 1.4571	B	396,-	60,-	456,-
KGW-P 3, galvanized	B	185,-	141,-	326,-
KGW-P 3 V4A, stainless steel 1.4571	B	607,-	60,-	667,-
KGW-P 4, galvanized	B	175,-	60,-	235,-
KGW-P 4 V4A, stainless steel 1.4571	B	466,-	60,-	526,-

Spill Tray for Canisters/Small Cans on Pallets Type KGW-P/M	Category	Price	Freight charges	Price including freight charges
KGW-P 1/M, galvanized	B	142,-	60,-	202,-
KGW-P 1/M V4A, stainless steel 1.4571	B	399,-	60,-	459,-
KGW-P 2/M, galvanized	B	218,-	60,-	278,-
KGW-P 2/M V4A, stainless steel 1.4571	B	579,-	60,-	639,-
KGW-P 3/M, galvanized	B	265,-	141,-	406,-
KGW-P 3/M V4A, stainless steel 1.4571	B	895,-	141,-	1036,-
KGW-P 4/M, galvanized	B	250,-	141,-	391,-
KGW-P 4/M V4A, stainless steel 1.4571	B	719,-	60,-	779,-

Diesel Filling Point Type KPS	Category	Price	Freight charges	Price including freight charges
KPS 1, painted	B	2966,-	on request	on request
KPS 2, painted	B	3854,-	on request	on request
KPS 3, painted	B	5432,-	on request	on request

Polyethylene Sump Tray for Pallets Type KWP-P	Category	Price	Freight charges	Price including freight charges
KWP-P 20, made of robust polyethylene	B	48,-	60,-	108,-
Deck with Punched Holes LR-PE 20, robust polyethylene, black	B	64,-	14,-	78,-
KWP-P 30, made of robust polyethylene	B	58,-	60,-	118,-
Deck with Punched Holes LR-PE 30, robust polyethylene, black	B	66,-	14,-	80,-
KWP-P 40, made of robust polyethylene	B	65,-	60,-	125,-
Deck with Punched Holes LR-PE 40, robust polyethylene, black	B	70,-	14,-	84,-
KWP-P 60, made of robust polyethylene	B	103,-	60,-	163,-
Deck with punched holes LR-PE 60, robust polyethylene, black	B	73,-	14,-	87,-
KWP-P 100, made of robust polyethylene	B	117,-	141,-	258,-
Deck with punched holes LR-PE 100, robust polyethylene, black	B	90,-	16,-	106,-

Mobile Sump Tray with Perforated Panel Type LPW	Category	Price	Freight charges	Price including freight charges
LPW 60-1, painted	B	627,-	141,-	768,-
Tool Deposit	B	32,-	16,-	48,-

Prices in EUR, valid EXW DE-46354 Südlohn, DE-38820 Halberstadt, unpacked
 Freight charges valid CPT Portugal, islands and oversea territories excluded

Price List 0726 en-PT

Environment / Storage



Mobile Sump Tray with Perforated Panel Type LPW	Category	Price	Freight charges	Price including freight charges
Drip Tray	B	50,-	16,-	66,-
LPW 60-1, hot-dip galvanized	B	645,-	141,-	786,-
Tool Deposit	B	32,-	16,-	48,-
Drip Tray	B	50,-	16,-	66,-
LPW 60-2, painted	B	640,-	141,-	781,-
Tool Deposit	B	32,-	16,-	48,-
Drip Tray	B	50,-	16,-	66,-
LPW 60-2, hot-dip galvanized	B	661,-	141,-	802,-
Tool Deposit	B	32,-	16,-	48,-
Drip Tray	B	50,-	16,-	66,-
LPW 60-3, painted	B	646,-	141,-	787,-
Tool Deposit	B	32,-	16,-	48,-
Drip Tray	B	50,-	16,-	66,-
LPW 60-3, hot-dip galvanized	B	667,-	141,-	808,-
Tool Deposit	B	32,-	16,-	48,-
Drip Tray	B	50,-	16,-	66,-
LPW 200-1, painted	B	822,-	225,-	1047,-
Tool Deposit	B	32,-	16,-	48,-
Drip Tray	B	50,-	16,-	66,-
LPW 200-1, hot-dip galvanized	B	856,-	225,-	1081,-
Tool Deposit	B	32,-	16,-	48,-
Drip Tray	B	50,-	16,-	66,-
LPW 200-2, painted	B	863,-	225,-	1088,-
Tool Deposit	B	32,-	16,-	48,-
Drip Tray	B	50,-	16,-	66,-
LPW 200-2, hot-dip galvanized	B	899,-	225,-	1124,-
Tool Deposit	B	32,-	16,-	48,-
Drip Tray	B	50,-	16,-	66,-
LPW 200-3, painted	B	878,-	225,-	1103,-
Tool Deposit	B	32,-	16,-	48,-
Drip Tray	B	50,-	16,-	66,-
LPW 200-3, hot-dip galvanized	B	914,-	225,-	1139,-
Tool Deposit	B	32,-	16,-	48,-
Drip Tray	B	50,-	16,-	66,-
LPW 200-4, painted	B	1055,-	225,-	1280,-
LPW 200-4, hot-dip galvanized	B	1086,-	225,-	1311,-

Modular Sump Tray Type MAW	Category	Price	Freight charges	Price including freight charges
MAW, painted	B	336,-	141,-	477,-
MAW, hot-dip galvanized	B	366,-	141,-	507,-
Element No. 1: grid grate incl. supportS, painted	B	78,-	18,-	96,-
Element No. 2: galvanized handle + castors	B	138,-	19,-	157,-
Element No. 3: runners, painted	B	103,-	15,-	118,-
Element No. 3: runners, hot-dip galvanized	B	66,-	15,-	81,-
Element No. 6: surround, galvanized	B	601,-	141,-	742,-

Prices in EUR, valid EXW DE-46354 Südlohn, DE-38820 Halberstadt, unpacked
 Freight charges valid CPT Portugal, islands and oversea territories excluded

Price List 0726 en-PT

Environment / Storage



Spline Sump Type PW	Category	Price	Freight charges	Price including freight charges
PW 200-2, painted	B	245,-	141,-	386,-
PW 200-2, hot-dip galvanized	B	235,-	141,-	376,-
PW 200-4, painted	B	271,-	141,-	412,-
PW 200-4, hot-dip galvanized	B	261,-	141,-	402,-
PW 400-4, painted	B	349,-	141,-	490,-
PW 400-4, hot-dip galvanized	B	332,-	141,-	473,-

Spline Sump Type PWE	Category	Price	Freight charges	Price including freight charges
PWE 200-2, painted	B	217,-	141,-	358,-
PWE 200-2, hot-dip galvanized	B	207,-	141,-	348,-
PWE 200-4, painted	B	236,-	141,-	377,-
PWE 200-4, hot-dip galvanized	B	228,-	141,-	369,-
PWE 400-4, painted	B	288,-	141,-	429,-
PWE 400-4, hot-dip galvanized	B	278,-	141,-	419,-

Hazardous Materials Cabinet with Roller Shutter Door Type RSG	Category	Price	Freight charges	Price including freight charges
RSG-1, painted	B	1906,-	225,-	2131,-
Set of 4 Feet, height adjustable	B	80,-	9,-	89,-
RSG-2, painted	B	1920,-	225,-	2145,-
Set of 4 Feet, height adjustable	B	80,-	9,-	89,-
RSG-3, painted	B	1971,-	225,-	2196,-
Set of 4 Feet, height adjustable	B	80,-	9,-	89,-
RSG-4, painted	B	2109,-	327,-	2436,-
Set of 4 Feet, height adjustable	B	80,-	9,-	89,-

Shelf Sump with Polyethylene Inlay Type RW PE	Category	Price	Freight charges	Price including freight charges
RW 1800 PE, painted	B	1044,-	225,-	1269,-
RW 1800 PE, hot-dip galvanized	B	1100,-	225,-	1325,-
RW 2200-1 PE, painted	B	1089,-	225,-	1314,-
RW 2200-1 PE, hot-dip galvanized	B	1147,-	225,-	1372,-
RW 2200-2 PE, painted	B	1276,-	225,-	1501,-
RW 2200-2 PE, hot-dip galvanized	B	1341,-	225,-	1566,-
RW 2700-1 PE, painted	B	1108,-	278,-	1386,-
RW 2700-1 PE, hot-dip galvanized	B	1192,-	278,-	1470,-
RW 2700-2 PE, painted	B	1266,-	278,-	1544,-
RW 2700-2 PE, hot-dip galvanized	B	1365,-	278,-	1643,-
RW 2700-3 PE, painted	B	1466,-	278,-	1744,-
RW 2700-3 PE, hot-dip galvanized	B	1592,-	278,-	1870,-
RW 3300-1 PE, painted	B	1417,-	278,-	1695,-
RW 3300-1 PE, hot-dip galvanized	B	1510,-	278,-	1788,-
RW 3300-2 PE, painted	B	1535,-	278,-	1813,-
RW 3300-2 PE, hot-dip galvanized	B	1637,-	278,-	1915,-
RW 3300-3 PE, painted	B	1738,-	380,-	2118,-
RW 3300-3 PE, hot-dip galvanized	B	1850,-	380,-	2230,-

Prices in EUR, valid EXW DE-46354 Südlohn, DE-38820 Halberstadt, unpacked
Freight charges valid CPT Portugal, islands and oversea territories excluded

Price List 0726 en-PT

Environment / Storage



Shelf Sump Type RW	Category	Price	Freight charges	Price including freight charges
RW 1800, painted	B	507,-	141,-	648,-
RW 1800, hot-dip galvanized	B	561,-	141,-	702,-
RW 2200-1, painted	B	519,-	141,-	660,-
RW 2200-1, hot-dip galvanized	B	577,-	141,-	718,-
RW 2200-2, painted	B	532,-	225,-	757,-
RW 2200-2, hot-dip galvanized	B	597,-	225,-	822,-
RW 2700-1, painted	B	528,-	278,-	806,-
RW 2700-1, hot-dip galvanized	B	611,-	278,-	889,-
RW 2700-2, painted	B	607,-	278,-	885,-
RW 2700-2, hot-dip galvanized	B	706,-	278,-	984,-
RW 2700-3, painted	B	657,-	278,-	935,-
RW 2700-3, hot-dip galvanized	B	781,-	278,-	1059,-
RW 3300-1, painted	B	680,-	278,-	958,-
RW 3300-1, hot-dip galvanized	B	774,-	278,-	1052,-
RW 3300-2, painted	B	748,-	278,-	1026,-
RW 3300-2, hot-dip galvanized	B	850,-	278,-	1128,-
RW 3300-3, painted	B	834,-	278,-	1112,-
RW 3300-3, hot-dip galvanized	B	945,-	278,-	1223,-

Shelf Sump with Polyethylene Inlay Type RW-GR PE	Category	Price	Freight charges	Price including freight charges
RW-GR 1800 PE, painted	B	1178,-	225,-	1403,-
RW-GR 1800 PE, hot-dip galvanized	B	1231,-	225,-	1456,-
RW-GR 2200-1 PE, painted	B	1255,-	225,-	1480,-
RW-GR 2200-1 PE, hot-dip galvanized	B	1313,-	225,-	1538,-
RW-GR 2200-2 PE, painted	B	1443,-	327,-	1770,-
RW-GR 2200-2 PE, hot-dip galvanized	B	1505,-	327,-	1832,-
RW-GR 2700-1 PE, painted	B	1313,-	380,-	1693,-
RW-GR 2700-1 PE, hot-dip galvanized	B	1395,-	380,-	1775,-
RW-GR 2700-2 PE, painted	B	1469,-	380,-	1849,-
RW-GR 2700-2 PE, hot-dip galvanized	B	1570,-	380,-	1950,-
RW-GR 2700-3 PE, painted	B	1671,-	380,-	2051,-
RW-GR 2700-3 PE, hot-dip galvanized	B	1776,-	380,-	2156,-
RW-GR 3300-1 PE, painted	B	1790,-	380,-	2170,-
RW-GR 3300-1 PE, hot-dip galvanized	B	1882,-	380,-	2262,-
RW-GR 3300-2 PE, painted	B	1906,-	380,-	2286,-
RW-GR 3300-2 PE, hot-dip galvanized	B	2018,-	380,-	2398,-
RW-GR 3300-3 PE, painted	B	2110,-	451,-	2561,-
RW-GR 3300-3 PE, hot-dip galvanized	B	2222,-	451,-	2673,-
RW-GR 3600-3 PE, painted	B	2428,-	461,-	2889,-
RW-GR 3600-3 PE, hot-dip galvanized	B	2580,-	461,-	3041,-

Shelf Sump Type RW-GR	Category	Price	Freight charges	Price including freight charges
RW-GR 1800, painted	B	641,-	225,-	866,-
RW-GR 1800, hot-dip galvanized	B	696,-	225,-	921,-
RW-GR 2200-1, painted	B	686,-	225,-	911,-

Prices in EUR, valid EXW DE-46354 Südlohn, DE-38820 Halberstadt, unpacked
Freight charges valid CPT Portugal, islands and oversea territories excluded

Price List 0726 en-PT

Environment / Storage



Shelf Sump Type RW-GR	Category	Price	Freight charges	Price including freight charges
RW-GR 2200-1, hot-dip galvanized	B	745,-	225,-	970,-
RW-GR 2200-2, painted	B	700,-	327,-	1027,-
RW-GR 2200-2, hot-dip galvanized	B	761,-	327,-	1088,-
RW-GR 2700-1, painted	B	732,-	278,-	1010,-
RW-GR 2700-1, hot-dip galvanized	B	815,-	380,-	1195,-
RW-GR 2700-2, painted	B	811,-	380,-	1191,-
RW-GR 2700-2, hot-dip galvanized	B	911,-	380,-	1291,-
RW-GR 2700-3, painted	B	861,-	380,-	1241,-
RW-GR 2700-3, hot-dip galvanized	B	966,-	380,-	1346,-
RW-GR 3300-1, painted	B	1052,-	380,-	1432,-
RW-GR 3300-1, hot-dip galvanized	B	1146,-	380,-	1526,-
RW-GR 3300-2, painted	B	1119,-	380,-	1499,-
RW-GR 3300-2, hot-dip galvanized	B	1230,-	380,-	1610,-
RW-GR 3300-3, painted	B	1206,-	380,-	1586,-
RW-GR 3300-3, hot-dip galvanized	B	1317,-	380,-	1697,-
RW-GR 3600-3, painted	B	1330,-	380,-	1710,-
RW-GR 3600-3, hot-dip galvanized	B	1483,-	380,-	1863,-

Safety Cabinet Type SIW	Category	Price	Freight charges	Price including freight charges
SIW 1005	B	596,-	141,-	737,-
SIW 2005	B	751,-	225,-	976,-

Diesel Filling Point Type TAW	Category	Price	Freight charges	Price including freight charges
TAW 1, painted	B	2448,-	on request	on request
TAW 2, painted	B	3195,-	on request	on request
TAW 3, painted	B	4603,-	on request	on request

Environmental Shelf Type UR	Category	Price	Freight charges	Price including freight charges
UR-G 2200, painted	B	1827,-	382,-	2209,-
Grid Set, hot-dip galvanized	B	198,-	141,-	339,-
Crash Guard	B	75,-	9,-	84,-
UR-G 2700, painted	B	1968,-	382,-	2350,-
Grid Set, hot-dip galvanized	B	245,-	141,-	386,-
Crash Guard	B	75,-	9,-	84,-
UR-G 3300, painted	B	2749,-	451,-	3200,-
Grid Set, hot-dip galvanized	B	297,-	141,-	438,-
Crash Guard	B	75,-	9,-	84,-
UR-A 2200, painted	B	1395,-	382,-	1777,-
Grid Set, hot-dip galvanized	B	198,-	141,-	339,-
Crash Guard	B	75,-	9,-	84,-
UR-A 2700, painted	B	1535,-	382,-	1917,-
Grid Set, hot-dip galvanized	B	245,-	141,-	386,-
Crash Guard	B	75,-	9,-	84,-
UR-A 3300, painted	B	2317,-	451,-	2768,-
Grid Set, hot-dip galvanized	B	297,-	141,-	438,-

Prices in EUR, valid EXW DE-46354 Südlohn, DE-38820 Halberstadt, unpacked
 Freight charges valid CPT Portugal, islands and oversea territories excluded

Price List 0726 en-PT

Environment / Storage



Environmental Shelve Type UR	Category	Price	Freight charges	Price including freight charges
Crash Guard	B	75,-	9,-	84,-

Stainless Steel Sump Tray Type VAW	Category	Price	Freight charges	Price including freight charges
VAW-1, stainless steel 1.4571	B	990,-	141,-	1131,-
Grid, stainless steel 1.4571	B	494,-	14,-	508,-
Grid, hot-dip galvanized	B	71,-	14,-	85,-
VAW-2, stainless steel 1.4571	B	1079,-	141,-	1220,-
Grid, stainless steel 1.4571	B	731,-	16,-	747,-
Grid, hot-dip galvanized	B	95,-	38,-	133,-
VAW-4/A, stainless steel 1.4571	B	1236,-	141,-	1377,-
Grid, stainless steel 1.4571	B	1061,-	22,-	1083,-
Grid, hot-dip galvanized	B	124,-	22,-	146,-
VAW-4/B, stainless steel 1.4571	B	1511,-	141,-	1652,-
Grid, stainless steel 1.4571	B	1461,-	27,-	1488,-
Grid, hot-dip galvanized	B	169,-	27,-	196,-
VAW 1000 (Stainless Steel Grid), stainless steel 1.4571	B	3909,-	253,-	4162,-
VAW 1000 (Hot-dip Galvanized Grid), stainless steel 1.4571	B	2868,-	253,-	3121,-
VAW 1000-2 (Stainless Steel Grid), stainless steel 1.4571	B	5472,-	419,-	5891,-
VAW 1000-2 (Hot-dip Galvanized Grid), stainless steel 1.4571	B	3561,-	419,-	3980,-

Heating Chamber Type WK	Category	Price	Freight charges	Price including freight charges
WK 29-2 E65, painted	C	30688,-	on request	on request
WK 29-2 E85, painted	C	30859,-	on request	on request
WK 57-2 E65, painted	C	43080,-	on request	on request
WK 57-2 E85, painted	C	45540,-	on request	on request

Sump Tray Type WM	Category	Price	Freight charges	Price including freight charges
WM-2/200, hot-dip galvanized	B	290,-	141,-	431,-
Drum Support FA 60-1, hot-dip galvanized	B	109,-	15,-	124,-
Drum Support FA 60-2, hot-dip galvanized	B	118,-	18,-	136,-
Drum Support FA 60-3, hot-dip galvanized	B	138,-	21,-	159,-
Drum Support FA 200-1, hot-dip galvanized	B	118,-	15,-	133,-
Can Shelf Type GR-A, galvanized	B	138,-	60,-	198,-
Can Shelf Type GR-B, galvanized	B	138,-	60,-	198,-
Can Shelf Type GR-C, galvanized	B	138,-	60,-	198,-
WM-4/200, hot-dip galvanized	B	330,-	141,-	471,-
Drum Support FA 60-1, hot-dip galvanized	B	109,-	15,-	124,-
Drum Support FA 60-2, hot-dip galvanized	B	118,-	18,-	136,-
Drum Support FA 60-3, hot-dip galvanized	B	138,-	21,-	159,-
Drum Support FA 200-1, hot-dip galvanized	B	118,-	15,-	133,-
Drum Support FA 200-2, hot-dip galvanized	B	138,-	22,-	160,-
Can Shelf Type GR-A, galvanized	B	138,-	60,-	198,-
Can Shelf Type GR-B, galvanized	B	138,-	60,-	198,-
Can Shelf Type GR-C, galvanized	B	138,-	60,-	198,-
WM-4/400, hot-dip galvanized	B	396,-	225,-	621,-

Prices in EUR, valid EXW DE-46354 Südlohn, DE-38820 Halberstadt, unpacked
Freight charges valid CPT Portugal, islands and oversea territories excluded

Price List 0726 en-PT

Environment / Storage



Sump Tray Type WO	Category	Price	Freight charges	Price including freight charges
WO-2/200, hot-dip galvanized	B	221,-	141,-	362,-
WO-4/200, hot-dip galvanized	B	240,-	141,-	381,-
WO-4/400, hot-dip galvanized	B	309,-	141,-	450,-
Polyethylene Sump Pallet Type WP	Category	Price	Freight charges	Price including freight charges
WP 1/11, made of robust polyethylene	B	1089,-	141,-	1230,-
WP 2/11, made of robust polyethylene	B	1377,-	141,-	1518,-
Dispensing Tray VB 2, robust polyethylene, blue	B	158,-	60,-	218,-
Polyethylene Sump Pallet Type WPA-PE	Category	Price	Freight charges	Price including freight charges
WPA-PE 2/2, made of robust polyethylene	B	324,-	141,-	465,-
WPA-PE 4/2, made of robust polyethylene	B	512,-	141,-	653,-
Polyethylene Sump Pallet Type WP-PE	Category	Price	Freight charges	Price including freight charges
WP-PE 1/11, made of robust polyethylene	B	1179,-	141,-	1320,-
Dispensing Tray VB 1, robust polyethylene, blue	B	169,-	60,-	229,-
WP-PE 2/11, made of robust polyethylene	B	1560,-	278,-	1838,-
Dispensing Tray VB 2, robust polyethylene, blue	B	158,-	60,-	218,-
WP-PE 2/2, made of robust polyethylene	B	301,-	141,-	442,-
WP-PE 4/2, made of robust polyethylene	B	469,-	141,-	610,-
WP-PE 4/4, made of robust polyethylene	B	487,-	141,-	628,-
WP-PE 8/11, made of robust polyethylene	B	1560,-	278,-	1838,-
Mobile Polyethylene Sump Tray Type WPT	Category	Price	Freight charges	Price including freight charges
WPT 230, made of robust polyethylene	B	538,-	141,-	679,-

Prices in EUR, valid EXW DE-46354 Südlohn, DE-38820 Halberstadt, unpacked
Freight charges valid CPT Portugal, islands and oversea territories excluded

Price List 0726 en-PT

Hazardous Materials Containers

Fluorescent Tube Box Type AL-D	Category	Price	Freight charges	Price including freight charges
AL-D 150, aluminium	C	518,-	141,-	659,-
AL-D 200, aluminium	C	571,-	141,-	712,-
Collecting Container Type ASB	Category	Price	Freight charges	Price including freight charges
ASB 250, hot-dip galvanized	C	2038,-	327,-	2365,-
ASB 450-I, hot-dip galvanized	C	2155,-	327,-	2482,-
Special Waste Container Type ASK	Category	Price	Freight charges	Price including freight charges
ASK 540-4, hot-dip galvanized	C	on request	on request	on request
Duo-Container Type DC	Category	Price	Freight charges	Price including freight charges
DC 450, hot-dip galvanized	C	2347,-	on request	on request
Stainless steel strainer	D	118,-	9,-	127,-
Wing nut spanner for M12, hot-dip galvanized	F	35,-	15,-	50,-
DC 1000, hot-dip galvanized	C	2493,-	on request	on request
Stainless steel strainer	D	118,-	9,-	127,-
Wing nut spanner for M12, hot-dip galvanized	F	35,-	15,-	50,-
Lithium-Ion Storage Container Type LIL	Category	Price	Freight charges	Price including freight charges
LIL 30, hot-dip galvanized	B	1937,-	141,-	2078,-
LIL 90, hot-dip galvanized	B	2816,-	225,-	3041,-
Castor Set, polyamide, Load capacity 1050 kg / castor set	A	156,-	15,-	171,-
LIL 220, hot-dip galvanized	B	4864,-	327,-	5191,-
Castor Set, polyamide, Load capacity 1050 kg / castor set	A	156,-	15,-	171,-
LIL 280, hot-dip galvanized	B	5884,-	327,-	6211,-
Castor Set, polyamide, Load capacity 1050 kg / castor set	A	156,-	15,-	171,-
LIL 340, hot-dip galvanized	B	6792,-	327,-	7119,-
Castor Set, polyamide, Load capacity 1050 kg / castor set	A	156,-	15,-	171,-
MobiCont Type M 800	Category	Price	Freight charges	Price including freight charges
M 800, painted	C	1389,-	327,-	1716,-
Level Indicator	C	220,-	9,-	229,-
Funnel for filling, PP	D	68,-	9,-	77,-
Filling/Extraction lid	C	68,-	9,-	77,-
Lid, galvanized, without a lock	C	195,-	15,-	210,-
Lid, galvanized, with square lock	C	242,-	18,-	260,-
Lid, galvanized, with cylinder lock	C	242,-	18,-	260,-
Castor Set, polyamide, Load capacity 1350 kg / castor set	A	192,-	15,-	207,-
Hand Pump K 10 C, connects to drum thread, suitable for fuels and heating fuel	C	95,-	14,-	109,-
Hose Kit (1.5 m) for Hand Pump Type K 10 C, suitable for diesel and fuel	C	68,-	14,-	82,-
Hose Kit (3 m) for Hand Pump Type K 10 C, suitable for diesel and fuel	C	96,-	15,-	111,-

Prices in EUR, valid EXW DE-46354 Südlohn, DE-38820 Halberstadt, unpacked
Freight charges valid CPT Portugal, islands and oversea territories excluded

Price List 0726 en-PT

Hazardous Materials Containers



MobiCont Type M 800	Category	Price	Freight charges	Price including freight charges
Hose Kit (4 m) for Hand Pump Type K 10 C, suitable for diesel and fuel	C	109,-	15,-	124,-
Electric Pump TecPump 400 DC 12V	C	510,-	15,-	525,-
Electric Pump TecPump 400 DC 24V	C	510,-	15,-	525,-
Electric Pump TecPump 600 AC 230V	C	510,-	15,-	525,-
M 800, hot-dip galvanized	C	1483,-	327,-	1810,-
Level Indicator	C	220,-	9,-	229,-
Funnel for filling, PP	D	68,-	9,-	77,-
Filling/Extraction lid	C	68,-	9,-	77,-
Lid, galvanized, without a lock	C	195,-	15,-	210,-
Lid, galvanized, with square lock	C	242,-	18,-	260,-
Lid, galvanized, with cylinder lock	C	242,-	18,-	260,-
Castor Set, polyamide, Load capacity 1350 kg / castor set	A	192,-	15,-	207,-
Hand Pump K 10 C, connects to drum thread, suitable for fuels and heating fuel	C	95,-	14,-	109,-
Hose Kit (1.5 m) for Hand Pump Type K 10 C, suitable for diesel and fuel	C	68,-	14,-	82,-
Hose Kit (3 m) for Hand Pump Type K 10 C, suitable for diesel and fuel	C	96,-	15,-	111,-
Hose Kit (4 m) for Hand Pump Type K 10 C, suitable for diesel and fuel	C	109,-	15,-	124,-
Electric Pump TecPump 400 DC 12V	C	510,-	15,-	525,-
Electric Pump TecPump 400 DC 24V	C	510,-	15,-	525,-
Electric Pump TecPump 600 AC 230V	C	510,-	15,-	525,-
MobiCont Type MD	Category	Price	Freight charges	Price including freight charges
MD 800, painted	C	1934,-	327,-	2261,-
Level Indicator	C	220,-	9,-	229,-
Hand Pump K 10 C, connects to drum thread, suitable for fuels and heating fuel	C	95,-	14,-	109,-
Hose Kit (1.5 m) for Hand Pump Type K 10 C, suitable for diesel and fuel	C	68,-	14,-	82,-
Hose Kit (3 m) for Hand Pump Type K 10 C, suitable for diesel and fuel	C	96,-	15,-	111,-
Hose Kit (4 m) for Hand Pump Type K 10 C, suitable for diesel and fuel	C	109,-	15,-	124,-
Electric Pump TecPump 400 DC 12V	C	510,-	15,-	525,-
Electric Pump TecPump 400 DC 24V	C	510,-	15,-	525,-
Electric Pump TecPump 600 AC 230V	C	510,-	15,-	525,-
MD 800, hot-dip galvanized	C	2025,-	327,-	2352,-
Level Indicator	C	220,-	9,-	229,-
Hand Pump K 10 C, connects to drum thread, suitable for fuels and heating fuel	C	95,-	14,-	109,-
Hose Kit (1.5 m) for Hand Pump Type K 10 C, suitable for diesel and fuel	C	68,-	14,-	82,-
Hose Kit (3 m) for Hand Pump Type K 10 C, suitable for diesel and fuel	C	96,-	15,-	111,-
Hose Kit (4 m) for Hand Pump Type K 10 C, suitable for diesel and fuel	C	109,-	15,-	124,-
Electric Pump TecPump 400 DC 12V	C	510,-	15,-	525,-
Electric Pump TecPump 400 DC 24V	C	510,-	15,-	525,-
Electric Pump TecPump 600 AC 230V	C	510,-	15,-	525,-
MobiCont Type MO	Category	Price	Freight charges	Price including freight charges
MO 800, painted	C	on request	on request	on request
Level Indicator	C	220,-	9,-	229,-
MO 800, hot-dip galvanized	C	on request	on request	on request
Level Indicator	C	220,-	9,-	229,-

Prices in EUR, valid EXW DE-46354 Südlohn, DE-38820 Halberstadt, unpacked
Freight charges valid CPT Portugal, islands and oversea territories excluded

Price List 0726 en-PT

Hazardous Materials Containers



Fuel Container Type MT	Category	Price	Freight charges	Price including freight charges
MT 450, hot-dip galvanized	C	2223,-	327,-	2550,-
Level Indicator	C	220,-	9,-	229,-
Hand Pump K 10 C, connects to drum thread, suitable for fuels and heating fuel	C	95,-	14,-	109,-
Digital Flow Counter FMT 3 with screwed joints	C	320,-	9,-	329,-
Electric Pump TecPump 400 DC 12V	C	510,-	12,-	522,-
Electric Pump TecPump 400 DC 24V	C	510,-	12,-	522,-
Electric Pump TecPump 600 AC 230V	C	510,-	12,-	522,-
Counter Z 400, Retrofit Kit for Electric Pumps TecPump 400 DC 12V, 400 DC 24V and 600 AC 230V	C	159,-	9,-	168,-
MT 600, hot-dip galvanized	C	2644,-	327,-	2971,-
Level Indicator	C	220,-	9,-	229,-
Hand Pump K 10 C, connects to drum thread, suitable for fuels and heating fuel	C	95,-	14,-	109,-
Digital Flow Counter FMT 3 with screwed joints	C	320,-	9,-	329,-
Electric Pump TecPump 400 DC 12V	C	510,-	12,-	522,-
Electric Pump TecPump 400 DC 24V	C	510,-	12,-	522,-
Electric Pump TecPump 600 AC 230V	C	510,-	12,-	522,-
Counter Z 400, Retrofit Kit for Electric Pumps TecPump 400 DC 12V, 400 DC 24V and 600 AC 230V	C	159,-	9,-	168,-
MT 1000, hot-dip galvanized	C	2858,-	398,-	3256,-
Level Indicator	C	220,-	9,-	229,-
Hand Pump K 10 C, connects to drum thread, suitable for fuels and heating fuel	C	95,-	14,-	109,-
Digital Flow Counter FMT 3 with screwed joints	C	320,-	9,-	329,-
Electric Pump TecPump 400 DC 12V	C	510,-	12,-	522,-
Electric Pump TecPump 400 DC 24V	C	510,-	12,-	522,-
Electric Pump TecPump 600 AC 230V	C	510,-	12,-	522,-
Counter Z 400, Retrofit Kit for Electric Pumps TecPump 400 DC 12V, 400 DC 24V and 600 AC 230V	C	159,-	9,-	168,-

MobiCont Type MW	Category	Price	Freight charges	Price including freight charges
MW 800, painted	C	1783,-	327,-	2110,-
Level Indicator	C	220,-	9,-	229,-
Filling coupling	C	53,-	8,-	61,-
Tank heating, 220 W	C	384,-	12,-	396,-
Tank fitting	B	67,-	9,-	76,-
Anti-siphon valve	D	71,-	8,-	79,-
Aeration/Vent valve	C	27,-	8,-	35,-
MW 800, hot-dip galvanized	C	1877,-	327,-	2204,-
Level Indicator	C	220,-	9,-	229,-
Filling coupling	C	53,-	8,-	61,-
Tank heating, 220 W	C	384,-	12,-	396,-
Tank fitting	B	67,-	9,-	76,-
Anti-siphon valve	D	71,-	8,-	79,-
Aeration/Vent valve	C	27,-	8,-	35,-

Special Waste Container Type SAF	Category	Price	Freight charges	Price including freight charges
SAF 450, hot-dip galvanized	C	1136,-	on request	on request
SAF 600, hot-dip galvanized	C	1136,-	on request	on request
SAF 1000, hot-dip galvanized	C	1136,-	on request	on request

Prices in EUR, valid EXW DE-46354 Südlohn, DE-38820 Halberstadt, unpacked
Freight charges valid CPT Portugal, islands and oversea territories excluded

Price List 0726 en-PT

Hazardous Materials Containers



Large Salvage Packaging Type SAG	Category	Price	Freight charges	Price including freight charges
SAG 800, hot-dip galvanized	C	1141,-	327,-	1468,-
SAG 1500, hot-dip galvanized	C	2151,-	on request	on request
Polyethylene sacks, 25 pieces on roll	C	187,-	41,-	228,-
SAG 2100, hot-dip galvanized	C	2257,-	on request	on request
Polyethylene sacks, 25 pieces on roll	C	187,-	41,-	228,-
SAG 2700, hot-dip galvanized	C	2331,-	on request	on request
Polyethylene sacks, 25 pieces on roll	C	187,-	41,-	228,-
Special Waste Container Type SAP	Category	Price	Freight charges	Price including freight charges
SAP 450, hot-dip galvanized	C	953,-	on request	on request
Polyethylene sacks, 50 pieces on roll - 0,085 mm	C	139,-	62,-	201,-
Polyethylene sacks, 50 pieces on roll - 0,16 mm	C	246,-	141,-	387,-
SAP 600, hot-dip galvanized	C	953,-	on request	on request
Polyethylene sacks, 50 pieces on roll - 0,085 mm	C	139,-	62,-	201,-
Polyethylene sacks, 50 pieces on roll - 0,16 mm	C	246,-	141,-	387,-
SAP 800, hot-dip galvanized	C	953,-	on request	on request
Polyethylene sacks, 50 pieces on roll - 0,085 mm	C	139,-	62,-	201,-
Polyethylene sacks, 50 pieces on roll - 0,16 mm	C	246,-	141,-	387,-
Special Waste Container Type SAP-1	Category	Price	Freight charges	Price including freight charges
SAP 450-1, hot-dip galvanized	C	891,-	on request	on request
Polyethylene sacks, 50 pieces on roll - 0,085 mm	C	139,-	62,-	201,-
Polyethylene sacks, 50 pieces on roll - 0,16 mm	C	246,-	141,-	387,-
SAP 600-1, hot-dip galvanized	C	891,-	on request	on request
Polyethylene sacks, 50 pieces on roll - 0,085 mm	C	139,-	62,-	201,-
Polyethylene sacks, 50 pieces on roll - 0,16 mm	C	246,-	141,-	387,-
SAP 800-1, hot-dip galvanized	C	891,-	on request	on request
Polyethylene sacks, 50 pieces on roll - 0,085 mm	C	139,-	62,-	201,-
Polyethylene sacks, 50 pieces on roll - 0,16 mm	C	246,-	141,-	387,-
SAP 800-3, hot-dip galvanized	C	874,-	on request	on request
Polyethylene sacks, 50 pieces on roll - 0,085 mm	C	139,-	62,-	201,-
Polyethylene sacks, 50 pieces on roll - 0,16 mm	C	246,-	141,-	387,-
Used Battery Container Type SAP 600 K	Category	Price	Freight charges	Price including freight charges
SAP 600 K, hot-dip galvanized	C	1286,-	on request	on request
Used Battery Container Type SAP 601 K	Category	Price	Freight charges	Price including freight charges
SAP 601 K, hot-dip galvanized	C	1141,-	on request	on request
Special Waste Container Type SAS	Category	Price	Freight charges	Price including freight charges
SAS 800, hot-dip galvanized	C	963,-	on request	on request
Hazardous Materials Container Type SF	Category	Price	Freight charges	Price including freight charges
SF 240, hot-dip galvanized	C	on request	on request	on request

Prices in EUR, valid EXW DE-46354 Südlohn, DE-38820 Halberstadt, unpacked
Freight charges valid CPT Portugal, islands and oversea territories excluded

Price List 0726 en-PT

Hazardous Materials Containers



Fluorescent Tube Box Type SL	Category	Price	Freight charges	Price including freight charges
SL 150, painted	C	688,-	225,-	913,-
SL 150, hot-dip galvanized	C	822,-	225,-	1047,-
SL 200, painted	C	766,-	225,-	991,-
SL 200, hot-dip galvanized	C	902,-	327,-	1229,-
Fluorescent Tube Box Type SL-D	Category	Price	Freight charges	Price including freight charges
SL-D 150, painted	C	757,-	225,-	982,-
Removable Tray, galvanized	C	87,-	10,-	97,-
SL-D 150, hot-dip galvanized	C	880,-	225,-	1105,-
Removable Tray, galvanized	C	87,-	10,-	97,-
SL-D 200, painted	C	837,-	225,-	1062,-
Removable Tray, galvanized	C	87,-	10,-	97,-
SL-D 200, hot-dip galvanized	C	973,-	225,-	1198,-
Removable Tray, galvanized	C	87,-	10,-	97,-
Fluorescent Tube Box Type SL-N	Category	Price	Freight charges	Price including freight charges
SL-N 220, painted	C	861,-	225,-	1086,-
SL-N 220, hot-dip galvanized	C	1003,-	225,-	1228,-
Special Waste Container Type SP	Category	Price	Freight charges	Price including freight charges
SP 100, hot-dip galvanized	C	on request	on request	on request
SP 240, hot-dip galvanized	C	on request	on request	on request
Transport Box for Aerosol Cans Type STB	Category	Price	Freight charges	Price including freight charges
STB 1000, hot-dip galvanized	C	1158,-	on request	on request
Polyethylene sacks, 50 pieces on roll	C	192,-	62,-	254,-
Absorbent felt, 100 pieces	C	366,-	60,-	426,-

Prices in EUR, valid EXW DE-46354 Südlohn, DE-38820 Halberstadt, unpacked
Freight charges valid CPT Portugal, islands and oversea territories excluded