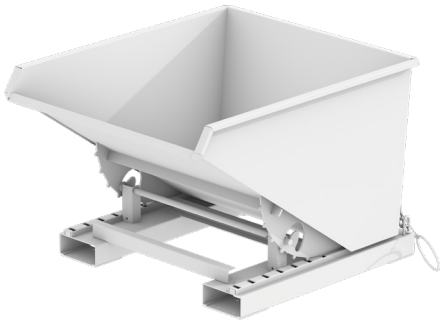


...made by



PRICE LIST 0726 EN-R0

FORKLIFT TRUCK ATTACHMENTS

WORKSPACE MATERIAL HANDLING

ENVIRONMENT / STORAGE

HAZARDOUS MATERIALS CONTAINERS

INNOVATION – CONSTRUCTION – PRODUCTION

... since 1966

Price List 0726 en-RO Forklift Truck Attachments

Drum Gripper Type 3P	Category	Price	Freight charges	Price including freight charges
3P, painted	B	942,-	173,-	1115,-
3P, hot-dip galvanized	B	990,-	173,-	1163,-

Tilting Container Type 3S	Category	Price	Freight charges	Price including freight charges
3S 300, painted	A	1244,-	291,-	1535,-
Lid, galvanized	A	174,-	18,-	192,-
Castor Set, polyamide, Load capacity 1050 kg / castor set	A	136,-	15,-	151,-
3S 300, hot-dip galvanized	A	1342,-	426,-	1768,-
Lid, galvanized	A	174,-	18,-	192,-
Castor Set, polyamide, Load capacity 1050 kg / castor set	A	136,-	15,-	151,-
3S 600, painted	A	1300,-	426,-	1726,-
Lid, galvanized	A	196,-	22,-	218,-
Castor Set, polyamide, Load capacity 1050 kg / castor set	A	136,-	15,-	151,-
3S 600, hot-dip galvanized	A	1402,-	426,-	1828,-
Lid, galvanized	A	196,-	22,-	218,-
Castor Set, polyamide, Load capacity 1050 kg / castor set	A	136,-	15,-	151,-

Automatic Tilting Container Type 4A	Category	Price	Freight charges	Price including freight charges
4A 600, painted	A	1103,-	291,-	1394,-
Lid, galvanized	A	196,-	22,-	218,-
Skip Body Welded Oil and Watertight	A	78,-	0,-	78,-
4A 600, hot-dip galvanized	A	1250,-	291,-	1541,-
Lid, galvanized	A	196,-	22,-	218,-
Skip Body Welded Oil and Watertight	A	78,-	0,-	78,-
4A 900, painted	A	1239,-	426,-	1665,-
Lid, galvanized	A	223,-	27,-	250,-
Skip Body Welded Oil and Watertight	A	78,-	0,-	78,-
4A 900, hot-dip galvanized	A	1424,-	426,-	1850,-
Lid, galvanized	A	223,-	27,-	250,-
Skip Body Welded Oil and Watertight	A	78,-	0,-	78,-
4A 1200, painted	A	1327,-	426,-	1753,-
Lid, galvanized	A	223,-	26,-	249,-
Skip Body Welded Oil and Watertight	A	121,-	0,-	121,-
4A 1200, hot-dip galvanized	A	1558,-	426,-	1984,-
Lid, galvanized	A	223,-	26,-	249,-
Skip Body Welded Oil and Watertight	A	121,-	0,-	121,-

Drum Gripper Type 4P	Category	Price	Freight charges	Price including freight charges
4P, painted	B	578,-	118,-	696,-
4P, hot-dip galvanized	B	551,-	118,-	669,-

Prices in EUR, valid EXW DE-46354 Südlohn, DE-38820 Halberstadt, unpacked
Freight charges valid CPT Romania, islands and oversea territories excluded

Price List 0726 en-R0

Forklift Truck Attachments



Drum Gripper Type 4P-D	Category	Price	Freight charges	Price including freight charges
4P-D120, painted	B	578,-	118,-	696,-
4P-D120, hot-dip galvanized	B	551,-	118,-	669,-
4P-D220, painted	B	578,-	118,-	696,-
4P-D220, hot-dip galvanized	B	551,-	118,-	669,-

Tilting Container Type AK	Category	Price	Freight charges	Price including freight charges
AK 50, painted	A	802,-	291,-	1093,-
Lid, galvanized	A	140,-	16,-	156,-
Castor Set, polyamide, Load capacity 1050 kg / castor set	A	136,-	15,-	151,-
Skip Body Welded Oil and Watertight	A	78,-	0,-	78,-
AK 50, hot-dip galvanized	A	956,-	291,-	1247,-
Lid, galvanized	A	140,-	16,-	156,-
Castor Set, polyamide, Load capacity 1050 kg / castor set	A	136,-	15,-	151,-
Skip Body Welded Oil and Watertight	A	78,-	0,-	78,-
AK 75, painted	A	897,-	291,-	1188,-
Lid, galvanized	A	192,-	21,-	213,-
Castor Set, polyamide, Load capacity 1050 kg / castor set	A	136,-	15,-	151,-
Skip Body Welded Oil and Watertight	A	78,-	0,-	78,-
AK 75, hot-dip galvanized	A	1048,-	426,-	1474,-
Lid, galvanized	A	192,-	21,-	213,-
Castor Set, polyamide, Load capacity 1050 kg / castor set	A	136,-	15,-	151,-
Skip Body Welded Oil and Watertight	A	78,-	0,-	78,-
AK 100, painted	A	970,-	426,-	1396,-
Lid, galvanized	A	218,-	26,-	244,-
Castor Set, polyamide, Load capacity 1050 kg / castor set	A	136,-	15,-	151,-
Skip Body Welded Oil and Watertight	A	121,-	0,-	121,-
AK 100, hot-dip galvanized	A	1133,-	426,-	1559,-
Lid, galvanized	A	218,-	26,-	244,-
Castor Set, polyamide, Load capacity 1050 kg / castor set	A	136,-	15,-	151,-
Skip Body Welded Oil and Watertight	A	121,-	0,-	121,-
AK 150, painted	A	1238,-	426,-	1664,-
Lid, galvanized	A	305,-	28,-	333,-
Castor Set, polyamide, Load capacity 1050 kg / castor set	A	136,-	15,-	151,-
Skip Body Welded Oil and Watertight	A	121,-	0,-	121,-
AK 150, hot-dip galvanized	A	1448,-	426,-	1874,-
Lid, galvanized	A	305,-	28,-	333,-
Castor Set, polyamide, Load capacity 1050 kg / castor set	A	136,-	15,-	151,-
Skip Body Welded Oil and Watertight	A	121,-	0,-	121,-

Container for Building Materials Type BBG	Category	Price	Freight charges	Price including freight charges
BBG 100, painted	A	405,-	291,-	696,-
Lid, galvanized	A	189,-	173,-	362,-
BBG 100, hot-dip galvanized	A	496,-	291,-	787,-
Lid, galvanized	A	189,-	173,-	362,-

Prices in EUR, valid EXW DE-46354 Südlohn, DE-38820 Halberstadt, unpacked
 Freight charges valid CPT Romania, islands and oversea territories excluded

Price List 0726 en-RO

Forklift Truck Attachments



Container for Building Materials Type BBK	Category	Price	Freight charges	Price including freight charges
BBK 100, painted	A	496,-	291,-	787,-
Lid, galvanized	A	189,-	173,-	362,-
BBK 100, hot-dip galvanized	A	571,-	291,-	862,-
Lid, galvanized	A	189,-	173,-	362,-
Material Container Type BBM	Category	Price	Freight charges	Price including freight charges
BBM 500, painted	A	325,-	173,-	498,-
BBM 500, hot-dip galvanized	A	359,-	173,-	532,-
Container for Building Materials Type BBP	Category	Price	Freight charges	Price including freight charges
BBP 100, painted	A	433,-	173,-	606,-
Lid, galvanized	A	189,-	173,-	362,-
Pick-up cones (pins) and angle iron traverse lock	A	51,-	10,-	61,-
BBP 100, hot-dip galvanized	A	511,-	173,-	684,-
Lid, galvanized	A	189,-	173,-	362,-
Pick-up cones (pins) and angle iron traverse lock	A	51,-	10,-	61,-
Tilting Traverse for Containers for Building Material Containers Type BBT	Category	Price	Freight charges	Price including freight charges
BBT, painted	A	571,-	291,-	862,-
BBT, hot-dip galvanized	A	649,-	291,-	940,-
Building Materials Container Type BC	Category	Price	Freight charges	Price including freight charges
BC 500, painted	B	957,-	291,-	1248,-
Lid, galvanized	B	143,-	16,-	159,-
Castor Set, polyamide, Load capacity 1350 kg / castor set	A	192,-	15,-	207,-
BC 500, hot-dip galvanized	B	1179,-	426,-	1605,-
Lid, galvanized	B	143,-	16,-	159,-
Castor Set, polyamide, Load capacity 1350 kg / castor set	A	192,-	15,-	207,-
BC 500 (brick clamp operated), painted	B	1026,-	291,-	1317,-
Lid, galvanized	B	143,-	16,-	159,-
Castor Set, polyamide, Load capacity 1350 kg / castor set	A	192,-	15,-	207,-
BC 500 (brick clamp operated), hot-dip galvanized	B	1250,-	426,-	1676,-
Lid, galvanized	B	143,-	16,-	159,-
Castor Set, polyamide, Load capacity 1350 kg / castor set	A	192,-	15,-	207,-
BC 1000, painted	B	1043,-	426,-	1469,-
Lid, galvanized	B	143,-	16,-	159,-
Castor Set, polyamide, Load capacity 1350 kg / castor set	A	192,-	15,-	207,-
BC 1000, hot-dip galvanized	B	1316,-	426,-	1742,-
Lid, galvanized	B	143,-	16,-	159,-
Castor Set, polyamide, Load capacity 1350 kg / castor set	A	192,-	15,-	207,-
BC 1000 (brick clamp operated), painted	B	1111,-	426,-	1537,-
Lid, galvanized	B	143,-	16,-	159,-
Castor Set, polyamide, Load capacity 1350 kg / castor set	A	192,-	15,-	207,-
BC 1000 (brick clamp operated), hot-dip galvanized	B	1386,-	426,-	1812,-
Lid, galvanized	B	143,-	16,-	159,-

Prices in EUR, valid EXW DE-46354 Südlohn, DE-38820 Halberstadt, unpacked
Freight charges valid CPT Romania, islands and oversea territories excluded

Price List 0726 en-RO

Forklift Truck Attachments



Building Materials Container Type BC	Category	Price	Freight charges	Price including freight charges
Castor Set, polyamide, Load capacity 1350 kg / castor set	A	192,-	15,-	207,-
Tilting Container Type BK	Category	Price	Freight charges	Price including freight charges
BK 30, painted	A	700,-	291,-	991,-
Lid, galvanized	A	98,-	18,-	116,-
Castor Set, polyamide, Load capacity 1350 kg / castor set	A	192,-	15,-	207,-
Heavy-duty Castor Set, polyamide, Load capacity 2550 kg / castor set	A	379,-	15,-	394,-
Skip Body Welded Oil and Watertight	A	78,-	0,-	78,-
BK 30, hot-dip galvanized	A	984,-	291,-	1275,-
Lid, galvanized	A	98,-	18,-	116,-
Castor Set, polyamide, Load capacity 1350 kg / castor set	A	192,-	15,-	207,-
Heavy-duty Castor Set, polyamide, Load capacity 2550 kg / castor set	A	379,-	15,-	394,-
Skip Body Welded Oil and Watertight	A	78,-	0,-	78,-
BK 50, painted	A	984,-	291,-	1275,-
Lid, galvanized	A	98,-	20,-	118,-
Castor Set, polyamide, Load capacity 1350 kg / castor set	A	192,-	15,-	207,-
Heavy-duty Castor Set, polyamide, Load capacity 2550 kg / castor set	A	379,-	15,-	394,-
Skip Body Welded Oil and Watertight	A	78,-	0,-	78,-
BK 50, hot-dip galvanized	A	1327,-	426,-	1753,-
Lid, galvanized	A	98,-	20,-	118,-
Castor Set, polyamide, Load capacity 1350 kg / castor set	A	192,-	15,-	207,-
Heavy-duty Castor Set, polyamide, Load capacity 2550 kg / castor set	A	379,-	15,-	394,-
Skip Body Welded Oil and Watertight	A	78,-	0,-	78,-
BK 80, painted	A	1297,-	426,-	1723,-
Lid, galvanized	A	144,-	22,-	166,-
Castor Set, polyamide, Load capacity 1350 kg / castor set	A	192,-	15,-	207,-
Heavy-duty Castor Set, polyamide, Load capacity 2550 kg / castor set	A	379,-	15,-	394,-
Skip Body Welded Oil and Watertight	A	78,-	0,-	78,-
BK 80, hot-dip galvanized	A	1814,-	426,-	2240,-
Lid, galvanized	A	144,-	22,-	166,-
Castor Set, polyamide, Load capacity 1350 kg / castor set	A	192,-	15,-	207,-
Heavy-duty Castor Set, polyamide, Load capacity 2550 kg / castor set	A	379,-	15,-	394,-
Skip Body Welded Oil and Watertight	A	78,-	0,-	78,-
BK 100, painted	A	1508,-	426,-	1934,-
Lid, galvanized	A	173,-	27,-	200,-
Castor Set, polyamide, Load capacity 1350 kg / castor set	A	192,-	15,-	207,-
Heavy-duty Castor Set, polyamide, Load capacity 2550 kg / castor set	A	379,-	15,-	394,-
Skip Body Welded Oil and Watertight	A	121,-	0,-	121,-
BK 100, hot-dip galvanized	A	2070,-	426,-	2496,-
Lid, galvanized	A	173,-	27,-	200,-
Castor Set, polyamide, Load capacity 1350 kg / castor set	A	192,-	15,-	207,-
Heavy-duty Castor Set, polyamide, Load capacity 2550 kg / castor set	A	379,-	15,-	394,-
Skip Body Welded Oil and Watertight	A	121,-	0,-	121,-
BK 120, painted	A	1640,-	426,-	2066,-
Lid, galvanized	A	184,-	32,-	216,-
Castor Set, polyamide, Load capacity 1350 kg / castor set	A	192,-	15,-	207,-

Prices in EUR, valid EXW DE-46354 Südlohn, DE-38820 Halberstadt, unpacked
Freight charges valid CPT Romania, islands and oversea territories excluded

Price List 0726 en-RO

Forklift Truck Attachments



Tilting Container Type BK	Category	Price	Freight charges	Price including freight charges
Heavy-duty Castor Set, polyamide, Load capacity 2550 kg / castor set	A	379,-	15,-	394,-
Skip Body Welded Oil and Watertight	A	121,-	0,-	121,-
BK 120, hot-dip galvanized	A	2235,-	426,-	2661,-
Lid, galvanized	A	184,-	32,-	216,-
Castor Set, polyamide, Load capacity 1350 kg / castor set	A	192,-	15,-	207,-
Heavy-duty Castor Set, polyamide, Load capacity 2550 kg / castor set	A	379,-	15,-	394,-
Skip Body Welded Oil and Watertight	A	121,-	0,-	121,-
BK 150, painted	A	1801,-	515,-	2316,-
Lid, galvanized	A	211,-	39,-	250,-
Castor Set, polyamide, Load capacity 1350 kg / castor set	A	192,-	15,-	207,-
Heavy-duty Castor Set, polyamide, Load capacity 2550 kg / castor set	A	379,-	15,-	394,-
Skip Body Welded Oil and Watertight	A	121,-	0,-	121,-
BK 150, hot-dip galvanized	A	2444,-	515,-	2959,-
Lid, galvanized	A	211,-	39,-	250,-
Castor Set, polyamide, Load capacity 1350 kg / castor set	A	192,-	15,-	207,-
Heavy-duty Castor Set, polyamide, Load capacity 2550 kg / castor set	A	379,-	15,-	394,-
Skip Body Welded Oil and Watertight	A	121,-	0,-	121,-
BK 200, painted	A	2240,-	515,-	2755,-
Lid, galvanized	A	223,-	173,-	396,-
Castor Set, polyamide, Load capacity 1350 kg / castor set	A	192,-	15,-	207,-
Heavy-duty Castor Set, polyamide, Load capacity 2550 kg / castor set	A	379,-	15,-	394,-
Skip Body Welded Oil and Watertight	A	121,-	0,-	121,-
BK 200, hot-dip galvanized	A	3052,-	753,-	3805,-
Lid, galvanized	A	223,-	173,-	396,-
Castor Set, polyamide, Load capacity 1350 kg / castor set	A	192,-	15,-	207,-
Heavy-duty Castor Set, polyamide, Load capacity 2550 kg / castor set	A	379,-	15,-	394,-
Skip Body Welded Oil and Watertight	A	121,-	0,-	121,-
Container With Drop Away Base Type BKB	Category	Price	Freight charges	Price including freight charges
BKB 500, painted	A	763,-	291,-	1054,-
Lid, galvanized	A	196,-	18,-	214,-
Castor Set, polyamide, Load capacity 1350 kg / castor set	A	192,-	15,-	207,-
BKB 500, hot-dip galvanized	A	907,-	291,-	1198,-
Lid, galvanized	A	196,-	18,-	214,-
Castor Set, polyamide, Load capacity 1350 kg / castor set	A	192,-	15,-	207,-
BKB 700, painted	A	816,-	291,-	1107,-
Lid, galvanized	A	196,-	18,-	214,-
Castor Set, polyamide, Load capacity 1350 kg / castor set	A	192,-	15,-	207,-
BKB 700, hot-dip galvanized	A	960,-	291,-	1251,-
Lid, galvanized	A	196,-	18,-	214,-
Castor Set, polyamide, Load capacity 1350 kg / castor set	A	192,-	15,-	207,-
BKB 1000, painted	A	865,-	291,-	1156,-
Lid, galvanized	A	196,-	18,-	214,-
Castor Set, polyamide, Load capacity 1350 kg / castor set	A	192,-	15,-	207,-
BKB 1000, hot-dip galvanized	A	1029,-	291,-	1320,-
Lid, galvanized	A	196,-	18,-	214,-

Prices in EUR, valid EXW DE-46354 Südlohn, DE-38820 Halberstadt, unpacked
Freight charges valid CPT Romania, islands and oversea territories excluded

Price List 0726 en-RO

Forklift Truck Attachments



Container With Drop Away Base Type BKB	Category	Price	Freight charges	Price including freight charges
Castor Set, polyamide, Load capacity 1350 kg / castor set	A	192,-	15,-	207,-

Tilting Container Type BKC	Category	Price	Freight charges	Price including freight charges
BKC 200, painted	A	2308,-	753,-	3061,-
Lid, galvanized	A	450,-	173,-	623,-
Skip Body Welded Oil and Watertight	A	121,-	0,-	121,-
BKC 200, hot-dip galvanized	A	3089,-	753,-	3842,-
Lid, galvanized	A	450,-	173,-	623,-
Skip Body Welded Oil and Watertight	A	121,-	0,-	121,-
BKC 300, painted	A	2558,-	753,-	3311,-
Lid, galvanized	A	450,-	173,-	623,-
Skip Body Welded Oil and Watertight	A	121,-	0,-	121,-
BKC 300, hot-dip galvanized	A	3367,-	753,-	4120,-
Lid, galvanized	A	450,-	173,-	623,-
Skip Body Welded Oil and Watertight	A	121,-	0,-	121,-
BKC 400, painted	A	3150,-	753,-	3903,-
Lid, galvanized	A	450,-	291,-	741,-
Skip Body Welded Oil and Watertight	A	121,-	0,-	121,-
BKC 400, hot-dip galvanized	A	4067,-	968,-	5035,-
Lid, galvanized	A	450,-	291,-	741,-
Skip Body Welded Oil and Watertight	A	121,-	0,-	121,-
BKC 500, painted	A	3659,-	968,-	4627,-
Lid, galvanized	A	450,-	291,-	741,-
Skip Body Welded Oil and Watertight	A	121,-	0,-	121,-
BKC 500, hot-dip galvanized	A	4641,-	968,-	5609,-
Lid, galvanized	A	450,-	291,-	741,-
Skip Body Welded Oil and Watertight	A	121,-	0,-	121,-

Tilting Container Type BKC-H	Category	Price	Freight charges	Price including freight charges
BKC-H 200, painted	A	3422,-	753,-	4175,-
Lid, galvanized	A	450,-	173,-	623,-
Skip Body Welded Oil and Watertight	A	121,-	0,-	121,-
BKC-H 200, hot-dip galvanized	A	4204,-	753,-	4957,-
Lid, galvanized	A	450,-	173,-	623,-
Skip Body Welded Oil and Watertight	A	121,-	0,-	121,-
BKC-H 300, painted	A	3673,-	753,-	4426,-
Lid, galvanized	A	450,-	173,-	623,-
Skip Body Welded Oil and Watertight	A	121,-	0,-	121,-
BKC-H 300, hot-dip galvanized	A	4483,-	753,-	5236,-
Lid, galvanized	A	450,-	173,-	623,-
Skip Body Welded Oil and Watertight	A	121,-	0,-	121,-
BKC-H 400, painted	A	4265,-	753,-	5018,-
Lid, galvanized	A	450,-	291,-	741,-
Skip Body Welded Oil and Watertight	A	121,-	0,-	121,-
BKC-H 400, hot-dip galvanized	A	5182,-	968,-	6150,-

Prices in EUR, valid EXW DE-46354 Südlohn, DE-38820 Halberstadt, unpacked
 Freight charges valid CPT Romania, islands and oversea territories excluded

Price List 0726 en-RO

Forklift Truck Attachments



Tilting Container Type BKC-H	Category	Price	Freight charges	Price including freight charges
Lid, galvanized	A	450,-	291,-	741,-
Skip Body Welded Oil and Watertight	A	121,-	0,-	121,-
BKC-H 500, painted	A	4774,-	968,-	5742,-
Lid, galvanized	A	450,-	291,-	741,-
Skip Body Welded Oil and Watertight	A	121,-	0,-	121,-
BKC-H 500, hot-dip galvanized	A	5756,-	968,-	6724,-
Lid, galvanized	A	450,-	291,-	741,-
Skip Body Welded Oil and Watertight	A	121,-	0,-	121,-

Tilting Container Type BKM	Category	Price	Freight charges	Price including freight charges
BKM 30, painted	A	700,000	291,000	991,000
Lid, galvanized	A	104,000	18,000	122,000
Castor Set, polyamide, Load capacity 1350 kg / castor set	A	192,000	15,000	207,000
Heavy-duty Castor Set, polyamide, Load capacity 2550 kg / castor set	A	379,000	15,000	394,000
Skip Body Welded Oil and Watertight	A	78,000	0,000	78,000
BKM 30, hot-dip galvanized	A	984,000	291,000	1275,000
Lid, galvanized	A	104,000	18,000	122,000
Castor Set, polyamide, Load capacity 1350 kg / castor set	A	192,000	15,000	207,000
Heavy-duty Castor Set, polyamide, Load capacity 2550 kg / castor set	A	379,000	15,000	394,000
Skip Body Welded Oil and Watertight	A	78,000	0,000	78,000
BKM 50, painted	A	984,000	291,000	1275,000
Lid, galvanized	A	130,000	21,000	151,000
Castor Set, polyamide, Load capacity 1350 kg / castor set	A	192,000	15,000	207,000
Heavy-duty Castor Set, polyamide, Load capacity 2550 kg / castor set	A	379,000	15,000	394,000
Skip Body Welded Oil and Watertight	A	78,000	0,000	78,000
BKM 50, hot-dip galvanized	A	1327,000	291,000	1618,000
Lid, galvanized	A	130,000	21,000	151,000
Castor Set, polyamide, Load capacity 1350 kg / castor set	A	192,000	15,000	207,000
Heavy-duty Castor Set, polyamide, Load capacity 2550 kg / castor set	A	379,000	15,000	394,000
Skip Body Welded Oil and Watertight	A	78,000	0,000	78,000
BKM 75, painted	A	1246,000	426,000	1672,000
Lid, galvanized	A	142,000	22,000	164,000
Castor Set, polyamide, Load capacity 1350 kg / castor set	A	192,000	15,000	207,000
Heavy-duty Castor Set, polyamide, Load capacity 2550 kg / castor set	A	379,000	15,000	394,000
Skip Body Welded Oil and Watertight	A	78,000	0,000	78,000
BKM 75, hot-dip galvanized	A	1672,000	426,000	2098,000
Lid, galvanized	A	142,000	22,000	164,000
Castor Set, polyamide, Load capacity 1350 kg / castor set	A	192,000	15,000	207,000
Heavy-duty Castor Set, polyamide, Load capacity 2550 kg / castor set	A	379,000	15,000	394,000
Skip Body Welded Oil and Watertight	A	78,000	0,000	78,000
BKM 100, painted	A	1508,000	426,000	1934,000
Lid, galvanized	A	185,000	27,000	212,000
Castor Set, polyamide, Load capacity 1350 kg / castor set	A	192,000	15,000	207,000
Heavy-duty Castor Set, polyamide, Load capacity 2550 kg / castor set	A	379,000	15,000	394,000
Skip Body Welded Oil and Watertight	A	121,000	0,000	121,000
BKM 100, hot-dip galvanized	A	2070,000	426,000	2496,000

Prices in EUR, valid EXW DE-46354 Südlohn, DE-38820 Halberstadt, unpacked
Freight charges valid CPT Romania, islands and oversea territories excluded

Price List 0726 en-RO

Forklift Truck Attachments



Tilting Container Type BKM	Category	Price	Freight charges	Price including freight charges
Lid, galvanized	A	185,000	27,000	212,000
Castor Set, polyamide, Load capacity 1350 kg / castor set	A	192,000	15,000	207,000
Heavy-duty Castor Set, polyamide, Load capacity 2550 kg / castor set	A	379,000	15,000	394,000
Skip Body Welded Oil and Watertight	A	121,000	0,000	121,000
BKM 150, painted	A	1801,000	515,000	2316,000
Lid, galvanized	A	271,000	36,000	307,000
Castor Set, polyamide, Load capacity 1350 kg / castor set	A	192,000	15,000	207,000
Heavy-duty Castor Set, polyamide, Load capacity 2550 kg / castor set	A	379,000	15,000	394,000
Skip Body Welded Oil and Watertight	A	121,000	0,000	121,000
BKM 150, hot-dip galvanized	A	2444,000	515,000	2959,000
Lid, galvanized	A	271,000	36,000	307,000
Castor Set, polyamide, Load capacity 1350 kg / castor set	A	192,000	15,000	207,000
Heavy-duty Castor Set, polyamide, Load capacity 2550 kg / castor set	A	379,000	15,000	394,000
Skip Body Welded Oil and Watertight	A	121,000	0,000	121,000
BKM 200, painted	A	2240,000	515,000	2755,000
Lid, galvanized	A	302,000	173,000	475,000
Castor Set, polyamide, Load capacity 1350 kg / castor set	A	192,000	15,000	207,000
Heavy-duty Castor Set, polyamide, Load capacity 2550 kg / castor set	A	379,000	15,000	394,000
Skip Body Welded Oil and Watertight	A	121,000	0,000	121,000
Lid, galvanized	A	302,000	173,000	475,000
Castor Set, polyamide, Load capacity 1350 kg / castor set	A	192,000	15,000	207,000
Heavy-duty Castor Set, polyamide, Load capacity 2550 kg / castor set	A	379,000	15,000	394,000
Skip Body Welded Oil and Watertight	A	121,000	0,000	121,000
Traverse For Stacking Tipplers Type BKT	Category	Price	Freight charges	Price including freight charges
BKT 30, painted	A	368,-	291,-	659,-
Traverse Stand Type TS, hot-dip galvanized	A	78,-	8,-	86,-
BKT 55, painted	A	390,-	291,-	681,-
Traverse Stand Type TS, hot-dip galvanized	A	78,-	9,-	87,-
BKT 70, painted	A	390,-	291,-	681,-
Traverse Stand Type TS, hot-dip galvanized	A	78,-	9,-	87,-
BKT 90, painted	A	392,-	291,-	683,-
Traverse Stand Type TS, hot-dip galvanized	A	78,-	9,-	87,-
BKT 150, painted	A	631,-	291,-	922,-
Traverse Stand Type TS, hot-dip galvanized	A	78,-	9,-	87,-
BKT 200, painted	A	696,-	291,-	987,-
Traverse Stand Type TS, hot-dip galvanized	A	78,-	9,-	87,-
Shovel Type BSE	Category	Price	Freight charges	Price including freight charges
BSE 50, painted	A	1486,-	426,-	1912,-
BSE 75, painted	A	1769,-	426,-	2195,-
BSE 100, painted	A	2219,-	515,-	2734,-
BSE 150, painted	A	2507,-	515,-	3022,-
BSE 200, painted	A	2786,-	753,-	3539,-
BSE 250, painted	A	3433,-	807,-	4240,-

Prices in EUR, valid EXW DE-46354 Südlohn, DE-38820 Halberstadt, unpacked
Freight charges valid CPT Romania, islands and oversea territories excluded

Price List 0726 en-RO

Forklift Truck Attachments



Shovel Type BSI	Category	Price	Freight charges	Price including freight charges
BSI 50, painted	A	1257,-	291,-	1548,-
BSI 75, painted	A	1424,-	426,-	1850,-
BSI 100, painted	A	1786,-	426,-	2212,-
Stacking Tipper Type BSK	Category	Price	Freight charges	Price including freight charges
BSK 30, painted	A	265,-	173,-	438,-
Lid, galvanized	A	69,-	12,-	81,-
Castor Set, polyamide, Load capacity 1350 kg / castor set	A	192,-	15,-	207,-
Skip Body Welded Oil and Watertight	A	78,-	0,-	78,-
Set of 5 self-adhesive stickers with symbols for: glass, paper, plastic, metal, residual waste	A	29,-	on request	on request
BSK 30, hot-dip galvanized	A	320,-	173,-	493,-
Lid, galvanized	A	69,-	12,-	81,-
Castor Set, polyamide, Load capacity 1350 kg / castor set	A	192,-	15,-	207,-
Skip Body Welded Oil and Watertight	A	78,-	0,-	78,-
Set of 5 self-adhesive stickers with symbols for: glass, paper, plastic, metal, residual waste	A	29,-	on request	on request
BSK 55, painted	A	332,-	173,-	505,-
Lid, galvanized	A	98,-	15,-	113,-
Castor Set, polyamide, Load capacity 1350 kg / castor set	A	192,-	15,-	207,-
Skip Body Welded Oil and Watertight	A	78,-	0,-	78,-
Set of 5 self-adhesive stickers with symbols for: glass, paper, plastic, metal, residual waste	A	29,-	on request	on request
BSK 55, hot-dip galvanized	A	405,-	173,-	578,-
Lid, galvanized	A	98,-	15,-	113,-
Castor Set, polyamide, Load capacity 1350 kg / castor set	A	192,-	15,-	207,-
Skip Body Welded Oil and Watertight	A	78,-	0,-	78,-
Set of 5 self-adhesive stickers with symbols for: glass, paper, plastic, metal, residual waste	A	29,-	on request	on request
BSK 70, painted	A	352,-	173,-	525,-
Lid, galvanized	A	122,-	15,-	137,-
Castor Set, polyamide, Load capacity 1350 kg / castor set	A	192,-	15,-	207,-
Skip Body Welded Oil and Watertight	A	78,-	0,-	78,-
Set of 5 self-adhesive stickers with symbols for: glass, paper, plastic, metal, residual waste	A	29,-	on request	on request
BSK 70, hot-dip galvanized	A	457,-	173,-	630,-
Lid, galvanized	A	122,-	15,-	137,-
Castor Set, polyamide, Load capacity 1350 kg / castor set	A	192,-	15,-	207,-
Skip Body Welded Oil and Watertight	A	78,-	0,-	78,-
Set of 5 self-adhesive stickers with symbols for: glass, paper, plastic, metal, residual waste	A	29,-	on request	on request
BSK 90, painted	A	379,-	173,-	552,-
Lid, galvanized	A	166,-	18,-	184,-
Castor Set, polyamide, Load capacity 1350 kg / castor set	A	192,-	15,-	207,-
Skip Body Welded Oil and Watertight	A	78,-	0,-	78,-
Set of 5 self-adhesive stickers with symbols for: glass, paper, plastic, metal, residual waste	A	29,-	on request	on request
BSK 90, hot-dip galvanized	A	487,-	291,-	778,-
Lid, galvanized	A	166,-	18,-	184,-
Castor Set, polyamide, Load capacity 1350 kg / castor set	A	192,-	15,-	207,-
Skip Body Welded Oil and Watertight	A	78,-	0,-	78,-
Set of 5 self-adhesive stickers with symbols for: glass, paper, plastic, metal, residual waste	A	29,-	on request	on request
BSK 150, painted	A	871,-	291,-	1162,-

Prices in EUR, valid EXW DE-46354 Südlohn, DE-38820 Halberstadt, unpacked
Freight charges valid CPT Romania, islands and oversea territories excluded

Price List 0726 en-RO

Forklift Truck Attachments



Stacking Tipper Type BSK	Category	Price	Freight charges	Price including freight charges
Lid, galvanized	A	223,-	21,-	244,-
Castor Set, polyamide, Load capacity 1350 kg / castor set	A	192,-	15,-	207,-
Skip Body Welded Oil and Watertight	A	121,-	0,-	121,-
Set of 5 self-adhesive stickers with symbols for: glass, paper, plastic, metal, residual waste	A	29,-	on request	on request
BSK 150, hot-dip galvanized	A	1019,-	291,-	1310,-
Lid, galvanized	A	223,-	21,-	244,-
Castor Set, polyamide, Load capacity 1350 kg / castor set	A	192,-	15,-	207,-
Skip Body Welded Oil and Watertight	A	121,-	0,-	121,-
Set of 5 self-adhesive stickers with symbols for: glass, paper, plastic, metal, residual waste	A	29,-	on request	on request
BSK 200, painted	A	934,-	291,-	1225,-
Lid, galvanized	A	284,-	26,-	310,-
Castor Set, polyamide, Load capacity 1350 kg / castor set	A	192,-	15,-	207,-
Skip Body Welded Oil and Watertight	A	121,-	0,-	121,-
Set of 5 self-adhesive stickers with symbols for: glass, paper, plastic, metal, residual waste	A	29,-	on request	on request
BSK 200, hot-dip galvanized	A	1169,-	291,-	1460,-
Lid, galvanized	A	284,-	26,-	310,-
Castor Set, polyamide, Load capacity 1350 kg / castor set	A	192,-	15,-	207,-
Skip Body Welded Oil and Watertight	A	121,-	0,-	121,-
Set of 5 self-adhesive stickers with symbols for: glass, paper, plastic, metal, residual waste	A	29,-	on request	on request
Lattice Tilting Container Type BSK-G	Category	Price	Freight charges	Price including freight charges
BSK-G 90, painted	A	344,-	173,-	517,-
Lid, galvanized	A	166,-	18,-	184,-
Castor Set, polyamide, Load capacity 1350 kg / castor set	A	192,-	15,-	207,-
BSK-G 90, hot-dip galvanized	A	419,-	173,-	592,-
Lid, galvanized	A	166,-	18,-	184,-
Castor Set, polyamide, Load capacity 1350 kg / castor set	A	192,-	15,-	207,-
Swarf Stacking Tipper Type BSL	Category	Price	Freight charges	Price including freight charges
BSL 30, painted	A	590,-	173,-	763,-
Lid, galvanized	A	69,-	12,-	81,-
Castor Set, polyamide, Load capacity 1350 kg / castor set	A	192,-	15,-	207,-
BSL 30, hot-dip galvanized	A	679,-	173,-	852,-
Lid, galvanized	A	69,-	12,-	81,-
Castor Set, polyamide, Load capacity 1350 kg / castor set	A	192,-	15,-	207,-
BSL 55, painted	A	726,-	291,-	1017,-
Lid, galvanized	A	98,-	15,-	113,-
Castor Set, polyamide, Load capacity 1350 kg / castor set	A	192,-	15,-	207,-
BSL 55, hot-dip galvanized	A	852,-	291,-	1143,-
Lid, galvanized	A	98,-	15,-	113,-
Castor Set, polyamide, Load capacity 1350 kg / castor set	A	192,-	15,-	207,-
BSL 70, painted	A	763,-	291,-	1054,-
Lid, galvanized	A	122,-	15,-	137,-
Castor Set, polyamide, Load capacity 1350 kg / castor set	A	192,-	15,-	207,-
BSL 70, hot-dip galvanized	A	912,-	291,-	1203,-

Prices in EUR, valid EXW DE-46354 Südlohn, DE-38820 Halberstadt, unpacked
Freight charges valid CPT Romania, islands and oversea territories excluded

Price List 0726 en-RO

Forklift Truck Attachments



Swarf Stacking Tipper Type BSL	Category	Price	Freight charges	Price including freight charges
Lid, galvanized	A	122,-	15,-	137,-
Castor Set, polyamide, Load capacity 1350 kg / castor set	A	192,-	15,-	207,-
BSL 90, painted	A	830,-	291,-	1121,-
Lid, galvanized	A	166,-	18,-	184,-
Castor Set, polyamide, Load capacity 1350 kg / castor set	A	192,-	15,-	207,-
BSL 90, hot-dip galvanized	A	1004,-	291,-	1295,-
Lid, galvanized	A	166,-	18,-	184,-
Castor Set, polyamide, Load capacity 1350 kg / castor set	A	192,-	15,-	207,-
BSL 150, painted	A	1227,-	291,-	1518,-
Lid, galvanized	A	223,-	21,-	244,-
Castor Set, polyamide, Load capacity 1350 kg / castor set	A	192,-	15,-	207,-
BSL 150, hot-dip galvanized	A	1490,-	426,-	1916,-
Lid, galvanized	A	223,-	21,-	244,-
Castor Set, polyamide, Load capacity 1350 kg / castor set	A	192,-	15,-	207,-
BSL 200, painted	A	1327,-	426,-	1753,-
Lid, galvanized	A	284,-	26,-	310,-
Castor Set, polyamide, Load capacity 1350 kg / castor set	A	192,-	15,-	207,-
BSL 200, hot-dip galvanized	A	1792,-	426,-	2218,-
Lid, galvanized	A	284,-	26,-	310,-
Castor Set, polyamide, Load capacity 1350 kg / castor set	A	192,-	15,-	207,-
Shovel Type BSM	Category	Price	Freight charges	Price including freight charges
BSM 50, painted	A	1486,-	291,-	1777,-
BSM 75, painted	A	1769,-	426,-	2195,-
BSM 100, painted	A	2219,-	515,-	2734,-
BSM 150, painted	A	2507,-	515,-	3022,-
BSM 200, painted	A	2786,-	753,-	3539,-
BSM 250, painted	A	3433,-	807,-	4240,-
Swarf Stacking Tipper Type BSS	Category	Price	Freight charges	Price including freight charges
BSS 30, painted	A	422,-	173,-	595,-
Lid, galvanized	A	69,-	12,-	81,-
Castor Set, polyamide, Load capacity 1350 kg / castor set	A	192,-	15,-	207,-
BSS 30, hot-dip galvanized	A	490,-	173,-	663,-
Lid, galvanized	A	69,-	12,-	81,-
Castor Set, polyamide, Load capacity 1350 kg / castor set	A	192,-	15,-	207,-
BSS 55, painted	A	523,-	173,-	696,-
Lid, galvanized	A	98,-	15,-	113,-
Castor Set, polyamide, Load capacity 1350 kg / castor set	A	192,-	15,-	207,-
BSS 55, hot-dip galvanized	A	648,-	173,-	821,-
Lid, galvanized	A	98,-	15,-	113,-
Castor Set, polyamide, Load capacity 1350 kg / castor set	A	192,-	15,-	207,-
BSS 70, painted	A	561,-	173,-	734,-
Lid, galvanized	A	122,-	15,-	137,-
Castor Set, polyamide, Load capacity 1350 kg / castor set	A	192,-	15,-	207,-

Prices in EUR, valid EXW DE-46354 Südlohn, DE-38820 Halberstadt, unpacked
Freight charges valid CPT Romania, islands and oversea territories excluded

Price List 0726 en-R0

Forklift Truck Attachments



Swarf Stacking Tipper Type BSS	Category	Price	Freight charges	Price including freight charges
BSS 70, hot-dip galvanized	A	708,-	291,-	999,-
Lid, galvanized	A	122,-	15,-	137,-
Castor Set, polyamide, Load capacity 1350 kg / castor set	A	192,-	15,-	207,-
BSS 90, painted	A	597,-	291,-	888,-
Lid, galvanized	A	166,-	18,-	184,-
Castor Set, polyamide, Load capacity 1350 kg / castor set	A	192,-	15,-	207,-
BSS 90, hot-dip galvanized	A	765,-	291,-	1056,-
Lid, galvanized	A	166,-	18,-	184,-
Castor Set, polyamide, Load capacity 1350 kg / castor set	A	192,-	15,-	207,-
BSS 150, painted	A	907,-	291,-	1198,-
Lid, galvanized	A	223,-	21,-	244,-
Castor Set, polyamide, Load capacity 1350 kg / castor set	A	192,-	15,-	207,-
BSS 150, hot-dip galvanized	A	1166,-	291,-	1457,-
Lid, galvanized	A	223,-	21,-	244,-
Castor Set, polyamide, Load capacity 1350 kg / castor set	A	192,-	15,-	207,-
BSS 200, painted	A	1024,-	291,-	1315,-
Lid, galvanized	A	284,-	26,-	310,-
Castor Set, polyamide, Load capacity 1350 kg / castor set	A	192,-	15,-	207,-
BSS 200, hot-dip galvanized	A	1371,-	426,-	1797,-
Lid, galvanized	A	284,-	26,-	310,-
Castor Set, polyamide, Load capacity 1350 kg / castor set	A	192,-	15,-	207,-

Traverse For Stacking Tipper Type BST	Category	Price	Freight charges	Price including freight charges
BST 30, painted	A	332,-	173,-	505,-
Traverse Stand Type TS, hot-dip galvanized	A	78,-	8,-	86,-
BST 55, painted	A	354,-	173,-	527,-
Traverse Stand Type TS, hot-dip galvanized	A	78,-	9,-	87,-
BST 70, painted	A	354,-	173,-	527,-
Traverse Stand Type TS, hot-dip galvanized	A	78,-	9,-	87,-
BST 90, painted	A	368,-	173,-	541,-
Traverse Stand Type TS, hot-dip galvanized	A	78,-	9,-	87,-
BST 150, painted	A	551,-	291,-	842,-
Traverse Stand Type TS, hot-dip galvanized	A	78,-	9,-	87,-
BST 200, painted	A	612,-	291,-	903,-
Traverse Stand Type TS, hot-dip galvanized	A	78,-	9,-	87,-

Traverse For Stacking Tipper Type BST-H	Category	Price	Freight charges	Price including freight charges
BST-H 30, painted	A	2127,-	291,-	2418,-
Traverse Stand Type TS, hot-dip galvanized	A	78,-	8,-	86,-
BST-H 55, painted	A	2257,-	291,-	2548,-
Traverse Stand Type TS, hot-dip galvanized	A	78,-	8,-	86,-
BST-H 70, painted	A	2257,-	291,-	2548,-
Traverse Stand Type TS, hot-dip galvanized	A	78,-	8,-	86,-
BST-H 90, painted	A	2374,-	291,-	2665,-
Traverse Stand Type TS, hot-dip galvanized	A	78,-	8,-	86,-

Prices in EUR, valid EXW DE-46354 Südlohn, DE-38820 Halberstadt, unpacked
 Freight charges valid CPT Romania, islands and oversea territories excluded

Price List 0726 en-RO

Forklift Truck Attachments



Traverse For Stacking Tipper Type BST-H	Category	Price	Freight charges	Price including freight charges
BST-H 150, painted	A	2700,-	426,-	3126,-
Traverse Stand Type TS, hot-dip galvanized	A	78,-	9,-	87,-
BST-H 200, painted	A	2972,-	426,-	3398,-
Traverse Stand Type TS, hot-dip galvanized	A	78,-	9,-	87,-

Traverse For Stacking Tipper Type BST-U	Category	Price	Freight charges	Price including freight charges
BST-U 30, painted	A	956,-	291,-	1247,-
BST-U 55, painted	A	1020,-	291,-	1311,-
BST-U 70, painted	A	1020,-	291,-	1311,-
BST-U 90, painted	A	1047,-	291,-	1338,-

Beam Traverse Type BT	Category	Price	Freight charges	Price including freight charges
BT 3001, painted	A	1877,-	372,-	2249,-
Support frames, hot-dip galvanized	A	276,-	173,-	449,-
BT 3002, painted	A	2117,-	372,-	2489,-
Support frames, hot-dip galvanized	A	276,-	173,-	449,-
BT 3003, painted	A	2276,-	372,-	2648,-
Support frames, hot-dip galvanized	A	276,-	173,-	449,-
BT 3005, painted	A	2596,-	508,-	3104,-
Support frames, hot-dip galvanized	A	276,-	173,-	449,-

Filling Hopper Type BTM	Category	Price	Freight charges	Price including freight charges
BTM, painted	A	2461,-	515,-	2976,-

Filling Hopper Type BTS	Category	Price	Freight charges	Price including freight charges
BTS, painted	A	2107,-	515,-	2622,-

Bin Type C	Category	Price	Freight charges	Price including freight charges
C 30, painted	A	422,-	173,-	595,-
C 30, hot-dip galvanized	A	463,-	173,-	636,-
C 80, painted	A	607,-	173,-	780,-
C 80, hot-dip galvanized	A	653,-	173,-	826,-

Swarf Bin Type CS	Category	Price	Freight charges	Price including freight charges
CS 30, painted	A	486,-	173,-	659,-
CS 30, hot-dip galvanized	A	532,-	173,-	705,-
CS 80, painted	A	717,-	173,-	890,-
CS 80, hot-dip galvanized	A	766,-	291,-	1057,-

Shovel Type DGS	Category	Price	Freight charges	Price including freight charges
DGS 500, painted	A	2655,-	426,-	3081,-
DGS 700, painted	A	2685,-	426,-	3111,-
DGS 950, painted	A	2723,-	515,-	3238,-
DGS 1200, painted	A	2924,-	515,-	3439,-

Prices in EUR, valid EXW DE-46354 Südlohn, DE-38820 Halberstadt, unpacked
Freight charges valid CPT Romania, islands and oversea territories excluded

Price List 0726 en-RO

Forklift Truck Attachments



Tilting Container Type DUO	Category	Price	Freight charges	Price including freight charges
DUO, painted	A	1867,-	426,-	2293,-
Lid, galvanized	A	236,-	27,-	263,-
Castor Set, polyamide, Load capacity 1350 kg / castor set	A	192,-	15,-	207,-
Set of 5 self-adhesive stickers with symbols for: glass, paper, plastic, metal, residual waste	A	29,-	on request	on request
Tilting Container Type EXPO®	Category	Price	Freight charges	Price including freight charges
EXPO 150, painted	A	608,-	173,-	781,-
Lid, galvanized	A	174,-	18,-	192,-
Castor Set, polyamide, Load capacity 1050 kg / castor set	A	156,-	15,-	171,-
Skip Body Welded Oil and Watertight	A	78,-	0,-	78,-
EXPO 150, hot-dip galvanized	A	717,-	173,-	890,-
Lid, galvanized	A	174,-	18,-	192,-
Castor Set, polyamide, Load capacity 1050 kg / castor set	A	156,-	15,-	171,-
Skip Body Welded Oil and Watertight	A	78,-	0,-	78,-
EXPO 225, painted	A	662,-	173,-	835,-
Lid, galvanized	A	174,-	18,-	192,-
Castor Set, polyamide, Load capacity 1050 kg / castor set	A	156,-	15,-	171,-
Skip Body Welded Oil and Watertight	A	78,-	0,-	78,-
EXPO 225, hot-dip galvanized	A	785,-	173,-	958,-
Lid, galvanized	A	174,-	18,-	192,-
Castor Set, polyamide, Load capacity 1050 kg / castor set	A	156,-	15,-	171,-
Skip Body Welded Oil and Watertight	A	78,-	0,-	78,-
EXPO 275, painted	A	691,-	173,-	864,-
Lid, galvanized	A	174,-	18,-	192,-
Castor Set, polyamide, Load capacity 1050 kg / castor set	A	156,-	15,-	171,-
Skip Body Welded Oil and Watertight	A	78,-	0,-	78,-
EXPO 275, hot-dip galvanized	A	826,-	173,-	999,-
Lid, galvanized	A	174,-	18,-	192,-
Castor Set, polyamide, Load capacity 1050 kg / castor set	A	156,-	15,-	171,-
Skip Body Welded Oil and Watertight	A	78,-	0,-	78,-
EXPO 300, painted	A	623,-	291,-	914,-
Lid, galvanized	A	174,-	18,-	192,-
Castor Set, polyamide, Load capacity 1350 kg / castor set	A	192,-	15,-	207,-
Skip Body Welded Oil and Watertight	A	78,-	0,-	78,-
EXPO 300, hot-dip galvanized	A	798,-	291,-	1089,-
Lid, galvanized	A	174,-	18,-	192,-
Castor Set, polyamide, Load capacity 1350 kg / castor set	A	192,-	15,-	207,-
Skip Body Welded Oil and Watertight	A	78,-	0,-	78,-
EXPO 600, painted	A	733,-	291,-	1024,-
Lid, galvanized	A	196,-	22,-	218,-
Castor Set, polyamide, Load capacity 1350 kg / castor set	A	192,-	15,-	207,-
Skip Body Welded Oil and Watertight	A	78,-	0,-	78,-
EXPO 600, hot-dip galvanized	A	879,-	291,-	1170,-
Lid, galvanized	A	196,-	22,-	218,-
Castor Set, polyamide, Load capacity 1350 kg / castor set	A	192,-	15,-	207,-
Skip Body Welded Oil and Watertight	A	78,-	0,-	78,-

Prices in EUR, valid EXW DE-46354 Südlohn, DE-38820 Halberstadt, unpacked
Freight charges valid CPT Romania, islands and oversea territories excluded

Price List 0726 en-RO

Forklift Truck Attachments



Tilting Container Type EXPO®	Category	Price	Freight charges	Price including freight charges
EXPO 900, painted	A	818,-	291,-	1109,-
Lid, galvanized	A	223,-	27,-	250,-
Castor Set, polyamide, Load capacity 1350 kg / castor set	A	192,-	15,-	207,-
Skip Body Welded Oil and Watertight	A	78,-	0,-	78,-
EXPO 900, hot-dip galvanized	A	964,-	291,-	1255,-
Lid, galvanized	A	223,-	27,-	250,-
Castor Set, polyamide, Load capacity 1350 kg / castor set	A	192,-	15,-	207,-
Skip Body Welded Oil and Watertight	A	78,-	0,-	78,-
EXPO 1200, painted	A	885,-	426,-	1311,-
Lid, galvanized	A	223,-	26,-	249,-
Castor Set, polyamide, Load capacity 1350 kg / castor set	A	192,-	15,-	207,-
Skip Body Welded Oil and Watertight	A	121,-	0,-	121,-
EXPO 1200, hot-dip galvanized	A	1042,-	426,-	1468,-
Lid, galvanized	A	223,-	26,-	249,-
Castor Set, polyamide, Load capacity 1350 kg / castor set	A	192,-	15,-	207,-
Skip Body Welded Oil and Watertight	A	121,-	0,-	121,-
EXPO 1700, painted	A	1202,-	426,-	1628,-
Lid, galvanized	A	276,-	33,-	309,-
Castor Set, polyamide, Load capacity 1350 kg / castor set	A	192,-	15,-	207,-
Skip Body Welded Oil and Watertight	A	121,-	0,-	121,-
EXPO 1700, hot-dip galvanized	A	1435,-	426,-	1861,-
Lid, galvanized	A	276,-	33,-	309,-
Castor Set, polyamide, Load capacity 1350 kg / castor set	A	192,-	15,-	207,-
Skip Body Welded Oil and Watertight	A	121,-	0,-	121,-
EXPO 2100, painted	A	1325,-	426,-	1751,-
Lid, galvanized	A	360,-	36,-	396,-
Castor Set, polyamide, Load capacity 1350 kg / castor set	A	192,-	15,-	207,-
Skip Body Welded Oil and Watertight	A	121,-	0,-	121,-
EXPO 2100, hot-dip galvanized	A	1606,-	426,-	2032,-
Lid, galvanized	A	360,-	36,-	396,-
Castor Set, polyamide, Load capacity 1350 kg / castor set	A	192,-	15,-	207,-
Skip Body Welded Oil and Watertight	A	121,-	0,-	121,-
Swarf Tilting Container Type EXPO®-E	Category	Price	Freight charges	Price including freight charges
EXPO-E 150, painted	A	729,-	173,-	902,-
Lid, galvanized	A	174,-	18,-	192,-
Castor Set, polyamide, Load capacity 1050 kg / castor set	A	156,-	15,-	171,-
EXPO-E 150, hot-dip galvanized	A	837,-	173,-	1010,-
Lid, galvanized	A	174,-	18,-	192,-
Castor Set, polyamide, Load capacity 1050 kg / castor set	A	156,-	15,-	171,-
EXPO-E 225, painted	A	782,-	173,-	955,-
Lid, galvanized	A	174,-	18,-	192,-
Castor Set, polyamide, Load capacity 1050 kg / castor set	A	156,-	15,-	171,-
EXPO-E 225, hot-dip galvanized	A	907,-	173,-	1080,-
Lid, galvanized	A	174,-	18,-	192,-
Castor Set, polyamide, Load capacity 1050 kg / castor set	A	156,-	15,-	171,-

Prices in EUR, valid EXW DE-46354 Südlohn, DE-38820 Halberstadt, unpacked
Freight charges valid CPT Romania, islands and oversea territories excluded

Price List 0726 en-RO

Forklift Truck Attachments



Swarf Tilting Container Type EXPO®-E	Category	Price	Freight charges	Price including freight charges
EXPO-E 275, painted	A	812,-	173,-	985,-
Lid, galvanized	A	174,-	18,-	192,-
Castor Set, polyamide, Load capacity 1050 kg / castor set	A	156,-	15,-	171,-
EXPO-E 275, hot-dip galvanized	A	944,-	173,-	1117,-
Lid, galvanized	A	174,-	18,-	192,-
Castor Set, polyamide, Load capacity 1050 kg / castor set	A	156,-	15,-	171,-
EXPO-E 300, painted	A	744,-	291,-	1035,-
Lid, galvanized	A	174,-	18,-	192,-
Castor Set, polyamide, Load capacity 1350 kg / castor set	A	192,-	15,-	207,-
EXPO-E 300, hot-dip galvanized	A	919,-	291,-	1210,-
Lid, galvanized	A	174,-	18,-	192,-
Castor Set, polyamide, Load capacity 1350 kg / castor set	A	192,-	15,-	207,-
EXPO-E 600, painted	A	853,-	291,-	1144,-
Lid, galvanized	A	196,-	22,-	218,-
Castor Set, polyamide, Load capacity 1350 kg / castor set	A	192,-	15,-	207,-
EXPO-E 600, hot-dip galvanized	A	999,-	291,-	1290,-
Lid, galvanized	A	196,-	22,-	218,-
Castor Set, polyamide, Load capacity 1350 kg / castor set	A	192,-	15,-	207,-
EXPO-E 900, painted	A	938,-	291,-	1229,-
Lid, galvanized	A	223,-	27,-	250,-
Castor Set, polyamide, Load capacity 1350 kg / castor set	A	192,-	15,-	207,-
EXPO-E 900, hot-dip galvanized	A	1085,-	291,-	1376,-
Lid, galvanized	A	223,-	27,-	250,-
Castor Set, polyamide, Load capacity 1350 kg / castor set	A	192,-	15,-	207,-
EXPO-E 1200, painted	A	1048,-	426,-	1474,-
Lid, galvanized	A	223,-	26,-	249,-
Castor Set, polyamide, Load capacity 1350 kg / castor set	A	192,-	15,-	207,-
EXPO-E 1200, hot-dip galvanized	A	1204,-	426,-	1630,-
Lid, galvanized	A	223,-	26,-	249,-
Castor Set, polyamide, Load capacity 1350 kg / castor set	A	192,-	15,-	207,-
EXPO-E 1700, painted	A	1365,-	426,-	1791,-
Lid, galvanized	A	276,-	33,-	309,-
Castor Set, polyamide, Load capacity 1350 kg / castor set	A	192,-	15,-	207,-
EXPO-E 1700, hot-dip galvanized	A	1598,-	426,-	2024,-
Lid, galvanized	A	276,-	33,-	309,-
Castor Set, polyamide, Load capacity 1350 kg / castor set	A	192,-	15,-	207,-
EXPO-E 2100, painted	A	1488,-	426,-	1914,-
Lid, galvanized	A	360,-	36,-	396,-
Castor Set, polyamide, Load capacity 1350 kg / castor set	A	192,-	15,-	207,-
EXPO-E 2100, hot-dip galvanized	A	1768,-	426,-	2194,-
Lid, galvanized	A	360,-	36,-	396,-
Castor Set, polyamide, Load capacity 1350 kg / castor set	A	192,-	15,-	207,-
Container With Drop Away Base Type FB	Category	Price	Freight charges	Price including freight charges
FB 500, painted	A	809,-	291,-	1100,-
Lid, galvanized	A	196,-	15,-	211,-

Prices in EUR, valid EXW DE-46354 Südlohn, DE-38820 Halberstadt, unpacked
Freight charges valid CPT Romania, islands and oversea territories excluded

Price List 0726 en-RO

Forklift Truck Attachments



Container With Drop Away Base Type FB	Category	Price	Freight charges	Price including freight charges
Castor Set, polyamide, Load capacity 1350 kg / castor set	A	192,-	15,-	207,-
Guiding Plates, galvanized	A	116,-	12,-	128,-
FB 500, hot-dip galvanized	A	994,-	291,-	1285,-
Lid, galvanized	A	196,-	15,-	211,-
Castor Set, polyamide, Load capacity 1350 kg / castor set	A	192,-	15,-	207,-
Guiding Plates, galvanized	A	116,-	12,-	128,-
FB 750, painted	A	880,-	291,-	1171,-
Lid, galvanized	A	196,-	15,-	211,-
Castor Set, polyamide, Load capacity 1350 kg / castor set	A	192,-	15,-	207,-
Guiding Plates, galvanized	A	116,-	12,-	128,-
FB 750, hot-dip galvanized	A	1075,-	291,-	1366,-
Lid, galvanized	A	196,-	15,-	211,-
Castor Set, polyamide, Load capacity 1350 kg / castor set	A	192,-	15,-	207,-
Guiding Plates, galvanized	A	116,-	12,-	128,-
FB 1000, painted	A	942,-	291,-	1233,-
Lid, galvanized	A	238,-	18,-	256,-
Castor Set, polyamide, Load capacity 1350 kg / castor set	A	192,-	15,-	207,-
Guiding Plates, galvanized	A	116,-	12,-	128,-
FB 1000, hot-dip galvanized	A	1157,-	291,-	1448,-
Lid, galvanized	A	238,-	18,-	256,-
Castor Set, polyamide, Load capacity 1350 kg / castor set	A	192,-	15,-	207,-
Guiding Plates, galvanized	A	116,-	12,-	128,-
FB 1500, painted	A	1105,-	426,-	1531,-
Lid, galvanized	A	351,-	21,-	372,-
Castor Set, polyamide, Load capacity 1350 kg / castor set	A	192,-	15,-	207,-
Guiding Plates, galvanized	A	116,-	12,-	128,-
FB 1500, hot-dip galvanized	A	1392,-	426,-	1818,-
Lid, galvanized	A	351,-	21,-	372,-
Castor Set, polyamide, Load capacity 1350 kg / castor set	A	192,-	15,-	207,-
Guiding Plates, galvanized	A	116,-	12,-	128,-
FB 2000, painted	A	1192,-	426,-	1618,-
Lid, galvanized	A	351,-	21,-	372,-
Castor Set, polyamide, Load capacity 1350 kg / castor set	A	192,-	15,-	207,-
Guiding Plates, galvanized	A	116,-	12,-	128,-
FB 2000, hot-dip galvanized	A	1512,-	426,-	1938,-
Lid, galvanized	A	351,-	21,-	372,-
Castor Set, polyamide, Load capacity 1350 kg / castor set	A	192,-	15,-	207,-
Guiding Plates, galvanized	A	116,-	12,-	128,-
Drum Tipper Type FD/L-HK	Category	Price	Freight charges	Price including freight charges
FD/L-HK, painted	B	2324,-	291,-	2615,-
FD/L-HK, hot-dip galvanized	B	2765,-	291,-	3056,-
Drum Tipper Type FD/L-K	Category	Price	Freight charges	Price including freight charges
FD/L-K, painted	B	2515,-	291,-	2806,-

Prices in EUR, valid EXW DE-46354 Südlohn, DE-38820 Halberstadt, unpacked
Freight charges valid CPT Romania, islands and oversea territories excluded

Price List 0726 en-RO

Forklift Truck Attachments



Drum Tipper Type FD/L-K	Category	Price	Freight charges	Price including freight charges
FD/L-K, hot-dip galvanized	B	2965,-	291,-	3256,-
Drum Tipper Type FD-H	Category	Price	Freight charges	Price including freight charges
FD-H, painted	B	2593,-	173,-	2766,-
FD-H, hot-dip galvanized	B	2828,-	173,-	3001,-
Drum Tipper Type FD-HK	Category	Price	Freight charges	Price including freight charges
FD-HK, painted	B	1997,-	173,-	2170,-
FD-HK, hot-dip galvanized	B	2237,-	173,-	2410,-
Drum Tipper Type FD-K	Category	Price	Freight charges	Price including freight charges
FD-K, painted	B	2188,-	173,-	2361,-
FD-K, hot-dip galvanized	B	2437,-	173,-	2610,-
Drum Tipper Type FD-SK	Category	Price	Freight charges	Price including freight charges
FD-SK, painted	B	1997,-	173,-	2170,-
FD-SK, hot-dip galvanized	B	2237,-	173,-	2410,-
Drum Jack Type FH	Category	Price	Freight charges	Price including freight charges
FH-I 120, painted	B	1645,-	173,-	1818,-
FH-I 120, hot-dip galvanized	B	1823,-	173,-	1996,-
FH-I 220, painted	B	1645,-	173,-	1818,-
FH-I 220, hot-dip galvanized	B	1852,-	173,-	2025,-
FH-II 120, painted	B	2402,-	173,-	2575,-
FH-II 120, hot-dip galvanized	B	2673,-	173,-	2846,-
FH-II 220, painted	B	2402,-	173,-	2575,-
FH-II 220, hot-dip galvanized	B	2729,-	173,-	2902,-
Drum Gripper Type FK	Category	Price	Freight charges	Price including freight charges
FK-I, painted	B	1251,-	173,-	1424,-
FK-I, hot-dip galvanized	B	1524,-	173,-	1697,-
FK-II, painted	B	1488,-	291,-	1779,-
FK-II, hot-dip galvanized	B	1882,-	291,-	2173,-
Drum Clamp Type FKL	Category	Price	Freight charges	Price including freight charges
FKL, painted	B	480,-	118,-	598,-
Drum Tipper Type FLEX-HK	Category	Price	Freight charges	Price including freight charges
FLEX-HK, painted	B	2164,-	173,-	2337,-
Shelf Drum Pallet RP, galvanized	B	145,-	118,-	263,-
FLEX-HK, hot-dip galvanized	B	2338,-	173,-	2511,-
Shelf Drum Pallet RP, galvanized	B	145,-	118,-	263,-

Prices in EUR, valid EXW DE-46354 Südlohn, DE-38820 Halberstadt, unpacked
Freight charges valid CPT Romania, islands and oversea territories excluded

Price List 0726 en-R0

Forklift Truck Attachments



Drum Tipper Type FLEX-K	Category	Price	Freight charges	Price including freight charges
FLEX-K, painted	B	2363,-	173,-	2536,-
Shelf Drum Pallet RP, galvanized	B	145,-	118,-	263,-
FLEX-K, hot-dip galvanized	B	2533,-	173,-	2706,-
Shelf Drum Pallet RP, galvanized	B	145,-	118,-	263,-
Drum Traverse Type FT/M	Category	Price	Freight charges	Price including freight charges
FT/M, galvanized	B	316,-	118,-	434,-
Drum Traverse Type FT/MK	Category	Price	Freight charges	Price including freight charges
FT/MK, galvanized	B	362,-	118,-	480,-
Drum Turner Type FW	Category	Price	Freight charges	Price including freight charges
FW-I, painted	B	1389,-	291,-	1680,-
FW-I, hot-dip galvanized	B	1803,-	291,-	2094,-
FW-II, painted	B	1945,-	291,-	2236,-
FW-II, hot-dip galvanized	B	2533,-	291,-	2824,-
Drum Turning Claw Type FWZ	Category	Price	Freight charges	Price including freight charges
FWZ-60, painted	B	1355,-	173,-	1528,-
FWZ-60, galvanized	B	1335,-	173,-	1508,-
FWZ-200, painted	B	1397,-	173,-	1570,-
FWZ-200, galvanized	B	1376,-	173,-	1549,-
Fork Extensions Type GG	Category	Price	Freight charges	Price including freight charges
GG 80/40 (1600 mm long), painted	A	541,-	173,-	714,-
GG 80/40 (1800 mm long), painted	A	570,-	173,-	743,-
GG 80/40 (2000 mm long), painted	A	601,-	173,-	774,-
GG 100/40 (1600 mm long), painted	A	541,-	173,-	714,-
GG 100/40 (1800 mm long), painted	A	570,-	173,-	743,-
GG 100/40 (2000 mm long), painted	A	601,-	173,-	774,-
GG 100/45 (1600 mm long), painted	A	541,-	173,-	714,-
GG 100/45 (1800 mm long), painted	A	570,-	173,-	743,-
GG 100/45 (2000 mm long), painted	A	601,-	173,-	774,-
GG 100/50 (1600 mm long), painted	A	541,-	173,-	714,-
GG 100/50 (1800 mm long), painted	A	570,-	173,-	743,-
GG 100/50 (2000 mm long), painted	A	601,-	291,-	892,-
GG 120/40 (1600 mm long), painted	A	570,-	173,-	743,-
GG 120/40 (1800 mm long), painted	A	601,-	291,-	892,-
GG 120/40 (2000 mm long), painted	A	645,-	291,-	936,-
GG 120/50 (1600 mm long), painted	A	570,-	173,-	743,-
GG 120/50 (1800 mm long), painted	A	601,-	291,-	892,-
GG 120/50 (2000 mm long), painted	A	645,-	291,-	936,-
GG 125/45 (1600 mm long), painted	A	570,-	173,-	743,-
GG 125/45 (1800 mm long), painted	A	601,-	291,-	892,-
GG 125/45 (2000 mm long), painted	A	645,-	291,-	936,-

Prices in EUR, valid EXW DE-46354 Südlohn, DE-38820 Halberstadt, unpacked
Freight charges valid CPT Romania, islands and oversea territories excluded

Price List 0726 en-R0

Forklift Truck Attachments



Fork Extensions Type GG	Category	Price	Freight charges	Price including freight charges
GG 125/50 (1600 mm long), painted	A	570,-	173,-	743,-
GG 125/50 (1800 mm long), painted	A	601,-	291,-	892,-
GG 125/50 (2000 mm long), painted	A	645,-	291,-	936,-
GG 150/50 (1600 mm long), painted	A	634,-	291,-	925,-
GG 150/50 (1800 mm long), painted	A	680,-	291,-	971,-
GG 150/50 (2000 mm long), painted	A	713,-	291,-	1004,-
GG 150/70 (1600 mm long), painted	A	634,-	291,-	925,-
GG 150/70 (1800 mm long), painted	A	680,-	291,-	971,-
GG 150/70 (2000 mm long), painted	A	713,-	291,-	1004,-

Fork Extensions Type GO	Category	Price	Freight charges	Price including freight charges
GO 80/40 (1600 mm long), painted	A	390,-	173,-	563,-
GO 80/40 (1800 mm long), painted	A	396,-	173,-	569,-
GO 80/40 (2000 mm long), painted	A	411,-	173,-	584,-
GO 100/40 (1600 mm long), painted	A	390,-	173,-	563,-
GO 100/40 (1800 mm long), painted	A	396,-	173,-	569,-
GO 100/40 (2000 mm long), painted	A	411,-	173,-	584,-
GO 100/45 (1600 mm long), painted	A	390,-	173,-	563,-
GO 100/45 (1800 mm long), painted	A	396,-	173,-	569,-
GO 100/45 (2000 mm long), painted	A	411,-	173,-	584,-
GO 100/50 (1600 mm long), painted	A	390,-	173,-	563,-
GO 100/50 (1800 mm long), painted	A	396,-	173,-	569,-
GO 100/50 (2000 mm long), painted	A	411,-	173,-	584,-
GO 120/40 (1600 mm long), painted	A	396,-	173,-	569,-
GO 120/40 (1800 mm long), painted	A	418,-	173,-	591,-
GO 120/40 (2000 mm long), painted	A	435,-	173,-	608,-
GO 120/50 (1600 mm long), painted	A	396,-	173,-	569,-
GO 120/50 (1800 mm long), painted	A	418,-	173,-	591,-
GO 120/50 (2000 mm long), painted	A	435,-	173,-	608,-
GO 125/45 (1600 mm long), painted	A	396,-	173,-	569,-
GO 125/45 (1800 mm long), painted	A	418,-	173,-	591,-
GO 125/45 (2000 mm long), painted	A	435,-	173,-	608,-
GO 125/50 (1600 mm long), painted	A	396,-	173,-	569,-
GO 125/50 (1800 mm long), painted	A	418,-	173,-	591,-
GO 125/50 (2000 mm long), painted	A	435,-	173,-	608,-
GO 150/50 (1600 mm long), painted	A	475,-	173,-	648,-
GO 150/50 (1800 mm long), painted	A	516,-	173,-	689,-
GO 150/50 (2000 mm long), painted	A	555,-	173,-	728,-
GO 150/70 (1600 mm long), painted	A	475,-	173,-	648,-
GO 150/70 (1800 mm long), painted	A	516,-	173,-	689,-
GO 150/70 (2000 mm long), painted	A	555,-	173,-	728,-

Tilting Container Type GU	Category	Price	Freight charges	Price including freight charges
GU 300, painted	A	655,-	291,-	946,-
Lid, galvanized	A	98,-	18,-	116,-

Prices in EUR, valid EXW DE-46354 Südlohn, DE-38820 Halberstadt, unpacked
Freight charges valid CPT Romania, islands and oversea territories excluded

Price List 0726 en-RO

Forklift Truck Attachments



Tilting Container Type GU	Category	Price	Freight charges	Price including freight charges
Castor Set, polyamide, Load capacity 1350 kg / castor set	A	192,-	15,-	207,-
Skip Body Welded Oil and Watertight	A	78,-	0,-	78,-
Crane lifting eyes for use with a crane	A	106,-	8,-	114,-
Support legs, 100 mm ground leeway	A	70,-	8,-	78,-
GU 300, hot-dip galvanized	A	866,-	291,-	1157,-
Lid, galvanized	A	98,-	18,-	116,-
Castor Set, polyamide, Load capacity 1350 kg / castor set	A	192,-	15,-	207,-
Skip Body Welded Oil and Watertight	A	78,-	0,-	78,-
Crane lifting eyes for use with a crane	A	106,-	8,-	114,-
Support legs, 100 mm ground leeway	A	70,-	8,-	78,-
GU 500, painted	A	891,-	291,-	1182,-
Lid, galvanized	A	98,-	18,-	116,-
Castor Set, polyamide, Load capacity 1350 kg / castor set	A	192,-	15,-	207,-
Skip Body Welded Oil and Watertight	A	78,-	0,-	78,-
Adjustable dumping brake	A	464,-	10,-	474,-
Crane lifting eyes for use with a crane	A	106,-	8,-	114,-
Support legs, 100 mm ground leeway	A	70,-	8,-	78,-
GU 500, hot-dip galvanized	A	1160,-	291,-	1451,-
Lid, galvanized	A	98,-	18,-	116,-
Castor Set, polyamide, Load capacity 1350 kg / castor set	A	192,-	15,-	207,-
Skip Body Welded Oil and Watertight	A	78,-	0,-	78,-
Adjustable dumping brake	A	464,-	10,-	474,-
Crane lifting eyes for use with a crane	A	106,-	8,-	114,-
Support legs, 100 mm ground leeway	A	70,-	8,-	78,-
GU 750, painted	A	1052,-	291,-	1343,-
Lid, galvanized	A	139,-	26,-	165,-
Castor Set, polyamide, Load capacity 1350 kg / castor set	A	192,-	15,-	207,-
Skip Body Welded Oil and Watertight	A	78,-	0,-	78,-
Adjustable dumping brake	A	464,-	10,-	474,-
Crane lifting eyes for use with a crane	A	106,-	8,-	114,-
Support legs, 100 mm ground leeway	A	70,-	8,-	78,-
GU 750, hot-dip galvanized	A	1371,-	291,-	1662,-
Lid, galvanized	A	139,-	26,-	165,-
Castor Set, polyamide, Load capacity 1350 kg / castor set	A	192,-	15,-	207,-
Skip Body Welded Oil and Watertight	A	78,-	0,-	78,-
Adjustable dumping brake	A	464,-	10,-	474,-
Crane lifting eyes for use with a crane	A	106,-	8,-	114,-
Support legs, 100 mm ground leeway	A	70,-	8,-	78,-
GU 1000, painted	A	1163,-	291,-	1454,-
Lid, galvanized	A	192,-	27,-	219,-
Castor Set, polyamide, Load capacity 1350 kg / castor set	A	192,-	15,-	207,-
Skip Body Welded Oil and Watertight	A	121,-	0,-	121,-
Adjustable dumping brake	A	464,-	10,-	474,-
Crane lifting eyes for use with a crane	A	106,-	8,-	114,-
Support legs, 100 mm ground leeway	A	70,-	8,-	78,-
GU 1000, hot-dip galvanized	A	1647,-	426,-	2073,-

Prices in EUR, valid EXW DE-46354 Südlohn, DE-38820 Halberstadt, unpacked
Freight charges valid CPT Romania, islands and oversea territories excluded

Price List 0726 en-RO

Forklift Truck Attachments



Tilting Container Type GU	Category	Price	Freight charges	Price including freight charges
Lid, galvanized	A	192,-	27,-	219,-
Castor Set, polyamide, Load capacity 1350 kg / castor set	A	192,-	15,-	207,-
Skip Body Welded Oil and Watertight	A	121,-	0,-	121,-
Adjustable dumping brake	A	464,-	10,-	474,-
Crane lifting eyes for use with a crane	A	106,-	8,-	114,-
Support legs, 100 mm ground leeway	A	70,-	8,-	78,-
GU 1500, painted	A	1357,-	426,-	1783,-
Lid, galvanized	A	192,-	27,-	219,-
Castor Set, polyamide, Load capacity 1350 kg / castor set	A	192,-	15,-	207,-
Skip Body Welded Oil and Watertight	A	121,-	0,-	121,-
Adjustable dumping brake	A	464,-	10,-	474,-
Crane lifting eyes for use with a crane	A	106,-	8,-	114,-
Support legs, 100 mm ground leeway	A	70,-	8,-	78,-
GU 1500, hot-dip galvanized	A	1769,-	426,-	2195,-
Lid, galvanized	A	192,-	27,-	219,-
Castor Set, polyamide, Load capacity 1350 kg / castor set	A	192,-	15,-	207,-
Skip Body Welded Oil and Watertight	A	121,-	0,-	121,-
Adjustable dumping brake	A	464,-	10,-	474,-
Crane lifting eyes for use with a crane	A	106,-	8,-	114,-
Support legs, 100 mm ground leeway	A	70,-	8,-	78,-
GU 2000, painted	A	1675,-	426,-	2101,-
Lid, galvanized	A	226,-	32,-	258,-
Castor Set, polyamide, Load capacity 1350 kg / castor set	A	192,-	15,-	207,-
Skip Body Welded Oil and Watertight	A	121,-	0,-	121,-
Adjustable dumping brake	A	464,-	10,-	474,-
Crane lifting eyes for use with a crane	A	106,-	8,-	114,-
Support legs, 100 mm ground leeway	A	70,-	8,-	78,-
GU 2000, hot-dip galvanized	A	2200,-	426,-	2626,-
Lid, galvanized	A	226,-	32,-	258,-
Castor Set, polyamide, Load capacity 1350 kg / castor set	A	192,-	15,-	207,-
Skip Body Welded Oil and Watertight	A	121,-	0,-	121,-
Adjustable dumping brake	A	464,-	10,-	474,-
Crane lifting eyes for use with a crane	A	106,-	8,-	114,-
Support legs, 100 mm ground leeway	A	70,-	8,-	78,-
Swarf Tilting Container Type GU-E	Category	Price	Freight charges	Price including freight charges
GU-E 300, painted	A	775,-	291,-	1066,-
Lid, galvanized	A	98,-	18,-	116,-
Castor Set, polyamide, Load capacity 1350 kg / castor set	A	192,-	15,-	207,-
Crane lifting eyes for use with a crane	A	106,-	8,-	114,-
Support legs, 100 mm ground leeway	A	70,-	8,-	78,-
GU-E 300, hot-dip galvanized	A	986,-	291,-	1277,-
Lid, galvanized	A	98,-	18,-	116,-
Castor Set, polyamide, Load capacity 1350 kg / castor set	A	192,-	15,-	207,-
Crane lifting eyes for use with a crane	A	106,-	8,-	114,-
Support legs, 100 mm ground leeway	A	70,-	8,-	78,-

Prices in EUR, valid EXW DE-46354 Südlohn, DE-38820 Halberstadt, unpacked
Freight charges valid CPT Romania, islands and oversea territories excluded

Price List 0726 en-RO

Forklift Truck Attachments



Swarf Tilting Container Type GU-E	Category	Price	Freight charges	Price including freight charges
GU-E 500, painted	A	1012,-	291,-	1303,-
Lid, galvanized	A	98,-	18,-	116,-
Castor Set, polyamide, Load capacity 1350 kg / castor set	A	192,-	15,-	207,-
Adjustable dumping brake	A	464,-	10,-	474,-
Crane lifting eyes for use with a crane	A	106,-	8,-	114,-
Support legs, 100 mm ground leeway	A	70,-	8,-	78,-
GU-E 500, hot-dip galvanized	A	1280,-	291,-	1571,-
Lid, galvanized	A	98,-	18,-	116,-
Castor Set, polyamide, Load capacity 1350 kg / castor set	A	192,-	15,-	207,-
Adjustable dumping brake	A	464,-	10,-	474,-
Crane lifting eyes for use with a crane	A	106,-	8,-	114,-
Support legs, 100 mm ground leeway	A	70,-	8,-	78,-
GU-E 750, painted	A	1172,-	291,-	1463,-
Lid, galvanized	A	139,-	26,-	165,-
Castor Set, polyamide, Load capacity 1350 kg / castor set	A	192,-	15,-	207,-
Adjustable dumping brake	A	464,-	10,-	474,-
Crane lifting eyes for use with a crane	A	106,-	8,-	114,-
Support legs, 100 mm ground leeway	A	70,-	8,-	78,-
GU-E 750, hot-dip galvanized	A	1491,-	291,-	1782,-
Lid, galvanized	A	139,-	26,-	165,-
Castor Set, polyamide, Load capacity 1350 kg / castor set	A	192,-	15,-	207,-
Adjustable dumping brake	A	464,-	10,-	474,-
Crane lifting eyes for use with a crane	A	106,-	8,-	114,-
Support legs, 100 mm ground leeway	A	70,-	8,-	78,-
GU-E 1000, painted	A	1325,-	291,-	1616,-
Lid, galvanized	A	192,-	27,-	219,-
Castor Set, polyamide, Load capacity 1350 kg / castor set	A	192,-	15,-	207,-
Adjustable dumping brake	A	464,-	10,-	474,-
Crane lifting eyes for use with a crane	A	106,-	8,-	114,-
Support legs, 100 mm ground leeway	A	70,-	8,-	78,-
GU-E 1000, hot-dip galvanized	A	1810,-	426,-	2236,-
Lid, galvanized	A	192,-	27,-	219,-
Castor Set, polyamide, Load capacity 1350 kg / castor set	A	192,-	15,-	207,-
Adjustable dumping brake	A	464,-	10,-	474,-
Crane lifting eyes for use with a crane	A	106,-	8,-	114,-
Support legs, 100 mm ground leeway	A	70,-	8,-	78,-
GU-E 1500, painted	A	1520,-	426,-	1946,-
Lid, galvanized	A	192,-	27,-	219,-
Castor Set, polyamide, Load capacity 1350 kg / castor set	A	192,-	15,-	207,-
Adjustable dumping brake	A	464,-	10,-	474,-
Crane lifting eyes for use with a crane	A	106,-	8,-	114,-
Support legs, 100 mm ground leeway	A	70,-	8,-	78,-
GU-E 1500, hot-dip galvanized	A	1932,-	426,-	2358,-
Lid, galvanized	A	192,-	27,-	219,-
Castor Set, polyamide, Load capacity 1350 kg / castor set	A	192,-	15,-	207,-
Adjustable dumping brake	A	464,-	10,-	474,-

Prices in EUR, valid EXW DE-46354 Südlohn, DE-38820 Halberstadt, unpacked
Freight charges valid CPT Romania, islands and oversea territories excluded

Price List 0726 en-R0

Forklift Truck Attachments



Swarf Tilting Container Type GU-E	Category	Price	Freight charges	Price including freight charges
Crane lifting eyes for use with a crane	A	106,-	8,-	114,-
Support legs, 100 mm ground leeway	A	70,-	8,-	78,-
GU-E 2000, painted	A	1838,-	426,-	2264,-
Lid, galvanized	A	226,-	32,-	258,-
Castor Set, polyamide, Load capacity 1350 kg / castor set	A	192,-	15,-	207,-
Adjustable dumping brake	A	464,-	10,-	474,-
Crane lifting eyes for use with a crane	A	106,-	8,-	114,-
Support legs, 100 mm ground leeway	A	70,-	8,-	78,-
GU-E 2000, hot-dip galvanized	A	2362,-	426,-	2788,-
Lid, galvanized	A	226,-	32,-	258,-
Castor Set, polyamide, Load capacity 1350 kg / castor set	A	192,-	15,-	207,-
Adjustable dumping brake	A	464,-	10,-	474,-
Crane lifting eyes for use with a crane	A	106,-	8,-	114,-
Support legs, 100 mm ground leeway	A	70,-	8,-	78,-
Tilting Container Type GU-RZ	Category	Price	Freight charges	Price including freight charges
GU-RZ 30, painted	A	699,-	291,-	990,-
Lid, galvanized	A	95,-	18,-	113,-
GU-RZ 30, hot-dip galvanized	A	779,-	291,-	1070,-
Lid, galvanized	A	95,-	18,-	113,-
GU-RZ 55, painted	A	931,-	291,-	1222,-
Lid, galvanized	A	95,-	18,-	113,-
GU-RZ 55, hot-dip galvanized	A	1026,-	291,-	1317,-
Lid, galvanized	A	95,-	18,-	113,-
Fork Protection Type GZS	Category	Price	Freight charges	Price including freight charges
GZS, painted	F	179,-	118,-	297,-
Container With Drop Away Base Type HKB	Category	Price	Freight charges	Price including freight charges
HKB 60, painted	A	1078,-	291,-	1369,-
HKB 70, painted	A	1140,-	291,-	1431,-
HKB 90, painted	A	1417,-	291,-	1708,-
Shovel Type HVR	Category	Price	Freight charges	Price including freight charges
HVR 50, painted	A	3393,-	426,-	3819,-
HVR 75, painted	A	3976,-	515,-	4491,-
HVR 80 L, painted	A	4095,-	515,-	4610,-
HVR 100, painted	A	5033,-	753,-	5786,-
HVR 150, painted	A	6432,-	753,-	7185,-
Kippomat Type KG-A	Category	Price	Freight charges	Price including freight charges
KG-A, hot-dip galvanized	A	3218,-	426,-	3644,-
Kippomat Type KG-B	Category	Price	Freight charges	Price including freight charges
KG-B, hot-dip galvanized	A	3137,-	426,-	3563,-

Prices in EUR, valid EXW DE-46354 Südlohn, DE-38820 Halberstadt, unpacked
Freight charges valid CPT Romania, islands and oversea territories excluded

Price List 0726 en-RO

Forklift Truck Attachments



Kippomat Type KG-C	Category	Price	Freight charges	Price including freight charges
KG-C, hot-dip galvanized	A	2081,-	291,-	2372,-
Tipping Skip Type KK	Category	Price	Freight charges	Price including freight charges
KK 250, painted	E	484,-	173,-	657,-
Lid, galvanized	E	136,-	15,-	151,-
Castor Set, polyamide, Load capacity 1050 kg / castor set	A	136,-	15,-	151,-
Castor Set, solid rubber, Load capacity 615 kg / castor set	E	103,-	15,-	118,-
KK 250, hot-dip galvanized	E	534,-	173,-	707,-
Lid, galvanized	E	136,-	15,-	151,-
Castor Set, polyamide, Load capacity 1050 kg / castor set	A	136,-	15,-	151,-
Castor Set, solid rubber, Load capacity 615 kg / castor set	E	103,-	15,-	118,-
KK 400, painted	E	551,-	173,-	724,-
Lid, galvanized	E	156,-	16,-	172,-
Castor Set, polyamide, Load capacity 1050 kg / castor set	A	136,-	15,-	151,-
Castor Set, solid rubber, Load capacity 615 kg / castor set	E	103,-	15,-	118,-
KK 400, hot-dip galvanized	E	600,-	173,-	773,-
Lid, galvanized	E	156,-	16,-	172,-
Castor Set, polyamide, Load capacity 1050 kg / castor set	A	136,-	15,-	151,-
Castor Set, solid rubber, Load capacity 615 kg / castor set	E	103,-	15,-	118,-
KK 600, painted	E	764,-	291,-	1055,-
Lid, galvanized	E	173,-	20,-	193,-
Castor Set, polyamide, Load capacity 1050 kg / castor set	A	136,-	15,-	151,-
Castor Set, solid rubber, Load capacity 615 kg / castor set	E	103,-	15,-	118,-
KK 600, hot-dip galvanized	E	865,-	291,-	1156,-
Castor Set, solid rubber, Load capacity 615 kg / castor set	E	103,-	15,-	118,-
Lid, galvanized	E	173,-	20,-	193,-
Castor Set, polyamide, Load capacity 1050 kg / castor set	A	136,-	15,-	151,-
KK 800, painted	E	823,-	291,-	1114,-
Lid, galvanized	E	181,-	21,-	202,-
Castor Set, polyamide, Load capacity 1050 kg / castor set	A	136,-	15,-	151,-
Castor Set, solid rubber, Load capacity 615 kg / castor set	E	103,-	15,-	118,-
KK 800, hot-dip galvanized	E	930,-	291,-	1221,-
Lid, galvanized	E	181,-	21,-	202,-
Castor Set, polyamide, Load capacity 1050 kg / castor set	A	136,-	15,-	151,-
Castor Set, solid rubber, Load capacity 615 kg / castor set	E	103,-	15,-	118,-
KK 1000, painted	E	881,-	291,-	1172,-
Lid, galvanized	E	193,-	22,-	215,-
Castor Set, polyamide, Load capacity 1050 kg / castor set	A	136,-	15,-	151,-
Castor Set, solid rubber, Load capacity 615 kg / castor set	E	103,-	15,-	118,-
KK 1000, hot-dip galvanized	E	1014,-	291,-	1305,-
Lid, galvanized	E	193,-	22,-	215,-
Castor Set, polyamide, Load capacity 1050 kg / castor set	A	136,-	15,-	151,-
Castor Set, solid rubber, Load capacity 615 kg / castor set	E	103,-	15,-	118,-

Prices in EUR, valid EXW DE-46354 Südlohn, DE-38820 Halberstadt, unpacked
Freight charges valid CPT Romania, islands and oversea territories excluded

Price List 0726 en-RO

Forklift Truck Attachments



Kippomat Type KM	Category	Price	Freight charges	Price including freight charges
KM, hot-dip galvanized	A	3218,-	291,-	3509,-

Tipping Skip Type KN	Category	Price	Freight charges	Price including freight charges
KN 250, painted	E	484,-	173,-	657,-
Lid, galvanized	E	136,-	15,-	151,-
Castor Set, polyamide, Load capacity 1050 kg / castor set	A	136,-	15,-	151,-
Castor Set, solid rubber, Load capacity 615 kg / castor set	E	103,-	15,-	118,-
KN 250, hot-dip galvanized	E	534,-	173,-	707,-
Lid, galvanized	E	136,-	15,-	151,-
Castor Set, polyamide, Load capacity 1050 kg / castor set	A	136,-	15,-	151,-
Castor Set, solid rubber, Load capacity 615 kg / castor set	E	103,-	15,-	118,-
KN 400, painted	E	551,-	173,-	724,-
Lid, galvanized	E	156,-	16,-	172,-
Castor Set, polyamide, Load capacity 1050 kg / castor set	A	136,-	15,-	151,-
Castor Set, solid rubber, Load capacity 615 kg / castor set	E	103,-	15,-	118,-
KN 400, hot-dip galvanized	E	600,-	173,-	773,-
Lid, galvanized	E	156,-	16,-	172,-
Castor Set, polyamide, Load capacity 1050 kg / castor set	A	136,-	15,-	151,-
Castor Set, solid rubber, Load capacity 615 kg / castor set	E	103,-	15,-	118,-

Tipping Skip Type KS	Category	Price	Freight charges	Price including freight charges
KS 400, painted	E	900,-	291,-	1191,-
KS 550, painted	E	964,-	291,-	1255,-
KS 700, painted	E	1024,-	291,-	1315,-

Extensible Crane Arm Type KT	Category	Price	Freight charges	Price including freight charges
KT 2,5, painted	A	1448,-	291,-	1739,-
KT 2,5, hot-dip galvanized	A	1763,-	426,-	2189,-
KT 5,0, painted	A	1798,-	426,-	2224,-
KT 5,0, hot-dip galvanized	A	2242,-	426,-	2668,-

Extensible Crane Arm Type KTH	Category	Price	Freight charges	Price including freight charges
KTH 2,5, painted	A	1748,-	426,-	2174,-
KTH 2,5, hot-dip galvanized	A	2068,-	426,-	2494,-
KTH 5,0, painted	A	2012,-	426,-	2438,-
KTH 5,0, hot-dip galvanized	A	2373,-	426,-	2799,-

Extensible Crane Arm Type KTH-K	Category	Price	Freight charges	Price including freight charges
KTH-K 2,5, painted	A	1606,-	291,-	1897,-
KTH-K 2,5, hot-dip galvanized	A	1943,-	291,-	2234,-
KTH-K 5,0, painted	A	1852,-	291,-	2143,-
KTH-K 5,0, hot-dip galvanized	A	2232,-	426,-	2658,-

Extensible Crane Arm Type KT-K	Category	Price	Freight charges	Price including freight charges
KT-K 2,5, painted	A	1291,-	291,-	1582,-

Prices in EUR, valid EXW DE-46354 Südlohn, DE-38820 Halberstadt, unpacked
Freight charges valid CPT Romania, islands and oversea territories excluded

Price List 0726 en-R0

Forklift Truck Attachments



Extensible Crane Arm Type KT-K	Category	Price	Freight charges	Price including freight charges
KT-K 2,5, hot-dip galvanized	A	1622,-	291,-	1913,-
KT-K 5,0, painted	A	1625,-	291,-	1916,-
KT-K 5,0, hot-dip galvanized	A	2092,-	291,-	2383,-

Barrow Tipper Type KW-ET	Category	Price	Freight charges	Price including freight charges
KW-ET 250, painted	E	588,-	173,-	761,-
Lid, galvanized	E	136,-	15,-	151,-
KW-ET 250, hot-dip galvanized	E	900,-	173,-	1073,-
Lid, galvanized	E	136,-	15,-	151,-
KW-ET 400, painted	E	648,-	173,-	821,-
Lid, galvanized	E	156,-	16,-	172,-
KW-ET 400, hot-dip galvanized	E	998,-	173,-	1171,-
Lid, galvanized	E	156,-	16,-	172,-
KW-ET 600, painted	E	808,-	291,-	1099,-
Lid, galvanized	E	173,-	20,-	193,-
KW-ET 600, hot-dip galvanized	E	1166,-	291,-	1457,-
Lid, galvanized	E	173,-	20,-	193,-
KW-ET 1000, painted	E	997,-	291,-	1288,-
Lid, galvanized	E	193,-	22,-	215,-
KW-ET 1000, hot-dip galvanized	E	1591,-	291,-	1882,-
Lid, galvanized	E	193,-	22,-	215,-

Loading Arm Type LA	Category	Price	Freight charges	Price including freight charges
LA 1600-1,0, painted	A	542,-	173,-	715,-
LA 1600-1,0, hot-dip galvanized	A	581,-	173,-	754,-
LA 1600-2,5, painted	A	786,-	173,-	959,-
LA 1600-2,5, hot-dip galvanized	A	927,-	173,-	1100,-
LA 1600-5,0, painted	A	1133,-	291,-	1424,-
LA 1600-5,0, hot-dip galvanized	A	1325,-	291,-	1616,-
LA 2400-1,0, painted	A	569,-	173,-	742,-
LA 2400-1,0, hot-dip galvanized	A	632,-	173,-	805,-
LA 2400-2,5, painted	A	877,-	291,-	1168,-
LA 2400-2,5, hot-dip galvanized	A	1017,-	291,-	1308,-
LA 2400-5,0, painted	A	1250,-	291,-	1541,-
LA 2400-5,0, hot-dip galvanized	A	1480,-	291,-	1771,-
LA 25-1,0, painted	A	632,-	173,-	805,-
LA 25-1,0, hot-dip galvanized	A	683,-	173,-	856,-

Loading Arm Type LAT	Category	Price	Freight charges	Price including freight charges
LAT 25-1,0, painted	A	766,-	173,-	939,-
LAT 25-1,0, hot-dip galvanized	A	838,-	173,-	1011,-

Scissor Gripper Type LG	Category	Price	Freight charges	Price including freight charges
LG 60, painted	B	245,-	118,-	363,-
LG 60, galvanized	B	223,-	118,-	341,-

Prices in EUR, valid EXW DE-46354 Südlohn, DE-38820 Halberstadt, unpacked
 Freight charges valid CPT Romania, islands and oversea territories excluded

Price List 0726 en-RO

Forklift Truck Attachments



Scissor Gripper Type LG	Category	Price	Freight charges	Price including freight charges
LG 200, painted	B	245,-	118,-	363,-
LG 200, galvanized	B	223,-	118,-	341,-
Container for Long Material Type LGK	Category	Price	Freight charges	Price including freight charges
LGK, painted	A	1376,-	291,-	1667,-
Castor Set, polyamide, Load capacity 1350 kg / castor set	A	192,-	15,-	207,-
LGK, hot-dip galvanized	A	1676,-	291,-	1967,-
Castor Set, polyamide, Load capacity 1350 kg / castor set	A	192,-	15,-	207,-
Long Material Carrier Type LGT	Category	Price	Freight charges	Price including freight charges
LGT 1,5, painted	A	1929,-	426,-	2355,-
LGT 1,5, hot-dip galvanized	A	2263,-	426,-	2689,-
LGT 2,5, painted	A	2164,-	on request	on request
LGT 2,5, hot-dip galvanized	A	2590,-	on request	on request
LGT 3,5, painted	A	2989,-	on request	on request
LGT 3,5, hot-dip galvanized	A	3670,-	on request	on request
LGT 4,5, painted	A	3302,-	on request	on request
LGT 4,5, hot-dip galvanized	A	4071,-	on request	on request
Drum Claw Type LGZ	Category	Price	Freight charges	Price including freight charges
LGZ 60, painted	B	225,-	118,-	343,-
LGZ 60, galvanized	B	211,-	118,-	329,-
LGZ 200, painted	B	225,-	118,-	343,-
LGZ 200, galvanized	B	211,-	118,-	329,-
Crane Hook Type LH	Category	Price	Freight charges	Price including freight charges
LH-I 1,0, painted	A	199,-	118,-	317,-
LH-I 1,0, hot-dip galvanized	A	223,-	118,-	341,-
LH-I 1,5, painted	A	218,-	118,-	336,-
LH-I 1,5, hot-dip galvanized	A	242,-	118,-	360,-
LH-I 2,0, painted	A	229,-	118,-	347,-
LH-I 2,0, hot-dip galvanized	A	254,-	118,-	372,-
LH-I 2,5, painted	A	255,-	118,-	373,-
LH-I 2,5, hot-dip galvanized	A	279,-	118,-	397,-
LH-I 3,0, painted	A	331,-	118,-	449,-
LH-I 3,0, hot-dip galvanized	A	356,-	118,-	474,-
LH-II 1,5, painted	A	329,-	118,-	447,-
LH-II 1,5, hot-dip galvanized	A	378,-	118,-	496,-
LH-II 2,5, painted	A	434,-	118,-	552,-
LH-II 2,5, hot-dip galvanized	A	516,-	118,-	634,-
LH-II 5,0, painted	A	720,-	173,-	893,-
LH-II 5,0, hot-dip galvanized	A	808,-	173,-	981,-
LH-II 7,5, painted	A	856,-	173,-	1029,-
LH-II 7,5, hot-dip galvanized	A	949,-	173,-	1122,-

Prices in EUR, valid EXW DE-46354 Südlohn, DE-38820 Halberstadt, unpacked
Freight charges valid CPT Romania, islands and oversea territories excluded

Price List 0726 en-RO

Forklift Truck Attachments



Long Load Handler Type LSL	Category	Price	Freight charges	Price including freight charges
LSL, painted	A	1141,-	291,-	1432,-
LSL, hot-dip galvanized	A	1310,-	291,-	1601,-
Long Material Sidecar Type LSW	Category	Price	Freight charges	Price including freight charges
LSW 1,3, painted	A	953,-	173,-	1126,-
LSW 1,3, hot-dip galvanized	A	1017,-	291,-	1308,-
LSW 2,5, painted	A	1132,-	173,-	1305,-
LSW 2,5, hot-dip galvanized	A	1197,-	291,-	1488,-
Access Safety Platform Type MB-B	Category	Price	Freight charges	Price including freight charges
MB-B, painted	A	1085,-	291,-	1376,-
Castor Set, polyamide, Load capacity 1050 kg / castor set	A	136,-	15,-	151,-
Access Safety Platform Type MB-B/L	Category	Price	Freight charges	Price including freight charges
MB-B/L, painted	A	1274,-	291,-	1565,-
Castor Set, polyamide, Load capacity 1050 kg / castor set	A	136,-	15,-	151,-
Access Safety Platform Type MB-D	Category	Price	Freight charges	Price including freight charges
MB-D, painted	A	908,-	291,-	1199,-
Castor Set, polyamide, Load capacity 1050 kg / castor set	A	136,-	15,-	151,-
Access Safety Platform Type MB-D/L	Category	Price	Freight charges	Price including freight charges
MB-D/L, painted	A	1096,-	291,-	1387,-
Castor Set, polyamide, Load capacity 1050 kg / castor set	A	136,-	15,-	151,-
Access Safety Platform Type MB-F	Category	Price	Freight charges	Price including freight charges
MB-F, painted	A	1074,-	291,-	1365,-
Castor Set, polyamide, Load capacity 1050 kg / castor set	A	136,-	15,-	151,-
Access Safety Platform Type MB-II	Category	Price	Freight charges	Price including freight charges
MB-II, painted	A	994,-	291,-	1285,-
Castor Set, polyamide, Load capacity 1050 kg / castor set	A	136,-	15,-	151,-
MB-II, hot-dip galvanized	A	1171,-	291,-	1462,-
Castor Set, polyamide, Load capacity 1050 kg / castor set	A	136,-	15,-	151,-
Access Safety Platform Type MB-K-IV	Category	Price	Freight charges	Price including freight charges
MB-K-IV, painted	A	2012,-	344,-	2356,-
Access Safety Platform Type MB-ST	Category	Price	Freight charges	Price including freight charges
MB-ST, painted	A	2576,-	291,-	2867,-
Castor Set, polyamide, Load capacity 1050 kg / castor set	A	136,-	15,-	151,-
Access Safety Platform Type MB-ST/L	Category	Price	Freight charges	Price including freight charges
MB-ST/L, painted	A	2764,-	291,-	3055,-

Prices in EUR, valid EXW DE-46354 Südlohn, DE-38820 Halberstadt, unpacked
Freight charges valid CPT Romania, islands and oversea territories excluded

Price List 0726 en-RO

Forklift Truck Attachments



Access Safety Platform Type MB-ST/L	Category	Price	Freight charges	Price including freight charges
Castor Set, polyamide, Load capacity 1050 kg / castor set	A	136,-	15,-	151,-
Access Safety Platform Type MB-ST/T	Category	Price	Freight charges	Price including freight charges
MB-ST/T, painted	A	2903,-	291,-	3194,-
Castor Set, polyamide, Load capacity 1050 kg / castor set	A	136,-	15,-	151,-
Access Safety Platform Type MB-ST/T/L	Category	Price	Freight charges	Price including freight charges
MB-ST/T/L, painted	A	3092,-	291,-	3383,-
Castor Set, polyamide, Load capacity 1050 kg / castor set	A	136,-	15,-	151,-
Mini Tilting Container Type MGU	Category	Price	Freight charges	Price including freight charges
MGU 230, painted	A	569,-	173,-	742,-
Lid, galvanized	A	131,-	18,-	149,-
Castor Set, polyamide, Load capacity 1050 kg / castor set	A	156,-	15,-	171,-
Skip Body Welded Oil and Watertight	A	78,-	0,-	78,-
MGU 230, hot-dip galvanized	A	655,-	291,-	946,-
Lid, galvanized	A	131,-	18,-	149,-
Castor Set, polyamide, Load capacity 1050 kg / castor set	A	156,-	15,-	171,-
Skip Body Welded Oil and Watertight	A	78,-	0,-	78,-
MGU 270, painted	A	621,-	291,-	912,-
Lid, galvanized	A	131,-	18,-	149,-
Castor Set, polyamide, Load capacity 1050 kg / castor set	A	156,-	15,-	171,-
Skip Body Welded Oil and Watertight	A	78,-	0,-	78,-
MGU 270, hot-dip galvanized	A	729,-	291,-	1020,-
Lid, galvanized	A	131,-	18,-	149,-
Castor Set, polyamide, Load capacity 1050 kg / castor set	A	156,-	15,-	171,-
Skip Body Welded Oil and Watertight	A	78,-	0,-	78,-
MGU 460, painted	A	815,-	291,-	1106,-
Lid, galvanized	A	169,-	22,-	191,-
Castor Set, polyamide, Load capacity 1050 kg / castor set	A	156,-	15,-	171,-
Skip Body Welded Oil and Watertight	A	78,-	0,-	78,-
MGU 460, hot-dip galvanized	A	967,-	291,-	1258,-
Lid, galvanized	A	169,-	22,-	191,-
Castor Set, polyamide, Load capacity 1050 kg / castor set	A	156,-	15,-	171,-
Skip Body Welded Oil and Watertight	A	78,-	0,-	78,-
MGU 610, painted	A	919,-	291,-	1210,-
Lid, galvanized	A	181,-	26,-	207,-
Castor Set, polyamide, Load capacity 1050 kg / castor set	A	156,-	15,-	171,-
Skip Body Welded Oil and Watertight	A	78,-	0,-	78,-
MGU 610, hot-dip galvanized	A	1089,-	291,-	1380,-
Lid, galvanized	A	181,-	26,-	207,-
Castor Set, polyamide, Load capacity 1050 kg / castor set	A	156,-	15,-	171,-
Skip Body Welded Oil and Watertight	A	78,-	0,-	78,-

Prices in EUR, valid EXW DE-46354 Südlohn, DE-38820 Halberstadt, unpacked
Freight charges valid CPT Romania, islands and oversea territories excluded

Price List 0726 en-RO

Forklift Truck Attachments



Wheelie Bin Jack Type MH	Category	Price	Freight charges	Price including freight charges
MH-I, painted	A	657,-	173,-	830,-
MH-II, painted	A	725,-	173,-	898,-
MH-III, painted	A	784,-	173,-	957,-
Wheelie Bin Tipper Type MK	Category	Price	Freight charges	Price including freight charges
MK 120, painted	A	1273,-	173,-	1446,-
MK 240, painted	A	1273,-	173,-	1446,-
Wheelie Bin Tipper Type MK-H	Category	Price	Freight charges	Price including freight charges
MK-H 120, painted	A	1902,-	173,-	2075,-
MK-H 240, painted	A	1902,-	291,-	2193,-
Mini Container With Drop Away Base Type MSB	Category	Price	Freight charges	Price including freight charges
MSB 150, painted	A	636,-	173,-	809,-
Castor Set, polyamide, Load capacity 1050 kg / castor set	A	156,-	15,-	171,-
Guiding Plates, galvanized	A	73,-	12,-	85,-
MSB 150, hot-dip galvanized	A	746,-	173,-	919,-
Castor Set, polyamide, Load capacity 1050 kg / castor set	A	156,-	15,-	171,-
Guiding Plates, galvanized	A	73,-	12,-	85,-
MSB 250, painted	A	690,-	173,-	863,-
Castor Set, polyamide, Load capacity 1050 kg / castor set	A	156,-	15,-	171,-
Guiding Plates, galvanized	A	73,-	12,-	85,-
MSB 250, hot-dip galvanized	A	826,-	173,-	999,-
Castor Set, polyamide, Load capacity 1050 kg / castor set	A	156,-	15,-	171,-
Guiding Plates, galvanized	A	73,-	12,-	85,-
MSB 400, painted	A	850,-	173,-	1023,-
Castor Set, polyamide, Load capacity 1050 kg / castor set	A	156,-	15,-	171,-
Guiding Plates, galvanized	A	73,-	12,-	85,-
MSB 400, hot-dip galvanized	A	1018,-	291,-	1309,-
Castor Set, polyamide, Load capacity 1050 kg / castor set	A	156,-	15,-	171,-
Guiding Plates, galvanized	A	73,-	12,-	85,-
Tilting Container Type NK	Category	Price	Freight charges	Price including freight charges
NK 30, painted	A	700,-	291,-	991,-
Lid, galvanized	A	98,-	15,-	113,-
Castor Set, polyamide, Load capacity 1350 kg / castor set	A	192,-	15,-	207,-
Skip Body Welded Oil and Watertight	A	78,-	0,-	78,-
NK 30, hot-dip galvanized	A	984,-	291,-	1275,-
Lid, galvanized	A	98,-	15,-	113,-
Castor Set, polyamide, Load capacity 1350 kg / castor set	A	192,-	15,-	207,-
Skip Body Welded Oil and Watertight	A	78,-	0,-	78,-
NK 50, painted	A	984,-	291,-	1275,-
Lid, galvanized	A	98,-	18,-	116,-
Castor Set, polyamide, Load capacity 1350 kg / castor set	A	192,-	15,-	207,-
Skip Body Welded Oil and Watertight	A	78,-	0,-	78,-

Prices in EUR, valid EXW DE-46354 Südlohn, DE-38820 Halberstadt, unpacked
Freight charges valid CPT Romania, islands and oversea territories excluded

Price List 0726 en-RO

Forklift Truck Attachments



Tilting Container Type NK	Category	Price	Freight charges	Price including freight charges
NK 50, hot-dip galvanized	A	1327,-	291,-	1618,-
Lid, galvanized	A	98,-	18,-	116,-
Castor Set, polyamide, Load capacity 1350 kg / castor set	A	192,-	15,-	207,-
Skip Body Welded Oil and Watertight	A	78,-	0,-	78,-
NK 75, painted	A	1115,-	426,-	1541,-
Lid, galvanized	A	142,-	22,-	164,-
Castor Set, polyamide, Load capacity 1350 kg / castor set	A	192,-	15,-	207,-
Skip Body Welded Oil and Watertight	A	78,-	0,-	78,-
NK 75, hot-dip galvanized	A	1743,-	426,-	2169,-
Lid, galvanized	A	142,-	22,-	164,-
Castor Set, polyamide, Load capacity 1350 kg / castor set	A	192,-	15,-	207,-
Skip Body Welded Oil and Watertight	A	78,-	0,-	78,-
NK 100, painted	A	1508,-	426,-	1934,-
Lid, galvanized	A	173,-	27,-	200,-
Castor Set, polyamide, Load capacity 1350 kg / castor set	A	192,-	15,-	207,-
Skip Body Welded Oil and Watertight	A	121,-	0,-	121,-
NK 100, hot-dip galvanized	A	2070,-	426,-	2496,-
Lid, galvanized	A	173,-	27,-	200,-
Castor Set, polyamide, Load capacity 1350 kg / castor set	A	192,-	15,-	207,-
Skip Body Welded Oil and Watertight	A	121,-	0,-	121,-
Cylindrical Container Type RB	Category	Price	Freight charges	Price including freight charges
RB 300, painted	A	679,-	173,-	852,-
Lid, aluminium	A	160,-	14,-	174,-
Castor Set, polyamide, Load capacity 1050 kg / castor set	A	156,-	15,-	171,-
RB 450, painted	A	793,-	173,-	966,-
Lid, aluminium	A	160,-	14,-	174,-
Castor Set, polyamide, Load capacity 1050 kg / castor set	A	156,-	15,-	171,-
Tilting Container Type RD	Category	Price	Freight charges	Price including freight charges
RD 750, painted	A	1202,-	426,-	1628,-
Castor Set, polyamide, Load capacity 1350 kg / castor set	A	192,-	15,-	207,-
Skip Body Welded Oil and Watertight	A	78,-	0,-	78,-
RD 750, hot-dip galvanized	A	1602,-	426,-	2028,-
Castor Set, polyamide, Load capacity 1350 kg / castor set	A	192,-	15,-	207,-
Skip Body Welded Oil and Watertight	A	78,-	0,-	78,-
RD 1000, painted	A	1449,-	426,-	1875,-
Castor Set, polyamide, Load capacity 1350 kg / castor set	A	192,-	15,-	207,-
Skip Body Welded Oil and Watertight	A	121,-	0,-	121,-
RD 1000, hot-dip galvanized	A	1933,-	426,-	2359,-
Castor Set, polyamide, Load capacity 1350 kg / castor set	A	192,-	15,-	207,-
Skip Body Welded Oil and Watertight	A	121,-	0,-	121,-
Platform for Off-Cuts Type RGP	Category	Price	Freight charges	Price including freight charges
RGP-1, painted	A	2437,-	on request	on request

Prices in EUR, valid EXW DE-46354 Südlohn, DE-38820 Halberstadt, unpacked
Freight charges valid CPT Romania, islands and oversea territories excluded

Price List 0726 en-R0

Forklift Truck Attachments



Platform for Off-Cuts Type RGP	Category	Price	Freight charges	Price including freight charges
RGP-1, hot-dip galvanized	A	3118,-	on request	on request
RGP-2, painted	A	2669,-	on request	on request
RGP-2, hot-dip galvanized	A	3558,-	on request	on request
RGP-3, painted	A	2907,-	on request	on request
RGP-3, hot-dip galvanized	A	3916,-	on request	on request
Shunting Aid Type RH	Category	Price	Freight charges	Price including freight charges
RH, painted	A	426,-	118,-	544,-
Shunting Aid Type RH-AC	Category	Price	Freight charges	Price including freight charges
RH-AC, painted	A	2305,-	426,-	2731,-
Shunting Aid Type RH-RA	Category	Price	Freight charges	Price including freight charges
RH-RA, painted	A	1586,-	173,-	1759,-
Shunting Aid Type RH-RAK	Category	Price	Freight charges	Price including freight charges
RH-RAK, painted	A	1691,-	173,-	1864,-
Shunting Aid Type RH-RM	Category	Price	Freight charges	Price including freight charges
RH-RM, painted	A	1178,-	173,-	1351,-
Shunting Aid Type RH-RMK	Category	Price	Freight charges	Price including freight charges
RH-RMK, painted	A	1285,-	173,-	1458,-
Drum Lifter Type RS 60	Category	Price	Freight charges	Price including freight charges
RS 60-I, painted	B	1013,-	173,-	1186,-
RS 60-I, hot-dip galvanized	B	1076,-	173,-	1249,-
RS 60-II, painted	B	1713,-	173,-	1886,-
RS 60-II, hot-dip galvanized	B	1798,-	173,-	1971,-
Drum Lifter Type RS	Category	Price	Freight charges	Price including freight charges
RS-I/91, painted	B	1701,-	291,-	1992,-
RS-I/91, hot-dip galvanized	B	1945,-	291,-	2236,-
RS-II/91, painted	B	2948,-	291,-	3239,-
RS-II/91, hot-dip galvanized	B	3320,-	291,-	3611,-
RS-I/M, painted	B	1556,-	173,-	1729,-
RS-I/M, hot-dip galvanized	B	1798,-	291,-	2089,-
RS-II/M, painted	B	2663,-	291,-	2954,-
RS-II/M, hot-dip galvanized	B	3030,-	291,-	3321,-
Drum Lifter Type RS/D 91	Category	Price	Freight charges	Price including freight charges
RS-I/D 91, painted	B	1488,-	291,-	1779,-
RS-I/D 91, hot-dip galvanized	B	1730,-	291,-	2021,-
RS-II/D 91, painted	B	2521,-	291,-	2812,-

Prices in EUR, valid EXW DE-46354 Südlohn, DE-38820 Halberstadt, unpacked
Freight charges valid CPT Romania, islands and oversea territories excluded

Price List 0726 en-RO

Forklift Truck Attachments



Drum Lifter Type RS/D 91	Category	Price	Freight charges	Price including freight charges
RS-II/D 91, hot-dip galvanized	B	2887,-	291,-	3178,-

Swarf Tilting Container Type S3S	Category	Price	Freight charges	Price including freight charges
S3S 300, painted	A	1357,-	291,-	1648,-
Lid, galvanized	A	174,-	18,-	192,-
Castor Set, polyamide, Load capacity 1050 kg / castor set	A	136,-	15,-	151,-
S3S 300, hot-dip galvanized	A	1454,-	426,-	1880,-
Lid, galvanized	A	174,-	18,-	192,-
Castor Set, polyamide, Load capacity 1050 kg / castor set	A	136,-	15,-	151,-
S3S 600, painted	A	1413,-	426,-	1839,-
Lid, galvanized	A	196,-	22,-	218,-
Castor Set, polyamide, Load capacity 1050 kg / castor set	A	136,-	15,-	151,-
S3S 600, hot-dip galvanized	A	1514,-	426,-	1940,-
Lid, galvanized	A	196,-	22,-	218,-
Castor Set, polyamide, Load capacity 1050 kg / castor set	A	136,-	15,-	151,-

Swarf Tilting Container Type S4A	Category	Price	Freight charges	Price including freight charges
S4A 600, painted	A	1271,-	291,-	1562,-
Lid, galvanized	A	196,-	22,-	218,-
S4A 600, hot-dip galvanized	A	1418,-	291,-	1709,-
Lid, galvanized	A	196,-	22,-	218,-
S4A 900, painted	A	1408,-	426,-	1834,-
Lid, galvanized	A	223,-	27,-	250,-
S4A 900, hot-dip galvanized	A	1595,-	426,-	2021,-
Lid, galvanized	A	223,-	27,-	250,-
S4A 1200, painted	A	1497,-	426,-	1923,-
Lid, galvanized	A	223,-	26,-	249,-
S4A 1200, hot-dip galvanized	A	1730,-	426,-	2156,-
Lid, galvanized	A	223,-	26,-	249,-

Container With Drop Away Base Type SB	Category	Price	Freight charges	Price including freight charges
SB 500, painted	B	1000,-	291,-	1291,-
Lid, galvanized	B	143,-	16,-	159,-
Castor Set, polyamide, Load capacity 1350 kg / castor set	A	192,-	15,-	207,-
Heavy-duty Castor Set, polyamide, Load capacity 2550 kg / castor set	A	379,-	15,-	394,-
SB 500, hot-dip galvanized	B	1303,-	291,-	1594,-
Lid, galvanized	B	143,-	16,-	159,-
Castor Set, polyamide, Load capacity 1350 kg / castor set	A	192,-	15,-	207,-
Heavy-duty Castor Set, polyamide, Load capacity 2550 kg / castor set	A	379,-	15,-	394,-
SB 750, painted	B	1094,-	291,-	1385,-
Lid, galvanized	B	143,-	16,-	159,-
Castor Set, polyamide, Load capacity 1350 kg / castor set	A	192,-	15,-	207,-
Heavy-duty Castor Set, polyamide, Load capacity 2550 kg / castor set	A	379,-	15,-	394,-
SB 750, hot-dip galvanized	B	1520,-	426,-	1946,-
Lid, galvanized	B	143,-	16,-	159,-

Prices in EUR, valid EXW DE-46354 Südlohn, DE-38820 Halberstadt, unpacked
 Freight charges valid CPT Romania, islands and oversea territories excluded

Price List 0726 en-RO

Forklift Truck Attachments



Container With Drop Away Base Type SB	Category	Price	Freight charges	Price including freight charges
Castor Set, polyamide, Load capacity 1350 kg / castor set	A	192,-	15,-	207,-
Heavy-duty Castor Set, polyamide, Load capacity 2550 kg / castor set	A	379,-	15,-	394,-
SB 1000, painted	B	1295,-	426,-	1721,-
Lid, galvanized	B	143,-	16,-	159,-
Castor Set, polyamide, Load capacity 1350 kg / castor set	A	192,-	15,-	207,-
Heavy-duty Castor Set, polyamide, Load capacity 2550 kg / castor set	A	379,-	15,-	394,-
SB 1000, hot-dip galvanized	B	1801,-	426,-	2227,-
Lid, galvanized	B	143,-	16,-	159,-
Castor Set, polyamide, Load capacity 1350 kg / castor set	A	192,-	15,-	207,-
Heavy-duty Castor Set, polyamide, Load capacity 2550 kg / castor set	A	379,-	15,-	394,-
SB 1500, painted	B	1755,-	426,-	2181,-
Lid, galvanized	B	254,-	21,-	275,-
Castor Set, polyamide, Load capacity 1350 kg / castor set	A	192,-	15,-	207,-
Heavy-duty Castor Set, polyamide, Load capacity 2550 kg / castor set	A	379,-	15,-	394,-
SB 1500, hot-dip galvanized	B	2443,-	515,-	2958,-
Lid, galvanized	B	254,-	21,-	275,-
Castor Set, polyamide, Load capacity 1350 kg / castor set	A	192,-	15,-	207,-
Heavy-duty Castor Set, polyamide, Load capacity 2550 kg / castor set	A	379,-	15,-	394,-
SB 2000, painted	B	1803,-	515,-	2318,-
Lid, galvanized	B	254,-	21,-	275,-
Castor Set, polyamide, Load capacity 1350 kg / castor set	A	192,-	15,-	207,-
Heavy-duty Castor Set, polyamide, Load capacity 2550 kg / castor set	A	379,-	15,-	394,-
SB 2000, hot-dip galvanized	B	2581,-	515,-	3096,-
Lid, galvanized	B	254,-	21,-	275,-
Castor Set, polyamide, Load capacity 1350 kg / castor set	A	192,-	15,-	207,-
Heavy-duty Castor Set, polyamide, Load capacity 2550 kg / castor set	A	379,-	15,-	394,-
Collecting System Type SBS	Category	Price	Freight charges	Price including freight charges
SBS 500, painted	C	399,-	291,-	690,-
Trolley TW 500, hot-dip galvanized	C	258,-	173,-	431,-
SBS 500, hot-dip galvanized	C	472,-	291,-	763,-
Trolley TW 500, hot-dip galvanized	C	258,-	173,-	431,-
SBS 1000, painted	C	509,-	291,-	800,-
Trolley TW 1000, hot-dip galvanized	C	297,-	173,-	470,-
SBS 1000, hot-dip galvanized	C	626,-	291,-	917,-
Trolley TW 1000, hot-dip galvanized	C	297,-	173,-	470,-
SBS 2000, painted	C	807,-	479,-	1286,-
Trolley TW 2000, hot-dip galvanized	C	505,-	173,-	678,-
SBS 2000, hot-dip galvanized	C	968,-	479,-	1447,-
Trolley TW 2000, hot-dip galvanized	C	505,-	173,-	678,-
Filling Hopper Type SBT	Category	Price	Freight charges	Price including freight charges
SBT, painted	A	1671,-	426,-	2097,-

Prices in EUR, valid EXW DE-46354 Südlohn, DE-38820 Halberstadt, unpacked
Freight charges valid CPT Romania, islands and oversea territories excluded

Price List 0726 en-RO

Forklift Truck Attachments



Snowdozer Type SCH-F	Category	Price	Freight charges	Price including freight charges
SCH-F 150, painted	A	2233,-	426,-	2659,-
SCH-F 180, painted	A	2507,-	426,-	2933,-
SCH-F 210, painted	A	2818,-	426,-	3244,-
SCH-F 240, painted	A	3095,-	569,-	3664,-
Snowdozer Type SCH-G	Category	Price	Freight charges	Price including freight charges
SCH-G 150, painted	A	1584,-	291,-	1875,-
SCH-G 180, painted	A	1730,-	291,-	2021,-
SCH-G 210, painted	A	1998,-	426,-	2424,-
SCH-G 240, painted	A	2160,-	479,-	2639,-
Snowdozer Type SCH-L	Category	Price	Freight charges	Price including freight charges
SCH-L 1500, painted	A	1182,-	291,-	1473,-
SCH-L 1500, hot-dip galvanized	A	1310,-	291,-	1601,-
SCH-L 1800, painted	A	1380,-	291,-	1671,-
SCH-L 1800, hot-dip galvanized	A	1532,-	291,-	1823,-
Snow Plough Type SCH-P-G	Category	Price	Freight charges	Price including freight charges
SCH-P-G 150, painted	A	2493,-	426,-	2919,-
SCH-P-G 180, painted	A	2677,-	426,-	3103,-
SCH-P-G 210, painted	A	2870,-	426,-	3296,-
SCH-P-G 240, painted	A	3408,-	479,-	3887,-
Snow Plough Type SCH-P-S	Category	Price	Freight charges	Price including freight charges
SCH-P-S 150, painted	A	2318,-	426,-	2744,-
SCH-P-S 180, painted	A	2476,-	426,-	2902,-
SCH-P-S 210, painted	A	2629,-	426,-	3055,-
SCH-P-S 240, painted	A	3128,-	479,-	3607,-
Snow Plough Type SCH-P-V	Category	Price	Freight charges	Price including freight charges
SCH-P-V 150, painted	A	2681,-	426,-	3107,-
SCH-P-V 180, painted	A	2949,-	426,-	3375,-
SCH-P-V 210, painted	A	3200,-	426,-	3626,-
SCH-P-V 240, painted	A	3741,-	479,-	4220,-
Snowdozer Type SCH-S	Category	Price	Freight charges	Price including freight charges
SCH-S 150, painted	A	1407,-	291,-	1698,-
SCH-S 180, painted	A	1528,-	291,-	1819,-
SCH-S 210, painted	A	1760,-	426,-	2186,-
SCH-S 240, painted	A	1880,-	479,-	2359,-
Snow Plough Type SCH-U-G	Category	Price	Freight charges	Price including freight charges
SCH-U-G 150, painted	A	2493,-	426,-	2919,-
SCH-U-G 180, painted	A	2677,-	426,-	3103,-

Prices in EUR, valid EXW DE-46354 Südlohn, DE-38820 Halberstadt, unpacked
Freight charges valid CPT Romania, islands and oversea territories excluded

Price List 0726 en-RO

Forklift Truck Attachments



Snow Plough Type SCH-U-G	Category	Price	Freight charges	Price including freight charges
SCH-U-G 210, painted	A	2870,-	426,-	3296,-
SCH-U-G 240, painted	A	3408,-	479,-	3887,-

Snow Plough Type SCH-U-S	Category	Price	Freight charges	Price including freight charges
SCH-U-S 150, painted	A	2318,-	426,-	2744,-
SCH-U-S 180, painted	A	2476,-	426,-	2902,-
SCH-U-S 210, painted	A	2629,-	426,-	3055,-
SCH-U-S 240, painted	A	3128,-	479,-	3607,-

Snow Plough Type SCH-U-V	Category	Price	Freight charges	Price including freight charges
SCH-U-V 150, painted	A	2681,-	426,-	3107,-
SCH-U-V 180, painted	A	2949,-	426,-	3375,-
SCH-U-V 210, painted	A	3200,-	426,-	3626,-
SCH-U-V 240, painted	A	3741,-	479,-	4220,-

Snowdozer Type SCH-V	Category	Price	Freight charges	Price including freight charges
SCH-V 150, painted	A	1769,-	291,-	2060,-
SCH-V 180, painted	A	1991,-	291,-	2282,-
SCH-V 210, painted	A	2331,-	426,-	2757,-
SCH-V 240, painted	A	2492,-	479,-	2971,-

Silo Container Type SG	Category	Price	Freight charges	Price including freight charges
SG 375, painted	E	1014,-	291,-	1305,-
Lid, galvanized	E	131,-	28,-	159,-
SG 375, hot-dip galvanized	E	1760,-	291,-	2051,-
Lid, galvanized	E	131,-	28,-	159,-
SG 600, painted	E	1209,-	291,-	1500,-
Lid, galvanized	E	131,-	28,-	159,-
SG 600, hot-dip galvanized	E	1951,-	291,-	2242,-
Lid, galvanized	E	131,-	28,-	159,-

Silo Container Type SG-D	Category	Price	Freight charges	Price including freight charges
SG-D 375, painted	E	1014,-	173,-	1187,-
Lid, galvanized	E	131,-	28,-	159,-
SG-D 375, hot-dip galvanized	E	1760,-	291,-	2051,-
Lid, galvanized	E	131,-	28,-	159,-
SG-D 600, painted	E	1209,-	291,-	1500,-
Lid, galvanized	E	131,-	28,-	159,-
SG-D 600, hot-dip galvanized	E	1951,-	291,-	2242,-
Lid, galvanized	E	131,-	28,-	159,-

Silo Container Type SGK	Category	Price	Freight charges	Price including freight charges
SGK 50, painted	A	1115,-	291,-	1406,-
SGK 50, hot-dip galvanized	A	1142,-	291,-	1433,-
SGK 75, painted	A	1214,-	291,-	1505,-

Prices in EUR, valid EXW DE-46354 Südlohn, DE-38820 Halberstadt, unpacked
 Freight charges valid CPT Romania, islands and oversea territories excluded

Price List 0726 en-R0

Forklift Truck Attachments



Silo Container Type SGK	Category	Price	Freight charges	Price including freight charges
SGK 75, hot-dip galvanized	A	1251,-	291,-	1542,-
SGK 100, painted	A	1327,-	291,-	1618,-
SGK 100, hot-dip galvanized	A	1367,-	291,-	1658,-
Silo Container Type SGS	Category	Price	Freight charges	Price including freight charges
SGS 50, painted	A	885,-	173,-	1058,-
SGS 50, hot-dip galvanized	A	902,-	291,-	1193,-
SGS 75, painted	A	982,-	291,-	1273,-
SGS 75, hot-dip galvanized	A	1015,-	291,-	1306,-
SGS 100, painted	A	1078,-	291,-	1369,-
SGS 100, hot-dip galvanized	A	1110,-	291,-	1401,-
Swarf Tilting Container Type SGU	Category	Price	Freight charges	Price including freight charges
SGU 30, painted	A	940,-	291,-	1231,-
Lid, galvanized	A	98,-	18,-	116,-
Castor Set, polyamide, Load capacity 1350 kg / castor set	A	192,-	15,-	207,-
Crane lifting eyes for use with a crane	A	106,-	8,-	114,-
Support legs, 100 mm ground leeway	A	70,-	8,-	78,-
SGU 30, hot-dip galvanized	A	1117,-	291,-	1408,-
Lid, galvanized	A	98,-	18,-	116,-
Castor Set, polyamide, Load capacity 1350 kg / castor set	A	192,-	15,-	207,-
Crane lifting eyes for use with a crane	A	106,-	8,-	114,-
Support legs, 100 mm ground leeway	A	70,-	8,-	78,-
SGU 50, painted	A	1163,-	291,-	1454,-
Lid, galvanized	A	98,-	18,-	116,-
Castor Set, polyamide, Load capacity 1350 kg / castor set	A	192,-	15,-	207,-
Adjustable dumping brake	A	464,-	10,-	474,-
Crane lifting eyes for use with a crane	A	106,-	8,-	114,-
Support legs, 100 mm ground leeway	A	70,-	8,-	78,-
SGU 50, hot-dip galvanized	A	1407,-	291,-	1698,-
Lid, galvanized	A	98,-	18,-	116,-
Castor Set, polyamide, Load capacity 1350 kg / castor set	A	192,-	15,-	207,-
Adjustable dumping brake	A	464,-	10,-	474,-
Crane lifting eyes for use with a crane	A	106,-	8,-	114,-
Support legs, 100 mm ground leeway	A	70,-	8,-	78,-
SGU 75, painted	A	1312,-	291,-	1603,-
Lid, galvanized	A	139,-	26,-	165,-
Castor Set, polyamide, Load capacity 1350 kg / castor set	A	192,-	15,-	207,-
Adjustable dumping brake	A	464,-	10,-	474,-
Crane lifting eyes for use with a crane	A	106,-	8,-	114,-
Support legs, 100 mm ground leeway	A	70,-	8,-	78,-
SGU 75, hot-dip galvanized	A	1623,-	291,-	1914,-
Lid, galvanized	A	139,-	26,-	165,-
Castor Set, polyamide, Load capacity 1350 kg / castor set	A	192,-	15,-	207,-
Adjustable dumping brake	A	464,-	10,-	474,-

Prices in EUR, valid EXW DE-46354 Südlohn, DE-38820 Halberstadt, unpacked
Freight charges valid CPT Romania, islands and oversea territories excluded

Price List 0726 en-R0

Forklift Truck Attachments



Swarf Tilting Container Type SGU	Category	Price	Freight charges	Price including freight charges
Crane lifting eyes for use with a crane	A	106,-	8,-	114,-
Support legs, 100 mm ground leeway	A	70,-	8,-	78,-
SGU 100, painted	A	1571,-	426,-	1997,-
Lid, galvanized	A	192,-	27,-	219,-
Castor Set, polyamide, Load capacity 1350 kg / castor set	A	192,-	15,-	207,-
Adjustable dumping brake	A	464,-	10,-	474,-
Crane lifting eyes for use with a crane	A	106,-	8,-	114,-
Support legs, 100 mm ground leeway	A	70,-	8,-	78,-
SGU 100, hot-dip galvanized	A	2120,-	426,-	2546,-
Lid, galvanized	A	192,-	27,-	219,-
Castor Set, polyamide, Load capacity 1350 kg / castor set	A	192,-	15,-	207,-
Adjustable dumping brake	A	464,-	10,-	474,-
Crane lifting eyes for use with a crane	A	106,-	8,-	114,-
Support legs, 100 mm ground leeway	A	70,-	8,-	78,-
SGU 150, painted	A	1764,-	426,-	2190,-
Lid, galvanized	A	192,-	27,-	219,-
Castor Set, polyamide, Load capacity 1350 kg / castor set	A	192,-	15,-	207,-
Adjustable dumping brake	A	464,-	10,-	474,-
Crane lifting eyes for use with a crane	A	106,-	8,-	114,-
Support legs, 100 mm ground leeway	A	70,-	8,-	78,-
SGU 150, hot-dip galvanized	A	2242,-	426,-	2668,-
Lid, galvanized	A	192,-	27,-	219,-
Castor Set, polyamide, Load capacity 1350 kg / castor set	A	192,-	15,-	207,-
Adjustable dumping brake	A	464,-	10,-	474,-
Crane lifting eyes for use with a crane	A	106,-	8,-	114,-
Support legs, 100 mm ground leeway	A	70,-	8,-	78,-
SGU 200, painted	A	2215,-	515,-	2730,-
Lid, galvanized	A	226,-	32,-	258,-
Castor Set, polyamide, Load capacity 1350 kg / castor set	A	192,-	15,-	207,-
Adjustable dumping brake	A	464,-	10,-	474,-
Crane lifting eyes for use with a crane	A	106,-	8,-	114,-
Support legs, 100 mm ground leeway	A	70,-	8,-	78,-
SGU 200, hot-dip galvanized	A	2779,-	515,-	3294,-
Castor Set, polyamide, Load capacity 1350 kg / castor set	A	192,-	15,-	207,-
Lid, galvanized	A	226,-	32,-	258,-
Adjustable dumping brake	A	464,-	10,-	474,-
Crane lifting eyes for use with a crane	A	106,-	8,-	114,-
Support legs, 100 mm ground leeway	A	70,-	8,-	78,-
Swarf Tilting Container Type SGU-RZ	Category	Price	Freight charges	Price including freight charges
SGU-RZ 30, painted	A	972,-	291,-	1263,-
Lid, galvanized	A	95,-	18,-	113,-
SGU-RZ 30, hot-dip galvanized	A	1097,-	291,-	1388,-
Lid, galvanized	A	95,-	18,-	113,-
SGU-RZ 55, painted	A	1202,-	291,-	1493,-
Lid, galvanized	A	95,-	18,-	113,-

Prices in EUR, valid EXW DE-46354 Südlohn, DE-38820 Halberstadt, unpacked
Freight charges valid CPT Romania, islands and oversea territories excluded

Price List 0726 en-RO

Forklift Truck Attachments



Swarf Tilting Container Type SGU-RZ	Category	Price	Freight charges	Price including freight charges
SGU-RZ 55, hot-dip galvanized	A	1314,-	291,-	1605,-
Lid, galvanized	A	95,-	18,-	113,-
Gritter Type SH	Category	Price	Freight charges	Price including freight charges
SH, painted	A	3569,-	291,-	3860,-
Tarpaulin	A	122,-	10,-	132,-
Forklift Safety Cage Type SIKO	Category	Price	Freight charges	Price including freight charges
SIKO, painted	A	726,-	291,-	1017,-
Castor Set, polyamide, Load capacity 1050 kg / castor set	A	136,-	15,-	151,-
Forklift Safety Cage Type SIKO/L	Category	Price	Freight charges	Price including freight charges
SIKO/L, painted	A	878,-	291,-	1169,-
Castor Set, polyamide, Load capacity 1050 kg / castor set	A	136,-	15,-	151,-
Forklift Safety Cage Type SIKO-G	Category	Price	Freight charges	Price including freight charges
SIKO-G, painted	A	657,-	173,-	830,-
Forklift Safety Cage Type SIKO-M	Category	Price	Freight charges	Price including freight charges
SIKO-M, painted	A	529,-	173,-	702,-
Heavy Duty Tilting Container Type SK	Category	Price	Freight charges	Price including freight charges
SK 300, painted	A	1281,-	426,-	1707,-
Lid, galvanized	A	174,-	18,-	192,-
Heavy-duty Castor Set, polyamide, Load capacity 2550 kg / castor set	A	379,-	15,-	394,-
Skip Body Welded Oil and Watertight	A	78,-	0,-	78,-
SK 300, hot-dip galvanized	A	1555,-	426,-	1981,-
Lid, galvanized	A	174,-	18,-	192,-
Heavy-duty Castor Set, polyamide, Load capacity 2550 kg / castor set	A	379,-	15,-	394,-
Skip Body Welded Oil and Watertight	A	78,-	0,-	78,-
SK 600, painted	A	1386,-	426,-	1812,-
Lid, galvanized	A	196,-	22,-	218,-
Heavy-duty Castor Set, polyamide, Load capacity 2550 kg / castor set	A	379,-	15,-	394,-
Skip Body Welded Oil and Watertight	A	78,-	0,-	78,-
SK 600, hot-dip galvanized	A	1724,-	515,-	2239,-
Lid, galvanized	A	196,-	22,-	218,-
Heavy-duty Castor Set, polyamide, Load capacity 2550 kg / castor set	A	379,-	15,-	394,-
Skip Body Welded Oil and Watertight	A	78,-	0,-	78,-
SK 900, painted	A	1510,-	515,-	2025,-
Lid, galvanized	A	223,-	27,-	250,-
Heavy-duty Castor Set, polyamide, Load capacity 2550 kg / castor set	A	379,-	15,-	394,-
Skip Body Welded Oil and Watertight	A	78,-	0,-	78,-
SK 900, hot-dip galvanized	A	1941,-	515,-	2456,-
Lid, galvanized	A	223,-	27,-	250,-
Heavy-duty Castor Set, polyamide, Load capacity 2550 kg / castor set	A	379,-	15,-	394,-

Prices in EUR, valid EXW DE-46354 Südlohn, DE-38820 Halberstadt, unpacked
Freight charges valid CPT Romania, islands and oversea territories excluded

Price List 0726 en-RO

Forklift Truck Attachments



Heavy Duty Tilting Container Type SK	Category	Price	Freight charges	Price including freight charges
Skip Body Welded Oil and Watertight	A	78,-	0,-	78,-
SK 1200, painted	A	1770,-	515,-	2285,-
Lid, galvanized	A	223,-	26,-	249,-
Heavy-duty Castor Set, polyamide, Load capacity 2550 kg / castor set	A	379,-	15,-	394,-
Skip Body Welded Oil and Watertight	A	121,-	0,-	121,-
SK 1200, hot-dip galvanized	A	2277,-	753,-	3030,-
Lid, galvanized	A	223,-	26,-	249,-
Heavy-duty Castor Set, polyamide, Load capacity 2550 kg / castor set	A	379,-	15,-	394,-
Skip Body Welded Oil and Watertight	A	121,-	0,-	121,-
SK 1700, painted	A	1862,-	753,-	2615,-
Lid, galvanized	A	276,-	33,-	309,-
Heavy-duty Castor Set, polyamide, Load capacity 2550 kg / castor set	A	379,-	15,-	394,-
Skip Body Welded Oil and Watertight	A	121,-	0,-	121,-
SK 1700, hot-dip galvanized	A	2492,-	753,-	3245,-
Lid, galvanized	A	276,-	33,-	309,-
Heavy-duty Castor Set, polyamide, Load capacity 2550 kg / castor set	A	379,-	15,-	394,-
Skip Body Welded Oil and Watertight	A	121,-	0,-	121,-
SK 2100, painted	A	2032,-	753,-	2785,-
Lid, galvanized	A	360,-	36,-	396,-
Heavy-duty Castor Set, polyamide, Load capacity 2550 kg / castor set	A	379,-	15,-	394,-
Skip Body Welded Oil and Watertight	A	121,-	0,-	121,-
SK 2100, hot-dip galvanized	A	2739,-	753,-	3492,-
Lid, galvanized	A	360,-	36,-	396,-
Heavy-duty Castor Set, polyamide, Load capacity 2550 kg / castor set	A	379,-	15,-	394,-
Skip Body Welded Oil and Watertight	A	121,-	0,-	121,-
Broom Type SKB	Category	Price	Freight charges	Price including freight charges
SKB 100, painted	A	958,-	173,-	1131,-
SKB 150, painted	A	1197,-	173,-	1370,-
SKB 200, painted	A	1475,-	173,-	1648,-
Broom Type SKB-0	Category	Price	Freight charges	Price including freight charges
SKB-0 100, painted	A	658,-	173,-	831,-
SKB-0 150, painted	A	898,-	173,-	1071,-
SKB-0 200, painted	A	1176,-	173,-	1349,-
Swarf Tipping Skip Type SKK	Category	Price	Freight charges	Price including freight charges
SKK 250, painted	E	534,-	173,-	707,-
Lid, galvanized	E	136,-	15,-	151,-
Castor Set, polyamide, Load capacity 1050 kg / castor set	A	136,-	15,-	151,-
Castor Set, solid rubber, Load capacity 615 kg / castor set	E	103,-	15,-	118,-
SKK 250, hot-dip galvanized	E	583,-	173,-	756,-
Lid, galvanized	E	136,-	15,-	151,-
Castor Set, polyamide, Load capacity 1050 kg / castor set	A	136,-	15,-	151,-
Castor Set, solid rubber, Load capacity 615 kg / castor set	E	103,-	15,-	118,-

Prices in EUR, valid EXW DE-46354 Südlohn, DE-38820 Halberstadt, unpacked
Freight charges valid CPT Romania, islands and oversea territories excluded

Price List 0726 en-RO

Forklift Truck Attachments



Swarf Tipping Skip Type SKK	Category	Price	Freight charges	Price including freight charges
SKK 400, painted	E	600,-	173,-	773,-
Lid, galvanized	E	156,-	16,-	172,-
Castor Set, polyamide, Load capacity 1050 kg / castor set	A	136,-	15,-	151,-
Castor Set, solid rubber, Load capacity 615 kg / castor set	E	103,-	15,-	118,-
SKK 400, hot-dip galvanized	E	649,-	173,-	822,-
Lid, galvanized	E	156,-	16,-	172,-
Castor Set, polyamide, Load capacity 1050 kg / castor set	A	136,-	15,-	151,-
Castor Set, solid rubber, Load capacity 615 kg / castor set	E	103,-	15,-	118,-
SKK 600, painted	E	815,-	291,-	1106,-
Lid, galvanized	E	173,-	20,-	193,-
Castor Set, polyamide, Load capacity 1050 kg / castor set	A	136,-	15,-	151,-
Castor Set, solid rubber, Load capacity 615 kg / castor set	E	103,-	15,-	118,-
SKK 600, hot-dip galvanized	E	914,-	291,-	1205,-
Lid, galvanized	E	173,-	20,-	193,-
Castor Set, polyamide, Load capacity 1050 kg / castor set	A	136,-	15,-	151,-
Castor Set, solid rubber, Load capacity 615 kg / castor set	E	103,-	15,-	118,-
SKK 800, painted	E	872,-	291,-	1163,-
Lid, galvanized	E	181,-	21,-	202,-
Castor Set, polyamide, Load capacity 1050 kg / castor set	A	136,-	15,-	151,-
Castor Set, solid rubber, Load capacity 615 kg / castor set	E	103,-	15,-	118,-
SKK 800, hot-dip galvanized	E	980,-	291,-	1271,-
Lid, galvanized	E	181,-	21,-	202,-
Castor Set, polyamide, Load capacity 1050 kg / castor set	A	136,-	15,-	151,-
Castor Set, solid rubber, Load capacity 615 kg / castor set	E	103,-	15,-	118,-
SKK 1000, painted	E	930,-	291,-	1221,-
Lid, galvanized	E	193,-	22,-	215,-
Castor Set, polyamide, Load capacity 1050 kg / castor set	A	136,-	15,-	151,-
Castor Set, solid rubber, Load capacity 615 kg / castor set	E	103,-	15,-	118,-
SKK 1000, hot-dip galvanized	E	1063,-	291,-	1354,-
Lid, galvanized	E	193,-	22,-	215,-
Castor Set, polyamide, Load capacity 1050 kg / castor set	A	136,-	15,-	151,-
Castor Set, solid rubber, Load capacity 615 kg / castor set	E	103,-	15,-	118,-

Swarf Tilting Container Type SKM	Category	Price	Freight charges	Price including freight charges
SKM 30, painted	A	950,-	291,-	1241,-
Lid, galvanized	A	104,-	18,-	122,-
SKM 30, hot-dip galvanized	A	1148,-	291,-	1439,-
Lid, galvanized	A	104,-	18,-	122,-
SKM 50, painted	A	1220,-	291,-	1511,-
Lid, galvanized	A	158,-	28,-	186,-
SKM 50, hot-dip galvanized	A	1478,-	291,-	1769,-
Lid, galvanized	A	158,-	28,-	186,-
SKM 75, painted	A	1469,-	291,-	1760,-
Lid, galvanized	A	175,-	33,-	208,-
SKM 75, hot-dip galvanized	A	1790,-	426,-	2216,-
Lid, galvanized	A	175,-	33,-	208,-

Prices in EUR, valid EXW DE-46354 Südlohn, DE-38820 Halberstadt, unpacked
Freight charges valid CPT Romania, islands and oversea territories excluded

Price List 0726 en-RO

Forklift Truck Attachments



Swarf Tipping Skip Type SKN	Category	Price	Freight charges	Price including freight charges
SKN 250, painted	E	534,-	173,-	707,-
Lid, galvanized	E	136,-	15,-	151,-
Castor Set, polyamide, Load capacity 1050 kg / castor set	A	136,-	15,-	151,-
Castor Set, solid rubber, Load capacity 615 kg / castor set	E	103,-	15,-	118,-
SKN 250, hot-dip galvanized	E	583,-	173,-	756,-
Lid, galvanized	E	136,-	15,-	151,-
Castor Set, polyamide, Load capacity 1050 kg / castor set	A	136,-	15,-	151,-
Castor Set, solid rubber, Load capacity 615 kg / castor set	E	103,-	15,-	118,-
SKN 400, painted	E	600,-	173,-	773,-
Lid, galvanized	E	156,-	16,-	172,-
Castor Set, polyamide, Load capacity 1050 kg / castor set	A	136,-	15,-	151,-
Castor Set, solid rubber, Load capacity 615 kg / castor set	E	103,-	15,-	118,-
SKN 400, hot-dip galvanized	E	649,-	173,-	822,-
Lid, galvanized	E	156,-	16,-	172,-
Castor Set, polyamide, Load capacity 1050 kg / castor set	A	136,-	15,-	151,-
Castor Set, solid rubber, Load capacity 615 kg / castor set	E	103,-	15,-	118,-

Swarf Tipping Skip Type SKS	Category	Price	Freight charges	Price including freight charges
SKS 400, painted	E	946,-	291,-	1237,-
SKS 550, painted	E	1013,-	291,-	1304,-
SKS 700, painted	E	1072,-	291,-	1363,-

Swarf Barrow Tipper Type SKW-ET	Category	Price	Freight charges	Price including freight charges
SKW-ET 250, painted	E	638,-	173,-	811,-
Lid, galvanized	E	136,-	15,-	151,-
SKW-ET 250, hot-dip galvanized	E	975,-	173,-	1148,-
Lid, galvanized	E	136,-	15,-	151,-
SKW-ET 400, painted	E	697,-	173,-	870,-
Lid, galvanized	E	156,-	16,-	172,-
SKW-ET 400, hot-dip galvanized	E	1071,-	173,-	1244,-
Lid, galvanized	E	156,-	16,-	172,-
SKW-ET 600, painted	E	851,-	291,-	1142,-
Lid, galvanized	E	173,-	20,-	193,-
SKW-ET 600, hot-dip galvanized	E	1233,-	291,-	1524,-
Lid, galvanized	E	173,-	20,-	193,-
SKW-ET 1000, painted	E	1032,-	291,-	1323,-
Lid, galvanized	E	193,-	22,-	215,-
SKW-ET 1000, hot-dip galvanized	E	1643,-	291,-	1934,-
Lid, galvanized	E	193,-	22,-	215,-

Mini Swarf Tilting Container Type SMGU	Category	Price	Freight charges	Price including freight charges
SMGU 230, painted	A	689,-	173,-	862,-
Lid, galvanized	A	131,-	18,-	149,-
Castor Set, polyamide, Load capacity 1050 kg / castor set	A	156,-	15,-	171,-
SMGU 230, hot-dip galvanized	A	775,-	291,-	1066,-

Prices in EUR, valid EXW DE-46354 Südlohn, DE-38820 Halberstadt, unpacked
Freight charges valid CPT Romania, islands and oversea territories excluded

Price List 0726 en-RO

Forklift Truck Attachments



Mini Swarf Tilting Container Type SMGU	Category	Price	Freight charges	Price including freight charges
Lid, galvanized	A	131,-	18,-	149,-
Castor Set, polyamide, Load capacity 1050 kg / castor set	A	156,-	15,-	171,-
SMGU 270, painted	A	744,-	291,-	1035,-
Lid, galvanized	A	131,-	18,-	149,-
Castor Set, polyamide, Load capacity 1050 kg / castor set	A	156,-	15,-	171,-
SMGU 270, hot-dip galvanized	A	850,-	291,-	1141,-
Lid, galvanized	A	131,-	18,-	149,-
Castor Set, polyamide, Load capacity 1050 kg / castor set	A	156,-	15,-	171,-
SMGU 460, painted	A	935,-	291,-	1226,-
Lid, galvanized	A	169,-	22,-	191,-
Castor Set, polyamide, Load capacity 1050 kg / castor set	A	156,-	15,-	171,-
SMGU 460, hot-dip galvanized	A	1088,-	291,-	1379,-
Lid, galvanized	A	169,-	22,-	191,-
Castor Set, polyamide, Load capacity 1050 kg / castor set	A	156,-	15,-	171,-
SMGU 610, painted	A	1041,-	291,-	1332,-
Lid, galvanized	A	181,-	26,-	207,-
Castor Set, polyamide, Load capacity 1050 kg / castor set	A	156,-	15,-	171,-
SMGU 610, hot-dip galvanized	A	1209,-	291,-	1500,-
Lid, galvanized	A	181,-	26,-	207,-
Castor Set, polyamide, Load capacity 1050 kg / castor set	A	156,-	15,-	171,-

Silo Container Type SR	Category	Price	Freight charges	Price including freight charges
SR 375, painted	E	844,-	173,-	1017,-
Lid, galvanized	E	131,-	33,-	164,-
SR 375, hot-dip galvanized	E	1584,-	173,-	1757,-
Lid, galvanized	E	131,-	33,-	164,-
SR 600, painted	E	1048,-	291,-	1339,-
Lid, galvanized	E	131,-	33,-	164,-
SR 600, hot-dip galvanized	E	1801,-	291,-	2092,-
Lid, galvanized	E	131,-	33,-	164,-

Silo Container Type SR-D	Category	Price	Freight charges	Price including freight charges
SR-D 375, painted	E	844,-	173,-	1017,-
Lid, galvanized	E	131,-	33,-	164,-
SR-D 375, hot-dip galvanized	E	1584,-	173,-	1757,-
Lid, galvanized	E	131,-	33,-	164,-
SR-D 600, painted	E	1048,-	291,-	1339,-
Lid, galvanized	E	131,-	33,-	164,-
SR-D 600, hot-dip galvanized	E	1801,-	291,-	2092,-
Lid, galvanized	E	131,-	33,-	164,-

Silo Container Type SRE	Category	Price	Freight charges	Price including freight charges
SRE 375, painted	E	962,-	291,-	1253,-
Lid, galvanized	E	131,-	33,-	164,-
SRE 375, hot-dip galvanized	E	1723,-	291,-	2014,-

Prices in EUR, valid EXW DE-46354 Südlohn, DE-38820 Halberstadt, unpacked
 Freight charges valid CPT Romania, islands and oversea territories excluded

Price List 0726 en-R0

Forklift Truck Attachments



Silo Container Type SRE	Category	Price	Freight charges	Price including freight charges
Lid, galvanized	E	131,-	33,-	164,-
SRE 600, painted	E	1171,-	291,-	1462,-
Lid, galvanized	E	131,-	33,-	164,-
SRE 600, hot-dip galvanized	E	1857,-	291,-	2148,-
Lid, galvanized	E	131,-	33,-	164,-
Silo Container Type SRE-D	Category	Price	Freight charges	Price including freight charges
SRE-D 375, painted	E	962,-	173,-	1135,-
Lid, galvanized	E	131,-	33,-	164,-
SRE-D 375, hot-dip galvanized	E	1723,-	291,-	2014,-
Lid, galvanized	E	131,-	33,-	164,-
SRE-D 600, painted	E	1171,-	291,-	1462,-
Lid, galvanized	E	131,-	33,-	164,-
SRE-D 600, hot-dip galvanized	E	1857,-	291,-	2148,-
Lid, galvanized	E	131,-	33,-	164,-
Forklift Tender System Type STS	Category	Price	Freight charges	Price including freight charges
STS 2,5, painted	C	3857,-	on request	on request
STS 5,0, painted	C	4546,-	on request	on request
Spreader Type STW	Category	Price	Freight charges	Price including freight charges
STW 100, painted	A	1216,-	173,-	1389,-
Tarpaulin	A	116,-	10,-	126,-
STW 260, painted	A	2147,-	173,-	2320,-
Tarpaulin	A	122,-	10,-	132,-
Traverse for Big Bags Type TBB	Category	Price	Freight charges	Price including freight charges
TBB, painted	A	901,-	173,-	1074,-
Traverse For Big Bags Type TBB-E	Category	Price	Freight charges	Price including freight charges
TBB-E, painted	A	852,-	173,-	1025,-
Traverse For Big Bags Type TBB-W	Category	Price	Freight charges	Price including freight charges
TBB-W, painted	A	1093,-	173,-	1266,-
Mini Lifting Beam Type TM	Category	Price	Freight charges	Price including freight charges
TM 200-500, hot-dip galvanized	F	399,-	118,-	517,-
TM 400-800, hot-dip galvanized	F	429,-	118,-	547,-
TM 800-1200, hot-dip galvanized	F	566,-	118,-	684,-
Tilting Container Type TRIO	Category	Price	Freight charges	Price including freight charges
TRIO, painted	A	2333,-	515,-	2848,-
Lid, galvanized	A	215,-	26,-	241,-
Castor Set, polyamide, Load capacity 1350 kg / castor set	A	192,-	15,-	207,-

Prices in EUR, valid EXW DE-46354 Südlohn, DE-38820 Halberstadt, unpacked
Freight charges valid CPT Romania, islands and oversea territories excluded

Price List 0726 en-RO

Forklift Truck Attachments



Tilting Container Type TRIO	Category	Price	Freight charges	Price including freight charges
Set of 5 self-adhesive stickers with symbols for: glass, paper, plastic, metal, residual waste	A	29,-	on request	on request

Universal Container Type UC	Category	Price	Freight charges	Price including freight charges
UC 500, painted	A	675,-	173,-	848,-
Lid, galvanized	A	168,-	16,-	184,-
Castor Set, polyamide, Load capacity 1350 kg / castor set	A	192,-	15,-	207,-
Pick-up Profile on Type UC for Traverse Type UCT	A	106,-	0,-	106,-
UC 500, hot-dip galvanized	A	771,-	291,-	1062,-
Lid, galvanized	A	168,-	16,-	184,-
Castor Set, polyamide, Load capacity 1350 kg / castor set	A	192,-	15,-	207,-
Pick-up Profile on Type UC for Traverse Type UCT	A	106,-	0,-	106,-
UC 750, painted	A	734,-	291,-	1025,-
Lid, galvanized	A	168,-	16,-	184,-
Castor Set, polyamide, Load capacity 1350 kg / castor set	A	192,-	15,-	207,-
Pick-up Profile on Type UC for Traverse Type UCT	A	106,-	0,-	106,-
UC 750, hot-dip galvanized	A	853,-	291,-	1144,-
Lid, galvanized	A	168,-	16,-	184,-
Castor Set, polyamide, Load capacity 1350 kg / castor set	A	192,-	15,-	207,-
Pick-up Profile on Type UC for Traverse Type UCT	A	106,-	0,-	106,-
UC 1000, painted	A	771,-	291,-	1062,-
Lid, galvanized	A	168,-	16,-	184,-
Castor Set, polyamide, Load capacity 1350 kg / castor set	A	192,-	15,-	207,-
Pick-up Profile on Type UC for Traverse Type UCT	A	106,-	0,-	106,-
UC 1000, hot-dip galvanized	A	894,-	291,-	1185,-
Lid, galvanized	A	168,-	16,-	184,-
Castor Set, polyamide, Load capacity 1350 kg / castor set	A	192,-	15,-	207,-
Pick-up Profile on Type UC for Traverse Type UCT	A	106,-	0,-	106,-

Hydraulic Traverse Type UCT	Category	Price	Freight charges	Price including freight charges
UCT, painted	A	2737,-	426,-	3163,-

Tilting Container Type VD	Category	Price	Freight charges	Price including freight charges
VD 500, painted	A	794,-	291,-	1085,-
Lid, galvanized	A	144,-	18,-	162,-
Castor Set, polyamide, Load capacity 1350 kg / castor set	A	192,-	15,-	207,-
Skip Body Welded Oil and Watertight	A	78,-	0,-	78,-
VD 500, hot-dip galvanized	A	1033,-	291,-	1324,-
Lid, galvanized	A	144,-	18,-	162,-
Castor Set, polyamide, Load capacity 1350 kg / castor set	A	192,-	15,-	207,-
Skip Body Welded Oil and Watertight	A	78,-	0,-	78,-
VD 650, painted	A	868,-	291,-	1159,-
Lid, galvanized	A	144,-	18,-	162,-
Castor Set, polyamide, Load capacity 1350 kg / castor set	A	192,-	15,-	207,-
Skip Body Welded Oil and Watertight	A	78,-	0,-	78,-
VD 650, hot-dip galvanized	A	1130,-	291,-	1421,-

Prices in EUR, valid EXW DE-46354 Südlohn, DE-38820 Halberstadt, unpacked
 Freight charges valid CPT Romania, islands and oversea territories excluded

Price List 0726 en-RO

Forklift Truck Attachments



Tilting Container Type VD	Category	Price	Freight charges	Price including freight charges
Lid, galvanized	A	144,-	18,-	162,-
Castor Set, polyamide, Load capacity 1350 kg / castor set	A	192,-	15,-	207,-
Skip Body Welded Oil and Watertight	A	78,-	0,-	78,-
VD 800, painted	A	991,-	291,-	1282,-
Lid, galvanized	A	174,-	22,-	196,-
Castor Set, polyamide, Load capacity 1350 kg / castor set	A	192,-	15,-	207,-
Skip Body Welded Oil and Watertight	A	78,-	0,-	78,-
VD 800, hot-dip galvanized	A	1346,-	291,-	1637,-
Lid, galvanized	A	174,-	22,-	196,-
Castor Set, polyamide, Load capacity 1350 kg / castor set	A	192,-	15,-	207,-
Skip Body Welded Oil and Watertight	A	78,-	0,-	78,-
VD 1000, painted	A	1041,-	291,-	1332,-
Lid, galvanized	A	174,-	22,-	196,-
Castor Set, polyamide, Load capacity 1350 kg / castor set	A	192,-	15,-	207,-
Skip Body Welded Oil and Watertight	A	121,-	0,-	121,-
VD 1000, hot-dip galvanized	A	1469,-	291,-	1760,-
Lid, galvanized	A	174,-	22,-	196,-
Castor Set, polyamide, Load capacity 1350 kg / castor set	A	192,-	15,-	207,-
Skip Body Welded Oil and Watertight	A	121,-	0,-	121,-

Tilting Container Type VG	Category	Price	Freight charges	Price including freight charges
VG 550, painted	A	812,-	291,-	1103,-
Lid, galvanized	A	144,-	18,-	162,-
Castor Set, polyamide, Load capacity 1350 kg / castor set	A	192,-	15,-	207,-
Skip Body Welded Oil and Watertight	A	78,-	0,-	78,-
VG 550, hot-dip galvanized	A	1058,-	291,-	1349,-
Lid, galvanized	A	144,-	18,-	162,-
Castor Set, polyamide, Load capacity 1350 kg / castor set	A	192,-	15,-	207,-
Skip Body Welded Oil and Watertight	A	78,-	0,-	78,-
VG 700, painted	A	962,-	291,-	1253,-
Lid, galvanized	A	144,-	18,-	162,-
Castor Set, polyamide, Load capacity 1350 kg / castor set	A	192,-	15,-	207,-
Skip Body Welded Oil and Watertight	A	78,-	0,-	78,-
VG 700, hot-dip galvanized	A	1252,-	291,-	1543,-
Lid, galvanized	A	144,-	18,-	162,-
Castor Set, polyamide, Load capacity 1350 kg / castor set	A	192,-	15,-	207,-
Skip Body Welded Oil and Watertight	A	78,-	0,-	78,-
VG 900, painted	A	1060,-	291,-	1351,-
Lid, galvanized	A	174,-	22,-	196,-
Castor Set, polyamide, Load capacity 1350 kg / castor set	A	192,-	15,-	207,-
Skip Body Welded Oil and Watertight	A	78,-	0,-	78,-
VG 900, hot-dip galvanized	A	1502,-	291,-	1793,-
Lid, galvanized	A	174,-	22,-	196,-
Castor Set, polyamide, Load capacity 1350 kg / castor set	A	192,-	15,-	207,-
Skip Body Welded Oil and Watertight	A	78,-	0,-	78,-
VG 1100, painted	A	1150,-	291,-	1441,-

Prices in EUR, valid EXW DE-46354 Südlohn, DE-38820 Halberstadt, unpacked
 Freight charges valid CPT Romania, islands and oversea territories excluded

Price List 0726 en-R0

Forklift Truck Attachments



Tilting Container Type VG	Category	Price	Freight charges	Price including freight charges
Lid, galvanized	A	174,-	22,-	196,-
Castor Set, polyamide, Load capacity 1350 kg / castor set	A	192,-	15,-	207,-
Skip Body Welded Oil and Watertight	A	121,-	0,-	121,-
VG 1100, hot-dip galvanized	A	1561,-	291,-	1852,-
Lid, galvanized	A	174,-	22,-	196,-
Castor Set, polyamide, Load capacity 1350 kg / castor set	A	192,-	15,-	207,-
Skip Body Welded Oil and Watertight	A	121,-	0,-	121,-

Prices in EUR, valid EXW DE-46354 Südlohn, DE-38820 Halberstadt, unpacked
 Freight charges valid CPT Romania, islands and oversea territories excluded

Price List 0726 en-RO

Workspace Material Handling

Battery Charging Station Type BL	Category	Price	Freight charges	Price including freight charges
BL 1, painted	A	1422,-	173,-	1595,-
Fire Extinguisher	A	204,-	14,-	218,-
Storage tray for water receptacle	A	64,-	13,-	77,-
BL 2, painted	A	1798,-	173,-	1971,-
Fire Extinguisher	A	204,-	14,-	218,-
Storage tray for water receptacle	A	64,-	13,-	77,-
BL 3, painted	A	1798,-	173,-	1971,-
Fire Extinguisher	A	204,-	14,-	218,-
Storage tray for water receptacle	A	64,-	13,-	77,-
Drum Jack Roller Type FHR	Category	Price	Freight charges	Price including freight charges
FHR 600 F, painted	B	3286,-	426,-	3712,-
FHR 600 F, hot-dip galvanized	B	3641,-	426,-	4067,-
FHR 600 G, painted	B	2617,-	291,-	2908,-
FHR 600 G, hot-dip galvanized	B	2888,-	291,-	3179,-
FHR 600 K, painted	B	2617,-	291,-	2908,-
FHR 600 K, hot-dip galvanized	B	2888,-	291,-	3179,-
Drum Trolley Type FP-L	Category	Price	Freight charges	Price including freight charges
FP-L, galvanized	C	624,-	173,-	797,-
Drum Trolley Type FP-V	Category	Price	Freight charges	Price including freight charges
FP-V, galvanized	C	605,-	173,-	778,-
Drum Dolly Type FRW	Category	Price	Freight charges	Price including freight charges
FRW-I, hot-dip galvanized	A	116,-	118,-	234,-
FRW-II, hot-dip galvanized	A	154,-	118,-	272,-
FRW-III, hot-dip galvanized	A	207,-	173,-	380,-
Dolly Type GRW	Category	Price	Freight charges	Price including freight charges
GRW-I, hot-dip galvanized	F	126,-	118,-	244,-
Handle, hot-dip galvanized	F	55,-	10,-	65,-
GRW-II, hot-dip galvanized	F	143,-	118,-	261,-
Handle, hot-dip galvanized	F	55,-	10,-	65,-
GRW-III, hot-dip galvanized	F	179,-	173,-	352,-
Handle, hot-dip galvanized	F	55,-	10,-	65,-
Gas Cylinder Wall Bracket Type GWH	Category	Price	Freight charges	Price including freight charges
GWH 140-I, hot-dip galvanized	F	26,-	118,-	144,-
GWH 140-II, hot-dip galvanized	F	40,-	118,-	158,-

Prices in EUR, valid EXW DE-46354 Südlohn, DE-38820 Halberstadt, unpacked
Freight charges valid CPT Romania, islands and oversea territories excluded

Price List 0726 en-R0

Workspace Material Handling



Gas Cylinder Wall Bracket Type GWH	Category	Price	Freight charges	Price including freight charges
GWH 140-III, hot-dip galvanized	F	59,-	118,-	177,-
GWH 230-I, hot-dip galvanized	F	28,-	118,-	146,-
GWH 230-II, hot-dip galvanized	F	43,-	118,-	161,-
GWH 230-III, hot-dip galvanized	F	65,-	118,-	183,-
GWH 320-I, hot-dip galvanized	F	29,-	118,-	147,-
GWH 320-II, hot-dip galvanized	F	48,-	118,-	166,-
GWH 320-III, hot-dip galvanized	F	72,-	118,-	190,-
Fork Lifter Type GZH-A	Category	Price	Freight charges	Price including freight charges
GZH-A, painted	F	114,-	118,-	232,-
Fork Lifter Type GZH-B	Category	Price	Freight charges	Price including freight charges
GZH-B, painted	F	114,-	118,-	232,-
Fork Pallet Type GZP	Category	Price	Freight charges	Price including freight charges
GZP 4, hot-dip galvanized	A	161,-	173,-	334,-
GZP 8, hot-dip galvanized	A	201,-	173,-	374,-
IBC Residue Drainer Type IR	Category	Price	Freight charges	Price including freight charges
IR-1, hot-dip galvanized	A	596,-	173,-	769,-
IR-2, hot-dip galvanized	A	711,-	173,-	884,-
IR-3, hot-dip galvanized	A	596,-	173,-	769,-
Tilting Canister Stand Type KAH	Category	Price	Freight charges	Price including freight charges
KAH-5, galvanized	A	96,-	118,-	214,-
KAH-25, galvanized	A	109,-	118,-	227,-
KAH-60, galvanized	A	140,-	118,-	258,-
Sheet Metal Storage Units With Trays Type KBR	Category	Price	Freight charges	Price including freight charges
KBR 1, painted	A	5985,-	1194,-	7179,-
KBR 2, painted	A	6207,-	on request	on request
KBR 3, painted	A	6667,-	on request	on request
Liftomat Type L/E	Category	Price	Freight charges	Price including freight charges
L/E 1300, painted	B	4908,-	426,-	5334,-
L/E 1300, hot-dip galvanized	B	5578,-	426,-	6004,-
Liftomat Type L/M	Category	Price	Freight charges	Price including freight charges
L/M 600, painted	B	3553,-	291,-	3844,-
L/M 600, hot-dip galvanized	B	4025,-	291,-	4316,-
L/M 1300, painted	B	3986,-	426,-	4412,-
L/M 1300, hot-dip galvanized	B	4569,-	426,-	4995,-

Prices in EUR, valid EXW DE-46354 Südlohn, DE-38820 Halberstadt, unpacked
Freight charges valid CPT Romania, islands and oversea territories excluded

Price List 0726 en-R0

Workspace Material Handling



Security Cage for Storage Type LBM	Category	Price	Freight charges	Price including freight charges
LBM 1500, hot-dip galvanized	A	2002,-	426,-	2428,-
LBM 3000, hot-dip galvanized	A	2747,-	753,-	3500,-
LBM 4500, hot-dip galvanized	A	3492,-	753,-	4245,-
LBM 6000, hot-dip galvanized	A	4232,-	968,-	5200,-
Wheelie Bin Tipping Station Type MKS	Category	Price	Freight charges	Price including freight charges
MKS-12V, painted	A	3745,-	291,-	4036,-
External Charger for 12 V electro-hydraulic constructions	A	201,-	15,-	216,-
MKS-230V, painted	A	3745,-	291,-	4036,-
Wheelie Bin Tipping Station Type MKS-F	Category	Price	Freight charges	Price including freight charges
MKS-F, painted	A	2459,-	291,-	2750,-
Wheelie Bin Tipping Station Type MKS-H	Category	Price	Freight charges	Price including freight charges
MKS-H, painted	A	2459,-	291,-	2750,-
Stillage Transport Cage Type MTP	Category	Price	Freight charges	Price including freight charges
MTP 2000, hot-dip galvanized	A	2196,-	426,-	2622,-
Tension belt	A	48,-	8,-	56,-
MTP 3000, hot-dip galvanized	A	2774,-	515,-	3289,-
Tension belt	A	48,-	8,-	56,-
Two-Wheeled Pallet Picker Type PZ	Category	Price	Freight charges	Price including freight charges
PZ, hot-dip galvanized	F	456,-	118,-	574,-
Tyre Fitting Equipment Type RM	Category	Price	Freight charges	Price including freight charges
RM, painted	F	458,-	118,-	576,-
Surround for Waste Bins Type SECOMAT	Category	Price	Freight charges	Price including freight charges
S 120-D, powder coated	B	682,-	173,-	855,-
S 120-K, powder coated	B	764,-	173,-	937,-
S 240-D, powder coated	B	782,-	173,-	955,-
S 240-K, powder coated	B	856,-	173,-	1029,-
S1100, powder-coated	B	791,-	173,-	964,-
S1100-W, powder-coated	B	1040,-	291,-	1331,-
S1100-WT, powder-coated	B	1305,-	291,-	1596,-
S1100-WTB, powder-coated	B	1408,-	291,-	1699,-
S4USE, powder coated	C	2656,-	426,-	3082,-
Gas Cylinder Pallet Type SFP	Category	Price	Freight charges	Price including freight charges
SFP 4, hot-dip galvanized	C	346,-	173,-	519,-
SFP 8, hot-dip galvanized	C	460,-	291,-	751,-

Prices in EUR, valid EXW DE-46354 Südlohn, DE-38820 Halberstadt, unpacked
Freight charges valid CPT Romania, islands and oversea territories excluded

Price List 0726 en-RO

Workspace Material Handling



Loading Support Type VS	Category	Price	Freight charges	Price including freight charges
VS, painted	C	765,-	291,-	1056,-

Prices in EUR, valid EXW DE-46354 Südlohn, DE-38820 Halberstadt, unpacked
Freight charges valid CPT Romania, islands and oversea territories excluded

Price List 0726 en-R0 Environment / Storage

Sump Trays Type SERIES 2000	Category	Price	Freight charges	Price including freight charges
2000, painted	B	250,-	173,-	423,-
2000, hot-dip galvanized	B	288,-	173,-	461,-
2002, painted	B	285,-	173,-	458,-
2002, hot-dip galvanized	B	322,-	173,-	495,-
2008, painted	B	250,-	173,-	423,-
2008, hot-dip galvanized	B	300,-	173,-	473,-
2010, painted	B	301,-	173,-	474,-
Drum Support FA 60-1, hot-dip galvanized	B	109,-	15,-	124,-
Drum Support FA 60-2, hot-dip galvanized	B	118,-	18,-	136,-
Drum Support FA 60-3, hot-dip galvanized	B	138,-	21,-	159,-
Drum Support FA 200-1, hot-dip galvanized	B	118,-	15,-	133,-
Can Shelf Type GR-A, galvanized	B	138,-	118,-	256,-
Can Shelf Type GR-B, galvanized	B	138,-	118,-	256,-
Can Shelf Type GR-C, galvanized	B	138,-	118,-	256,-
2010, hot-dip galvanized	B	351,-	173,-	524,-
Drum Support FA 60-1, hot-dip galvanized	B	109,-	15,-	124,-
Drum Support FA 60-2, hot-dip galvanized	B	118,-	18,-	136,-
Drum Support FA 60-3, hot-dip galvanized	B	138,-	21,-	159,-
Drum Support FA 200-1, hot-dip galvanized	B	118,-	15,-	133,-
Can Shelf Type GR-A, galvanized	B	138,-	118,-	256,-
Can Shelf Type GR-B, galvanized	B	138,-	118,-	256,-
Can Shelf Type GR-C, galvanized	B	138,-	118,-	256,-
2016, painted	B	262,-	173,-	435,-
2016, hot-dip galvanized	B	314,-	173,-	487,-
2018, painted	B	315,-	173,-	488,-
Drum Support FA 60-1, hot-dip galvanized	B	109,-	15,-	124,-
Drum Support FA 60-2, hot-dip galvanized	B	118,-	18,-	136,-
Drum Support FA 60-3, hot-dip galvanized	B	138,-	21,-	159,-
Drum Support FA 200-1, hot-dip galvanized	B	118,-	15,-	133,-
Can Shelf Type GR-A, galvanized	B	138,-	118,-	256,-
Can Shelf Type GR-B, galvanized	B	138,-	118,-	256,-
Can Shelf Type GR-C, galvanized	B	138,-	118,-	256,-
2018, hot-dip galvanized	B	365,-	173,-	538,-
Drum Support FA 60-1, hot-dip galvanized	B	109,-	15,-	124,-
Drum Support FA 60-2, hot-dip galvanized	B	118,-	18,-	136,-
Drum Support FA 60-3, hot-dip galvanized	B	138,-	21,-	159,-
Drum Support FA 200-1, hot-dip galvanized	B	118,-	15,-	133,-
Can Shelf Type GR-A, galvanized	B	138,-	118,-	256,-
Can Shelf Type GR-B, galvanized	B	138,-	118,-	256,-
Can Shelf Type GR-C, galvanized	B	138,-	118,-	256,-
2026, painted	B	262,-	173,-	435,-
2026, hot-dip galvanized	B	310,-	173,-	483,-

Prices in EUR, valid EXW DE-46354 Südlohn, DE-38820 Halberstadt, unpacked
Freight charges valid CPT Romania, islands and oversea territories excluded

Price List 0726 en-R0

Environment / Storage



Sump Trays Type SERIES 2000	Category	Price	Freight charges	Price including freight charges
2028, painted	B	366,-	173,-	539,-
Drum Support FA 60-1, hot-dip galvanized	B	109,-	15,-	124,-
Drum Support FA 60-2, hot-dip galvanized	B	118,-	18,-	136,-
Drum Support FA 60-3, hot-dip galvanized	B	138,-	21,-	159,-
Drum Support FA 200-1, hot-dip galvanized	B	118,-	15,-	133,-
Drum Support FA 200-2, hot-dip galvanized	B	138,-	22,-	160,-
Can Shelf Type GR-A, galvanized	B	138,-	118,-	256,-
Can Shelf Type GR-B, galvanized	B	138,-	118,-	256,-
Can Shelf Type GR-C, galvanized	B	138,-	118,-	256,-
2028, hot-dip galvanized	B	412,-	173,-	585,-
Drum Support FA 60-1, hot-dip galvanized	B	109,-	15,-	124,-
Drum Support FA 60-2, hot-dip galvanized	B	118,-	18,-	136,-
Drum Support FA 60-3, hot-dip galvanized	B	138,-	21,-	159,-
Drum Support FA 200-1, hot-dip galvanized	B	118,-	15,-	133,-
Drum Support FA 200-2, hot-dip galvanized	B	138,-	22,-	160,-
Can Shelf Type GR-A, galvanized	B	138,-	118,-	256,-
Can Shelf Type GR-B, galvanized	B	138,-	118,-	256,-
Can Shelf Type GR-C, galvanized	B	138,-	118,-	256,-
2030, painted	B	275,-	173,-	448,-
2030, hot-dip galvanized	B	321,-	173,-	494,-
2032, painted	B	378,-	173,-	551,-
Drum Support FA 60-1, hot-dip galvanized	B	109,-	15,-	124,-
Drum Support FA 60-2, hot-dip galvanized	B	118,-	18,-	136,-
Drum Support FA 60-3, hot-dip galvanized	B	138,-	21,-	159,-
Drum Support FA 200-1, hot-dip galvanized	B	118,-	15,-	133,-
Drum Support FA 200-2, hot-dip galvanized	B	138,-	22,-	160,-
Can Shelf Type GR-A, galvanized	B	138,-	118,-	256,-
Can Shelf Type GR-B, galvanized	B	138,-	118,-	256,-
Can Shelf Type GR-C, galvanized	B	138,-	118,-	256,-
2032, hot-dip galvanized	B	426,-	173,-	599,-
Drum Support FA 60-1, hot-dip galvanized	B	109,-	15,-	124,-
Drum Support FA 60-2, hot-dip galvanized	B	118,-	18,-	136,-
Drum Support FA 60-3, hot-dip galvanized	B	138,-	21,-	159,-
Drum Support FA 200-1, hot-dip galvanized	B	118,-	15,-	133,-
Drum Support FA 200-2, hot-dip galvanized	B	138,-	22,-	160,-
Can Shelf Type GR-A, galvanized	B	138,-	118,-	256,-
Can Shelf Type GR-B, galvanized	B	138,-	118,-	256,-
Can Shelf Type GR-C, galvanized	B	138,-	118,-	256,-
2040, painted	B	351,-	173,-	524,-
2040, hot-dip galvanized	B	426,-	173,-	599,-
2042, painted	B	455,-	291,-	746,-
Drum Support FA 60-1, hot-dip galvanized	B	109,-	15,-	124,-
Drum Support FA 60-2, hot-dip galvanized	B	118,-	18,-	136,-
Drum Support FA 60-3, hot-dip galvanized	B	138,-	21,-	159,-
Can Shelf Type GR-A, galvanized	B	138,-	118,-	256,-
Can Shelf Type GR-B, galvanized	B	138,-	118,-	256,-

Prices in EUR, valid EXW DE-46354 Südlohn, DE-38820 Halberstadt, unpacked
Freight charges valid CPT Romania, islands and oversea territories excluded

Price List 0726 en-R0

Environment / Storage



Sump Trays Type SERIES 2000	Category	Price	Freight charges	Price including freight charges
Can Shelf Type GR-C, galvanized	B	138,-	118,-	256,-
2042, hot-dip galvanized	B	529,-	291,-	820,-
Drum Support FA 60-1, hot-dip galvanized	B	109,-	15,-	124,-
Drum Support FA 60-2, hot-dip galvanized	B	118,-	18,-	136,-
Drum Support FA 60-3, hot-dip galvanized	B	138,-	21,-	159,-
Can Shelf Type GR-A, galvanized	B	138,-	118,-	256,-
Can Shelf Type GR-B, galvanized	B	138,-	118,-	256,-
Can Shelf Type GR-C, galvanized	B	138,-	118,-	256,-
2048, painted	B	271,-	173,-	444,-
2048, hot-dip galvanized	B	316,-	173,-	489,-
2050, painted	B	369,-	173,-	542,-
Drum Support FA 60-1, hot-dip galvanized	B	109,-	15,-	124,-
Drum Support FA 60-2, hot-dip galvanized	B	118,-	18,-	136,-
Drum Support FA 60-3, hot-dip galvanized	B	138,-	21,-	159,-
Can Shelf Type GR-A, galvanized	B	138,-	118,-	256,-
Can Shelf Type GR-B, galvanized	B	138,-	118,-	256,-
Can Shelf Type GR-C, galvanized	B	138,-	118,-	256,-
2050, hot-dip galvanized	B	414,-	173,-	587,-
Drum Support FA 60-1, hot-dip galvanized	B	109,-	15,-	124,-
Drum Support FA 60-2, hot-dip galvanized	B	118,-	18,-	136,-
Drum Support FA 60-3, hot-dip galvanized	B	138,-	21,-	159,-
Can Shelf Type GR-A, galvanized	B	138,-	118,-	256,-
Can Shelf Type GR-B, galvanized	B	138,-	118,-	256,-
Can Shelf Type GR-C, galvanized	B	138,-	118,-	256,-
Sump Trays Type SERIES 2000/SW	Category	Price	Freight charges	Price including freight charges
2002/SW, painted	B	427,-	173,-	600,-
2002/SW, hot-dip galvanized	B	464,-	173,-	637,-
2018/SW, painted	B	468,-	291,-	759,-
Drum Support FA 60-1, hot-dip galvanized	B	109,-	15,-	124,-
Drum Support FA 60-2, hot-dip galvanized	B	118,-	18,-	136,-
Drum Support FA 60-3, hot-dip galvanized	B	138,-	21,-	159,-
Drum Support FA 200-1, hot-dip galvanized	B	118,-	15,-	133,-
Can Shelf Type GR-A, galvanized	B	138,-	118,-	256,-
Can Shelf Type GR-B, galvanized	B	138,-	118,-	256,-
Can Shelf Type GR-C, galvanized	B	138,-	118,-	256,-
2018/SW, hot-dip galvanized	B	517,-	291,-	808,-
Drum Support FA 60-1, hot-dip galvanized	B	109,-	15,-	124,-
Drum Support FA 60-2, hot-dip galvanized	B	118,-	18,-	136,-
Drum Support FA 60-3, hot-dip galvanized	B	138,-	21,-	159,-
Drum Support FA 200-1, hot-dip galvanized	B	118,-	15,-	133,-
Can Shelf Type GR-A, galvanized	B	138,-	118,-	256,-
Can Shelf Type GR-B, galvanized	B	138,-	118,-	256,-
Can Shelf Type GR-C, galvanized	B	138,-	118,-	256,-
2032/SW, painted	B	552,-	291,-	843,-
Drum Support FA 60-1, hot-dip galvanized	B	109,-	15,-	124,-

Prices in EUR, valid EXW DE-46354 Südlohn, DE-38820 Halberstadt, unpacked
Freight charges valid CPT Romania, islands and oversea territories excluded

Price List 0726 en-R0

Environment / Storage



Sump Trays Type SERIES 2000/SW	Category	Price	Freight charges	Price including freight charges
Drum Support FA 60-2, hot-dip galvanized	B	118,-	18,-	136,-
Drum Support FA 60-3, hot-dip galvanized	B	138,-	21,-	159,-
Drum Support FA 200-1, hot-dip galvanized	B	118,-	15,-	133,-
Drum Support FA 200-2, hot-dip galvanized	B	138,-	22,-	160,-
Can Shelf Type GR-A, galvanized	B	138,-	118,-	256,-
Can Shelf Type GR-B, galvanized	B	138,-	118,-	256,-
Can Shelf Type GR-C, galvanized	B	138,-	118,-	256,-
2032/SW, hot-dip galvanized	B	600,-	291,-	891,-
Drum Support FA 60-1, hot-dip galvanized	B	109,-	15,-	124,-
Drum Support FA 60-2, hot-dip galvanized	B	118,-	18,-	136,-
Drum Support FA 60-3, hot-dip galvanized	B	138,-	21,-	159,-
Drum Support FA 200-1, hot-dip galvanized	B	118,-	15,-	133,-
Drum Support FA 200-2, hot-dip galvanized	B	138,-	22,-	160,-
Can Shelf Type GR-A, galvanized	B	138,-	118,-	256,-
Can Shelf Type GR-B, galvanized	B	138,-	118,-	256,-
Can Shelf Type GR-C, galvanized	B	138,-	118,-	256,-
2042/SW, painted	B	685,-	344,-	1029,-
Drum Support FA 60-1, hot-dip galvanized	B	109,-	15,-	124,-
Drum Support FA 60-2, hot-dip galvanized	B	118,-	18,-	136,-
Drum Support FA 60-3, hot-dip galvanized	B	138,-	21,-	159,-
Can Shelf Type GR-A, galvanized	B	138,-	118,-	256,-
Can Shelf Type GR-B, galvanized	B	138,-	118,-	256,-
Can Shelf Type GR-C, galvanized	B	138,-	118,-	256,-
2042/SW, hot-dip galvanized	B	760,-	344,-	1104,-
Drum Support FA 60-1, hot-dip galvanized	B	109,-	15,-	124,-
Drum Support FA 60-2, hot-dip galvanized	B	118,-	18,-	136,-
Drum Support FA 60-3, hot-dip galvanized	B	138,-	21,-	159,-
Can Shelf Type GR-A, galvanized	B	138,-	118,-	256,-
Can Shelf Type GR-B, galvanized	B	138,-	118,-	256,-
Can Shelf Type GR-C, galvanized	B	138,-	118,-	256,-
Mobile Sump Trays Type SERIES 2000	Category	Price	Freight charges	Price including freight charges
2004, painted	B	590,-	173,-	763,-
Fixture and Tension Belt for 1 x 200 Litre Drum	B	48,-	9,-	57,-
2004, hot-dip galvanized	B	657,-	173,-	830,-
Fixture and Tension Belt for 1 x 200 Litre Drum	B	48,-	9,-	57,-
2020, painted	B	656,-	173,-	829,-
Fixture and Tension Belt for 2 x 200 Litre Drums	B	48,-	9,-	57,-
2020, hot-dip galvanized	B	717,-	173,-	890,-
Fixture and Tension Belt for 2 x 200 Litre Drums	B	48,-	9,-	57,-
2050 SR, painted	B	709,-	173,-	882,-
Fixture and Tension Belt for 3 x 200 Litre Drums	B	48,-	9,-	57,-
2050 SR, hot-dip galvanized	B	766,-	291,-	1057,-
Fixture and Tension Belt for 3 x 200 Litre Drums	B	48,-	9,-	57,-

Prices in EUR, valid EXW DE-46354 Südlohn, DE-38820 Halberstadt, unpacked
Freight charges valid CPT Romania, islands and oversea territories excluded

Price List 0726 en-R0

Environment / Storage



Drum Shelves with Sump Trays Type SERIES 3000	Category	Price	Freight charges	Price including freight charges
3000, hot-dip galvanized	B	1091,-	291,-	1382,-
Retainer Bar	B	48,-	12,-	60,-
Rotating Support RA 200, hot-dip galvanized	B	97,-	10,-	107,-
Can Stand Type GS, hot-dip galvanized	B	65,-	18,-	83,-
Crash Guard	B	75,-	9,-	84,-
3001, hot-dip galvanized	B	919,-	291,-	1210,-
Retainer Bar	B	48,-	12,-	60,-
Rotating Support RA 200, hot-dip galvanized	B	97,-	10,-	107,-
Can Stand Type GS, hot-dip galvanized	B	65,-	18,-	83,-
Crash Guard	B	75,-	9,-	84,-
3002, hot-dip galvanized	B	1299,-	344,-	1643,-
Retainer Bar	B	48,-	12,-	60,-
Rotating Support RA 200, hot-dip galvanized	B	97,-	10,-	107,-
Can Stand Type GS, hot-dip galvanized	B	65,-	18,-	83,-
Crash Guard	B	75,-	9,-	84,-
3003, hot-dip galvanized	B	1101,-	344,-	1445,-
Retainer Bar	B	48,-	12,-	60,-
Rotating Support RA 200, hot-dip galvanized	B	97,-	10,-	107,-
Can Stand Type GS, hot-dip galvanized	B	65,-	18,-	83,-
Crash Guard	B	75,-	9,-	84,-
3004, hot-dip galvanized	B	1344,-	291,-	1635,-
Retainer Bar	B	48,-	12,-	60,-
Rotating Support RA 60, hot-dip galvanized	B	97,-	9,-	106,-
Can Stand Type GS, hot-dip galvanized	B	65,-	18,-	83,-
Crash Guard	B	75,-	9,-	84,-
3005, hot-dip galvanized	B	1216,-	291,-	1507,-
Retainer Bar	B	48,-	12,-	60,-
Rotating Support RA 60, hot-dip galvanized	B	97,-	9,-	106,-
Can Stand Type GS, hot-dip galvanized	B	65,-	18,-	83,-
Crash Guard	B	75,-	9,-	84,-
3006, hot-dip galvanized	B	1697,-	479,-	2176,-
Retainer Bar	B	48,-	12,-	60,-
Rotating Support RA 60, hot-dip galvanized	B	97,-	9,-	106,-
Can Stand Type GS, hot-dip galvanized	B	65,-	18,-	83,-
Crash Guard	B	75,-	9,-	84,-
3007, hot-dip galvanized	B	1449,-	344,-	1793,-
Retainer Bar	B	48,-	12,-	60,-
Rotating Support RA 60, hot-dip galvanized	B	97,-	9,-	106,-
Can Stand Type GS, hot-dip galvanized	B	65,-	18,-	83,-
Crash Guard	B	75,-	9,-	84,-
3010, hot-dip galvanized	B	1288,-	344,-	1632,-
Retainer Bar	B	48,-	12,-	60,-
Rotating Support RA 200, hot-dip galvanized	B	97,-	10,-	107,-
Can Stand Type GS, hot-dip galvanized	B	65,-	18,-	83,-
Crash Guard	B	75,-	9,-	84,-
3011, hot-dip galvanized	B	1071,-	344,-	1415,-

Prices in EUR, valid EXW DE-46354 Südlohn, DE-38820 Halberstadt, unpacked
Freight charges valid CPT Romania, islands and oversea territories excluded

Price List 0726 en-R0

Environment / Storage



Drum Shelves with Sump Trays Type SERIES 3000	Category	Price	Freight charges	Price including freight charges
Retainer Bar	B	48,-	12,-	60,-
Rotating Support RA 200, hot-dip galvanized	B	97,-	10,-	107,-
Can Stand Type GS, hot-dip galvanized	B	65,-	18,-	83,-
Crash Guard	B	75,-	9,-	84,-

Small Can Shelves with Sumps Type SERIES 3000	Category	Price	Freight charges	Price including freight charges
3017-4E, galvanized	B	478,-	173,-	651,-
3018-4E, galvanized	B	397,-	173,-	570,-
3019-4E, galvanized	B	576,-	291,-	867,-
3020-4E, galvanized	B	493,-	291,-	784,-
3021-4E, galvanized	B	719,-	291,-	1010,-
3022-4E, galvanized	B	626,-	173,-	799,-
3023-4E, galvanized	B	1162,-	344,-	1506,-
3024-4E, galvanized	B	968,-	344,-	1312,-

Shelves Type AG	Category	Price	Freight charges	Price including freight charges
AG 60-1, hot-dip galvanized	B	112,-	12,-	124,-
AG 60-2, hot-dip galvanized	B	117,-	14,-	131,-
AG 60-3, hot-dip galvanized	B	126,-	15,-	141,-

Sump Tray Type AM	Category	Price	Freight charges	Price including freight charges
AM-1, painted	B	335,-	173,-	508,-
AM-1, hot-dip galvanized	B	379,-	173,-	552,-
AM-2, painted	B	370,-	173,-	543,-
Drum Support FA 60-1, hot-dip galvanized	B	109,-	15,-	124,-
Drum Support FA 60-2, hot-dip galvanized	B	118,-	18,-	136,-
Drum Support FA 60-3, hot-dip galvanized	B	138,-	21,-	159,-
Drum Support FA 200-1, hot-dip galvanized	B	118,-	15,-	133,-
Can Shelf Type GR-A, galvanized	B	138,-	118,-	256,-
Can Shelf Type GR-B, galvanized	B	138,-	118,-	256,-
Can Shelf Type GR-C, galvanized	B	138,-	118,-	256,-
AM-2, hot-dip galvanized	B	427,-	173,-	600,-
Drum Support FA 60-1, hot-dip galvanized	B	109,-	15,-	124,-
Drum Support FA 60-2, hot-dip galvanized	B	118,-	18,-	136,-
Drum Support FA 60-3, hot-dip galvanized	B	138,-	21,-	159,-
Drum Support FA 200-1, hot-dip galvanized	B	118,-	15,-	133,-
Can Shelf Type GR-A, galvanized	B	138,-	118,-	256,-
Can Shelf Type GR-B, galvanized	B	138,-	118,-	256,-
Can Shelf Type GR-C, galvanized	B	138,-	118,-	256,-
AM-4/A, painted	B	443,-	173,-	616,-
Drum Support FA 60-1, hot-dip galvanized	B	109,-	15,-	124,-
Drum Support FA 60-2, hot-dip galvanized	B	118,-	18,-	136,-
Drum Support FA 60-3, hot-dip galvanized	B	138,-	21,-	159,-
Drum Support FA 200-1, hot-dip galvanized	B	118,-	15,-	133,-
Drum Support FA 200-2, hot-dip galvanized	B	138,-	22,-	160,-

Prices in EUR, valid EXW DE-46354 Südlohn, DE-38820 Halberstadt, unpacked
Freight charges valid CPT Romania, islands and oversea territories excluded

Price List 0726 en-R0

Environment / Storage



Sump Tray Type AM	Category	Price	Freight charges	Price including freight charges
Can Shelf Type GR-A, galvanized	B	138,-	118,-	256,-
Can Shelf Type GR-B, galvanized	B	138,-	118,-	256,-
Can Shelf Type GR-C, galvanized	B	138,-	118,-	256,-
AM-4/A, hot-dip galvanized	B	499,-	291,-	790,-
Drum Support FA 60-1, hot-dip galvanized	B	109,-	15,-	124,-
Drum Support FA 60-2, hot-dip galvanized	B	118,-	18,-	136,-
Drum Support FA 60-3, hot-dip galvanized	B	138,-	21,-	159,-
Drum Support FA 200-1, hot-dip galvanized	B	118,-	15,-	133,-
Drum Support FA 200-2, hot-dip galvanized	B	138,-	22,-	160,-
Can Shelf Type GR-A, galvanized	B	138,-	118,-	256,-
Can Shelf Type GR-B, galvanized	B	138,-	118,-	256,-
Can Shelf Type GR-C, galvanized	B	138,-	118,-	256,-
AM-4/B, painted	B	532,-	291,-	823,-
Drum Support FA 60-1, hot-dip galvanized	B	109,-	15,-	124,-
Drum Support FA 60-2, hot-dip galvanized	B	118,-	18,-	136,-
Drum Support FA 60-3, hot-dip galvanized	B	138,-	21,-	159,-
Can Shelf Type GR-A, galvanized	B	138,-	118,-	256,-
Can Shelf Type GR-B, galvanized	B	138,-	118,-	256,-
Can Shelf Type GR-C, galvanized	B	138,-	118,-	256,-
AM-4/B, hot-dip galvanized	B	624,-	291,-	915,-
Drum Support FA 60-1, hot-dip galvanized	B	109,-	15,-	124,-
Drum Support FA 60-2, hot-dip galvanized	B	118,-	18,-	136,-
Drum Support FA 60-3, hot-dip galvanized	B	138,-	21,-	159,-
Can Shelf Type GR-A, galvanized	B	138,-	118,-	256,-
Can Shelf Type GR-B, galvanized	B	138,-	118,-	256,-
Can Shelf Type GR-C, galvanized	B	138,-	118,-	256,-
Sump Tray Type AO	Category	Price	Freight charges	Price including freight charges
AO-1, painted	B	292,-	173,-	465,-
AO-1, hot-dip galvanized	B	337,-	173,-	510,-
AO-2, painted	B	310,-	173,-	483,-
AO-2, hot-dip galvanized	B	367,-	173,-	540,-
AO-4/A, painted	B	322,-	173,-	495,-
AO-4/A, hot-dip galvanized	B	378,-	173,-	551,-
AO-4/B, painted	B	412,-	173,-	585,-
AO-4/B, hot-dip galvanized	B	500,-	173,-	673,-
Sump Tray Type AW	Category	Price	Freight charges	Price including freight charges
AW 450, painted	B	641,-	291,-	932,-
AW 450, hot-dip galvanized	B	795,-	291,-	1086,-
AW 800, painted	B	667,-	291,-	958,-
AW 800, hot-dip galvanized	B	831,-	291,-	1122,-
AW 1000, painted	B	672,-	291,-	963,-
AW 1000, hot-dip galvanized	B	838,-	291,-	1129,-
AW 1000-2, painted	B	861,-	479,-	1340,-

Prices in EUR, valid EXW DE-46354 Südlohn, DE-38820 Halberstadt, unpacked
Freight charges valid CPT Romania, islands and oversea territories excluded

Price List 0726 en-R0

Environment / Storage



Sump Tray Type AW	Category	Price	Freight charges	Price including freight charges
AW 1000-2, hot-dip galvanized	B	966,-	479,-	1445,-
AW 1000-3, painted	B	1524,-	479,-	2003,-
AW 1000-3, hot-dip galvanized	B	1641,-	569,-	2210,-
AW 1000-10F, painted	B	1032,-	479,-	1511,-
AW 1000-10F, hot-dip galvanized	B	1195,-	479,-	1674,-

Sump Tray Type AW/SW	Category	Price	Freight charges	Price including freight charges
AW 450/SW, painted	B	844,-	291,-	1135,-
AW 450/SW, hot-dip galvanized	B	998,-	426,-	1424,-
AW 800/SW, painted	B	869,-	426,-	1295,-
AW 800/SW, hot-dip galvanized	B	1032,-	426,-	1458,-
AW 1000/SW, painted	B	874,-	426,-	1300,-
AW 1000/SW, hot-dip galvanized	B	1042,-	426,-	1468,-
AW 1000-2/SW, painted	B	1091,-	479,-	1570,-
AW 1000-2/SW, hot-dip galvanized	B	1196,-	569,-	1765,-
AW 1000-3/SW, painted	B	1787,-	on request	on request
AW 1000-3/SW, hot-dip galvanized	B	2121,-	on request	on request
AW 1000-10F/SW, painted	B	1387,-	569,-	1956,-
AW 1000-10F/SW, hot-dip galvanized	B	1548,-	569,-	2117,-

Mobile Sump Tray AW 60-1 SR	Category	Price	Freight charges	Price including freight charges
AW 60-1 SR, painted	B	325,-	173,-	498,-
Fixture and Tension belt for 2 x 60 Litre Drums	B	45,-	8,-	53,-
AW 60-1 SR, hot-dip galvanized	B	345,-	173,-	518,-
Fixture and Tension belt for 2 x 60 Litre Drums	B	45,-	8,-	53,-

Mobile Sump Tray AW 60-1 SRF	Category	Price	Freight charges	Price including freight charges
AW 60-1 SRF, painted	B	429,-	173,-	602,-
AW 60-1 SRF, hot-dip galvanized	B	451,-	173,-	624,-

Sump Tray Type AW 60	Category	Price	Freight charges	Price including freight charges
AW 60-1, painted	B	176,-	118,-	294,-
Grid GR 60-1, hot-dip galvanized	B	23,-	8,-	31,-
Drum Support FA 60-A, galvanized	B	25,-	8,-	33,-
Rotating Support RA 60-A, hot-dip galvanized	B	97,-	9,-	106,-
AG 60-1, hot-dip galvanized	B	112,-	12,-	124,-
Canister Stand AB, galvanized	B	19,-	8,-	27,-
Castor Set, polyamide, Load capacity 375 kg / castor set	B	86,-	15,-	101,-
AW 60-1, hot-dip galvanized	B	189,-	118,-	307,-
Grid GR 60-1, hot-dip galvanized	B	23,-	8,-	31,-
Drum Support FA 60-A, galvanized	B	25,-	8,-	33,-
Rotating Support RA 60-A, hot-dip galvanized	B	97,-	9,-	106,-
AG 60-1, hot-dip galvanized	B	112,-	12,-	124,-
Canister Stand AB, galvanized	B	19,-	8,-	27,-
Castor Set, polyamide, Load capacity 375 kg / castor set	B	86,-	15,-	101,-

Prices in EUR, valid EXW DE-46354 Südlohn, DE-38820 Halberstadt, unpacked
Freight charges valid CPT Romania, islands and oversea territories excluded

Price List 0726 en-R0

Environment / Storage



Sump Tray Type AW 60	Category	Price	Freight charges	Price including freight charges
AW 60-2, painted	B	177,-	173,-	350,-
Grid GR 60-2, hot-dip galvanized	B	27,-	12,-	39,-
Drum Support FA 60-A, galvanized	B	25,-	8,-	33,-
Rotating Support RA 60-A, hot-dip galvanized	B	97,-	9,-	106,-
AG 60-2, hot-dip galvanized	B	117,-	14,-	131,-
Canister Stand AB, galvanized	B	19,-	8,-	27,-
Castor Set, polyamide, Load capacity 375 kg / castor set	B	86,-	15,-	101,-
AW 60-2, hot-dip galvanized	B	195,-	173,-	368,-
Grid GR 60-2, hot-dip galvanized	B	27,-	12,-	39,-
Drum Support FA 60-A, galvanized	B	25,-	8,-	33,-
Rotating Support RA 60-A, hot-dip galvanized	B	97,-	9,-	106,-
AG 60-2, hot-dip galvanized	B	117,-	14,-	131,-
Canister Stand AB, galvanized	B	19,-	8,-	27,-
Castor Set, polyamide, Load capacity 375 kg / castor set	B	86,-	15,-	101,-
AW 60-3, painted	B	193,-	173,-	366,-
Grid GR 60-3, hot-dip galvanized	B	40,-	14,-	54,-
Drum Support FA 60-A, galvanized	B	25,-	8,-	33,-
Rotating Support RA 60-A, hot-dip galvanized	B	97,-	9,-	106,-
AG 60-3, hot-dip galvanized	B	126,-	15,-	141,-
Canister Stand AB, galvanized	B	19,-	8,-	27,-
Castor Set, polyamide, Load capacity 375 kg / castor set	B	86,-	15,-	101,-
AW 60-3, hot-dip galvanized	B	217,-	173,-	390,-
Grid GR 60-3, hot-dip galvanized	B	40,-	14,-	54,-
Drum Support FA 60-A, galvanized	B	25,-	8,-	33,-
Rotating Support RA 60-A, hot-dip galvanized	B	97,-	9,-	106,-
AG 60-3, hot-dip galvanized	B	126,-	15,-	141,-
Canister Stand AB, galvanized	B	19,-	8,-	27,-
Castor Set, polyamide, Load capacity 375 kg / castor set	B	86,-	15,-	101,-

Sump Tray Type AW 60/M	Category	Price	Freight charges	Price including freight charges
AW 60-1/M, painted	B	196,-	173,-	369,-
Drum Support FA 60-A, galvanized	B	25,-	8,-	33,-
Rotating Support RA 60-A, hot-dip galvanized	B	97,-	9,-	106,-
AG 60-1, hot-dip galvanized	B	112,-	12,-	124,-
Canister Stand AB, galvanized	B	19,-	8,-	27,-
Castor Set, polyamide, Load capacity 375 kg / castor set	B	86,-	15,-	101,-
AW 60-1/M, hot-dip galvanized	B	211,-	173,-	384,-
Drum Support FA 60-A, galvanized	B	25,-	8,-	33,-
Rotating Support RA 60-A, hot-dip galvanized	B	97,-	9,-	106,-
AG 60-1, hot-dip galvanized	B	112,-	12,-	124,-
Canister Stand AB, galvanized	B	19,-	8,-	27,-
Castor Set, polyamide, Load capacity 375 kg / castor set	B	86,-	15,-	101,-
AW 60-2/M, painted	B	203,-	173,-	376,-
Drum Support FA 60-A, galvanized	B	25,-	8,-	33,-
Drum Support FA 60-2, hot-dip galvanized	B	118,-	18,-	136,-
Rotating Support RA 60-A, hot-dip galvanized	B	97,-	9,-	106,-

Prices in EUR, valid EXW DE-46354 Südlohn, DE-38820 Halberstadt, unpacked
 Freight charges valid CPT Romania, islands and oversea territories excluded

Price List 0726 en-R0

Environment / Storage



Sump Tray Type AW 60/M	Category	Price	Freight charges	Price including freight charges
AG 60-2, hot-dip galvanized	B	117,-	14,-	131,-
Canister Stand AB, galvanized	B	19,-	8,-	27,-
Castor Set, polyamide, Load capacity 375 kg / castor set	B	86,-	15,-	101,-
AW 60-2/M, hot-dip galvanized	B	221,-	173,-	394,-
Drum Support FA 60-A, galvanized	B	25,-	8,-	33,-
Drum Support FA 60-2, hot-dip galvanized	B	118,-	18,-	136,-
Rotating Support RA 60-A, hot-dip galvanized	B	97,-	9,-	106,-
AG 60-2, hot-dip galvanized	B	117,-	14,-	131,-
Canister Stand AB, galvanized	B	19,-	8,-	27,-
Castor Set, polyamide, Load capacity 375 kg / castor set	B	86,-	15,-	101,-
AW 60-3/M, painted	B	232,-	173,-	405,-
Drum Support FA 60-A, galvanized	B	25,-	8,-	33,-
Drum Support FA 60-2, hot-dip galvanized	B	118,-	18,-	136,-
Drum Support FA 60-3, hot-dip galvanized	B	138,-	21,-	159,-
Rotating Support RA 60-A, hot-dip galvanized	B	97,-	9,-	106,-
AG 60-3, hot-dip galvanized	B	126,-	15,-	141,-
Canister Stand AB, galvanized	B	19,-	8,-	27,-
Castor Set, polyamide, Load capacity 375 kg / castor set	B	86,-	15,-	101,-
AW 60-3/M, hot-dip galvanized	B	254,-	173,-	427,-
Drum Support FA 60-A, galvanized	B	25,-	8,-	33,-
Drum Support FA 60-2, hot-dip galvanized	B	118,-	18,-	136,-
Drum Support FA 60-3, hot-dip galvanized	B	138,-	21,-	159,-
Rotating Support RA 60-A, hot-dip galvanized	B	97,-	9,-	106,-
AG 60-3, hot-dip galvanized	B	126,-	15,-	141,-
Canister Stand AB, galvanized	B	19,-	8,-	27,-
Castor Set, polyamide, Load capacity 375 kg / castor set	B	86,-	15,-	101,-

Sump Tray Type AW/PE	Category	Price	Freight charges	Price including freight charges
AW-1/PE, painted	B	658,-	173,-	831,-
AW-1/PE, hot-dip galvanized	B	688,-	173,-	861,-
AW-2/PE, painted	B	721,-	173,-	894,-
Drum Support FA 60-1, hot-dip galvanized	B	109,-	15,-	124,-
Drum Support FA 60-2, hot-dip galvanized	B	118,-	18,-	136,-
Drum Support FA 60-3, hot-dip galvanized	B	138,-	21,-	159,-
Drum Support FA 200-1, hot-dip galvanized	B	118,-	15,-	133,-
Can Shelf Type GR-A, galvanized	B	138,-	118,-	256,-
Can Shelf Type GR-B, galvanized	B	138,-	118,-	256,-
Can Shelf Type GR-C, galvanized	B	138,-	118,-	256,-
AW-2/PE, hot-dip galvanized	B	757,-	173,-	930,-
Drum Support FA 60-1, hot-dip galvanized	B	109,-	15,-	124,-
Drum Support FA 60-2, hot-dip galvanized	B	118,-	18,-	136,-
Drum Support FA 60-3, hot-dip galvanized	B	138,-	21,-	159,-
Drum Support FA 200-1, hot-dip galvanized	B	118,-	15,-	133,-
Can Shelf Type GR-A, galvanized	B	138,-	118,-	256,-
Can Shelf Type GR-B, galvanized	B	138,-	118,-	256,-
Can Shelf Type GR-C, galvanized	B	138,-	118,-	256,-

Prices in EUR, valid EXW DE-46354 Südlohn, DE-38820 Halberstadt, unpacked
Freight charges valid CPT Romania, islands and oversea territories excluded

Price List 0726 en-R0

Environment / Storage



Sump Tray Type AW/PE	Category	Price	Freight charges	Price including freight charges
AW-4/A/PE, painted	B	818,-	291,-	1109,-
Drum Support FA 60-1, hot-dip galvanized	B	109,-	15,-	124,-
Drum Support FA 60-2, hot-dip galvanized	B	118,-	18,-	136,-
Drum Support FA 60-3, hot-dip galvanized	B	138,-	21,-	159,-
Drum Support FA 200-1, hot-dip galvanized	B	118,-	15,-	133,-
Drum Support FA 200-2, hot-dip galvanized	B	138,-	22,-	160,-
Can Shelf Type GR-A, galvanized	B	138,-	118,-	256,-
Can Shelf Type GR-B, galvanized	B	138,-	118,-	256,-
Can Shelf Type GR-C, galvanized	B	138,-	118,-	256,-
AW-4/A/PE, hot-dip galvanized	B	859,-	291,-	1150,-
Drum Support FA 60-1, hot-dip galvanized	B	109,-	15,-	124,-
Drum Support FA 60-2, hot-dip galvanized	B	118,-	18,-	136,-
Drum Support FA 60-3, hot-dip galvanized	B	138,-	21,-	159,-
Drum Support FA 200-1, hot-dip galvanized	B	118,-	15,-	133,-
Drum Support FA 200-2, hot-dip galvanized	B	138,-	22,-	160,-
Can Shelf Type GR-A, galvanized	B	138,-	118,-	256,-
Can Shelf Type GR-B, galvanized	B	138,-	118,-	256,-
Can Shelf Type GR-C, galvanized	B	138,-	118,-	256,-
AW-4/B/PE, painted	B	1021,-	344,-	1365,-
Drum Support FA 60-1, hot-dip galvanized	B	109,-	15,-	124,-
Drum Support FA 60-2, hot-dip galvanized	B	118,-	18,-	136,-
Drum Support FA 60-3, hot-dip galvanized	B	138,-	21,-	159,-
Can Shelf Type GR-A, galvanized	B	138,-	118,-	256,-
Can Shelf Type GR-B, galvanized	B	138,-	118,-	256,-
Can Shelf Type GR-C, galvanized	B	138,-	118,-	256,-
AW-4/B/PE, hot-dip galvanized	B	1096,-	344,-	1440,-
Drum Support FA 60-1, hot-dip galvanized	B	109,-	15,-	124,-
Drum Support FA 60-2, hot-dip galvanized	B	118,-	18,-	136,-
Drum Support FA 60-3, hot-dip galvanized	B	138,-	21,-	159,-
Can Shelf Type GR-A, galvanized	B	138,-	118,-	256,-
Can Shelf Type GR-B, galvanized	B	138,-	118,-	256,-
Can Shelf Type GR-C, galvanized	B	138,-	118,-	256,-
AW 1000/PE, painted	B	1386,-	426,-	1812,-
AW 1000/PE, hot-dip galvanized	B	1575,-	426,-	2001,-
AW 1000-2/PE, painted	B	1700,-	479,-	2179,-
AW 1000-2/PE, hot-dip galvanized	B	1818,-	479,-	2297,-
Sump Trays AW 8-12	Category	Price	Freight charges	Price including freight charges
AW-8, painted	B	732,-	344,-	1076,-
AW-8, hot-dip galvanized	B	815,-	479,-	1294,-
AW-10, painted	B	904,-	479,-	1383,-
AW-10, hot-dip galvanized	B	1239,-	479,-	1718,-
AW-12, painted	B	1035,-	479,-	1514,-
AW-12, hot-dip galvanized	B	1431,-	479,-	1910,-

Prices in EUR, valid EXW DE-46354 Südlohn, DE-38820 Halberstadt, unpacked
Freight charges valid CPT Romania, islands and oversea territories excluded

Price List 0726 en-R0

Environment / Storage



Sump Tray Type AWA	Category	Price	Freight charges	Price including freight charges
AWA 1000, painted	B	864,-	291,-	1155,-
AWA 1000, hot-dip galvanized	B	1045,-	426,-	1471,-
AWA 1000-2, painted	B	1239,-	479,-	1718,-
AWA 1000-2, hot-dip galvanized	B	1374,-	479,-	1853,-
AWA 1000-3, painted	B	2254,-	569,-	2823,-
AWA 1000-3, hot-dip galvanized	B	2385,-	807,-	3192,-
AWA 21, painted	B	1048,-	479,-	1527,-
AWA 21, hot-dip galvanized	B	1182,-	479,-	1661,-
AWA 31, painted	B	1956,-	569,-	2525,-
AWA 31, hot-dip galvanized	B	2077,-	569,-	2646,-
AWA 32, painted	B	2127,-	569,-	2696,-
AWA 32, hot-dip galvanized	B	2250,-	569,-	2819,-

Sump Tray Type AWA/SW	Category	Price	Freight charges	Price including freight charges
AWA 1000/SW, painted	B	1064,-	426,-	1490,-
AWA 1000/SW, hot-dip galvanized	B	1246,-	426,-	1672,-
AWA 1000-2/SW, painted	B	1472,-	569,-	2041,-
AWA 1000-2/SW, hot-dip galvanized	B	1605,-	569,-	2174,-
AWA 1000-3/SW, painted	B	2518,-	on request	on request
AWA 1000-3/SW, hot-dip galvanized	B	2648,-	on request	on request
AWA 21/SW, painted	B	1278,-	569,-	1847,-
AWA 21/SW, hot-dip galvanized	B	1413,-	569,-	1982,-
AWA 31/SW, painted	B	2217,-	on request	on request
AWA 31/SW, hot-dip galvanized	B	2339,-	on request	on request
AWA 32/SW, painted	B	2388,-	on request	on request
AWA 32/SW, hot-dip galvanized	B	2512,-	on request	on request

Sump Tray Type AW-F	Category	Price	Freight charges	Price including freight charges
AW-F 1, painted	B	657,-	173,-	830,-
Fixture and Tension Belt for 1 x 200 Litre Drum	B	48,-	9,-	57,-
AW-F 1, hot-dip galvanized	B	780,-	173,-	953,-
Fixture and Tension Belt for 1 x 200 Litre Drum	B	48,-	9,-	57,-
AW-F 2, painted	B	688,-	173,-	861,-
Fixture and Tension Belt for 2 x 200 Litre Drums	B	48,-	9,-	57,-
AW-F 2, hot-dip galvanized	B	842,-	173,-	1015,-
Fixture and Tension Belt for 2 x 200 Litre Drums	B	48,-	9,-	57,-

Ground Protection Spill Tray Type BSW	Category	Price	Freight charges	Price including freight charges
BSW 21, galvanized	B	449,-	291,-	740,-
Access Ramp AR 21, galvanized	B	166,-	22,-	188,-
Access Corner Piece AE 24, galvanized	B	130,-	10,-	140,-
Cross-Shaped Connector KV 24, galvanized	B	20,-	8,-	28,-
Tray Connecting Strip WV 21, galvanized	B	22,-	8,-	30,-
BSW 22, galvanized	B	590,-	291,-	881,-
Access Ramp AR 21, galvanized	B	166,-	22,-	188,-

Prices in EUR, valid EXW DE-46354 Südlohn, DE-38820 Halberstadt, unpacked
 Freight charges valid CPT Romania, islands and oversea territories excluded

Price List 0726 en-R0

Environment / Storage



Ground Protection Spill Tray Type BSW	Category	Price	Freight charges	Price including freight charges
Access Ramp AR 22, galvanized	B	211,-	32,-	243,-
Access Corner Piece AE 24, galvanized	B	130,-	10,-	140,-
Cross-Shaped Connector KV 24, galvanized	B	20,-	8,-	28,-
Tray Connecting Strip WV 21, galvanized	B	22,-	8,-	30,-
Tray Connecting Strip WV 22, galvanized	B	24,-	8,-	32,-
BSW 23, galvanized	B	764,-	230,-	994,-
Access Ramp AR 23, galvanized	B	300,-	225,-	525,-
Access Ramp AR 21, galvanized	B	166,-	22,-	188,-
Access Corner Piece AE 24, galvanized	B	130,-	10,-	140,-
Cross-Shaped Connector KV 24, galvanized	B	20,-	8,-	28,-
Tray Connecting Strip WV 21, galvanized	B	22,-	8,-	30,-
Tray Connecting Strip WV 23, galvanized	B	37,-	9,-	46,-
BSW 24, galvanized	B	1341,-	293,-	1634,-
Access Ramp AR 23, galvanized	B	300,-	225,-	525,-
Access Ramp AR 22, galvanized	B	211,-	32,-	243,-
Access Corner Piece AE 24, galvanized	B	130,-	10,-	140,-
Cross-Shaped Connector KV 24, galvanized	B	20,-	8,-	28,-
Tray Connecting Strip WV 22, galvanized	B	24,-	8,-	32,-
Tray Connecting Strip WV 23, galvanized	B	37,-	9,-	46,-
BSW 121, galvanized	B	199,-	118,-	317,-
Access Ramp AR 121, galvanized	B	163,-	22,-	185,-
Cross-Shaped Connector KV 24, galvanized	B	20,-	8,-	28,-
Tray Connecting Strip WV 121, galvanized	B	21,-	9,-	30,-
BSW 122, galvanized	B	243,-	173,-	416,-
Access Ramp AR 121, galvanized	B	163,-	22,-	185,-
Access Ramp AR 122, galvanized	B	275,-	36,-	311,-
Access Corner Piece AE 124, galvanized	B	261,-	21,-	282,-
Cross-Shaped Connector KV 24, galvanized	B	20,-	8,-	28,-
Tray Connecting Strip WV 121, galvanized	B	21,-	9,-	30,-
Tray Connecting Strip WV 122, galvanized	B	26,-	9,-	35,-
BSW 123, galvanized	B	339,-	173,-	512,-
Access Ramp AR 122, galvanized	B	275,-	36,-	311,-
Access Corner Piece AE 124, galvanized	B	261,-	21,-	282,-
Cross-Shaped Connector KV 24, galvanized	B	20,-	8,-	28,-
Tray Connecting Strip WV 122, galvanized	B	26,-	9,-	35,-
BSW 124, galvanized	B	553,-	291,-	844,-
Access Ramp AR 122, galvanized	B	275,-	36,-	311,-
Access Ramp AR 123, galvanized	B	338,-	291,-	629,-
Access Corner Piece AE 124, galvanized	B	261,-	21,-	282,-
Cross-Shaped Connector KV 24, galvanized	B	20,-	8,-	28,-
Tray Connecting Strip WV 122, galvanized	B	26,-	9,-	35,-
Tray Connecting Strip WV 123, galvanized	B	36,-	9,-	45,-
BSW 125, galvanized	B	426,-	344,-	770,-
Access Ramp AR 121, galvanized	B	163,-	22,-	185,-
Access Ramp AR 124, galvanized	B	392,-	344,-	736,-
Access Corner Piece AE 124, galvanized	B	261,-	21,-	282,-

Prices in EUR, valid EXW DE-46354 Südlohn, DE-38820 Halberstadt, unpacked
Freight charges valid CPT Romania, islands and oversea territories excluded

Price List 0726 en-R0

Environment / Storage



Ground Protection Spill Tray Type BSW	Category	Price	Freight charges	Price including freight charges
Cross-Shaped Connector KV 24, galvanized	B	20,-	8,-	28,-
Tray Connecting Strip WV 121, galvanized	B	21,-	9,-	30,-
Tray Connecting Strip WV 124, galvanized	B	49,-	9,-	58,-
BSW 126, galvanized	B	668,-	479,-	1147,-
Access Ramp AR 122, galvanized	B	275,-	36,-	311,-
Access Ramp AR 124, galvanized	B	392,-	344,-	736,-
Access Corner Piece AE 124, galvanized	B	261,-	21,-	282,-
Cross-Shaped Connector KV 24, galvanized	B	20,-	8,-	28,-
Tray Connecting Strip WV 122, galvanized	B	26,-	9,-	35,-
Tray Connecting Strip WV 124, galvanized	B	49,-	9,-	58,-

Polyethylene Bunded Spill Flooring Type BWP-PE	Category	Price	Freight charges	Price including freight charges
BWP-PE 150, made of robust polyethylene	B	316,-	173,-	489,-
Ramp Type BWR, robust polyethylene, black	B	222,-	12,-	234,-
Joining Element BWV 2, stainless steel 1.4301	B	29,-	9,-	38,-
BWP-PE 300, made of robust polyethylene	B	641,-	173,-	814,-
Ramp Type BWR, robust polyethylene, black	B	222,-	12,-	234,-
Joining Element BWV 4, stainless steel 1.4301	B	38,-	10,-	48,-

Polyethylene Bunded Spill Flooring Type BWPS-PE	Category	Price	Freight charges	Price including freight charges
BWPS-PE 300, made of robust polyethylene	B	786,-	225,-	1011,-
Ramp Type BWR, robust polyethylene, black	B	222,-	12,-	234,-
Joining Element BWV 2, stainless steel 1.4301	B	29,-	9,-	38,-

Shelf Container Type CEH	Category	Price	Freight charges	Price including freight charges
CEH 29-2, painted	C	9142,-	on request	on request
CEH 29-2 IBC, painted	C	10076,-	on request	on request
CEH 36-2 IBC, painted	C	11727,-	on request	on request
CEH 38-2, painted	C	11719,-	on request	on request
CEH 59-2, painted	C	17352,-	on request	on request
CEH 59-2 IBC, painted	C	18629,-	on request	on request
CEH 75-2 IBC, painted	C	22081,-	on request	on request
CEH 81-2, painted	C	22524,-	on request	on request

Shelf Container Type CEN	Category	Price	Freight charges	Price including freight charges
CEN 29-2, painted	C	7714,-	on request	on request
Potential equalisation	C	184,-	0,-	184,-
CEN 29-2 IBC, painted	C	8421,-	on request	on request
Potential equalisation	C	184,-	0,-	184,-
CEN 29-2b, painted	C	13445,-	on request	on request
Potential equalisation	C	366,-	0,-	366,-
CEN 29-2b IBC, painted	C	14379,-	on request	on request
Potential equalisation	C	366,-	0,-	366,-
CEN 29-3, painted	C	12140,-	on request	on request
Potential equalisation	C	274,-	0,-	274,-

Prices in EUR, valid EXW DE-46354 Südlohn, DE-38820 Halberstadt, unpacked
 Freight charges valid CPT Romania, islands and oversea territories excluded

Price List 0726 en-R0

Environment / Storage



Shelf Container Type CEN	Category	Price	Freight charges	Price including freight charges
CEN 29-3 IBC, painted	C	12917,-	on request	on request
Potential equalisation	C	274,-	0,-	274,-
CEN 29-3b, painted	C	19757,-	on request	on request
Potential equalisation	C	546,-	0,-	546,-
CEN 29-3b IBC, painted	C	20862,-	on request	on request
Potential equalisation	C	546,-	0,-	546,-
CEN 33-2 IBC, painted	C	9393,-	on request	on request
Potential equalisation	C	184,-	0,-	184,-
CEN 33-2b IBC, painted	C	15740,-	on request	on request
Potential equalisation	C	366,-	0,-	366,-
CEN 33-3 IBC, painted	C	13849,-	on request	on request
Potential equalisation	C	274,-	0,-	274,-
CEN 33-3b IBC, painted	C	22018,-	on request	on request
Potential equalisation	C	546,-	0,-	546,-
CEN 36-2, painted	C	9470,-	on request	on request
Potential equalisation	C	184,-	0,-	184,-
CEN 36-2b, painted	C	16110,-	on request	on request
Potential equalisation	C	366,-	0,-	366,-
CEN 36-3, painted	C	14046,-	on request	on request
Potential equalisation	C	274,-	0,-	274,-
CEN 36-3b, painted	C	22693,-	on request	on request
Potential equalisation	C	546,-	0,-	546,-
CEN 59-2, painted	C	12772,-	on request	on request
Potential equalisation	C	365,-	0,-	365,-
CEN 59-2 IBC, painted	C	13917,-	on request	on request
Potential equalisation	C	365,-	0,-	365,-
CEN 59-2b, painted	C	21982,-	on request	on request
Potential equalisation	C	729,-	0,-	729,-
CEN 59-2b IBC, painted	C	22754,-	on request	on request
Potential equalisation	C	729,-	0,-	729,-
CEN 59-3, painted	C	19663,-	on request	on request
Potential equalisation	C	545,-	0,-	545,-
CEN 59-3 IBC, painted	C	20812,-	on request	on request
Potential equalisation	C	545,-	0,-	545,-
CEN 59-3b, painted	C	31741,-	on request	on request
Potential equalisation	C	1089,-	0,-	1089,-
CEN 59-3b IBC, painted	C	33404,-	on request	on request
Potential equalisation	C	1089,-	0,-	1089,-
CEN 65-2 IBC, painted	C	15002,-	on request	on request
Potential equalisation	C	365,-	0,-	365,-
CEN 65-2b IBC, painted	C	25299,-	on request	on request
Potential equalisation	C	729,-	0,-	729,-
CEN 65-3 IBC, painted	C	21999,-	on request	on request
Potential equalisation	C	545,-	0,-	545,-
CEN 65-3b IBC, painted	C	35919,-	on request	on request
Potential equalisation	C	1089,-	0,-	1089,-

Prices in EUR, valid EXW DE-46354 Südlohn, DE-38820 Halberstadt, unpacked
Freight charges valid CPT Romania, islands and oversea territories excluded

Price List 0726 en-R0

Environment / Storage



Shelf Container Type CEN	Category	Price	Freight charges	Price including freight charges
CEN 75-2, painted	C	16004,-	on request	on request
Potential equalisation	C	365,-	0,-	365,-
CEN 75-2b, painted	C	26485,-	on request	on request
Potential equalisation	C	729,-	0,-	729,-
CEN 75-3, painted	C	23086,-	on request	on request
Potential equalisation	C	545,-	0,-	545,-
CEN 75-3b, painted	C	37480,-	on request	on request
Potential equalisation	C	1089,-	0,-	1089,-
CEN 81-2, painted	C	16788,-	on request	on request
Potential equalisation	C	365,-	0,-	365,-
CEN 81-2b, painted	C	27692,-	on request	on request
Potential equalisation	C	729,-	0,-	729,-
CEN 81-3, painted	C	24174,-	on request	on request
Potential equalisation	C	545,-	0,-	545,-
CEN 81-3b, painted	C	39119,-	on request	on request
Potential equalisation	C	1089,-	0,-	1089,-

Sump Tray for Skips Type CW	Category	Price	Freight charges	Price including freight charges
CW 1, painted	B	2952,-	on request	on request
CW 2, painted	B	3226,-	on request	on request
CW 3, painted	B	3722,-	on request	on request

Sump Tray Type ECO	Category	Price	Freight charges	Price including freight charges
ECO 1/200, painted	B	246,-	173,-	419,-
ECO 1/200, hot-dip galvanized	B	256,-	173,-	429,-
ECO 2/200, painted	B	261,-	173,-	434,-
ECO 2/200, hot-dip galvanized	B	270,-	173,-	443,-
ECO 4/200, painted	B	285,-	173,-	458,-
ECO 4/200, hot-dip galvanized	B	297,-	173,-	470,-
ECO 4/400, painted	B	354,-	173,-	527,-
ECO 4/400, hot-dip galvanized	B	370,-	173,-	543,-
ECO 1/1000, painted	B	632,-	291,-	923,-
ECO 1/1000, hot-dip galvanized	B	759,-	291,-	1050,-
ECO 2/1000, painted	B	826,-	339,-	1165,-
ECO 2/1000, hot-dip galvanized	B	915,-	339,-	1254,-

Sump Tray Type ECO-A	Category	Price	Freight charges	Price including freight charges
ECO-A 1/1000, painted	B	831,-	291,-	1122,-
ECO-A 1/1000, hot-dip galvanized	B	971,-	291,-	1262,-
ECO-A 2/1000, painted	B	1221,-	479,-	1700,-
ECO-A 2/1000, hot-dip galvanized	B	1341,-	479,-	1820,-

Sump Tray Type ECO-S	Category	Price	Freight charges	Price including freight charges
ECO-S 2/200, hot-dip galvanized	B	3447,-	795,-	4242,-
ECO-S 4/200, hot-dip galvanized	B	4053,-	1185,-	5238,-

Prices in EUR, valid EXW DE-46354 Südlohn, DE-38820 Halberstadt, unpacked
 Freight charges valid CPT Romania, islands and oversea territories excluded

Price List 0726 en-R0

Environment / Storage



Sump Tray Type ECO-S	Category	Price	Freight charges	Price including freight charges
ECO-S 4/400, hot-dip galvanized	B	5000,-	1185,-	6185,-

Suspended Sump with Polyethylene Inlay Type EHW PE	Category	Price	Freight charges	Price including freight charges
EHW 1800 PE, painted	B	909,-	291,-	1200,-
EHW 1800 PE, hot-dip galvanized	B	922,-	291,-	1213,-
EHW 2200 PE, painted	B	987,-	291,-	1278,-
EHW 2200 PE, hot-dip galvanized	B	1028,-	291,-	1319,-
EHW 2700 PE, painted	B	1144,-	479,-	1623,-
EHW 2700 PE, hot-dip galvanized	B	1211,-	479,-	1690,-
EHW 3300 PE, painted	B	1653,-	479,-	2132,-
EHW 3300 PE, hot-dip galvanized	B	1727,-	479,-	2206,-

Suspended Sump Type EHW	Category	Price	Freight charges	Price including freight charges
EHW 1800, painted	B	509,-	291,-	800,-
EHW 1800, hot-dip galvanized	B	521,-	291,-	812,-
EHW 2200, painted	B	564,-	291,-	855,-
EHW 2200, hot-dip galvanized	B	605,-	291,-	896,-
EHW 2700, painted	B	648,-	239,-	887,-
EHW 2700, hot-dip galvanized	B	717,-	239,-	956,-
EHW 3300, painted	B	1002,-	479,-	1481,-
EHW 3300, hot-dip galvanized	B	1076,-	479,-	1555,-
EHW 3600, painted	B	1050,-	479,-	1529,-
EHW 3600, hot-dip galvanized	B	1131,-	479,-	1610,-

Drum Pallet Type FP	Category	Price	Freight charges	Price including freight charges
FP 2, hot-dip galvanized	B	92,-	173,-	265,-

Drum Shelve Type FR	Category	Price	Freight charges	Price including freight charges
FR-1, hot-dip galvanized	B	293,-	173,-	466,-
Can Stand Type GS, hot-dip galvanized	B	65,-	18,-	83,-
Clip-on Rotating Support, galvanized	B	85,-	10,-	95,-
FR-2, hot-dip galvanized	B	375,-	173,-	548,-
Can Stand Type GS, hot-dip galvanized	B	65,-	18,-	83,-
Clip-on Rotating Support, galvanized	B	85,-	10,-	95,-
FR-3, hot-dip galvanized	B	419,-	173,-	592,-
Can Stand Type GS, hot-dip galvanized	B	65,-	18,-	83,-
Rotating Support RA 60, hot-dip galvanized	B	97,-	9,-	106,-

Sump Tray Type FRA	Category	Price	Freight charges	Price including freight charges
FRA-1, painted	B	310,-	173,-	483,-
Grid, hot-dip galvanized	B	67,-	16,-	83,-
FRA-1, hot-dip galvanized	B	367,-	173,-	540,-
Grid, hot-dip galvanized	B	67,-	16,-	83,-
FRA-2, painted	B	322,-	173,-	495,-
Grid, hot-dip galvanized	B	132,-	24,-	156,-

Prices in EUR, valid EXW DE-46354 Südlohn, DE-38820 Halberstadt, unpacked
Freight charges valid CPT Romania, islands and oversea territories excluded

Price List 0726 en-R0

Environment / Storage



Sump Tray Type FRA	Category	Price	Freight charges	Price including freight charges
FRA-2, hot-dip galvanized	B	378,-	173,-	551,-
Grid, hot-dip galvanized	B	132,-	24,-	156,-
FRA-3, painted	B	322,-	173,-	495,-
Grid, hot-dip galvanized	B	132,-	24,-	156,-
FRA-3, hot-dip galvanized	B	378,-	173,-	551,-
Grid, hot-dip galvanized	B	132,-	24,-	156,-

Drum Shelf Type FRE/M	Category	Price	Freight charges	Price including freight charges
FRE-1/M, hot-dip galvanized	B	225,-	21,-	246,-
Clip-on Rotating Support, galvanized	B	85,-	10,-	95,-
Can Stand Type GS, hot-dip galvanized	B	65,-	18,-	83,-
FRE-2/M, hot-dip galvanized	B	261,-	22,-	283,-
Clip-on Rotating Support, galvanized	B	85,-	10,-	95,-
Can Stand Type GS, hot-dip galvanized	B	65,-	18,-	83,-
FRE-3/M, hot-dip galvanized	B	279,-	27,-	306,-
Rotating Support RA 60, hot-dip galvanized	B	97,-	9,-	106,-
Can Stand Type GS, hot-dip galvanized	B	65,-	18,-	83,-

Can Shelf Type FRE-G/M	Category	Price	Freight charges	Price including freight charges
FRE-G1/M, hot-dip galvanized	B	236,-	27,-	263,-
FRE-G2/M, hot-dip galvanized	B	274,-	32,-	306,-

Can Shelf for Small Cans Type FRG	Category	Price	Freight charges	Price including freight charges
FRG, hot-dip galvanized	B	381,-	173,-	554,-

Drum Stacking Pallet Type FSP-D	Category	Price	Freight charges	Price including freight charges
FSP-1 D, lackiert	B	845,-	291,-	1136,-
FSP-1 D, hot-dip galvanized	B	1106,-	291,-	1397,-
FSP-2 D, lackiert	B	901,-	291,-	1192,-
FSP-2 D, hot-dip galvanized	B	1222,-	291,-	1513,-
FSP-4 D, lackiert	B	1170,-	291,-	1461,-
FSP-4 D, hot-dip galvanized	B	1615,-	291,-	1906,-

Drum Stacking Pallet Type FSP-G	Category	Price	Freight charges	Price including freight charges
FSP-1 G, lackiert	B	821,-	291,-	1112,-
FSP-1 G, hot-dip galvanized	B	1089,-	291,-	1380,-
FSP-2 G, painted	B	879,-	291,-	1170,-
FSP-2 G, hot-dip galvanized	B	1197,-	291,-	1488,-
FSP-4 G, painted	B	1148,-	426,-	1574,-
FSP-4 G, hot-dip galvanized	B	1587,-	426,-	2013,-

Drum Stacking Pallet Type FSP	Category	Price	Freight charges	Price including freight charges
FSP-1, painted	B	484,-	173,-	657,-
FSP-1, hot-dip galvanized	B	727,-	291,-	1018,-
FSP-2, painted	B	655,-	291,-	946,-

Prices in EUR, valid EXW DE-46354 Südlohn, DE-38820 Halberstadt, unpacked
Freight charges valid CPT Romania, islands and oversea territories excluded

Price List 0726 en-R0

Environment / Storage



Drum Stacking Pallet Type FSP	Category	Price	Freight charges	Price including freight charges
FSP-2, hot-dip galvanized	B	913,-	291,-	1204,-
FSP-4, painted	B	746,-	291,-	1037,-
FSP-4, hot-dip galvanized	B	1151,-	291,-	1442,-

Hazardous Materials Depot Type GD-A	Category	Price	Freight charges	Price including freight charges
GD-A, painted	C	762,-	291,-	1053,-
Drum Support FA 60-1, hot-dip galvanized	B	109,-	15,-	124,-
Drum Support FA 60-2, hot-dip galvanized	B	118,-	18,-	136,-
Drum Support FA 60-3, hot-dip galvanized	B	138,-	21,-	159,-
Can Shelf Type GR-A, galvanized	B	138,-	118,-	256,-
Can Shelf Type GR-B, galvanized	B	138,-	118,-	256,-
Can Shelf Type GR-C, galvanized	B	138,-	118,-	256,-
GD-A, hot-dip galvanized	C	960,-	291,-	1251,-
Drum Support FA 60-1, hot-dip galvanized	B	109,-	15,-	124,-
Drum Support FA 60-2, hot-dip galvanized	B	118,-	18,-	136,-
Drum Support FA 60-3, hot-dip galvanized	B	138,-	21,-	159,-
Can Shelf Type GR-A, galvanized	B	138,-	118,-	256,-
Can Shelf Type GR-B, galvanized	B	138,-	118,-	256,-
Can Shelf Type GR-C, galvanized	B	138,-	118,-	256,-

Hazardous Materials Depot Type GD-B	Category	Price	Freight charges	Price including freight charges
GD-B, painted	C	1363,-	291,-	1654,-
Drum Support FA 60-1, hot-dip galvanized	B	109,-	15,-	124,-
Drum Support FA 60-2, hot-dip galvanized	B	118,-	18,-	136,-
Drum Support FA 60-3, hot-dip galvanized	B	138,-	21,-	159,-
Can Shelf Type GR-A, galvanized	B	138,-	118,-	256,-
Can Shelf Type GR-B, galvanized	B	138,-	118,-	256,-
Can Shelf Type GR-C, galvanized	B	138,-	118,-	256,-
GD-B, hot-dip galvanized	C	1625,-	291,-	1916,-
Drum Support FA 60-1, hot-dip galvanized	B	109,-	15,-	124,-
Drum Support FA 60-2, hot-dip galvanized	B	118,-	18,-	136,-
Drum Support FA 60-3, hot-dip galvanized	B	138,-	21,-	159,-
Can Shelf Type GR-A, galvanized	B	138,-	118,-	256,-
Can Shelf Type GR-B, galvanized	B	138,-	118,-	256,-
Can Shelf Type GR-C, galvanized	B	138,-	118,-	256,-

Hazardous Materials Depot Type GD-C	Category	Price	Freight charges	Price including freight charges
GD-C, painted	C	1163,-	291,-	1454,-
Drum Support FA 60-1, hot-dip galvanized	B	109,-	15,-	124,-
Drum Support FA 60-2, hot-dip galvanized	B	118,-	18,-	136,-
Drum Support FA 60-3, hot-dip galvanized	B	138,-	21,-	159,-
Can Shelf Type GR-A, galvanized	B	138,-	118,-	256,-
Can Shelf Type GR-B, galvanized	B	138,-	118,-	256,-
Can Shelf Type GR-C, galvanized	B	138,-	118,-	256,-
GD-C, hot-dip galvanized	C	1314,-	291,-	1605,-

Prices in EUR, valid EXW DE-46354 Südlohn, DE-38820 Halberstadt, unpacked
Freight charges valid CPT Romania, islands and oversea territories excluded

Price List 0726 en-R0

Environment / Storage



Hazardous Materials Depot Type GD-C	Category	Price	Freight charges	Price including freight charges
Drum Support FA 60-1, hot-dip galvanized	B	109,-	15,-	124,-
Drum Support FA 60-2, hot-dip galvanized	B	118,-	18,-	136,-
Drum Support FA 60-3, hot-dip galvanized	B	138,-	21,-	159,-
Can Shelf Type GR-A, galvanized	B	138,-	118,-	256,-
Can Shelf Type GR-B, galvanized	B	138,-	118,-	256,-
Can Shelf Type GR-C, galvanized	B	138,-	118,-	256,-

Hazardous Materials Depot Type GD-E	Category	Price	Freight charges	Price including freight charges
GD-E 2, galvanized	C	1562,-	426,-	1988,-
Drum Support FA 60-1, hot-dip galvanized	B	109,-	15,-	124,-
Drum Support FA 60-2, hot-dip galvanized	B	118,-	18,-	136,-
Drum Support FA 60-3, hot-dip galvanized	B	138,-	21,-	159,-
Can Shelf Type GR-A, galvanized	B	138,-	118,-	256,-
Can Shelf Type GR-B, galvanized	B	138,-	118,-	256,-
Can Shelf Type GR-C, galvanized	B	138,-	118,-	256,-
GD-E 4, galvanized	C	1907,-	515,-	2422,-
Drum Support FA 60-1, hot-dip galvanized	B	109,-	15,-	124,-
Drum Support FA 60-2, hot-dip galvanized	B	118,-	18,-	136,-
Drum Support FA 60-3, hot-dip galvanized	B	138,-	21,-	159,-
Can Shelf Type GR-A, galvanized	B	138,-	118,-	256,-
Can Shelf Type GR-B, galvanized	B	138,-	118,-	256,-
Can Shelf Type GR-C, galvanized	B	138,-	118,-	256,-

Hazardous Materials Depot Type GD-E/IBC	Category	Price	Freight charges	Price including freight charges
GD-E/IBC, galvanized	C	2367,-	1446,-	3813,-
GD-E/IBC-2, galvanized	C	3552,-	479,-	4031,-

Hazardous Materials Depot Type GD-N	Category	Price	Freight charges	Price including freight charges
GD-N 2, galvanized	C	1362,-	426,-	1788,-
Intermediate Storage Level, hot-dip galvanized	C	106,-	18,-	124,-
Drum Support FA 60-1, hot-dip galvanized	B	109,-	15,-	124,-
Can Shelf Type GR-A, galvanized	B	138,-	118,-	256,-
Can Shelf Type GR-B, galvanized	B	138,-	118,-	256,-
Can Shelf Type GR-C, galvanized	B	138,-	118,-	256,-
GD-N 4, galvanized	C	1697,-	426,-	2123,-
Intermediate Storage Level, hot-dip galvanized	C	106,-	18,-	124,-
Drum Support FA 60-1, hot-dip galvanized	B	109,-	15,-	124,-
Drum Support FA 60-2, hot-dip galvanized	B	118,-	18,-	136,-
Drum Support FA 200-1, hot-dip galvanized	B	118,-	15,-	133,-
Drum Support FA 200-2, hot-dip galvanized	B	138,-	22,-	160,-
Can Shelf Type GR-A, galvanized	B	138,-	118,-	256,-
Can Shelf Type GR-B, galvanized	B	138,-	118,-	256,-
Can Shelf Type GR-C, galvanized	B	138,-	118,-	256,-

Prices in EUR, valid EXW DE-46354 Südlohn, DE-38820 Halberstadt, unpacked
Freight charges valid CPT Romania, islands and oversea territories excluded

Price List 0726 en-R0

Environment / Storage



Hazardous Materials DepotType GD-N/R	Category	Price	Freight charges	Price including freight charges
GD-N/R 2, galvanized	C	1562,-	426,-	1988,-
Intermediate Storage Level, hot-dip galvanized	C	106,-	18,-	124,-
Drum Support FA 60-1, hot-dip galvanized	B	109,-	15,-	124,-
Can Shelf Type GR-A, galvanized	B	138,-	118,-	256,-
Can Shelf Type GR-B, galvanized	B	138,-	118,-	256,-
Can Shelf Type GR-C, galvanized	B	138,-	118,-	256,-
GD-N/R 4, galvanized	C	1901,-	426,-	2327,-
Intermediate Storage Level, hot-dip galvanized	C	106,-	18,-	124,-
Drum Support FA 60-1, hot-dip galvanized	B	109,-	15,-	124,-
Drum Support FA 60-2, hot-dip galvanized	B	118,-	18,-	136,-
Drum Support FA 200-1, hot-dip galvanized	B	118,-	15,-	133,-
Drum Support FA 200-2, hot-dip galvanized	B	138,-	22,-	160,-
Can Shelf Type GR-A, galvanized	B	138,-	118,-	256,-
Can Shelf Type GR-B, galvanized	B	138,-	118,-	256,-
Can Shelf Type GR-C, galvanized	B	138,-	118,-	256,-
Gas Cylinder Containers Type GFC-B	Category	Price	Freight charges	Price including freight charges
GFC-B M0, painted	B	3406,-	1446,-	4852,-
Fixture with Safety Chain to Secure Gas Cylinders, hot-dip galvanized	B	72,-	12,-	84,-
Rack for Gas Cylinders GFG-2, galvanized	B	204,-	173,-	377,-
GFC-B M1, painted	B	3949,-	1532,-	5481,-
Fixture with Safety Chain to Secure Gas Cylinders, hot-dip galvanized	B	72,-	12,-	84,-
Rack for Gas Cylinders GFG-2, galvanized	B	204,-	173,-	377,-
GFC-B M2, painted	B	4114,-	1532,-	5646,-
Fixture with Safety Chain to Secure Gas Cylinders, hot-dip galvanized	B	72,-	12,-	84,-
Rack for Gas Cylinders GFG-2, galvanized	B	204,-	173,-	377,-
GFC-B M3, painted	B	4761,-	1532,-	6293,-
Fixture with Safety Chain to Secure Gas Cylinders, hot-dip galvanized	B	72,-	12,-	84,-
Rack for Gas Cylinders GFG-2, galvanized	B	204,-	173,-	377,-
GFC-B M4, painted	B	5355,-	1602,-	6957,-
Fixture with Safety Chain to Secure Gas Cylinders, hot-dip galvanized	B	72,-	12,-	84,-
Rack for Gas Cylinders GFG-2, galvanized	B	204,-	173,-	377,-
GFC-B M5, painted	B	7439,-	1602,-	9041,-
Fixture with Safety Chain to Secure Gas Cylinders, hot-dip galvanized	B	72,-	12,-	84,-
Rack for Gas Cylinders GFG-2, galvanized	B	204,-	173,-	377,-
Gas Cylinder Containers Type GFC-B/W	Category	Price	Freight charges	Price including freight charges
GFC-B/W M1, painted	B	4216,-	1532,-	5748,-
Fixture with Safety Chain to Secure Gas Cylinders, hot-dip galvanized	B	72,-	12,-	84,-
GFC-B/W M2, painted	B	4421,-	1532,-	5953,-
Fixture with Safety Chain to Secure Gas Cylinders, hot-dip galvanized	B	72,-	12,-	84,-
GFC-B/W M3, painted	B	5076,-	1532,-	6608,-
Fixture with Safety Chain to Secure Gas Cylinders, hot-dip galvanized	B	72,-	12,-	84,-
Rack for Gas Cylinders GFG-2, galvanized	B	204,-	173,-	377,-
GFC-B/W M4, painted	B	5675,-	1602,-	7277,-

Prices in EUR, valid EXW DE-46354 Südlohn, DE-38820 Halberstadt, unpacked
Freight charges valid CPT Romania, islands and oversea territories excluded

Price List 0726 en-R0

Environment / Storage



Gas Cylinder Containers Type GFC-B/W	Category	Price	Freight charges	Price including freight charges
Fixture with Safety Chain to Secure Gas Cylinders, hot-dip galvanized	B	72,-	12,-	84,-
Rack for Gas Cylinders GFG-2, galvanized	B	204,-	173,-	377,-
GFC-B/W M5, painted	B	7844,-	1602,-	9446,-
Fixture with Safety Chain to Secure Gas Cylinders, hot-dip galvanized	B	72,-	12,-	84,-
Rack for Gas Cylinders GFG-2, galvanized	B	204,-	173,-	377,-

Gas Cylinder Containers Type GFC-E/G	Category	Price	Freight charges	Price including freight charges
GFC-E/G M0, hot-dip galvanized	B	1540,-	426,-	1966,-
Fixture with Safety Chain to Secure Gas Cylinders, hot-dip galvanized	B	40,-	12,-	52,-
Rack for Gas Cylinders GFG-2, galvanized	B	204,-	173,-	377,-
Access Ramp Type AR, galvanized	B	163,-	22,-	185,-
GFC-E/G M1, hot-dip galvanized	B	2191,-	1532,-	3723,-
Fixture with Safety Chain to Secure Gas Cylinders, hot-dip galvanized	B	40,-	12,-	52,-
Rack for Gas Cylinders GFG-2, galvanized	B	204,-	173,-	377,-
Access Ramp Type AR, galvanized	B	163,-	22,-	185,-
Central Dividing Wall, galvanized	B	87,-	22,-	109,-
GFC-E/G M2, hot-dip galvanized	B	2401,-	1532,-	3933,-
Fixture with Safety Chain to Secure Gas Cylinders, hot-dip galvanized	B	40,-	12,-	52,-
Rack for Gas Cylinders GFG-2, galvanized	B	204,-	173,-	377,-
Access Ramp Type AR, galvanized	B	163,-	22,-	185,-
Central Dividing Wall, galvanized	B	129,-	32,-	161,-
GFC-E/G M3, hot-dip galvanized	B	2671,-	1532,-	4203,-
Fixture with Safety Chain to Secure Gas Cylinders, hot-dip galvanized	B	40,-	12,-	52,-
Rack for Gas Cylinders GFG-2, galvanized	B	204,-	173,-	377,-
Access Ramp Type AR, galvanized	B	163,-	22,-	185,-
Central Dividing Wall, galvanized	B	129,-	32,-	161,-
GFC-E/G M4, hot-dip galvanized	B	2895,-	1602,-	4497,-
Fixture with Safety Chain to Secure Gas Cylinders, hot-dip galvanized	B	40,-	12,-	52,-
Rack for Gas Cylinders GFG-2, galvanized	B	204,-	173,-	377,-
Access Ramp Type AR, galvanized	B	163,-	22,-	185,-
Central Dividing Wall, galvanized	B	129,-	32,-	161,-
GFC-E/G M5, hot-dip galvanized	B	3587,-	1602,-	5189,-
Fixture with Safety Chain to Secure Gas Cylinders, hot-dip galvanized	B	40,-	12,-	52,-
Rack for Gas Cylinders GFG-2, galvanized	B	204,-	173,-	377,-
Access Ramp Type AR, galvanized	B	163,-	22,-	185,-
Central Dividing Wall, galvanized	B	191,-	40,-	231,-

Gas Cylinder Containers Type GFC-E/T	Category	Price	Freight charges	Price including freight charges
GFC-E/T M0, hot-dip galvanized	B	1560,-	426,-	1986,-
Fixture with Safety Chain to Secure Gas Cylinders, hot-dip galvanized	B	40,-	12,-	52,-
Rack for Gas Cylinders GFG-2, galvanized	B	204,-	173,-	377,-
Access Ramp Type AR, galvanized	B	163,-	22,-	185,-
GFC-E/T M1, hot-dip galvanized	B	2229,-	1532,-	3761,-
Fixture with Safety Chain to Secure Gas Cylinders, hot-dip galvanized	B	40,-	12,-	52,-
Rack for Gas Cylinders GFG-2, galvanized	B	204,-	173,-	377,-

Prices in EUR, valid EXW DE-46354 Südlohn, DE-38820 Halberstadt, unpacked
Freight charges valid CPT Romania, islands and oversea territories excluded

Price List 0726 en-R0

Environment / Storage



Gas Cylinder Containers Type GFC-E/T	Category	Price	Freight charges	Price including freight charges
Access Ramp Type AR, galvanized	B	163,-	22,-	185,-
Central Dividing Wall, galvanized	B	87,-	22,-	109,-
GFC-E/T M2, hot-dip galvanized	B	2448,-	1532,-	3980,-
Fixture with Safety Chain to Secure Gas Cylinders, hot-dip galvanized	B	40,-	12,-	52,-
Rack for Gas Cylinders GFG-2, galvanized	B	204,-	173,-	377,-
Access Ramp Type AR, galvanized	B	163,-	22,-	185,-
Central Dividing Wall, galvanized	B	129,-	32,-	161,-
GFC-E/T M3, hot-dip galvanized	B	2737,-	1532,-	4269,-
Fixture with Safety Chain to Secure Gas Cylinders, hot-dip galvanized	B	40,-	12,-	52,-
Rack for Gas Cylinders GFG-2, galvanized	B	204,-	173,-	377,-
Access Ramp Type AR, galvanized	B	163,-	22,-	185,-
Central Dividing Wall, galvanized	B	129,-	32,-	161,-
GFC-E/T M4, hot-dip galvanized	B	2960,-	1602,-	4562,-
Fixture with Safety Chain to Secure Gas Cylinders, hot-dip galvanized	B	40,-	12,-	52,-
Rack for Gas Cylinders GFG-2, galvanized	B	204,-	173,-	377,-
Access Ramp Type AR, galvanized	B	163,-	22,-	185,-
Central Dividing Wall, galvanized	B	129,-	32,-	161,-
GFC-E/T M5, hot-dip galvanized	B	3678,-	1602,-	5280,-
Fixture with Safety Chain to Secure Gas Cylinders, hot-dip galvanized	B	40,-	12,-	52,-
Rack for Gas Cylinders GFG-2, galvanized	B	204,-	173,-	377,-
Access Ramp Type AR, galvanized	B	163,-	22,-	185,-
Central Dividing Wall, galvanized	B	191,-	40,-	231,-

Gas Cylinder Containers Type GFC-M/D	Category	Price	Freight charges	Price including freight charges
GFC-M0/D, hot-dip galvanized	B	1028,-	291,-	1319,-
Grid Floor, hot-dip galvanized	B	152,-	72,-	224,-
Fixture with Safety Chain to Secure Gas Cylinders, hot-dip galvanized	B	40,-	12,-	52,-
Rack for Gas Cylinders GFG-2, galvanized	B	204,-	173,-	377,-
GFC-M1/D, hot-dip galvanized	B	1247,-	426,-	1673,-
Grid Floor, hot-dip galvanized	B	274,-	173,-	447,-
Fixture with Safety Chain to Secure Gas Cylinders, hot-dip galvanized	B	40,-	12,-	52,-
Rack for Gas Cylinders GFG-2, galvanized	B	204,-	173,-	377,-
GFC-M2/D, hot-dip galvanized	B	1327,-	426,-	1753,-
Grid Floor, hot-dip galvanized	B	375,-	173,-	548,-
Fixture with Safety Chain to Secure Gas Cylinders, hot-dip galvanized	B	40,-	12,-	52,-
Rack for Gas Cylinders GFG-2, galvanized	B	204,-	173,-	377,-
GFC-M3/D, hot-dip galvanized	B	1498,-	426,-	1924,-
Grid Floor, hot-dip galvanized	B	510,-	291,-	801,-
Fixture with Safety Chain to Secure Gas Cylinders, hot-dip galvanized	B	40,-	12,-	52,-
Rack for Gas Cylinders GFG-2, galvanized	B	204,-	173,-	377,-
GFC-M4/D, hot-dip galvanized	B	1601,-	426,-	2027,-
Grid Floor, hot-dip galvanized	B	627,-	291,-	918,-
Fixture with Safety Chain to Secure Gas Cylinders, hot-dip galvanized	B	40,-	12,-	52,-
Rack for Gas Cylinders GFG-2, galvanized	B	204,-	173,-	377,-
GFC-M5/D, hot-dip galvanized	B	1903,-	515,-	2418,-
Grid Floor, hot-dip galvanized	B	765,-	291,-	1056,-

Prices in EUR, valid EXW DE-46354 Südlohn, DE-38820 Halberstadt, unpacked
Freight charges valid CPT Romania, islands and oversea territories excluded

Price List 0726 en-R0

Environment / Storage



Gas Cylinder Containers Type GFC-M/D	Category	Price	Freight charges	Price including freight charges
Fixture with Safety Chain to Secure Gas Cylinders, hot-dip galvanized	B	40,-	12,-	52,-
Rack for Gas Cylinders GFG-2, galvanized	B	204,-	173,-	377,-

Gas Cylinder Containers Type GFC-M	Category	Price	Freight charges	Price including freight charges
GFC-M1, hot-dip galvanized	B	1101,-	291,-	1392,-
Grid Floor, hot-dip galvanized	B	274,-	173,-	447,-
Fixture with Safety Chain to Secure Gas Cylinders, hot-dip galvanized	B	40,-	12,-	52,-
Rack for Gas Cylinders GFG-2, galvanized	B	204,-	173,-	377,-
GFC-M2, hot-dip galvanized	B	1169,-	426,-	1595,-
Grid Floor, hot-dip galvanized	B	375,-	173,-	548,-
Fixture with Safety Chain to Secure Gas Cylinders, hot-dip galvanized	B	40,-	12,-	52,-
Rack for Gas Cylinders GFG-2, galvanized	B	204,-	173,-	377,-
GFC-M3, hot-dip galvanized	B	1312,-	426,-	1738,-
Grid Floor, hot-dip galvanized	B	510,-	291,-	801,-
Fixture with Safety Chain to Secure Gas Cylinders, hot-dip galvanized	B	40,-	12,-	52,-
Rack for Gas Cylinders GFG-2, galvanized	B	204,-	173,-	377,-
GFC-M4, hot-dip galvanized	B	1380,-	426,-	1806,-
Grid Floor, hot-dip galvanized	B	627,-	291,-	918,-
Fixture with Safety Chain to Secure Gas Cylinders, hot-dip galvanized	B	40,-	12,-	52,-
Rack for Gas Cylinders GFG-2, galvanized	B	204,-	173,-	377,-
GFC-M5, hot-dip galvanized	B	1602,-	426,-	2028,-
Grid Floor, hot-dip galvanized	B	765,-	291,-	1056,-
Fixture with Safety Chain to Secure Gas Cylinders, hot-dip galvanized	B	40,-	12,-	52,-
Rack for Gas Cylinders GFG-2, galvanized	B	204,-	173,-	377,-

Gas Cylinder Containers Type GFC-M/D-DF	Category	Price	Freight charges	Price including freight charges
GFC-M1/D-DF, hot-dip galvanized	B	1424,-	426,-	1850,-
Grid Floor, hot-dip galvanized	B	274,-	173,-	447,-
Fixture with Safety Chain to Secure Gas Cylinders, hot-dip galvanized	B	40,-	12,-	52,-
Rack for Gas Cylinders GFG-2, galvanized	B	204,-	173,-	377,-
GFC-M2/D-DF, hot-dip galvanized	B	1503,-	426,-	1929,-
Grid Floor, hot-dip galvanized	B	375,-	173,-	548,-
Fixture with Safety Chain to Secure Gas Cylinders, hot-dip galvanized	B	40,-	12,-	52,-
Rack for Gas Cylinders GFG-2, galvanized	B	204,-	173,-	377,-
GFC-M3/D-DF, hot-dip galvanized	B	1675,-	426,-	2101,-
Grid Floor, hot-dip galvanized	B	510,-	291,-	801,-
Fixture with Safety Chain to Secure Gas Cylinders, hot-dip galvanized	B	40,-	12,-	52,-
Rack for Gas Cylinders GFG-2, galvanized	B	204,-	173,-	377,-
GFC-M4/D-DF, hot-dip galvanized	B	1810,-	515,-	2325,-
Grid Floor, hot-dip galvanized	B	627,-	291,-	918,-
Fixture with Safety Chain to Secure Gas Cylinders, hot-dip galvanized	B	40,-	12,-	52,-
Rack for Gas Cylinders GFG-2, galvanized	B	204,-	173,-	377,-
GFC-M5/D-DF, hot-dip galvanized	B	2112,-	515,-	2627,-
Grid Floor, hot-dip galvanized	B	765,-	291,-	1056,-
Fixture with Safety Chain to Secure Gas Cylinders, hot-dip galvanized	B	40,-	12,-	52,-

Prices in EUR, valid EXW DE-46354 Südlohn, DE-38820 Halberstadt, unpacked
Freight charges valid CPT Romania, islands and oversea territories excluded

Price List 0726 en-R0

Environment / Storage



Gas Cylinder Containers Type GFC-M/D-DF	Category	Price	Freight charges	Price including freight charges
Rack for Gas Cylinders GFG-2, galvanized	B	204,-	173,-	377,-
GFC-M6/D-DF, hot-dip galvanized	B	2775,-	753,-	3528,-
Fixture with Safety Chain to Secure Gas Cylinders, hot-dip galvanized	B	40,-	12,-	52,-
Rack for Gas Cylinders GFG-2, galvanized	B	204,-	173,-	377,-
Gas Cylinder Containers Type GFC-M-DF	Category	Price	Freight charges	Price including freight charges
GFC-M1-DF, hot-dip galvanized	B	1276,-	291,-	1567,-
Grid Floor, hot-dip galvanized	B	274,-	173,-	447,-
Fixture with Safety Chain to Secure Gas Cylinders, hot-dip galvanized	B	40,-	12,-	52,-
Rack for Gas Cylinders GFG-2, galvanized	B	204,-	173,-	377,-
GFC-M2-DF, hot-dip galvanized	B	1346,-	426,-	1772,-
Grid Floor, hot-dip galvanized	B	375,-	173,-	548,-
Fixture with Safety Chain to Secure Gas Cylinders, hot-dip galvanized	B	40,-	12,-	52,-
Rack for Gas Cylinders GFG-2, galvanized	B	204,-	173,-	377,-
GFC-M3-DF, hot-dip galvanized	B	1490,-	426,-	1916,-
Grid Floor, hot-dip galvanized	B	510,-	291,-	801,-
Fixture with Safety Chain to Secure Gas Cylinders, hot-dip galvanized	B	40,-	12,-	52,-
Rack for Gas Cylinders GFG-2, galvanized	B	204,-	173,-	377,-
GFC-M4-DF, hot-dip galvanized	B	1591,-	426,-	2017,-
Grid Floor, hot-dip galvanized	B	627,-	291,-	918,-
Fixture with Safety Chain to Secure Gas Cylinders, hot-dip galvanized	B	40,-	12,-	52,-
Rack for Gas Cylinders GFG-2, galvanized	B	204,-	173,-	377,-
GFC-M5-DF, hot-dip galvanized	B	1812,-	515,-	2327,-
Grid Floor, hot-dip galvanized	B	765,-	291,-	1056,-
Fixture with Safety Chain to Secure Gas Cylinders, hot-dip galvanized	B	40,-	12,-	52,-
Rack for Gas Cylinders GFG-2, galvanized	B	204,-	173,-	377,-
Gas Cylinder Depot Type GFD-G	Category	Price	Freight charges	Price including freight charges
GFD-G 1, galvanized	B	429,-	291,-	720,-
GFD-G 2, galvanized	B	790,-	291,-	1081,-
Gas Cylinder Depot Type GFD-L	Category	Price	Freight charges	Price including freight charges
GFD-L 1, galvanized	B	462,-	173,-	635,-
GFD-L 2, galvanized	B	880,-	291,-	1171,-
Gas Cylinder Depot Type GFD-R	Category	Price	Freight charges	Price including freight charges
GFD-R 2, painted	B	774,-	173,-	947,-
GFD-R 2, hot-dip galvanized	B	798,-	173,-	971,-
GFD-R 4, painted	B	879,-	173,-	1052,-
GFD-R 4, hot-dip galvanized	B	909,-	173,-	1082,-
Hazardous Materials Cabinet Type GS	Category	Price	Freight charges	Price including freight charges
GS-1, painted	B	789,-	291,-	1080,-
Intermediate Storage Level, galvanized	B	90,-	14,-	104,-
GS-1, hot-dip galvanized	B	849,-	291,-	1140,-

Prices in EUR, valid EXW DE-46354 Südlohn, DE-38820 Halberstadt, unpacked
Freight charges valid CPT Romania, islands and oversea territories excluded

Price List 0726 en-R0

Environment / Storage



Hazardous Materials Cabinet Type GS	Category	Price	Freight charges	Price including freight charges
Intermediate Storage Level, galvanized	B	90,-	14,-	104,-
GS-2, painted	B	1049,-	426,-	1475,-
Intermediate Storage Level, galvanized	B	90,-	14,-	104,-
GS-2, hot-dip galvanized	B	1139,-	426,-	1565,-
Intermediate Storage Level, galvanized	B	90,-	14,-	104,-
GS-3, painted	B	2143,-	515,-	2658,-
GS-3, hot-dip galvanized	B	2295,-	515,-	2810,-
GS-4, painted	B	2154,-	1446,-	3600,-
GS-4, hot-dip galvanized	B	2340,-	1446,-	3786,-

Gas Cylinder Wall Bracket Type GWH	Category	Price	Freight charges	Price including freight charges
GWH 140-I, hot-dip galvanized	F	26,-	118,-	144,-
GWH 140-II, hot-dip galvanized	F	40,-	118,-	158,-
GWH 140-III, hot-dip galvanized	F	59,-	118,-	177,-
GWH 230-I, hot-dip galvanized	F	28,-	118,-	146,-
GWH 230-II, hot-dip galvanized	F	43,-	118,-	161,-
GWH 230-III, hot-dip galvanized	F	65,-	118,-	183,-
GWH 320-I, hot-dip galvanized	F	29,-	118,-	147,-
GWH 320-II, hot-dip galvanized	F	48,-	118,-	166,-
GWH 320-III, hot-dip galvanized	F	72,-	118,-	190,-

Tilting Canister Stand Type KAH	Category	Price	Freight charges	Price including freight charges
KAH-5, galvanized	A	96,-	118,-	214,-
KAH-25, galvanized	A	109,-	118,-	227,-
KAH-60, galvanized	A	140,-	118,-	258,-

Spill Tray for Canisters/Small Cans Type KGW	Category	Price	Freight charges	Price including freight charges
KGW 1, galvanized	B	92,-	118,-	210,-
KGW 1 V4A, stainless steel 1.4571	B	280,-	118,-	398,-
KGW 2, galvanized	B	96,-	118,-	214,-
KGW 2 V4A, stainless steel 1.4571	B	322,-	118,-	440,-
KGW 3, galvanized	B	100,-	118,-	218,-
KGW 3 V4A, stainless steel 1.4571	B	400,-	118,-	518,-
KGW 4, galvanized	B	117,-	173,-	290,-
KGW 4 V4A, stainless steel 1.4571	B	472,-	173,-	645,-
KGW 5, galvanized	B	161,-	173,-	334,-
KGW 5 V4A, stainless steel 1.4571	B	614,-	173,-	787,-

Spill Tray for Canisters/Small Cans Type KGW/M	Category	Price	Freight charges	Price including freight charges
KGW 1/M, galvanized	B	129,-	118,-	247,-
KGW 1/M V4A, stainless steel 1.4571	B	421,-	118,-	539,-
KGW 2/M, galvanized	B	137,-	118,-	255,-
KGW 2/M V4A, stainless steel 1.4571	B	485,-	118,-	603,-
KGW 3/M, galvanized	B	157,-	118,-	275,-
KGW 3/M V4A, stainless steel 1.4571	B	610,-	118,-	728,-

Prices in EUR, valid EXW DE-46354 Südlohn, DE-38820 Halberstadt, unpacked
Freight charges valid CPT Romania, islands and oversea territories excluded

Price List 0726 en-R0

Environment / Storage



Spill Tray for Canisters/Small Cans Type KGW/M	Category	Price	Freight charges	Price including freight charges
KGW 4/M, galvanized	B	182,-	173,-	355,-
KGW 4/M V4A, stainless steel 1.4571	B	730,-	173,-	903,-
KGW 5/M, galvanized	B	235,-	173,-	408,-
KGW 5/M V4A, stainless steel 1.4571	B	962,-	173,-	1135,-

Spill Tray for Canisters/Small Cans on Pallets Type KGW-P	Category	Price	Freight charges	Price including freight charges
KGW-P 1, galvanized	B	98,-	118,-	216,-
KGW-P 1 V4A, stainless steel 1.4571	B	276,-	118,-	394,-
KGW-P 2, galvanized	B	147,-	118,-	265,-
KGW-P 2 V4A, stainless steel 1.4571	B	396,-	118,-	514,-
KGW-P 3, galvanized	B	185,-	173,-	358,-
KGW-P 3 V4A, stainless steel 1.4571	B	607,-	118,-	725,-
KGW-P 4, galvanized	B	175,-	118,-	293,-
KGW-P 4 V4A, stainless steel 1.4571	B	466,-	118,-	584,-

Spill Tray for Canisters/Small Cans on Pallets Type KGW-P/M	Category	Price	Freight charges	Price including freight charges
KGW-P 1/M, galvanized	B	142,-	118,-	260,-
KGW-P 1/M V4A, stainless steel 1.4571	B	399,-	118,-	517,-
KGW-P 2/M, galvanized	B	218,-	118,-	336,-
KGW-P 2/M V4A, stainless steel 1.4571	B	579,-	118,-	697,-
KGW-P 3/M, galvanized	B	265,-	173,-	438,-
KGW-P 3/M V4A, stainless steel 1.4571	B	895,-	173,-	1068,-
KGW-P 4/M, galvanized	B	250,-	173,-	423,-
KGW-P 4/M V4A, stainless steel 1.4571	B	719,-	118,-	837,-

Diesel Filling Point Type KPS	Category	Price	Freight charges	Price including freight charges
KPS 1, painted	B	2966,-	on request	on request
KPS 2, painted	B	3854,-	on request	on request
KPS 3, painted	B	5432,-	on request	on request

Polyethylene Sump Tray for Pallets Type KWP-P	Category	Price	Freight charges	Price including freight charges
KWP-P 20, made of robust polyethylene	B	48,-	118,-	166,-
Deck with Punched Holes LR-PE 20, robust polyethylene, black	B	64,-	14,-	78,-
KWP-P 30, made of robust polyethylene	B	58,-	118,-	176,-
Deck with Punched Holes LR-PE 30, robust polyethylene, black	B	66,-	14,-	80,-
KWP-P 40, made of robust polyethylene	B	65,-	118,-	183,-
Deck with Punched Holes LR-PE 40, robust polyethylene, black	B	70,-	14,-	84,-
KWP-P 60, made of robust polyethylene	B	103,-	118,-	221,-
Deck with punched holes LR-PE 60, robust polyethylene, black	B	73,-	14,-	87,-
KWP-P 100, made of robust polyethylene	B	117,-	173,-	290,-
Deck with punched holes LR-PE 100, robust polyethylene, black	B	90,-	16,-	106,-

Mobile Sump Tray with Perforated Panel Type LPW	Category	Price	Freight charges	Price including freight charges
LPW 60-1, painted	B	627,-	173,-	800,-
Tool Deposit	B	32,-	16,-	48,-

Prices in EUR, valid EXW DE-46354 Südlohn, DE-38820 Halberstadt, unpacked
 Freight charges valid CPT Romania, islands and oversea territories excluded

Price List 0726 en-R0

Environment / Storage



Mobile Sump Tray with Perforated Panel Type LPW	Category	Price	Freight charges	Price including freight charges
Drip Tray	B	50,-	16,-	66,-
LPW 60-1, hot-dip galvanized	B	645,-	173,-	818,-
Tool Deposit	B	32,-	16,-	48,-
Drip Tray	B	50,-	16,-	66,-
LPW 60-2, painted	B	640,-	173,-	813,-
Tool Deposit	B	32,-	16,-	48,-
Drip Tray	B	50,-	16,-	66,-
LPW 60-2, hot-dip galvanized	B	661,-	173,-	834,-
Tool Deposit	B	32,-	16,-	48,-
Drip Tray	B	50,-	16,-	66,-
LPW 60-3, painted	B	646,-	173,-	819,-
Tool Deposit	B	32,-	16,-	48,-
Drip Tray	B	50,-	16,-	66,-
LPW 60-3, hot-dip galvanized	B	667,-	173,-	840,-
Tool Deposit	B	32,-	16,-	48,-
Drip Tray	B	50,-	16,-	66,-
LPW 200-1, painted	B	822,-	291,-	1113,-
Tool Deposit	B	32,-	16,-	48,-
Drip Tray	B	50,-	16,-	66,-
LPW 200-1, hot-dip galvanized	B	856,-	291,-	1147,-
Tool Deposit	B	32,-	16,-	48,-
Drip Tray	B	50,-	16,-	66,-
LPW 200-2, painted	B	863,-	291,-	1154,-
Tool Deposit	B	32,-	16,-	48,-
Drip Tray	B	50,-	16,-	66,-
LPW 200-2, hot-dip galvanized	B	899,-	291,-	1190,-
Tool Deposit	B	32,-	16,-	48,-
Drip Tray	B	50,-	16,-	66,-
LPW 200-3, painted	B	878,-	291,-	1169,-
Tool Deposit	B	32,-	16,-	48,-
Drip Tray	B	50,-	16,-	66,-
LPW 200-3, hot-dip galvanized	B	914,-	291,-	1205,-
Tool Deposit	B	32,-	16,-	48,-
Drip Tray	B	50,-	16,-	66,-
LPW 200-4, painted	B	1055,-	291,-	1346,-
LPW 200-4, hot-dip galvanized	B	1086,-	291,-	1377,-

Modular Sump Tray Type MAW	Category	Price	Freight charges	Price including freight charges
MAW, painted	B	336,-	173,-	509,-
MAW, hot-dip galvanized	B	366,-	173,-	539,-
Element No. 1: grid grate incl. supportS, painted	B	78,-	18,-	96,-
Element No. 2: galvanized handle + castors	B	138,-	19,-	157,-
Element No. 3: runners, painted	B	103,-	15,-	118,-
Element No. 3: runners, hot-dip galvanized	B	66,-	15,-	81,-
Element No. 6: surround, galvanized	B	601,-	173,-	774,-

Prices in EUR, valid EXW DE-46354 Südlohn, DE-38820 Halberstadt, unpacked
 Freight charges valid CPT Romania, islands and oversea territories excluded

Price List 0726 en-R0

Environment / Storage



Spline Sump Type PW	Category	Price	Freight charges	Price including freight charges
PW 200-2, painted	B	245,-	173,-	418,-
PW 200-2, hot-dip galvanized	B	235,-	173,-	408,-
PW 200-4, painted	B	271,-	173,-	444,-
PW 200-4, hot-dip galvanized	B	261,-	173,-	434,-
PW 400-4, painted	B	349,-	173,-	522,-
PW 400-4, hot-dip galvanized	B	332,-	173,-	505,-

Spline Sump Type PWE	Category	Price	Freight charges	Price including freight charges
PWE 200-2, painted	B	217,-	173,-	390,-
PWE 200-2, hot-dip galvanized	B	207,-	173,-	380,-
PWE 200-4, painted	B	236,-	173,-	409,-
PWE 200-4, hot-dip galvanized	B	228,-	173,-	401,-
PWE 400-4, painted	B	288,-	173,-	461,-
PWE 400-4, hot-dip galvanized	B	278,-	173,-	451,-

Hazardous Materials Cabinet with Roller Shutter Door Type RSG	Category	Price	Freight charges	Price including freight charges
RSG-1, painted	B	1906,-	291,-	2197,-
Set of 4 Feet, height adjustable	B	80,-	9,-	89,-
RSG-2, painted	B	1920,-	291,-	2211,-
Set of 4 Feet, height adjustable	B	80,-	9,-	89,-
RSG-3, painted	B	1971,-	291,-	2262,-
Set of 4 Feet, height adjustable	B	80,-	9,-	89,-
RSG-4, painted	B	2109,-	426,-	2535,-
Set of 4 Feet, height adjustable	B	80,-	9,-	89,-

Shelf Sump with Polyethylene Inlay Type RW PE	Category	Price	Freight charges	Price including freight charges
RW 1800 PE, painted	B	1044,-	291,-	1335,-
RW 1800 PE, hot-dip galvanized	B	1100,-	291,-	1391,-
RW 2200-1 PE, painted	B	1089,-	291,-	1380,-
RW 2200-1 PE, hot-dip galvanized	B	1147,-	291,-	1438,-
RW 2200-2 PE, painted	B	1276,-	291,-	1567,-
RW 2200-2 PE, hot-dip galvanized	B	1341,-	291,-	1632,-
RW 2700-1 PE, painted	B	1108,-	239,-	1347,-
RW 2700-1 PE, hot-dip galvanized	B	1192,-	239,-	1431,-
RW 2700-2 PE, painted	B	1266,-	239,-	1505,-
RW 2700-2 PE, hot-dip galvanized	B	1365,-	239,-	1604,-
RW 2700-3 PE, painted	B	1466,-	239,-	1705,-
RW 2700-3 PE, hot-dip galvanized	B	1592,-	239,-	1831,-
RW 3300-1 PE, painted	B	1417,-	239,-	1656,-
RW 3300-1 PE, hot-dip galvanized	B	1510,-	239,-	1749,-
RW 3300-2 PE, painted	B	1535,-	239,-	1774,-
RW 3300-2 PE, hot-dip galvanized	B	1637,-	239,-	1876,-
RW 3300-3 PE, painted	B	1738,-	479,-	2217,-
RW 3300-3 PE, hot-dip galvanized	B	1850,-	479,-	2329,-

Prices in EUR, valid EXW DE-46354 Südlohn, DE-38820 Halberstadt, unpacked
Freight charges valid CPT Romania, islands and oversea territories excluded

Price List 0726 en-R0

Environment / Storage



Shelf Sump Type RW	Category	Price	Freight charges	Price including freight charges
RW 1800, painted	B	507,-	173,-	680,-
RW 1800, hot-dip galvanized	B	561,-	173,-	734,-
RW 2200-1, painted	B	519,-	173,-	692,-
RW 2200-1, hot-dip galvanized	B	577,-	173,-	750,-
RW 2200-2, painted	B	532,-	291,-	823,-
RW 2200-2, hot-dip galvanized	B	597,-	291,-	888,-
RW 2700-1, painted	B	528,-	239,-	767,-
RW 2700-1, hot-dip galvanized	B	611,-	239,-	850,-
RW 2700-2, painted	B	607,-	239,-	846,-
RW 2700-2, hot-dip galvanized	B	706,-	239,-	945,-
RW 2700-3, painted	B	657,-	239,-	896,-
RW 2700-3, hot-dip galvanized	B	781,-	239,-	1020,-
RW 3300-1, painted	B	680,-	239,-	919,-
RW 3300-1, hot-dip galvanized	B	774,-	239,-	1013,-
RW 3300-2, painted	B	748,-	239,-	987,-
RW 3300-2, hot-dip galvanized	B	850,-	239,-	1089,-
RW 3300-3, painted	B	834,-	239,-	1073,-
RW 3300-3, hot-dip galvanized	B	945,-	239,-	1184,-

Shelf Sump with Polyethylene Inlay Type RW-GR PE	Category	Price	Freight charges	Price including freight charges
RW-GR 1800 PE, painted	B	1178,-	291,-	1469,-
RW-GR 1800 PE, hot-dip galvanized	B	1231,-	291,-	1522,-
RW-GR 2200-1 PE, painted	B	1255,-	291,-	1546,-
RW-GR 2200-1 PE, hot-dip galvanized	B	1313,-	291,-	1604,-
RW-GR 2200-2 PE, painted	B	1443,-	426,-	1869,-
RW-GR 2200-2 PE, hot-dip galvanized	B	1505,-	426,-	1931,-
RW-GR 2700-1 PE, painted	B	1313,-	479,-	1792,-
RW-GR 2700-1 PE, hot-dip galvanized	B	1395,-	479,-	1874,-
RW-GR 2700-2 PE, painted	B	1469,-	479,-	1948,-
RW-GR 2700-2 PE, hot-dip galvanized	B	1570,-	479,-	2049,-
RW-GR 2700-3 PE, painted	B	1671,-	479,-	2150,-
RW-GR 2700-3 PE, hot-dip galvanized	B	1776,-	479,-	2255,-
RW-GR 3300-1 PE, painted	B	1790,-	479,-	2269,-
RW-GR 3300-1 PE, hot-dip galvanized	B	1882,-	479,-	2361,-
RW-GR 3300-2 PE, painted	B	1906,-	479,-	2385,-
RW-GR 3300-2 PE, hot-dip galvanized	B	2018,-	479,-	2497,-
RW-GR 3300-3 PE, painted	B	2110,-	569,-	2679,-
RW-GR 3300-3 PE, hot-dip galvanized	B	2222,-	569,-	2791,-
RW-GR 3600-3 PE, painted	B	2428,-	579,-	3007,-
RW-GR 3600-3 PE, hot-dip galvanized	B	2580,-	579,-	3159,-

Shelf Sump Type RW-GR	Category	Price	Freight charges	Price including freight charges
RW-GR 1800, painted	B	641,-	291,-	932,-
RW-GR 1800, hot-dip galvanized	B	696,-	291,-	987,-
RW-GR 2200-1, painted	B	686,-	291,-	977,-

Prices in EUR, valid EXW DE-46354 Südlohn, DE-38820 Halberstadt, unpacked
Freight charges valid CPT Romania, islands and oversea territories excluded

Price List 0726 en-R0

Environment / Storage



Shelf Sump Type RW-GR	Category	Price	Freight charges	Price including freight charges
RW-GR 2200-1, hot-dip galvanized	B	745,-	291,-	1036,-
RW-GR 2200-2, painted	B	700,-	426,-	1126,-
RW-GR 2200-2, hot-dip galvanized	B	761,-	426,-	1187,-
RW-GR 2700-1, painted	B	732,-	344,-	1076,-
RW-GR 2700-1, hot-dip galvanized	B	815,-	479,-	1294,-
RW-GR 2700-2, painted	B	811,-	479,-	1290,-
RW-GR 2700-2, hot-dip galvanized	B	911,-	479,-	1390,-
RW-GR 2700-3, painted	B	861,-	479,-	1340,-
RW-GR 2700-3, hot-dip galvanized	B	966,-	479,-	1445,-
RW-GR 3300-1, painted	B	1052,-	479,-	1531,-
RW-GR 3300-1, hot-dip galvanized	B	1146,-	479,-	1625,-
RW-GR 3300-2, painted	B	1119,-	479,-	1598,-
RW-GR 3300-2, hot-dip galvanized	B	1230,-	479,-	1709,-
RW-GR 3300-3, painted	B	1206,-	479,-	1685,-
RW-GR 3300-3, hot-dip galvanized	B	1317,-	479,-	1796,-
RW-GR 3600-3, painted	B	1330,-	479,-	1809,-
RW-GR 3600-3, hot-dip galvanized	B	1483,-	479,-	1962,-

Safety Cabinet Type SIW	Category	Price	Freight charges	Price including freight charges
SIW 1005	B	596,-	173,-	769,-
SIW 2005	B	751,-	291,-	1042,-

Diesel Filling Point Type TAW	Category	Price	Freight charges	Price including freight charges
TAW 1, painted	B	2448,-	on request	on request
TAW 2, painted	B	3195,-	on request	on request
TAW 3, painted	B	4603,-	on request	on request

Environmental Shelf Type UR	Category	Price	Freight charges	Price including freight charges
UR-G 2200, painted	B	1827,-	482,-	2309,-
Grid Set, hot-dip galvanized	B	198,-	173,-	371,-
Crash Guard	B	75,-	9,-	84,-
UR-G 2700, painted	B	1968,-	482,-	2450,-
Grid Set, hot-dip galvanized	B	245,-	173,-	418,-
Crash Guard	B	75,-	9,-	84,-
UR-G 3300, painted	B	2749,-	569,-	3318,-
Grid Set, hot-dip galvanized	B	297,-	173,-	470,-
Crash Guard	B	75,-	9,-	84,-
UR-A 2200, painted	B	1395,-	482,-	1877,-
Grid Set, hot-dip galvanized	B	198,-	173,-	371,-
Crash Guard	B	75,-	9,-	84,-
UR-A 2700, painted	B	1535,-	482,-	2017,-
Grid Set, hot-dip galvanized	B	245,-	173,-	418,-
Crash Guard	B	75,-	9,-	84,-
UR-A 3300, painted	B	2317,-	569,-	2886,-
Grid Set, hot-dip galvanized	B	297,-	173,-	470,-

Prices in EUR, valid EXW DE-46354 Südlohn, DE-38820 Halberstadt, unpacked
 Freight charges valid CPT Romania, islands and oversea territories excluded

Price List 0726 en-R0

Environment / Storage



Environmental Shelve Type UR	Category	Price	Freight charges	Price including freight charges
Crash Guard	B	75,-	9,-	84,-

Stainless Steel Sump Tray Type VAW	Category	Price	Freight charges	Price including freight charges
VAW-1, stainless steel 1.4571	B	990,-	173,-	1163,-
Grid, stainless steel 1.4571	B	494,-	14,-	508,-
Grid, hot-dip galvanized	B	71,-	14,-	85,-
VAW-2, stainless steel 1.4571	B	1079,-	173,-	1252,-
Grid, stainless steel 1.4571	B	731,-	16,-	747,-
Grid, hot-dip galvanized	B	95,-	38,-	133,-
VAW-4/A, stainless steel 1.4571	B	1236,-	173,-	1409,-
Grid, stainless steel 1.4571	B	1061,-	22,-	1083,-
Grid, hot-dip galvanized	B	124,-	22,-	146,-
VAW-4/B, stainless steel 1.4571	B	1511,-	173,-	1684,-
Grid, stainless steel 1.4571	B	1461,-	27,-	1488,-
Grid, hot-dip galvanized	B	169,-	27,-	196,-
VAW 1000 (Stainless Steel Grid), stainless steel 1.4571	B	3909,-	319,-	4228,-
VAW 1000 (Hot-dip Galvanized Grid), stainless steel 1.4571	B	2868,-	319,-	3187,-
VAW 1000-2 (Stainless Steel Grid), stainless steel 1.4571	B	5472,-	517,-	5989,-
VAW 1000-2 (Hot-dip Galvanized Grid), stainless steel 1.4571	B	3561,-	517,-	4078,-

Heating Chamber Type WK	Category	Price	Freight charges	Price including freight charges
WK 29-2 E65, painted	C	30688,-	on request	on request
WK 29-2 E85, painted	C	30859,-	on request	on request
WK 57-2 E65, painted	C	43080,-	on request	on request
WK 57-2 E85, painted	C	45540,-	on request	on request

Sump Tray Type WM	Category	Price	Freight charges	Price including freight charges
WM-2/200, hot-dip galvanized	B	290,-	173,-	463,-
Drum Support FA 60-1, hot-dip galvanized	B	109,-	15,-	124,-
Drum Support FA 60-2, hot-dip galvanized	B	118,-	18,-	136,-
Drum Support FA 60-3, hot-dip galvanized	B	138,-	21,-	159,-
Drum Support FA 200-1, hot-dip galvanized	B	118,-	15,-	133,-
Can Shelf Type GR-A, galvanized	B	138,-	118,-	256,-
Can Shelf Type GR-B, galvanized	B	138,-	118,-	256,-
Can Shelf Type GR-C, galvanized	B	138,-	118,-	256,-
WM-4/200, hot-dip galvanized	B	330,-	173,-	503,-
Drum Support FA 60-1, hot-dip galvanized	B	109,-	15,-	124,-
Drum Support FA 60-2, hot-dip galvanized	B	118,-	18,-	136,-
Drum Support FA 60-3, hot-dip galvanized	B	138,-	21,-	159,-
Drum Support FA 200-1, hot-dip galvanized	B	118,-	15,-	133,-
Drum Support FA 200-2, hot-dip galvanized	B	138,-	22,-	160,-
Can Shelf Type GR-A, galvanized	B	138,-	118,-	256,-
Can Shelf Type GR-B, galvanized	B	138,-	118,-	256,-
Can Shelf Type GR-C, galvanized	B	138,-	118,-	256,-
WM-4/400, hot-dip galvanized	B	396,-	291,-	687,-

Prices in EUR, valid EXW DE-46354 Südlohn, DE-38820 Halberstadt, unpacked
Freight charges valid CPT Romania, islands and oversea territories excluded

Price List 0726 en-R0

Environment / Storage



Sump Tray Type WO	Category	Price	Freight charges	Price including freight charges
WO-2/200, hot-dip galvanized	B	221,-	173,-	394,-
WO-4/200, hot-dip galvanized	B	240,-	173,-	413,-
WO-4/400, hot-dip galvanized	B	309,-	173,-	482,-
Polyethylene Sump Pallet Type WP	Category	Price	Freight charges	Price including freight charges
WP 1/11, made of robust polyethylene	B	1089,-	173,-	1262,-
WP 2/11, made of robust polyethylene	B	1377,-	173,-	1550,-
Dispensing Tray VB 2, robust polyethylene, blue	B	158,-	118,-	276,-
Polyethylene Sump Pallet Type WPA-PE	Category	Price	Freight charges	Price including freight charges
WPA-PE 2/2, made of robust polyethylene	B	324,-	173,-	497,-
WPA-PE 4/2, made of robust polyethylene	B	512,-	173,-	685,-
Polyethylene Sump Pallet Type WP-PE	Category	Price	Freight charges	Price including freight charges
WP-PE 1/11, made of robust polyethylene	B	1179,-	173,-	1352,-
Dispensing Tray VB 1, robust polyethylene, blue	B	169,-	118,-	287,-
WP-PE 2/11, made of robust polyethylene	B	1560,-	344,-	1904,-
Dispensing Tray VB 2, robust polyethylene, blue	B	158,-	118,-	276,-
WP-PE 2/2, made of robust polyethylene	B	301,-	173,-	474,-
WP-PE 4/2, made of robust polyethylene	B	469,-	173,-	642,-
WP-PE 4/4, made of robust polyethylene	B	487,-	173,-	660,-
WP-PE 8/11, made of robust polyethylene	B	1560,-	344,-	1904,-
Mobile Polyethylene Sump Tray Type WPT	Category	Price	Freight charges	Price including freight charges
WPT 230, made of robust polyethylene	B	538,-	173,-	711,-

Prices in EUR, valid EXW DE-46354 Südlohn, DE-38820 Halberstadt, unpacked
Freight charges valid CPT Romania, islands and oversea territories excluded

Price List 0726 en-RO

Hazardous Materials Containers

Fluorescent Tube Box Type AL-D	Category	Price	Freight charges	Price including freight charges
AL-D 150, aluminium	C	518,-	173,-	691,-
AL-D 200, aluminium	C	571,-	173,-	744,-
Collecting Container Type ASB	Category	Price	Freight charges	Price including freight charges
ASB 250, hot-dip galvanized	C	2038,-	426,-	2464,-
ASB 450-I, hot-dip galvanized	C	2155,-	426,-	2581,-
Special Waste Container Type ASK	Category	Price	Freight charges	Price including freight charges
ASK 540-4, hot-dip galvanized	C	on request	on request	on request
Duo-Container Type DC	Category	Price	Freight charges	Price including freight charges
DC 450, hot-dip galvanized	C	2347,-	on request	on request
Stainless steel strainer	D	118,-	9,-	127,-
Wing nut spanner for M12, hot-dip galvanized	F	35,-	15,-	50,-
DC 1000, hot-dip galvanized	C	2493,-	on request	on request
Stainless steel strainer	D	118,-	9,-	127,-
Wing nut spanner for M12, hot-dip galvanized	F	35,-	15,-	50,-
Lithium-Ion Storage Container Type LIL	Category	Price	Freight charges	Price including freight charges
LIL 30, hot-dip galvanized	B	1937,-	173,-	2110,-
LIL 90, hot-dip galvanized	B	2816,-	291,-	3107,-
Castor Set, polyamide, Load capacity 1050 kg / castor set	A	156,-	15,-	171,-
LIL 220, hot-dip galvanized	B	4864,-	426,-	5290,-
Castor Set, polyamide, Load capacity 1050 kg / castor set	A	156,-	15,-	171,-
LIL 280, hot-dip galvanized	B	5884,-	426,-	6310,-
Castor Set, polyamide, Load capacity 1050 kg / castor set	A	156,-	15,-	171,-
LIL 340, hot-dip galvanized	B	6792,-	426,-	7218,-
Castor Set, polyamide, Load capacity 1050 kg / castor set	A	156,-	15,-	171,-
MobiCont Type M 800	Category	Price	Freight charges	Price including freight charges
M 800, painted	C	1389,-	426,-	1815,-
Level Indicator	C	220,-	9,-	229,-
Funnel for filling, PP	D	68,-	9,-	77,-
Filling/Extraction lid	C	68,-	9,-	77,-
Lid, galvanized, without a lock	C	195,-	15,-	210,-
Lid, galvanized, with square lock	C	242,-	18,-	260,-
Lid, galvanized, with cylinder lock	C	242,-	18,-	260,-
Castor Set, polyamide, Load capacity 1350 kg / castor set	A	192,-	15,-	207,-
Hand Pump K 10 C, connects to drum thread, suitable for fuels and heating fuel	C	95,-	14,-	109,-
Hose Kit (1.5 m) for Hand Pump Type K 10 C, suitable for diesel and fuel	C	68,-	14,-	82,-
Hose Kit (3 m) for Hand Pump Type K 10 C, suitable for diesel and fuel	C	96,-	15,-	111,-

Prices in EUR, valid EXW DE-46354 Südlohn, DE-38820 Halberstadt, unpacked
Freight charges valid CPT Romania, islands and oversea territories excluded

Price List 0726 en-R0

Hazardous Materials Containers



MobiCont Type M 800	Category	Price	Freight charges	Price including freight charges
Hose Kit (4 m) for Hand Pump Type K 10 C, suitable for diesel and fuel	C	109,-	15,-	124,-
Electric Pump TecPump 400 DC 12V	C	510,-	15,-	525,-
Electric Pump TecPump 400 DC 24V	C	510,-	15,-	525,-
Electric Pump TecPump 600 AC 230V	C	510,-	15,-	525,-
M 800, hot-dip galvanized	C	1483,-	426,-	1909,-
Level Indicator	C	220,-	9,-	229,-
Funnel for filling, PP	D	68,-	9,-	77,-
Filling/Extraction lid	C	68,-	9,-	77,-
Lid, galvanized, without a lock	C	195,-	15,-	210,-
Lid, galvanized, with square lock	C	242,-	18,-	260,-
Lid, galvanized, with cylinder lock	C	242,-	18,-	260,-
Castor Set, polyamide, Load capacity 1350 kg / castor set	A	192,-	15,-	207,-
Hand Pump K 10 C, connects to drum thread, suitable for fuels and heating fuel	C	95,-	14,-	109,-
Hose Kit (1.5 m) for Hand Pump Type K 10 C, suitable for diesel and fuel	C	68,-	14,-	82,-
Hose Kit (3 m) for Hand Pump Type K 10 C, suitable for diesel and fuel	C	96,-	15,-	111,-
Hose Kit (4 m) for Hand Pump Type K 10 C, suitable for diesel and fuel	C	109,-	15,-	124,-
Electric Pump TecPump 400 DC 12V	C	510,-	15,-	525,-
Electric Pump TecPump 400 DC 24V	C	510,-	15,-	525,-
Electric Pump TecPump 600 AC 230V	C	510,-	15,-	525,-
MobiCont Type MD	Category	Price	Freight charges	Price including freight charges
MD 800, painted	C	1934,-	426,-	2360,-
Level Indicator	C	220,-	9,-	229,-
Hand Pump K 10 C, connects to drum thread, suitable for fuels and heating fuel	C	95,-	14,-	109,-
Hose Kit (1.5 m) for Hand Pump Type K 10 C, suitable for diesel and fuel	C	68,-	14,-	82,-
Hose Kit (3 m) for Hand Pump Type K 10 C, suitable for diesel and fuel	C	96,-	15,-	111,-
Hose Kit (4 m) for Hand Pump Type K 10 C, suitable for diesel and fuel	C	109,-	15,-	124,-
Electric Pump TecPump 400 DC 12V	C	510,-	15,-	525,-
Electric Pump TecPump 400 DC 24V	C	510,-	15,-	525,-
Electric Pump TecPump 600 AC 230V	C	510,-	15,-	525,-
MD 800, hot-dip galvanized	C	2025,-	426,-	2451,-
Level Indicator	C	220,-	9,-	229,-
Hand Pump K 10 C, connects to drum thread, suitable for fuels and heating fuel	C	95,-	14,-	109,-
Hose Kit (1.5 m) for Hand Pump Type K 10 C, suitable for diesel and fuel	C	68,-	14,-	82,-
Hose Kit (3 m) for Hand Pump Type K 10 C, suitable for diesel and fuel	C	96,-	15,-	111,-
Hose Kit (4 m) for Hand Pump Type K 10 C, suitable for diesel and fuel	C	109,-	15,-	124,-
Electric Pump TecPump 400 DC 12V	C	510,-	15,-	525,-
Electric Pump TecPump 400 DC 24V	C	510,-	15,-	525,-
Electric Pump TecPump 600 AC 230V	C	510,-	15,-	525,-
MobiCont Type MO	Category	Price	Freight charges	Price including freight charges
MO 800, painted	C	on request	on request	on request
Level Indicator	C	220,-	9,-	229,-
MO 800, hot-dip galvanized	C	on request	on request	on request
Level Indicator	C	220,-	9,-	229,-

Prices in EUR, valid EXW DE-46354 Südlohn, DE-38820 Halberstadt, unpacked
Freight charges valid CPT Romania, islands and oversea territories excluded

Price List 0726 en-R0

Hazardous Materials Containers



Fuel Container Type MT	Category	Price	Freight charges	Price including freight charges
MT 450, hot-dip galvanized	C	2223,-	426,-	2649,-
Level Indicator	C	220,-	9,-	229,-
Hand Pump K 10 C, connects to drum thread, suitable for fuels and heating fuel	C	95,-	14,-	109,-
Digital Flow Counter FMT 3 with screwed joints	C	320,-	9,-	329,-
Electric Pump TecPump 400 DC 12V	C	510,-	12,-	522,-
Electric Pump TecPump 400 DC 24V	C	510,-	12,-	522,-
Electric Pump TecPump 600 AC 230V	C	510,-	12,-	522,-
Counter Z 400, Retrofit Kit for Electric Pumps TecPump 400 DC 12V, 400 DC 24V and 600 AC 230V	C	159,-	9,-	168,-
MT 600, hot-dip galvanized	C	2644,-	426,-	3070,-
Level Indicator	C	220,-	9,-	229,-
Hand Pump K 10 C, connects to drum thread, suitable for fuels and heating fuel	C	95,-	14,-	109,-
Digital Flow Counter FMT 3 with screwed joints	C	320,-	9,-	329,-
Electric Pump TecPump 400 DC 12V	C	510,-	12,-	522,-
Electric Pump TecPump 400 DC 24V	C	510,-	12,-	522,-
Electric Pump TecPump 600 AC 230V	C	510,-	12,-	522,-
Counter Z 400, Retrofit Kit for Electric Pumps TecPump 400 DC 12V, 400 DC 24V and 600 AC 230V	C	159,-	9,-	168,-
MT 1000, hot-dip galvanized	C	2858,-	515,-	3373,-
Level Indicator	C	220,-	9,-	229,-
Hand Pump K 10 C, connects to drum thread, suitable for fuels and heating fuel	C	95,-	14,-	109,-
Digital Flow Counter FMT 3 with screwed joints	C	320,-	9,-	329,-
Electric Pump TecPump 400 DC 12V	C	510,-	12,-	522,-
Electric Pump TecPump 400 DC 24V	C	510,-	12,-	522,-
Electric Pump TecPump 600 AC 230V	C	510,-	12,-	522,-
Counter Z 400, Retrofit Kit for Electric Pumps TecPump 400 DC 12V, 400 DC 24V and 600 AC 230V	C	159,-	9,-	168,-
MobiCont Type MW	Category	Price	Freight charges	Price including freight charges
MW 800, painted	C	1783,-	426,-	2209,-
Level Indicator	C	220,-	9,-	229,-
Filling coupling	C	53,-	8,-	61,-
Tank heating, 220 W	C	384,-	12,-	396,-
Tank fitting	B	67,-	9,-	76,-
Anti-siphon valve	D	71,-	8,-	79,-
Aeration/Vent valve	C	27,-	8,-	35,-
MW 800, hot-dip galvanized	C	1877,-	426,-	2303,-
Level Indicator	C	220,-	9,-	229,-
Filling coupling	C	53,-	8,-	61,-
Tank heating, 220 W	C	384,-	12,-	396,-
Tank fitting	B	67,-	9,-	76,-
Anti-siphon valve	D	71,-	8,-	79,-
Aeration/Vent valve	C	27,-	8,-	35,-
Special Waste Container Type SAF	Category	Price	Freight charges	Price including freight charges
SAF 450, hot-dip galvanized	C	1136,-	on request	on request
SAF 600, hot-dip galvanized	C	1136,-	on request	on request
SAF 1000, hot-dip galvanized	C	1136,-	on request	on request

Prices in EUR, valid EXW DE-46354 Südlohn, DE-38820 Halberstadt, unpacked
Freight charges valid CPT Romania, islands and oversea territories excluded

Price List 0726 en-RO

Hazardous Materials Containers



Large Salvage Packaging Type SAG	Category	Price	Freight charges	Price including freight charges
SAG 800, hot-dip galvanized	C	1141,-	426,-	1567,-
SAG 1500, hot-dip galvanized	C	2151,-	on request	on request
Polyethylene sacks, 25 pieces on roll	C	187,-	41,-	228,-
SAG 2100, hot-dip galvanized	C	2257,-	on request	on request
Polyethylene sacks, 25 pieces on roll	C	187,-	41,-	228,-
SAG 2700, hot-dip galvanized	C	2331,-	on request	on request
Polyethylene sacks, 25 pieces on roll	C	187,-	41,-	228,-

Special Waste Container Type SAP	Category	Price	Freight charges	Price including freight charges
SAP 450, hot-dip galvanized	C	953,-	on request	on request
Polyethylene sacks, 50 pieces on roll - 0,085 mm	C	139,-	62,-	201,-
Polyethylene sacks, 50 pieces on roll - 0,16 mm	C	246,-	173,-	419,-
SAP 600, hot-dip galvanized	C	953,-	on request	on request
Polyethylene sacks, 50 pieces on roll - 0,085 mm	C	139,-	62,-	201,-
Polyethylene sacks, 50 pieces on roll - 0,16 mm	C	246,-	173,-	419,-
SAP 800, hot-dip galvanized	C	953,-	on request	on request
Polyethylene sacks, 50 pieces on roll - 0,085 mm	C	139,-	62,-	201,-
Polyethylene sacks, 50 pieces on roll - 0,16 mm	C	246,-	173,-	419,-

Special Waste Container Type SAP-1	Category	Price	Freight charges	Price including freight charges
SAP 450-1, hot-dip galvanized	C	891,-	on request	on request
Polyethylene sacks, 50 pieces on roll - 0,085 mm	C	139,-	62,-	201,-
Polyethylene sacks, 50 pieces on roll - 0,16 mm	C	246,-	173,-	419,-
SAP 600-1, hot-dip galvanized	C	891,-	on request	on request
Polyethylene sacks, 50 pieces on roll - 0,085 mm	C	139,-	62,-	201,-
Polyethylene sacks, 50 pieces on roll - 0,16 mm	C	246,-	173,-	419,-
SAP 800-1, hot-dip galvanized	C	891,-	on request	on request
Polyethylene sacks, 50 pieces on roll - 0,085 mm	C	139,-	62,-	201,-
Polyethylene sacks, 50 pieces on roll - 0,16 mm	C	246,-	173,-	419,-
SAP 800-3, hot-dip galvanized	C	874,-	on request	on request
Polyethylene sacks, 50 pieces on roll - 0,085 mm	C	139,-	62,-	201,-
Polyethylene sacks, 50 pieces on roll - 0,16 mm	C	246,-	173,-	419,-

Used Battery Container Type SAP 600 K	Category	Price	Freight charges	Price including freight charges
SAP 600 K, hot-dip galvanized	C	1286,-	on request	on request

Used Battery Container Type SAP 601 K	Category	Price	Freight charges	Price including freight charges
SAP 601 K, hot-dip galvanized	C	1141,-	on request	on request

Special Waste Container Type SAS	Category	Price	Freight charges	Price including freight charges
SAS 800, hot-dip galvanized	C	963,-	on request	on request

Hazardous Materials Container Type SF	Category	Price	Freight charges	Price including freight charges
SF 240, hot-dip galvanized	C	on request	on request	on request

Prices in EUR, valid EXW DE-46354 Südlohn, DE-38820 Halberstadt, unpacked
 Freight charges valid CPT Romania, islands and oversea territories excluded

Price List 0726 en-R0

Hazardous Materials Containers



Fluorescent Tube Box Type SL	Category	Price	Freight charges	Price including freight charges
SL 150, painted	C	688,-	291,-	979,-
SL 150, hot-dip galvanized	C	822,-	291,-	1113,-
SL 200, painted	C	766,-	291,-	1057,-
SL 200, hot-dip galvanized	C	902,-	426,-	1328,-
Fluorescent Tube Box Type SL-D	Category	Price	Freight charges	Price including freight charges
SL-D 150, painted	C	757,-	291,-	1048,-
Removable Tray, galvanized	C	87,-	10,-	97,-
SL-D 150, hot-dip galvanized	C	880,-	291,-	1171,-
Removable Tray, galvanized	C	87,-	10,-	97,-
SL-D 200, painted	C	837,-	291,-	1128,-
Removable Tray, galvanized	C	87,-	10,-	97,-
SL-D 200, hot-dip galvanized	C	973,-	291,-	1264,-
Removable Tray, galvanized	C	87,-	10,-	97,-
Fluorescent Tube Box Type SL-N	Category	Price	Freight charges	Price including freight charges
SL-N 220, painted	C	861,-	291,-	1152,-
SL-N 220, hot-dip galvanized	C	1003,-	291,-	1294,-
Special Waste Container Type SP	Category	Price	Freight charges	Price including freight charges
SP 100, hot-dip galvanized	C	on request	on request	on request
SP 240, hot-dip galvanized	C	on request	on request	on request
Transport Box for Aerosol Cans Type STB	Category	Price	Freight charges	Price including freight charges
STB 1000, hot-dip galvanized	C	1158,-	on request	on request
Polyethylene sacks, 50 pieces on roll	C	192,-	62,-	254,-
Absorbent felt, 100 pieces	C	366,-	118,-	484,-

Prices in EUR, valid EXW DE-46354 Südlohn, DE-38820 Halberstadt, unpacked
Freight charges valid CPT Romania, islands and oversea territories excluded