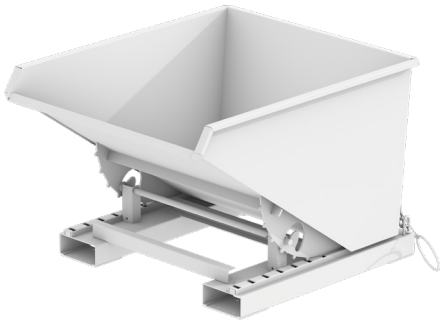


...made by



PRICE LIST 0726 EN-SI

FORKLIFT TRUCK ATTACHMENTS

WORKSPACE MATERIAL HANDLING

ENVIRONMENT / STORAGE

HAZARDOUS MATERIALS CONTAINERS

INNOVATION – CONSTRUCTION – PRODUCTION

... since 1966

Price List 0726 en-SI Forklift Truck Attachments

Drum Gripper Type 3P	Category	Price	Freight charges	Price including freight charges
3P, painted	B	942,-	123,-	1065,-
3P, hot-dip galvanized	B	990,-	123,-	1113,-

Tilting Container Type 3S	Category	Price	Freight charges	Price including freight charges
3S 300, painted	A	1244,-	180,-	1424,-
Lid, galvanized	A	174,-	18,-	192,-
Castor Set, polyamide, Load capacity 1050 kg / castor set	A	136,-	15,-	151,-
3S 300, hot-dip galvanized	A	1342,-	261,-	1603,-
Lid, galvanized	A	174,-	18,-	192,-
Castor Set, polyamide, Load capacity 1050 kg / castor set	A	136,-	15,-	151,-
3S 600, painted	A	1300,-	261,-	1561,-
Lid, galvanized	A	196,-	22,-	218,-
Castor Set, polyamide, Load capacity 1050 kg / castor set	A	136,-	15,-	151,-
3S 600, hot-dip galvanized	A	1402,-	261,-	1663,-
Lid, galvanized	A	196,-	22,-	218,-
Castor Set, polyamide, Load capacity 1050 kg / castor set	A	136,-	15,-	151,-

Automatic Tilting Container Type 4A	Category	Price	Freight charges	Price including freight charges
4A 600, painted	A	1103,-	180,-	1283,-
Lid, galvanized	A	196,-	22,-	218,-
Skip Body Welded Oil and Watertight	A	78,-	0,-	78,-
4A 600, hot-dip galvanized	A	1250,-	180,-	1430,-
Lid, galvanized	A	196,-	22,-	218,-
Skip Body Welded Oil and Watertight	A	78,-	0,-	78,-
4A 900, painted	A	1239,-	261,-	1500,-
Lid, galvanized	A	223,-	27,-	250,-
Skip Body Welded Oil and Watertight	A	78,-	0,-	78,-
4A 900, hot-dip galvanized	A	1424,-	261,-	1685,-
Lid, galvanized	A	223,-	27,-	250,-
Skip Body Welded Oil and Watertight	A	78,-	0,-	78,-
4A 1200, painted	A	1327,-	261,-	1588,-
Lid, galvanized	A	223,-	26,-	249,-
Skip Body Welded Oil and Watertight	A	121,-	0,-	121,-
4A 1200, hot-dip galvanized	A	1558,-	261,-	1819,-
Lid, galvanized	A	223,-	26,-	249,-
Skip Body Welded Oil and Watertight	A	121,-	0,-	121,-

Drum Gripper Type 4P	Category	Price	Freight charges	Price including freight charges
4P, painted	B	578,-	50,-	628,-
4P, hot-dip galvanized	B	551,-	50,-	601,-

Prices in EUR, valid EXW DE-46354 Südlohn, DE-38820 Halberstadt, unpacked
Freight charges valid CPT Slovenia, islands and oversea territories excluded

Price List 0726 en-SI

Forklift Truck Attachments



Drum Gripper Type 4P-D	Category	Price	Freight charges	Price including freight charges
4P-D120, painted	B	578,-	50,-	628,-
4P-D120, hot-dip galvanized	B	551,-	50,-	601,-
4P-D220, painted	B	578,-	50,-	628,-
4P-D220, hot-dip galvanized	B	551,-	50,-	601,-

Tilting Container Type AK	Category	Price	Freight charges	Price including freight charges
AK 50, painted	A	802,-	180,-	982,-
Lid, galvanized	A	140,-	16,-	156,-
Castor Set, polyamide, Load capacity 1050 kg / castor set	A	136,-	15,-	151,-
Skip Body Welded Oil and Watertight	A	78,-	0,-	78,-
AK 50, hot-dip galvanized	A	956,-	180,-	1136,-
Lid, galvanized	A	140,-	16,-	156,-
Castor Set, polyamide, Load capacity 1050 kg / castor set	A	136,-	15,-	151,-
Skip Body Welded Oil and Watertight	A	78,-	0,-	78,-
AK 75, painted	A	897,-	180,-	1077,-
Lid, galvanized	A	192,-	21,-	213,-
Castor Set, polyamide, Load capacity 1050 kg / castor set	A	136,-	15,-	151,-
Skip Body Welded Oil and Watertight	A	78,-	0,-	78,-
AK 75, hot-dip galvanized	A	1048,-	261,-	1309,-
Lid, galvanized	A	192,-	21,-	213,-
Castor Set, polyamide, Load capacity 1050 kg / castor set	A	136,-	15,-	151,-
Skip Body Welded Oil and Watertight	A	78,-	0,-	78,-
AK 100, painted	A	970,-	261,-	1231,-
Lid, galvanized	A	218,-	26,-	244,-
Castor Set, polyamide, Load capacity 1050 kg / castor set	A	136,-	15,-	151,-
Skip Body Welded Oil and Watertight	A	121,-	0,-	121,-
AK 100, hot-dip galvanized	A	1133,-	261,-	1394,-
Lid, galvanized	A	218,-	26,-	244,-
Castor Set, polyamide, Load capacity 1050 kg / castor set	A	136,-	15,-	151,-
Skip Body Welded Oil and Watertight	A	121,-	0,-	121,-
AK 150, painted	A	1238,-	261,-	1499,-
Lid, galvanized	A	305,-	28,-	333,-
Castor Set, polyamide, Load capacity 1050 kg / castor set	A	136,-	15,-	151,-
Skip Body Welded Oil and Watertight	A	121,-	0,-	121,-
AK 150, hot-dip galvanized	A	1448,-	261,-	1709,-
Lid, galvanized	A	305,-	28,-	333,-
Castor Set, polyamide, Load capacity 1050 kg / castor set	A	136,-	15,-	151,-
Skip Body Welded Oil and Watertight	A	121,-	0,-	121,-

Container for Building Materials Type BBG	Category	Price	Freight charges	Price including freight charges
BBG 100, painted	A	405,-	180,-	585,-
Lid, galvanized	A	189,-	123,-	312,-
BBG 100, hot-dip galvanized	A	496,-	180,-	676,-
Lid, galvanized	A	189,-	123,-	312,-

Prices in EUR, valid EXW DE-46354 Südlohn, DE-38820 Halberstadt, unpacked
 Freight charges valid CPT Slovenia, islands and oversea territories excluded

Price List 0726 en-SI

Forklift Truck Attachments



Container for Building Materials Type BBK	Category	Price	Freight charges	Price including freight charges
BBK 100, painted	A	496,-	180,-	676,-
Lid, galvanized	A	189,-	123,-	312,-
BBK 100, hot-dip galvanized	A	571,-	180,-	751,-
Lid, galvanized	A	189,-	123,-	312,-
Material Container Type BBM	Category	Price	Freight charges	Price including freight charges
BBM 500, painted	A	325,-	123,-	448,-
BBM 500, hot-dip galvanized	A	359,-	123,-	482,-
Container for Building Materials Type BBP	Category	Price	Freight charges	Price including freight charges
BBP 100, painted	A	433,-	123,-	556,-
Lid, galvanized	A	189,-	123,-	312,-
Pick-up cones (pins) and angle iron traverse lock	A	51,-	10,-	61,-
BBP 100, hot-dip galvanized	A	511,-	123,-	634,-
Lid, galvanized	A	189,-	123,-	312,-
Pick-up cones (pins) and angle iron traverse lock	A	51,-	10,-	61,-
Tilting Traverse for Containers for Building Material Containers Type BBT	Category	Price	Freight charges	Price including freight charges
BBT, painted	A	571,-	180,-	751,-
BBT, hot-dip galvanized	A	649,-	180,-	829,-
Building Materials Container Type BC	Category	Price	Freight charges	Price including freight charges
BC 500, painted	B	957,-	180,-	1137,-
Lid, galvanized	B	143,-	16,-	159,-
Castor Set, polyamide, Load capacity 1350 kg / castor set	A	192,-	15,-	207,-
BC 500, hot-dip galvanized	B	1179,-	261,-	1440,-
Lid, galvanized	B	143,-	16,-	159,-
Castor Set, polyamide, Load capacity 1350 kg / castor set	A	192,-	15,-	207,-
BC 500 (brick clamp operated), painted	B	1026,-	180,-	1206,-
Lid, galvanized	B	143,-	16,-	159,-
Castor Set, polyamide, Load capacity 1350 kg / castor set	A	192,-	15,-	207,-
BC 500 (brick clamp operated), hot-dip galvanized	B	1250,-	261,-	1511,-
Lid, galvanized	B	143,-	16,-	159,-
Castor Set, polyamide, Load capacity 1350 kg / castor set	A	192,-	15,-	207,-
BC 1000, painted	B	1043,-	261,-	1304,-
Lid, galvanized	B	143,-	16,-	159,-
Castor Set, polyamide, Load capacity 1350 kg / castor set	A	192,-	15,-	207,-
BC 1000, hot-dip galvanized	B	1316,-	261,-	1577,-
Lid, galvanized	B	143,-	16,-	159,-
Castor Set, polyamide, Load capacity 1350 kg / castor set	A	192,-	15,-	207,-
BC 1000 (brick clamp operated), painted	B	1111,-	261,-	1372,-
Lid, galvanized	B	143,-	16,-	159,-
Castor Set, polyamide, Load capacity 1350 kg / castor set	A	192,-	15,-	207,-
BC 1000 (brick clamp operated), hot-dip galvanized	B	1386,-	261,-	1647,-
Lid, galvanized	B	143,-	16,-	159,-

Prices in EUR, valid EXW DE-46354 Südlohn, DE-38820 Halberstadt, unpacked
Freight charges valid CPT Slovenia, islands and oversea territories excluded

Price List 0726 en-SI

Forklift Truck Attachments



Building Materials Container Type BC	Category	Price	Freight charges	Price including freight charges
Castor Set, polyamide, Load capacity 1350 kg / castor set	A	192,-	15,-	207,-
Tilting Container Type BK	Category	Price	Freight charges	Price including freight charges
BK 30, painted	A	700,-	180,-	880,-
Lid, galvanized	A	98,-	18,-	116,-
Castor Set, polyamide, Load capacity 1350 kg / castor set	A	192,-	15,-	207,-
Heavy-duty Castor Set, polyamide, Load capacity 2550 kg / castor set	A	379,-	15,-	394,-
Skip Body Welded Oil and Watertight	A	78,-	0,-	78,-
BK 30, hot-dip galvanized	A	984,-	180,-	1164,-
Lid, galvanized	A	98,-	18,-	116,-
Castor Set, polyamide, Load capacity 1350 kg / castor set	A	192,-	15,-	207,-
Heavy-duty Castor Set, polyamide, Load capacity 2550 kg / castor set	A	379,-	15,-	394,-
Skip Body Welded Oil and Watertight	A	78,-	0,-	78,-
BK 50, painted	A	984,-	180,-	1164,-
Lid, galvanized	A	98,-	20,-	118,-
Castor Set, polyamide, Load capacity 1350 kg / castor set	A	192,-	15,-	207,-
Heavy-duty Castor Set, polyamide, Load capacity 2550 kg / castor set	A	379,-	15,-	394,-
Skip Body Welded Oil and Watertight	A	78,-	0,-	78,-
BK 50, hot-dip galvanized	A	1327,-	261,-	1588,-
Lid, galvanized	A	98,-	20,-	118,-
Castor Set, polyamide, Load capacity 1350 kg / castor set	A	192,-	15,-	207,-
Heavy-duty Castor Set, polyamide, Load capacity 2550 kg / castor set	A	379,-	15,-	394,-
Skip Body Welded Oil and Watertight	A	78,-	0,-	78,-
BK 80, painted	A	1297,-	261,-	1558,-
Lid, galvanized	A	144,-	22,-	166,-
Castor Set, polyamide, Load capacity 1350 kg / castor set	A	192,-	15,-	207,-
Heavy-duty Castor Set, polyamide, Load capacity 2550 kg / castor set	A	379,-	15,-	394,-
Skip Body Welded Oil and Watertight	A	78,-	0,-	78,-
BK 80, hot-dip galvanized	A	1814,-	261,-	2075,-
Lid, galvanized	A	144,-	22,-	166,-
Castor Set, polyamide, Load capacity 1350 kg / castor set	A	192,-	15,-	207,-
Heavy-duty Castor Set, polyamide, Load capacity 2550 kg / castor set	A	379,-	15,-	394,-
Skip Body Welded Oil and Watertight	A	78,-	0,-	78,-
BK 100, painted	A	1508,-	261,-	1769,-
Lid, galvanized	A	173,-	27,-	200,-
Castor Set, polyamide, Load capacity 1350 kg / castor set	A	192,-	15,-	207,-
Heavy-duty Castor Set, polyamide, Load capacity 2550 kg / castor set	A	379,-	15,-	394,-
Skip Body Welded Oil and Watertight	A	121,-	0,-	121,-
BK 100, hot-dip galvanized	A	2070,-	261,-	2331,-
Lid, galvanized	A	173,-	27,-	200,-
Castor Set, polyamide, Load capacity 1350 kg / castor set	A	192,-	15,-	207,-
Heavy-duty Castor Set, polyamide, Load capacity 2550 kg / castor set	A	379,-	15,-	394,-
Skip Body Welded Oil and Watertight	A	121,-	0,-	121,-
BK 120, painted	A	1640,-	261,-	1901,-
Lid, galvanized	A	184,-	32,-	216,-
Castor Set, polyamide, Load capacity 1350 kg / castor set	A	192,-	15,-	207,-

Prices in EUR, valid EXW DE-46354 Südlohn, DE-38820 Halberstadt, unpacked
Freight charges valid CPT Slovenia, islands and oversea territories excluded

Price List 0726 en-SI

Forklift Truck Attachments



Tilting Container Type BK	Category	Price	Freight charges	Price including freight charges
Heavy-duty Castor Set, polyamide, Load capacity 2550 kg / castor set	A	379,-	15,-	394,-
Skip Body Welded Oil and Watertight	A	121,-	0,-	121,-
BK 120, hot-dip galvanized	A	2235,-	261,-	2496,-
Lid, galvanized	A	184,-	32,-	216,-
Castor Set, polyamide, Load capacity 1350 kg / castor set	A	192,-	15,-	207,-
Heavy-duty Castor Set, polyamide, Load capacity 2550 kg / castor set	A	379,-	15,-	394,-
Skip Body Welded Oil and Watertight	A	121,-	0,-	121,-
BK 150, painted	A	1801,-	333,-	2134,-
Lid, galvanized	A	211,-	39,-	250,-
Castor Set, polyamide, Load capacity 1350 kg / castor set	A	192,-	15,-	207,-
Heavy-duty Castor Set, polyamide, Load capacity 2550 kg / castor set	A	379,-	15,-	394,-
Skip Body Welded Oil and Watertight	A	121,-	0,-	121,-
BK 150, hot-dip galvanized	A	2444,-	333,-	2777,-
Lid, galvanized	A	211,-	39,-	250,-
Castor Set, polyamide, Load capacity 1350 kg / castor set	A	192,-	15,-	207,-
Heavy-duty Castor Set, polyamide, Load capacity 2550 kg / castor set	A	379,-	15,-	394,-
Skip Body Welded Oil and Watertight	A	121,-	0,-	121,-
BK 200, painted	A	2240,-	333,-	2573,-
Lid, galvanized	A	223,-	123,-	346,-
Castor Set, polyamide, Load capacity 1350 kg / castor set	A	192,-	15,-	207,-
Heavy-duty Castor Set, polyamide, Load capacity 2550 kg / castor set	A	379,-	15,-	394,-
Skip Body Welded Oil and Watertight	A	121,-	0,-	121,-
BK 200, hot-dip galvanized	A	3052,-	455,-	3507,-
Lid, galvanized	A	223,-	123,-	346,-
Castor Set, polyamide, Load capacity 1350 kg / castor set	A	192,-	15,-	207,-
Heavy-duty Castor Set, polyamide, Load capacity 2550 kg / castor set	A	379,-	15,-	394,-
Skip Body Welded Oil and Watertight	A	121,-	0,-	121,-
Container With Drop Away Base Type BKB	Category	Price	Freight charges	Price including freight charges
BKB 500, painted	A	763,-	180,-	943,-
Lid, galvanized	A	196,-	18,-	214,-
Castor Set, polyamide, Load capacity 1350 kg / castor set	A	192,-	15,-	207,-
BKB 500, hot-dip galvanized	A	907,-	180,-	1087,-
Lid, galvanized	A	196,-	18,-	214,-
Castor Set, polyamide, Load capacity 1350 kg / castor set	A	192,-	15,-	207,-
BKB 700, painted	A	816,-	180,-	996,-
Lid, galvanized	A	196,-	18,-	214,-
Castor Set, polyamide, Load capacity 1350 kg / castor set	A	192,-	15,-	207,-
BKB 700, hot-dip galvanized	A	960,-	180,-	1140,-
Lid, galvanized	A	196,-	18,-	214,-
Castor Set, polyamide, Load capacity 1350 kg / castor set	A	192,-	15,-	207,-
BKB 1000, painted	A	865,-	180,-	1045,-
Lid, galvanized	A	196,-	18,-	214,-
Castor Set, polyamide, Load capacity 1350 kg / castor set	A	192,-	15,-	207,-
BKB 1000, hot-dip galvanized	A	1029,-	180,-	1209,-
Lid, galvanized	A	196,-	18,-	214,-

Prices in EUR, valid EXW DE-46354 Südlohn, DE-38820 Halberstadt, unpacked
Freight charges valid CPT Slovenia, islands and oversea territories excluded

Price List 0726 en-SI

Forklift Truck Attachments



Container With Drop Away Base Type BKB	Category	Price	Freight charges	Price including freight charges
Castor Set, polyamide, Load capacity 1350 kg / castor set	A	192,-	15,-	207,-

Tilting Container Type BKC	Category	Price	Freight charges	Price including freight charges
BKC 200, painted	A	2308,-	455,-	2763,-
Lid, galvanized	A	450,-	123,-	573,-
Skip Body Welded Oil and Watertight	A	121,-	0,-	121,-
BKC 200, hot-dip galvanized	A	3089,-	455,-	3544,-
Lid, galvanized	A	450,-	123,-	573,-
Skip Body Welded Oil and Watertight	A	121,-	0,-	121,-
BKC 300, painted	A	2558,-	455,-	3013,-
Lid, galvanized	A	450,-	123,-	573,-
Skip Body Welded Oil and Watertight	A	121,-	0,-	121,-
BKC 300, hot-dip galvanized	A	3367,-	455,-	3822,-
Lid, galvanized	A	450,-	123,-	573,-
Skip Body Welded Oil and Watertight	A	121,-	0,-	121,-
BKC 400, painted	A	3150,-	455,-	3605,-
Lid, galvanized	A	450,-	180,-	630,-
Skip Body Welded Oil and Watertight	A	121,-	0,-	121,-
BKC 400, hot-dip galvanized	A	4067,-	598,-	4665,-
Lid, galvanized	A	450,-	180,-	630,-
Skip Body Welded Oil and Watertight	A	121,-	0,-	121,-
BKC 500, painted	A	3659,-	598,-	4257,-
Lid, galvanized	A	450,-	180,-	630,-
Skip Body Welded Oil and Watertight	A	121,-	0,-	121,-
BKC 500, hot-dip galvanized	A	4641,-	598,-	5239,-
Lid, galvanized	A	450,-	180,-	630,-
Skip Body Welded Oil and Watertight	A	121,-	0,-	121,-

Tilting Container Type BKC-H	Category	Price	Freight charges	Price including freight charges
BKC-H 200, painted	A	3422,-	455,-	3877,-
Lid, galvanized	A	450,-	123,-	573,-
Skip Body Welded Oil and Watertight	A	121,-	0,-	121,-
BKC-H 200, hot-dip galvanized	A	4204,-	455,-	4659,-
Lid, galvanized	A	450,-	123,-	573,-
Skip Body Welded Oil and Watertight	A	121,-	0,-	121,-
BKC-H 300, painted	A	3673,-	455,-	4128,-
Lid, galvanized	A	450,-	123,-	573,-
Skip Body Welded Oil and Watertight	A	121,-	0,-	121,-
BKC-H 300, hot-dip galvanized	A	4483,-	455,-	4938,-
Lid, galvanized	A	450,-	123,-	573,-
Skip Body Welded Oil and Watertight	A	121,-	0,-	121,-
BKC-H 400, painted	A	4265,-	455,-	4720,-
Lid, galvanized	A	450,-	180,-	630,-
Skip Body Welded Oil and Watertight	A	121,-	0,-	121,-
BKC-H 400, hot-dip galvanized	A	5182,-	598,-	5780,-

Prices in EUR, valid EXW DE-46354 Südlohn, DE-38820 Halberstadt, unpacked
 Freight charges valid CPT Slovenia, islands and oversea territories excluded

Price List 0726 en-SI

Forklift Truck Attachments



Tilting Container Type BKC-H	Category	Price	Freight charges	Price including freight charges
Lid, galvanized	A	450,-	180,-	630,-
Skip Body Welded Oil and Watertight	A	121,-	0,-	121,-
BKC-H 500, painted	A	4774,-	598,-	5372,-
Lid, galvanized	A	450,-	180,-	630,-
Skip Body Welded Oil and Watertight	A	121,-	0,-	121,-
BKC-H 500, hot-dip galvanized	A	5756,-	598,-	6354,-
Lid, galvanized	A	450,-	180,-	630,-
Skip Body Welded Oil and Watertight	A	121,-	0,-	121,-

Tilting Container Type BKM	Category	Price	Freight charges	Price including freight charges
BKM 30, painted	A	700,-	180,-	880,-
Lid, galvanized	A	104,-	18,-	122,-
Castor Set, polyamide, Load capacity 1350 kg / castor set	A	192,-	15,-	207,-
Heavy-duty Castor Set, polyamide, Load capacity 2550 kg / castor set	A	379,-	15,-	394,-
Skip Body Welded Oil and Watertight	A	78,-	0,-	78,-
BKM 30, hot-dip galvanized	A	984,-	180,-	1164,-
Lid, galvanized	A	104,-	18,-	122,-
Castor Set, polyamide, Load capacity 1350 kg / castor set	A	192,-	15,-	207,-
Heavy-duty Castor Set, polyamide, Load capacity 2550 kg / castor set	A	379,-	15,-	394,-
Skip Body Welded Oil and Watertight	A	78,-	0,-	78,-
BKM 50, painted	A	984,-	180,-	1164,-
Lid, galvanized	A	130,-	21,-	151,-
Castor Set, polyamide, Load capacity 1350 kg / castor set	A	192,-	15,-	207,-
Heavy-duty Castor Set, polyamide, Load capacity 2550 kg / castor set	A	379,-	15,-	394,-
Skip Body Welded Oil and Watertight	A	78,-	0,-	78,-
BKM 50, hot-dip galvanized	A	1327,-	180,-	1507,-
Lid, galvanized	A	130,-	21,-	151,-
Castor Set, polyamide, Load capacity 1350 kg / castor set	A	192,-	15,-	207,-
Heavy-duty Castor Set, polyamide, Load capacity 2550 kg / castor set	A	379,-	15,-	394,-
Skip Body Welded Oil and Watertight	A	78,-	0,-	78,-
BKM 75, painted	A	1246,-	261,-	1507,-
Lid, galvanized	A	142,-	22,-	164,-
Castor Set, polyamide, Load capacity 1350 kg / castor set	A	192,-	15,-	207,-
Heavy-duty Castor Set, polyamide, Load capacity 2550 kg / castor set	A	379,-	15,-	394,-
Skip Body Welded Oil and Watertight	A	78,-	0,-	78,-
BKM 75, hot-dip galvanized	A	1672,-	261,-	1933,-
Lid, galvanized	A	142,-	22,-	164,-
Castor Set, polyamide, Load capacity 1350 kg / castor set	A	192,-	15,-	207,-
Heavy-duty Castor Set, polyamide, Load capacity 2550 kg / castor set	A	379,-	15,-	394,-
Skip Body Welded Oil and Watertight	A	78,-	0,-	78,-
BKM 100, painted	A	1508,-	261,-	1769,-
Lid, galvanized	A	185,-	27,-	212,-
Castor Set, polyamide, Load capacity 1350 kg / castor set	A	192,-	15,-	207,-
Heavy-duty Castor Set, polyamide, Load capacity 2550 kg / castor set	A	379,-	15,-	394,-
Skip Body Welded Oil and Watertight	A	121,-	0,-	121,-
BKM 100, hot-dip galvanized	A	2070,-	261,-	2331,-

Prices in EUR, valid EXW DE-46354 Südlohn, DE-38820 Halberstadt, unpacked
Freight charges valid CPT Slovenia, islands and oversea territories excluded

Price List 0726 en-SI

Forklift Truck Attachments



Tilting Container Type BKM	Category	Price	Freight charges	Price including freight charges
Lid, galvanized	A	185,-	27,-	212,-
Castor Set, polyamide, Load capacity 1350 kg / castor set	A	192,-	15,-	207,-
Heavy-duty Castor Set, polyamide, Load capacity 2550 kg / castor set	A	379,-	15,-	394,-
Skip Body Welded Oil and Watertight	A	121,-	0,-	121,-
BKM 150, painted	A	1801,-	333,-	2134,-
Lid, galvanized	A	271,-	36,-	307,-
Castor Set, polyamide, Load capacity 1350 kg / castor set	A	192,-	15,-	207,-
Heavy-duty Castor Set, polyamide, Load capacity 2550 kg / castor set	A	379,-	15,-	394,-
Skip Body Welded Oil and Watertight	A	121,-	0,-	121,-
BKM 150, hot-dip galvanized	A	2444,-	333,-	2777,-
Lid, galvanized	A	271,-	36,-	307,-
Castor Set, polyamide, Load capacity 1350 kg / castor set	A	192,-	15,-	207,-
Heavy-duty Castor Set, polyamide, Load capacity 2550 kg / castor set	A	379,-	15,-	394,-
Skip Body Welded Oil and Watertight	A	121,-	0,-	121,-
BKM 200, painted	A	2240,-	333,-	2573,-
Lid, galvanized	A	302,-	123,-	425,-
Castor Set, polyamide, Load capacity 1350 kg / castor set	A	192,-	15,-	207,-
Heavy-duty Castor Set, polyamide, Load capacity 2550 kg / castor set	A	379,-	15,-	394,-
Skip Body Welded Oil and Watertight	A	121,-	0,-	121,-
Lid, galvanized	A	302,-	123,-	425,-
Castor Set, polyamide, Load capacity 1350 kg / castor set	A	192,-	15,-	207,-
Heavy-duty Castor Set, polyamide, Load capacity 2550 kg / castor set	A	379,-	15,-	394,-
Skip Body Welded Oil and Watertight	A	121,-	0,-	121,-
Traverse For Stacking Tipplers Type BKT	Category	Price	Freight charges	Price including freight charges
BKT 30, painted	A	368,-	180,-	548,-
Traverse Stand Type TS, hot-dip galvanized	A	78,-	8,-	86,-
BKT 55, painted	A	390,-	180,-	570,-
Traverse Stand Type TS, hot-dip galvanized	A	78,-	9,-	87,-
BKT 70, painted	A	390,-	180,-	570,-
Traverse Stand Type TS, hot-dip galvanized	A	78,-	9,-	87,-
BKT 90, painted	A	392,-	180,-	572,-
Traverse Stand Type TS, hot-dip galvanized	A	78,-	9,-	87,-
BKT 150, painted	A	631,-	180,-	811,-
Traverse Stand Type TS, hot-dip galvanized	A	78,-	9,-	87,-
BKT 200, painted	A	696,-	180,-	876,-
Traverse Stand Type TS, hot-dip galvanized	A	78,-	9,-	87,-
Shovel Type BSE	Category	Price	Freight charges	Price including freight charges
BSE 50, painted	A	1486,-	261,-	1747,-
BSE 75, painted	A	1769,-	261,-	2030,-
BSE 100, painted	A	2219,-	333,-	2552,-
BSE 150, painted	A	2507,-	333,-	2840,-
BSE 200, painted	A	2786,-	455,-	3241,-
BSE 250, painted	A	3433,-	508,-	3941,-

Prices in EUR, valid EXW DE-46354 Südlohn, DE-38820 Halberstadt, unpacked
Freight charges valid CPT Slovenia, islands and oversea territories excluded

Price List 0726 en-SI

Forklift Truck Attachments



Shovel Type BSI	Category	Price	Freight charges	Price including freight charges
BSI 50, painted	A	1257,-	180,-	1437,-
BSI 75, painted	A	1424,-	261,-	1685,-
BSI 100, painted	A	1786,-	261,-	2047,-
Stacking Tipper Type BSK	Category	Price	Freight charges	Price including freight charges
BSK 30, painted	A	265,-	123,-	388,-
Lid, galvanized	A	69,-	12,-	81,-
Castor Set, polyamide, Load capacity 1350 kg / castor set	A	192,-	15,-	207,-
Skip Body Welded Oil and Watertight	A	78,-	0,-	78,-
Set of 5 self-adhesive stickers with symbols for: glass, paper, plastic, metal, residual waste	A	29,-	on request	on request
BSK 30, hot-dip galvanized	A	320,-	123,-	443,-
Lid, galvanized	A	69,-	12,-	81,-
Castor Set, polyamide, Load capacity 1350 kg / castor set	A	192,-	15,-	207,-
Skip Body Welded Oil and Watertight	A	78,-	0,-	78,-
Set of 5 self-adhesive stickers with symbols for: glass, paper, plastic, metal, residual waste	A	29,-	on request	on request
BSK 55, painted	A	332,-	123,-	455,-
Lid, galvanized	A	98,-	15,-	113,-
Castor Set, polyamide, Load capacity 1350 kg / castor set	A	192,-	15,-	207,-
Skip Body Welded Oil and Watertight	A	78,-	0,-	78,-
Set of 5 self-adhesive stickers with symbols for: glass, paper, plastic, metal, residual waste	A	29,-	on request	on request
BSK 55, hot-dip galvanized	A	405,-	123,-	528,-
Lid, galvanized	A	98,-	15,-	113,-
Castor Set, polyamide, Load capacity 1350 kg / castor set	A	192,-	15,-	207,-
Skip Body Welded Oil and Watertight	A	78,-	0,-	78,-
Set of 5 self-adhesive stickers with symbols for: glass, paper, plastic, metal, residual waste	A	29,-	on request	on request
BSK 70, painted	A	352,-	123,-	475,-
Lid, galvanized	A	122,-	15,-	137,-
Castor Set, polyamide, Load capacity 1350 kg / castor set	A	192,-	15,-	207,-
Skip Body Welded Oil and Watertight	A	78,-	0,-	78,-
Set of 5 self-adhesive stickers with symbols for: glass, paper, plastic, metal, residual waste	A	29,-	on request	on request
BSK 70, hot-dip galvanized	A	457,-	123,-	580,-
Lid, galvanized	A	122,-	15,-	137,-
Castor Set, polyamide, Load capacity 1350 kg / castor set	A	192,-	15,-	207,-
Skip Body Welded Oil and Watertight	A	78,-	0,-	78,-
Set of 5 self-adhesive stickers with symbols for: glass, paper, plastic, metal, residual waste	A	29,-	on request	on request
BSK 90, painted	A	379,-	123,-	502,-
Lid, galvanized	A	166,-	18,-	184,-
Castor Set, polyamide, Load capacity 1350 kg / castor set	A	192,-	15,-	207,-
Skip Body Welded Oil and Watertight	A	78,-	0,-	78,-
Set of 5 self-adhesive stickers with symbols for: glass, paper, plastic, metal, residual waste	A	29,-	on request	on request
BSK 90, hot-dip galvanized	A	487,-	180,-	667,-
Lid, galvanized	A	166,-	18,-	184,-
Castor Set, polyamide, Load capacity 1350 kg / castor set	A	192,-	15,-	207,-
Skip Body Welded Oil and Watertight	A	78,-	0,-	78,-
Set of 5 self-adhesive stickers with symbols for: glass, paper, plastic, metal, residual waste	A	29,-	on request	on request
BSK 150, painted	A	871,-	180,-	1051,-

Prices in EUR, valid EXW DE-46354 Südlohn, DE-38820 Halberstadt, unpacked
Freight charges valid CPT Slovenia, islands and oversea territories excluded

Price List 0726 en-SI

Forklift Truck Attachments



Stacking Tipper Type BSK	Category	Price	Freight charges	Price including freight charges
Lid, galvanized	A	223,-	21,-	244,-
Castor Set, polyamide, Load capacity 1350 kg / castor set	A	192,-	15,-	207,-
Skip Body Welded Oil and Watertight	A	121,-	0,-	121,-
Set of 5 self-adhesive stickers with symbols for: glass, paper, plastic, metal, residual waste	A	29,-	on request	on request
BSK 150, hot-dip galvanized	A	1019,-	180,-	1199,-
Lid, galvanized	A	223,-	21,-	244,-
Castor Set, polyamide, Load capacity 1350 kg / castor set	A	192,-	15,-	207,-
Skip Body Welded Oil and Watertight	A	121,-	0,-	121,-
Set of 5 self-adhesive stickers with symbols for: glass, paper, plastic, metal, residual waste	A	29,-	on request	on request
BSK 200, painted	A	934,-	180,-	1114,-
Lid, galvanized	A	284,-	26,-	310,-
Castor Set, polyamide, Load capacity 1350 kg / castor set	A	192,-	15,-	207,-
Skip Body Welded Oil and Watertight	A	121,-	0,-	121,-
Set of 5 self-adhesive stickers with symbols for: glass, paper, plastic, metal, residual waste	A	29,-	on request	on request
BSK 200, hot-dip galvanized	A	1169,-	180,-	1349,-
Lid, galvanized	A	284,-	26,-	310,-
Castor Set, polyamide, Load capacity 1350 kg / castor set	A	192,-	15,-	207,-
Skip Body Welded Oil and Watertight	A	121,-	0,-	121,-
Set of 5 self-adhesive stickers with symbols for: glass, paper, plastic, metal, residual waste	A	29,-	on request	on request
Lattice Tilting Container Type BSK-G	Category	Price	Freight charges	Price including freight charges
BSK-G 90, painted	A	344,-	123,-	467,-
Lid, galvanized	A	166,-	18,-	184,-
Castor Set, polyamide, Load capacity 1350 kg / castor set	A	192,-	15,-	207,-
BSK-G 90, hot-dip galvanized	A	419,-	123,-	542,-
Lid, galvanized	A	166,-	18,-	184,-
Castor Set, polyamide, Load capacity 1350 kg / castor set	A	192,-	15,-	207,-
Swarf Stacking Tipper Type BSL	Category	Price	Freight charges	Price including freight charges
BSL 30, painted	A	590,-	123,-	713,-
Lid, galvanized	A	69,-	12,-	81,-
Castor Set, polyamide, Load capacity 1350 kg / castor set	A	192,-	15,-	207,-
BSL 30, hot-dip galvanized	A	679,-	123,-	802,-
Lid, galvanized	A	69,-	12,-	81,-
Castor Set, polyamide, Load capacity 1350 kg / castor set	A	192,-	15,-	207,-
BSL 55, painted	A	726,-	180,-	906,-
Lid, galvanized	A	98,-	15,-	113,-
Castor Set, polyamide, Load capacity 1350 kg / castor set	A	192,-	15,-	207,-
BSL 55, hot-dip galvanized	A	852,-	180,-	1032,-
Lid, galvanized	A	98,-	15,-	113,-
Castor Set, polyamide, Load capacity 1350 kg / castor set	A	192,-	15,-	207,-
BSL 70, painted	A	763,-	180,-	943,-
Lid, galvanized	A	122,-	15,-	137,-
Castor Set, polyamide, Load capacity 1350 kg / castor set	A	192,-	15,-	207,-
BSL 70, hot-dip galvanized	A	912,-	180,-	1092,-

Prices in EUR, valid EXW DE-46354 Südlohn, DE-38820 Halberstadt, unpacked
Freight charges valid CPT Slovenia, islands and oversea territories excluded

Price List 0726 en-SI

Forklift Truck Attachments



Swarf Stacking Tipper Type BSL	Category	Price	Freight charges	Price including freight charges
Lid, galvanized	A	122,-	15,-	137,-
Castor Set, polyamide, Load capacity 1350 kg / castor set	A	192,-	15,-	207,-
BSL 90, painted	A	830,-	180,-	1010,-
Lid, galvanized	A	166,-	18,-	184,-
Castor Set, polyamide, Load capacity 1350 kg / castor set	A	192,-	15,-	207,-
BSL 90, hot-dip galvanized	A	1004,-	180,-	1184,-
Lid, galvanized	A	166,-	18,-	184,-
Castor Set, polyamide, Load capacity 1350 kg / castor set	A	192,-	15,-	207,-
BSL 150, painted	A	1227,-	180,-	1407,-
Lid, galvanized	A	223,-	21,-	244,-
Castor Set, polyamide, Load capacity 1350 kg / castor set	A	192,-	15,-	207,-
BSL 150, hot-dip galvanized	A	1490,-	261,-	1751,-
Lid, galvanized	A	223,-	21,-	244,-
Castor Set, polyamide, Load capacity 1350 kg / castor set	A	192,-	15,-	207,-
BSL 200, painted	A	1327,-	261,-	1588,-
Lid, galvanized	A	284,-	26,-	310,-
Castor Set, polyamide, Load capacity 1350 kg / castor set	A	192,-	15,-	207,-
BSL 200, hot-dip galvanized	A	1792,-	261,-	2053,-
Lid, galvanized	A	284,-	26,-	310,-
Castor Set, polyamide, Load capacity 1350 kg / castor set	A	192,-	15,-	207,-

Shovel Type BSM	Category	Price	Freight charges	Price including freight charges
BSM 50, painted	A	1486,-	180,-	1666,-
BSM 75, painted	A	1769,-	261,-	2030,-
BSM 100, painted	A	2219,-	333,-	2552,-
BSM 150, painted	A	2507,-	333,-	2840,-
BSM 200, painted	A	2786,-	455,-	3241,-
BSM 250, painted	A	3433,-	508,-	3941,-

Swarf Stacking Tipper Type BSS	Category	Price	Freight charges	Price including freight charges
BSS 30, painted	A	422,-	123,-	545,-
Lid, galvanized	A	69,-	12,-	81,-
Castor Set, polyamide, Load capacity 1350 kg / castor set	A	192,-	15,-	207,-
BSS 30, hot-dip galvanized	A	490,-	123,-	613,-
Lid, galvanized	A	69,-	12,-	81,-
Castor Set, polyamide, Load capacity 1350 kg / castor set	A	192,-	15,-	207,-
BSS 55, painted	A	523,-	123,-	646,-
Lid, galvanized	A	98,-	15,-	113,-
Castor Set, polyamide, Load capacity 1350 kg / castor set	A	192,-	15,-	207,-
BSS 55, hot-dip galvanized	A	648,-	123,-	771,-
Lid, galvanized	A	98,-	15,-	113,-
Castor Set, polyamide, Load capacity 1350 kg / castor set	A	192,-	15,-	207,-
BSS 70, painted	A	561,-	123,-	684,-
Lid, galvanized	A	122,-	15,-	137,-
Castor Set, polyamide, Load capacity 1350 kg / castor set	A	192,-	15,-	207,-

Prices in EUR, valid EXW DE-46354 Südlohn, DE-38820 Halberstadt, unpacked
 Freight charges valid CPT Slovenia, islands and oversea territories excluded

Price List 0726 en-SI

Forklift Truck Attachments



Swarf Stacking Tipper Type BSS	Category	Price	Freight charges	Price including freight charges
BSS 70, hot-dip galvanized	A	708,-	180,-	888,-
Lid, galvanized	A	122,-	15,-	137,-
Castor Set, polyamide, Load capacity 1350 kg / castor set	A	192,-	15,-	207,-
BSS 90, painted	A	597,-	180,-	777,-
Lid, galvanized	A	166,-	18,-	184,-
Castor Set, polyamide, Load capacity 1350 kg / castor set	A	192,-	15,-	207,-
BSS 90, hot-dip galvanized	A	765,-	180,-	945,-
Lid, galvanized	A	166,-	18,-	184,-
Castor Set, polyamide, Load capacity 1350 kg / castor set	A	192,-	15,-	207,-
BSS 150, painted	A	907,-	180,-	1087,-
Lid, galvanized	A	223,-	21,-	244,-
Castor Set, polyamide, Load capacity 1350 kg / castor set	A	192,-	15,-	207,-
BSS 150, hot-dip galvanized	A	1166,-	180,-	1346,-
Lid, galvanized	A	223,-	21,-	244,-
Castor Set, polyamide, Load capacity 1350 kg / castor set	A	192,-	15,-	207,-
BSS 200, painted	A	1024,-	180,-	1204,-
Lid, galvanized	A	284,-	26,-	310,-
Castor Set, polyamide, Load capacity 1350 kg / castor set	A	192,-	15,-	207,-
BSS 200, hot-dip galvanized	A	1371,-	261,-	1632,-
Lid, galvanized	A	284,-	26,-	310,-
Castor Set, polyamide, Load capacity 1350 kg / castor set	A	192,-	15,-	207,-

Traverse For Stacking Tipper Type BST	Category	Price	Freight charges	Price including freight charges
BST 30, painted	A	332,-	123,-	455,-
Traverse Stand Type TS, hot-dip galvanized	A	78,-	8,-	86,-
BST 55, painted	A	354,-	123,-	477,-
Traverse Stand Type TS, hot-dip galvanized	A	78,-	9,-	87,-
BST 70, painted	A	354,-	123,-	477,-
Traverse Stand Type TS, hot-dip galvanized	A	78,-	9,-	87,-
BST 90, painted	A	368,-	123,-	491,-
Traverse Stand Type TS, hot-dip galvanized	A	78,-	9,-	87,-
BST 150, painted	A	551,-	180,-	731,-
Traverse Stand Type TS, hot-dip galvanized	A	78,-	9,-	87,-
BST 200, painted	A	612,-	180,-	792,-
Traverse Stand Type TS, hot-dip galvanized	A	78,-	9,-	87,-

Traverse For Stacking Tipper Type BST-H	Category	Price	Freight charges	Price including freight charges
BST-H 30, painted	A	2127,-	180,-	2307,-
Traverse Stand Type TS, hot-dip galvanized	A	78,-	8,-	86,-
BST-H 55, painted	A	2257,-	180,-	2437,-
Traverse Stand Type TS, hot-dip galvanized	A	78,-	8,-	86,-
BST-H 70, painted	A	2257,-	180,-	2437,-
Traverse Stand Type TS, hot-dip galvanized	A	78,-	8,-	86,-
BST-H 90, painted	A	2374,-	180,-	2554,-
Traverse Stand Type TS, hot-dip galvanized	A	78,-	8,-	86,-

Prices in EUR, valid EXW DE-46354 Südlohn, DE-38820 Halberstadt, unpacked
 Freight charges valid CPT Slovenia, islands and oversea territories excluded

Price List 0726 en-SI

Forklift Truck Attachments



Traverse For Stacking Tipplers Type BST-H	Category	Price	Freight charges	Price including freight charges
BST-H 150, painted	A	2700,-	261,-	2961,-
Traverse Stand Type TS, hot-dip galvanized	A	78,-	9,-	87,-
BST-H 200, painted	A	2972,-	261,-	3233,-
Traverse Stand Type TS, hot-dip galvanized	A	78,-	9,-	87,-
Traverse For Stacking Tipplers Type BST-U	Category	Price	Freight charges	Price including freight charges
BST-U 30, painted	A	956,-	180,-	1136,-
BST-U 55, painted	A	1020,-	180,-	1200,-
BST-U 70, painted	A	1020,-	180,-	1200,-
BST-U 90, painted	A	1047,-	180,-	1227,-
Beam Traverse Type BT	Category	Price	Freight charges	Price including freight charges
BT 3001, painted	A	1877,-	261,-	2138,-
Support frames, hot-dip galvanized	A	276,-	123,-	399,-
BT 3002, painted	A	2117,-	261,-	2378,-
Support frames, hot-dip galvanized	A	276,-	123,-	399,-
BT 3003, painted	A	2276,-	261,-	2537,-
Support frames, hot-dip galvanized	A	276,-	123,-	399,-
BT 3005, painted	A	2596,-	342,-	2938,-
Support frames, hot-dip galvanized	A	276,-	123,-	399,-
Filling Hopper Type BTM	Category	Price	Freight charges	Price including freight charges
BTM, painted	A	2461,-	333,-	2794,-
Filling Hopper Type BTS	Category	Price	Freight charges	Price including freight charges
BTS, painted	A	2107,-	333,-	2440,-
Bin Type C	Category	Price	Freight charges	Price including freight charges
C 30, painted	A	422,-	123,-	545,-
C 30, hot-dip galvanized	A	463,-	123,-	586,-
C 80, painted	A	607,-	123,-	730,-
C 80, hot-dip galvanized	A	653,-	123,-	776,-
Swarf Bin Type CS	Category	Price	Freight charges	Price including freight charges
CS 30, painted	A	486,-	123,-	609,-
CS 30, hot-dip galvanized	A	532,-	123,-	655,-
CS 80, painted	A	717,-	123,-	840,-
CS 80, hot-dip galvanized	A	766,-	180,-	946,-
Shovel Type DGS	Category	Price	Freight charges	Price including freight charges
DGS 500, painted	A	2655,-	261,-	2916,-
DGS 700, painted	A	2685,-	261,-	2946,-
DGS 950, painted	A	2723,-	333,-	3056,-
DGS 1200, painted	A	2924,-	333,-	3257,-

Prices in EUR, valid EXW DE-46354 Südlohn, DE-38820 Halberstadt, unpacked
Freight charges valid CPT Slovenia, islands and oversea territories excluded

Price List 0726 en-SI

Forklift Truck Attachments



Tilting Container Type DUO	Category	Price	Freight charges	Price including freight charges
DUO, painted	A	1867,-	261,-	2128,-
Lid, galvanized	A	236,-	27,-	263,-
Castor Set, polyamide, Load capacity 1350 kg / castor set	A	192,-	15,-	207,-
Set of 5 self-adhesive stickers with symbols for: glass, paper, plastic, metal, residual waste	A	29,-	on request	on request
Tilting Container Type EXPO®	Category	Price	Freight charges	Price including freight charges
EXPO 150, painted	A	608,-	123,-	731,-
Lid, galvanized	A	174,-	18,-	192,-
Castor Set, polyamide, Load capacity 1050 kg / castor set	A	156,-	15,-	171,-
Skip Body Welded Oil and Watertight	A	78,-	0,-	78,-
EXPO 150, hot-dip galvanized	A	717,-	123,-	840,-
Lid, galvanized	A	174,-	18,-	192,-
Castor Set, polyamide, Load capacity 1050 kg / castor set	A	156,-	15,-	171,-
Skip Body Welded Oil and Watertight	A	78,-	0,-	78,-
EXPO 225, painted	A	662,-	123,-	785,-
Lid, galvanized	A	174,-	18,-	192,-
Castor Set, polyamide, Load capacity 1050 kg / castor set	A	156,-	15,-	171,-
Skip Body Welded Oil and Watertight	A	78,-	0,-	78,-
EXPO 225, hot-dip galvanized	A	785,-	123,-	908,-
Lid, galvanized	A	174,-	18,-	192,-
Castor Set, polyamide, Load capacity 1050 kg / castor set	A	156,-	15,-	171,-
Skip Body Welded Oil and Watertight	A	78,-	0,-	78,-
EXPO 275, painted	A	691,-	123,-	814,-
Lid, galvanized	A	174,-	18,-	192,-
Castor Set, polyamide, Load capacity 1050 kg / castor set	A	156,-	15,-	171,-
Skip Body Welded Oil and Watertight	A	78,-	0,-	78,-
EXPO 275, hot-dip galvanized	A	826,-	123,-	949,-
Lid, galvanized	A	174,-	18,-	192,-
Castor Set, polyamide, Load capacity 1050 kg / castor set	A	156,-	15,-	171,-
Skip Body Welded Oil and Watertight	A	78,-	0,-	78,-
EXPO 300, painted	A	623,-	180,-	803,-
Lid, galvanized	A	174,-	18,-	192,-
Castor Set, polyamide, Load capacity 1350 kg / castor set	A	192,-	15,-	207,-
Skip Body Welded Oil and Watertight	A	78,-	0,-	78,-
EXPO 300, hot-dip galvanized	A	798,-	180,-	978,-
Lid, galvanized	A	174,-	18,-	192,-
Castor Set, polyamide, Load capacity 1350 kg / castor set	A	192,-	15,-	207,-
Skip Body Welded Oil and Watertight	A	78,-	0,-	78,-
EXPO 600, painted	A	733,-	180,-	913,-
Lid, galvanized	A	196,-	22,-	218,-
Castor Set, polyamide, Load capacity 1350 kg / castor set	A	192,-	15,-	207,-
Skip Body Welded Oil and Watertight	A	78,-	0,-	78,-
EXPO 600, hot-dip galvanized	A	879,-	180,-	1059,-
Lid, galvanized	A	196,-	22,-	218,-
Castor Set, polyamide, Load capacity 1350 kg / castor set	A	192,-	15,-	207,-
Skip Body Welded Oil and Watertight	A	78,-	0,-	78,-

Prices in EUR, valid EXW DE-46354 Südlohn, DE-38820 Halberstadt, unpacked
Freight charges valid CPT Slovenia, islands and oversea territories excluded

Price List 0726 en-SI

Forklift Truck Attachments



Tilting Container Type EXPO®	Category	Price	Freight charges	Price including freight charges
EXPO 900, painted	A	818,-	180,-	998,-
Lid, galvanized	A	223,-	27,-	250,-
Castor Set, polyamide, Load capacity 1350 kg / castor set	A	192,-	15,-	207,-
Skip Body Welded Oil and Watertight	A	78,-	0,-	78,-
EXPO 900, hot-dip galvanized	A	964,-	180,-	1144,-
Lid, galvanized	A	223,-	27,-	250,-
Castor Set, polyamide, Load capacity 1350 kg / castor set	A	192,-	15,-	207,-
Skip Body Welded Oil and Watertight	A	78,-	0,-	78,-
EXPO 1200, painted	A	885,-	261,-	1146,-
Lid, galvanized	A	223,-	26,-	249,-
Castor Set, polyamide, Load capacity 1350 kg / castor set	A	192,-	15,-	207,-
Skip Body Welded Oil and Watertight	A	121,-	0,-	121,-
EXPO 1200, hot-dip galvanized	A	1042,-	261,-	1303,-
Lid, galvanized	A	223,-	26,-	249,-
Castor Set, polyamide, Load capacity 1350 kg / castor set	A	192,-	15,-	207,-
Skip Body Welded Oil and Watertight	A	121,-	0,-	121,-
EXPO 1700, painted	A	1202,-	261,-	1463,-
Lid, galvanized	A	276,-	33,-	309,-
Castor Set, polyamide, Load capacity 1350 kg / castor set	A	192,-	15,-	207,-
Skip Body Welded Oil and Watertight	A	121,-	0,-	121,-
EXPO 1700, hot-dip galvanized	A	1435,-	261,-	1696,-
Lid, galvanized	A	276,-	33,-	309,-
Castor Set, polyamide, Load capacity 1350 kg / castor set	A	192,-	15,-	207,-
Skip Body Welded Oil and Watertight	A	121,-	0,-	121,-
EXPO 2100, painted	A	1325,-	261,-	1586,-
Lid, galvanized	A	360,-	36,-	396,-
Castor Set, polyamide, Load capacity 1350 kg / castor set	A	192,-	15,-	207,-
Skip Body Welded Oil and Watertight	A	121,-	0,-	121,-
EXPO 2100, hot-dip galvanized	A	1606,-	261,-	1867,-
Lid, galvanized	A	360,-	36,-	396,-
Castor Set, polyamide, Load capacity 1350 kg / castor set	A	192,-	15,-	207,-
Skip Body Welded Oil and Watertight	A	121,-	0,-	121,-
Swarf Tilting Container Type EXPO®-E	Category	Price	Freight charges	Price including freight charges
EXPO-E 150, painted	A	729,-	123,-	852,-
Lid, galvanized	A	174,-	18,-	192,-
Castor Set, polyamide, Load capacity 1050 kg / castor set	A	156,-	15,-	171,-
EXPO-E 150, hot-dip galvanized	A	837,-	123,-	960,-
Lid, galvanized	A	174,-	18,-	192,-
Castor Set, polyamide, Load capacity 1050 kg / castor set	A	156,-	15,-	171,-
EXPO-E 225, painted	A	782,-	123,-	905,-
Lid, galvanized	A	174,-	18,-	192,-
Castor Set, polyamide, Load capacity 1050 kg / castor set	A	156,-	15,-	171,-
EXPO-E 225, hot-dip galvanized	A	907,-	123,-	1030,-
Lid, galvanized	A	174,-	18,-	192,-
Castor Set, polyamide, Load capacity 1050 kg / castor set	A	156,-	15,-	171,-

Prices in EUR, valid EXW DE-46354 Südlohn, DE-38820 Halberstadt, unpacked
Freight charges valid CPT Slovenia, islands and oversea territories excluded

Price List 0726 en-SI

Forklift Truck Attachments



Swarf Tilting Container Type EXPO®-E	Category	Price	Freight charges	Price including freight charges
EXPO-E 275, painted	A	812,-	123,-	935,-
Lid, galvanized	A	174,-	18,-	192,-
Castor Set, polyamide, Load capacity 1050 kg / castor set	A	156,-	15,-	171,-
EXPO-E 275, hot-dip galvanized	A	944,-	123,-	1067,-
Lid, galvanized	A	174,-	18,-	192,-
Castor Set, polyamide, Load capacity 1050 kg / castor set	A	156,-	15,-	171,-
EXPO-E 300, painted	A	744,-	180,-	924,-
Lid, galvanized	A	174,-	18,-	192,-
Castor Set, polyamide, Load capacity 1350 kg / castor set	A	192,-	15,-	207,-
EXPO-E 300, hot-dip galvanized	A	919,-	180,-	1099,-
Lid, galvanized	A	174,-	18,-	192,-
Castor Set, polyamide, Load capacity 1350 kg / castor set	A	192,-	15,-	207,-
EXPO-E 600, painted	A	853,-	180,-	1033,-
Lid, galvanized	A	196,-	22,-	218,-
Castor Set, polyamide, Load capacity 1350 kg / castor set	A	192,-	15,-	207,-
EXPO-E 600, hot-dip galvanized	A	999,-	180,-	1179,-
Lid, galvanized	A	196,-	22,-	218,-
Castor Set, polyamide, Load capacity 1350 kg / castor set	A	192,-	15,-	207,-
EXPO-E 900, painted	A	938,-	180,-	1118,-
Lid, galvanized	A	223,-	27,-	250,-
Castor Set, polyamide, Load capacity 1350 kg / castor set	A	192,-	15,-	207,-
EXPO-E 900, hot-dip galvanized	A	1085,-	180,-	1265,-
Lid, galvanized	A	223,-	27,-	250,-
Castor Set, polyamide, Load capacity 1350 kg / castor set	A	192,-	15,-	207,-
EXPO-E 1200, painted	A	1048,-	261,-	1309,-
Lid, galvanized	A	223,-	26,-	249,-
Castor Set, polyamide, Load capacity 1350 kg / castor set	A	192,-	15,-	207,-
EXPO-E 1200, hot-dip galvanized	A	1204,-	261,-	1465,-
Lid, galvanized	A	223,-	26,-	249,-
Castor Set, polyamide, Load capacity 1350 kg / castor set	A	192,-	15,-	207,-
EXPO-E 1700, painted	A	1365,-	261,-	1626,-
Lid, galvanized	A	276,-	33,-	309,-
Castor Set, polyamide, Load capacity 1350 kg / castor set	A	192,-	15,-	207,-
EXPO-E 1700, hot-dip galvanized	A	1598,-	261,-	1859,-
Lid, galvanized	A	276,-	33,-	309,-
Castor Set, polyamide, Load capacity 1350 kg / castor set	A	192,-	15,-	207,-
EXPO-E 2100, painted	A	1488,-	261,-	1749,-
Lid, galvanized	A	360,-	36,-	396,-
Castor Set, polyamide, Load capacity 1350 kg / castor set	A	192,-	15,-	207,-
EXPO-E 2100, hot-dip galvanized	A	1768,-	261,-	2029,-
Lid, galvanized	A	360,-	36,-	396,-
Castor Set, polyamide, Load capacity 1350 kg / castor set	A	192,-	15,-	207,-
Container With Drop Away Base Type FB	Category	Price	Freight charges	Price including freight charges
FB 500, painted	A	809,-	180,-	989,-
Lid, galvanized	A	196,-	15,-	211,-

Prices in EUR, valid EXW DE-46354 Südlohn, DE-38820 Halberstadt, unpacked
Freight charges valid CPT Slovenia, islands and oversea territories excluded

Price List 0726 en-SI

Forklift Truck Attachments



Container With Drop Away Base Type FB	Category	Price	Freight charges	Price including freight charges
Castor Set, polyamide, Load capacity 1350 kg / castor set	A	192,-	15,-	207,-
Guiding Plates, galvanized	A	116,-	12,-	128,-
FB 500, hot-dip galvanized	A	994,-	180,-	1174,-
Lid, galvanized	A	196,-	15,-	211,-
Castor Set, polyamide, Load capacity 1350 kg / castor set	A	192,-	15,-	207,-
Guiding Plates, galvanized	A	116,-	12,-	128,-
FB 750, painted	A	880,-	180,-	1060,-
Lid, galvanized	A	196,-	15,-	211,-
Castor Set, polyamide, Load capacity 1350 kg / castor set	A	192,-	15,-	207,-
Guiding Plates, galvanized	A	116,-	12,-	128,-
FB 750, hot-dip galvanized	A	1075,-	180,-	1255,-
Lid, galvanized	A	196,-	15,-	211,-
Castor Set, polyamide, Load capacity 1350 kg / castor set	A	192,-	15,-	207,-
Guiding Plates, galvanized	A	116,-	12,-	128,-
FB 1000, painted	A	942,-	180,-	1122,-
Lid, galvanized	A	238,-	18,-	256,-
Castor Set, polyamide, Load capacity 1350 kg / castor set	A	192,-	15,-	207,-
Guiding Plates, galvanized	A	116,-	12,-	128,-
FB 1000, hot-dip galvanized	A	1157,-	180,-	1337,-
Lid, galvanized	A	238,-	18,-	256,-
Castor Set, polyamide, Load capacity 1350 kg / castor set	A	192,-	15,-	207,-
Guiding Plates, galvanized	A	116,-	12,-	128,-
FB 1500, painted	A	1105,-	261,-	1366,-
Lid, galvanized	A	351,-	21,-	372,-
Castor Set, polyamide, Load capacity 1350 kg / castor set	A	192,-	15,-	207,-
Guiding Plates, galvanized	A	116,-	12,-	128,-
FB 1500, hot-dip galvanized	A	1392,-	261,-	1653,-
Lid, galvanized	A	351,-	21,-	372,-
Castor Set, polyamide, Load capacity 1350 kg / castor set	A	192,-	15,-	207,-
Guiding Plates, galvanized	A	116,-	12,-	128,-
FB 2000, painted	A	1192,-	261,-	1453,-
Lid, galvanized	A	351,-	21,-	372,-
Castor Set, polyamide, Load capacity 1350 kg / castor set	A	192,-	15,-	207,-
Guiding Plates, galvanized	A	116,-	12,-	128,-
FB 2000, hot-dip galvanized	A	1512,-	261,-	1773,-
Lid, galvanized	A	351,-	21,-	372,-
Castor Set, polyamide, Load capacity 1350 kg / castor set	A	192,-	15,-	207,-
Guiding Plates, galvanized	A	116,-	12,-	128,-
Drum Tipper Type FD/L-HK	Category	Price	Freight charges	Price including freight charges
FD/L-HK, painted	B	2324,-	180,-	2504,-
FD/L-HK, hot-dip galvanized	B	2765,-	180,-	2945,-
Drum Tipper Type FD/L-K	Category	Price	Freight charges	Price including freight charges
FD/L-K, painted	B	2515,-	180,-	2695,-

Prices in EUR, valid EXW DE-46354 Südlohn, DE-38820 Halberstadt, unpacked
Freight charges valid CPT Slovenia, islands and oversea territories excluded

Price List 0726 en-SI

Forklift Truck Attachments



Drum Tipper Type FD/L-K	Category	Price	Freight charges	Price including freight charges
FD/L-K, hot-dip galvanized	B	2965,-	180,-	3145,-
Drum Tipper Type FD-H	Category	Price	Freight charges	Price including freight charges
FD-H, painted	B	2593,-	123,-	2716,-
FD-H, hot-dip galvanized	B	2828,-	123,-	2951,-
Drum Tipper Type FD-HK	Category	Price	Freight charges	Price including freight charges
FD-HK, painted	B	1997,-	123,-	2120,-
FD-HK, hot-dip galvanized	B	2237,-	123,-	2360,-
Drum Tipper Type FD-K	Category	Price	Freight charges	Price including freight charges
FD-K, painted	B	2188,-	123,-	2311,-
FD-K, hot-dip galvanized	B	2437,-	123,-	2560,-
Drum Tipper Type FD-SK	Category	Price	Freight charges	Price including freight charges
FD-SK, painted	B	1997,-	123,-	2120,-
FD-SK, hot-dip galvanized	B	2237,-	123,-	2360,-
Drum Jack Type FH	Category	Price	Freight charges	Price including freight charges
FH-I 120, painted	B	1645,-	123,-	1768,-
FH-I 120, hot-dip galvanized	B	1823,-	123,-	1946,-
FH-I 220, painted	B	1645,-	123,-	1768,-
FH-I 220, hot-dip galvanized	B	1852,-	123,-	1975,-
FH-II 120, painted	B	2402,-	123,-	2525,-
FH-II 120, hot-dip galvanized	B	2673,-	123,-	2796,-
FH-II 220, painted	B	2402,-	123,-	2525,-
FH-II 220, hot-dip galvanized	B	2729,-	123,-	2852,-
Drum Gripper Type FK	Category	Price	Freight charges	Price including freight charges
FK-I, painted	B	1251,-	123,-	1374,-
FK-I, hot-dip galvanized	B	1524,-	123,-	1647,-
FK-II, painted	B	1488,-	180,-	1668,-
FK-II, hot-dip galvanized	B	1882,-	180,-	2062,-
Drum Clamp Type FKL	Category	Price	Freight charges	Price including freight charges
FKL, painted	B	480,-	50,-	530,-
Drum Tipper Type FLEX-HK	Category	Price	Freight charges	Price including freight charges
FLEX-HK, painted	B	2164,-	123,-	2287,-
Shelf Drum Pallet RP, galvanized	B	145,-	50,-	195,-
FLEX-HK, hot-dip galvanized	B	2338,-	123,-	2461,-
Shelf Drum Pallet RP, galvanized	B	145,-	50,-	195,-

Prices in EUR, valid EXW DE-46354 Südlohn, DE-38820 Halberstadt, unpacked
Freight charges valid CPT Slovenia, islands and oversea territories excluded

Price List 0726 en-SI

Forklift Truck Attachments



Drum Tipper Type FLEX-K	Category	Price	Freight charges	Price including freight charges
FLEX-K, painted	B	2363,-	123,-	2486,-
Shelf Drum Pallet RP, galvanized	B	145,-	50,-	195,-
FLEX-K, hot-dip galvanized	B	2533,-	123,-	2656,-
Shelf Drum Pallet RP, galvanized	B	145,-	50,-	195,-
Drum Traverse Type FT/M	Category	Price	Freight charges	Price including freight charges
FT/M, galvanized	B	316,-	50,-	366,-
Drum Traverse Type FT/MK	Category	Price	Freight charges	Price including freight charges
FT/MK, galvanized	B	362,-	50,-	412,-
Drum Turner Type FW	Category	Price	Freight charges	Price including freight charges
FW-I, painted	B	1389,-	180,-	1569,-
FW-I, hot-dip galvanized	B	1803,-	180,-	1983,-
FW-II, painted	B	1945,-	180,-	2125,-
FW-II, hot-dip galvanized	B	2533,-	180,-	2713,-
Drum Turning Claw Type FWZ	Category	Price	Freight charges	Price including freight charges
FWZ-60, painted	B	1355,-	123,-	1478,-
FWZ-60, galvanized	B	1335,-	123,-	1458,-
FWZ-200, painted	B	1397,-	123,-	1520,-
FWZ-200, galvanized	B	1376,-	123,-	1499,-
Fork Extensions Type GG	Category	Price	Freight charges	Price including freight charges
GG 80/40 (1600 mm long), painted	A	541,-	123,-	664,-
GG 80/40 (1800 mm long), painted	A	570,-	123,-	693,-
GG 80/40 (2000 mm long), painted	A	601,-	123,-	724,-
GG 100/40 (1600 mm long), painted	A	541,-	123,-	664,-
GG 100/40 (1800 mm long), painted	A	570,-	123,-	693,-
GG 100/40 (2000 mm long), painted	A	601,-	123,-	724,-
GG 100/45 (1600 mm long), painted	A	541,-	123,-	664,-
GG 100/45 (1800 mm long), painted	A	570,-	123,-	693,-
GG 100/45 (2000 mm long), painted	A	601,-	123,-	724,-
GG 100/50 (1600 mm long), painted	A	541,-	123,-	664,-
GG 100/50 (1800 mm long), painted	A	570,-	123,-	693,-
GG 100/50 (2000 mm long), painted	A	601,-	180,-	781,-
GG 120/40 (1600 mm long), painted	A	570,-	123,-	693,-
GG 120/40 (1800 mm long), painted	A	601,-	180,-	781,-
GG 120/40 (2000 mm long), painted	A	645,-	180,-	825,-
GG 120/50 (1600 mm long), painted	A	570,-	123,-	693,-
GG 120/50 (1800 mm long), painted	A	601,-	180,-	781,-
GG 120/50 (2000 mm long), painted	A	645,-	180,-	825,-
GG 125/45 (1600 mm long), painted	A	570,-	123,-	693,-
GG 125/45 (1800 mm long), painted	A	601,-	180,-	781,-
GG 125/45 (2000 mm long), painted	A	645,-	180,-	825,-

Prices in EUR, valid EXW DE-46354 Südlohn, DE-38820 Halberstadt, unpacked
Freight charges valid CPT Slovenia, islands and oversea territories excluded

Price List 0726 en-SI

Forklift Truck Attachments



Fork Extensions Type GG	Category	Price	Freight charges	Price including freight charges
GG 125/50 (1600 mm long), painted	A	570,-	123,-	693,-
GG 125/50 (1800 mm long), painted	A	601,-	180,-	781,-
GG 125/50 (2000 mm long), painted	A	645,-	180,-	825,-
GG 150/50 (1600 mm long), painted	A	634,-	180,-	814,-
GG 150/50 (1800 mm long), painted	A	680,-	180,-	860,-
GG 150/50 (2000 mm long), painted	A	713,-	180,-	893,-
GG 150/70 (1600 mm long), painted	A	634,-	180,-	814,-
GG 150/70 (1800 mm long), painted	A	680,-	180,-	860,-
GG 150/70 (2000 mm long), painted	A	713,-	180,-	893,-

Fork Extensions Type GO	Category	Price	Freight charges	Price including freight charges
GO 80/40 (1600 mm long), painted	A	390,-	123,-	513,-
GO 80/40 (1800 mm long), painted	A	396,-	123,-	519,-
GO 80/40 (2000 mm long), painted	A	411,-	123,-	534,-
GO 100/40 (1600 mm long), painted	A	390,-	123,-	513,-
GO 100/40 (1800 mm long), painted	A	396,-	123,-	519,-
GO 100/40 (2000 mm long), painted	A	411,-	123,-	534,-
GO 100/45 (1600 mm long), painted	A	390,-	123,-	513,-
GO 100/45 (1800 mm long), painted	A	396,-	123,-	519,-
GO 100/45 (2000 mm long), painted	A	411,-	123,-	534,-
GO 100/50 (1600 mm long), painted	A	390,-	123,-	513,-
GO 100/50 (1800 mm long), painted	A	396,-	123,-	519,-
GO 100/50 (2000 mm long), painted	A	411,-	123,-	534,-
GO 120/40 (1600 mm long), painted	A	396,-	123,-	519,-
GO 120/40 (1800 mm long), painted	A	418,-	123,-	541,-
GO 120/40 (2000 mm long), painted	A	435,-	123,-	558,-
GO 120/50 (1600 mm long), painted	A	396,-	123,-	519,-
GO 120/50 (1800 mm long), painted	A	418,-	123,-	541,-
GO 120/50 (2000 mm long), painted	A	435,-	123,-	558,-
GO 125/45 (1600 mm long), painted	A	396,-	123,-	519,-
GO 125/45 (1800 mm long), painted	A	418,-	123,-	541,-
GO 125/45 (2000 mm long), painted	A	435,-	123,-	558,-
GO 125/50 (1600 mm long), painted	A	396,-	123,-	519,-
GO 125/50 (1800 mm long), painted	A	418,-	123,-	541,-
GO 125/50 (2000 mm long), painted	A	435,-	123,-	558,-
GO 150/50 (1600 mm long), painted	A	475,-	123,-	598,-
GO 150/50 (1800 mm long), painted	A	516,-	123,-	639,-
GO 150/50 (2000 mm long), painted	A	555,-	123,-	678,-
GO 150/70 (1600 mm long), painted	A	475,-	123,-	598,-
GO 150/70 (1800 mm long), painted	A	516,-	123,-	639,-
GO 150/70 (2000 mm long), painted	A	555,-	123,-	678,-

Tilting Container Type GU	Category	Price	Freight charges	Price including freight charges
GU 300, painted	A	655,-	180,-	835,-
Lid, galvanized	A	98,-	18,-	116,-

Prices in EUR, valid EXW DE-46354 Südlohn, DE-38820 Halberstadt, unpacked
 Freight charges valid CPT Slovenia, islands and oversea territories excluded

Price List 0726 en-SI

Forklift Truck Attachments



Tilting Container Type GU	Category	Price	Freight charges	Price including freight charges
Castor Set, polyamide, Load capacity 1350 kg / castor set	A	192,-	15,-	207,-
Skip Body Welded Oil and Watertight	A	78,-	0,-	78,-
Crane lifting eyes for use with a crane	A	106,-	8,-	114,-
Support legs, 100 mm ground leeway	A	70,-	8,-	78,-
GU 300, hot-dip galvanized	A	866,-	180,-	1046,-
Lid, galvanized	A	98,-	18,-	116,-
Castor Set, polyamide, Load capacity 1350 kg / castor set	A	192,-	15,-	207,-
Skip Body Welded Oil and Watertight	A	78,-	0,-	78,-
Crane lifting eyes for use with a crane	A	106,-	8,-	114,-
Support legs, 100 mm ground leeway	A	70,-	8,-	78,-
GU 500, painted	A	891,-	180,-	1071,-
Lid, galvanized	A	98,-	18,-	116,-
Castor Set, polyamide, Load capacity 1350 kg / castor set	A	192,-	15,-	207,-
Skip Body Welded Oil and Watertight	A	78,-	0,-	78,-
Adjustable dumping brake	A	464,-	10,-	474,-
Crane lifting eyes for use with a crane	A	106,-	8,-	114,-
Support legs, 100 mm ground leeway	A	70,-	8,-	78,-
GU 500, hot-dip galvanized	A	1160,-	180,-	1340,-
Lid, galvanized	A	98,-	18,-	116,-
Castor Set, polyamide, Load capacity 1350 kg / castor set	A	192,-	15,-	207,-
Skip Body Welded Oil and Watertight	A	78,-	0,-	78,-
Adjustable dumping brake	A	464,-	10,-	474,-
Crane lifting eyes for use with a crane	A	106,-	8,-	114,-
Support legs, 100 mm ground leeway	A	70,-	8,-	78,-
GU 750, painted	A	1052,-	180,-	1232,-
Lid, galvanized	A	139,-	26,-	165,-
Castor Set, polyamide, Load capacity 1350 kg / castor set	A	192,-	15,-	207,-
Skip Body Welded Oil and Watertight	A	78,-	0,-	78,-
Adjustable dumping brake	A	464,-	10,-	474,-
Crane lifting eyes for use with a crane	A	106,-	8,-	114,-
Support legs, 100 mm ground leeway	A	70,-	8,-	78,-
GU 750, hot-dip galvanized	A	1371,-	180,-	1551,-
Lid, galvanized	A	139,-	26,-	165,-
Castor Set, polyamide, Load capacity 1350 kg / castor set	A	192,-	15,-	207,-
Skip Body Welded Oil and Watertight	A	78,-	0,-	78,-
Adjustable dumping brake	A	464,-	10,-	474,-
Crane lifting eyes for use with a crane	A	106,-	8,-	114,-
Support legs, 100 mm ground leeway	A	70,-	8,-	78,-
GU 1000, painted	A	1163,-	180,-	1343,-
Lid, galvanized	A	192,-	27,-	219,-
Castor Set, polyamide, Load capacity 1350 kg / castor set	A	192,-	15,-	207,-
Skip Body Welded Oil and Watertight	A	121,-	0,-	121,-
Adjustable dumping brake	A	464,-	10,-	474,-
Crane lifting eyes for use with a crane	A	106,-	8,-	114,-
Support legs, 100 mm ground leeway	A	70,-	8,-	78,-
GU 1000, hot-dip galvanized	A	1647,-	261,-	1908,-

Prices in EUR, valid EXW DE-46354 Südlohn, DE-38820 Halberstadt, unpacked
Freight charges valid CPT Slovenia, islands and oversea territories excluded

Price List 0726 en-SI

Forklift Truck Attachments



Tilting Container Type GU	Category	Price	Freight charges	Price including freight charges
Lid, galvanized	A	192,-	27,-	219,-
Castor Set, polyamide, Load capacity 1350 kg / castor set	A	192,-	15,-	207,-
Skip Body Welded Oil and Watertight	A	121,-	0,-	121,-
Adjustable dumping brake	A	464,-	10,-	474,-
Crane lifting eyes for use with a crane	A	106,-	8,-	114,-
Support legs, 100 mm ground leeway	A	70,-	8,-	78,-
GU 1500, painted	A	1357,-	261,-	1618,-
Lid, galvanized	A	192,-	27,-	219,-
Castor Set, polyamide, Load capacity 1350 kg / castor set	A	192,-	15,-	207,-
Skip Body Welded Oil and Watertight	A	121,-	0,-	121,-
Adjustable dumping brake	A	464,-	10,-	474,-
Crane lifting eyes for use with a crane	A	106,-	8,-	114,-
Support legs, 100 mm ground leeway	A	70,-	8,-	78,-
GU 1500, hot-dip galvanized	A	1769,-	261,-	2030,-
Lid, galvanized	A	192,-	27,-	219,-
Castor Set, polyamide, Load capacity 1350 kg / castor set	A	192,-	15,-	207,-
Skip Body Welded Oil and Watertight	A	121,-	0,-	121,-
Adjustable dumping brake	A	464,-	10,-	474,-
Crane lifting eyes for use with a crane	A	106,-	8,-	114,-
Support legs, 100 mm ground leeway	A	70,-	8,-	78,-
GU 2000, painted	A	1675,-	261,-	1936,-
Lid, galvanized	A	226,-	32,-	258,-
Castor Set, polyamide, Load capacity 1350 kg / castor set	A	192,-	15,-	207,-
Skip Body Welded Oil and Watertight	A	121,-	0,-	121,-
Adjustable dumping brake	A	464,-	10,-	474,-
Crane lifting eyes for use with a crane	A	106,-	8,-	114,-
Support legs, 100 mm ground leeway	A	70,-	8,-	78,-
GU 2000, hot-dip galvanized	A	2200,-	261,-	2461,-
Lid, galvanized	A	226,-	32,-	258,-
Castor Set, polyamide, Load capacity 1350 kg / castor set	A	192,-	15,-	207,-
Skip Body Welded Oil and Watertight	A	121,-	0,-	121,-
Adjustable dumping brake	A	464,-	10,-	474,-
Crane lifting eyes for use with a crane	A	106,-	8,-	114,-
Support legs, 100 mm ground leeway	A	70,-	8,-	78,-
Swarf Tilting Container Type GU-E	Category	Price	Freight charges	Price including freight charges
GU-E 300, painted	A	775,-	180,-	955,-
Lid, galvanized	A	98,-	18,-	116,-
Castor Set, polyamide, Load capacity 1350 kg / castor set	A	192,-	15,-	207,-
Crane lifting eyes for use with a crane	A	106,-	8,-	114,-
Support legs, 100 mm ground leeway	A	70,-	8,-	78,-
GU-E 300, hot-dip galvanized	A	986,-	180,-	1166,-
Lid, galvanized	A	98,-	18,-	116,-
Castor Set, polyamide, Load capacity 1350 kg / castor set	A	192,-	15,-	207,-
Crane lifting eyes for use with a crane	A	106,-	8,-	114,-
Support legs, 100 mm ground leeway	A	70,-	8,-	78,-

Prices in EUR, valid EXW DE-46354 Südlohn, DE-38820 Halberstadt, unpacked
Freight charges valid CPT Slovenia, islands and oversea territories excluded

Price List 0726 en-SI

Forklift Truck Attachments



Swarf Tilting Container Type GU-E	Category	Price	Freight charges	Price including freight charges
GU-E 500, painted	A	1012,-	180,-	1192,-
Lid, galvanized	A	98,-	18,-	116,-
Castor Set, polyamide, Load capacity 1350 kg / castor set	A	192,-	15,-	207,-
Adjustable dumping brake	A	464,-	10,-	474,-
Crane lifting eyes for use with a crane	A	106,-	8,-	114,-
Support legs, 100 mm ground leeway	A	70,-	8,-	78,-
GU-E 500, hot-dip galvanized	A	1280,-	180,-	1460,-
Lid, galvanized	A	98,-	18,-	116,-
Castor Set, polyamide, Load capacity 1350 kg / castor set	A	192,-	15,-	207,-
Adjustable dumping brake	A	464,-	10,-	474,-
Crane lifting eyes for use with a crane	A	106,-	8,-	114,-
Support legs, 100 mm ground leeway	A	70,-	8,-	78,-
GU-E 750, painted	A	1172,-	180,-	1352,-
Lid, galvanized	A	139,-	26,-	165,-
Castor Set, polyamide, Load capacity 1350 kg / castor set	A	192,-	15,-	207,-
Adjustable dumping brake	A	464,-	10,-	474,-
Crane lifting eyes for use with a crane	A	106,-	8,-	114,-
Support legs, 100 mm ground leeway	A	70,-	8,-	78,-
GU-E 750, hot-dip galvanized	A	1491,-	180,-	1671,-
Lid, galvanized	A	139,-	26,-	165,-
Castor Set, polyamide, Load capacity 1350 kg / castor set	A	192,-	15,-	207,-
Adjustable dumping brake	A	464,-	10,-	474,-
Crane lifting eyes for use with a crane	A	106,-	8,-	114,-
Support legs, 100 mm ground leeway	A	70,-	8,-	78,-
GU-E 1000, painted	A	1325,-	180,-	1505,-
Lid, galvanized	A	192,-	27,-	219,-
Castor Set, polyamide, Load capacity 1350 kg / castor set	A	192,-	15,-	207,-
Adjustable dumping brake	A	464,-	10,-	474,-
Crane lifting eyes for use with a crane	A	106,-	8,-	114,-
Support legs, 100 mm ground leeway	A	70,-	8,-	78,-
GU-E 1000, hot-dip galvanized	A	1810,-	261,-	2071,-
Lid, galvanized	A	192,-	27,-	219,-
Castor Set, polyamide, Load capacity 1350 kg / castor set	A	192,-	15,-	207,-
Adjustable dumping brake	A	464,-	10,-	474,-
Crane lifting eyes for use with a crane	A	106,-	8,-	114,-
Support legs, 100 mm ground leeway	A	70,-	8,-	78,-
GU-E 1500, painted	A	1520,-	261,-	1781,-
Lid, galvanized	A	192,-	27,-	219,-
Castor Set, polyamide, Load capacity 1350 kg / castor set	A	192,-	15,-	207,-
Adjustable dumping brake	A	464,-	10,-	474,-
Crane lifting eyes for use with a crane	A	106,-	8,-	114,-
Support legs, 100 mm ground leeway	A	70,-	8,-	78,-
GU-E 1500, hot-dip galvanized	A	1932,-	261,-	2193,-
Lid, galvanized	A	192,-	27,-	219,-
Castor Set, polyamide, Load capacity 1350 kg / castor set	A	192,-	15,-	207,-
Adjustable dumping brake	A	464,-	10,-	474,-

Prices in EUR, valid EXW DE-46354 Südlohn, DE-38820 Halberstadt, unpacked
Freight charges valid CPT Slovenia, islands and oversea territories excluded

Price List 0726 en-SI

Forklift Truck Attachments



Swarf Tilting Container Type GU-E	Category	Price	Freight charges	Price including freight charges
Crane lifting eyes for use with a crane	A	106,-	8,-	114,-
Support legs, 100 mm ground leeway	A	70,-	8,-	78,-
GU-E 2000, painted	A	1838,-	261,-	2099,-
Lid, galvanized	A	226,-	32,-	258,-
Castor Set, polyamide, Load capacity 1350 kg / castor set	A	192,-	15,-	207,-
Adjustable dumping brake	A	464,-	10,-	474,-
Crane lifting eyes for use with a crane	A	106,-	8,-	114,-
Support legs, 100 mm ground leeway	A	70,-	8,-	78,-
GU-E 2000, hot-dip galvanized	A	2362,-	261,-	2623,-
Lid, galvanized	A	226,-	32,-	258,-
Castor Set, polyamide, Load capacity 1350 kg / castor set	A	192,-	15,-	207,-
Adjustable dumping brake	A	464,-	10,-	474,-
Crane lifting eyes for use with a crane	A	106,-	8,-	114,-
Support legs, 100 mm ground leeway	A	70,-	8,-	78,-
Tilting Container Type GU-RZ	Category	Price	Freight charges	Price including freight charges
GU-RZ 30, painted	A	699,-	180,-	879,-
Lid, galvanized	A	95,-	18,-	113,-
GU-RZ 30, hot-dip galvanized	A	779,-	180,-	959,-
Lid, galvanized	A	95,-	18,-	113,-
GU-RZ 55, painted	A	931,-	180,-	1111,-
Lid, galvanized	A	95,-	18,-	113,-
GU-RZ 55, hot-dip galvanized	A	1026,-	180,-	1206,-
Lid, galvanized	A	95,-	18,-	113,-
Fork Protection Type GZS	Category	Price	Freight charges	Price including freight charges
GZS, painted	F	179,-	50,-	229,-
Container With Drop Away Base Type HKB	Category	Price	Freight charges	Price including freight charges
HKB 60, painted	A	1078,-	180,-	1258,-
HKB 70, painted	A	1140,-	180,-	1320,-
HKB 90, painted	A	1417,-	180,-	1597,-
Shovel Type HVR	Category	Price	Freight charges	Price including freight charges
HVR 50, painted	A	3393,-	261,-	3654,-
HVR 75, painted	A	3976,-	333,-	4309,-
HVR 80 L, painted	A	4095,-	333,-	4428,-
HVR 100, painted	A	5033,-	455,-	5488,-
HVR 150, painted	A	6432,-	455,-	6887,-
Kippomat Type KG-A	Category	Price	Freight charges	Price including freight charges
KG-A, hot-dip galvanized	A	3218,-	261,-	3479,-
Kippomat Type KG-B	Category	Price	Freight charges	Price including freight charges
KG-B, hot-dip galvanized	A	3137,-	261,-	3398,-

Prices in EUR, valid EXW DE-46354 Südlohn, DE-38820 Halberstadt, unpacked
Freight charges valid CPT Slovenia, islands and oversea territories excluded

Price List 0726 en-SI

Forklift Truck Attachments



Kippomat Type KG-C	Category	Price	Freight charges	Price including freight charges
KG-C, hot-dip galvanized	A	2081,-	180,-	2261,-
Tipping Skip Type KK	Category	Price	Freight charges	Price including freight charges
KK 250, painted	E	484,-	123,-	607,-
Lid, galvanized	E	136,-	15,-	151,-
Castor Set, polyamide, Load capacity 1050 kg / castor set	A	136,-	15,-	151,-
Castor Set, solid rubber, Load capacity 615 kg / castor set	E	103,-	15,-	118,-
KK 250, hot-dip galvanized	E	534,-	123,-	657,-
Lid, galvanized	E	136,-	15,-	151,-
Castor Set, polyamide, Load capacity 1050 kg / castor set	A	136,-	15,-	151,-
Castor Set, solid rubber, Load capacity 615 kg / castor set	E	103,-	15,-	118,-
KK 400, painted	E	551,-	123,-	674,-
Lid, galvanized	E	156,-	16,-	172,-
Castor Set, polyamide, Load capacity 1050 kg / castor set	A	136,-	15,-	151,-
Castor Set, solid rubber, Load capacity 615 kg / castor set	E	103,-	15,-	118,-
KK 400, hot-dip galvanized	E	600,-	123,-	723,-
Lid, galvanized	E	156,-	16,-	172,-
Castor Set, polyamide, Load capacity 1050 kg / castor set	A	136,-	15,-	151,-
Castor Set, solid rubber, Load capacity 615 kg / castor set	E	103,-	15,-	118,-
KK 600, painted	E	764,-	180,-	944,-
Lid, galvanized	E	173,-	20,-	193,-
Castor Set, polyamide, Load capacity 1050 kg / castor set	A	136,-	15,-	151,-
Castor Set, solid rubber, Load capacity 615 kg / castor set	E	103,-	15,-	118,-
KK 600, hot-dip galvanized	E	865,-	180,-	1045,-
Castor Set, solid rubber, Load capacity 615 kg / castor set	E	103,-	15,-	118,-
Lid, galvanized	E	173,-	20,-	193,-
Castor Set, polyamide, Load capacity 1050 kg / castor set	A	136,-	15,-	151,-
KK 800, painted	E	823,-	180,-	1003,-
Lid, galvanized	E	181,-	21,-	202,-
Castor Set, polyamide, Load capacity 1050 kg / castor set	A	136,-	15,-	151,-
Castor Set, solid rubber, Load capacity 615 kg / castor set	E	103,-	15,-	118,-
KK 800, hot-dip galvanized	E	930,-	180,-	1110,-
Lid, galvanized	E	181,-	21,-	202,-
Castor Set, polyamide, Load capacity 1050 kg / castor set	A	136,-	15,-	151,-
Castor Set, solid rubber, Load capacity 615 kg / castor set	E	103,-	15,-	118,-
KK 1000, painted	E	881,-	180,-	1061,-
Lid, galvanized	E	193,-	22,-	215,-
Castor Set, polyamide, Load capacity 1050 kg / castor set	A	136,-	15,-	151,-
Castor Set, solid rubber, Load capacity 615 kg / castor set	E	103,-	15,-	118,-
KK 1000, hot-dip galvanized	E	1014,-	180,-	1194,-
Lid, galvanized	E	193,-	22,-	215,-
Castor Set, polyamide, Load capacity 1050 kg / castor set	A	136,-	15,-	151,-
Castor Set, solid rubber, Load capacity 615 kg / castor set	E	103,-	15,-	118,-

Prices in EUR, valid EXW DE-46354 Südlohn, DE-38820 Halberstadt, unpacked
Freight charges valid CPT Slovenia, islands and oversea territories excluded

Price List 0726 en-SI

Forklift Truck Attachments



Kippomat Type KM	Category	Price	Freight charges	Price including freight charges
KM, hot-dip galvanized	A	3218,-	180,-	3398,-

Tipping Skip Type KN	Category	Price	Freight charges	Price including freight charges
KN 250, painted	E	484,-	123,-	607,-
Lid, galvanized	E	136,-	15,-	151,-
Castor Set, polyamide, Load capacity 1050 kg / castor set	A	136,-	15,-	151,-
Castor Set, solid rubber, Load capacity 615 kg / castor set	E	103,-	15,-	118,-
KN 250, hot-dip galvanized	E	534,-	123,-	657,-
Lid, galvanized	E	136,-	15,-	151,-
Castor Set, polyamide, Load capacity 1050 kg / castor set	A	136,-	15,-	151,-
Castor Set, solid rubber, Load capacity 615 kg / castor set	E	103,-	15,-	118,-
KN 400, painted	E	551,-	123,-	674,-
Lid, galvanized	E	156,-	16,-	172,-
Castor Set, polyamide, Load capacity 1050 kg / castor set	A	136,-	15,-	151,-
Castor Set, solid rubber, Load capacity 615 kg / castor set	E	103,-	15,-	118,-
KN 400, hot-dip galvanized	E	600,-	123,-	723,-
Lid, galvanized	E	156,-	16,-	172,-
Castor Set, polyamide, Load capacity 1050 kg / castor set	A	136,-	15,-	151,-
Castor Set, solid rubber, Load capacity 615 kg / castor set	E	103,-	15,-	118,-

Tipping Skip Type KS	Category	Price	Freight charges	Price including freight charges
KS 400, painted	E	900,-	180,-	1080,-
KS 550, painted	E	964,-	180,-	1144,-
KS 700, painted	E	1024,-	180,-	1204,-

Extensible Crane Arm Type KT	Category	Price	Freight charges	Price including freight charges
KT 2,5, painted	A	1448,-	180,-	1628,-
KT 2,5, hot-dip galvanized	A	1763,-	261,-	2024,-
KT 5,0, painted	A	1798,-	261,-	2059,-
KT 5,0, hot-dip galvanized	A	2242,-	261,-	2503,-

Extensible Crane Arm Type KTH	Category	Price	Freight charges	Price including freight charges
KTH 2,5, painted	A	1748,-	261,-	2009,-
KTH 2,5, hot-dip galvanized	A	2068,-	261,-	2329,-
KTH 5,0, painted	A	2012,-	261,-	2273,-
KTH 5,0, hot-dip galvanized	A	2373,-	261,-	2634,-

Extensible Crane Arm Type KTH-K	Category	Price	Freight charges	Price including freight charges
KTH-K 2,5, painted	A	1606,-	180,-	1786,-
KTH-K 2,5, hot-dip galvanized	A	1943,-	180,-	2123,-
KTH-K 5,0, painted	A	1852,-	180,-	2032,-
KTH-K 5,0, hot-dip galvanized	A	2232,-	261,-	2493,-

Extensible Crane Arm Type KT-K	Category	Price	Freight charges	Price including freight charges
KT-K 2,5, painted	A	1291,-	180,-	1471,-

Prices in EUR, valid EXW DE-46354 Südlohn, DE-38820 Halberstadt, unpacked
Freight charges valid CPT Slovenia, islands and oversea territories excluded

Price List 0726 en-SI

Forklift Truck Attachments



Extensible Crane Arm Type KT-K	Category	Price	Freight charges	Price including freight charges
KT-K 2,5, hot-dip galvanized	A	1622,-	180,-	1802,-
KT-K 5,0, painted	A	1625,-	180,-	1805,-
KT-K 5,0, hot-dip galvanized	A	2092,-	180,-	2272,-

Barrow Tipper Type KW-ET	Category	Price	Freight charges	Price including freight charges
KW-ET 250, painted	E	588,-	123,-	711,-
Lid, galvanized	E	136,-	15,-	151,-
KW-ET 250, hot-dip galvanized	E	900,-	123,-	1023,-
Lid, galvanized	E	136,-	15,-	151,-
KW-ET 400, painted	E	648,-	123,-	771,-
Lid, galvanized	E	156,-	16,-	172,-
KW-ET 400, hot-dip galvanized	E	998,-	123,-	1121,-
Lid, galvanized	E	156,-	16,-	172,-
KW-ET 600, painted	E	808,-	180,-	988,-
Lid, galvanized	E	173,-	20,-	193,-
KW-ET 600, hot-dip galvanized	E	1166,-	180,-	1346,-
Lid, galvanized	E	173,-	20,-	193,-
KW-ET 1000, painted	E	997,-	180,-	1177,-
Lid, galvanized	E	193,-	22,-	215,-
KW-ET 1000, hot-dip galvanized	E	1591,-	180,-	1771,-
Lid, galvanized	E	193,-	22,-	215,-

Loading Arm Type LA	Category	Price	Freight charges	Price including freight charges
LA 1600-1,0, painted	A	542,-	123,-	665,-
LA 1600-1,0, hot-dip galvanized	A	581,-	123,-	704,-
LA 1600-2,5, painted	A	786,-	123,-	909,-
LA 1600-2,5, hot-dip galvanized	A	927,-	123,-	1050,-
LA 1600-5,0, painted	A	1133,-	180,-	1313,-
LA 1600-5,0, hot-dip galvanized	A	1325,-	180,-	1505,-
LA 2400-1,0, painted	A	569,-	123,-	692,-
LA 2400-1,0, hot-dip galvanized	A	632,-	123,-	755,-
LA 2400-2,5, painted	A	877,-	180,-	1057,-
LA 2400-2,5, hot-dip galvanized	A	1017,-	180,-	1197,-
LA 2400-5,0, painted	A	1250,-	180,-	1430,-
LA 2400-5,0, hot-dip galvanized	A	1480,-	180,-	1660,-
LA 25-1,0, painted	A	632,-	123,-	755,-
LA 25-1,0, hot-dip galvanized	A	683,-	123,-	806,-

Loading Arm Type LAT	Category	Price	Freight charges	Price including freight charges
LAT 25-1,0, painted	A	766,-	123,-	889,-
LAT 25-1,0, hot-dip galvanized	A	838,-	123,-	961,-

Scissor Gripper Type LG	Category	Price	Freight charges	Price including freight charges
LG 60, painted	B	245,-	50,-	295,-
LG 60, galvanized	B	223,-	50,-	273,-

Prices in EUR, valid EXW DE-46354 Südlohn, DE-38820 Halberstadt, unpacked
 Freight charges valid CPT Slovenia, islands and oversea territories excluded

Price List 0726 en-SI

Forklift Truck Attachments



Scissor Gripper Type LG	Category	Price	Freight charges	Price including freight charges
LG 200, painted	B	245,-	50,-	295,-
LG 200, galvanized	B	223,-	50,-	273,-
Container for Long Material Type LGK	Category	Price	Freight charges	Price including freight charges
LGK, painted	A	1376,-	180,-	1556,-
Castor Set, polyamide, Load capacity 1350 kg / castor set	A	192,-	15,-	207,-
LGK, hot-dip galvanized	A	1676,-	180,-	1856,-
Castor Set, polyamide, Load capacity 1350 kg / castor set	A	192,-	15,-	207,-
Long Material Carrier Type LGT	Category	Price	Freight charges	Price including freight charges
LGT 1,5, painted	A	1929,-	261,-	2190,-
LGT 1,5, hot-dip galvanized	A	2263,-	261,-	2524,-
LGT 2,5, painted	A	2164,-	on request	on request
LGT 2,5, hot-dip galvanized	A	2590,-	on request	on request
LGT 3,5, painted	A	2989,-	on request	on request
LGT 3,5, hot-dip galvanized	A	3670,-	on request	on request
LGT 4,5, painted	A	3302,-	on request	on request
LGT 4,5, hot-dip galvanized	A	4071,-	on request	on request
Drum Claw Type LGZ	Category	Price	Freight charges	Price including freight charges
LGZ 60, painted	B	225,-	50,-	275,-
LGZ 60, galvanized	B	211,-	50,-	261,-
LGZ 200, painted	B	225,-	50,-	275,-
LGZ 200, galvanized	B	211,-	50,-	261,-
Crane Hook Type LH	Category	Price	Freight charges	Price including freight charges
LH-I 1,0, painted	A	199,-	50,-	249,-
LH-I 1,0, hot-dip galvanized	A	223,-	50,-	273,-
LH-I 1,5, painted	A	218,-	50,-	268,-
LH-I 1,5, hot-dip galvanized	A	242,-	50,-	292,-
LH-I 2,0, painted	A	229,-	50,-	279,-
LH-I 2,0, hot-dip galvanized	A	254,-	50,-	304,-
LH-I 2,5, painted	A	255,-	50,-	305,-
LH-I 2,5, hot-dip galvanized	A	279,-	50,-	329,-
LH-I 3,0, painted	A	331,-	50,-	381,-
LH-I 3,0, hot-dip galvanized	A	356,-	50,-	406,-
LH-II 1,5, painted	A	329,-	50,-	379,-
LH-II 1,5, hot-dip galvanized	A	378,-	50,-	428,-
LH-II 2,5, painted	A	434,-	50,-	484,-
LH-II 2,5, hot-dip galvanized	A	516,-	50,-	566,-
LH-II 5,0, painted	A	720,-	123,-	843,-
LH-II 5,0, hot-dip galvanized	A	808,-	123,-	931,-
LH-II 7,5, painted	A	856,-	123,-	979,-
LH-II 7,5, hot-dip galvanized	A	949,-	123,-	1072,-

Prices in EUR, valid EXW DE-46354 Südlohn, DE-38820 Halberstadt, unpacked
Freight charges valid CPT Slovenia, islands and oversea territories excluded

Price List 0726 en-SI

Forklift Truck Attachments



Long Load Handler Type LSL	Category	Price	Freight charges	Price including freight charges
LSL, painted	A	1141,-	180,-	1321,-
LSL, hot-dip galvanized	A	1310,-	180,-	1490,-
Long Material Sidecar Type LSW	Category	Price	Freight charges	Price including freight charges
LSW 1,3, painted	A	953,-	123,-	1076,-
LSW 1,3, hot-dip galvanized	A	1017,-	180,-	1197,-
LSW 2,5, painted	A	1132,-	123,-	1255,-
LSW 2,5, hot-dip galvanized	A	1197,-	180,-	1377,-
Access Safety Platform Type MB-B	Category	Price	Freight charges	Price including freight charges
MB-B, painted	A	1085,-	180,-	1265,-
Castor Set, polyamide, Load capacity 1050 kg / castor set	A	136,-	15,-	151,-
Access Safety Platform Type MB-B/L	Category	Price	Freight charges	Price including freight charges
MB-B/L, painted	A	1274,-	180,-	1454,-
Castor Set, polyamide, Load capacity 1050 kg / castor set	A	136,-	15,-	151,-
Access Safety Platform Type MB-D	Category	Price	Freight charges	Price including freight charges
MB-D, painted	A	908,-	180,-	1088,-
Castor Set, polyamide, Load capacity 1050 kg / castor set	A	136,-	15,-	151,-
Access Safety Platform Type MB-D/L	Category	Price	Freight charges	Price including freight charges
MB-D/L, painted	A	1096,-	180,-	1276,-
Castor Set, polyamide, Load capacity 1050 kg / castor set	A	136,-	15,-	151,-
Access Safety Platform Type MB-F	Category	Price	Freight charges	Price including freight charges
MB-F, painted	A	1074,-	180,-	1254,-
Castor Set, polyamide, Load capacity 1050 kg / castor set	A	136,-	15,-	151,-
Access Safety Platform Type MB-II	Category	Price	Freight charges	Price including freight charges
MB-II, painted	A	994,-	180,-	1174,-
Castor Set, polyamide, Load capacity 1050 kg / castor set	A	136,-	15,-	151,-
MB-II, hot-dip galvanized	A	1171,-	180,-	1351,-
Castor Set, polyamide, Load capacity 1050 kg / castor set	A	136,-	15,-	151,-
Access Safety Platform Type MB-K-IV	Category	Price	Freight charges	Price including freight charges
MB-K-IV, painted	A	2012,-	233,-	2245,-
Access Safety Platform Type MB-ST	Category	Price	Freight charges	Price including freight charges
MB-ST, painted	A	2576,-	180,-	2756,-
Castor Set, polyamide, Load capacity 1050 kg / castor set	A	136,-	15,-	151,-
Access Safety Platform Type MB-ST/L	Category	Price	Freight charges	Price including freight charges
MB-ST/L, painted	A	2764,-	180,-	2944,-

Prices in EUR, valid EXW DE-46354 Südlohn, DE-38820 Halberstadt, unpacked
Freight charges valid CPT Slovenia, islands and oversea territories excluded

Price List 0726 en-SI

Forklift Truck Attachments



Access Safety Platform Type MB-ST/L	Category	Price	Freight charges	Price including freight charges
Castor Set, polyamide, Load capacity 1050 kg / castor set	A	136,-	15,-	151,-
Access Safety Platform Type MB-ST/T	Category	Price	Freight charges	Price including freight charges
MB-ST/T, painted	A	2903,-	180,-	3083,-
Castor Set, polyamide, Load capacity 1050 kg / castor set	A	136,-	15,-	151,-
Access Safety Platform Type MB-ST/T/L	Category	Price	Freight charges	Price including freight charges
MB-ST/T/L, painted	A	3092,-	180,-	3272,-
Castor Set, polyamide, Load capacity 1050 kg / castor set	A	136,-	15,-	151,-
Mini Tilting Container Type MGU	Category	Price	Freight charges	Price including freight charges
MGU 230, painted	A	569,-	123,-	692,-
Lid, galvanized	A	131,-	18,-	149,-
Castor Set, polyamide, Load capacity 1050 kg / castor set	A	156,-	15,-	171,-
Skip Body Welded Oil and Watertight	A	78,-	0,-	78,-
MGU 230, hot-dip galvanized	A	655,-	180,-	835,-
Lid, galvanized	A	131,-	18,-	149,-
Castor Set, polyamide, Load capacity 1050 kg / castor set	A	156,-	15,-	171,-
Skip Body Welded Oil and Watertight	A	78,-	0,-	78,-
MGU 270, painted	A	621,-	180,-	801,-
Lid, galvanized	A	131,-	18,-	149,-
Castor Set, polyamide, Load capacity 1050 kg / castor set	A	156,-	15,-	171,-
Skip Body Welded Oil and Watertight	A	78,-	0,-	78,-
MGU 270, hot-dip galvanized	A	729,-	180,-	909,-
Lid, galvanized	A	131,-	18,-	149,-
Castor Set, polyamide, Load capacity 1050 kg / castor set	A	156,-	15,-	171,-
Skip Body Welded Oil and Watertight	A	78,-	0,-	78,-
MGU 460, painted	A	815,-	180,-	995,-
Lid, galvanized	A	169,-	22,-	191,-
Castor Set, polyamide, Load capacity 1050 kg / castor set	A	156,-	15,-	171,-
Skip Body Welded Oil and Watertight	A	78,-	0,-	78,-
MGU 460, hot-dip galvanized	A	967,-	180,-	1147,-
Lid, galvanized	A	169,-	22,-	191,-
Castor Set, polyamide, Load capacity 1050 kg / castor set	A	156,-	15,-	171,-
Skip Body Welded Oil and Watertight	A	78,-	0,-	78,-
MGU 610, painted	A	919,-	180,-	1099,-
Lid, galvanized	A	181,-	26,-	207,-
Castor Set, polyamide, Load capacity 1050 kg / castor set	A	156,-	15,-	171,-
Skip Body Welded Oil and Watertight	A	78,-	0,-	78,-
MGU 610, hot-dip galvanized	A	1089,-	180,-	1269,-
Lid, galvanized	A	181,-	26,-	207,-
Castor Set, polyamide, Load capacity 1050 kg / castor set	A	156,-	15,-	171,-
Skip Body Welded Oil and Watertight	A	78,-	0,-	78,-

Prices in EUR, valid EXW DE-46354 Südlohn, DE-38820 Halberstadt, unpacked
Freight charges valid CPT Slovenia, islands and oversea territories excluded

Price List 0726 en-SI

Forklift Truck Attachments



Wheelie Bin Jack Type MH	Category	Price	Freight charges	Price including freight charges
MH-I, painted	A	657,-	123,-	780,-
MH-II, painted	A	725,-	123,-	848,-
MH-III, painted	A	784,-	123,-	907,-
Wheelie Bin Tipper Type MK	Category	Price	Freight charges	Price including freight charges
MK 120, painted	A	1273,-	123,-	1396,-
MK 240, painted	A	1273,-	123,-	1396,-
Wheelie Bin Tipper Type MK-H	Category	Price	Freight charges	Price including freight charges
MK-H 120, painted	A	1902,-	123,-	2025,-
MK-H 240, painted	A	1902,-	180,-	2082,-
Mini Container With Drop Away Base Type MSB	Category	Price	Freight charges	Price including freight charges
MSB 150, painted	A	636,-	123,-	759,-
Castor Set, polyamide, Load capacity 1050 kg / castor set	A	156,-	15,-	171,-
Guiding Plates, galvanized	A	73,-	12,-	85,-
MSB 150, hot-dip galvanized	A	746,-	123,-	869,-
Castor Set, polyamide, Load capacity 1050 kg / castor set	A	156,-	15,-	171,-
Guiding Plates, galvanized	A	73,-	12,-	85,-
MSB 250, painted	A	690,-	123,-	813,-
Castor Set, polyamide, Load capacity 1050 kg / castor set	A	156,-	15,-	171,-
Guiding Plates, galvanized	A	73,-	12,-	85,-
MSB 250, hot-dip galvanized	A	826,-	123,-	949,-
Castor Set, polyamide, Load capacity 1050 kg / castor set	A	156,-	15,-	171,-
Guiding Plates, galvanized	A	73,-	12,-	85,-
MSB 400, painted	A	850,-	123,-	973,-
Castor Set, polyamide, Load capacity 1050 kg / castor set	A	156,-	15,-	171,-
Guiding Plates, galvanized	A	73,-	12,-	85,-
MSB 400, hot-dip galvanized	A	1018,-	180,-	1198,-
Castor Set, polyamide, Load capacity 1050 kg / castor set	A	156,-	15,-	171,-
Guiding Plates, galvanized	A	73,-	12,-	85,-
Tilting Container Type NK	Category	Price	Freight charges	Price including freight charges
NK 30, painted	A	700,-	180,-	880,-
Lid, galvanized	A	98,-	15,-	113,-
Castor Set, polyamide, Load capacity 1350 kg / castor set	A	192,-	15,-	207,-
Skip Body Welded Oil and Watertight	A	78,-	0,-	78,-
NK 30, hot-dip galvanized	A	984,-	180,-	1164,-
Lid, galvanized	A	98,-	15,-	113,-
Castor Set, polyamide, Load capacity 1350 kg / castor set	A	192,-	15,-	207,-
Skip Body Welded Oil and Watertight	A	78,-	0,-	78,-
NK 50, painted	A	984,-	180,-	1164,-
Lid, galvanized	A	98,-	18,-	116,-
Castor Set, polyamide, Load capacity 1350 kg / castor set	A	192,-	15,-	207,-
Skip Body Welded Oil and Watertight	A	78,-	0,-	78,-

Prices in EUR, valid EXW DE-46354 Südlohn, DE-38820 Halberstadt, unpacked
Freight charges valid CPT Slovenia, islands and oversea territories excluded

Price List 0726 en-SI

Forklift Truck Attachments



Tilting Container Type NK	Category	Price	Freight charges	Price including freight charges
NK 50, hot-dip galvanized	A	1327,-	180,-	1507,-
Lid, galvanized	A	98,-	18,-	116,-
Castor Set, polyamide, Load capacity 1350 kg / castor set	A	192,-	15,-	207,-
Skip Body Welded Oil and Watertight	A	78,-	0,-	78,-
NK 75, painted	A	1115,-	261,-	1376,-
Lid, galvanized	A	142,-	22,-	164,-
Castor Set, polyamide, Load capacity 1350 kg / castor set	A	192,-	15,-	207,-
Skip Body Welded Oil and Watertight	A	78,-	0,-	78,-
NK 75, hot-dip galvanized	A	1743,-	261,-	2004,-
Lid, galvanized	A	142,-	22,-	164,-
Castor Set, polyamide, Load capacity 1350 kg / castor set	A	192,-	15,-	207,-
Skip Body Welded Oil and Watertight	A	78,-	0,-	78,-
NK 100, painted	A	1508,-	261,-	1769,-
Lid, galvanized	A	173,-	27,-	200,-
Castor Set, polyamide, Load capacity 1350 kg / castor set	A	192,-	15,-	207,-
Skip Body Welded Oil and Watertight	A	121,-	0,-	121,-
NK 100, hot-dip galvanized	A	2070,-	261,-	2331,-
Lid, galvanized	A	173,-	27,-	200,-
Castor Set, polyamide, Load capacity 1350 kg / castor set	A	192,-	15,-	207,-
Skip Body Welded Oil and Watertight	A	121,-	0,-	121,-
Cylindrical Container Type RB	Category	Price	Freight charges	Price including freight charges
RB 300, painted	A	679,-	123,-	802,-
Lid, aluminium	A	160,-	14,-	174,-
Castor Set, polyamide, Load capacity 1050 kg / castor set	A	156,-	15,-	171,-
RB 450, painted	A	793,-	123,-	916,-
Lid, aluminium	A	160,-	14,-	174,-
Castor Set, polyamide, Load capacity 1050 kg / castor set	A	156,-	15,-	171,-
Tilting Container Type RD	Category	Price	Freight charges	Price including freight charges
RD 750, painted	A	1202,-	261,-	1463,-
Castor Set, polyamide, Load capacity 1350 kg / castor set	A	192,-	15,-	207,-
Skip Body Welded Oil and Watertight	A	78,-	0,-	78,-
RD 750, hot-dip galvanized	A	1602,-	261,-	1863,-
Castor Set, polyamide, Load capacity 1350 kg / castor set	A	192,-	15,-	207,-
Skip Body Welded Oil and Watertight	A	78,-	0,-	78,-
RD 1000, painted	A	1449,-	261,-	1710,-
Castor Set, polyamide, Load capacity 1350 kg / castor set	A	192,-	15,-	207,-
Skip Body Welded Oil and Watertight	A	121,-	0,-	121,-
RD 1000, hot-dip galvanized	A	1933,-	261,-	2194,-
Castor Set, polyamide, Load capacity 1350 kg / castor set	A	192,-	15,-	207,-
Skip Body Welded Oil and Watertight	A	121,-	0,-	121,-
Platform for Off-Cuts Type RGP	Category	Price	Freight charges	Price including freight charges
RGP-1, painted	A	2437,-	on request	on request

Prices in EUR, valid EXW DE-46354 Südlohn, DE-38820 Halberstadt, unpacked
Freight charges valid CPT Slovenia, islands and oversea territories excluded

Price List 0726 en-SI

Forklift Truck Attachments



Platform for Off-Cuts Type RGP	Category	Price	Freight charges	Price including freight charges
RGP-1, hot-dip galvanized	A	3118,-	on request	on request
RGP-2, painted	A	2669,-	on request	on request
RGP-2, hot-dip galvanized	A	3558,-	on request	on request
RGP-3, painted	A	2907,-	on request	on request
RGP-3, hot-dip galvanized	A	3916,-	on request	on request
Shunting Aid Type RH	Category	Price	Freight charges	Price including freight charges
RH, painted	A	426,-	50,-	476,-
Shunting Aid Type RH-AC	Category	Price	Freight charges	Price including freight charges
RH-AC, painted	A	2305,-	261,-	2566,-
Shunting Aid Type RH-RA	Category	Price	Freight charges	Price including freight charges
RH-RA, painted	A	1586,-	123,-	1709,-
Shunting Aid Type RH-RAK	Category	Price	Freight charges	Price including freight charges
RH-RAK, painted	A	1691,-	123,-	1814,-
Shunting Aid Type RH-RM	Category	Price	Freight charges	Price including freight charges
RH-RM, painted	A	1178,-	123,-	1301,-
Shunting Aid Type RH-RMK	Category	Price	Freight charges	Price including freight charges
RH-RMK, painted	A	1285,-	123,-	1408,-
Drum Lifter Type RS 60	Category	Price	Freight charges	Price including freight charges
RS 60-I, painted	B	1013,-	123,-	1136,-
RS 60-I, hot-dip galvanized	B	1076,-	123,-	1199,-
RS 60-II, painted	B	1713,-	123,-	1836,-
RS 60-II, hot-dip galvanized	B	1798,-	123,-	1921,-
Drum Lifter Type RS	Category	Price	Freight charges	Price including freight charges
RS-I/91, painted	B	1701,-	180,-	1881,-
RS-I/91, hot-dip galvanized	B	1945,-	180,-	2125,-
RS-II/91, painted	B	2948,-	180,-	3128,-
RS-II/91, hot-dip galvanized	B	3320,-	180,-	3500,-
RS-I/M, painted	B	1556,-	123,-	1679,-
RS-I/M, hot-dip galvanized	B	1798,-	180,-	1978,-
RS-II/M, painted	B	2663,-	180,-	2843,-
RS-II/M, hot-dip galvanized	B	3030,-	180,-	3210,-
Drum Lifter Type RS/D 91	Category	Price	Freight charges	Price including freight charges
RS-I/D 91, painted	B	1488,-	180,-	1668,-
RS-I/D 91, hot-dip galvanized	B	1730,-	180,-	1910,-
RS-II/D 91, painted	B	2521,-	180,-	2701,-

Prices in EUR, valid EXW DE-46354 Südlohn, DE-38820 Halberstadt, unpacked
Freight charges valid CPT Slovenia, islands and oversea territories excluded

Price List 0726 en-SI

Forklift Truck Attachments



Drum Lifter Type RS/D 91	Category	Price	Freight charges	Price including freight charges
RS-II/D 91, hot-dip galvanized	B	2887,-	180,-	3067,-

Swarf Tilting Container Type S3S	Category	Price	Freight charges	Price including freight charges
S3S 300, painted	A	1357,-	180,-	1537,-
Lid, galvanized	A	174,-	18,-	192,-
Castor Set, polyamide, Load capacity 1050 kg / castor set	A	136,-	15,-	151,-
S3S 300, hot-dip galvanized	A	1454,-	261,-	1715,-
Lid, galvanized	A	174,-	18,-	192,-
Castor Set, polyamide, Load capacity 1050 kg / castor set	A	136,-	15,-	151,-
S3S 600, painted	A	1413,-	261,-	1674,-
Lid, galvanized	A	196,-	22,-	218,-
Castor Set, polyamide, Load capacity 1050 kg / castor set	A	136,-	15,-	151,-
S3S 600, hot-dip galvanized	A	1514,-	261,-	1775,-
Lid, galvanized	A	196,-	22,-	218,-
Castor Set, polyamide, Load capacity 1050 kg / castor set	A	136,-	15,-	151,-

Swarf Tilting Container Type S4A	Category	Price	Freight charges	Price including freight charges
S4A 600, painted	A	1271,-	180,-	1451,-
Lid, galvanized	A	196,-	22,-	218,-
S4A 600, hot-dip galvanized	A	1418,-	180,-	1598,-
Lid, galvanized	A	196,-	22,-	218,-
S4A 900, painted	A	1408,-	261,-	1669,-
Lid, galvanized	A	223,-	27,-	250,-
S4A 900, hot-dip galvanized	A	1595,-	261,-	1856,-
Lid, galvanized	A	223,-	27,-	250,-
S4A 1200, painted	A	1497,-	261,-	1758,-
Lid, galvanized	A	223,-	26,-	249,-
S4A 1200, hot-dip galvanized	A	1730,-	261,-	1991,-
Lid, galvanized	A	223,-	26,-	249,-

Container With Drop Away Base Type SB	Category	Price	Freight charges	Price including freight charges
SB 500, painted	B	1000,-	180,-	1180,-
Lid, galvanized	B	143,-	16,-	159,-
Castor Set, polyamide, Load capacity 1350 kg / castor set	A	192,-	15,-	207,-
Heavy-duty Castor Set, polyamide, Load capacity 2550 kg / castor set	A	379,-	15,-	394,-
SB 500, hot-dip galvanized	B	1303,-	180,-	1483,-
Lid, galvanized	B	143,-	16,-	159,-
Castor Set, polyamide, Load capacity 1350 kg / castor set	A	192,-	15,-	207,-
Heavy-duty Castor Set, polyamide, Load capacity 2550 kg / castor set	A	379,-	15,-	394,-
SB 750, painted	B	1094,-	180,-	1274,-
Lid, galvanized	B	143,-	16,-	159,-
Castor Set, polyamide, Load capacity 1350 kg / castor set	A	192,-	15,-	207,-
Heavy-duty Castor Set, polyamide, Load capacity 2550 kg / castor set	A	379,-	15,-	394,-
SB 750, hot-dip galvanized	B	1520,-	261,-	1781,-
Lid, galvanized	B	143,-	16,-	159,-

Prices in EUR, valid EXW DE-46354 Südlohn, DE-38820 Halberstadt, unpacked
 Freight charges valid CPT Slovenia, islands and oversea territories excluded

Price List 0726 en-SI

Forklift Truck Attachments



Container With Drop Away Base Type SB	Category	Price	Freight charges	Price including freight charges
Castor Set, polyamide, Load capacity 1350 kg / castor set	A	192,-	15,-	207,-
Heavy-duty Castor Set, polyamide, Load capacity 2550 kg / castor set	A	379,-	15,-	394,-
SB 1000, painted	B	1295,-	261,-	1556,-
Lid, galvanized	B	143,-	16,-	159,-
Castor Set, polyamide, Load capacity 1350 kg / castor set	A	192,-	15,-	207,-
Heavy-duty Castor Set, polyamide, Load capacity 2550 kg / castor set	A	379,-	15,-	394,-
SB 1000, hot-dip galvanized	B	1801,-	261,-	2062,-
Lid, galvanized	B	143,-	16,-	159,-
Castor Set, polyamide, Load capacity 1350 kg / castor set	A	192,-	15,-	207,-
Heavy-duty Castor Set, polyamide, Load capacity 2550 kg / castor set	A	379,-	15,-	394,-
SB 1500, painted	B	1755,-	261,-	2016,-
Lid, galvanized	B	254,-	21,-	275,-
Castor Set, polyamide, Load capacity 1350 kg / castor set	A	192,-	15,-	207,-
Heavy-duty Castor Set, polyamide, Load capacity 2550 kg / castor set	A	379,-	15,-	394,-
SB 1500, hot-dip galvanized	B	2443,-	333,-	2776,-
Lid, galvanized	B	254,-	21,-	275,-
Castor Set, polyamide, Load capacity 1350 kg / castor set	A	192,-	15,-	207,-
Heavy-duty Castor Set, polyamide, Load capacity 2550 kg / castor set	A	379,-	15,-	394,-
SB 2000, painted	B	1803,-	333,-	2136,-
Lid, galvanized	B	254,-	21,-	275,-
Castor Set, polyamide, Load capacity 1350 kg / castor set	A	192,-	15,-	207,-
Heavy-duty Castor Set, polyamide, Load capacity 2550 kg / castor set	A	379,-	15,-	394,-
SB 2000, hot-dip galvanized	B	2581,-	333,-	2914,-
Lid, galvanized	B	254,-	21,-	275,-
Castor Set, polyamide, Load capacity 1350 kg / castor set	A	192,-	15,-	207,-
Heavy-duty Castor Set, polyamide, Load capacity 2550 kg / castor set	A	379,-	15,-	394,-
Collecting System Type SBS	Category	Price	Freight charges	Price including freight charges
SBS 500, painted	C	399,-	180,-	579,-
Trolley TW 500, hot-dip galvanized	C	258,-	123,-	381,-
SBS 500, hot-dip galvanized	C	472,-	180,-	652,-
Trolley TW 500, hot-dip galvanized	C	258,-	123,-	381,-
SBS 1000, painted	C	509,-	180,-	689,-
Trolley TW 1000, hot-dip galvanized	C	297,-	123,-	420,-
SBS 1000, hot-dip galvanized	C	626,-	180,-	806,-
Trolley TW 1000, hot-dip galvanized	C	297,-	123,-	420,-
SBS 2000, painted	C	807,-	313,-	1120,-
Trolley TW 2000, hot-dip galvanized	C	505,-	123,-	628,-
SBS 2000, hot-dip galvanized	C	968,-	313,-	1281,-
Trolley TW 2000, hot-dip galvanized	C	505,-	123,-	628,-
Filling Hopper Type SBT	Category	Price	Freight charges	Price including freight charges
SBT, painted	A	1671,-	261,-	1932,-

Prices in EUR, valid EXW DE-46354 Südlohn, DE-38820 Halberstadt, unpacked
Freight charges valid CPT Slovenia, islands and oversea territories excluded

Price List 0726 en-SI

Forklift Truck Attachments



Snowdozer Type SCH-F	Category	Price	Freight charges	Price including freight charges
SCH-F 150, painted	A	2233,-	261,-	2494,-
SCH-F 180, painted	A	2507,-	261,-	2768,-
SCH-F 210, painted	A	2818,-	261,-	3079,-
SCH-F 240, painted	A	3095,-	386,-	3481,-
Snowdozer Type SCH-G	Category	Price	Freight charges	Price including freight charges
SCH-G 150, painted	A	1584,-	180,-	1764,-
SCH-G 180, painted	A	1730,-	180,-	1910,-
SCH-G 210, painted	A	1998,-	261,-	2259,-
SCH-G 240, painted	A	2160,-	313,-	2473,-
Snowdozer Type SCH-L	Category	Price	Freight charges	Price including freight charges
SCH-L 1500, painted	A	1182,-	180,-	1362,-
SCH-L 1500, hot-dip galvanized	A	1310,-	180,-	1490,-
SCH-L 1800, painted	A	1380,-	180,-	1560,-
SCH-L 1800, hot-dip galvanized	A	1532,-	180,-	1712,-
Snow Plough Type SCH-P-G	Category	Price	Freight charges	Price including freight charges
SCH-P-G 150, painted	A	2493,-	261,-	2754,-
SCH-P-G 180, painted	A	2677,-	261,-	2938,-
SCH-P-G 210, painted	A	2870,-	261,-	3131,-
SCH-P-G 240, painted	A	3408,-	313,-	3721,-
Snow Plough Type SCH-P-S	Category	Price	Freight charges	Price including freight charges
SCH-P-S 150, painted	A	2318,-	261,-	2579,-
SCH-P-S 180, painted	A	2476,-	261,-	2737,-
SCH-P-S 210, painted	A	2629,-	261,-	2890,-
SCH-P-S 240, painted	A	3128,-	313,-	3441,-
Snow Plough Type SCH-P-V	Category	Price	Freight charges	Price including freight charges
SCH-P-V 150, painted	A	2681,-	261,-	2942,-
SCH-P-V 180, painted	A	2949,-	261,-	3210,-
SCH-P-V 210, painted	A	3200,-	261,-	3461,-
SCH-P-V 240, painted	A	3741,-	313,-	4054,-
Snowdozer Type SCH-S	Category	Price	Freight charges	Price including freight charges
SCH-S 150, painted	A	1407,-	180,-	1587,-
SCH-S 180, painted	A	1528,-	180,-	1708,-
SCH-S 210, painted	A	1760,-	261,-	2021,-
SCH-S 240, painted	A	1880,-	313,-	2193,-
Snow Plough Type SCH-U-G	Category	Price	Freight charges	Price including freight charges
SCH-U-G 150, painted	A	2493,-	261,-	2754,-
SCH-U-G 180, painted	A	2677,-	261,-	2938,-

Prices in EUR, valid EXW DE-46354 Südlohn, DE-38820 Halberstadt, unpacked
 Freight charges valid CPT Slovenia, islands and oversea territories excluded

Price List 0726 en-SI

Forklift Truck Attachments



Snow Plough Type SCH-U-G	Category	Price	Freight charges	Price including freight charges
SCH-U-G 210, painted	A	2870,-	261,-	3131,-
SCH-U-G 240, painted	A	3408,-	313,-	3721,-
Snow Plough Type SCH-U-S	Category	Price	Freight charges	Price including freight charges
SCH-U-S 150, painted	A	2318,-	261,-	2579,-
SCH-U-S 180, painted	A	2476,-	261,-	2737,-
SCH-U-S 210, painted	A	2629,-	261,-	2890,-
SCH-U-S 240, painted	A	3128,-	313,-	3441,-
Snow Plough Type SCH-U-V	Category	Price	Freight charges	Price including freight charges
SCH-U-V 150, painted	A	2681,-	261,-	2942,-
SCH-U-V 180, painted	A	2949,-	261,-	3210,-
SCH-U-V 210, painted	A	3200,-	261,-	3461,-
SCH-U-V 240, painted	A	3741,-	313,-	4054,-
Snowdozer Type SCH-V	Category	Price	Freight charges	Price including freight charges
SCH-V 150, painted	A	1769,-	180,-	1949,-
SCH-V 180, painted	A	1991,-	180,-	2171,-
SCH-V 210, painted	A	2331,-	261,-	2592,-
SCH-V 240, painted	A	2492,-	313,-	2805,-
Silo Container Type SG	Category	Price	Freight charges	Price including freight charges
SG 375, painted	E	1014,-	180,-	1194,-
Lid, galvanized	E	131,-	28,-	159,-
SG 375, hot-dip galvanized	E	1760,-	180,-	1940,-
Lid, galvanized	E	131,-	28,-	159,-
SG 600, painted	E	1209,-	180,-	1389,-
Lid, galvanized	E	131,-	28,-	159,-
SG 600, hot-dip galvanized	E	1951,-	180,-	2131,-
Lid, galvanized	E	131,-	28,-	159,-
Silo Container Type SG-D	Category	Price	Freight charges	Price including freight charges
SG-D 375, painted	E	1014,-	123,-	1137,-
Lid, galvanized	E	131,-	28,-	159,-
SG-D 375, hot-dip galvanized	E	1760,-	180,-	1940,-
Lid, galvanized	E	131,-	28,-	159,-
SG-D 600, painted	E	1209,-	180,-	1389,-
Lid, galvanized	E	131,-	28,-	159,-
SG-D 600, hot-dip galvanized	E	1951,-	180,-	2131,-
Lid, galvanized	E	131,-	28,-	159,-
Silo Container Type SGK	Category	Price	Freight charges	Price including freight charges
SGK 50, painted	A	1115,-	180,-	1295,-
SGK 50, hot-dip galvanized	A	1142,-	180,-	1322,-
SGK 75, painted	A	1214,-	180,-	1394,-

Prices in EUR, valid EXW DE-46354 Südlohn, DE-38820 Halberstadt, unpacked
Freight charges valid CPT Slovenia, islands and oversea territories excluded

Price List 0726 en-SI

Forklift Truck Attachments



Silo Container Type SGK	Category	Price	Freight charges	Price including freight charges
SGK 75, hot-dip galvanized	A	1251,-	180,-	1431,-
SGK 100, painted	A	1327,-	180,-	1507,-
SGK 100, hot-dip galvanized	A	1367,-	180,-	1547,-
Silo Container Type SGS	Category	Price	Freight charges	Price including freight charges
SGS 50, painted	A	885,-	123,-	1008,-
SGS 50, hot-dip galvanized	A	902,-	180,-	1082,-
SGS 75, painted	A	982,-	180,-	1162,-
SGS 75, hot-dip galvanized	A	1015,-	180,-	1195,-
SGS 100, painted	A	1078,-	180,-	1258,-
SGS 100, hot-dip galvanized	A	1110,-	180,-	1290,-
Swarf Tilting Container Type SGU	Category	Price	Freight charges	Price including freight charges
SGU 30, painted	A	940,-	180,-	1120,-
Lid, galvanized	A	98,-	18,-	116,-
Castor Set, polyamide, Load capacity 1350 kg / castor set	A	192,-	15,-	207,-
Crane lifting eyes for use with a crane	A	106,-	8,-	114,-
Support legs, 100 mm ground leeway	A	70,-	8,-	78,-
SGU 30, hot-dip galvanized	A	1117,-	180,-	1297,-
Lid, galvanized	A	98,-	18,-	116,-
Castor Set, polyamide, Load capacity 1350 kg / castor set	A	192,-	15,-	207,-
Crane lifting eyes for use with a crane	A	106,-	8,-	114,-
Support legs, 100 mm ground leeway	A	70,-	8,-	78,-
SGU 50, painted	A	1163,-	180,-	1343,-
Lid, galvanized	A	98,-	18,-	116,-
Castor Set, polyamide, Load capacity 1350 kg / castor set	A	192,-	15,-	207,-
Adjustable dumping brake	A	464,-	10,-	474,-
Crane lifting eyes for use with a crane	A	106,-	8,-	114,-
Support legs, 100 mm ground leeway	A	70,-	8,-	78,-
SGU 50, hot-dip galvanized	A	1407,-	180,-	1587,-
Lid, galvanized	A	98,-	18,-	116,-
Castor Set, polyamide, Load capacity 1350 kg / castor set	A	192,-	15,-	207,-
Adjustable dumping brake	A	464,-	10,-	474,-
Crane lifting eyes for use with a crane	A	106,-	8,-	114,-
Support legs, 100 mm ground leeway	A	70,-	8,-	78,-
SGU 75, painted	A	1312,-	180,-	1492,-
Lid, galvanized	A	139,-	26,-	165,-
Castor Set, polyamide, Load capacity 1350 kg / castor set	A	192,-	15,-	207,-
Adjustable dumping brake	A	464,-	10,-	474,-
Crane lifting eyes for use with a crane	A	106,-	8,-	114,-
Support legs, 100 mm ground leeway	A	70,-	8,-	78,-
SGU 75, hot-dip galvanized	A	1623,-	180,-	1803,-
Lid, galvanized	A	139,-	26,-	165,-
Castor Set, polyamide, Load capacity 1350 kg / castor set	A	192,-	15,-	207,-
Adjustable dumping brake	A	464,-	10,-	474,-

Prices in EUR, valid EXW DE-46354 Südlohn, DE-38820 Halberstadt, unpacked
Freight charges valid CPT Slovenia, islands and oversea territories excluded

Price List 0726 en-SI

Forklift Truck Attachments



Swarf Tilting Container Type SGU	Category	Price	Freight charges	Price including freight charges
Crane lifting eyes for use with a crane	A	106,-	8,-	114,-
Support legs, 100 mm ground leeway	A	70,-	8,-	78,-
SGU 100, painted	A	1571,-	261,-	1832,-
Lid, galvanized	A	192,-	27,-	219,-
Castor Set, polyamide, Load capacity 1350 kg / castor set	A	192,-	15,-	207,-
Adjustable dumping brake	A	464,-	10,-	474,-
Crane lifting eyes for use with a crane	A	106,-	8,-	114,-
Support legs, 100 mm ground leeway	A	70,-	8,-	78,-
SGU 100, hot-dip galvanized	A	2120,-	261,-	2381,-
Lid, galvanized	A	192,-	27,-	219,-
Castor Set, polyamide, Load capacity 1350 kg / castor set	A	192,-	15,-	207,-
Adjustable dumping brake	A	464,-	10,-	474,-
Crane lifting eyes for use with a crane	A	106,-	8,-	114,-
Support legs, 100 mm ground leeway	A	70,-	8,-	78,-
SGU 150, painted	A	1764,-	261,-	2025,-
Lid, galvanized	A	192,-	27,-	219,-
Castor Set, polyamide, Load capacity 1350 kg / castor set	A	192,-	15,-	207,-
Adjustable dumping brake	A	464,-	10,-	474,-
Crane lifting eyes for use with a crane	A	106,-	8,-	114,-
Support legs, 100 mm ground leeway	A	70,-	8,-	78,-
SGU 150, hot-dip galvanized	A	2242,-	261,-	2503,-
Lid, galvanized	A	192,-	27,-	219,-
Castor Set, polyamide, Load capacity 1350 kg / castor set	A	192,-	15,-	207,-
Adjustable dumping brake	A	464,-	10,-	474,-
Crane lifting eyes for use with a crane	A	106,-	8,-	114,-
Support legs, 100 mm ground leeway	A	70,-	8,-	78,-
SGU 200, painted	A	2215,-	333,-	2548,-
Lid, galvanized	A	226,-	32,-	258,-
Castor Set, polyamide, Load capacity 1350 kg / castor set	A	192,-	15,-	207,-
Adjustable dumping brake	A	464,-	10,-	474,-
Crane lifting eyes for use with a crane	A	106,-	8,-	114,-
Support legs, 100 mm ground leeway	A	70,-	8,-	78,-
SGU 200, hot-dip galvanized	A	2779,-	333,-	3112,-
Castor Set, polyamide, Load capacity 1350 kg / castor set	A	192,-	15,-	207,-
Lid, galvanized	A	226,-	32,-	258,-
Adjustable dumping brake	A	464,-	10,-	474,-
Crane lifting eyes for use with a crane	A	106,-	8,-	114,-
Support legs, 100 mm ground leeway	A	70,-	8,-	78,-
Swarf Tilting Container Type SGU-RZ	Category	Price	Freight charges	Price including freight charges
SGU-RZ 30, painted	A	972,-	180,-	1152,-
Lid, galvanized	A	95,-	18,-	113,-
SGU-RZ 30, hot-dip galvanized	A	1097,-	180,-	1277,-
Lid, galvanized	A	95,-	18,-	113,-
SGU-RZ 55, painted	A	1202,-	180,-	1382,-
Lid, galvanized	A	95,-	18,-	113,-

Prices in EUR, valid EXW DE-46354 Südlohn, DE-38820 Halberstadt, unpacked
 Freight charges valid CPT Slovenia, islands and oversea territories excluded

Price List 0726 en-SI

Forklift Truck Attachments



Swarf Tilting Container Type SGU-RZ	Category	Price	Freight charges	Price including freight charges
SGU-RZ 55, hot-dip galvanized	A	1314,-	180,-	1494,-
Lid, galvanized	A	95,-	18,-	113,-
Gritter Type SH	Category	Price	Freight charges	Price including freight charges
SH, painted	A	3569,-	180,-	3749,-
Tarpaulin	A	122,-	10,-	132,-
Forklift Safety Cage Type SIKO	Category	Price	Freight charges	Price including freight charges
SIKO, painted	A	726,-	180,-	906,-
Castor Set, polyamide, Load capacity 1050 kg / castor set	A	136,-	15,-	151,-
Forklift Safety Cage Type SIKO/L	Category	Price	Freight charges	Price including freight charges
SIKO/L, painted	A	878,-	180,-	1058,-
Castor Set, polyamide, Load capacity 1050 kg / castor set	A	136,-	15,-	151,-
Forklift Safety Cage Type SIKO-G	Category	Price	Freight charges	Price including freight charges
SIKO-G, painted	A	657,-	123,-	780,-
Forklift Safety Cage Type SIKO-M	Category	Price	Freight charges	Price including freight charges
SIKO-M, painted	A	529,-	123,-	652,-
Heavy Duty Tilting Container Type SK	Category	Price	Freight charges	Price including freight charges
SK 300, painted	A	1281,-	261,-	1542,-
Lid, galvanized	A	174,-	18,-	192,-
Heavy-duty Castor Set, polyamide, Load capacity 2550 kg / castor set	A	379,-	15,-	394,-
Skip Body Welded Oil and Watertight	A	78,-	0,-	78,-
SK 300, hot-dip galvanized	A	1555,-	261,-	1816,-
Lid, galvanized	A	174,-	18,-	192,-
Heavy-duty Castor Set, polyamide, Load capacity 2550 kg / castor set	A	379,-	15,-	394,-
Skip Body Welded Oil and Watertight	A	78,-	0,-	78,-
SK 600, painted	A	1386,-	261,-	1647,-
Lid, galvanized	A	196,-	22,-	218,-
Heavy-duty Castor Set, polyamide, Load capacity 2550 kg / castor set	A	379,-	15,-	394,-
Skip Body Welded Oil and Watertight	A	78,-	0,-	78,-
SK 600, hot-dip galvanized	A	1724,-	333,-	2057,-
Lid, galvanized	A	196,-	22,-	218,-
Heavy-duty Castor Set, polyamide, Load capacity 2550 kg / castor set	A	379,-	15,-	394,-
Skip Body Welded Oil and Watertight	A	78,-	0,-	78,-
SK 900, painted	A	1510,-	333,-	1843,-
Lid, galvanized	A	223,-	27,-	250,-
Heavy-duty Castor Set, polyamide, Load capacity 2550 kg / castor set	A	379,-	15,-	394,-
Skip Body Welded Oil and Watertight	A	78,-	0,-	78,-
SK 900, hot-dip galvanized	A	1941,-	333,-	2274,-
Lid, galvanized	A	223,-	27,-	250,-
Heavy-duty Castor Set, polyamide, Load capacity 2550 kg / castor set	A	379,-	15,-	394,-

Prices in EUR, valid EXW DE-46354 Südlohn, DE-38820 Halberstadt, unpacked
Freight charges valid CPT Slovenia, islands and oversea territories excluded

Price List 0726 en-SI

Forklift Truck Attachments



Heavy Duty Tilting Container Type SK	Category	Price	Freight charges	Price including freight charges
Skip Body Welded Oil and Watertight	A	78,-	0,-	78,-
SK 1200, painted	A	1770,-	333,-	2103,-
Lid, galvanized	A	223,-	26,-	249,-
Heavy-duty Castor Set, polyamide, Load capacity 2550 kg / castor set	A	379,-	15,-	394,-
Skip Body Welded Oil and Watertight	A	121,-	0,-	121,-
SK 1200, hot-dip galvanized	A	2277,-	455,-	2732,-
Lid, galvanized	A	223,-	26,-	249,-
Heavy-duty Castor Set, polyamide, Load capacity 2550 kg / castor set	A	379,-	15,-	394,-
Skip Body Welded Oil and Watertight	A	121,-	0,-	121,-
SK 1700, painted	A	1862,-	455,-	2317,-
Lid, galvanized	A	276,-	33,-	309,-
Heavy-duty Castor Set, polyamide, Load capacity 2550 kg / castor set	A	379,-	15,-	394,-
Skip Body Welded Oil and Watertight	A	121,-	0,-	121,-
SK 1700, hot-dip galvanized	A	2492,-	455,-	2947,-
Lid, galvanized	A	276,-	33,-	309,-
Heavy-duty Castor Set, polyamide, Load capacity 2550 kg / castor set	A	379,-	15,-	394,-
Skip Body Welded Oil and Watertight	A	121,-	0,-	121,-
SK 2100, painted	A	2032,-	455,-	2487,-
Lid, galvanized	A	360,-	36,-	396,-
Heavy-duty Castor Set, polyamide, Load capacity 2550 kg / castor set	A	379,-	15,-	394,-
Skip Body Welded Oil and Watertight	A	121,-	0,-	121,-
SK 2100, hot-dip galvanized	A	2739,-	455,-	3194,-
Lid, galvanized	A	360,-	36,-	396,-
Heavy-duty Castor Set, polyamide, Load capacity 2550 kg / castor set	A	379,-	15,-	394,-
Skip Body Welded Oil and Watertight	A	121,-	0,-	121,-
Broom Type SKB	Category	Price	Freight charges	Price including freight charges
SKB 100, painted	A	958,-	123,-	1081,-
SKB 150, painted	A	1197,-	123,-	1320,-
SKB 200, painted	A	1475,-	123,-	1598,-
Broom Type SKB-0	Category	Price	Freight charges	Price including freight charges
SKB-0 100, painted	A	658,-	123,-	781,-
SKB-0 150, painted	A	898,-	123,-	1021,-
SKB-0 200, painted	A	1176,-	123,-	1299,-
Swarf Tipping Skip Type SKK	Category	Price	Freight charges	Price including freight charges
SKK 250, painted	E	534,-	123,-	657,-
Lid, galvanized	E	136,-	15,-	151,-
Castor Set, polyamide, Load capacity 1050 kg / castor set	A	136,-	15,-	151,-
Castor Set, solid rubber, Load capacity 615 kg / castor set	E	103,-	15,-	118,-
SKK 250, hot-dip galvanized	E	583,-	123,-	706,-
Lid, galvanized	E	136,-	15,-	151,-
Castor Set, polyamide, Load capacity 1050 kg / castor set	A	136,-	15,-	151,-
Castor Set, solid rubber, Load capacity 615 kg / castor set	E	103,-	15,-	118,-

Prices in EUR, valid EXW DE-46354 Südlohn, DE-38820 Halberstadt, unpacked
Freight charges valid CPT Slovenia, islands and oversea territories excluded

Price List 0726 en-SI

Forklift Truck Attachments



Swarf Tipping Skip Type SKK	Category	Price	Freight charges	Price including freight charges
SKK 400, painted	E	600,-	123,-	723,-
Lid, galvanized	E	156,-	16,-	172,-
Castor Set, polyamide, Load capacity 1050 kg / castor set	A	136,-	15,-	151,-
Castor Set, solid rubber, Load capacity 615 kg / castor set	E	103,-	15,-	118,-
SKK 400, hot-dip galvanized	E	649,-	123,-	772,-
Lid, galvanized	E	156,-	16,-	172,-
Castor Set, polyamide, Load capacity 1050 kg / castor set	A	136,-	15,-	151,-
Castor Set, solid rubber, Load capacity 615 kg / castor set	E	103,-	15,-	118,-
SKK 600, painted	E	815,-	180,-	995,-
Lid, galvanized	E	173,-	20,-	193,-
Castor Set, polyamide, Load capacity 1050 kg / castor set	A	136,-	15,-	151,-
Castor Set, solid rubber, Load capacity 615 kg / castor set	E	103,-	15,-	118,-
SKK 600, hot-dip galvanized	E	914,-	180,-	1094,-
Lid, galvanized	E	173,-	20,-	193,-
Castor Set, polyamide, Load capacity 1050 kg / castor set	A	136,-	15,-	151,-
Castor Set, solid rubber, Load capacity 615 kg / castor set	E	103,-	15,-	118,-
SKK 800, painted	E	872,-	180,-	1052,-
Lid, galvanized	E	181,-	21,-	202,-
Castor Set, polyamide, Load capacity 1050 kg / castor set	A	136,-	15,-	151,-
Castor Set, solid rubber, Load capacity 615 kg / castor set	E	103,-	15,-	118,-
SKK 800, hot-dip galvanized	E	980,-	180,-	1160,-
Lid, galvanized	E	181,-	21,-	202,-
Castor Set, polyamide, Load capacity 1050 kg / castor set	A	136,-	15,-	151,-
Castor Set, solid rubber, Load capacity 615 kg / castor set	E	103,-	15,-	118,-
SKK 1000, painted	E	930,-	180,-	1110,-
Lid, galvanized	E	193,-	22,-	215,-
Castor Set, polyamide, Load capacity 1050 kg / castor set	A	136,-	15,-	151,-
Castor Set, solid rubber, Load capacity 615 kg / castor set	E	103,-	15,-	118,-
SKK 1000, hot-dip galvanized	E	1063,-	180,-	1243,-
Lid, galvanized	E	193,-	22,-	215,-
Castor Set, polyamide, Load capacity 1050 kg / castor set	A	136,-	15,-	151,-
Castor Set, solid rubber, Load capacity 615 kg / castor set	E	103,-	15,-	118,-

Swarf Tilting Container Type SKM	Category	Price	Freight charges	Price including freight charges
SKM 30, painted	A	950,-	180,-	1130,-
Lid, galvanized	A	104,-	18,-	122,-
SKM 30, hot-dip galvanized	A	1148,-	180,-	1328,-
Lid, galvanized	A	104,-	18,-	122,-
SKM 50, painted	A	1220,-	180,-	1400,-
Lid, galvanized	A	158,-	28,-	186,-
SKM 50, hot-dip galvanized	A	1478,-	180,-	1658,-
Lid, galvanized	A	158,-	28,-	186,-
SKM 75, painted	A	1469,-	180,-	1649,-
Lid, galvanized	A	175,-	33,-	208,-
SKM 75, hot-dip galvanized	A	1790,-	261,-	2051,-
Lid, galvanized	A	175,-	33,-	208,-

Prices in EUR, valid EXW DE-46354 Südlohn, DE-38820 Halberstadt, unpacked
Freight charges valid CPT Slovenia, islands and oversea territories excluded

Price List 0726 en-SI

Forklift Truck Attachments



Swarf Tipping Skip Type SKN	Category	Price	Freight charges	Price including freight charges
SKN 250, painted	E	534,-	123,-	657,-
Lid, galvanized	E	136,-	15,-	151,-
Castor Set, polyamide, Load capacity 1050 kg / castor set	A	136,-	15,-	151,-
Castor Set, solid rubber, Load capacity 615 kg / castor set	E	103,-	15,-	118,-
SKN 250, hot-dip galvanized	E	583,-	123,-	706,-
Lid, galvanized	E	136,-	15,-	151,-
Castor Set, polyamide, Load capacity 1050 kg / castor set	A	136,-	15,-	151,-
Castor Set, solid rubber, Load capacity 615 kg / castor set	E	103,-	15,-	118,-
SKN 400, painted	E	600,-	123,-	723,-
Lid, galvanized	E	156,-	16,-	172,-
Castor Set, polyamide, Load capacity 1050 kg / castor set	A	136,-	15,-	151,-
Castor Set, solid rubber, Load capacity 615 kg / castor set	E	103,-	15,-	118,-
SKN 400, hot-dip galvanized	E	649,-	123,-	772,-
Lid, galvanized	E	156,-	16,-	172,-
Castor Set, polyamide, Load capacity 1050 kg / castor set	A	136,-	15,-	151,-
Castor Set, solid rubber, Load capacity 615 kg / castor set	E	103,-	15,-	118,-

Swarf Tipping Skip Type SKS	Category	Price	Freight charges	Price including freight charges
SKS 400, painted	E	946,-	180,-	1126,-
SKS 550, painted	E	1013,-	180,-	1193,-
SKS 700, painted	E	1072,-	180,-	1252,-

Swarf Barrow Tipper Type SKW-ET	Category	Price	Freight charges	Price including freight charges
SKW-ET 250, painted	E	638,-	123,-	761,-
Lid, galvanized	E	136,-	15,-	151,-
SKW-ET 250, hot-dip galvanized	E	975,-	123,-	1098,-
Lid, galvanized	E	136,-	15,-	151,-
SKW-ET 400, painted	E	697,-	123,-	820,-
Lid, galvanized	E	156,-	16,-	172,-
SKW-ET 400, hot-dip galvanized	E	1071,-	123,-	1194,-
Lid, galvanized	E	156,-	16,-	172,-
SKW-ET 600, painted	E	851,-	180,-	1031,-
Lid, galvanized	E	173,-	20,-	193,-
SKW-ET 600, hot-dip galvanized	E	1233,-	180,-	1413,-
Lid, galvanized	E	173,-	20,-	193,-
SKW-ET 1000, painted	E	1032,-	180,-	1212,-
Lid, galvanized	E	193,-	22,-	215,-
SKW-ET 1000, hot-dip galvanized	E	1643,-	180,-	1823,-
Lid, galvanized	E	193,-	22,-	215,-

Mini Swarf Tilting Container Type SMGU	Category	Price	Freight charges	Price including freight charges
SMGU 230, painted	A	689,-	123,-	812,-
Lid, galvanized	A	131,-	18,-	149,-
Castor Set, polyamide, Load capacity 1050 kg / castor set	A	156,-	15,-	171,-
SMGU 230, hot-dip galvanized	A	775,-	180,-	955,-

Prices in EUR, valid EXW DE-46354 Südlohn, DE-38820 Halberstadt, unpacked
 Freight charges valid CPT Slovenia, islands and oversea territories excluded

Price List 0726 en-SI

Forklift Truck Attachments



Mini Swarf Tilting Container Type SMGU	Category	Price	Freight charges	Price including freight charges
Lid, galvanized	A	131,-	18,-	149,-
Castor Set, polyamide, Load capacity 1050 kg / castor set	A	156,-	15,-	171,-
SMGU 270, painted	A	744,-	180,-	924,-
Lid, galvanized	A	131,-	18,-	149,-
Castor Set, polyamide, Load capacity 1050 kg / castor set	A	156,-	15,-	171,-
SMGU 270, hot-dip galvanized	A	850,-	180,-	1030,-
Lid, galvanized	A	131,-	18,-	149,-
Castor Set, polyamide, Load capacity 1050 kg / castor set	A	156,-	15,-	171,-
SMGU 460, painted	A	935,-	180,-	1115,-
Lid, galvanized	A	169,-	22,-	191,-
Castor Set, polyamide, Load capacity 1050 kg / castor set	A	156,-	15,-	171,-
SMGU 460, hot-dip galvanized	A	1088,-	180,-	1268,-
Lid, galvanized	A	169,-	22,-	191,-
Castor Set, polyamide, Load capacity 1050 kg / castor set	A	156,-	15,-	171,-
SMGU 610, painted	A	1041,-	180,-	1221,-
Lid, galvanized	A	181,-	26,-	207,-
Castor Set, polyamide, Load capacity 1050 kg / castor set	A	156,-	15,-	171,-
SMGU 610, hot-dip galvanized	A	1209,-	180,-	1389,-
Lid, galvanized	A	181,-	26,-	207,-
Castor Set, polyamide, Load capacity 1050 kg / castor set	A	156,-	15,-	171,-

Silo Container Type SR	Category	Price	Freight charges	Price including freight charges
SR 375, painted	E	844,-	123,-	967,-
Lid, galvanized	E	131,-	33,-	164,-
SR 375, hot-dip galvanized	E	1584,-	123,-	1707,-
Lid, galvanized	E	131,-	33,-	164,-
SR 600, painted	E	1048,-	180,-	1228,-
Lid, galvanized	E	131,-	33,-	164,-
SR 600, hot-dip galvanized	E	1801,-	180,-	1981,-
Lid, galvanized	E	131,-	33,-	164,-

Silo Container Type SR-D	Category	Price	Freight charges	Price including freight charges
SR-D 375, painted	E	844,-	123,-	967,-
Lid, galvanized	E	131,-	33,-	164,-
SR-D 375, hot-dip galvanized	E	1584,-	123,-	1707,-
Lid, galvanized	E	131,-	33,-	164,-
SR-D 600, painted	E	1048,-	180,-	1228,-
Lid, galvanized	E	131,-	33,-	164,-
SR-D 600, hot-dip galvanized	E	1801,-	180,-	1981,-
Lid, galvanized	E	131,-	33,-	164,-

Silo Container Type SRE	Category	Price	Freight charges	Price including freight charges
SRE 375, painted	E	962,-	180,-	1142,-
Lid, galvanized	E	131,-	33,-	164,-
SRE 375, hot-dip galvanized	E	1723,-	180,-	1903,-

Prices in EUR, valid EXW DE-46354 Südlohn, DE-38820 Halberstadt, unpacked
 Freight charges valid CPT Slovenia, islands and oversea territories excluded

Price List 0726 en-SI

Forklift Truck Attachments



Silo Container Type SRE	Category	Price	Freight charges	Price including freight charges
Lid, galvanized	E	131,-	33,-	164,-
SRE 600, painted	E	1171,-	180,-	1351,-
Lid, galvanized	E	131,-	33,-	164,-
SRE 600, hot-dip galvanized	E	1857,-	180,-	2037,-
Lid, galvanized	E	131,-	33,-	164,-
Silo Container Type SRE-D	Category	Price	Freight charges	Price including freight charges
SRE-D 375, painted	E	962,-	123,-	1085,-
Lid, galvanized	E	131,-	33,-	164,-
SRE-D 375, hot-dip galvanized	E	1723,-	180,-	1903,-
Lid, galvanized	E	131,-	33,-	164,-
SRE-D 600, painted	E	1171,-	180,-	1351,-
Lid, galvanized	E	131,-	33,-	164,-
SRE-D 600, hot-dip galvanized	E	1857,-	180,-	2037,-
Lid, galvanized	E	131,-	33,-	164,-
Forklift Tender System Type STS	Category	Price	Freight charges	Price including freight charges
STS 2,5, painted	C	3857,-	on request	on request
STS 5,0, painted	C	4546,-	on request	on request
Spreader Type STW	Category	Price	Freight charges	Price including freight charges
STW 100, painted	A	1216,-	123,-	1339,-
Tarpaulin	A	116,-	10,-	126,-
STW 260, painted	A	2147,-	123,-	2270,-
Tarpaulin	A	122,-	10,-	132,-
Traverse for Big Bags Type TBB	Category	Price	Freight charges	Price including freight charges
TBB, painted	A	901,-	123,-	1024,-
Traverse For Big Bags Type TBB-E	Category	Price	Freight charges	Price including freight charges
TBB-E, painted	A	852,-	123,-	975,-
Traverse For Big Bags Type TBB-W	Category	Price	Freight charges	Price including freight charges
TBB-W, painted	A	1093,-	123,-	1216,-
Mini Lifting Beam Type TM	Category	Price	Freight charges	Price including freight charges
TM 200-500, hot-dip galvanized	F	399,-	50,-	449,-
TM 400-800, hot-dip galvanized	F	429,-	50,-	479,-
TM 800-1200, hot-dip galvanized	F	566,-	50,-	616,-
Tilting Container Type TRIO	Category	Price	Freight charges	Price including freight charges
TRIO, painted	A	2333,-	333,-	2666,-
Lid, galvanized	A	215,-	26,-	241,-
Castor Set, polyamide, Load capacity 1350 kg / castor set	A	192,-	15,-	207,-

Prices in EUR, valid EXW DE-46354 Südlohn, DE-38820 Halberstadt, unpacked
Freight charges valid CPT Slovenia, islands and oversea territories excluded

Price List 0726 en-SI

Forklift Truck Attachments



Tilting Container Type TRIO	Category	Price	Freight charges	Price including freight charges
Set of 5 self-adhesive stickers with symbols for: glass, paper, plastic, metal, residual waste	A	29,-	on request	on request
Universal Container Type UC	Category	Price	Freight charges	Price including freight charges
UC 500, painted	A	675,-	123,-	798,-
Lid, galvanized	A	168,-	16,-	184,-
Castor Set, polyamide, Load capacity 1350 kg / castor set	A	192,-	15,-	207,-
Pick-up Profile on Type UC for Traverse Type UCT	A	106,-	0,-	106,-
UC 500, hot-dip galvanized	A	771,-	180,-	951,-
Lid, galvanized	A	168,-	16,-	184,-
Castor Set, polyamide, Load capacity 1350 kg / castor set	A	192,-	15,-	207,-
Pick-up Profile on Type UC for Traverse Type UCT	A	106,-	0,-	106,-
UC 750, painted	A	734,-	180,-	914,-
Lid, galvanized	A	168,-	16,-	184,-
Castor Set, polyamide, Load capacity 1350 kg / castor set	A	192,-	15,-	207,-
Pick-up Profile on Type UC for Traverse Type UCT	A	106,-	0,-	106,-
UC 750, hot-dip galvanized	A	853,-	180,-	1033,-
Lid, galvanized	A	168,-	16,-	184,-
Castor Set, polyamide, Load capacity 1350 kg / castor set	A	192,-	15,-	207,-
Pick-up Profile on Type UC for Traverse Type UCT	A	106,-	0,-	106,-
UC 1000, painted	A	771,-	180,-	951,-
Lid, galvanized	A	168,-	16,-	184,-
Castor Set, polyamide, Load capacity 1350 kg / castor set	A	192,-	15,-	207,-
Pick-up Profile on Type UC for Traverse Type UCT	A	106,-	0,-	106,-
UC 1000, hot-dip galvanized	A	894,-	180,-	1074,-
Lid, galvanized	A	168,-	16,-	184,-
Castor Set, polyamide, Load capacity 1350 kg / castor set	A	192,-	15,-	207,-
Pick-up Profile on Type UC for Traverse Type UCT	A	106,-	0,-	106,-
Hydraulic Traverse Type UCT	Category	Price	Freight charges	Price including freight charges
UCT, painted	A	2737,-	261,-	2998,-
Tilting Container Type VD	Category	Price	Freight charges	Price including freight charges
VD 500, painted	A	794,-	180,-	974,-
Lid, galvanized	A	144,-	18,-	162,-
Castor Set, polyamide, Load capacity 1350 kg / castor set	A	192,-	15,-	207,-
Skip Body Welded Oil and Watertight	A	78,-	0,-	78,-
VD 500, hot-dip galvanized	A	1033,-	180,-	1213,-
Lid, galvanized	A	144,-	18,-	162,-
Castor Set, polyamide, Load capacity 1350 kg / castor set	A	192,-	15,-	207,-
Skip Body Welded Oil and Watertight	A	78,-	0,-	78,-
VD 650, painted	A	868,-	180,-	1048,-
Lid, galvanized	A	144,-	18,-	162,-
Castor Set, polyamide, Load capacity 1350 kg / castor set	A	192,-	15,-	207,-
Skip Body Welded Oil and Watertight	A	78,-	0,-	78,-
VD 650, hot-dip galvanized	A	1130,-	180,-	1310,-

Prices in EUR, valid EXW DE-46354 Südlohn, DE-38820 Halberstadt, unpacked
Freight charges valid CPT Slovenia, islands and oversea territories excluded

Price List 0726 en-SI

Forklift Truck Attachments



Tilting Container Type VD	Category	Price	Freight charges	Price including freight charges
Lid, galvanized	A	144,-	18,-	162,-
Castor Set, polyamide, Load capacity 1350 kg / castor set	A	192,-	15,-	207,-
Skip Body Welded Oil and Watertight	A	78,-	0,-	78,-
VD 800, painted	A	991,-	180,-	1171,-
Lid, galvanized	A	174,-	22,-	196,-
Castor Set, polyamide, Load capacity 1350 kg / castor set	A	192,-	15,-	207,-
Skip Body Welded Oil and Watertight	A	78,-	0,-	78,-
VD 800, hot-dip galvanized	A	1346,-	180,-	1526,-
Lid, galvanized	A	174,-	22,-	196,-
Castor Set, polyamide, Load capacity 1350 kg / castor set	A	192,-	15,-	207,-
Skip Body Welded Oil and Watertight	A	78,-	0,-	78,-
VD 1000, painted	A	1041,-	180,-	1221,-
Lid, galvanized	A	174,-	22,-	196,-
Castor Set, polyamide, Load capacity 1350 kg / castor set	A	192,-	15,-	207,-
Skip Body Welded Oil and Watertight	A	121,-	0,-	121,-
VD 1000, hot-dip galvanized	A	1469,-	180,-	1649,-
Lid, galvanized	A	174,-	22,-	196,-
Castor Set, polyamide, Load capacity 1350 kg / castor set	A	192,-	15,-	207,-
Skip Body Welded Oil and Watertight	A	121,-	0,-	121,-

Tilting Container Type VG	Category	Price	Freight charges	Price including freight charges
VG 550, painted	A	812,-	180,-	992,-
Lid, galvanized	A	144,-	18,-	162,-
Castor Set, polyamide, Load capacity 1350 kg / castor set	A	192,-	15,-	207,-
Skip Body Welded Oil and Watertight	A	78,-	0,-	78,-
VG 550, hot-dip galvanized	A	1058,-	180,-	1238,-
Lid, galvanized	A	144,-	18,-	162,-
Castor Set, polyamide, Load capacity 1350 kg / castor set	A	192,-	15,-	207,-
Skip Body Welded Oil and Watertight	A	78,-	0,-	78,-
VG 700, painted	A	962,-	180,-	1142,-
Lid, galvanized	A	144,-	18,-	162,-
Castor Set, polyamide, Load capacity 1350 kg / castor set	A	192,-	15,-	207,-
Skip Body Welded Oil and Watertight	A	78,-	0,-	78,-
VG 700, hot-dip galvanized	A	1252,-	180,-	1432,-
Lid, galvanized	A	144,-	18,-	162,-
Castor Set, polyamide, Load capacity 1350 kg / castor set	A	192,-	15,-	207,-
Skip Body Welded Oil and Watertight	A	78,-	0,-	78,-
VG 900, painted	A	1060,-	180,-	1240,-
Lid, galvanized	A	174,-	22,-	196,-
Castor Set, polyamide, Load capacity 1350 kg / castor set	A	192,-	15,-	207,-
Skip Body Welded Oil and Watertight	A	78,-	0,-	78,-
VG 900, hot-dip galvanized	A	1502,-	180,-	1682,-
Lid, galvanized	A	174,-	22,-	196,-
Castor Set, polyamide, Load capacity 1350 kg / castor set	A	192,-	15,-	207,-
Skip Body Welded Oil and Watertight	A	78,-	0,-	78,-
VG 1100, painted	A	1150,-	180,-	1330,-

Prices in EUR, valid EXW DE-46354 Südlohn, DE-38820 Halberstadt, unpacked
Freight charges valid CPT Slovenia, islands and oversea territories excluded

Price List 0726 en-SI

Forklift Truck Attachments



Tilting Container Type VG	Category	Price	Freight charges	Price including freight charges
Lid, galvanized	A	174,-	22,-	196,-
Castor Set, polyamide, Load capacity 1350 kg / castor set	A	192,-	15,-	207,-
Skip Body Welded Oil and Watertight	A	121,-	0,-	121,-
VG 1100, hot-dip galvanized	A	1561,-	180,-	1741,-
Lid, galvanized	A	174,-	22,-	196,-
Castor Set, polyamide, Load capacity 1350 kg / castor set	A	192,-	15,-	207,-
Skip Body Welded Oil and Watertight	A	121,-	0,-	121,-

Prices in EUR, valid EXW DE-46354 Südlohn, DE-38820 Halberstadt, unpacked
 Freight charges valid CPT Slovenia, islands and oversea territories excluded

Price List 0726 en-SI Workspace Material Handling

Battery Charging Station Type BL	Category	Price	Freight charges	Price including freight charges
BL 1, painted	A	1422,-	123,-	1545,-
Fire Extinguisher	A	204,-	14,-	218,-
Storage tray for water receptacle	A	64,-	13,-	77,-
BL 2, painted	A	1798,-	123,-	1921,-
Fire Extinguisher	A	204,-	14,-	218,-
Storage tray for water receptacle	A	64,-	13,-	77,-
BL 3, painted	A	1798,-	123,-	1921,-
Fire Extinguisher	A	204,-	14,-	218,-
Storage tray for water receptacle	A	64,-	13,-	77,-
Drum Jack Roller Type FHR	Category	Price	Freight charges	Price including freight charges
FHR 600 F, painted	B	3286,-	261,-	3547,-
FHR 600 F, hot-dip galvanized	B	3641,-	261,-	3902,-
FHR 600 G, painted	B	2617,-	180,-	2797,-
FHR 600 G, hot-dip galvanized	B	2888,-	180,-	3068,-
FHR 600 K, painted	B	2617,-	180,-	2797,-
FHR 600 K, hot-dip galvanized	B	2888,-	180,-	3068,-
Drum Trolley Type FP-L	Category	Price	Freight charges	Price including freight charges
FP-L, galvanized	C	624,-	123,-	747,-
Drum Trolley Type FP-V	Category	Price	Freight charges	Price including freight charges
FP-V, galvanized	C	605,-	123,-	728,-
Drum Dolly Type FRW	Category	Price	Freight charges	Price including freight charges
FRW-I, hot-dip galvanized	A	116,-	50,-	166,-
FRW-II, hot-dip galvanized	A	154,-	50,-	204,-
FRW-III, hot-dip galvanized	A	207,-	123,-	330,-
Dolly Type GRW	Category	Price	Freight charges	Price including freight charges
GRW-I, hot-dip galvanized	F	126,-	50,-	176,-
Handle, hot-dip galvanized	F	55,-	10,-	65,-
GRW-II, hot-dip galvanized	F	143,-	50,-	193,-
Handle, hot-dip galvanized	F	55,-	10,-	65,-
GRW-III, hot-dip galvanized	F	179,-	123,-	302,-
Handle, hot-dip galvanized	F	55,-	10,-	65,-
Gas Cylinder Wall Bracket Type GWH	Category	Price	Freight charges	Price including freight charges
GWH 140-I, hot-dip galvanized	F	26,-	50,-	76,-
GWH 140-II, hot-dip galvanized	F	40,-	50,-	90,-

Prices in EUR, valid EXW DE-46354 Südlohn, DE-38820 Halberstadt, unpacked
Freight charges valid CPT Slovenia, islands and oversea territories excluded

Price List 0726 en-SI

Workspace Material Handling



Gas Cylinder Wall Bracket Type GWH	Category	Price	Freight charges	Price including freight charges
GWH 140-III, hot-dip galvanized	F	59,-	50,-	109,-
GWH 230-I, hot-dip galvanized	F	28,-	50,-	78,-
GWH 230-II, hot-dip galvanized	F	43,-	50,-	93,-
GWH 230-III, hot-dip galvanized	F	65,-	50,-	115,-
GWH 320-I, hot-dip galvanized	F	29,-	50,-	79,-
GWH 320-II, hot-dip galvanized	F	48,-	50,-	98,-
GWH 320-III, hot-dip galvanized	F	72,-	50,-	122,-
Fork Lifter Type GZH-A	Category	Price	Freight charges	Price including freight charges
GZH-A, painted	F	114,-	50,-	164,-
Fork Lifter Type GZH-B	Category	Price	Freight charges	Price including freight charges
GZH-B, painted	F	114,-	50,-	164,-
Fork Pallet Type GZP	Category	Price	Freight charges	Price including freight charges
GZP 4, hot-dip galvanized	A	161,-	123,-	284,-
GZP 8, hot-dip galvanized	A	201,-	123,-	324,-
IBC Residue Drainer Type IR	Category	Price	Freight charges	Price including freight charges
IR-1, hot-dip galvanized	A	596,-	123,-	719,-
IR-2, hot-dip galvanized	A	711,-	123,-	834,-
IR-3, hot-dip galvanized	A	596,-	123,-	719,-
Tilting Canister Stand Type KAH	Category	Price	Freight charges	Price including freight charges
KAH-5, galvanized	A	96,-	50,-	146,-
KAH-25, galvanized	A	109,-	50,-	159,-
KAH-60, galvanized	A	140,-	50,-	190,-
Sheet Metal Storage Units With Trays Type KBR	Category	Price	Freight charges	Price including freight charges
KBR 1, painted	A	5985,-	740,-	6725,-
KBR 2, painted	A	6207,-	on request	on request
KBR 3, painted	A	6667,-	on request	on request
Liftomat Type L/E	Category	Price	Freight charges	Price including freight charges
L/E 1300, painted	B	4908,-	261,-	5169,-
L/E 1300, hot-dip galvanized	B	5578,-	261,-	5839,-
Liftomat Type L/M	Category	Price	Freight charges	Price including freight charges
L/M 600, painted	B	3553,-	180,-	3733,-
L/M 600, hot-dip galvanized	B	4025,-	180,-	4205,-
L/M 1300, painted	B	3986,-	261,-	4247,-
L/M 1300, hot-dip galvanized	B	4569,-	261,-	4830,-

Prices in EUR, valid EXW DE-46354 Südlohn, DE-38820 Halberstadt, unpacked
Freight charges valid CPT Slovenia, islands and oversea territories excluded

Price List 0726 en-SI

Workspace Material Handling



Security Cage for Storage Type LBM	Category	Price	Freight charges	Price including freight charges
LBM 1500, hot-dip galvanized	A	2002,-	261,-	2263,-
LBM 3000, hot-dip galvanized	A	2747,-	455,-	3202,-
LBM 4500, hot-dip galvanized	A	3492,-	455,-	3947,-
LBM 6000, hot-dip galvanized	A	4232,-	598,-	4830,-
Wheelie Bin Tipping Station Type MKS	Category	Price	Freight charges	Price including freight charges
MKS-12V, painted	A	3745,-	180,-	3925,-
External Charger for 12 V electro-hydraulic constructions	A	201,-	15,-	216,-
MKS-230V, painted	A	3745,-	180,-	3925,-
Wheelie Bin Tipping Station Type MKS-F	Category	Price	Freight charges	Price including freight charges
MKS-F, painted	A	2459,-	180,-	2639,-
Wheelie Bin Tipping Station Type MKS-H	Category	Price	Freight charges	Price including freight charges
MKS-H, painted	A	2459,-	180,-	2639,-
Stillage Transport Cage Type MTP	Category	Price	Freight charges	Price including freight charges
MTP 2000, hot-dip galvanized	A	2196,-	261,-	2457,-
Tension belt	A	48,-	8,-	56,-
MTP 3000, hot-dip galvanized	A	2774,-	333,-	3107,-
Tension belt	A	48,-	8,-	56,-
Two-Wheeled Pallet Picker Type PZ	Category	Price	Freight charges	Price including freight charges
PZ, hot-dip galvanized	F	456,-	50,-	506,-
Tyre Fitting Equipment Type RM	Category	Price	Freight charges	Price including freight charges
RM, painted	F	458,-	50,-	508,-
Surround for Waste Bins Type SECOMAT	Category	Price	Freight charges	Price including freight charges
S 120-D, powder coated	B	682,-	123,-	805,-
S 120-K, powder coated	B	764,-	123,-	887,-
S 240-D, powder coated	B	782,-	123,-	905,-
S 240-K, powder coated	B	856,-	123,-	979,-
S1100, powder-coated	B	791,-	123,-	914,-
S1100-W, powder-coated	B	1040,-	180,-	1220,-
S1100-WT, powder-coated	B	1305,-	180,-	1485,-
S1100-WTB, powder-coated	B	1408,-	198,-	1606,-
S4USE, powder coated	C	2656,-	261,-	2917,-
Gas Cylinder Pallet Type SFP	Category	Price	Freight charges	Price including freight charges
SFP 4, hot-dip galvanized	C	346,-	123,-	469,-
SFP 8, hot-dip galvanized	C	460,-	180,-	640,-

Prices in EUR, valid EXW DE-46354 Südlohn, DE-38820 Halberstadt, unpacked
Freight charges valid CPT Slovenia, islands and oversea territories excluded

Price List 0726 en-SI

Workspace Material Handling



Loading Support Type VS	Category	Price	Freight charges	Price including freight charges
VS, painted	C	765,-	180,-	945,-

Prices in EUR, valid EXW DE-46354 Südlohn, DE-38820 Halberstadt, unpacked
Freight charges valid CPT Slovenia, islands and oversea territories excluded

Price List 0726 en-SI Environment / Storage

Sump Trays Type SERIES 2000	Category	Price	Freight charges	Price including freight charges
2000, painted	B	250,-	123,-	373,-
2000, hot-dip galvanized	B	288,-	123,-	411,-
2002, painted	B	285,-	123,-	408,-
2002, hot-dip galvanized	B	322,-	123,-	445,-
2008, painted	B	250,-	123,-	373,-
2008, hot-dip galvanized	B	300,-	123,-	423,-
2010, painted	B	301,-	123,-	424,-
Drum Support FA 60-1, hot-dip galvanized	B	109,-	15,-	124,-
Drum Support FA 60-2, hot-dip galvanized	B	118,-	18,-	136,-
Drum Support FA 60-3, hot-dip galvanized	B	138,-	21,-	159,-
Drum Support FA 200-1, hot-dip galvanized	B	118,-	15,-	133,-
Can Shelf Type GR-A, galvanized	B	138,-	50,-	188,-
Can Shelf Type GR-B, galvanized	B	138,-	50,-	188,-
Can Shelf Type GR-C, galvanized	B	138,-	50,-	188,-
2010, hot-dip galvanized	B	351,-	123,-	474,-
Drum Support FA 60-1, hot-dip galvanized	B	109,-	15,-	124,-
Drum Support FA 60-2, hot-dip galvanized	B	118,-	18,-	136,-
Drum Support FA 60-3, hot-dip galvanized	B	138,-	21,-	159,-
Drum Support FA 200-1, hot-dip galvanized	B	118,-	15,-	133,-
Can Shelf Type GR-A, galvanized	B	138,-	50,-	188,-
Can Shelf Type GR-B, galvanized	B	138,-	50,-	188,-
Can Shelf Type GR-C, galvanized	B	138,-	50,-	188,-
2016, painted	B	262,-	123,-	385,-
2016, hot-dip galvanized	B	314,-	123,-	437,-
2018, painted	B	315,-	123,-	438,-
Drum Support FA 60-1, hot-dip galvanized	B	109,-	15,-	124,-
Drum Support FA 60-2, hot-dip galvanized	B	118,-	18,-	136,-
Drum Support FA 60-3, hot-dip galvanized	B	138,-	21,-	159,-
Drum Support FA 200-1, hot-dip galvanized	B	118,-	15,-	133,-
Can Shelf Type GR-A, galvanized	B	138,-	50,-	188,-
Can Shelf Type GR-B, galvanized	B	138,-	50,-	188,-
Can Shelf Type GR-C, galvanized	B	138,-	50,-	188,-
2018, hot-dip galvanized	B	365,-	123,-	488,-
Drum Support FA 60-1, hot-dip galvanized	B	109,-	15,-	124,-
Drum Support FA 60-2, hot-dip galvanized	B	118,-	18,-	136,-
Drum Support FA 60-3, hot-dip galvanized	B	138,-	21,-	159,-
Drum Support FA 200-1, hot-dip galvanized	B	118,-	15,-	133,-
Can Shelf Type GR-A, galvanized	B	138,-	50,-	188,-
Can Shelf Type GR-B, galvanized	B	138,-	50,-	188,-
Can Shelf Type GR-C, galvanized	B	138,-	50,-	188,-
2026, painted	B	262,-	123,-	385,-
2026, hot-dip galvanized	B	310,-	123,-	433,-

Prices in EUR, valid EXW DE-46354 Südlohn, DE-38820 Halberstadt, unpacked
Freight charges valid CPT Slovenia, islands and oversea territories excluded

Price List 0726 en-SI

Environment / Storage



Sump Trays Type SERIES 2000	Category	Price	Freight charges	Price including freight charges
2028, painted	B	366,-	123,-	489,-
Drum Support FA 60-1, hot-dip galvanized	B	109,-	15,-	124,-
Drum Support FA 60-2, hot-dip galvanized	B	118,-	18,-	136,-
Drum Support FA 60-3, hot-dip galvanized	B	138,-	21,-	159,-
Drum Support FA 200-1, hot-dip galvanized	B	118,-	15,-	133,-
Drum Support FA 200-2, hot-dip galvanized	B	138,-	22,-	160,-
Can Shelf Type GR-A, galvanized	B	138,-	50,-	188,-
Can Shelf Type GR-B, galvanized	B	138,-	50,-	188,-
Can Shelf Type GR-C, galvanized	B	138,-	50,-	188,-
2028, hot-dip galvanized	B	412,-	123,-	535,-
Drum Support FA 60-1, hot-dip galvanized	B	109,-	15,-	124,-
Drum Support FA 60-2, hot-dip galvanized	B	118,-	18,-	136,-
Drum Support FA 60-3, hot-dip galvanized	B	138,-	21,-	159,-
Drum Support FA 200-1, hot-dip galvanized	B	118,-	15,-	133,-
Drum Support FA 200-2, hot-dip galvanized	B	138,-	22,-	160,-
Can Shelf Type GR-A, galvanized	B	138,-	50,-	188,-
Can Shelf Type GR-B, galvanized	B	138,-	50,-	188,-
Can Shelf Type GR-C, galvanized	B	138,-	50,-	188,-
2030, painted	B	275,-	123,-	398,-
2030, hot-dip galvanized	B	321,-	123,-	444,-
2032, painted	B	378,-	123,-	501,-
Drum Support FA 60-1, hot-dip galvanized	B	109,-	15,-	124,-
Drum Support FA 60-2, hot-dip galvanized	B	118,-	18,-	136,-
Drum Support FA 60-3, hot-dip galvanized	B	138,-	21,-	159,-
Drum Support FA 200-1, hot-dip galvanized	B	118,-	15,-	133,-
Drum Support FA 200-2, hot-dip galvanized	B	138,-	22,-	160,-
Can Shelf Type GR-A, galvanized	B	138,-	50,-	188,-
Can Shelf Type GR-B, galvanized	B	138,-	50,-	188,-
Can Shelf Type GR-C, galvanized	B	138,-	50,-	188,-
2032, hot-dip galvanized	B	426,-	123,-	549,-
Drum Support FA 60-1, hot-dip galvanized	B	109,-	15,-	124,-
Drum Support FA 60-2, hot-dip galvanized	B	118,-	18,-	136,-
Drum Support FA 60-3, hot-dip galvanized	B	138,-	21,-	159,-
Drum Support FA 200-1, hot-dip galvanized	B	118,-	15,-	133,-
Drum Support FA 200-2, hot-dip galvanized	B	138,-	22,-	160,-
Can Shelf Type GR-A, galvanized	B	138,-	50,-	188,-
Can Shelf Type GR-B, galvanized	B	138,-	50,-	188,-
Can Shelf Type GR-C, galvanized	B	138,-	50,-	188,-
2040, painted	B	351,-	123,-	474,-
2040, hot-dip galvanized	B	426,-	123,-	549,-
2042, painted	B	455,-	180,-	635,-
Drum Support FA 60-1, hot-dip galvanized	B	109,-	15,-	124,-
Drum Support FA 60-2, hot-dip galvanized	B	118,-	18,-	136,-
Drum Support FA 60-3, hot-dip galvanized	B	138,-	21,-	159,-
Can Shelf Type GR-A, galvanized	B	138,-	50,-	188,-
Can Shelf Type GR-B, galvanized	B	138,-	50,-	188,-

Prices in EUR, valid EXW DE-46354 Südlohn, DE-38820 Halberstadt, unpacked
Freight charges valid CPT Slovenia, islands and oversea territories excluded

Price List 0726 en-SI

Environment / Storage



Sump Trays Type SERIES 2000	Category	Price	Freight charges	Price including freight charges
Can Shelf Type GR-C, galvanized	B	138,-	50,-	188,-
2042, hot-dip galvanized	B	529,-	180,-	709,-
Drum Support FA 60-1, hot-dip galvanized	B	109,-	15,-	124,-
Drum Support FA 60-2, hot-dip galvanized	B	118,-	18,-	136,-
Drum Support FA 60-3, hot-dip galvanized	B	138,-	21,-	159,-
Can Shelf Type GR-A, galvanized	B	138,-	50,-	188,-
Can Shelf Type GR-B, galvanized	B	138,-	50,-	188,-
Can Shelf Type GR-C, galvanized	B	138,-	50,-	188,-
2048, painted	B	271,-	123,-	394,-
2048, hot-dip galvanized	B	316,-	123,-	439,-
2050, painted	B	369,-	123,-	492,-
Drum Support FA 60-1, hot-dip galvanized	B	109,-	15,-	124,-
Drum Support FA 60-2, hot-dip galvanized	B	118,-	18,-	136,-
Drum Support FA 60-3, hot-dip galvanized	B	138,-	21,-	159,-
Can Shelf Type GR-A, galvanized	B	138,-	50,-	188,-
Can Shelf Type GR-B, galvanized	B	138,-	50,-	188,-
Can Shelf Type GR-C, galvanized	B	138,-	50,-	188,-
2050, hot-dip galvanized	B	414,-	123,-	537,-
Drum Support FA 60-1, hot-dip galvanized	B	109,-	15,-	124,-
Drum Support FA 60-2, hot-dip galvanized	B	118,-	18,-	136,-
Drum Support FA 60-3, hot-dip galvanized	B	138,-	21,-	159,-
Can Shelf Type GR-A, galvanized	B	138,-	50,-	188,-
Can Shelf Type GR-B, galvanized	B	138,-	50,-	188,-
Can Shelf Type GR-C, galvanized	B	138,-	50,-	188,-
Sump Trays Type SERIES 2000/SW	Category	Price	Freight charges	Price including freight charges
2002/SW, painted	B	427,-	123,-	550,-
2002/SW, hot-dip galvanized	B	464,-	123,-	587,-
2018/SW, painted	B	468,-	180,-	648,-
Drum Support FA 60-1, hot-dip galvanized	B	109,-	15,-	124,-
Drum Support FA 60-2, hot-dip galvanized	B	118,-	18,-	136,-
Drum Support FA 60-3, hot-dip galvanized	B	138,-	21,-	159,-
Drum Support FA 200-1, hot-dip galvanized	B	118,-	15,-	133,-
Can Shelf Type GR-A, galvanized	B	138,-	50,-	188,-
Can Shelf Type GR-B, galvanized	B	138,-	50,-	188,-
Can Shelf Type GR-C, galvanized	B	138,-	50,-	188,-
2018/SW, hot-dip galvanized	B	517,-	180,-	697,-
Drum Support FA 60-1, hot-dip galvanized	B	109,-	15,-	124,-
Drum Support FA 60-2, hot-dip galvanized	B	118,-	18,-	136,-
Drum Support FA 60-3, hot-dip galvanized	B	138,-	21,-	159,-
Drum Support FA 200-1, hot-dip galvanized	B	118,-	15,-	133,-
Can Shelf Type GR-A, galvanized	B	138,-	50,-	188,-
Can Shelf Type GR-B, galvanized	B	138,-	50,-	188,-
Can Shelf Type GR-C, galvanized	B	138,-	50,-	188,-
2032/SW, painted	B	552,-	180,-	732,-
Drum Support FA 60-1, hot-dip galvanized	B	109,-	15,-	124,-

Prices in EUR, valid EXW DE-46354 Südlohn, DE-38820 Halberstadt, unpacked
Freight charges valid CPT Slovenia, islands and oversea territories excluded

Price List 0726 en-SI

Environment / Storage



Sump Trays Type SERIES 2000/SW	Category	Price	Freight charges	Price including freight charges
Drum Support FA 60-2, hot-dip galvanized	B	118,-	18,-	136,-
Drum Support FA 60-3, hot-dip galvanized	B	138,-	21,-	159,-
Drum Support FA 200-1, hot-dip galvanized	B	118,-	15,-	133,-
Drum Support FA 200-2, hot-dip galvanized	B	138,-	22,-	160,-
Can Shelf Type GR-A, galvanized	B	138,-	50,-	188,-
Can Shelf Type GR-B, galvanized	B	138,-	50,-	188,-
Can Shelf Type GR-C, galvanized	B	138,-	50,-	188,-
2032/SW, hot-dip galvanized	B	600,-	180,-	780,-
Drum Support FA 60-1, hot-dip galvanized	B	109,-	15,-	124,-
Drum Support FA 60-2, hot-dip galvanized	B	118,-	18,-	136,-
Drum Support FA 60-3, hot-dip galvanized	B	138,-	21,-	159,-
Drum Support FA 200-1, hot-dip galvanized	B	118,-	15,-	133,-
Drum Support FA 200-2, hot-dip galvanized	B	138,-	22,-	160,-
Can Shelf Type GR-A, galvanized	B	138,-	50,-	188,-
Can Shelf Type GR-B, galvanized	B	138,-	50,-	188,-
Can Shelf Type GR-C, galvanized	B	138,-	50,-	188,-
2042/SW, painted	B	685,-	233,-	918,-
Drum Support FA 60-1, hot-dip galvanized	B	109,-	15,-	124,-
Drum Support FA 60-2, hot-dip galvanized	B	118,-	18,-	136,-
Drum Support FA 60-3, hot-dip galvanized	B	138,-	21,-	159,-
Can Shelf Type GR-A, galvanized	B	138,-	50,-	188,-
Can Shelf Type GR-B, galvanized	B	138,-	50,-	188,-
Can Shelf Type GR-C, galvanized	B	138,-	50,-	188,-
2042/SW, hot-dip galvanized	B	760,-	233,-	993,-
Drum Support FA 60-1, hot-dip galvanized	B	109,-	15,-	124,-
Drum Support FA 60-2, hot-dip galvanized	B	118,-	18,-	136,-
Drum Support FA 60-3, hot-dip galvanized	B	138,-	21,-	159,-
Can Shelf Type GR-A, galvanized	B	138,-	50,-	188,-
Can Shelf Type GR-B, galvanized	B	138,-	50,-	188,-
Can Shelf Type GR-C, galvanized	B	138,-	50,-	188,-
Mobile Sump Trays Type SERIES 2000	Category	Price	Freight charges	Price including freight charges
2004, painted	B	590,-	123,-	713,-
Fixture and Tension Belt for 1 x 200 Litre Drum	B	48,-	9,-	57,-
2004, hot-dip galvanized	B	657,-	123,-	780,-
Fixture and Tension Belt for 1 x 200 Litre Drum	B	48,-	9,-	57,-
2020, painted	B	656,-	123,-	779,-
Fixture and Tension Belt for 2 x 200 Litre Drums	B	48,-	9,-	57,-
2020, hot-dip galvanized	B	717,-	123,-	840,-
Fixture and Tension Belt for 2 x 200 Litre Drums	B	48,-	9,-	57,-
2050 SR, painted	B	709,-	123,-	832,-
Fixture and Tension Belt for 3 x 200 Litre Drums	B	48,-	9,-	57,-
2050 SR, hot-dip galvanized	B	766,-	180,-	946,-
Fixture and Tension Belt for 3 x 200 Litre Drums	B	48,-	9,-	57,-

Prices in EUR, valid EXW DE-46354 Südlohn, DE-38820 Halberstadt, unpacked
Freight charges valid CPT Slovenia, islands and oversea territories excluded

Price List 0726 en-SI

Environment / Storage



Drum Shelves with Sump Trays Type SERIES 3000	Category	Price	Freight charges	Price including freight charges
3000, hot-dip galvanized	B	1091,-	180,-	1271,-
Retainer Bar	B	48,-	12,-	60,-
Rotating Support RA 200, hot-dip galvanized	B	97,-	10,-	107,-
Can Stand Type GS, hot-dip galvanized	B	65,-	18,-	83,-
Crash Guard	B	75,-	9,-	84,-
3001, hot-dip galvanized	B	919,-	180,-	1099,-
Retainer Bar	B	48,-	12,-	60,-
Rotating Support RA 200, hot-dip galvanized	B	97,-	10,-	107,-
Can Stand Type GS, hot-dip galvanized	B	65,-	18,-	83,-
Crash Guard	B	75,-	9,-	84,-
3002, hot-dip galvanized	B	1299,-	233,-	1532,-
Retainer Bar	B	48,-	12,-	60,-
Rotating Support RA 200, hot-dip galvanized	B	97,-	10,-	107,-
Can Stand Type GS, hot-dip galvanized	B	65,-	18,-	83,-
Crash Guard	B	75,-	9,-	84,-
3003, hot-dip galvanized	B	1101,-	233,-	1334,-
Retainer Bar	B	48,-	12,-	60,-
Rotating Support RA 200, hot-dip galvanized	B	97,-	10,-	107,-
Can Stand Type GS, hot-dip galvanized	B	65,-	18,-	83,-
Crash Guard	B	75,-	9,-	84,-
3004, hot-dip galvanized	B	1344,-	180,-	1524,-
Retainer Bar	B	48,-	12,-	60,-
Rotating Support RA 60, hot-dip galvanized	B	97,-	9,-	106,-
Can Stand Type GS, hot-dip galvanized	B	65,-	18,-	83,-
Crash Guard	B	75,-	9,-	84,-
3005, hot-dip galvanized	B	1216,-	180,-	1396,-
Retainer Bar	B	48,-	12,-	60,-
Rotating Support RA 60, hot-dip galvanized	B	97,-	9,-	106,-
Can Stand Type GS, hot-dip galvanized	B	65,-	18,-	83,-
Crash Guard	B	75,-	9,-	84,-
3006, hot-dip galvanized	B	1697,-	313,-	2010,-
Retainer Bar	B	48,-	12,-	60,-
Rotating Support RA 60, hot-dip galvanized	B	97,-	9,-	106,-
Can Stand Type GS, hot-dip galvanized	B	65,-	18,-	83,-
Crash Guard	B	75,-	9,-	84,-
3007, hot-dip galvanized	B	1449,-	233,-	1682,-
Retainer Bar	B	48,-	12,-	60,-
Rotating Support RA 60, hot-dip galvanized	B	97,-	9,-	106,-
Can Stand Type GS, hot-dip galvanized	B	65,-	18,-	83,-
Crash Guard	B	75,-	9,-	84,-
3010, hot-dip galvanized	B	1288,-	233,-	1521,-
Retainer Bar	B	48,-	12,-	60,-
Rotating Support RA 200, hot-dip galvanized	B	97,-	10,-	107,-
Can Stand Type GS, hot-dip galvanized	B	65,-	18,-	83,-
Crash Guard	B	75,-	9,-	84,-
3011, hot-dip galvanized	B	1071,-	233,-	1304,-

Prices in EUR, valid EXW DE-46354 Südlohn, DE-38820 Halberstadt, unpacked
Freight charges valid CPT Slovenia, islands and oversea territories excluded

Price List 0726 en-SI

Environment / Storage



Drum Shelves with Sump Trays Type SERIES 3000	Category	Price	Freight charges	Price including freight charges
Retainer Bar	B	48,-	12,-	60,-
Rotating Support RA 200, hot-dip galvanized	B	97,-	10,-	107,-
Can Stand Type GS, hot-dip galvanized	B	65,-	18,-	83,-
Crash Guard	B	75,-	9,-	84,-

Small Can Shelves with Sumps Type SERIES 3000	Category	Price	Freight charges	Price including freight charges
3017-4E, galvanized	B	478,-	123,-	601,-
3018-4E, galvanized	B	397,-	123,-	520,-
3019-4E, galvanized	B	576,-	180,-	756,-
3020-4E, galvanized	B	493,-	180,-	673,-
3021-4E, galvanized	B	719,-	180,-	899,-
3022-4E, galvanized	B	626,-	123,-	749,-
3023-4E, galvanized	B	1162,-	233,-	1395,-
3024-4E, galvanized	B	968,-	233,-	1201,-

Shelves Type AG	Category	Price	Freight charges	Price including freight charges
AG 60-1, hot-dip galvanized	B	112,-	12,-	124,-
AG 60-2, hot-dip galvanized	B	117,-	14,-	131,-
AG 60-3, hot-dip galvanized	B	126,-	15,-	141,-

Sump Tray Type AM	Category	Price	Freight charges	Price including freight charges
AM-1, painted	B	335,-	123,-	458,-
AM-1, hot-dip galvanized	B	379,-	123,-	502,-
AM-2, painted	B	370,-	123,-	493,-
Drum Support FA 60-1, hot-dip galvanized	B	109,-	15,-	124,-
Drum Support FA 60-2, hot-dip galvanized	B	118,-	18,-	136,-
Drum Support FA 60-3, hot-dip galvanized	B	138,-	21,-	159,-
Drum Support FA 200-1, hot-dip galvanized	B	118,-	15,-	133,-
Can Shelf Type GR-A, galvanized	B	138,-	50,-	188,-
Can Shelf Type GR-B, galvanized	B	138,-	50,-	188,-
Can Shelf Type GR-C, galvanized	B	138,-	50,-	188,-
AM-2, hot-dip galvanized	B	427,-	123,-	550,-
Drum Support FA 60-1, hot-dip galvanized	B	109,-	15,-	124,-
Drum Support FA 60-2, hot-dip galvanized	B	118,-	18,-	136,-
Drum Support FA 60-3, hot-dip galvanized	B	138,-	21,-	159,-
Drum Support FA 200-1, hot-dip galvanized	B	118,-	15,-	133,-
Can Shelf Type GR-A, galvanized	B	138,-	50,-	188,-
Can Shelf Type GR-B, galvanized	B	138,-	50,-	188,-
Can Shelf Type GR-C, galvanized	B	138,-	50,-	188,-
AM-4/A, painted	B	443,-	123,-	566,-
Drum Support FA 60-1, hot-dip galvanized	B	109,-	15,-	124,-
Drum Support FA 60-2, hot-dip galvanized	B	118,-	18,-	136,-
Drum Support FA 60-3, hot-dip galvanized	B	138,-	21,-	159,-
Drum Support FA 200-1, hot-dip galvanized	B	118,-	15,-	133,-
Drum Support FA 200-2, hot-dip galvanized	B	138,-	22,-	160,-

Prices in EUR, valid EXW DE-46354 Südlohn, DE-38820 Halberstadt, unpacked
Freight charges valid CPT Slovenia, islands and oversea territories excluded

Price List 0726 en-SI

Environment / Storage



Sump Tray Type AM	Category	Price	Freight charges	Price including freight charges
Can Shelf Type GR-A, galvanized	B	138,-	50,-	188,-
Can Shelf Type GR-B, galvanized	B	138,-	50,-	188,-
Can Shelf Type GR-C, galvanized	B	138,-	50,-	188,-
AM-4/A, hot-dip galvanized	B	499,-	180,-	679,-
Drum Support FA 60-1, hot-dip galvanized	B	109,-	15,-	124,-
Drum Support FA 60-2, hot-dip galvanized	B	118,-	18,-	136,-
Drum Support FA 60-3, hot-dip galvanized	B	138,-	21,-	159,-
Drum Support FA 200-1, hot-dip galvanized	B	118,-	15,-	133,-
Drum Support FA 200-2, hot-dip galvanized	B	138,-	22,-	160,-
Can Shelf Type GR-A, galvanized	B	138,-	50,-	188,-
Can Shelf Type GR-B, galvanized	B	138,-	50,-	188,-
Can Shelf Type GR-C, galvanized	B	138,-	50,-	188,-
AM-4/B, painted	B	532,-	180,-	712,-
Drum Support FA 60-1, hot-dip galvanized	B	109,-	15,-	124,-
Drum Support FA 60-2, hot-dip galvanized	B	118,-	18,-	136,-
Drum Support FA 60-3, hot-dip galvanized	B	138,-	21,-	159,-
Can Shelf Type GR-A, galvanized	B	138,-	50,-	188,-
Can Shelf Type GR-B, galvanized	B	138,-	50,-	188,-
Can Shelf Type GR-C, galvanized	B	138,-	50,-	188,-
AM-4/B, hot-dip galvanized	B	624,-	180,-	804,-
Drum Support FA 60-1, hot-dip galvanized	B	109,-	15,-	124,-
Drum Support FA 60-2, hot-dip galvanized	B	118,-	18,-	136,-
Drum Support FA 60-3, hot-dip galvanized	B	138,-	21,-	159,-
Can Shelf Type GR-A, galvanized	B	138,-	50,-	188,-
Can Shelf Type GR-B, galvanized	B	138,-	50,-	188,-
Can Shelf Type GR-C, galvanized	B	138,-	50,-	188,-
Sump Tray Type AO	Category	Price	Freight charges	Price including freight charges
AO-1, painted	B	292,-	123,-	415,-
AO-1, hot-dip galvanized	B	337,-	123,-	460,-
AO-2, painted	B	310,-	123,-	433,-
AO-2, hot-dip galvanized	B	367,-	123,-	490,-
AO-4/A, painted	B	322,-	123,-	445,-
AO-4/A, hot-dip galvanized	B	378,-	123,-	501,-
AO-4/B, painted	B	412,-	123,-	535,-
AO-4/B, hot-dip galvanized	B	500,-	123,-	623,-
Sump Tray Type AW	Category	Price	Freight charges	Price including freight charges
AW 450, painted	B	641,-	180,-	821,-
AW 450, hot-dip galvanized	B	795,-	180,-	975,-
AW 800, painted	B	667,-	180,-	847,-
AW 800, hot-dip galvanized	B	831,-	180,-	1011,-
AW 1000, painted	B	672,-	180,-	852,-
AW 1000, hot-dip galvanized	B	838,-	180,-	1018,-
AW 1000-2, painted	B	861,-	313,-	1174,-

Prices in EUR, valid EXW DE-46354 Südlohn, DE-38820 Halberstadt, unpacked
Freight charges valid CPT Slovenia, islands and oversea territories excluded

Price List 0726 en-SI

Environment / Storage



Sump Tray Type AW	Category	Price	Freight charges	Price including freight charges
AW 1000-2, hot-dip galvanized	B	966,-	313,-	1279,-
AW 1000-3, painted	B	1524,-	313,-	1837,-
AW 1000-3, hot-dip galvanized	B	1641,-	386,-	2027,-
AW 1000-10F, painted	B	1032,-	313,-	1345,-
AW 1000-10F, hot-dip galvanized	B	1195,-	313,-	1508,-

Sump Tray Type AW/SW	Category	Price	Freight charges	Price including freight charges
AW 450/SW, painted	B	844,-	180,-	1024,-
AW 450/SW, hot-dip galvanized	B	998,-	261,-	1259,-
AW 800/SW, painted	B	869,-	261,-	1130,-
AW 800/SW, hot-dip galvanized	B	1032,-	261,-	1293,-
AW 1000/SW, painted	B	874,-	261,-	1135,-
AW 1000/SW, hot-dip galvanized	B	1042,-	261,-	1303,-
AW 1000-2/SW, painted	B	1091,-	313,-	1404,-
AW 1000-2/SW, hot-dip galvanized	B	1196,-	386,-	1582,-
AW 1000-3/SW, painted	B	1787,-	on request	on request
AW 1000-3/SW, hot-dip galvanized	B	2121,-	on request	on request
AW 1000-10F/SW, painted	B	1387,-	386,-	1773,-
AW 1000-10F/SW, hot-dip galvanized	B	1548,-	386,-	1934,-

Mobile Sump Tray AW 60-1 SR	Category	Price	Freight charges	Price including freight charges
AW 60-1 SR, painted	B	325,-	123,-	448,-
Fixture and Tension belt for 2 x 60 Litre Drums	B	45,-	8,-	53,-
AW 60-1 SR, hot-dip galvanized	B	345,-	123,-	468,-
Fixture and Tension belt for 2 x 60 Litre Drums	B	45,-	8,-	53,-

Mobile Sump Tray AW 60-1 SRF	Category	Price	Freight charges	Price including freight charges
AW 60-1 SRF, painted	B	429,-	123,-	552,-
AW 60-1 SRF, hot-dip galvanized	B	451,-	123,-	574,-

Sump Tray Type AW 60	Category	Price	Freight charges	Price including freight charges
AW 60-1, painted	B	176,-	50,-	226,-
Grid GR 60-1, hot-dip galvanized	B	23,-	8,-	31,-
Drum Support FA 60-A, galvanized	B	25,-	8,-	33,-
Rotating Support RA 60-A, hot-dip galvanized	B	97,-	9,-	106,-
AG 60-1, hot-dip galvanized	B	112,-	12,-	124,-
Canister Stand AB, galvanized	B	19,-	8,-	27,-
Castor Set, polyamide, Load capacity 375 kg / castor set	B	86,-	15,-	101,-
AW 60-1, hot-dip galvanized	B	189,-	50,-	239,-
Grid GR 60-1, hot-dip galvanized	B	23,-	8,-	31,-
Drum Support FA 60-A, galvanized	B	25,-	8,-	33,-
Rotating Support RA 60-A, hot-dip galvanized	B	97,-	9,-	106,-
AG 60-1, hot-dip galvanized	B	112,-	12,-	124,-
Canister Stand AB, galvanized	B	19,-	8,-	27,-
Castor Set, polyamide, Load capacity 375 kg / castor set	B	86,-	15,-	101,-

Prices in EUR, valid EXW DE-46354 Südlohn, DE-38820 Halberstadt, unpacked
 Freight charges valid CPT Slovenia, islands and oversea territories excluded

Price List 0726 en-SI

Environment / Storage



Sump Tray Type AW 60	Category	Price	Freight charges	Price including freight charges
AW 60-2, painted	B	177,-	123,-	300,-
Grid GR 60-2, hot-dip galvanized	B	27,-	12,-	39,-
Drum Support FA 60-A, galvanized	B	25,-	8,-	33,-
Rotating Support RA 60-A, hot-dip galvanized	B	97,-	9,-	106,-
AG 60-2, hot-dip galvanized	B	117,-	14,-	131,-
Canister Stand AB, galvanized	B	19,-	8,-	27,-
Castor Set, polyamide, Load capacity 375 kg / castor set	B	86,-	15,-	101,-
AW 60-2, hot-dip galvanized	B	195,-	123,-	318,-
Grid GR 60-2, hot-dip galvanized	B	27,-	12,-	39,-
Drum Support FA 60-A, galvanized	B	25,-	8,-	33,-
Rotating Support RA 60-A, hot-dip galvanized	B	97,-	9,-	106,-
AG 60-2, hot-dip galvanized	B	117,-	14,-	131,-
Canister Stand AB, galvanized	B	19,-	8,-	27,-
Castor Set, polyamide, Load capacity 375 kg / castor set	B	86,-	15,-	101,-
AW 60-3, painted	B	193,-	123,-	316,-
Grid GR 60-3, hot-dip galvanized	B	40,-	14,-	54,-
Drum Support FA 60-A, galvanized	B	25,-	8,-	33,-
Rotating Support RA 60-A, hot-dip galvanized	B	97,-	9,-	106,-
AG 60-3, hot-dip galvanized	B	126,-	15,-	141,-
Canister Stand AB, galvanized	B	19,-	8,-	27,-
Castor Set, polyamide, Load capacity 375 kg / castor set	B	86,-	15,-	101,-
AW 60-3, hot-dip galvanized	B	217,-	123,-	340,-
Grid GR 60-3, hot-dip galvanized	B	40,-	14,-	54,-
Drum Support FA 60-A, galvanized	B	25,-	8,-	33,-
Rotating Support RA 60-A, hot-dip galvanized	B	97,-	9,-	106,-
AG 60-3, hot-dip galvanized	B	126,-	15,-	141,-
Canister Stand AB, galvanized	B	19,-	8,-	27,-
Castor Set, polyamide, Load capacity 375 kg / castor set	B	86,-	15,-	101,-

Sump Tray Type AW 60/M	Category	Price	Freight charges	Price including freight charges
AW 60-1/M, painted	B	196,-	123,-	319,-
Drum Support FA 60-A, galvanized	B	25,-	8,-	33,-
Rotating Support RA 60-A, hot-dip galvanized	B	97,-	9,-	106,-
AG 60-1, hot-dip galvanized	B	112,-	12,-	124,-
Canister Stand AB, galvanized	B	19,-	8,-	27,-
Castor Set, polyamide, Load capacity 375 kg / castor set	B	86,-	15,-	101,-
AW 60-1/M, hot-dip galvanized	B	211,-	123,-	334,-
Drum Support FA 60-A, galvanized	B	25,-	8,-	33,-
Rotating Support RA 60-A, hot-dip galvanized	B	97,-	9,-	106,-
AG 60-1, hot-dip galvanized	B	112,-	12,-	124,-
Canister Stand AB, galvanized	B	19,-	8,-	27,-
Castor Set, polyamide, Load capacity 375 kg / castor set	B	86,-	15,-	101,-
AW 60-2/M, painted	B	203,-	123,-	326,-
Drum Support FA 60-A, galvanized	B	25,-	8,-	33,-
Drum Support FA 60-2, hot-dip galvanized	B	118,-	18,-	136,-
Rotating Support RA 60-A, hot-dip galvanized	B	97,-	9,-	106,-

Prices in EUR, valid EXW DE-46354 Südlohn, DE-38820 Halberstadt, unpacked
 Freight charges valid CPT Slovenia, islands and oversea territories excluded

Price List 0726 en-SI

Environment / Storage



Sump Tray Type AW 60/M	Category	Price	Freight charges	Price including freight charges
AG 60-2, hot-dip galvanized	B	117,-	14,-	131,-
Canister Stand AB, galvanized	B	19,-	8,-	27,-
Castor Set, polyamide, Load capacity 375 kg / castor set	B	86,-	15,-	101,-
AW 60-2/M, hot-dip galvanized	B	221,-	123,-	344,-
Drum Support FA 60-A, galvanized	B	25,-	8,-	33,-
Drum Support FA 60-2, hot-dip galvanized	B	118,-	18,-	136,-
Rotating Support RA 60-A, hot-dip galvanized	B	97,-	9,-	106,-
AG 60-2, hot-dip galvanized	B	117,-	14,-	131,-
Canister Stand AB, galvanized	B	19,-	8,-	27,-
Castor Set, polyamide, Load capacity 375 kg / castor set	B	86,-	15,-	101,-
AW 60-3/M, painted	B	232,-	123,-	355,-
Drum Support FA 60-A, galvanized	B	25,-	8,-	33,-
Drum Support FA 60-2, hot-dip galvanized	B	118,-	18,-	136,-
Drum Support FA 60-3, hot-dip galvanized	B	138,-	21,-	159,-
Rotating Support RA 60-A, hot-dip galvanized	B	97,-	9,-	106,-
AG 60-3, hot-dip galvanized	B	126,-	15,-	141,-
Canister Stand AB, galvanized	B	19,-	8,-	27,-
Castor Set, polyamide, Load capacity 375 kg / castor set	B	86,-	15,-	101,-
AW 60-3/M, hot-dip galvanized	B	254,-	123,-	377,-
Drum Support FA 60-A, galvanized	B	25,-	8,-	33,-
Drum Support FA 60-2, hot-dip galvanized	B	118,-	18,-	136,-
Drum Support FA 60-3, hot-dip galvanized	B	138,-	21,-	159,-
Rotating Support RA 60-A, hot-dip galvanized	B	97,-	9,-	106,-
AG 60-3, hot-dip galvanized	B	126,-	15,-	141,-
Canister Stand AB, galvanized	B	19,-	8,-	27,-
Castor Set, polyamide, Load capacity 375 kg / castor set	B	86,-	15,-	101,-

Sump Tray Type AW/PE	Category	Price	Freight charges	Price including freight charges
AW-1/PE, painted	B	658,-	123,-	781,-
AW-1/PE, hot-dip galvanized	B	688,-	123,-	811,-
AW-2/PE, painted	B	721,-	123,-	844,-
Drum Support FA 60-1, hot-dip galvanized	B	109,-	15,-	124,-
Drum Support FA 60-2, hot-dip galvanized	B	118,-	18,-	136,-
Drum Support FA 60-3, hot-dip galvanized	B	138,-	21,-	159,-
Drum Support FA 200-1, hot-dip galvanized	B	118,-	15,-	133,-
Can Shelf Type GR-A, galvanized	B	138,-	50,-	188,-
Can Shelf Type GR-B, galvanized	B	138,-	50,-	188,-
Can Shelf Type GR-C, galvanized	B	138,-	50,-	188,-
AW-2/PE, hot-dip galvanized	B	757,-	123,-	880,-
Drum Support FA 60-1, hot-dip galvanized	B	109,-	15,-	124,-
Drum Support FA 60-2, hot-dip galvanized	B	118,-	18,-	136,-
Drum Support FA 60-3, hot-dip galvanized	B	138,-	21,-	159,-
Drum Support FA 200-1, hot-dip galvanized	B	118,-	15,-	133,-
Can Shelf Type GR-A, galvanized	B	138,-	50,-	188,-
Can Shelf Type GR-B, galvanized	B	138,-	50,-	188,-
Can Shelf Type GR-C, galvanized	B	138,-	50,-	188,-

Prices in EUR, valid EXW DE-46354 Südlohn, DE-38820 Halberstadt, unpacked
 Freight charges valid CPT Slovenia, islands and oversea territories excluded

Price List 0726 en-SI

Environment / Storage



Sump Tray Type AW/PE	Category	Price	Freight charges	Price including freight charges
AW-4/A/PE, painted	B	818,-	180,-	998,-
Drum Support FA 60-1, hot-dip galvanized	B	109,-	15,-	124,-
Drum Support FA 60-2, hot-dip galvanized	B	118,-	18,-	136,-
Drum Support FA 60-3, hot-dip galvanized	B	138,-	21,-	159,-
Drum Support FA 200-1, hot-dip galvanized	B	118,-	15,-	133,-
Drum Support FA 200-2, hot-dip galvanized	B	138,-	22,-	160,-
Can Shelf Type GR-A, galvanized	B	138,-	50,-	188,-
Can Shelf Type GR-B, galvanized	B	138,-	50,-	188,-
Can Shelf Type GR-C, galvanized	B	138,-	50,-	188,-
AW-4/A/PE, hot-dip galvanized	B	859,-	180,-	1039,-
Drum Support FA 60-1, hot-dip galvanized	B	109,-	15,-	124,-
Drum Support FA 60-2, hot-dip galvanized	B	118,-	18,-	136,-
Drum Support FA 60-3, hot-dip galvanized	B	138,-	21,-	159,-
Drum Support FA 200-1, hot-dip galvanized	B	118,-	15,-	133,-
Drum Support FA 200-2, hot-dip galvanized	B	138,-	22,-	160,-
Can Shelf Type GR-A, galvanized	B	138,-	50,-	188,-
Can Shelf Type GR-B, galvanized	B	138,-	50,-	188,-
Can Shelf Type GR-C, galvanized	B	138,-	50,-	188,-
AW-4/B/PE, painted	B	1021,-	233,-	1254,-
Drum Support FA 60-1, hot-dip galvanized	B	109,-	15,-	124,-
Drum Support FA 60-2, hot-dip galvanized	B	118,-	18,-	136,-
Drum Support FA 60-3, hot-dip galvanized	B	138,-	21,-	159,-
Can Shelf Type GR-A, galvanized	B	138,-	50,-	188,-
Can Shelf Type GR-B, galvanized	B	138,-	50,-	188,-
Can Shelf Type GR-C, galvanized	B	138,-	50,-	188,-
AW-4/B/PE, hot-dip galvanized	B	1096,-	233,-	1329,-
Drum Support FA 60-1, hot-dip galvanized	B	109,-	15,-	124,-
Drum Support FA 60-2, hot-dip galvanized	B	118,-	18,-	136,-
Drum Support FA 60-3, hot-dip galvanized	B	138,-	21,-	159,-
Can Shelf Type GR-A, galvanized	B	138,-	50,-	188,-
Can Shelf Type GR-B, galvanized	B	138,-	50,-	188,-
Can Shelf Type GR-C, galvanized	B	138,-	50,-	188,-
AW 1000/PE, painted	B	1386,-	261,-	1647,-
AW 1000/PE, hot-dip galvanized	B	1575,-	261,-	1836,-
AW 1000-2/PE, painted	B	1700,-	313,-	2013,-
AW 1000-2/PE, hot-dip galvanized	B	1818,-	313,-	2131,-
Sump Trays AW 8-12	Category	Price	Freight charges	Price including freight charges
AW-8, painted	B	732,-	233,-	965,-
AW-8, hot-dip galvanized	B	815,-	313,-	1128,-
AW-10, painted	B	904,-	313,-	1217,-
AW-10, hot-dip galvanized	B	1239,-	313,-	1552,-
AW-12, painted	B	1035,-	313,-	1348,-
AW-12, hot-dip galvanized	B	1431,-	313,-	1744,-

Prices in EUR, valid EXW DE-46354 Südlohn, DE-38820 Halberstadt, unpacked
Freight charges valid CPT Slovenia, islands and oversea territories excluded

Price List 0726 en-SI

Environment / Storage



Sump Tray Type AWA	Category	Price	Freight charges	Price including freight charges
AWA 1000, painted	B	864,-	180,-	1044,-
AWA 1000, hot-dip galvanized	B	1045,-	261,-	1306,-
AWA 1000-2, painted	B	1239,-	313,-	1552,-
AWA 1000-2, hot-dip galvanized	B	1374,-	313,-	1687,-
AWA 1000-3, painted	B	2254,-	386,-	2640,-
AWA 1000-3, hot-dip galvanized	B	2385,-	513,-	2898,-
AWA 21, painted	B	1048,-	313,-	1361,-
AWA 21, hot-dip galvanized	B	1182,-	313,-	1495,-
AWA 31, painted	B	1956,-	386,-	2342,-
AWA 31, hot-dip galvanized	B	2077,-	386,-	2463,-
AWA 32, painted	B	2127,-	386,-	2513,-
AWA 32, hot-dip galvanized	B	2250,-	386,-	2636,-

Sump Tray Type AWA/SW	Category	Price	Freight charges	Price including freight charges
AWA 1000/SW, painted	B	1064,-	261,-	1325,-
AWA 1000/SW, hot-dip galvanized	B	1246,-	261,-	1507,-
AWA 1000-2/SW, painted	B	1472,-	386,-	1858,-
AWA 1000-2/SW, hot-dip galvanized	B	1605,-	386,-	1991,-
AWA 1000-3/SW, painted	B	2518,-	on request	on request
AWA 1000-3/SW, hot-dip galvanized	B	2648,-	on request	on request
AWA 21/SW, painted	B	1278,-	386,-	1664,-
AWA 21/SW, hot-dip galvanized	B	1413,-	386,-	1799,-
AWA 31/SW, painted	B	2217,-	on request	on request
AWA 31/SW, hot-dip galvanized	B	2339,-	on request	on request
AWA 32/SW, painted	B	2388,-	on request	on request
AWA 32/SW, hot-dip galvanized	B	2512,-	on request	on request

Sump Tray Type AW-F	Category	Price	Freight charges	Price including freight charges
AW-F 1, painted	B	657,-	123,-	780,-
Fixture and Tension Belt for 1 x 200 Litre Drum	B	48,-	9,-	57,-
AW-F 1, hot-dip galvanized	B	780,-	123,-	903,-
Fixture and Tension Belt for 1 x 200 Litre Drum	B	48,-	9,-	57,-
AW-F 2, painted	B	688,-	123,-	811,-
Fixture and Tension Belt for 2 x 200 Litre Drums	B	48,-	9,-	57,-
AW-F 2, hot-dip galvanized	B	842,-	123,-	965,-
Fixture and Tension Belt for 2 x 200 Litre Drums	B	48,-	9,-	57,-

Ground Protection Spill Tray Type BSW	Category	Price	Freight charges	Price including freight charges
BSW 21, galvanized	B	449,-	180,-	629,-
Access Ramp AR 21, galvanized	B	166,-	22,-	188,-
Access Corner Piece AE 24, galvanized	B	130,-	10,-	140,-
Cross-Shaped Connector KV 24, galvanized	B	20,-	8,-	28,-
Tray Connecting Strip WV 21, galvanized	B	22,-	8,-	30,-
BSW 22, galvanized	B	590,-	180,-	770,-
Access Ramp AR 21, galvanized	B	166,-	22,-	188,-

Prices in EUR, valid EXW DE-46354 Südlohn, DE-38820 Halberstadt, unpacked
Freight charges valid CPT Slovenia, islands and oversea territories excluded

Price List 0726 en-SI

Environment / Storage



Ground Protection Spill Tray Type BSW	Category	Price	Freight charges	Price including freight charges
Access Ramp AR 22, galvanized	B	211,-	32,-	243,-
Access Corner Piece AE 24, galvanized	B	130,-	10,-	140,-
Cross-Shaped Connector KV 24, galvanized	B	20,-	8,-	28,-
Tray Connecting Strip WV 21, galvanized	B	22,-	8,-	30,-
Tray Connecting Strip WV 22, galvanized	B	24,-	8,-	32,-
BSW 23, galvanized	B	764,-	224,-	988,-
Access Ramp AR 23, galvanized	B	300,-	176,-	476,-
Access Ramp AR 21, galvanized	B	166,-	22,-	188,-
Access Corner Piece AE 24, galvanized	B	130,-	10,-	140,-
Cross-Shaped Connector KV 24, galvanized	B	20,-	8,-	28,-
Tray Connecting Strip WV 21, galvanized	B	22,-	8,-	30,-
Tray Connecting Strip WV 23, galvanized	B	37,-	9,-	46,-
BSW 24, galvanized	B	1341,-	275,-	1616,-
Access Ramp AR 23, galvanized	B	300,-	176,-	476,-
Access Ramp AR 22, galvanized	B	211,-	32,-	243,-
Access Corner Piece AE 24, galvanized	B	130,-	10,-	140,-
Cross-Shaped Connector KV 24, galvanized	B	20,-	8,-	28,-
Tray Connecting Strip WV 22, galvanized	B	24,-	8,-	32,-
Tray Connecting Strip WV 23, galvanized	B	37,-	9,-	46,-
BSW 121, galvanized	B	199,-	50,-	249,-
Access Ramp AR 121, galvanized	B	163,-	22,-	185,-
Cross-Shaped Connector KV 24, galvanized	B	20,-	8,-	28,-
Tray Connecting Strip WV 121, galvanized	B	21,-	9,-	30,-
BSW 122, galvanized	B	243,-	123,-	366,-
Access Ramp AR 121, galvanized	B	163,-	22,-	185,-
Access Ramp AR 122, galvanized	B	275,-	36,-	311,-
Access Corner Piece AE 124, galvanized	B	261,-	21,-	282,-
Cross-Shaped Connector KV 24, galvanized	B	20,-	8,-	28,-
Tray Connecting Strip WV 121, galvanized	B	21,-	9,-	30,-
Tray Connecting Strip WV 122, galvanized	B	26,-	9,-	35,-
BSW 123, galvanized	B	339,-	123,-	462,-
Access Ramp AR 122, galvanized	B	275,-	36,-	311,-
Access Corner Piece AE 124, galvanized	B	261,-	21,-	282,-
Cross-Shaped Connector KV 24, galvanized	B	20,-	8,-	28,-
Tray Connecting Strip WV 122, galvanized	B	26,-	9,-	35,-
BSW 124, galvanized	B	553,-	180,-	733,-
Access Ramp AR 122, galvanized	B	275,-	36,-	311,-
Access Ramp AR 123, galvanized	B	338,-	180,-	518,-
Access Corner Piece AE 124, galvanized	B	261,-	21,-	282,-
Cross-Shaped Connector KV 24, galvanized	B	20,-	8,-	28,-
Tray Connecting Strip WV 122, galvanized	B	26,-	9,-	35,-
Tray Connecting Strip WV 123, galvanized	B	36,-	9,-	45,-
BSW 125, galvanized	B	426,-	233,-	659,-
Access Ramp AR 121, galvanized	B	163,-	22,-	185,-
Access Ramp AR 124, galvanized	B	392,-	233,-	625,-
Access Corner Piece AE 124, galvanized	B	261,-	21,-	282,-

Prices in EUR, valid EXW DE-46354 Südlohn, DE-38820 Halberstadt, unpacked
Freight charges valid CPT Slovenia, islands and oversea territories excluded

Price List 0726 en-SI

Environment / Storage



Ground Protection Spill Tray Type BSW	Category	Price	Freight charges	Price including freight charges
Cross-Shaped Connector KV 24, galvanized	B	20,-	8,-	28,-
Tray Connecting Strip WV 121, galvanized	B	21,-	9,-	30,-
Tray Connecting Strip WV 124, galvanized	B	49,-	9,-	58,-
BSW 126, galvanized	B	668,-	313,-	981,-
Access Ramp AR 122, galvanized	B	275,-	36,-	311,-
Access Ramp AR 124, galvanized	B	392,-	233,-	625,-
Access Corner Piece AE 124, galvanized	B	261,-	21,-	282,-
Cross-Shaped Connector KV 24, galvanized	B	20,-	8,-	28,-
Tray Connecting Strip WV 122, galvanized	B	26,-	9,-	35,-
Tray Connecting Strip WV 124, galvanized	B	49,-	9,-	58,-

Polyethylene Bunded Spill Flooring Type BWP-PE	Category	Price	Freight charges	Price including freight charges
BWP-PE 150, made of robust polyethylene	B	316,-	123,-	439,-
Ramp Type BWR, robust polyethylene, black	B	222,-	12,-	234,-
Joining Element BWV 2, stainless steel 1.4301	B	29,-	9,-	38,-
BWP-PE 300, made of robust polyethylene	B	641,-	123,-	764,-
Ramp Type BWR, robust polyethylene, black	B	222,-	12,-	234,-
Joining Element BWV 4, stainless steel 1.4301	B	38,-	10,-	48,-

Polyethylene Bunded Spill Flooring Type BWPS-PE	Category	Price	Freight charges	Price including freight charges
BWPS-PE 300, made of robust polyethylene	B	786,-	176,-	962,-
Ramp Type BWR, robust polyethylene, black	B	222,-	12,-	234,-
Joining Element BWV 2, stainless steel 1.4301	B	29,-	9,-	38,-

Shelf Container Type CEH	Category	Price	Freight charges	Price including freight charges
CEH 29-2, painted	C	9142,-	on request	on request
CEH 29-2 IBC, painted	C	10076,-	on request	on request
CEH 36-2 IBC, painted	C	11727,-	on request	on request
CEH 38-2, painted	C	11719,-	on request	on request
CEH 59-2, painted	C	17352,-	on request	on request
CEH 59-2 IBC, painted	C	18629,-	on request	on request
CEH 75-2 IBC, painted	C	22081,-	on request	on request
CEH 81-2, painted	C	22524,-	on request	on request

Shelf Container Type CEN	Category	Price	Freight charges	Price including freight charges
CEN 29-2, painted	C	7714,-	on request	on request
Potential equalisation	C	184,-	0,-	184,-
CEN 29-2 IBC, painted	C	8421,-	on request	on request
Potential equalisation	C	184,-	0,-	184,-
CEN 29-2b, painted	C	13445,-	on request	on request
Potential equalisation	C	366,-	0,-	366,-
CEN 29-2b IBC, painted	C	14379,-	on request	on request
Potential equalisation	C	366,-	0,-	366,-
CEN 29-3, painted	C	12140,-	on request	on request
Potential equalisation	C	274,-	0,-	274,-

Prices in EUR, valid EXW DE-46354 Südlohn, DE-38820 Halberstadt, unpacked
 Freight charges valid CPT Slovenia, islands and oversea territories excluded

Price List 0726 en-SI

Environment / Storage



Shelf Container Type CEN	Category	Price	Freight charges	Price including freight charges
CEN 29-3 IBC, painted	C	12917,-	on request	on request
Potential equalisation	C	274,-	0,-	274,-
CEN 29-3b, painted	C	19757,-	on request	on request
Potential equalisation	C	546,-	0,-	546,-
CEN 29-3b IBC, painted	C	20862,-	on request	on request
Potential equalisation	C	546,-	0,-	546,-
CEN 33-2 IBC, painted	C	9393,-	on request	on request
Potential equalisation	C	184,-	0,-	184,-
CEN 33-2b IBC, painted	C	15740,-	on request	on request
Potential equalisation	C	366,-	0,-	366,-
CEN 33-3 IBC, painted	C	13849,-	on request	on request
Potential equalisation	C	274,-	0,-	274,-
CEN 33-3b IBC, painted	C	22018,-	on request	on request
Potential equalisation	C	546,-	0,-	546,-
CEN 36-2, painted	C	9470,-	on request	on request
Potential equalisation	C	184,-	0,-	184,-
CEN 36-2b, painted	C	16110,-	on request	on request
Potential equalisation	C	366,-	0,-	366,-
CEN 36-3, painted	C	14046,-	on request	on request
Potential equalisation	C	274,-	0,-	274,-
CEN 36-3b, painted	C	22693,-	on request	on request
Potential equalisation	C	546,-	0,-	546,-
CEN 59-2, painted	C	12772,-	on request	on request
Potential equalisation	C	365,-	0,-	365,-
CEN 59-2 IBC, painted	C	13917,-	on request	on request
Potential equalisation	C	365,-	0,-	365,-
CEN 59-2b, painted	C	21982,-	on request	on request
Potential equalisation	C	729,-	0,-	729,-
CEN 59-2b IBC, painted	C	22754,-	on request	on request
Potential equalisation	C	729,-	0,-	729,-
CEN 59-3, painted	C	19663,-	on request	on request
Potential equalisation	C	545,-	0,-	545,-
CEN 59-3 IBC, painted	C	20812,-	on request	on request
Potential equalisation	C	545,-	0,-	545,-
CEN 59-3b, painted	C	31741,-	on request	on request
Potential equalisation	C	1089,-	0,-	1089,-
CEN 59-3b IBC, painted	C	33404,-	on request	on request
Potential equalisation	C	1089,-	0,-	1089,-
CEN 65-2 IBC, painted	C	15002,-	on request	on request
Potential equalisation	C	365,-	0,-	365,-
CEN 65-2b IBC, painted	C	25299,-	on request	on request
Potential equalisation	C	729,-	0,-	729,-
CEN 65-3 IBC, painted	C	21999,-	on request	on request
Potential equalisation	C	545,-	0,-	545,-
CEN 65-3b IBC, painted	C	35919,-	on request	on request
Potential equalisation	C	1089,-	0,-	1089,-

Prices in EUR, valid EXW DE-46354 Südlohn, DE-38820 Halberstadt, unpacked
 Freight charges valid CPT Slovenia, islands and oversea territories excluded

Price List 0726 en-SI

Environment / Storage



Shelf Container Type CEN	Category	Price	Freight charges	Price including freight charges
CEN 75-2, painted	C	16004,-	on request	on request
Potential equalisation	C	365,-	0,-	365,-
CEN 75-2b, painted	C	26485,-	on request	on request
Potential equalisation	C	729,-	0,-	729,-
CEN 75-3, painted	C	23086,-	on request	on request
Potential equalisation	C	545,-	0,-	545,-
CEN 75-3b, painted	C	37480,-	on request	on request
Potential equalisation	C	1089,-	0,-	1089,-
CEN 81-2, painted	C	16788,-	on request	on request
Potential equalisation	C	365,-	0,-	365,-
CEN 81-2b, painted	C	27692,-	on request	on request
Potential equalisation	C	729,-	0,-	729,-
CEN 81-3, painted	C	24174,-	on request	on request
Potential equalisation	C	545,-	0,-	545,-
CEN 81-3b, painted	C	39119,-	on request	on request
Potential equalisation	C	1089,-	0,-	1089,-

Sump Tray for Skips Type CW	Category	Price	Freight charges	Price including freight charges
CW 1, painted	B	2952,-	on request	on request
CW 2, painted	B	3226,-	on request	on request
CW 3, painted	B	3722,-	on request	on request

Sump Tray Type ECO	Category	Price	Freight charges	Price including freight charges
ECO 1/200, painted	B	246,-	123,-	369,-
ECO 1/200, hot-dip galvanized	B	256,-	123,-	379,-
ECO 2/200, painted	B	261,-	123,-	384,-
ECO 2/200, hot-dip galvanized	B	270,-	123,-	393,-
ECO 4/200, painted	B	285,-	123,-	408,-
ECO 4/200, hot-dip galvanized	B	297,-	123,-	420,-
ECO 4/400, painted	B	354,-	123,-	477,-
ECO 4/400, hot-dip galvanized	B	370,-	123,-	493,-
ECO 1/1000, painted	B	632,-	180,-	812,-
ECO 1/1000, hot-dip galvanized	B	759,-	180,-	939,-
ECO 2/1000, painted	B	826,-	233,-	1059,-
ECO 2/1000, hot-dip galvanized	B	915,-	233,-	1148,-

Sump Tray Type ECO-A	Category	Price	Freight charges	Price including freight charges
ECO-A 1/1000, painted	B	831,-	180,-	1011,-
ECO-A 1/1000, hot-dip galvanized	B	971,-	180,-	1151,-
ECO-A 2/1000, painted	B	1221,-	313,-	1534,-
ECO-A 2/1000, hot-dip galvanized	B	1341,-	313,-	1654,-

Sump Tray Type ECO-S	Category	Price	Freight charges	Price including freight charges
ECO-S 2/200, hot-dip galvanized	B	3447,-	495,-	3942,-
ECO-S 4/200, hot-dip galvanized	B	4053,-	750,-	4803,-

Prices in EUR, valid EXW DE-46354 Südlohn, DE-38820 Halberstadt, unpacked
 Freight charges valid CPT Slovenia, islands and oversea territories excluded

Price List 0726 en-SI

Environment / Storage



Sump Tray Type ECO-S	Category	Price	Freight charges	Price including freight charges
ECO-S 4/400, hot-dip galvanized	B	5000,-	750,-	5750,-

Suspended Sump with Polyethylene Inlay Type EHW PE	Category	Price	Freight charges	Price including freight charges
EHW 1800 PE, painted	B	909,-	180,-	1089,-
EHW 1800 PE, hot-dip galvanized	B	922,-	180,-	1102,-
EHW 2200 PE, painted	B	987,-	180,-	1167,-
EHW 2200 PE, hot-dip galvanized	B	1028,-	180,-	1208,-
EHW 2700 PE, painted	B	1144,-	313,-	1457,-
EHW 2700 PE, hot-dip galvanized	B	1211,-	313,-	1524,-
EHW 3300 PE, painted	B	1653,-	313,-	1966,-
EHW 3300 PE, hot-dip galvanized	B	1727,-	313,-	2040,-

Suspended Sump Type EHW	Category	Price	Freight charges	Price including freight charges
EHW 1800, painted	B	509,-	180,-	689,-
EHW 1800, hot-dip galvanized	B	521,-	180,-	701,-
EHW 2200, painted	B	564,-	180,-	744,-
EHW 2200, hot-dip galvanized	B	605,-	180,-	785,-
EHW 2700, painted	B	648,-	233,-	881,-
EHW 2700, hot-dip galvanized	B	717,-	233,-	950,-
EHW 3300, painted	B	1002,-	313,-	1315,-
EHW 3300, hot-dip galvanized	B	1076,-	313,-	1389,-
EHW 3600, painted	B	1050,-	313,-	1363,-
EHW 3600, hot-dip galvanized	B	1131,-	313,-	1444,-

Drum Pallet Type FP	Category	Price	Freight charges	Price including freight charges
FP 2, hot-dip galvanized	B	92,-	123,-	215,-

Drum Shelve Type FR	Category	Price	Freight charges	Price including freight charges
FR-1, hot-dip galvanized	B	293,-	123,-	416,-
Can Stand Type GS, hot-dip galvanized	B	65,-	18,-	83,-
Clip-on Rotating Support, galvanized	B	85,-	10,-	95,-
FR-2, hot-dip galvanized	B	375,-	123,-	498,-
Can Stand Type GS, hot-dip galvanized	B	65,-	18,-	83,-
Clip-on Rotating Support, galvanized	B	85,-	10,-	95,-
FR-3, hot-dip galvanized	B	419,-	123,-	542,-
Can Stand Type GS, hot-dip galvanized	B	65,-	18,-	83,-
Rotating Support RA 60, hot-dip galvanized	B	97,-	9,-	106,-

Sump Tray Type FRA	Category	Price	Freight charges	Price including freight charges
FRA-1, painted	B	310,-	123,-	433,-
Grid, hot-dip galvanized	B	67,-	16,-	83,-
FRA-1, hot-dip galvanized	B	367,-	123,-	490,-
Grid, hot-dip galvanized	B	67,-	16,-	83,-
FRA-2, painted	B	322,-	123,-	445,-
Grid, hot-dip galvanized	B	132,-	24,-	156,-

Prices in EUR, valid EXW DE-46354 Südlohn, DE-38820 Halberstadt, unpacked
Freight charges valid CPT Slovenia, islands and oversea territories excluded

Price List 0726 en-SI

Environment / Storage



Sump Tray Type FRA	Category	Price	Freight charges	Price including freight charges
FRA-2, hot-dip galvanized	B	378,-	123,-	501,-
Grid, hot-dip galvanized	B	132,-	24,-	156,-
FRA-3, painted	B	322,-	123,-	445,-
Grid, hot-dip galvanized	B	132,-	24,-	156,-
FRA-3, hot-dip galvanized	B	378,-	123,-	501,-
Grid, hot-dip galvanized	B	132,-	24,-	156,-
Drum Shelf Type FRE/M	Category	Price	Freight charges	Price including freight charges
FRE-1/M, hot-dip galvanized	B	225,-	21,-	246,-
Clip-on Rotating Support, galvanized	B	85,-	10,-	95,-
Can Stand Type GS, hot-dip galvanized	B	65,-	18,-	83,-
FRE-2/M, hot-dip galvanized	B	261,-	22,-	283,-
Clip-on Rotating Support, galvanized	B	85,-	10,-	95,-
Can Stand Type GS, hot-dip galvanized	B	65,-	18,-	83,-
FRE-3/M, hot-dip galvanized	B	279,-	27,-	306,-
Rotating Support RA 60, hot-dip galvanized	B	97,-	9,-	106,-
Can Stand Type GS, hot-dip galvanized	B	65,-	18,-	83,-
Can Shelf Type FRE-G/M	Category	Price	Freight charges	Price including freight charges
FRE-G1/M, hot-dip galvanized	B	236,-	27,-	263,-
FRE-G2/M, hot-dip galvanized	B	274,-	32,-	306,-
Can Shelf for Small Cans Type FRG	Category	Price	Freight charges	Price including freight charges
FRG, hot-dip galvanized	B	381,-	123,-	504,-
Drum Stacking Pallet Type FSP-D	Category	Price	Freight charges	Price including freight charges
FSP-1 D, lackiert	B	845,-	180,-	1025,-
FSP-1 D, hot-dip galvanized	B	1106,-	180,-	1286,-
FSP-2 D, lackiert	B	901,-	180,-	1081,-
FSP-2 D, hot-dip galvanized	B	1222,-	180,-	1402,-
FSP-4 D, lackiert	B	1170,-	180,-	1350,-
FSP-4 D, hot-dip galvanized	B	1615,-	180,-	1795,-
Drum Stacking Pallet Type FSP-G	Category	Price	Freight charges	Price including freight charges
FSP-1 G, lackiert	B	821,-	180,-	1001,-
FSP-1 G, hot-dip galvanized	B	1089,-	180,-	1269,-
FSP-2 G, painted	B	879,-	180,-	1059,-
FSP-2 G, hot-dip galvanized	B	1197,-	180,-	1377,-
FSP-4 G, painted	B	1148,-	261,-	1409,-
FSP-4 G, hot-dip galvanized	B	1587,-	261,-	1848,-
Drum Stacking Pallet Type FSP	Category	Price	Freight charges	Price including freight charges
FSP-1, painted	B	484,-	123,-	607,-
FSP-1, hot-dip galvanized	B	727,-	180,-	907,-
FSP-2, painted	B	655,-	180,-	835,-

Prices in EUR, valid EXW DE-46354 Südlohn, DE-38820 Halberstadt, unpacked
Freight charges valid CPT Slovenia, islands and oversea territories excluded

Price List 0726 en-SI

Environment / Storage



Drum Stacking Pallet Type FSP	Category	Price	Freight charges	Price including freight charges
FSP-2, hot-dip galvanized	B	913,-	180,-	1093,-
FSP-4, painted	B	746,-	180,-	926,-
FSP-4, hot-dip galvanized	B	1151,-	180,-	1331,-

Hazardous Materials Depot Type GD-A	Category	Price	Freight charges	Price including freight charges
GD-A, painted	C	762,-	180,-	942,-
Drum Support FA 60-1, hot-dip galvanized	B	109,-	15,-	124,-
Drum Support FA 60-2, hot-dip galvanized	B	118,-	18,-	136,-
Drum Support FA 60-3, hot-dip galvanized	B	138,-	21,-	159,-
Can Shelf Type GR-A, galvanized	B	138,-	50,-	188,-
Can Shelf Type GR-B, galvanized	B	138,-	50,-	188,-
Can Shelf Type GR-C, galvanized	B	138,-	50,-	188,-
GD-A, hot-dip galvanized	C	960,-	180,-	1140,-
Drum Support FA 60-1, hot-dip galvanized	B	109,-	15,-	124,-
Drum Support FA 60-2, hot-dip galvanized	B	118,-	18,-	136,-
Drum Support FA 60-3, hot-dip galvanized	B	138,-	21,-	159,-
Can Shelf Type GR-A, galvanized	B	138,-	50,-	188,-
Can Shelf Type GR-B, galvanized	B	138,-	50,-	188,-
Can Shelf Type GR-C, galvanized	B	138,-	50,-	188,-

Hazardous Materials Depot Type GD-B	Category	Price	Freight charges	Price including freight charges
GD-B, painted	C	1363,-	180,-	1543,-
Drum Support FA 60-1, hot-dip galvanized	B	109,-	15,-	124,-
Drum Support FA 60-2, hot-dip galvanized	B	118,-	18,-	136,-
Drum Support FA 60-3, hot-dip galvanized	B	138,-	21,-	159,-
Can Shelf Type GR-A, galvanized	B	138,-	50,-	188,-
Can Shelf Type GR-B, galvanized	B	138,-	50,-	188,-
Can Shelf Type GR-C, galvanized	B	138,-	50,-	188,-
GD-B, hot-dip galvanized	C	1625,-	180,-	1805,-
Drum Support FA 60-1, hot-dip galvanized	B	109,-	15,-	124,-
Drum Support FA 60-2, hot-dip galvanized	B	118,-	18,-	136,-
Drum Support FA 60-3, hot-dip galvanized	B	138,-	21,-	159,-
Can Shelf Type GR-A, galvanized	B	138,-	50,-	188,-
Can Shelf Type GR-B, galvanized	B	138,-	50,-	188,-
Can Shelf Type GR-C, galvanized	B	138,-	50,-	188,-

Hazardous Materials Depot Type GD-C	Category	Price	Freight charges	Price including freight charges
GD-C, painted	C	1163,-	180,-	1343,-
Drum Support FA 60-1, hot-dip galvanized	B	109,-	15,-	124,-
Drum Support FA 60-2, hot-dip galvanized	B	118,-	18,-	136,-
Drum Support FA 60-3, hot-dip galvanized	B	138,-	21,-	159,-
Can Shelf Type GR-A, galvanized	B	138,-	50,-	188,-
Can Shelf Type GR-B, galvanized	B	138,-	50,-	188,-
Can Shelf Type GR-C, galvanized	B	138,-	50,-	188,-
GD-C, hot-dip galvanized	C	1314,-	180,-	1494,-

Prices in EUR, valid EXW DE-46354 Südlohn, DE-38820 Halberstadt, unpacked
Freight charges valid CPT Slovenia, islands and oversea territories excluded

Price List 0726 en-SI

Environment / Storage



Hazardous Materials Depot Type GD-C	Category	Price	Freight charges	Price including freight charges
Drum Support FA 60-1, hot-dip galvanized	B	109,-	15,-	124,-
Drum Support FA 60-2, hot-dip galvanized	B	118,-	18,-	136,-
Drum Support FA 60-3, hot-dip galvanized	B	138,-	21,-	159,-
Can Shelf Type GR-A, galvanized	B	138,-	50,-	188,-
Can Shelf Type GR-B, galvanized	B	138,-	50,-	188,-
Can Shelf Type GR-C, galvanized	B	138,-	50,-	188,-

Hazardous Materials Depot Type GD-E	Category	Price	Freight charges	Price including freight charges
GD-E 2, galvanized	C	1562,-	261,-	1823,-
Drum Support FA 60-1, hot-dip galvanized	B	109,-	15,-	124,-
Drum Support FA 60-2, hot-dip galvanized	B	118,-	18,-	136,-
Drum Support FA 60-3, hot-dip galvanized	B	138,-	21,-	159,-
Can Shelf Type GR-A, galvanized	B	138,-	50,-	188,-
Can Shelf Type GR-B, galvanized	B	138,-	50,-	188,-
Can Shelf Type GR-C, galvanized	B	138,-	50,-	188,-
GD-E 4, galvanized	C	1907,-	333,-	2240,-
Drum Support FA 60-1, hot-dip galvanized	B	109,-	15,-	124,-
Drum Support FA 60-2, hot-dip galvanized	B	118,-	18,-	136,-
Drum Support FA 60-3, hot-dip galvanized	B	138,-	21,-	159,-
Can Shelf Type GR-A, galvanized	B	138,-	50,-	188,-
Can Shelf Type GR-B, galvanized	B	138,-	50,-	188,-
Can Shelf Type GR-C, galvanized	B	138,-	50,-	188,-

Hazardous Materials Depot Type GD-E/IBC	Category	Price	Freight charges	Price including freight charges
GD-E/IBC, galvanized	C	2367,-	741,-	3108,-
GD-E/IBC-2, galvanized	C	3552,-	426,-	3978,-

Hazardous Materials Depot Type GD-N	Category	Price	Freight charges	Price including freight charges
GD-N 2, galvanized	C	1362,-	261,-	1623,-
Intermediate Storage Level, hot-dip galvanized	C	106,-	18,-	124,-
Drum Support FA 60-1, hot-dip galvanized	B	109,-	15,-	124,-
Can Shelf Type GR-A, galvanized	B	138,-	50,-	188,-
Can Shelf Type GR-B, galvanized	B	138,-	50,-	188,-
Can Shelf Type GR-C, galvanized	B	138,-	50,-	188,-
GD-N 4, galvanized	C	1697,-	261,-	1958,-
Intermediate Storage Level, hot-dip galvanized	C	106,-	18,-	124,-
Drum Support FA 60-1, hot-dip galvanized	B	109,-	15,-	124,-
Drum Support FA 60-2, hot-dip galvanized	B	118,-	18,-	136,-
Drum Support FA 200-1, hot-dip galvanized	B	118,-	15,-	133,-
Drum Support FA 200-2, hot-dip galvanized	B	138,-	22,-	160,-
Can Shelf Type GR-A, galvanized	B	138,-	50,-	188,-
Can Shelf Type GR-B, galvanized	B	138,-	50,-	188,-
Can Shelf Type GR-C, galvanized	B	138,-	50,-	188,-

Prices in EUR, valid EXW DE-46354 Südlohn, DE-38820 Halberstadt, unpacked
Freight charges valid CPT Slovenia, islands and oversea territories excluded

Price List 0726 en-SI

Environment / Storage



Hazardous Materials DepotType GD-N/R	Category	Price	Freight charges	Price including freight charges
GD-N/R 2, galvanized	C	1562,—	261,—	1823,—
Intermediate Storage Level, hot-dip galvanized	C	106,—	18,—	124,—
Drum Support FA 60-1, hot-dip galvanized	B	109,—	15,—	124,—
Can Shelf Type GR-A, galvanized	B	138,—	50,—	188,—
Can Shelf Type GR-B, galvanized	B	138,—	50,—	188,—
Can Shelf Type GR-C, galvanized	B	138,—	50,—	188,—
GD-N/R 4, galvanized	C	1901,—	261,—	2162,—
Intermediate Storage Level, hot-dip galvanized	C	106,—	18,—	124,—
Drum Support FA 60-1, hot-dip galvanized	B	109,—	15,—	124,—
Drum Support FA 60-2, hot-dip galvanized	B	118,—	18,—	136,—
Drum Support FA 200-1, hot-dip galvanized	B	118,—	15,—	133,—
Drum Support FA 200-2, hot-dip galvanized	B	138,—	22,—	160,—
Can Shelf Type GR-A, galvanized	B	138,—	50,—	188,—
Can Shelf Type GR-B, galvanized	B	138,—	50,—	188,—
Can Shelf Type GR-C, galvanized	B	138,—	50,—	188,—
Gas Cylinder Containers Type GFC-B	Category	Price	Freight charges	Price including freight charges
GFC-B M0, painted	B	3406,—	741,—	4147,—
Fixture with Safety Chain to Secure Gas Cylinders, hot-dip galvanized	B	72,—	12,—	84,—
Rack for Gas Cylinders GFG-2, galvanized	B	204,—	123,—	327,—
GFC-B M1, painted	B	3949,—	807,—	4756,—
Fixture with Safety Chain to Secure Gas Cylinders, hot-dip galvanized	B	72,—	12,—	84,—
Rack for Gas Cylinders GFG-2, galvanized	B	204,—	123,—	327,—
GFC-B M2, painted	B	4114,—	807,—	4921,—
Fixture with Safety Chain to Secure Gas Cylinders, hot-dip galvanized	B	72,—	12,—	84,—
Rack for Gas Cylinders GFG-2, galvanized	B	204,—	123,—	327,—
GFC-B M3, painted	B	4761,—	807,—	5568,—
Fixture with Safety Chain to Secure Gas Cylinders, hot-dip galvanized	B	72,—	12,—	84,—
Rack for Gas Cylinders GFG-2, galvanized	B	204,—	123,—	327,—
GFC-B M4, painted	B	5355,—	859,—	6214,—
Fixture with Safety Chain to Secure Gas Cylinders, hot-dip galvanized	B	72,—	12,—	84,—
Rack for Gas Cylinders GFG-2, galvanized	B	204,—	123,—	327,—
GFC-B M5, painted	B	7439,—	882,—	8321,—
Fixture with Safety Chain to Secure Gas Cylinders, hot-dip galvanized	B	72,—	12,—	84,—
Rack for Gas Cylinders GFG-2, galvanized	B	204,—	123,—	327,—
Gas Cylinder Containers Type GFC-B/W	Category	Price	Freight charges	Price including freight charges
GFC-B/W M1, painted	B	4216,—	807,—	5023,—
Fixture with Safety Chain to Secure Gas Cylinders, hot-dip galvanized	B	72,—	12,—	84,—
GFC-B/W M2, painted	B	4421,—	807,—	5228,—
Fixture with Safety Chain to Secure Gas Cylinders, hot-dip galvanized	B	72,—	12,—	84,—
GFC-B/W M3, painted	B	5076,—	807,—	5883,—
Fixture with Safety Chain to Secure Gas Cylinders, hot-dip galvanized	B	72,—	12,—	84,—
Rack for Gas Cylinders GFG-2, galvanized	B	204,—	123,—	327,—
GFC-B/W M4, painted	B	5675,—	859,—	6534,—

Prices in EUR, valid EXW DE-46354 Südlohn, DE-38820 Halberstadt, unpacked
Freight charges valid CPT Slovenia, islands and oversea territories excluded

Price List 0726 en-SI

Environment / Storage



Gas Cylinder Containers Type GFC-B/W	Category	Price	Freight charges	Price including freight charges
Fixture with Safety Chain to Secure Gas Cylinders, hot-dip galvanized	B	72,-	12,-	84,-
Rack for Gas Cylinders GFG-2, galvanized	B	204,-	123,-	327,-
GFC-B/W M5, painted	B	7844,-	920,-	8764,-
Fixture with Safety Chain to Secure Gas Cylinders, hot-dip galvanized	B	72,-	12,-	84,-
Rack for Gas Cylinders GFG-2, galvanized	B	204,-	123,-	327,-

Gas Cylinder Containers Type GFC-E/G	Category	Price	Freight charges	Price including freight charges
GFC-E/G M0, hot-dip galvanized	B	1540,-	261,-	1801,-
Fixture with Safety Chain to Secure Gas Cylinders, hot-dip galvanized	B	40,-	12,-	52,-
Rack for Gas Cylinders GFG-2, galvanized	B	204,-	123,-	327,-
Access Ramp Type AR, galvanized	B	163,-	22,-	185,-
GFC-E/G M1, hot-dip galvanized	B	2191,-	807,-	2998,-
Fixture with Safety Chain to Secure Gas Cylinders, hot-dip galvanized	B	40,-	12,-	52,-
Rack for Gas Cylinders GFG-2, galvanized	B	204,-	123,-	327,-
Access Ramp Type AR, galvanized	B	163,-	22,-	185,-
Central Dividing Wall, galvanized	B	87,-	22,-	109,-
GFC-E/G M2, hot-dip galvanized	B	2401,-	807,-	3208,-
Fixture with Safety Chain to Secure Gas Cylinders, hot-dip galvanized	B	40,-	12,-	52,-
Rack for Gas Cylinders GFG-2, galvanized	B	204,-	123,-	327,-
Access Ramp Type AR, galvanized	B	163,-	22,-	185,-
Central Dividing Wall, galvanized	B	129,-	32,-	161,-
GFC-E/G M3, hot-dip galvanized	B	2671,-	807,-	3478,-
Fixture with Safety Chain to Secure Gas Cylinders, hot-dip galvanized	B	40,-	12,-	52,-
Rack for Gas Cylinders GFG-2, galvanized	B	204,-	123,-	327,-
Access Ramp Type AR, galvanized	B	163,-	22,-	185,-
Central Dividing Wall, galvanized	B	129,-	32,-	161,-
GFC-E/G M4, hot-dip galvanized	B	2895,-	859,-	3754,-
Fixture with Safety Chain to Secure Gas Cylinders, hot-dip galvanized	B	40,-	12,-	52,-
Rack for Gas Cylinders GFG-2, galvanized	B	204,-	123,-	327,-
Access Ramp Type AR, galvanized	B	163,-	22,-	185,-
Central Dividing Wall, galvanized	B	129,-	32,-	161,-
GFC-E/G M5, hot-dip galvanized	B	3587,-	859,-	4446,-
Fixture with Safety Chain to Secure Gas Cylinders, hot-dip galvanized	B	40,-	12,-	52,-
Rack for Gas Cylinders GFG-2, galvanized	B	204,-	123,-	327,-
Access Ramp Type AR, galvanized	B	163,-	22,-	185,-
Central Dividing Wall, galvanized	B	191,-	40,-	231,-

Gas Cylinder Containers Type GFC-E/T	Category	Price	Freight charges	Price including freight charges
GFC-E/T M0, hot-dip galvanized	B	1560,-	261,-	1821,-
Fixture with Safety Chain to Secure Gas Cylinders, hot-dip galvanized	B	40,-	12,-	52,-
Rack for Gas Cylinders GFG-2, galvanized	B	204,-	123,-	327,-
Access Ramp Type AR, galvanized	B	163,-	22,-	185,-
GFC-E/T M1, hot-dip galvanized	B	2229,-	807,-	3036,-
Fixture with Safety Chain to Secure Gas Cylinders, hot-dip galvanized	B	40,-	12,-	52,-
Rack for Gas Cylinders GFG-2, galvanized	B	204,-	123,-	327,-

Prices in EUR, valid EXW DE-46354 Südlohn, DE-38820 Halberstadt, unpacked
Freight charges valid CPT Slovenia, islands and oversea territories excluded

Price List 0726 en-SI

Environment / Storage



Gas Cylinder Containers Type GFC-E/T	Category	Price	Freight charges	Price including freight charges
Access Ramp Type AR, galvanized	B	163,-	22,-	185,-
Central Dividing Wall, galvanized	B	87,-	22,-	109,-
GFC-E/T M2, hot-dip galvanized	B	2448,-	807,-	3255,-
Fixture with Safety Chain to Secure Gas Cylinders, hot-dip galvanized	B	40,-	12,-	52,-
Rack for Gas Cylinders GFG-2, galvanized	B	204,-	123,-	327,-
Access Ramp Type AR, galvanized	B	163,-	22,-	185,-
Central Dividing Wall, galvanized	B	129,-	32,-	161,-
GFC-E/T M3, hot-dip galvanized	B	2737,-	807,-	3544,-
Fixture with Safety Chain to Secure Gas Cylinders, hot-dip galvanized	B	40,-	12,-	52,-
Rack for Gas Cylinders GFG-2, galvanized	B	204,-	123,-	327,-
Access Ramp Type AR, galvanized	B	163,-	22,-	185,-
Central Dividing Wall, galvanized	B	129,-	32,-	161,-
GFC-E/T M4, hot-dip galvanized	B	2960,-	859,-	3819,-
Fixture with Safety Chain to Secure Gas Cylinders, hot-dip galvanized	B	40,-	12,-	52,-
Rack for Gas Cylinders GFG-2, galvanized	B	204,-	123,-	327,-
Access Ramp Type AR, galvanized	B	163,-	22,-	185,-
Central Dividing Wall, galvanized	B	129,-	32,-	161,-
GFC-E/T M5, hot-dip galvanized	B	3678,-	859,-	4537,-
Fixture with Safety Chain to Secure Gas Cylinders, hot-dip galvanized	B	40,-	12,-	52,-
Rack for Gas Cylinders GFG-2, galvanized	B	204,-	123,-	327,-
Access Ramp Type AR, galvanized	B	163,-	22,-	185,-
Central Dividing Wall, galvanized	B	191,-	40,-	231,-

Gas Cylinder Containers Type GFC-M/D	Category	Price	Freight charges	Price including freight charges
GFC-M0/D, hot-dip galvanized	B	1028,-	180,-	1208,-
Grid Floor, hot-dip galvanized	B	152,-	27,-	179,-
Fixture with Safety Chain to Secure Gas Cylinders, hot-dip galvanized	B	40,-	12,-	52,-
Rack for Gas Cylinders GFG-2, galvanized	B	204,-	123,-	327,-
GFC-M1/D, hot-dip galvanized	B	1247,-	261,-	1508,-
Grid Floor, hot-dip galvanized	B	274,-	123,-	397,-
Fixture with Safety Chain to Secure Gas Cylinders, hot-dip galvanized	B	40,-	12,-	52,-
Rack for Gas Cylinders GFG-2, galvanized	B	204,-	123,-	327,-
GFC-M2/D, hot-dip galvanized	B	1327,-	261,-	1588,-
Grid Floor, hot-dip galvanized	B	375,-	123,-	498,-
Fixture with Safety Chain to Secure Gas Cylinders, hot-dip galvanized	B	40,-	12,-	52,-
Rack for Gas Cylinders GFG-2, galvanized	B	204,-	123,-	327,-
GFC-M3/D, hot-dip galvanized	B	1498,-	261,-	1759,-
Grid Floor, hot-dip galvanized	B	510,-	180,-	690,-
Fixture with Safety Chain to Secure Gas Cylinders, hot-dip galvanized	B	40,-	12,-	52,-
Rack for Gas Cylinders GFG-2, galvanized	B	204,-	123,-	327,-
GFC-M4/D, hot-dip galvanized	B	1601,-	261,-	1862,-
Grid Floor, hot-dip galvanized	B	627,-	180,-	807,-
Fixture with Safety Chain to Secure Gas Cylinders, hot-dip galvanized	B	40,-	12,-	52,-
Rack for Gas Cylinders GFG-2, galvanized	B	204,-	123,-	327,-
GFC-M5/D, hot-dip galvanized	B	1903,-	333,-	2236,-
Grid Floor, hot-dip galvanized	B	765,-	180,-	945,-

Prices in EUR, valid EXW DE-46354 Südlohn, DE-38820 Halberstadt, unpacked
 Freight charges valid CPT Slovenia, islands and oversea territories excluded

Price List 0726 en-SI

Environment / Storage



Gas Cylinder Containers Type GFC-M/D	Category	Price	Freight charges	Price including freight charges
Fixture with Safety Chain to Secure Gas Cylinders, hot-dip galvanized	B	40,-	12,-	52,-
Rack for Gas Cylinders GFG-2, galvanized	B	204,-	123,-	327,-

Gas Cylinder Containers Type GFC-M	Category	Price	Freight charges	Price including freight charges
GFC-M1, hot-dip galvanized	B	1101,-	180,-	1281,-
Grid Floor, hot-dip galvanized	B	274,-	123,-	397,-
Fixture with Safety Chain to Secure Gas Cylinders, hot-dip galvanized	B	40,-	12,-	52,-
Rack for Gas Cylinders GFG-2, galvanized	B	204,-	123,-	327,-
GFC-M2, hot-dip galvanized	B	1169,-	261,-	1430,-
Grid Floor, hot-dip galvanized	B	375,-	123,-	498,-
Fixture with Safety Chain to Secure Gas Cylinders, hot-dip galvanized	B	40,-	12,-	52,-
Rack for Gas Cylinders GFG-2, galvanized	B	204,-	123,-	327,-
GFC-M3, hot-dip galvanized	B	1312,-	261,-	1573,-
Grid Floor, hot-dip galvanized	B	510,-	180,-	690,-
Fixture with Safety Chain to Secure Gas Cylinders, hot-dip galvanized	B	40,-	12,-	52,-
Rack for Gas Cylinders GFG-2, galvanized	B	204,-	123,-	327,-
GFC-M4, hot-dip galvanized	B	1380,-	261,-	1641,-
Grid Floor, hot-dip galvanized	B	627,-	180,-	807,-
Fixture with Safety Chain to Secure Gas Cylinders, hot-dip galvanized	B	40,-	12,-	52,-
Rack for Gas Cylinders GFG-2, galvanized	B	204,-	123,-	327,-
GFC-M5, hot-dip galvanized	B	1602,-	261,-	1863,-
Grid Floor, hot-dip galvanized	B	765,-	180,-	945,-
Fixture with Safety Chain to Secure Gas Cylinders, hot-dip galvanized	B	40,-	12,-	52,-
Rack for Gas Cylinders GFG-2, galvanized	B	204,-	123,-	327,-

Gas Cylinder Containers Type GFC-M/D-DF	Category	Price	Freight charges	Price including freight charges
GFC-M1/D-DF, hot-dip galvanized	B	1424,-	261,-	1685,-
Grid Floor, hot-dip galvanized	B	274,-	123,-	397,-
Fixture with Safety Chain to Secure Gas Cylinders, hot-dip galvanized	B	40,-	12,-	52,-
Rack for Gas Cylinders GFG-2, galvanized	B	204,-	123,-	327,-
GFC-M2/D-DF, hot-dip galvanized	B	1503,-	261,-	1764,-
Grid Floor, hot-dip galvanized	B	375,-	123,-	498,-
Fixture with Safety Chain to Secure Gas Cylinders, hot-dip galvanized	B	40,-	12,-	52,-
Rack for Gas Cylinders GFG-2, galvanized	B	204,-	123,-	327,-
GFC-M3/D-DF, hot-dip galvanized	B	1675,-	261,-	1936,-
Grid Floor, hot-dip galvanized	B	510,-	180,-	690,-
Fixture with Safety Chain to Secure Gas Cylinders, hot-dip galvanized	B	40,-	12,-	52,-
Rack for Gas Cylinders GFG-2, galvanized	B	204,-	123,-	327,-
GFC-M4/D-DF, hot-dip galvanized	B	1810,-	333,-	2143,-
Grid Floor, hot-dip galvanized	B	627,-	180,-	807,-
Fixture with Safety Chain to Secure Gas Cylinders, hot-dip galvanized	B	40,-	12,-	52,-
Rack for Gas Cylinders GFG-2, galvanized	B	204,-	123,-	327,-
GFC-M5/D-DF, hot-dip galvanized	B	2112,-	333,-	2445,-
Grid Floor, hot-dip galvanized	B	765,-	180,-	945,-
Fixture with Safety Chain to Secure Gas Cylinders, hot-dip galvanized	B	40,-	12,-	52,-

Prices in EUR, valid EXW DE-46354 Südlohn, DE-38820 Halberstadt, unpacked
Freight charges valid CPT Slovenia, islands and oversea territories excluded

Price List 0726 en-SI

Environment / Storage



Gas Cylinder Containers Type GFC-M/D-DF	Category	Price	Freight charges	Price including freight charges
Rack for Gas Cylinders GFG-2, galvanized	B	204,-	123,-	327,-
GFC-M6/D-DF, hot-dip galvanized	B	2775,-	455,-	3230,-
Fixture with Safety Chain to Secure Gas Cylinders, hot-dip galvanized	B	40,-	12,-	52,-
Rack for Gas Cylinders GFG-2, galvanized	B	204,-	123,-	327,-
Gas Cylinder Containers Type GFC-M-DF	Category	Price	Freight charges	Price including freight charges
GFC-M1-DF, hot-dip galvanized	B	1276,-	180,-	1456,-
Grid Floor, hot-dip galvanized	B	274,-	123,-	397,-
Fixture with Safety Chain to Secure Gas Cylinders, hot-dip galvanized	B	40,-	12,-	52,-
Rack for Gas Cylinders GFG-2, galvanized	B	204,-	123,-	327,-
GFC-M2-DF, hot-dip galvanized	B	1346,-	261,-	1607,-
Grid Floor, hot-dip galvanized	B	375,-	123,-	498,-
Fixture with Safety Chain to Secure Gas Cylinders, hot-dip galvanized	B	40,-	12,-	52,-
Rack for Gas Cylinders GFG-2, galvanized	B	204,-	123,-	327,-
GFC-M3-DF, hot-dip galvanized	B	1490,-	261,-	1751,-
Grid Floor, hot-dip galvanized	B	510,-	180,-	690,-
Fixture with Safety Chain to Secure Gas Cylinders, hot-dip galvanized	B	40,-	12,-	52,-
Rack for Gas Cylinders GFG-2, galvanized	B	204,-	123,-	327,-
GFC-M4-DF, hot-dip galvanized	B	1591,-	261,-	1852,-
Grid Floor, hot-dip galvanized	B	627,-	180,-	807,-
Fixture with Safety Chain to Secure Gas Cylinders, hot-dip galvanized	B	40,-	12,-	52,-
Rack for Gas Cylinders GFG-2, galvanized	B	204,-	123,-	327,-
GFC-M5-DF, hot-dip galvanized	B	1812,-	333,-	2145,-
Grid Floor, hot-dip galvanized	B	765,-	180,-	945,-
Fixture with Safety Chain to Secure Gas Cylinders, hot-dip galvanized	B	40,-	12,-	52,-
Rack for Gas Cylinders GFG-2, galvanized	B	204,-	123,-	327,-
Gas Cylinder Depot Type GFD-G	Category	Price	Freight charges	Price including freight charges
GFD-G 1, galvanized	B	429,-	180,-	609,-
GFD-G 2, galvanized	B	790,-	180,-	970,-
Gas Cylinder Depot Type GFD-L	Category	Price	Freight charges	Price including freight charges
GFD-L 1, galvanized	B	462,-	123,-	585,-
GFD-L 2, galvanized	B	880,-	180,-	1060,-
Gas Cylinder Depot Type GFD-R	Category	Price	Freight charges	Price including freight charges
GFD-R 2, painted	B	774,-	123,-	897,-
GFD-R 2, hot-dip galvanized	B	798,-	123,-	921,-
GFD-R 4, painted	B	879,-	123,-	1002,-
GFD-R 4, hot-dip galvanized	B	909,-	123,-	1032,-
Hazardous Materials Cabinet Type GS	Category	Price	Freight charges	Price including freight charges
GS-1, painted	B	789,-	180,-	969,-
Intermediate Storage Level, galvanized	B	90,-	14,-	104,-
GS-1, hot-dip galvanized	B	849,-	180,-	1029,-

Prices in EUR, valid EXW DE-46354 Südlohn, DE-38820 Halberstadt, unpacked
Freight charges valid CPT Slovenia, islands and oversea territories excluded

Price List 0726 en-SI

Environment / Storage



Hazardous Materials Cabinet Type GS	Category	Price	Freight charges	Price including freight charges
Intermediate Storage Level, galvanized	B	90,-	14,-	104,-
GS-2, painted	B	1049,-	261,-	1310,-
Intermediate Storage Level, galvanized	B	90,-	14,-	104,-
GS-2, hot-dip galvanized	B	1139,-	261,-	1400,-
Intermediate Storage Level, galvanized	B	90,-	14,-	104,-
GS-3, painted	B	2143,-	333,-	2476,-
GS-3, hot-dip galvanized	B	2295,-	333,-	2628,-
GS-4, painted	B	2154,-	741,-	2895,-
GS-4, hot-dip galvanized	B	2340,-	741,-	3081,-

Gas Cylinder Wall Bracket Type GWH	Category	Price	Freight charges	Price including freight charges
GWH 140-I, hot-dip galvanized	F	26,-	50,-	76,-
GWH 140-II, hot-dip galvanized	F	40,-	50,-	90,-
GWH 140-III, hot-dip galvanized	F	59,-	50,-	109,-
GWH 230-I, hot-dip galvanized	F	28,-	50,-	78,-
GWH 230-II, hot-dip galvanized	F	43,-	50,-	93,-
GWH 230-III, hot-dip galvanized	F	65,-	50,-	115,-
GWH 320-I, hot-dip galvanized	F	29,-	50,-	79,-
GWH 320-II, hot-dip galvanized	F	48,-	50,-	98,-
GWH 320-III, hot-dip galvanized	F	72,-	50,-	122,-

Tilting Canister Stand Type KAH	Category	Price	Freight charges	Price including freight charges
KAH-5, galvanized	A	96,-	50,-	146,-
KAH-25, galvanized	A	109,-	50,-	159,-
KAH-60, galvanized	A	140,-	50,-	190,-

Spill Tray for Canisters/Small Cans Type KGW	Category	Price	Freight charges	Price including freight charges
KGW 1, galvanized	B	92,-	50,-	142,-
KGW 1 V4A, stainless steel 1.4571	B	280,-	50,-	330,-
KGW 2, galvanized	B	96,-	50,-	146,-
KGW 2 V4A, stainless steel 1.4571	B	322,-	50,-	372,-
KGW 3, galvanized	B	100,-	50,-	150,-
KGW 3 V4A, stainless steel 1.4571	B	400,-	50,-	450,-
KGW 4, galvanized	B	117,-	123,-	240,-
KGW 4 V4A, stainless steel 1.4571	B	472,-	123,-	595,-
KGW 5, galvanized	B	161,-	123,-	284,-
KGW 5 V4A, stainless steel 1.4571	B	614,-	123,-	737,-

Spill Tray for Canisters/Small Cans Type KGW/M	Category	Price	Freight charges	Price including freight charges
KGW 1/M, galvanized	B	129,-	50,-	179,-
KGW 1/M V4A, stainless steel 1.4571	B	421,-	50,-	471,-
KGW 2/M, galvanized	B	137,-	50,-	187,-
KGW 2/M V4A, stainless steel 1.4571	B	485,-	50,-	535,-
KGW 3/M, galvanized	B	157,-	50,-	207,-
KGW 3/M V4A, stainless steel 1.4571	B	610,-	50,-	660,-

Prices in EUR, valid EXW DE-46354 Südlohn, DE-38820 Halberstadt, unpacked
Freight charges valid CPT Slovenia, islands and oversea territories excluded

Price List 0726 en-SI

Environment / Storage



Spill Tray for Canisters/Small Cans Type KGW/M	Category	Price	Freight charges	Price including freight charges
KGW 4/M, galvanized	B	182,-	123,-	305,-
KGW 4/M V4A, stainless steel 1.4571	B	730,-	123,-	853,-
KGW 5/M, galvanized	B	235,-	123,-	358,-
KGW 5/M V4A, stainless steel 1.4571	B	962,-	123,-	1085,-

Spill Tray for Canisters/Small Cans on Pallets Type KGW-P	Category	Price	Freight charges	Price including freight charges
KGW-P 1, galvanized	B	98,-	50,-	148,-
KGW-P 1 V4A, stainless steel 1.4571	B	276,-	50,-	326,-
KGW-P 2, galvanized	B	147,-	50,-	197,-
KGW-P 2 V4A, stainless steel 1.4571	B	396,-	50,-	446,-
KGW-P 3, galvanized	B	185,-	123,-	308,-
KGW-P 3 V4A, stainless steel 1.4571	B	607,-	50,-	657,-
KGW-P 4, galvanized	B	175,-	50,-	225,-
KGW-P 4 V4A, stainless steel 1.4571	B	466,-	50,-	516,-

Spill Tray for Canisters/Small Cans on Pallets Type KGW-P/M	Category	Price	Freight charges	Price including freight charges
KGW-P 1/M, galvanized	B	142,-	50,-	192,-
KGW-P 1/M V4A, stainless steel 1.4571	B	399,-	50,-	449,-
KGW-P 2/M, galvanized	B	218,-	50,-	268,-
KGW-P 2/M V4A, stainless steel 1.4571	B	579,-	50,-	629,-
KGW-P 3/M, galvanized	B	265,-	123,-	388,-
KGW-P 3/M V4A, stainless steel 1.4571	B	895,-	123,-	1018,-
KGW-P 4/M, galvanized	B	250,-	123,-	373,-
KGW-P 4/M V4A, stainless steel 1.4571	B	719,-	50,-	769,-

Diesel Filling Point Type KPS	Category	Price	Freight charges	Price including freight charges
KPS 1, painted	B	2966,-	on request	on request
KPS 2, painted	B	3854,-	on request	on request
KPS 3, painted	B	5432,-	on request	on request

Polyethylene Sump Tray for Pallets Type KWP-P	Category	Price	Freight charges	Price including freight charges
KWP-P 20, made of robust polyethylene	B	48,-	50,-	98,-
Deck with Punched Holes LR-PE 20, robust polyethylene, black	B	64,-	14,-	78,-
KWP-P 30, made of robust polyethylene	B	58,-	50,-	108,-
Deck with Punched Holes LR-PE 30, robust polyethylene, black	B	66,-	14,-	80,-
KWP-P 40, made of robust polyethylene	B	65,-	50,-	115,-
Deck with Punched Holes LR-PE 40, robust polyethylene, black	B	70,-	14,-	84,-
KWP-P 60, made of robust polyethylene	B	103,-	50,-	153,-
Deck with punched holes LR-PE 60, robust polyethylene, black	B	73,-	14,-	87,-
KWP-P 100, made of robust polyethylene	B	117,-	123,-	240,-
Deck with punched holes LR-PE 100, robust polyethylene, black	B	90,-	16,-	106,-

Mobile Sump Tray with Perforated Panel Type LPW	Category	Price	Freight charges	Price including freight charges
LPW 60-1, painted	B	627,-	123,-	750,-
Tool Deposit	B	32,-	16,-	48,-

Prices in EUR, valid EXW DE-46354 Südlohn, DE-38820 Halberstadt, unpacked
Freight charges valid CPT Slovenia, islands and oversea territories excluded

Price List 0726 en-SI

Environment / Storage



Mobile Sump Tray with Perforated Panel Type LPW	Category	Price	Freight charges	Price including freight charges
Drip Tray	B	50,-	16,-	66,-
LPW 60-1, hot-dip galvanized	B	645,-	123,-	768,-
Tool Deposit	B	32,-	16,-	48,-
Drip Tray	B	50,-	16,-	66,-
LPW 60-2, painted	B	640,-	123,-	763,-
Tool Deposit	B	32,-	16,-	48,-
Drip Tray	B	50,-	16,-	66,-
LPW 60-2, hot-dip galvanized	B	661,-	123,-	784,-
Tool Deposit	B	32,-	16,-	48,-
Drip Tray	B	50,-	16,-	66,-
LPW 60-3, painted	B	646,-	123,-	769,-
Tool Deposit	B	32,-	16,-	48,-
Drip Tray	B	50,-	16,-	66,-
LPW 60-3, hot-dip galvanized	B	667,-	123,-	790,-
Tool Deposit	B	32,-	16,-	48,-
Drip Tray	B	50,-	16,-	66,-
LPW 200-1, painted	B	822,-	180,-	1002,-
Tool Deposit	B	32,-	16,-	48,-
Drip Tray	B	50,-	16,-	66,-
LPW 200-1, hot-dip galvanized	B	856,-	180,-	1036,-
Tool Deposit	B	32,-	16,-	48,-
Drip Tray	B	50,-	16,-	66,-
LPW 200-2, painted	B	863,-	180,-	1043,-
Tool Deposit	B	32,-	16,-	48,-
Drip Tray	B	50,-	16,-	66,-
LPW 200-2, hot-dip galvanized	B	899,-	180,-	1079,-
Tool Deposit	B	32,-	16,-	48,-
Drip Tray	B	50,-	16,-	66,-
LPW 200-3, painted	B	878,-	180,-	1058,-
Tool Deposit	B	32,-	16,-	48,-
Drip Tray	B	50,-	16,-	66,-
LPW 200-3, hot-dip galvanized	B	914,-	180,-	1094,-
Tool Deposit	B	32,-	16,-	48,-
Drip Tray	B	50,-	16,-	66,-
LPW 200-4, painted	B	1055,-	180,-	1235,-
LPW 200-4, hot-dip galvanized	B	1086,-	180,-	1266,-

Modular Sump Tray Type MAW	Category	Price	Freight charges	Price including freight charges
MAW, painted	B	336,-	123,-	459,-
MAW, hot-dip galvanized	B	366,-	123,-	489,-
Element No. 1: grid grate incl. supportS, painted	B	78,-	18,-	96,-
Element No. 2: galvanized handle + castors	B	138,-	19,-	157,-
Element No. 3: runners, painted	B	103,-	15,-	118,-
Element No. 3: runners, hot-dip galvanized	B	66,-	15,-	81,-
Element No. 6: surround, galvanized	B	601,-	123,-	724,-

Prices in EUR, valid EXW DE-46354 Südlohn, DE-38820 Halberstadt, unpacked
 Freight charges valid CPT Slovenia, islands and oversea territories excluded

Price List 0726 en-SI

Environment / Storage



Spline Sump Type PW	Category	Price	Freight charges	Price including freight charges
PW 200-2, painted	B	245,-	123,-	368,-
PW 200-2, hot-dip galvanized	B	235,-	123,-	358,-
PW 200-4, painted	B	271,-	123,-	394,-
PW 200-4, hot-dip galvanized	B	261,-	123,-	384,-
PW 400-4, painted	B	349,-	123,-	472,-
PW 400-4, hot-dip galvanized	B	332,-	123,-	455,-

Spline Sump Type PWE	Category	Price	Freight charges	Price including freight charges
PWE 200-2, painted	B	217,-	123,-	340,-
PWE 200-2, hot-dip galvanized	B	207,-	123,-	330,-
PWE 200-4, painted	B	236,-	123,-	359,-
PWE 200-4, hot-dip galvanized	B	228,-	123,-	351,-
PWE 400-4, painted	B	288,-	123,-	411,-
PWE 400-4, hot-dip galvanized	B	278,-	123,-	401,-

Hazardous Materials Cabinet with Roller Shutter Door Type RSG	Category	Price	Freight charges	Price including freight charges
RSG-1, painted	B	1906,-	180,-	2086,-
Set of 4 Feet, height adjustable	B	80,-	9,-	89,-
RSG-2, painted	B	1920,-	180,-	2100,-
Set of 4 Feet, height adjustable	B	80,-	9,-	89,-
RSG-3, painted	B	1971,-	180,-	2151,-
Set of 4 Feet, height adjustable	B	80,-	9,-	89,-
RSG-4, painted	B	2109,-	261,-	2370,-
Set of 4 Feet, height adjustable	B	80,-	9,-	89,-

Shelf Sump with Polyethylene Inlay Type RW PE	Category	Price	Freight charges	Price including freight charges
RW 1800 PE, painted	B	1044,-	180,-	1224,-
RW 1800 PE, hot-dip galvanized	B	1100,-	180,-	1280,-
RW 2200-1 PE, painted	B	1089,-	180,-	1269,-
RW 2200-1 PE, hot-dip galvanized	B	1147,-	180,-	1327,-
RW 2200-2 PE, painted	B	1276,-	180,-	1456,-
RW 2200-2 PE, hot-dip galvanized	B	1341,-	180,-	1521,-
RW 2700-1 PE, painted	B	1108,-	233,-	1341,-
RW 2700-1 PE, hot-dip galvanized	B	1192,-	233,-	1425,-
RW 2700-2 PE, painted	B	1266,-	233,-	1499,-
RW 2700-2 PE, hot-dip galvanized	B	1365,-	233,-	1598,-
RW 2700-3 PE, painted	B	1466,-	233,-	1699,-
RW 2700-3 PE, hot-dip galvanized	B	1592,-	233,-	1825,-
RW 3300-1 PE, painted	B	1417,-	233,-	1650,-
RW 3300-1 PE, hot-dip galvanized	B	1510,-	233,-	1743,-
RW 3300-2 PE, painted	B	1535,-	233,-	1768,-
RW 3300-2 PE, hot-dip galvanized	B	1637,-	233,-	1870,-
RW 3300-3 PE, painted	B	1738,-	313,-	2051,-
RW 3300-3 PE, hot-dip galvanized	B	1850,-	313,-	2163,-

Prices in EUR, valid EXW DE-46354 Südlohn, DE-38820 Halberstadt, unpacked
Freight charges valid CPT Slovenia, islands and oversea territories excluded

Price List 0726 en-SI

Environment / Storage



Shelf Sump Type RW	Category	Price	Freight charges	Price including freight charges
RW 1800, painted	B	507,-	123,-	630,-
RW 1800, hot-dip galvanized	B	561,-	123,-	684,-
RW 2200-1, painted	B	519,-	123,-	642,-
RW 2200-1, hot-dip galvanized	B	577,-	123,-	700,-
RW 2200-2, painted	B	532,-	180,-	712,-
RW 2200-2, hot-dip galvanized	B	597,-	180,-	777,-
RW 2700-1, painted	B	528,-	233,-	761,-
RW 2700-1, hot-dip galvanized	B	611,-	233,-	844,-
RW 2700-2, painted	B	607,-	233,-	840,-
RW 2700-2, hot-dip galvanized	B	706,-	233,-	939,-
RW 2700-3, painted	B	657,-	233,-	890,-
RW 2700-3, hot-dip galvanized	B	781,-	233,-	1014,-
RW 3300-1, painted	B	680,-	233,-	913,-
RW 3300-1, hot-dip galvanized	B	774,-	233,-	1007,-
RW 3300-2, painted	B	748,-	233,-	981,-
RW 3300-2, hot-dip galvanized	B	850,-	233,-	1083,-
RW 3300-3, painted	B	834,-	233,-	1067,-
RW 3300-3, hot-dip galvanized	B	945,-	233,-	1178,-

Shelf Sump with Polyethylene Inlay Type RW-GR PE	Category	Price	Freight charges	Price including freight charges
RW-GR 1800 PE, painted	B	1178,-	180,-	1358,-
RW-GR 1800 PE, hot-dip galvanized	B	1231,-	180,-	1411,-
RW-GR 2200-1 PE, painted	B	1255,-	180,-	1435,-
RW-GR 2200-1 PE, hot-dip galvanized	B	1313,-	180,-	1493,-
RW-GR 2200-2 PE, painted	B	1443,-	261,-	1704,-
RW-GR 2200-2 PE, hot-dip galvanized	B	1505,-	261,-	1766,-
RW-GR 2700-1 PE, painted	B	1313,-	313,-	1626,-
RW-GR 2700-1 PE, hot-dip galvanized	B	1395,-	313,-	1708,-
RW-GR 2700-2 PE, painted	B	1469,-	313,-	1782,-
RW-GR 2700-2 PE, hot-dip galvanized	B	1570,-	313,-	1883,-
RW-GR 2700-3 PE, painted	B	1671,-	313,-	1984,-
RW-GR 2700-3 PE, hot-dip galvanized	B	1776,-	313,-	2089,-
RW-GR 3300-1 PE, painted	B	1790,-	313,-	2103,-
RW-GR 3300-1 PE, hot-dip galvanized	B	1882,-	313,-	2195,-
RW-GR 3300-2 PE, painted	B	1906,-	313,-	2219,-
RW-GR 3300-2 PE, hot-dip galvanized	B	2018,-	313,-	2331,-
RW-GR 3300-3 PE, painted	B	2110,-	386,-	2496,-
RW-GR 3300-3 PE, hot-dip galvanized	B	2222,-	386,-	2608,-
RW-GR 3600-3 PE, painted	B	2428,-	396,-	2824,-
RW-GR 3600-3 PE, hot-dip galvanized	B	2580,-	396,-	2976,-

Shelf Sump Type RW-GR	Category	Price	Freight charges	Price including freight charges
RW-GR 1800, painted	B	641,-	180,-	821,-
RW-GR 1800, hot-dip galvanized	B	696,-	180,-	876,-
RW-GR 2200-1, painted	B	686,-	180,-	866,-

Prices in EUR, valid EXW DE-46354 Südlohn, DE-38820 Halberstadt, unpacked
 Freight charges valid CPT Slovenia, islands and oversea territories excluded

Price List 0726 en-SI

Environment / Storage



Shelf Sump Type RW-GR	Category	Price	Freight charges	Price including freight charges
RW-GR 2200-1, hot-dip galvanized	B	745,-	180,-	925,-
RW-GR 2200-2, painted	B	700,-	261,-	961,-
RW-GR 2200-2, hot-dip galvanized	B	761,-	261,-	1022,-
RW-GR 2700-1, painted	B	732,-	233,-	965,-
RW-GR 2700-1, hot-dip galvanized	B	815,-	313,-	1128,-
RW-GR 2700-2, painted	B	811,-	313,-	1124,-
RW-GR 2700-2, hot-dip galvanized	B	911,-	313,-	1224,-
RW-GR 2700-3, painted	B	861,-	313,-	1174,-
RW-GR 2700-3, hot-dip galvanized	B	966,-	313,-	1279,-
RW-GR 3300-1, painted	B	1052,-	313,-	1365,-
RW-GR 3300-1, hot-dip galvanized	B	1146,-	313,-	1459,-
RW-GR 3300-2, painted	B	1119,-	313,-	1432,-
RW-GR 3300-2, hot-dip galvanized	B	1230,-	313,-	1543,-
RW-GR 3300-3, painted	B	1206,-	313,-	1519,-
RW-GR 3300-3, hot-dip galvanized	B	1317,-	313,-	1630,-
RW-GR 3600-3, painted	B	1330,-	313,-	1643,-
RW-GR 3600-3, hot-dip galvanized	B	1483,-	313,-	1796,-

Safety Cabinet Type SIW	Category	Price	Freight charges	Price including freight charges
SIW 1005	B	596,-	123,-	719,-
SIW 2005	B	751,-	180,-	931,-

Diesel Filling Point Type TAW	Category	Price	Freight charges	Price including freight charges
TAW 1, painted	B	2448,-	on request	on request
TAW 2, painted	B	3195,-	on request	on request
TAW 3, painted	B	4603,-	on request	on request

Environmental Shelf Type UR	Category	Price	Freight charges	Price including freight charges
UR-G 2200, painted	B	1827,-	315,-	2142,-
Grid Set, hot-dip galvanized	B	198,-	123,-	321,-
Crash Guard	B	75,-	9,-	84,-
UR-G 2700, painted	B	1968,-	315,-	2283,-
Grid Set, hot-dip galvanized	B	245,-	123,-	368,-
Crash Guard	B	75,-	9,-	84,-
UR-G 3300, painted	B	2749,-	386,-	3135,-
Grid Set, hot-dip galvanized	B	297,-	123,-	420,-
Crash Guard	B	75,-	9,-	84,-
UR-A 2200, painted	B	1395,-	315,-	1710,-
Grid Set, hot-dip galvanized	B	198,-	123,-	321,-
Crash Guard	B	75,-	9,-	84,-
UR-A 2700, painted	B	1535,-	315,-	1850,-
Grid Set, hot-dip galvanized	B	245,-	123,-	368,-
Crash Guard	B	75,-	9,-	84,-
UR-A 3300, painted	B	2317,-	386,-	2703,-
Grid Set, hot-dip galvanized	B	297,-	123,-	420,-

Prices in EUR, valid EXW DE-46354 Südlohn, DE-38820 Halberstadt, unpacked
 Freight charges valid CPT Slovenia, islands and oversea territories excluded

Price List 0726 en-SI

Environment / Storage



Environmental Shelve Type UR	Category	Price	Freight charges	Price including freight charges
Crash Guard	B	75,-	9,-	84,-

Stainless Steel Sump Tray Type VAW	Category	Price	Freight charges	Price including freight charges
VAW-1, stainless steel 1.4571	B	990,-	123,-	1113,-
Grid, stainless steel 1.4571	B	494,-	14,-	508,-
Grid, hot-dip galvanized	B	71,-	14,-	85,-
VAW-2, stainless steel 1.4571	B	1079,-	123,-	1202,-
Grid, stainless steel 1.4571	B	731,-	16,-	747,-
Grid, hot-dip galvanized	B	95,-	38,-	133,-
VAW-4/A, stainless steel 1.4571	B	1236,-	123,-	1359,-
Grid, stainless steel 1.4571	B	1061,-	22,-	1083,-
Grid, hot-dip galvanized	B	124,-	22,-	146,-
VAW-4/B, stainless steel 1.4571	B	1511,-	123,-	1634,-
Grid, stainless steel 1.4571	B	1461,-	27,-	1488,-
Grid, hot-dip galvanized	B	169,-	27,-	196,-
VAW 1000 (Stainless Steel Grid), stainless steel 1.4571	B	3909,-	208,-	4117,-
VAW 1000 (Hot-dip Galvanized Grid), stainless steel 1.4571	B	2868,-	208,-	3076,-
VAW 1000-2 (Stainless Steel Grid), stainless steel 1.4571	B	5472,-	356,-	5828,-
VAW 1000-2 (Hot-dip Galvanized Grid), stainless steel 1.4571	B	3561,-	356,-	3917,-

Heating Chamber Type WK	Category	Price	Freight charges	Price including freight charges
WK 29-2 E65, painted	C	30688,-	on request	on request
WK 29-2 E85, painted	C	30859,-	on request	on request
WK 57-2 E65, painted	C	43080,-	on request	on request
WK 57-2 E85, painted	C	45540,-	on request	on request

Sump Tray Type WM	Category	Price	Freight charges	Price including freight charges
WM-2/200, hot-dip galvanized	B	290,-	123,-	413,-
Drum Support FA 60-1, hot-dip galvanized	B	109,-	15,-	124,-
Drum Support FA 60-2, hot-dip galvanized	B	118,-	18,-	136,-
Drum Support FA 60-3, hot-dip galvanized	B	138,-	21,-	159,-
Drum Support FA 200-1, hot-dip galvanized	B	118,-	15,-	133,-
Can Shelf Type GR-A, galvanized	B	138,-	50,-	188,-
Can Shelf Type GR-B, galvanized	B	138,-	50,-	188,-
Can Shelf Type GR-C, galvanized	B	138,-	50,-	188,-
WM-4/200, hot-dip galvanized	B	330,-	123,-	453,-
Drum Support FA 60-1, hot-dip galvanized	B	109,-	15,-	124,-
Drum Support FA 60-2, hot-dip galvanized	B	118,-	18,-	136,-
Drum Support FA 60-3, hot-dip galvanized	B	138,-	21,-	159,-
Drum Support FA 200-1, hot-dip galvanized	B	118,-	15,-	133,-
Drum Support FA 200-2, hot-dip galvanized	B	138,-	22,-	160,-
Can Shelf Type GR-A, galvanized	B	138,-	50,-	188,-
Can Shelf Type GR-B, galvanized	B	138,-	50,-	188,-
Can Shelf Type GR-C, galvanized	B	138,-	50,-	188,-
WM-4/400, hot-dip galvanized	B	396,-	180,-	576,-

Prices in EUR, valid EXW DE-46354 Südlohn, DE-38820 Halberstadt, unpacked
Freight charges valid CPT Slovenia, islands and oversea territories excluded

Price List 0726 en-SI

Environment / Storage



Sump Tray Type WO	Category	Price	Freight charges	Price including freight charges
WO-2/200, hot-dip galvanized	B	221,-	123,-	344,-
WO-4/200, hot-dip galvanized	B	240,-	123,-	363,-
WO-4/400, hot-dip galvanized	B	309,-	123,-	432,-
Polyethylene Sump Pallet Type WP	Category	Price	Freight charges	Price including freight charges
WP 1/11, made of robust polyethylene	B	1089,-	123,-	1212,-
WP 2/11, made of robust polyethylene	B	1377,-	123,-	1500,-
Dispensing Tray VB 2, robust polyethylene, blue	B	158,-	50,-	208,-
Polyethylene Sump Pallet Type WPA-PE	Category	Price	Freight charges	Price including freight charges
WPA-PE 2/2, made of robust polyethylene	B	324,-	123,-	447,-
WPA-PE 4/2, made of robust polyethylene	B	512,-	123,-	635,-
Polyethylene Sump Pallet Type WP-PE	Category	Price	Freight charges	Price including freight charges
WP-PE 1/11, made of robust polyethylene	B	1179,-	123,-	1302,-
Dispensing Tray VB 1, robust polyethylene, blue	B	169,-	50,-	219,-
WP-PE 2/11, made of robust polyethylene	B	1560,-	233,-	1793,-
Dispensing Tray VB 2, robust polyethylene, blue	B	158,-	50,-	208,-
WP-PE 2/2, made of robust polyethylene	B	301,-	123,-	424,-
WP-PE 4/2, made of robust polyethylene	B	469,-	123,-	592,-
WP-PE 4/4, made of robust polyethylene	B	487,-	123,-	610,-
WP-PE 8/11, made of robust polyethylene	B	1560,-	233,-	1793,-
Mobile Polyethylene Sump Tray Type WPT	Category	Price	Freight charges	Price including freight charges
WPT 230, made of robust polyethylene	B	538,-	123,-	661,-

Prices in EUR, valid EXW DE-46354 Südlohn, DE-38820 Halberstadt, unpacked
Freight charges valid CPT Slovenia, islands and oversea territories excluded

Price List 0726 en-SI Hazardous Materials Containers

Fluorescent Tube Box Type AL-D	Category	Price	Freight charges	Price including freight charges
AL-D 150, aluminium	C	518,-	123,-	641,-
AL-D 200, aluminium	C	571,-	123,-	694,-
Collecting Container Type ASB	Category	Price	Freight charges	Price including freight charges
ASB 250, hot-dip galvanized	C	2038,-	261,-	2299,-
ASB 450-I, hot-dip galvanized	C	2155,-	261,-	2416,-
Special Waste Container Type ASK	Category	Price	Freight charges	Price including freight charges
ASK 540-4, hot-dip galvanized	C	on request	on request	on request
Duo-Container Type DC	Category	Price	Freight charges	Price including freight charges
DC 450, hot-dip galvanized	C	2347,-	on request	on request
Stainless steel strainer	D	118,-	9,-	127,-
Wing nut spanner for M12, hot-dip galvanized	F	35,-	15,-	50,-
DC 1000, hot-dip galvanized	C	2493,-	on request	on request
Stainless steel strainer	D	118,-	9,-	127,-
Wing nut spanner for M12, hot-dip galvanized	F	35,-	15,-	50,-
Lithium-Ion Storage Container Type LIL	Category	Price	Freight charges	Price including freight charges
LIL 30, hot-dip galvanized	B	1937,-	123,-	2060,-
LIL 90, hot-dip galvanized	B	2816,-	180,-	2996,-
Castor Set, polyamide, Load capacity 1050 kg / castor set	A	156,-	15,-	171,-
LIL 220, hot-dip galvanized	B	4864,-	261,-	5125,-
Castor Set, polyamide, Load capacity 1050 kg / castor set	A	156,-	15,-	171,-
LIL 280, hot-dip galvanized	B	5884,-	261,-	6145,-
Castor Set, polyamide, Load capacity 1050 kg / castor set	A	156,-	15,-	171,-
LIL 340, hot-dip galvanized	B	6792,-	261,-	7053,-
Castor Set, polyamide, Load capacity 1050 kg / castor set	A	156,-	15,-	171,-
MobiCont Type M 800	Category	Price	Freight charges	Price including freight charges
M 800, painted	C	1389,-	261,-	1650,-
Level Indicator	C	220,-	9,-	229,-
Funnel for filling, PP	D	68,-	9,-	77,-
Filling/Extraction lid	C	68,-	9,-	77,-
Lid, galvanized, without a lock	C	195,-	15,-	210,-
Lid, galvanized, with square lock	C	242,-	18,-	260,-
Lid, galvanized, with cylinder lock	C	242,-	18,-	260,-
Castor Set, polyamide, Load capacity 1350 kg / castor set	A	192,-	15,-	207,-
Hand Pump K 10 C, connects to drum thread, suitable for fuels and heating fuel	C	95,-	14,-	109,-
Hose Kit (1.5 m) for Hand Pump Type K 10 C, suitable for diesel and fuel	C	68,-	14,-	82,-
Hose Kit (3 m) for Hand Pump Type K 10 C, suitable for diesel and fuel	C	96,-	15,-	111,-

Prices in EUR, valid EXW DE-46354 Südlohn, DE-38820 Halberstadt, unpacked
Freight charges valid CPT Slovenia, islands and oversea territories excluded

Price List 0726 en-SI

Hazardous Materials Containers



MobiCont Type M 800	Category	Price	Freight charges	Price including freight charges
Hose Kit (4 m) for Hand Pump Type K 10 C, suitable for diesel and fuel	C	109,-	15,-	124,-
Electric Pump TecPump 400 DC 12V	C	510,-	15,-	525,-
Electric Pump TecPump 400 DC 24V	C	510,-	15,-	525,-
Electric Pump TecPump 600 AC 230V	C	510,-	15,-	525,-
M 800, hot-dip galvanized	C	1483,-	261,-	1744,-
Level Indicator	C	220,-	9,-	229,-
Funnel for filling, PP	D	68,-	9,-	77,-
Filling/Extraction lid	C	68,-	9,-	77,-
Lid, galvanized, without a lock	C	195,-	15,-	210,-
Lid, galvanized, with square lock	C	242,-	18,-	260,-
Lid, galvanized, with cylinder lock	C	242,-	18,-	260,-
Castor Set, polyamide, Load capacity 1350 kg / castor set	A	192,-	15,-	207,-
Hand Pump K 10 C, connects to drum thread, suitable for fuels and heating fuel	C	95,-	14,-	109,-
Hose Kit (1.5 m) for Hand Pump Type K 10 C, suitable for diesel and fuel	C	68,-	14,-	82,-
Hose Kit (3 m) for Hand Pump Type K 10 C, suitable for diesel and fuel	C	96,-	15,-	111,-
Hose Kit (4 m) for Hand Pump Type K 10 C, suitable for diesel and fuel	C	109,-	15,-	124,-
Electric Pump TecPump 400 DC 12V	C	510,-	15,-	525,-
Electric Pump TecPump 400 DC 24V	C	510,-	15,-	525,-
Electric Pump TecPump 600 AC 230V	C	510,-	15,-	525,-
MobiCont Type MD	Category	Price	Freight charges	Price including freight charges
MD 800, painted	C	1934,-	261,-	2195,-
Level Indicator	C	220,-	9,-	229,-
Hand Pump K 10 C, connects to drum thread, suitable for fuels and heating fuel	C	95,-	14,-	109,-
Hose Kit (1.5 m) for Hand Pump Type K 10 C, suitable for diesel and fuel	C	68,-	14,-	82,-
Hose Kit (3 m) for Hand Pump Type K 10 C, suitable for diesel and fuel	C	96,-	15,-	111,-
Hose Kit (4 m) for Hand Pump Type K 10 C, suitable for diesel and fuel	C	109,-	15,-	124,-
Electric Pump TecPump 400 DC 12V	C	510,-	15,-	525,-
Electric Pump TecPump 400 DC 24V	C	510,-	15,-	525,-
Electric Pump TecPump 600 AC 230V	C	510,-	15,-	525,-
MD 800, hot-dip galvanized	C	2025,-	261,-	2286,-
Level Indicator	C	220,-	9,-	229,-
Hand Pump K 10 C, connects to drum thread, suitable for fuels and heating fuel	C	95,-	14,-	109,-
Hose Kit (1.5 m) for Hand Pump Type K 10 C, suitable for diesel and fuel	C	68,-	14,-	82,-
Hose Kit (3 m) for Hand Pump Type K 10 C, suitable for diesel and fuel	C	96,-	15,-	111,-
Hose Kit (4 m) for Hand Pump Type K 10 C, suitable for diesel and fuel	C	109,-	15,-	124,-
Electric Pump TecPump 400 DC 12V	C	510,-	15,-	525,-
Electric Pump TecPump 400 DC 24V	C	510,-	15,-	525,-
Electric Pump TecPump 600 AC 230V	C	510,-	15,-	525,-
MobiCont Type MO	Category	Price	Freight charges	Price including freight charges
MO 800, painted	C	on request	on request	on request
Level Indicator	C	220,-	9,-	229,-
MO 800, hot-dip galvanized	C	on request	on request	on request
Level Indicator	C	220,-	9,-	229,-

Prices in EUR, valid EXW DE-46354 Südlohn, DE-38820 Halberstadt, unpacked
Freight charges valid CPT Slovenia, islands and oversea territories excluded

Price List 0726 en-SI

Hazardous Materials Containers



Fuel Container Type MT	Category	Price	Freight charges	Price including freight charges
MT 450, hot-dip galvanized	C	2223,-	261,-	2484,-
Level Indicator	C	220,-	9,-	229,-
Hand Pump K 10 C, connects to drum thread, suitable for fuels and heating fuel	C	95,-	14,-	109,-
Digital Flow Counter FMT 3 with screwed joints	C	320,-	9,-	329,-
Electric Pump TecPump 400 DC 12V	C	510,-	12,-	522,-
Electric Pump TecPump 400 DC 24V	C	510,-	12,-	522,-
Electric Pump TecPump 600 AC 230V	C	510,-	12,-	522,-
Counter Z 400, Retrofit Kit for Electric Pumps TecPump 400 DC 12V, 400 DC 24V and 600 AC 230V	C	159,-	9,-	168,-
MT 600, hot-dip galvanized	C	2644,-	261,-	2905,-
Level Indicator	C	220,-	9,-	229,-
Hand Pump K 10 C, connects to drum thread, suitable for fuels and heating fuel	C	95,-	14,-	109,-
Digital Flow Counter FMT 3 with screwed joints	C	320,-	9,-	329,-
Electric Pump TecPump 400 DC 12V	C	510,-	12,-	522,-
Electric Pump TecPump 400 DC 24V	C	510,-	12,-	522,-
Electric Pump TecPump 600 AC 230V	C	510,-	12,-	522,-
Counter Z 400, Retrofit Kit for Electric Pumps TecPump 400 DC 12V, 400 DC 24V and 600 AC 230V	C	159,-	9,-	168,-
MT 1000, hot-dip galvanized	C	2858,-	333,-	3191,-
Level Indicator	C	220,-	9,-	229,-
Hand Pump K 10 C, connects to drum thread, suitable for fuels and heating fuel	C	95,-	14,-	109,-
Digital Flow Counter FMT 3 with screwed joints	C	320,-	9,-	329,-
Electric Pump TecPump 400 DC 12V	C	510,-	12,-	522,-
Electric Pump TecPump 400 DC 24V	C	510,-	12,-	522,-
Electric Pump TecPump 600 AC 230V	C	510,-	12,-	522,-
Counter Z 400, Retrofit Kit for Electric Pumps TecPump 400 DC 12V, 400 DC 24V and 600 AC 230V	C	159,-	9,-	168,-
MobiCont Type MW	Category	Price	Freight charges	Price including freight charges
MW 800, painted	C	1783,-	261,-	2044,-
Level Indicator	C	220,-	9,-	229,-
Filling coupling	C	53,-	8,-	61,-
Tank heating, 220 W	C	384,-	12,-	396,-
Tank fitting	B	67,-	9,-	76,-
Anti-siphon valve	D	71,-	8,-	79,-
Aeration/Vent valve	C	27,-	8,-	35,-
MW 800, hot-dip galvanized	C	1877,-	261,-	2138,-
Level Indicator	C	220,-	9,-	229,-
Filling coupling	C	53,-	8,-	61,-
Tank heating, 220 W	C	384,-	12,-	396,-
Tank fitting	B	67,-	9,-	76,-
Anti-siphon valve	D	71,-	8,-	79,-
Aeration/Vent valve	C	27,-	8,-	35,-
Special Waste Container Type SAF	Category	Price	Freight charges	Price including freight charges
SAF 450, hot-dip galvanized	C	1136,-	on request	on request
SAF 600, hot-dip galvanized	C	1136,-	on request	on request
SAF 1000, hot-dip galvanized	C	1136,-	on request	on request

Prices in EUR, valid EXW DE-46354 Südlohn, DE-38820 Halberstadt, unpacked
Freight charges valid CPT Slovenia, islands and oversea territories excluded

Price List 0726 en-SI

Hazardous Materials Containers



Large Salvage Packaging Type SAG	Category	Price	Freight charges	Price including freight charges
SAG 800, hot-dip galvanized	C	1141,-	261,-	1402,-
SAG 1500, hot-dip galvanized	C	2151,-	on request	on request
Polyethylene sacks, 25 pieces on roll	C	187,-	41,-	228,-
SAG 2100, hot-dip galvanized	C	2257,-	on request	on request
Polyethylene sacks, 25 pieces on roll	C	187,-	41,-	228,-
SAG 2700, hot-dip galvanized	C	2331,-	on request	on request
Polyethylene sacks, 25 pieces on roll	C	187,-	41,-	228,-

Special Waste Container Type SAP	Category	Price	Freight charges	Price including freight charges
SAP 450, hot-dip galvanized	C	953,-	on request	on request
Polyethylene sacks, 50 pieces on roll - 0,085 mm	C	139,-	62,-	201,-
Polyethylene sacks, 50 pieces on roll - 0,16 mm	C	246,-	123,-	369,-
SAP 600, hot-dip galvanized	C	953,-	on request	on request
Polyethylene sacks, 50 pieces on roll - 0,085 mm	C	139,-	62,-	201,-
Polyethylene sacks, 50 pieces on roll - 0,16 mm	C	246,-	123,-	369,-
SAP 800, hot-dip galvanized	C	953,-	on request	on request
Polyethylene sacks, 50 pieces on roll - 0,085 mm	C	139,-	62,-	201,-
Polyethylene sacks, 50 pieces on roll - 0,16 mm	C	246,-	123,-	369,-

Special Waste Container Type SAP-1	Category	Price	Freight charges	Price including freight charges
SAP 450-1, hot-dip galvanized	C	891,-	on request	on request
Polyethylene sacks, 50 pieces on roll - 0,085 mm	C	139,-	62,-	201,-
Polyethylene sacks, 50 pieces on roll - 0,16 mm	C	246,-	123,-	369,-
SAP 600-1, hot-dip galvanized	C	891,-	on request	on request
Polyethylene sacks, 50 pieces on roll - 0,085 mm	C	139,-	62,-	201,-
Polyethylene sacks, 50 pieces on roll - 0,16 mm	C	246,-	123,-	369,-
SAP 800-1, hot-dip galvanized	C	891,-	on request	on request
Polyethylene sacks, 50 pieces on roll - 0,085 mm	C	139,-	62,-	201,-
Polyethylene sacks, 50 pieces on roll - 0,16 mm	C	246,-	123,-	369,-
SAP 800-3, hot-dip galvanized	C	874,-	on request	on request
Polyethylene sacks, 50 pieces on roll - 0,085 mm	C	139,-	62,-	201,-
Polyethylene sacks, 50 pieces on roll - 0,16 mm	C	246,-	123,-	369,-

Used Battery Container Type SAP 600 K	Category	Price	Freight charges	Price including freight charges
SAP 600 K, hot-dip galvanized	C	1286,-	on request	on request

Used Battery Container Type SAP 601 K	Category	Price	Freight charges	Price including freight charges
SAP 601 K, hot-dip galvanized	C	1141,-	on request	on request

Special Waste Container Type SAS	Category	Price	Freight charges	Price including freight charges
SAS 800, hot-dip galvanized	C	963,-	on request	on request

Hazardous Materials Container Type SF	Category	Price	Freight charges	Price including freight charges
SF 240, hot-dip galvanized	C	on request	on request	on request

Prices in EUR, valid EXW DE-46354 Südlohn, DE-38820 Halberstadt, unpacked
 Freight charges valid CPT Slovenia, islands and oversea territories excluded

Price List 0726 en-SI

Hazardous Materials Containers



Fluorescent Tube Box Type SL	Category	Price	Freight charges	Price including freight charges
SL 150, painted	C	688,-	180,-	868,-
SL 150, hot-dip galvanized	C	822,-	180,-	1002,-
SL 200, painted	C	766,-	180,-	946,-
SL 200, hot-dip galvanized	C	902,-	261,-	1163,-
Fluorescent Tube Box Type SL-D	Category	Price	Freight charges	Price including freight charges
SL-D 150, painted	C	757,-	180,-	937,-
Removable Tray, galvanized	C	87,-	10,-	97,-
SL-D 150, hot-dip galvanized	C	880,-	180,-	1060,-
Removable Tray, galvanized	C	87,-	10,-	97,-
SL-D 200, painted	C	837,-	180,-	1017,-
Removable Tray, galvanized	C	87,-	10,-	97,-
SL-D 200, hot-dip galvanized	C	973,-	180,-	1153,-
Removable Tray, galvanized	C	87,-	10,-	97,-
Fluorescent Tube Box Type SL-N	Category	Price	Freight charges	Price including freight charges
SL-N 220, painted	C	861,-	180,-	1041,-
SL-N 220, hot-dip galvanized	C	1003,-	180,-	1183,-
Special Waste Container Type SP	Category	Price	Freight charges	Price including freight charges
SP 100, hot-dip galvanized	C	on request	on request	on request
SP 240, hot-dip galvanized	C	on request	on request	on request
Transport Box for Aerosol Cans Type STB	Category	Price	Freight charges	Price including freight charges
STB 1000, hot-dip galvanized	C	1158,-	on request	on request
Polyethylene sacks, 50 pieces on roll	C	192,-	62,-	254,-
Absorbent felt, 100 pieces	C	366,-	50,-	416,-

Prices in EUR, valid EXW DE-46354 Südlohn, DE-38820 Halberstadt, unpacked
Freight charges valid CPT Slovenia, islands and oversea territories excluded